

## Product Information

**PCA-M R410A Ceiling Suspended System**  
Standard Inverter Heat Pump  
(Single Phase)

Making a  
World of  
Difference

Mr.SUM.



The **PCA-M Standard Inverter** range is a ceiling suspended system that blends a host of outstanding features with a sophisticated streamlined design. Offering advanced control options and quiet operation, this range provides extreme flexibility and ease of installation whilst being cost effective.

### Key Features

- Flush to wall installation for concealment of service connections
- High / Low ceiling height modes
- Improved airflow control, including automatic air speed adjustment for greater comfort
- Replace Technology available
- New single fan chassis on 12.5 and 14kW models



# Air Conditioning

## Product Information

### PCA-M R410A Ceiling Suspended System Standard Inverter Heat Pump (Single Phase)

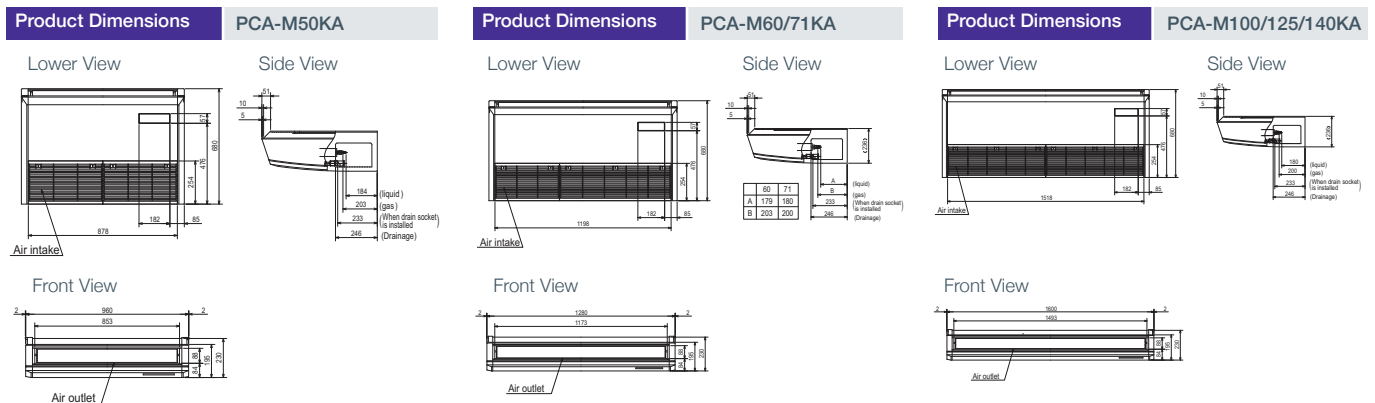
Making a  
World of  
Difference



PCA-M - INDOOR UNITS		PCA-M50KA	PCA-M60KA	PCA-M71KA	PCA-M100KA	PCA-M125KA	PCA-M140KA
CAPACITY (kW)	Heating (nominal)	5.5 (1.7-6.6)	6.9 (2.5-8.0)	7.9 (2.6-10.2)	11.2 (2.8-12.5)	13.5 (4.8-15.0)	15.0 (4.9-15.8)
	Cooling (nominal)	5.0 (2.3-5.6)	5.7 (2.3-6.3)	7.1 (2.8-8.1)	9.4 (3.7-10.6)	12.1 (5.6-13.0)	13.6 (5.8-14.1)
	Heating (UK)	4.62 (1.43-5.54)	5.8 (2.1-6.72)	6.63 (2.18-8.56)	9.63 (2.41-10.75)	11.61 (4.13-12.9)	12.9 (4.21-13.59)
	Cooling (UK)	4.9 (2.25-5.49)	5.58 (2.25-6.17)	6.95 (2.74-7.93)	8.55 (3.37-9.65)	11.01 (5.1-11.83)	12.38 (5.28-12.83)
SHF (nominal)	0.79	0.81	0.76	0.77	0.72	0.72	
COP / EER (nominal)	3.62 / 3.23	3.61 / 3.31	3.62 / 3.45	3.32 / 3.08	3.32 / 2.85	3.35 / 2.41	
SCOP (nsh) / SEER (nsc) (BS EN14825)	4.0 / 5.8	4.0 / 6.1	4.3 / 6.0	4.1 / 5.6	4.00(160.0%) / 5.26(210.2%)	3.93 (157.2%) / 5.13 (205.1%)	
ErP ENERGY EFFICIENCY CLASS	Heating/Cooling	A+ / A+	A+ / A++	A+ / A+	A+ / A+	N/A	N/A
AIRFLOW (l/s)	Lo-Mi1-Mi2-Hi	167-183-217-250	250-267-283-317	267-283-300-333	367-400-433-467	383-417-450-483	400-433-483-533
PIPE SIZE mm (in)	Gas/Liquid	12.7 (1/2") / 6.35 (1/4")	15.88 (5/8") / 6.35 (1/4")	15.88 (5/8") / 9.52 (3/8")	15.88 (5/8") / 9.52 (3/8")	15.88 (5/8") / 9.52 (3/8")	15.88 (5/8") / 9.52 (3/8")
SOUND PRESSURE LEVEL (dBA)	Lo-Mi1-Mi2-Hi	32-34-37-40	33-35-37-40	35-37-39-41	37-39-41-43	39-41-43-45	41-43-45-48
SOUND POWER LEVEL (dBA)		60	60	62	63	65	68
DIMENSIONS (mm)	Width x Depth x Height	960 x 680 x 230	1280 x 680 x 230	1280 x 680 x 230	1600 x 680 x 230	1600 x 680 x 230	1600 x 680 x 230
WEIGHT (kg)		26	32	32	37	38	40
ELECTRICAL SUPPLY		Fed by Outdoor Unit	Fed by Outdoor Unit	Fed by Outdoor Unit	Fed by Outdoor Unit	Fed by Outdoor Unit	Fed by Outdoor Unit
FUSE RATING (BS88) - HRC (A)		6	6	6	6	6	6
INTERCONNECTING CABLE No. Cores		4	4	4	4	4	4
WIRED REMOTE CONTROLLER REFERENCE		PAR-33MAA	PAR-33MAA	PAR-33MAA	PAR-33MAA	PAR-33MAA	PAR-33MAA
WIRELESS REMOTE CONTROLLER REFERENCE		PAR-SL94B	PAR-SL94B	PAR-SL94B	PAR-SL94B	PAR-SL94B	PAR-SL94B

SUZ-KA / PUHZ-P - OUTDOOR UNITS		SUZ-KA50VA6	SUZ-KA60VA6	SUZ-KA71VA6	PUHZ-P100VKA	PUHZ-P125VKA	PUHZ-P140VKA
SOUND PRESSURE LEVEL (dBA)	Heating/Cooling	52 / 52	55 / 55	55 / 55	54 / 51	56 / 54	57 / 56
SOUND POWER LEVEL (dBA)	Cooling	65	65	69	70	72	75
WEIGHT (kg)		54	50	53	76	84	84
DIMENSIONS (mm)	Width x Depth x Height	840 x 330 x 880	840 x 330 x 880	840 x 330 x 880	1050 x 330 x 981	1050 x 330 x 981	1050 x 330 x 981
ELECTRICAL SUPPLY		220-240v, 50Hz	220-240v, 50Hz	220-240v, 50Hz	220-240v, 50Hz	220-240v, 50Hz	220-240v, 50Hz
PHASE		Single	Single	Single	Single	Single	Single
SYSTEM POWER	Heating/Cooling (nominal)	1.52 / 1.55	1.91 / 1.72	2.18 / 2.06	3.37 / 3.05	4.06 / 4.24	4.47 / 5.62
INPUT (kW)	Heating/Cooling (UK)	1.28 / 1.32	1.60 / 1.46	1.83 / 1.75	3.03 / 2.53	3.65 / 3.52	4.02 / 4.66
STARTING CURRENT (A)		7.7	8.3	9.1	7.0	11.1	11.1
SYSTEM RUNNING CURRENT (A)	Heating/Cooling [MAX]	7.50 / 7.70 [12.4]	7.60 / 8.30 [14.4]	9.10 / 8.70 [16.5]	13.4 / 14.9 [20]	18.9 / 17.9 [26.5]	23.0 / 18.9 [30]
FUSE RATING (BS88) - HRC (A)		20	20	20	32	32	40
MAINS CABLE No. Cores		3	3	3	3	3	3
MAX PIPE LENGTH (m)		30	30	30	50	50	50
MAX HEIGHT DIFFERENCE (m)		30	30	30	30	30	30
CHARGE REFRIGERANT (kg) / CO <sub>2</sub> EQUIVALENT (t)		1.60 / 3.34 (7m)	1.60 / 3.34 (7m)	1.80 / 3.76 (7m)	3.30 / 6.89 (30m)	3.80 / 7.93 (30m)	3.80 / 7.93 (30m)
R410A (GWP 2088)							
MAX ADDITIONAL REFRIGERANT (kg) / CO <sub>2</sub> EQUIVALENT (t)		0.46 / 0.96	0.46 / 0.96	1.265 / 2.64	1.20 / 2.51	1.20 / 2.51	1.20 / 2.51
R410A (GWP 2088)							

Note: Duty/standby not available on SUZ-KA50/60/71VA6.



Telephone: 01707 282880  
email: [air.conditioning@meuk.mee.com](mailto:air.conditioning@meuk.mee.com)  
web: [airconditioning.mitsubishielectric.co.uk](http://airconditioning.mitsubishielectric.co.uk)

UNITED KINGDOM Mitsubishi Electric Europe Living Environment Systems Division  
Travellers Lane, Hatfield, Hertfordshire, AL10 8XB, England General Enquiries Telephone: 01707 282880 Fax: 01707 278881

IRELAND Mitsubishi Electric Europe Westgate Business Park, Ballymount, Dublin 24, Ireland  
Telephone: Dublin (01) 419 8800 Fax: Dublin (01) 419 8890 International code: (003531)

Country of origin: United Kingdom – Japan – Thailand – Malaysia. ©Mitsubishi Electric Europe 2018. Mitsubishi and Mitsubishi Electric are trademarks of Mitsubishi Electric Europe B.V. The company reserves the right to make any variation in technical specification to the equipment described, or to withdraw or replace products without prior notification or public announcement. Mitsubishi Electric is constantly developing and improving its products. All descriptions, illustrations, drawings and specifications in this publication present only general particulars and shall not form part of any contract. All goods are supplied subject to the Company's General Conditions of Sale, a copy of which is available on request. Third-party product and brand names may be trademarks or registered trademarks of their respective owners.

Note: The fuse rating is for guidance only. Please refer to the relevant databook for detailed specification. It is the responsibility of a qualified electrician/electrical engineer to select the correct cable size and fuse rating based on current regulation and site specific conditions. Mitsubishi Electric's air conditioning equipment and heat pump systems contain a fluorinated greenhouse gas, R410A (GWP:2088), R32 (GWP:675), R407C (GWP:1774) or R134a (GWP:1430). \*These GWP values are based on Regulation (EU) No 517/2014 from IPCC 4th edition. In case of Regulation (EU) No.626/2011 from IPCC 3rd edition, these are as follows: R410A (GWP:1975), R32 (GWP: 550), R407C (GWP:1650) or R134a (GWP:1300).



[www.greengateway.mitsubishielectric.co.uk](http://www.greengateway.mitsubishielectric.co.uk)  
Mitsubishi Electric UK's commitment to the environment

Follow us @meuk\_Jes  
Follow us @green\_gateway

Mitsubishi Electric  
Living Environmental Systems UK

YouTube  
mitsubishielectric2

BLOG  
[thehub.mitsubishielectric.co.uk](http://thehub.mitsubishielectric.co.uk)

Effective as of January 2018