



COMPUTER ROOM AIR CONDITIONER

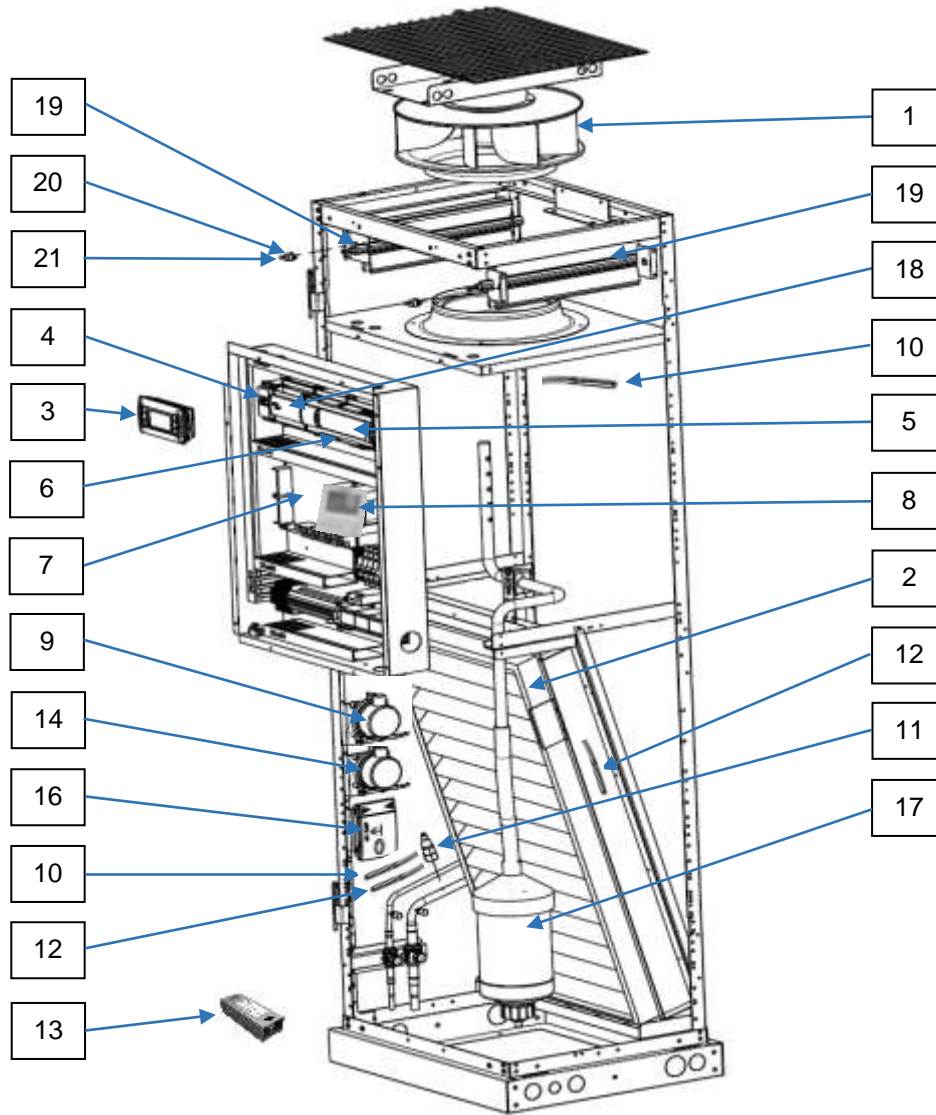
s-MEXT G00

SPARE PARTS CATALOGUE



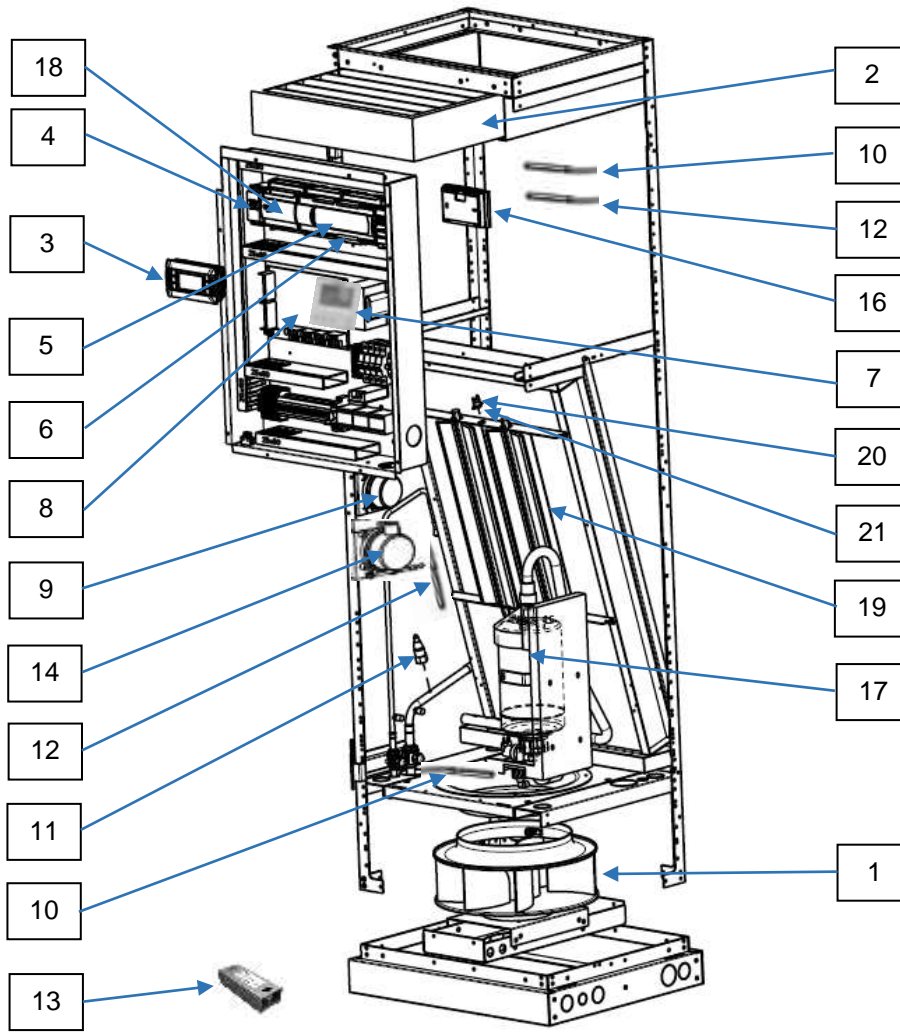
SC_s-MEXT_G00_00_Z_11_19_EN

EN



Ref.	Code	Description	qty / unit					
			06 F1	09 F1	13 F1	22 F2	38 F3	44 F3
1	C20000238H	RADIAL FAN ZIEHL RH31V-6IK.BD.1R	1	1	-	2	-	-
	S120230011	RADIAL FAN EBM R3G355-RS02-H1	-	-	1	-	-	-
	C200017001	RADIAL FAN ZIEHL RH63V-ZIK.GG.VR	-	-	-	-	1	1
2	C600000000	AIR FILTER 920x465x50 EFFICIENCY G4	1	1	1	-	-	-
	C600000001	AIR FILTER 485x455x98 EFFICIENCY G4	1	1	1	-	-	-
	C600000002	AIR FILTER 420x770x50 EFFICIENCY G4	-	-	-	2	-	-
	C600000003	AIR FILTER 885x455x98 EFFICIENCY G4	-	-	-	1	-	-
	C600000004	AIR FILTER 705x390x50 EFFICIENCY G4	-	-	-	-	4	4
3	C5111075	GRAPHIC DISPLAY PGD1000FW1	1	1	1	1	1	1
4	C51100013F	FLOODING DETECTOR FLOE000010	1	1	1	1	1	1
5	C511111813	PCO5+ SMALL- GREY P+5CVBOA000S0	1	1	1	1	1	1
6	C5111046	RS485 FIELDBUS PCO100FD10	1	1	1	1	1	1
7	S170780056	PAC-IF013PCB-E 297548 BH00G959B47	1	1	1	1	2	2
8	S170780057	REMOTE DISPLAY FOR PAC-IF BH00J360B02	-	-	-	-	1	1
9	C51002042A	AIR DIFFERENTIAL PRESSURE SWITCH DBL-205A	1	1	1	1	1	1
10	C511093200	NTC TEMPERATURE PROBE 3mt	3	3	3	3	4	4
11	S171000015	TRANSD. HUBA 0-30 Bar/4..20mA 5m	1	1	1	1	2	2
12	S170780058	TEMPERATURE PROBE FOR PAC-IF	3	3	3	3	6	6
13	C50011245F	FLOODING SENSOR FLOS000000 CAREL	1	1	1	1	1	1
14	C51002042B	AIR DIFFERENTIAL PRESSURE SWITCH DBL-205C	1	1	1	1	1	1
16	C509011100	TEMP/UMID SERIAL PROBE DPWC11400	1	1	1	1	1	1
17	C50007183H	HUMIDIFIER CYLINDER 230V BLCS100W2	1	1	1	1	-	-
	C50007184H	HUMIDIFIER CYLINDER 400V BLCT2C00W2	-	-	-	-	1	1
18	C50011708H	HUMIDIFIER BOARD GREY CPY000U200	1	1	1	1	1	1
19	C87300019H	FINNED HEATER 2KW L506 F1	1	2	2	3	-	-
	C87300020H	FINNED HEATER 3KW L660	-	-	-	-	3	3
20	C50901071H	SAFETY THERMOSTAT FOR HEATER	1	1	1	1	1	1
21	C5100309	CONNECTOR FOR SAFETY THERM. COSIL1000	1	1	1	1	1	1

The drawing is indicative only and has to be used exclusively as a reference for defining the components



Ref.	Code	Description	qty / unit					
			06 F1	09 F1	13 F1	22 F2	38 F3	44 F3
1	C20000238H	RADIAL FAN ZIEHL RH31V-6IK.BD.1R	1	1	-	2	-	-
	S120230011	RADIAL FAN EBM R3G355-RS02-H1	-	-	1	-	-	-
	C200017001	RADIAL FAN ZIEHL RH63V-ZIK.GG.VR	-	-	-	-	1	1
2	C600000000	AIR FILTER 920x465x50 EFFICIENCY G4	1	1	1	-	-	-
	C600000001	AIR FILTER 485x455x98 EFFICIENCY G4	1	1	1	-	-	-
	C600000002	AIR FILTER 420x770x50 EFFICIENCY G4	-	-	-	2	-	-
	C600000003	AIR FILTER 885x455x98 EFFICIENCY G4	-	-	-	1	-	-
	C600000004	AIR FILTER 705x390x50 EFFICIENCY G4	-	-	-	-	4	4
3	C5111075	GRAPHIC DISPLAY PGD1000FW1	1	1	1	1	1	1
4	C51100013F	FLOODING DETECTOR FLOE000010	1	1	1	1	1	1
5	C511111813	PCO5+ SMALL- GREY P+5CVB0A000S0	1	1	1	1	1	1
6	C5111046	RS485 FIELDBUS PCO100FD10	1	1	1	1	1	1
7	S170780056	PAC-IF013PCB-E 297548 BH00G959B47	1	1	1	1	2	2
8	S170780057	REMOTE DISPLAY FOR PAC-IF BH00J360B02	-	-	-	-	1	1
9	C51002042A	AIR DIFFERENTIAL PRESSURE SWITCH DBL-205A	1	1	1	1	1	1
10	C511093200	NTC TEMPERATURE PROBE 3mt	3	3	3	3	4	4
11	S171000015	TRANSD. HUBA 0-30 Bar/4..20mA 5m	1	1	1	1	2	2
12	S170780058	TEMPERATURE PROBE FOR PAC-IF	3	3	3	3	6	6
13	C50011245F	FLOODING SENSOR FLOS000000 CAREL	1	1	1	1	1	1
14	C51002042B	AIR DIFFERENTIAL PRESSURE SWITCH DBL-205C	1	1	1	1	1	1
16	C509011100	TEMP/UMID SERIAL PROBE DPWC11400	1	1	1	1	1	1
	C50007183H	HUMIDIFIER CYLINDER 230V BLCS100W2	1	1	1	1	-	-
17	C50007184H	HUMIDIFIER CYLINDER 400V BLCT2C00W2	-	-	-	-	1	1
	C50011708H	HUMIDIFIER BOARD GREY CPY000U200	1	1	1	1	1	1
18	C87300019H	FINNED HEATER 2KW L506 F1	1	2	2	3	-	-
	C87300020H	FINNED HEATER 3KW L660	-	-	-	-	3	3
20	C50901071H	SAFETY THERMOSTAT FOR HEATER	1	1	1	1	1	1
21	C5100309	CONNECTOR FOR SAFETY THERM. COSIL1000	1	1	1	1	1	1

The drawing is indicative only and has to be used exclusively as a reference for defining the components



MITSUBISHI ELECTRIC HYDRONICS & IT COOLING SYSTEMS