

Room Temperature Sensor

A discreet means of providing accurate temperature readings with Mitsubishi Electric air conditioning indoor units, the remote temperature sensor is ideal for use in hotel and residential applications where room aesthetics are an important consideration.

Key Features

- Sense room temperature rather than return air temperature
- Low profile for discreet installation
- Can be painted to blend into surroundings
- Optimum room control
- Control of Mr Slim splits and City Multi VRF systems

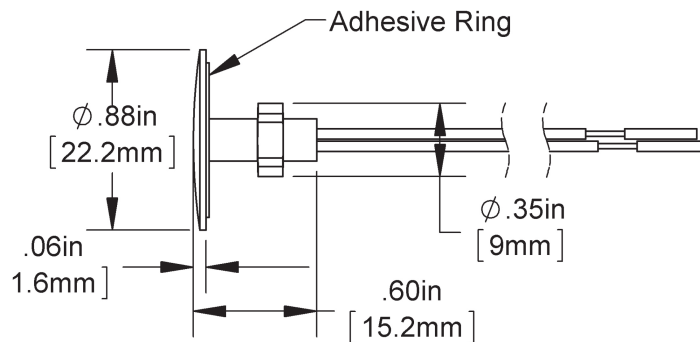
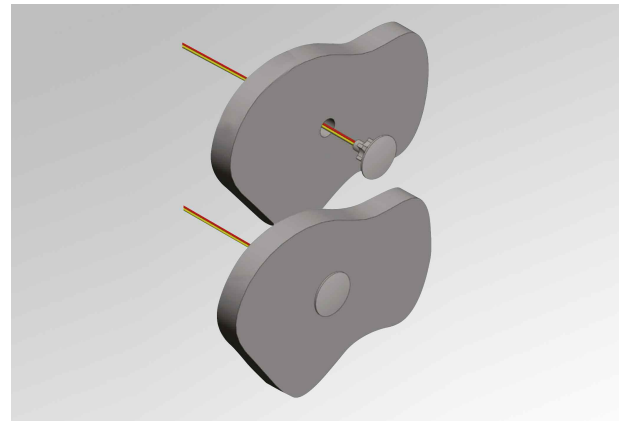
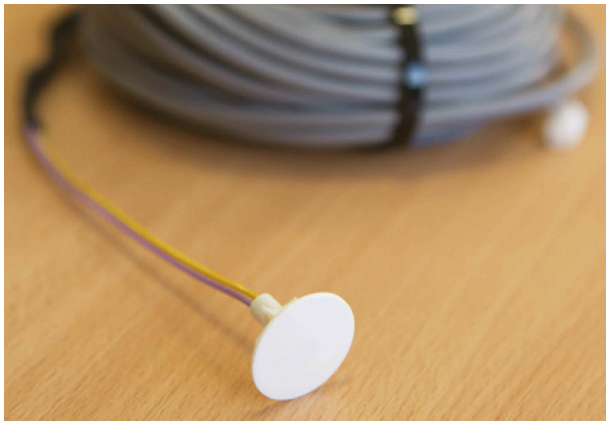


The KS-9 remote room temperature sensor offers optimum room temperature control without the need for an unsightly box on the wall.

Tested and proven in the field the sensor is designed to be extremely discreet, virtually disappearing into walls and ceilings. The sensor itself is suspended in a round enclosure which allows room air to surround it. Isolated from the mass wall temperature with internal insulators it enables a fast and accurate temperature reading. Supplied with 10m of two core cable and fixings for connecting to Mitsubishi Electric indoor units.

Part No.	Compatibility	Connect to
KS9-BS1-A	Mr Slim / City Multi	Indoor

Fitting the KS-9 Room Temperature Sensor in a wall space:

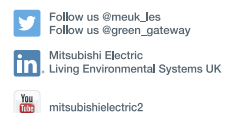


Telephone: 01707 282880
email: air.conditioning@meuk.mee.com
web: airconditioning.mitsubishielectric.co.uk

UNITED KINGDOM Mitsubishi Electric Europe Living Environment Systems Division
Travellers Lane, Hatfield, Hertfordshire, AL10 8XB, England General Enquiries Telephone: 01707 282880 Fax: 01707 278881
IRELAND Mitsubishi Electric Europe Westgate Business Park, Ballymount, Dublin 24, Ireland
Telephone: Dublin (01) 419 8800 Fax: Dublin (01) 419 8890 International code: (003531)



www.greengateway.mitsubishielectric.co.uk
Mitsubishi Electric UK's commitment
to the environment



Country of origin: United Kingdom – Japan – Thailand – Malaysia. ©Mitsubishi Electric Europe 2017. Mitsubishi and Mitsubishi Electric are trademarks of Mitsubishi Electric Europe B.V. The company reserves the right to make any variation in technical specification to the equipment described, or to withdraw or replace products without prior notification or public announcement. Mitsubishi Electric is constantly developing and improving its products. All descriptions, illustrations, drawings and specifications in this publication present only general particulars and shall not form part of any contract. All goods are supplied subject to the Company's General Conditions of Sale, a copy of which is available on request. Third-party product and brand names may be trademarks or registered trademarks of their respective owners.

Note: The fuse rating is for guidance only. Please refer to the relevant databook for detailed specification. It is the responsibility of a qualified electrician/electrical engineer to select the correct cable size and fuse rating based on current regulation and site specific conditions. Mitsubishi Electric's air conditioning equipment and heat pump systems contain a fluorinated greenhouse gas, R410A (GWP:2088), R32 (GWP:675), R407C (GWP:1774) or R134a (GWP:1430). *These GWP values are based on Regulation (EU) No 517/2014 from IPCC 4th edition. In case of Regulation (EU) No.626/2011 from IPCC 3rd edition, these are as follows. R410A (GWP:1975), R32 (GWP: 550), R407C (GWP:1650) or R134a (GWP:1300).

