

Air-Conditioners PUHZ-P-YHA Series

INSTALLATION MANUAL

For safe and correct use, read this manual and the indoor unit installation manual thoroughly before installing the air-conditioner unit.

FOR INSTALLER

INSTALLATIONSHANDBUCH

Aus Sicherheitsgründen und zur richtigen Verwendung vor der Installation die vorliegende Bedienungsanleitung und die Installationsanleitung der Innenanlage gründlich durchlesen die Klimaanlage.

FÜR INSTALLATEURE

MANUEL D'INSTALLATION

Avant d'installer le climatiseur, lire attentivement ce manuel, ainsi que le manuel d'installation de l'appareil intérieur pour une utilisation sûre et correcte.

POUR L'INSTALLATEUR

INSTALLATIEHANDLEIDING

Lees deze handleiding en de installatiehandleiding van het binnenapparaat zorgvuldig door voordat u met het installeren van de airconditioner begint.

VOOR DE INSTALLATEUR

MANUAL DE INSTALACIÓN

Para un uso correcto y seguro, lea detalladamente este manual y el manual de instalación de la unidad interior antes de instalar la unidad de aire acondicionado.

PARA EL INSTALADOR

MANUALE DI INSTALLAZIONE

Per un uso sicuro e corretto, leggere attentamente il presente manuale ed il manuale d'installazione dell'unità interna prima di installare il condizionatore d'aria.

PER L'INSTALLATORE

ΕΓΧΕΙΡΙΔΙΟ ΟΔΗΓΙΩΝ ΕΓΚΑΤΑΣΤΑΣΗΣ

Για σωστή και ασφαλή χρήση, διαβάστε προσεκτικά αυτό το εγχειρίδιο καθώς και το εγχειρίδιο εγκατάστασης της εσωτερικής μονάδας, προτού εγκαταστήσετε τη μονάδα του κλιματιστικού.

ΓΙΑ ΑΥΤΟΝ ΠΟΥ ΚΑΝΕΙ ΤΗΝ ΕΓΚΑΤΑΣΤΑΣΗ

MANUAL DE INSTALAÇÃO

Para uma utilização segura e correcta, leia atentamente este manual e o manual de instalação da unidade interior antes de instalar o aparelho de ar condicionado.

PARA O INSTALADOR

INSTALLATIONSMANUAL

Læs af sikkerhedshensyn denne manual samt manualen til installation af indendørsenheden grundigt, før du installerer klimaanlægget.

TIL INSTALLATØREN

INSTALLATIONSMANUAL

Läs bruksanvisningen och inomhusenhetens installationshandbok noga innan luftkonditioneringen installeras så att den används på ett säkert och korrekt sätt.

FÖR INSTALLATÖREN

MONTAJ ELKİTABI

Emniyetli ve doğru kullanım için, klima cihazını monte etmeden önce bu kılavuzu ve iç ünite montaj kılavuzunu tamamiyla okuyun.

MONTÖR İÇİN

РУКОВОДСТВО ПО УСТАНОВКЕ

Для обеспечения безопасной и надлежащей эксплуатации внимательно прочтите данное руководство и руководство по установке внутреннего прибора перед установкой кондиционера.

ДЛЯ УСТАНОВИТЕЛЯ**English****Deutsch****Français****Nederlands****Español****Italiano****Ελληνικά****Português****Dansk****Svenska****Türkçe****Русский**

Contents

1. Safety precautions	2	6. Electrical work	7
2. Installation location	3	7. Test run	9
3. Installing the outdoor unit	4	8. Special Functions	10
4. Installing the refrigerant piping	5	9. System control (Fig. 9-1)	10
5. Drainage piping work	7		

1. Safety precautions

- ▶ Before installing the unit, make sure you read all the "Safety precautions".
- ▶ Please report to or take consent by the supply authority before connection to the system.
- ▶ "This equipment complies with IEC 61000-3-12 provided that the short-circuit power S_{sc} is greater than or equal to S_{sc} (*1) at the interface point between the user's supply and the public system. It is the responsibility of the installer or user of the equipment to ensure, by consultation with the distribution network operator if necessary, that the equipment is connected only to a supply with a short-circuit power S_{sc} greater than or equal to S_{sc} (*1)"

S_{sc} (*1)	
Model	S_{sc} (MVA)
PUHZ-P200	1.35
PUHZ-P250	1.49

⚠ Warning:

- The unit must not be installed by the user. Ask a dealer or an authorized technician to install the unit. If the unit is installed incorrectly, water leakage, electric shock, or fire may result.
- For installation work, follow the instructions in the Installation Manual and use tools and pipe components specifically made for use with R410A refrigerant. The R410A refrigerant in the HFC system is pressurized 1.6 times the pressure of usual refrigerants. If pipe components not designed for R410A refrigerant are used and the unit is not installed correctly, the pipes may burst and cause damage or injuries. In addition, water leakage, electric shock, or fire may result.
- The unit must be installed according to the instructions in order to minimize the risk of damage from earthquakes, typhoons, or strong winds. An incorrectly installed unit may fall down and cause damage or injuries.
- The unit must be securely installed on a structure that can sustain its weight. If the unit is mounted on an unstable structure, it may fall down and cause damage or injuries.
- If the air conditioner is installed in a small room, measures must be taken to prevent the refrigerant concentration in the room from exceeding the safety limit in the event of refrigerant leakage. Consult a dealer regarding the appropriate measures to prevent the allowable concentration from being exceeded. Should the refrigerant leak and cause the concentration limit to be exceeded, hazards due to lack of oxygen in the room may result.
- Ventilate the room if refrigerant leaks during operation. If refrigerant comes into contact with a flame, poisonous gases will be released.
- All electric work must be performed by a qualified technician according to local regulations and the instructions given in this manual. The units must be powered by dedicated power lines and the correct voltage and circuit breakers must be used. Power lines with insufficient capacity or incorrect electrical work may result in electric shock or fire.

⚠ Warning:

Describes precautions that must be observed to prevent danger of injury or death to the user.

⚠ Caution:

Describes precautions that must be observed to prevent damage to the unit.

After installation work has been completed, explain the "Safety Precautions," use, and maintenance of the unit to the customer according to the information in the Operation Manual and perform the test run to ensure normal operation. Both the Installation Manual and Operation Manual must be given to the user for keeping. These manuals must be passed on to subsequent users.

⚡ : Indicates a part which must be grounded.

⚠ Warning:

Carefully read the labels affixed to the main unit.

- Use C1220 copper phosphorus, for copper and copper alloy seamless pipes, to connect the refrigerant pipes. If the pipes are not connected correctly, the unit will not be properly grounded and electric shock may result.
- Use only specified cables for wiring. The wiring connections must be made securely with no tension applied on the terminal connections. Also, never splice the cables for wiring (unless otherwise indicated in this document). Failure to observe these instructions may result in overheating or a fire.
- The terminal block cover panel of the outdoor unit must be firmly attached. If the cover panel is mounted incorrectly and dust and moisture enter the unit, electric shock or fire may result.
- When installing or relocating, or servicing the air conditioner, use only the specified refrigerant (R410A) to charge the refrigerant lines. Do not mix it with any other refrigerant and do not allow air to remain in the lines. If air is mixed with the refrigerant, then it can be the cause of abnormal high pressure in the refrigerant line, and may result in an explosion and other hazards. The use of any refrigerant other than that specified for the system will cause mechanical failure or system malfunction or unit breakdown. In the worst case, this could lead to a serious impediment to securing product safety.
- Use only accessories authorized by Mitsubishi Electric and ask a dealer or an authorized technician to install them. If accessories are incorrectly installed, water leakage, electric shock, or fire may result.
- Do not alter the unit. Consult a dealer for repairs. If alterations or repairs are not performed correctly, water leakage, electric shock, or fire may result.
- The user should never attempt to repair the unit or transfer it to another location. If the unit is installed incorrectly, water leakage, electric shock, or fire may result. If the air conditioner must be repaired or moved, ask a dealer or an authorized technician.
- After installation has been completed, check for refrigerant leaks. If refrigerant leaks into the room and comes into contact with the flame of a heater or portable cooking range, poisonous gases will be released.

1.1. Before installation

⚠ Caution:

- Do not use the unit in an unusual environment. If the air conditioner is installed in areas exposed to steam, volatile oil (including machine oil), or sulfuric gas, areas exposed to high salt content such as the seaside, or areas where the unit will be covered by snow, the performance can be significantly reduced and the internal parts can be damaged.
- Do not install the unit where combustible gases may leak, be produced, flow, or accumulate. If combustible gas accumulates around the unit, fire or explosion may result.
- The outdoor unit produces condensation during the heating operation. Make sure to provide drainage around the outdoor unit if such condensation is likely to cause damage.

- When installing the unit in a hospital or communications office, be prepared for noise and electronic interference. Inverters, home appliances, high-frequency medical equipment, and radio communications equipment can cause the air conditioner to malfunction or breakdown. The air conditioner may also affect medical equipment, disturbing medical care, and communications equipment, harming the screen display quality.

1.2. Before installation (relocation)

⚠ Caution:

- Be extremely careful when transporting or installing the units. 2 or more persons are needed to handle the unit, as it weighs 20 kg or more. Do not grasp the packaging bands. Wear protective gloves to remove the unit from the packaging and to move it, as you can injure your hands on the fins or the edge of other parts.
- Be sure to safely dispose of the packaging materials. Packaging materials, such as nails and other metal or wooden parts may cause stabs or other injuries.

- The base and attachments of the outdoor unit must be periodically checked for looseness, cracks or other damage. If such defects are left uncorrected, the unit may fall down and cause damage or injuries.
- Do not clean the air conditioner unit with water. Electric shock may result.
- Tighten all flare nuts to specification using a torque wrench. If tightened too much, the flare nut can break after an extended period and refrigerant can leak out.

1. Safety precautions

1.3. Before electric work

⚠ Caution:

- Be sure to install circuit breakers. If not installed, electric shock may result.
- For the power lines, use standard cables of sufficient capacity. Otherwise, a short circuit, overheating, or fire may result.
- When installing the power lines, do not apply tension to the cables. If the connections are loosened, the cables can snap or break and overheating or fire may result.

- Be sure to ground the unit. Do not connect the ground wire to gas or water pipes, lighting rods, or telephone grounding lines. If the unit is not properly grounded, electric shock may result.
- Use circuit breakers (ground fault interrupter, isolating switch (+B fuse), and molded case circuit breaker) with the specified capacity. If the circuit breaker capacity is larger than the specified capacity, breakdown or fire may result.

1.4. Before starting the test run

⚠ Caution:

- Turn on the main power switch more than 12 hours before starting operation. Starting operation just after turning on the power switch can severely damage the internal parts. Keep the main power switch turned on during the operation season.
- Before starting operation, check that all panels, guards and other protective parts are correctly installed. Rotating, hot, or high voltage parts can cause injuries.

- Do not touch any switch with wet hands. Electric shock may result.
- Do not touch the refrigerant pipes with bare hands during operation. The refrigerant pipes are hot or cold depending on the condition of the flowing refrigerant. If you touch the pipes, burns or frostbite may result.
- After stopping operation, be sure to wait at least five minutes before turning off the main power switch. Otherwise, water leakage or breakdown may result.

1.5. Using R410A refrigerant air conditioners

⚠ Caution:

- Use new refrigerant pipes.
Note the following if reusing existing pipes that carried R22 refrigerant.
 - Be sure to clean the pipes and make sure that the insides of the pipes are clean.
 - Replace the existing flare nuts and flare the flared sections again.
 - Do not use thin pipes. (Refer to 4.1.)
- Use C1220 copper phosphorus, for copper and copper alloy seamless pipes, to connect the refrigerant pipes. Make sure the insides of the pipes are clean and do not contain any harmful contaminants such as sulfuric compounds, oxidants, debris, or dust. Use pipes with the specified thickness. (Refer to 4.1.)
- Store the pipes to be used during installation indoors and keep both ends of the pipes sealed until just before brazing. (Leave elbow joints, etc. in their packaging.) If dust, debris, or moisture enters the refrigerant lines, oil deterioration or compressor breakdown may result.
- Use ester oil, ether oil, alkylbenzene oil (small amount) as the refrigeration oil applied to the flared sections. If mineral oil is mixed in the refrigeration oil, oil deterioration may result.
- Do not use refrigerant other than R410A refrigerant. If another refrigerant is used, the chlorine will cause the oil to deteriorate.

- Use a vacuum pump with a reverse flow check valve.
If the vacuum pump oil flows backward into the refrigerant lines, refrigerant oil deterioration may result.
- Use the following tools specifically designed for use with R410A refrigerant. The following tools are necessary to use R410A refrigerant. Contact your nearest dealer for any questions.

Tools (for R410A)	
Gauge manifold	Flare tool
Charge hose	Size adjustment gauge
Gas leak detector	Vacuum pump adapter
Torque wrench	Electronic refrigerant charging scale

- Be sure to use the correct tools. If dust, debris, or moisture enters the refrigerant lines, refrigeration oil deterioration may result.
- Do not use a charging cylinder. If a charging cylinder is used, the composition of the refrigerant will change and the efficiency will be lowered.

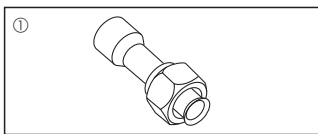


Fig. 1-1

1.6. Accessories of outdoor unit (Fig. 1-1)

The parts shown in the left are the accessories of this unit, which are affixed to the inside of the service panel.

- ① Joint pipe.....x1

2. Installation location

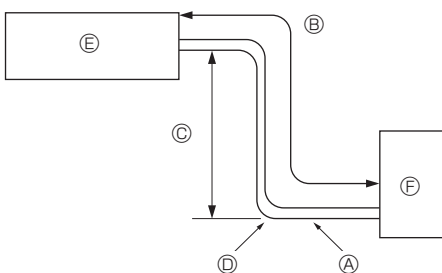


Fig. 2-1

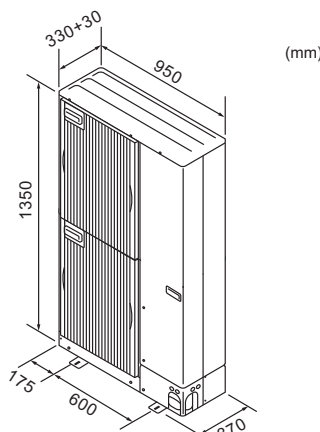


Fig. 2-2

2.1. Refrigerant pipe (Fig. 2-1)

- ▶ Check that the difference between the heights of the indoor and outdoor units, the length of refrigerant pipe, and the number of bends in the pipe are within the limits shown below.

Models	Ⓐ Pipe size(mm)		Ⓑ Pipe length (one way)	Ⓒ Height difference	Ⓓ Number of bends (one way)
	Gas side	Liquid side			
P200	ø25.4	ø9.52	Max. 70 m	Max. 30 m	Max. of 15
P250	(or ø28.58)	ø12.7	Max. 70 m	Max. 30 m	Max. of 15

- Height difference limitations are binding regardless of which unit, indoor or outdoor, is positioned higher.
- Ⓔ Indoor unit
- Ⓕ Outdoor unit

2.2. Choosing the outdoor unit installation location

- Avoid locations exposed to direct sunlight or other sources of heat.
- Select a location from which noise emitted by the unit will not inconvenience neighbors.
- Select a location permitting easy wiring and pipe access to the power source and indoor unit.
- Avoid locations where combustible gases may leak, be produced, flow, or accumulate.
- Note that water may drain from the unit during operation.
- Select a level location that can bear the weight and vibration of the unit.
- Avoid locations where the unit can be covered by snow. In areas where heavy snow fall is anticipated, special precautions such as raising the installation location or installing a hood on the air intake must be taken to prevent the snow from blocking the air intake or blowing directly against it. This can reduce the airflow and a malfunction may result.
- Avoid locations exposed to oil, steam, or sulfuric gas.
- Use the transportation handles of the outdoor unit to transport the unit. If the unit is carried from the bottom, hands or fingers may be pinched.

2.3. Outline dimensions (Outdoor unit) (Fig. 2-2)

2. Installation location

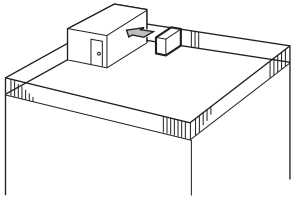


Fig. 2-3

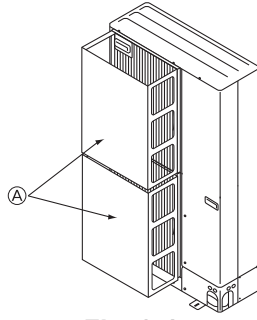


Fig. 2-4

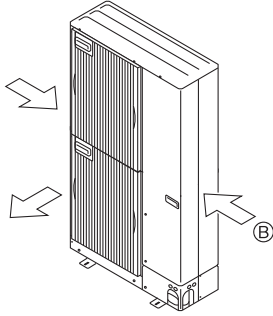


Fig. 2-5

2.4. Ventilation and service space

2.4.1. Windy location installation

When installing the outdoor unit on a rooftop or other location unprotected from the wind, situate the air outlet of the unit so that it is not directly exposed to strong winds. Strong wind entering the air outlet may impede the normal airflow and a malfunction may result.

The following shows three examples of precautions against strong winds.

- ① Face the air outlet towards the nearest available wall about 50 cm away from the wall. (Fig. 2-3)
- ② Install an optional air guide if the unit is installed in a location where strong winds from a typhoon, etc. may directly enter the air outlet. (Fig. 2-4)
 - Ⓐ Air outlet guide
- ③ Position the unit so that the air outlet blows perpendicularly to the seasonal wind direction, if possible. (Fig. 2-5)
 - Ⓑ Wind direction

2.4.2. When installing a single outdoor unit (Refer to the last page)

Minimum dimensions are as follows, except for Max., meaning Maximum dimensions, indicated.

Refer to the figures for each case.

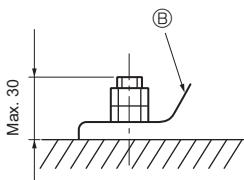
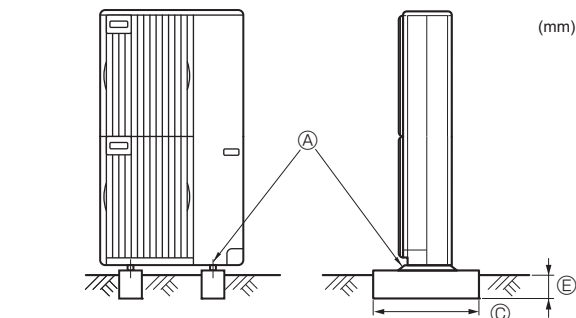
- ① Obstacles at rear only (Fig. 2-6)
- ② Obstacles at rear and above only (Fig. 2-7)
- ③ Obstacles at rear and sides only (Fig. 2-8)
- ④ Obstacles at front only (Fig. 2-9)
 - * When using an optional air outlet guide, the clearance is 500 mm or more.
- ⑤ Obstacles at front and rear only (Fig. 2-10)
 - * When using an optional air outlet guide, the clearance is 500 mm or more.
- ⑥ Obstacles at rear, sides, and above only (Fig. 2-11)
 - Do not install the optional air outlet guides for upward airflow.

2.4.3. When installing multiple outdoor units (Refer to the last page)

Leave 10 mm space or more between the units.

- ① Obstacles at rear only (Fig. 2-12)
- ② Obstacles at rear and above only (Fig. 2-13)
 - No more than three units must be installed side by side. In addition, leave space as shown.
 - Do not install the optional air outlet guides for upward airflow.
- ③ Obstacles at front only (Fig. 2-14)
 - * When using an optional air outlet guide, the clearance is 1000 mm or more.
- ④ Obstacles at front and rear only (Fig. 2-15)
 - * When using an optional air outlet guide, the clearance is 1000 mm or more.
- ⑤ Single parallel unit arrangement (Fig. 2-16)
 - * When using an optional air outlet guide installed for upward airflow, the clearance is 1000 mm or more.
- ⑥ Multiple parallel unit arrangement (Fig. 2-17)
 - * When using an optional air outlet guide installed for upward airflow, the clearance is 1500 mm or more.
- ⑦ Stacked unit arrangement (Fig. 2-18)
 - The units can be stacked up to two units high.
 - No more than 2 stacked units must be installed side by side. In addition, leave space as shown.

3. Installing the outdoor unit



- Ⓐ M10 (3/8") bolt
- Ⓑ Base
- Ⓒ As long as possible.
- Ⓓ Vent
- Ⓔ Set deep in the ground.

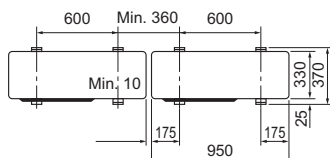


Fig. 3-1

- Be sure to install the unit in a sturdy, level surface to prevent rattling noises during operation. (Fig. 3-1)

<Foundation specifications>

Foundation bolt	M10 (3/8")
Thickness of concrete	120 mm
Length of bolt	70 mm
Weight-bearing capacity	320 kg

- Make sure that the length of the foundation bolt is within 30 mm of the bottom surface of the base.
- Secure the base of the unit firmly with four-M10 foundation bolts in sturdy locations.

Installing the outdoor unit

- Do not block the vent. If the vent is blocked, operation will be hindered and breakdown may result.
- In addition to the unit base, use the installation holes on the back of the unit to attach wires, etc., if necessary to install the unit. Use self-tapping screws (ø5 × 15 mm or less) and install on site.

⚠ Warning:

- **The unit must be securely installed on a structure that can sustain its weight. If the unit is mounted on an unstable structure, it may fall down and cause damage or injuries.**
- **The unit must be installed according to the instructions in order to minimize the risk of damage from earthquakes, typhoons, or strong winds. An incorrectly installed unit may fall down and cause damage or injuries.**

4. Installing the refrigerant piping

4.1. Precautions for devices that use R410A refrigerant

- Refer to 1.5. for precautions not included below on using air conditioners with R410A refrigerant.
- Use ester oil, ether oil, alkylbenzene oil (small amount) as the refrigeration oil applied to the flared sections.
- Use C1220 copper phosphorus, for copper and copper alloy seamless pipes, to connect the refrigerant pipes. Use refrigerant pipes with the thicknesses specified in the table to the below. Make sure the insides of the pipes are clean and do not contain any harmful contaminants such as sulfuric compounds, oxidants, debris, or dust.

Always apply no-oxidation brazing when brazing the pipes, otherwise, the compressor will be damaged.

⚠ Warning:

When installing or relocating, or servicing the air conditioner, use only the specified refrigerant (R410A) to charge the refrigerant lines. Do not mix it with any other refrigerant and do not allow air to remain in the lines.

If air is mixed with the refrigerant, then it can be the cause of abnormal high pressure in the refrigerant line, and may result in an explosion and other hazards.

The use of any refrigerant other than that specified for the system will cause mechanical failure or system malfunction or unit breakdown. In the worst case, this could lead to a serious impediment to securing product safety.

Pipe size (mm)	ø6.35	ø9.52	ø12.7	ø15.88	ø19.05	ø22.2	ø25.4	ø28.58
Thickness (mm)	0.8	0.8	0.8	1.0	1.0	1.0	1.0	1.0

- Do not use pipes thinner than those specified above.

4.2. Connecting pipes

- When commercially available copper pipes are used, wrap liquid and gas pipes with commercially available insulation materials (heat-resistant to 100 °C or more, thickness of 12 mm or more).
- The indoor parts of the drain pipe should be wrapped with polyethylene foam insulation materials (specific gravity of 0.03, thickness of 9 mm or more).
- Apply thin layer of refrigerant oil to pipe and joint seating surface before tightening flare nut. ① (Fig.4-1)
- Use 2 wrenches to tighten piping connections. ② (Fig.4-1)
- Use leak detector or soapy water to check for gas leaks after connections are completed.
- Apply refrigerating machine oil over the entire flare seat surface. ③ (Fig.4-1)
- Use the flare nuts for the following pipe size. ④ (Fig.4-1)

		RP50	RP60,71	RP100-140
Gas side	Pipe size (mm)	ø12.7	ø15.88	ø15.88
Liquid side	Pipe size (mm)	ø6.35	ø9.52	ø9.52

- When bending the pipes, be careful not to break them. Bend radius of 100 mm to 150 mm are sufficient.
- Make sure the pipes do not contact the compressor. Abnormal noise or vibration may result.

- ① Pipes must be connected starting from the indoor unit.
Flare nuts must be tightened with a torque wrench.
- ② Flare the liquid pipes and gas pipes and apply a thin layer of refrigeration oil (Applied on site).
- When usual pipe sealing is used, refer to Table 1 for flaring of R410A refrigerant pipes.
The size adjustment gauge can be used to confirm B measurements.

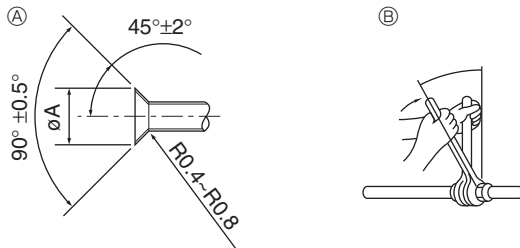
Table 1 (Fig. 4-2)

Copper pipe O.D. (mm)	B (mm)	
	Flare tool for R410A	Flare tool for R22-R407C
	Clutch type	
ø6.35 (1/4")	0 - 0.5	1.0 - 1.5
ø9.52 (3/8")	0 - 0.5	1.0 - 1.5
ø12.7 (1/2")	0 - 0.5	1.0 - 1.5
ø15.88 (5/8")	0 - 0.5	1.0 - 1.5
ø19.05 (3/4")	0 - 0.5	1.0 - 1.5

- ③ Use the following procedure for connecting the gas-side piping. (Fig. 4-3)
 - 1 Braze the ⑤ Joint pipe provided to the outdoor unit using locally procured brazing materials and ⑥ Local piping without oxygen.
 - 2 Connect the ⑤ Joint pipe to the gas-side Stop valve.
Use two wrenches to tighten the flare nut.
* If order is reversed, refrigerant leak occurs because of the part damaging by brazing fire.

- For PEA-RP200, 250, 400, 500GA
The method of pipe connection is brazing connection.

		PEA-200	PEA-250	PEA-400	PEA-500
Gas side	Pipe size (mm)	ø25.4 (or ø28.58)			
Liquid side	Pipe size (mm)	ø9.52	ø12.7	ø9.52	ø12.7



Ⓐ Flare cutting dimensions
Ⓑ Flare nut tightening torque

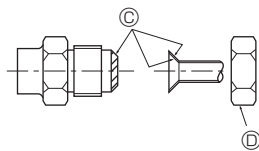


Fig. 4-1

Ⓐ (Fig. 4-1)

Copper pipe O.D. (mm)	Flare dimensions øA dimensions (mm)
ø6.35	8.7 - 9.1
ø9.52	12.8 - 13.2
ø12.7	16.2 - 16.6
ø15.88	19.3 - 19.7
ø19.05	23.6 - 24.0

Ⓑ (Fig. 4-1)

Copper pipe O.D. (mm)	Flare nut O.D. (mm)	Tightening torque (N·m)
ø6.35	17	14 - 18
ø6.35	22	34 - 42
ø9.52	22	34 - 42
ø12.7	26	49 - 61
ø12.7	29	68 - 82
ø15.88	29	68 - 82
ø15.88	36	100 - 120
ø19.05	36	100 - 120

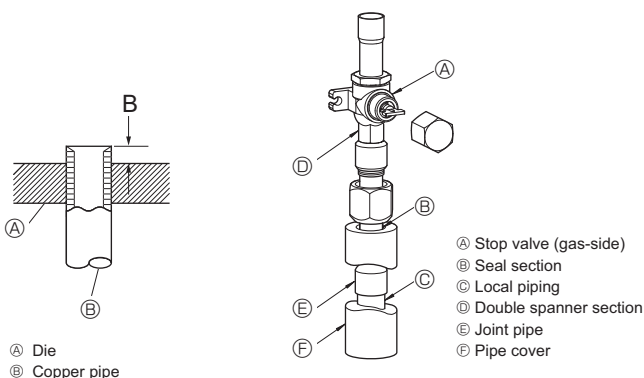


Fig. 4-2

Fig. 4-3

4. Installing the refrigerant piping

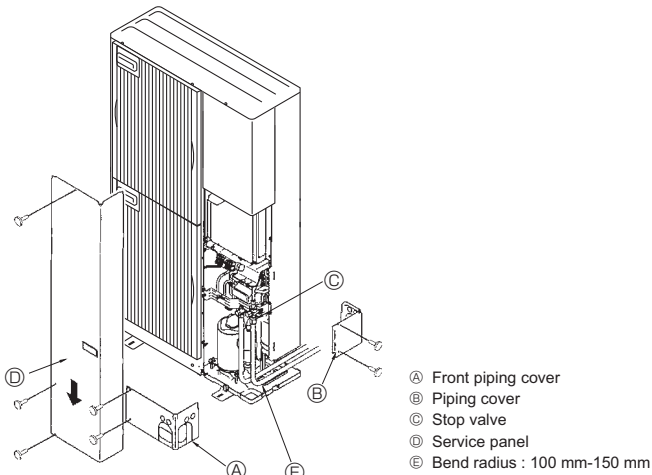
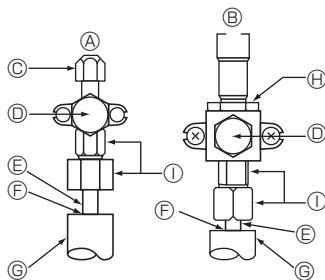


Fig. 4-4



- Ⓐ Stop valve <Liquid side>
- Ⓑ Stop valve <Gas side>
- Ⓒ Service port
- Ⓓ Open/Close section
- Ⓔ Local pipe
- Ⓕ Seal section
(Seal the end of the heat insulation material at the pipe connection section with whatever seal material you have on hand so that water does not infiltrate the heat insulation material.)
- Ⓖ Pipe cover
- Ⓗ Do not use a wrench here. Refrigerant leakage may result.
- Ⓘ Double spanner section
(Do not apply a spanner other than to this section. Doing so would cause refrigerant leaks.)

Fig. 4-5

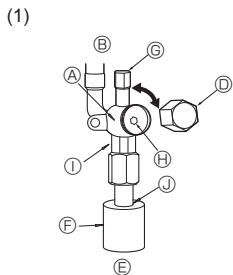


Fig. 4-6

- Ⓐ Valve
- Ⓑ Unit side
- Ⓒ Operation section
- Ⓓ Cap
- Ⓔ Local pipe side
- Ⓕ Pipe cover
- Ⓖ Service port
- Ⓗ Wrench hole

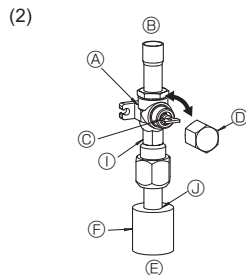


Fig. 4-7

- Ⓘ Double spanner section
(Do not apply a spanner other than to this section. Doing so would cause refrigerant leaks.)
- Ⓙ Seal section
(Seal the end of the heat insulation material at the pipe connection section with whatever seal material you have on hand so that water does not infiltrate the heat insulation material.)

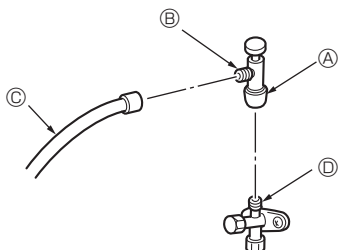


Fig. 4-8

- * The figure to the left is an example only. The stop valve shape, service port position, etc., may vary according to the model.
- * Turn section Ⓐ only.
(Do not further tighten sections Ⓐ and Ⓑ together.)

- Ⓒ Charge hose
- Ⓑ Service port

4.3. Refrigerant piping (Fig. 4-4)

Remove the service panel Ⓒ (3 screws) and the front piping cover Ⓐ (2 screws) and rear piping cover Ⓑ (2 screws).

- ① Perform refrigerant piping connections for the indoor/outdoor unit when the outdoor unit's stop valve is completely closed.
- ② Vacuum-purge air from the indoor unit and the connection piping.
- ③ After connecting the refrigerant pipes, check the connected pipes and the indoor unit for gas leaks. (Refer to 4.4 Refrigerant pipe airtight testing method)
- ④ A high-performance vacuum pump is used at the stop valve service port to maintain a vacuum for an adequate time (at least 1 hour after reaching -101 kPa (5 Torr)) in order to vacuum dry the inside of the pipes. Always check the degree of vacuum at the gauge manifold. If there is any moisture left in the pipe, the degree of vacuum is sometimes not reached with short-time vacuum application. After vacuum drying, completely open the stop valves (both liquid and gas) for the outdoor unit. This completely links the indoor and outdoor refrigerant circuits.
 - If the vacuum drying is inadequate, air and water vapor remain in the refrigerant circuits and can cause abnormal rise of high pressure, abnormal drop of low pressure, deterioration of the refrigerant machine oil due to moisture, etc.
 - If the stop valves are left closed and the unit is operated, the compressor and control valves will be damaged.
 - Use a leak detector or soapy water to check for gas leaks at the pipe connection sections of the outdoor unit.
 - Do not use the refrigerant from the unit to purge air from the refrigerant lines.
 - After the valve work is completed, tighten the valve caps to the correct torque: 20 to 25 N·m (200 to 250 kgf·cm). Failure to replace and tighten the caps may result in refrigerant leakage. In addition, do not damage the insides of the valve caps as they act as a seal to prevent refrigerant leakage.
- ⑤ Use sealant to seal the ends of the thermal insulation around the pipe connection sections to prevent water from entering the thermal insulation.

4.4. Refrigerant pipe airtight testing method (Fig. 4-5)

- (1) Connect the testing tools.
 - Make sure the stop valves Ⓐ Ⓑ are closed and do not open them.
 - Add pressure to the refrigerant lines through the service port Ⓒ of the liquid stop valve Ⓐ.
- (2) Do not add pressure to the specified pressure all at once; add pressure little by little.
 - ① Pressurize to 0.5 MPa (5 kgf/cm²G), wait 5 minutes, and make sure the pressure does not decrease.
 - ② Pressurize to 1.5 MPa (15 kgf/cm²G), wait 5 minutes, and make sure the pressure does not decrease.
 - ③ Pressurize to 4.15 MPa (41.5 kgf/cm²G) and measure the surrounding temperature and refrigerant pressure.
- (3) If the specified pressure holds for about one day and does not decrease, the pipes have passed the test and there are no leaks.
 - If the surrounding temperature changes by 1°C, the pressure will change by about 0.03 MPa (0.3 kgf/cm²G). Make the necessary corrections.
- (4) If the pressure decreases in steps (2) or (3), there is a gas leak. Look for the source of the gas leak.

4.5. Stop valve opening method

The stop valve opening method varies according to the outdoor unit model. Use the appropriate method to open the stop valves.

(1) Liquid side of stop valve (Fig. 4-6)

- ① Remove the cap and turn the valve rod counterclockwise as far as it will go with the use of a 4 mm hexagonal wrench. Stop turning when it hits the stopper. (Approximately 10 revolutions)
- ② Make sure that the stop valve is open completely and rotate the cap back to its original position.

(2) Gas side of stop valve (Fig. 4-7)

- ① Remove the cap, pull the handle toward you and rotate 1/4 turn in a counterclockwise direction to open.
- ② Make sure that the stop valve is open completely and rotate the cap back to its original position.

Refrigerant pipes are protectively wrapped

- The pipes can be protectively wrapped up to a diameter of $\varnothing 90$ before or after connecting the pipes. Cut out the knockout in the pipe cover following the groove and wrap the pipes.

Pipe inlet gap

- Use putty or sealant to seal the pipe inlet around the pipes so that no gaps remain. (If the gaps are not closed, noise may be emitted or water and dust will enter the unit and breakdown may result.)

Precautions when using the charge valve (Fig. 4-8)

Do not tighten the service port too much when installing it, otherwise the valve core could be deformed and become loose, causing a gas leak.

After positioning section Ⓑ in the desired direction, turn section Ⓐ only and tighten it.

Do not further tighten sections Ⓐ and Ⓑ together after tightening section Ⓐ.

Warning:

When installing the unit, securely connect the refrigerant pipes before starting the compressor.

4. Installing the refrigerant piping

4.6. Addition of refrigerant

- Additional charging is not necessary if the pipe length does not exceed 30 m.
- If the pipe length is exceeded, charge the unit with additional R410A refrigerant according to the permitted pipe lengths in the following table.

* When the unit is stopped, charge the unit with the additional refrigerant through the liquid stop valve after the pipe extensions and indoor unit have been vacuumized.

When the unit is operating, add refrigerant to the gas check valve using a safety charger. Do not add liquid refrigerant directly to the check valve.

* After charging the unit with refrigerant, note the added refrigerant amount on the service label (attached to the unit).

Refer to the "1.5. Using R410A refrigerant air conditioners" for more information.

- Be careful when installing multiple units. Connecting to an incorrect indoor unit can lead to abnormally high pressure and have a serious effect on operation performance.

Model	Permitted pipe length	Permitted vertical difference	Additional refrigerant charging amount			
			31 - 40 m	41 - 50 m	51 - 60 m	61 - 70 m
P200	70 m	30 m	0.9 kg	1.8 kg	2.7 kg	3.6 kg
P250			1.2 kg	2.4 kg	3.6 kg	4.8 kg

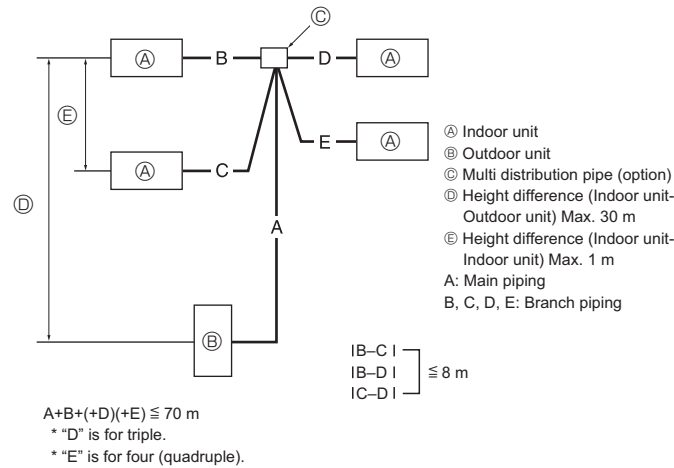


Fig. 4-9

4.7. For twin/triple/quadruple combination (Fig. 4-9)

- When this unit is used as a FREE COMPO MULTI unit, install the refrigerant piping with the restrictions indicated in the drawing on the left. In addition, if the restrictions are going to be exceeded, or if there are going to be combinations of indoor and outdoor units, refer to installation instructions for the indoor unit for details about the installation.

Outdoor unit	Permissible total piping length A+B+C+D+E	Charge-less piping length A+B+C+D+E
P200 P250	70 m and less	30 m and less
Outdoor unit	B-C or B-D or B-E or C-D or C-E or D-E	No. of bends
P200 P250	8 m and less	Within 15

5. Drainage piping work

Outdoor unit drainage pipe connection

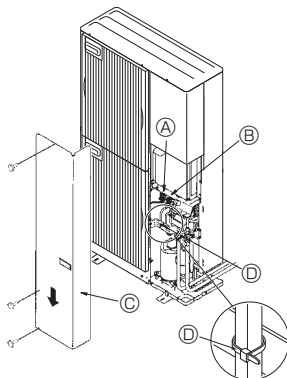
When drain piping is necessary, use the drain socket or the drain pan (option).

Drain socket	PAC-SG61DS-E
Drain pan	PAC-SG64DP-E

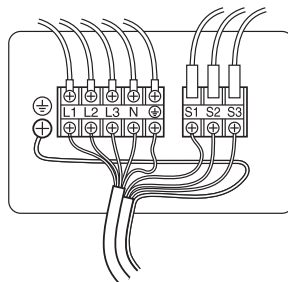
6. Electrical work

6.1. Outdoor unit (Fig. 6-1, Fig. 6-2)

- (1) Remove the service panel.
- (2) Wire the cables referring to the Fig. 6-1 and the Fig. 6-2.



Note: If the protective sheet for the electrical box is removed during servicing, be sure to reinstall it.



- (A) Power supply terminal block (L1, L2, L3, N, ⊕)
- (B) Indoor/outdoor connection terminal block (S1, S2, S3)
- (C) Service panel
- (D) Clamp

* Clamp the cables so that they do not contact the center of the service panel or the gas valve.

Caution:
Be sure to install N-Line. Without N-Line, it could cause damage to unit.

* Except PEA-RP200, 250, 400, 500GA

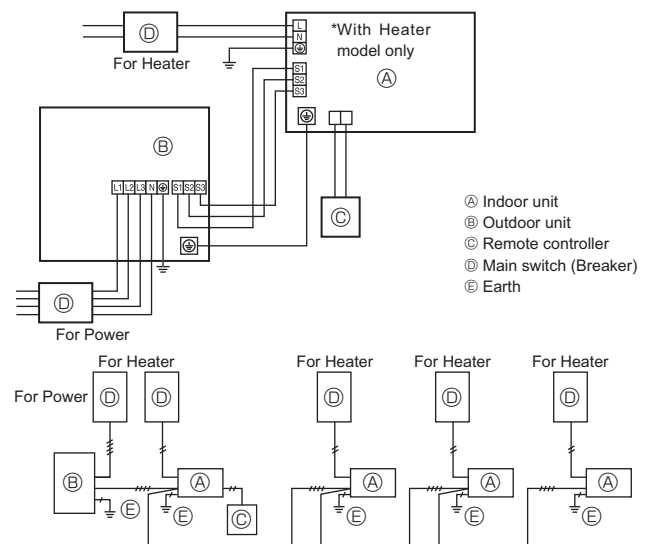
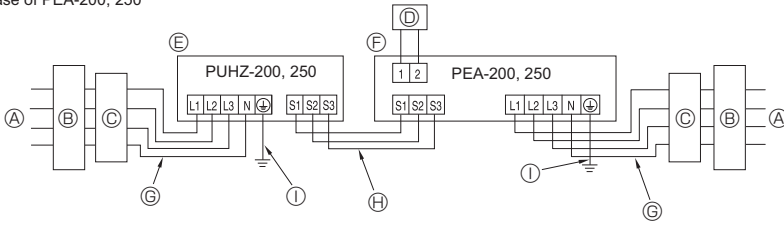


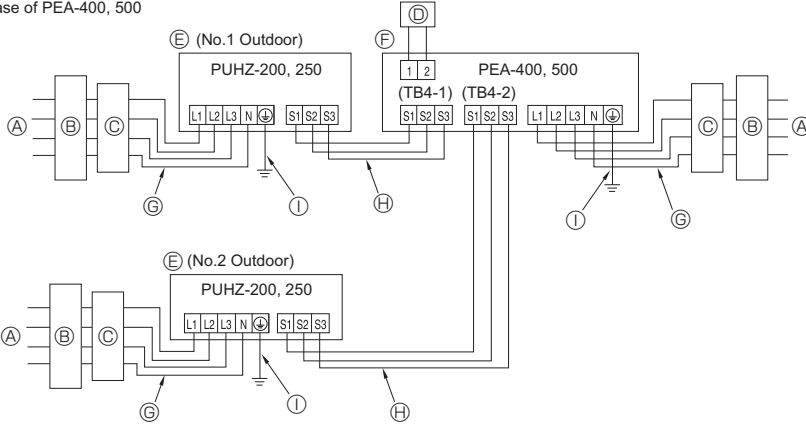
Fig. 6-1

6. Electrical work

* In case of PEA-200, 250

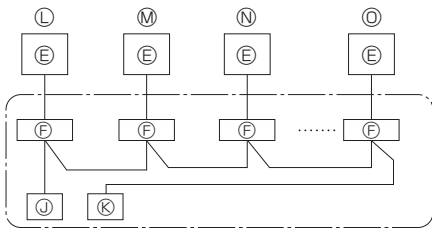


* In case of PEA-400, 500



- Ⓐ Power supply
- ⓔ Earth leakage breaker
- ⓕ Circuit breaker or local switch
- ⓖ LCD remote controller
- ⓗ Outdoor unit
- Ⓘ Indoor unit
- ⓙ Power cable wiring
- ⓚ Indoor/Outdoor connection wiring
- Ⓛ Grounding
- Ⓜ Main remote controller
- Ⓨ Subordinate remote controller
- ⓐ Standard (Refrigerant address = 00)
- ⓑ Refrigerant address = 01
- ⓒ Refrigerant address = 02
- ⓓ Refrigerant address = 03
- ⓔ Refrigerant address = 14
- ⓕ Refrigerant address = 15

* In case of PEA-200, 250



* In case of PEA-400, 500

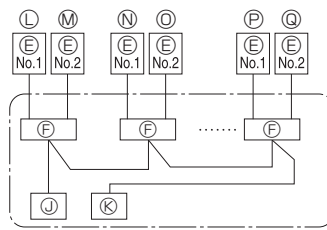


Fig. 6-2

6.2. Field electrical wiring

Outdoor unit model		P200, 250	
Outdoor unit power supply	Phase Frequency & Voltage	3N~(3ph 4-wires), 50 Hz, 400 V	
Outdoor unit input capacity	Main switch (Breaker)	*1	32 A
Wiring Wire No. x size (mm ²)	Outdoor unit power supply	5 x Min. 4	
	Indoor unit-Outdoor unit	*2	Cable length 50 m : 3 x 4 (Polar)/Cable length 80 m : 3 x 6 (Polar)
	Indoor unit-Outdoor unit earth	1 x Min. 2.5	
	Remote controller-Indoor unit	*3	2 x 0.3 (Non-polar)
Circuit rating	Outdoor unit L1-N, L2-N, L3-N	AC 230 V	
	Indoor unit-Outdoor unit S1-S2	AC 230 V	
	Indoor unit-Outdoor unit S2-S3	DC 24 V	
	Remote controller-Indoor unit	DC 12 V	

*1. A breaker with at least 3.0 mm contact separation in each poles shall be provided. Use earth leakage breaker (NV).

*2. Max. 80 m Total Max. including all indoor/indoor connection is 80 m.

• Use one cable for S1 and S2 and another for S3 as shown in the picture.

• Max. 50 m Total Max. for PEA. Wiring size 3 x 1.5 (Polar).

*3. The 10 m wire is attached in the remote controller accessory.

*4. The figures are NOT always against the ground.

S3 terminal has DC 24 V against S2 terminal. However between S3 and S1, these terminals are NOT electrically insulated by the transformer or other device.



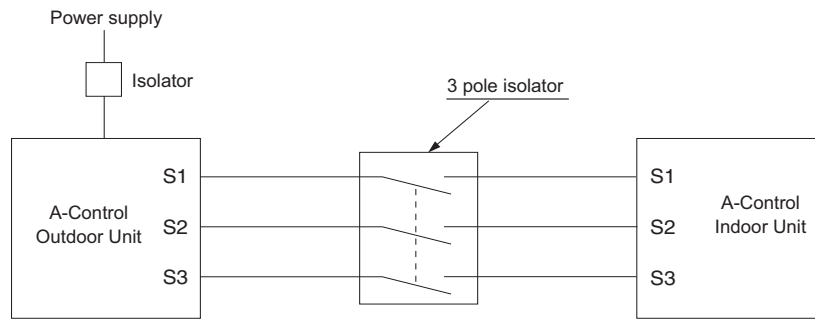
Notes: 1. Wiring size must comply with the applicable local and national code.

2. Power supply cords and Indoor/Outdoor unit connecting cords shall not be lighter than polychloroprene sheathed flexible cord. (Design 60245 IEC 57)

3. Install an earth longer than other cables.

Never splice the power cable or the indoor-outdoor connection cable, otherwise it may result in a smoke, a fire or communication failure.

6. Electrical work



⚠ Warning:

In case of A-control wiring, there is high voltage potential on the S3 terminal caused by electrical circuit design that has no electrical insulation between power line and communication signal line. Therefore, please turn off the main power supply when servicing. And do not touch the S1, S2, S3 terminals when the power is energized. If isolator should be used between indoor unit and outdoor unit, please use 3-pole type.

WIRING SPECIFICATIONS FOR 220-240 V 50 Hz (INDOOR-OUTDOOR CONNECTING CABLE)

Cross section of cable	Wire size (mm ²)	Number of wires	Polarity	L (m)*6
Round	2.5	3	Clockwise : S1-S2-S3 * Pay attention to stripe of yellow and green	(30) *2
Flat	2.5	3	Not applicable (Because center wire has no cover finish)	Not applicable *5
Flat	1.5	4	From left to right : S1-Open-S2-S3	(18) *3
Round	2.5	4	Clockwise : S1-S2-S3-Open *Connect S1 and S3 to the opposite angle	(30) *4

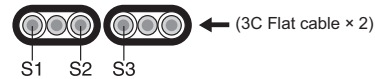
*1 : Power supply cords of appliances shall not be lighter than design 60245 IEC or 227 IEC.

*2 : In case that cable with stripe of yellow and green is available.

*3 : In case of regular polarity connection (S1-S2-S3), wire size is 1.5 mm².

*4 : In case of regular polarity connection (S1-S2-S3).

*5 : In the flat cables are connected as this picture, they can be used up to 30 m.



*6 : Mentioned cable length is just a reference value.
It may be different depending on the condition of installation, Humidity or materials, etc.

Be sure to connect the indoor-outdoor connecting cables directly to the units (no intermediate connections). Intermediate connections can lead to communication errors if water enters the cables and causes insufficient insulation to ground or a poor electrical contact at the intermediate connection point.

7. Test run

7.1. Before test run

- ▶ After completing installation and the wiring and piping of the indoor and outdoor units, check for refrigerant leakage, looseness in the power supply or control wiring, wrong polarity, and no disconnection of one phase in the supply.
- ▶ Use a 500-volt megohmmeter to check that the resistance between the power supply terminals and ground is at least 1.0MΩ.
- ▶ Do not carry out this test on the control wiring (low voltage circuit) terminals.

⚠ Warning:

Do not use the air conditioner if the insulation resistance is less than 1.0MΩ.

Insulation resistance

After installation or after the power source to the unit has been cut for an extended period, the insulation resistance will drop below 1 MΩ due to refrigerant accumulating in the compressor. This is not a malfunction. Perform the following procedures.

1. Remove the wires from the compressor and measure the insulation resistance of the compressor.
2. If the insulation resistance is below 1 MΩ, the compressor is faulty or the resistance dropped due the accumulation of refrigerant in the compressor.
3. After connecting the wires to the compressor, the compressor will start to warm up after power is supplied. After supplying power for the times indicated below, measure the insulation resistance again.

- The insulation resistance drops due to accumulation of refrigerant in the compressor. The resistance will rise above 1 MΩ after the compressor is warmed up for 4 hours.
(The time necessary to warm up the compressor varies according to atmospheric conditions and refrigerant accumulation.)
- To operate the compressor with refrigerant accumulated in the compressor, the compressor must be warmed up at least 12 hours to prevent breakdown.
- 4. If the insulation resistance rises above 1 MΩ, the compressor is not faulty.

⚠ Caution:

- The compressor will not operate unless the power supply phase connection is correct.
- Turn on the power at least 12 hours before starting operation.
- Starting operation immediately after turning on the main power switch can result in severe damage to internal parts. Keep the power switch turned on during the operational season.

▶ The followings must be checked as well.

- The outdoor unit is not faulty. LED1 and LED2 on the control board of the outdoor unit flash when the outdoor unit is faulty.
- Both the gas and liquid stop valves are completely open.
- A protective sheet covers the surface of the DIP switch panel on the control board of the outdoor unit. Remove the protective sheet to operate the DIP switches easily.

7.2. Test run

7.2.1. Using SW4 in outdoor unit

SW4-1	ON	Cooling operation
SW4-2	OFF	
SW4-1	ON	Heating operation
SW4-2	ON	

* After performing the test run, set SW4-1 to OFF.

- After power is supplied, a small clicking noise may be heard from the inside of the outdoor unit. The electronic expansion valve is opening and closing. The unit is not faulty.

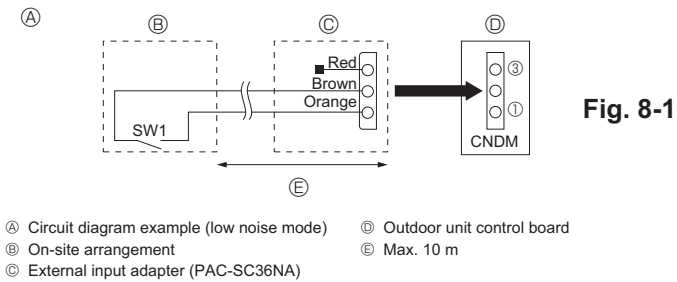
- A few seconds after the compressor starts, a clanging noise may be heard from the inside of the outdoor unit. The noise is coming from the check valve due to the small difference in pressure in the pipes. The unit is not faulty.

The test run operation mode cannot be changed by DIP switch SW4-2 during the test run. (To change the test run operation mode during the test run, stop the test run by DIP switch SW4-1. After changing the test run operation mode, resume the test run by switch SW4-1.)

7.2.2. Using remote controller

Refer to the indoor unit installation manual.

8. Special Functions



8.1. Low noise mode (on-site modification) (Fig. 8-1)

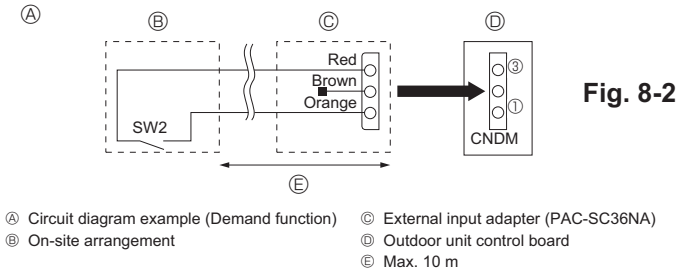
By performing the following modification, operation noise of the outdoor unit can be reduced by about 3-4 dB.

The low noise mode will be activated when a commercially available timer or the contact input of an ON/OFF switch is added to the CNDM connector (option) on the control board of the outdoor unit.

- The ability varies according to the outdoor temperature and conditions, etc.

① Complete the circuit as shown when using the external input adapter (PAC-SC36NA). (Option)

② SW1 ON: Low noise mode
SW1 OFF: Normal operation



8.2. Demand function (on-site modification) (Fig. 8-2)

By performing the following modification, energy consumption can be reduced to 0 –100% of the normal consumption.

The demand function will be activated when a commercially available timer or the contact input of an ON/OFF switch is added to the CNDM connector (option) on the control board of the outdoor unit.

① Complete the circuit as shown when using the external input adapter (PAC-SC36NA). (Option)

② By setting SW7-1 and SW7-2 on the control board of the outdoor unit, the energy consumption (compared to the normal consumption) can be limited as shown below.

SW7-1	SW7-2	Energy consumption (SW2 ON)
OFF	OFF	0% (Stop)
ON	OFF	50%
OFF	ON	75%

8.3. Refrigerant collecting (pump down)

Perform the following procedures to collect the refrigerant when moving the indoor unit or the outdoor unit.

① Supply power (circuit breaker).

* When power is supplied, make sure that "CENTRALLY CONTROLLED" is not displayed on the remote controller. If "CENTRALLY CONTROLLED" is displayed, the refrigerant collecting (pump down) cannot be completed normally.

* Start-up of the indoor-outdoor communication takes about 3 minutes after the power (circuit breaker) is turned on. Start the pump-down operation 3 to 4 minutes after the power (circuit breaker) is turned ON.

② After the liquid stop valve is closed, set the SWP switch on the control board of the outdoor unit to ON. The compressor (outdoor unit) and ventilators (indoor and outdoor units) start operating and refrigerant collecting operation begins. LED1 and LED2 on the control board of the outdoor unit are lit.

* Only set the SWP switch (push-button type) to ON if the unit is stopped. However, even if the unit is stopped and the SWP switch is set to ON less than 3 minutes after the compressor stops, the refrigerant collecting operation cannot be performed. Wait until compressor has been stopped for 3 minutes and then set the SWP switch to ON again.

③ Because the unit automatically stops in about 2 to 3 minutes when the refrigerant collecting operation is completed (LED1 off, LED2 lit), be sure to quickly close the gas stop valve. If LED1 is lit and LED2 is off and the outdoor unit is stopped, refrigerant collection is not properly performed. Open the liquid stop valve completely, and then repeat step ② after 3 minutes have passed.

* If the refrigerant collecting operation has been completed normally (LED1 off, LED2 lit), the unit will remain stopped until the power supply is turned off.

④ Turn off the power supply (circuit breaker).

* Note that when the extension piping is very long with large refrigerant amount, it may not be possible to perform a pump-down operation. When performing the pump-down operation, make sure that the low pressure is lowered to near 0 MPa (gauge).

⚠ Warning:

When pumping down the refrigerant, stop the compressor before disconnecting the refrigerant pipes. The compressor may burst if air etc. get into it.

9. System control (Fig. 9-1)

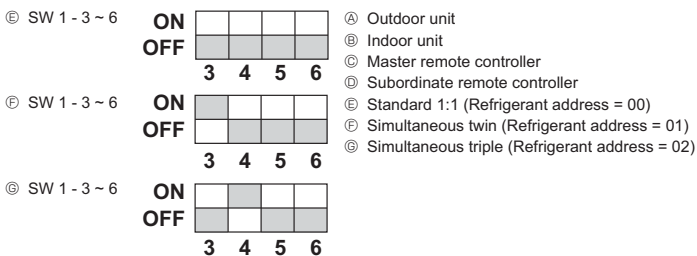


Fig. 9-1

* Set the refrigerant address using the DIP switch of the outdoor unit.

① Wiring from the Remote Control

This wire is connected to TB5 (terminal board for remote controller) of the indoor unit (non-polar).

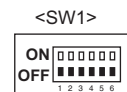
② When a Different Refrigerant System Grouping is Used.

Up to 16 refrigerant systems can be controlled as one group using the slim MA remote controller.

Note:

In single refrigerant system (twin/triple), there is no need of wiring ②.

SW1
Function table



SW1 function settings	Function	Operation according to switch setting	
		ON	OFF
1	Compulsory defrosting	Start	Normal
2	Error history clear	Clear	Normal
3 4 5 6	Refrigerant system address setting	Settings for outdoor unit addresses 0 to 15	

Inhaltsverzeichnis

1. Sicherheitsvorkehrungen	11	6. Elektroarbeiten	16
2. Aufstellort	12	7. Testlauf	18
3. Einbau der Außenanlage	13	8. Spezielle Funktionen	19
4. Installation der Kältemittelrohrleitung	14	9. Kontrolle des Systems (Fig. 9-1)	19
5. Verrohrung der Dränage	16		

1. Sicherheitsvorkehrungen

- ▶ Vor dem Einbau der Anlage vergewissern, daß Sie alle Informationen über "Sicherheitsvorkehrungen" gelesen haben.
- ▶ Vor Anschluß an das System Mitteilung an Stromversorgungsunternehmen machen oder dessen Genehmigung einholen.
- ▶ "Dieses Gerät entspricht IEC 61000-3-12, vorausgesetzt die S_{sc} -Kurzschlussleistung ist größer oder gleich der S_{sc} (*1) am Schnittstellenpunkt zwischen der Versorgung des Anwenders und dem öffentlichen Stromnetz. Es liegt in der Verantwortung des Installateurs oder des Anwenders der Anlage, wenn nötig in Absprache mit dem Netzbetreiber, dass die Anlage ausschließlich an einer Versorgung mit einer höheren oder mit der gleichen S_{sc} Kurzschlussleistung als/wie der S_{sc} (*1) angeschlossen wird."

S_{sc} (*1)

Modell	S_{sc} (MVA)
PUHZ-P200	1.35
PUHZ-P250	1.49

⚠ Warnung:

- Das Gerät darf nicht vom Benutzer installiert werden. Bitten Sie Ihren Fachhändler oder einen geprüften Fachtechniker, die Installation der Anlage vorzunehmen. Wenn das Gerät unsachgemäß installiert wurde, kann dies Wasseraustritt, Stromschläge oder einen Brand zur Folge haben.
- Folgen Sie bei der Installation den Anweisungen in der Installationsanleitung, und verwenden Sie Werkzeuge und Rohrleitungsbestandteile, die ausdrücklich zum Einsatz von Kältemittel R410A ausgelegt sind. Das Kältemittel R410A ist im HFC-System 1,6-mal höherem Druck ausgesetzt als übliche Kältemittel. Wenn Rohrleitungsbestandteile verwendet werden, die nicht für Kältemittel R410A ausgelegt sind und die Anlage nicht richtig installiert ist, können Rohre platzen und dabei Verletzungen oder Sachschäden verursachen. Außerdem kann das Wasseraustritt, Stromschläge oder einen Brand zur Folge haben.
- Die Anlage muß entsprechend den Anweisungen installiert werden, um die Gefahr von Schäden in Folge von Erdbeben, Stürmen oder starkem Windeinfluß zu minimieren. Eine falsch installierte Anlage kann herabfallen und dabei Verletzungen oder Sachschäden verursachen.
- Die Anlage muß sicher an einem Bauteil installiert werden, das das Gewicht der Anlage tragen kann. Wenn die Anlage an einem zu schwachen Bauteil montiert ist, besteht die Gefahr, daß sie herabfällt und dabei Verletzungen oder Sachschäden verursacht.
- Wenn die Klimaanlage in einem kleinen Raum installiert wird, müssen Maßnahmen ergriffen werden, damit die Kältemittelkonzentration auch bei Kältemittelaustritt den Sicherheitsgrenzwert nicht überschreitet. Konsultieren Sie Ihren Fachhändler bezüglich geeigneter Maßnahmen gegen die Überschreitung der erlaubten Konzentration. Sollte Kältemittel austreten und der Grenzwert der Kältemittelkonzentration überschritten werden, können durch den Sauerstoffmangel im Raum Gefahren entstehen.
- Lüften Sie den Raum, wenn bei Betrieb Kältemittel austritt. Wenn Kältemittel mit einer Flamme in Berührung kommt, werden dabei giftige Gase freigesetzt.
- Alle Elektroarbeiten müssen entsprechend den örtlichen Vorschriften und den Anweisungen in dieser Anleitung von qualifizierten Fachelektrikern ausgeführt werden. Die Anlagen müssen über eigene Stromkreise versorgt werden, und es müssen die richtige Betriebsspannung und die richtigen Leistungsschalter verwendet werden. Stromleitungen mit unzureichender Kapazität oder falsch ausgeführte Elektroarbeiten können Stromschläge oder Brände verursachen.
- Verwenden Sie zur Verbindung der Kältemittelrohrleitungen für nahtlose Rohre aus Kupfer und Kupferlegierungen Kupferphosphor C1220. Wenn die Rohre nicht korrekt verbunden sind, ist die Anlage nicht ordnungsgemäß geerdet, was Stromschläge zur Folge haben kann.

1.1. Vor der Installation

⚠ Vorsicht:

- Setzen Sie die Anlage nicht in unüblichem Umfeld ein. Wenn die Klimaanlage in Bereichen installiert ist, in denen sie Rauch, austretendem Öl (einschließlich Maschinenöl) oder Schwefeldämpfen ausgesetzt ist, Gegenden mit hohem Salzgehalt, etwa am Meer, oder Bereichen, in denen die Anlage mit Schnee bedeckt wird, kann dies erhebliche Leistungsbeeinträchtigungen und Schäden an den Geräteteilen im Inneren der Anlage zur Folge haben.
- Installieren Sie die Anlage nicht in Bereichen, in denen entzündliche Gase austreten, hergestellt werden, ausströmen oder sich ansammeln können. Wenn sich entzündliche Gase im Bereich der Anlage ansammeln, kann dies zu einem Brand oder einer Explosion führen.

1.2. Vor der Installation (Transport)

⚠ Vorsicht:

- Beim Transportieren oder Einbauen der Anlagen besondere Sorgfalt walten lassen. Zum Transport der Anlage sind mindestens 2 Personen nötig, da die Anlage 20 kg oder mehr wiegt. Tragen Sie die Anlage nicht an den Verpackungsbändern. Beim Entnehmen der Anlage aus der Verpackung und beim Aufstellen Schutzhandschuhe tragen, um Verletzungen durch Rippen oder scharfe Kanten anderer Teile zu vermeiden.
- Sorgen Sie für eine ordnungsgemäße Entsorgung der Verpackungsmaterialien. Verpackungsmaterialien wie Nägel sowie andere metallene oder hölzerne Teile können Verletzungen verursachen.

⚠ Warnung:

Beschreibt Vorkehrungen, die beachtet werden müssen, um den Benutzer vor der Gefahr von Verletzungen oder tödlichen Unfällen zu bewahren.

⚠ Vorsicht:

Beschreibt Vorkehrungen, die beachtet werden müssen, damit an der Anlage keine Schäden entstehen.

Erläutern Sie dem Kunden nach Abschluß der Installationsarbeiten die "Sicherheitsvorkehrungen" sowie die Nutzung und Wartung der Anlage entsprechend den Informationen in der Bedienungsanleitung und führen Sie einen Testlauf durch, um sicherzustellen, daß die Anlage ordnungsgemäß funktioniert. Geben Sie dem Benutzer sowohl die Installations- als auch die Bedienungsanleitung zur Aufbewahrung. Diese Anleitungen sind auch den nachfolgenden Besitzern der Anlage weiterzugeben.



: Verweist auf einen Teil der Anlage, der geerdet werden muß.

⚠ Warnung:

Sorgfältig die auf der Hauptanlage aufgetragenen Aufschriften lesen.

- Verwenden Sie zur Verdrahtung nur die angegebenen Kabel. Die Anschlüsse müssen fest und sicher ohne Zugbelastung auf den Klemmen vorgenommen werden. Spleißen Sie außerdem niemals die Kabel für die Verdrahtung (außer es wird in diesem Dokument entsprechend angegeben). Wenn die Kabel falsch angeschlossen oder installiert sind, kann dies Überhitzung oder einen Brand zur Folge haben.
- Die Abdeckplatte der Klemmleiste der Außenanlage muß fest angebracht werden. Wenn die Abdeckplatte falsch montiert ist und Staub und Feuchtigkeit in die Anlage eindringen, kann dies einen Stromschlag oder einen Brand zur Folge haben.
- Beim Installieren oder Umsetzen oder Warten der Klimaanlage darf nur das angegebene Kältemittel (R410A) zur Befüllung der Kältemittelleitungen verwendet werden. Vermischen Sie es nicht mit anderem Kältemittel und lassen Sie nicht zu, dass Luft in den Leitungen zurückbleibt. Wenn sich Luft mit dem Kältemittel vermischt, kann dies zu einem ungewöhnlich hohen Druck in der Kältemittelleitung führen und eine Explosion oder andere Gefahren verursachen. Die Verwendung eines anderen als des für das System angegebenen Kältemittels führt zu mechanischem Versagen, einer Fehlfunktion des Systems oder einer Beschädigung des Geräts. Im schlimmsten Fall kann sie ein schwerwiegendes Hindernis für die Aufrechterhaltung der Produktsicherheit darstellen.
- Verwenden Sie nur von Mitsubishi Electric zugelassenes Zubehör, und lassen Sie dieses durch Ihren Fachhändler oder eine Vertragswerkstatt einbauen. Wenn Zubehör falsch installiert ist, kann dies Wasser austritt, Stromschläge oder einen Brand zur Folge haben.
- Verändern Sie die Anlage nicht. Wenden Sie sich für Reparaturen an Ihren Fachhändler. Wenn Änderungen oder Reparaturen nicht sachgemäß durchgeführt werden, kann dies Wasseraustritt, Stromschläge oder einen Brand zur Folge haben.
- Der Benutzer darf niemals versuchen, die Anlage zu reparieren oder an einem anderen Ort aufzustellen. Wenn die Anlage nicht sachgemäß installiert ist, kann dies Wasseraustritt, Stromschläge oder einen Brand zur Folge haben. Wenn die Klimaanlage repariert oder transportiert werden muß, wenden Sie sich dazu an Ihren Fachhändler oder einen geprüften Fachtechniker.
- Prüfen Sie die Anlage nach Abschluß der Installation auf Kältemittelaustritt. Wenn Kältemittel in den Raum gelangt und mit der Flamme einer Heizung oder eines Gasherds in Berührung kommt, werden dabei giftige Gase freigesetzt.

- Während des Heizens entsteht an der Außenanlage Kondenswasser. Sorgen Sie für eine Wasserableitung rund um die Außenanlage, wenn Kondenswasser Schäden verursachen kann.
- Bei der Installation der Anlage in Krankenhäusern oder Kommunikationseinrichtungen müssen Sie mit Krümmbelastung und elektronischen Störungen rechnen. Inverter, Haushaltsgeräte, medizinische Hochfrequenzapparate und Telekommunikationseinrichtungen können Fehlfunktionen oder den Ausfall der Klimaanlage verursachen. Die Klimaanlage kann auch medizinische Geräte in Mitleidenschaft ziehen, die medizinische Versorgung und Kommunikationseinrichtungen durch Beeinträchtigung der Bildschirmdarstellung stören.

- Die Bodenplatte und die Befestigungsteile der Außenanlage müssen regelmäßig auf Festigkeit, Risse und andere Schäden geprüft werden. Wenn solche Schäden nicht behoben werden, kann die Anlage herabfallen und dabei Verletzungen oder Sachschäden verursachen.
- Die Klimaanlage darf nicht mit Wasser gereinigt werden. Dabei kann es zu Stromschlägen kommen.
- Alle Konusmuttern müssen mit einem Drehmomentschlüssel entsprechend den technischen Anweisungen angezogen werden. Wenn die Muttern zu fest angezogen werden, besteht die Gefahr, daß die Konusmutter nach einer gewissen Zeit bricht und Kältemittel austritt.

1. Sicherheitsvorkehrungen

1.3. Vor den Elektroarbeiten

⚠ Vorsicht:

- Installieren Sie auf jeden Fall Leistungsschalter. Andernfalls besteht die Gefahr von Stromschlägen.
- Verwenden Sie für die Netzleitungen handelsübliche Kabel mit ausreichender Kapazität. Andernfalls besteht die Gefahr von Kurzschlüssen, Überhitzung oder eines Brandes.
- Achten Sie bei der Installation der Netzleitungen darauf, daß keine Zugspannung für die Kabel entsteht. Wenn sich die Anschlüsse lösen, besteht die Gefahr, daß die Kabel aus den Klemmen rutschen oder brechen; dies kann Überhitzung oder einen Brand verursachen.

1.4. Vor dem Testlauf

⚠ Vorsicht:

- Schalten Sie den Netzschalter mehr als 12 Stunden vor Betriebsbeginn ein. Ein Betriebsbeginn unmittelbar nach Einschalten des Netzschalters kann zu schwerwiegenden Schäden der Innenteile führen. Lassen Sie während der Betriebsperiode den Netzschalter eingeschaltet.
- Prüfen Sie vor Betriebsbeginn, ob alle Platten, Sicherungen und weitere Schutzvorrichtungen ordnungsgemäß installiert sind. Rotierende, heiße oder unter Hochspannung stehende Bauteile können Verletzungen verursachen.
- Berühren Sie Schalter nicht mit nassen Händen. Dadurch besteht die Gefahr eines Stromschlags.

1.5. Einsatz von Klimaanlage mit dem Kältemittel R410A

⚠ Vorsicht:

- Verwenden Sie neue Kältemittelrohre. Beachten Sie die folgenden Hinweise, wenn Sie vorhandene Rohre wiederverwenden, mit denen das Kältemittel R22 transportiert wurde.
 - Reinigen Sie die Rohre und stellen Sie sicher, daß die Innenseite der Rohre sauber ist.
 - Ersetzen Sie die vorhandenen Konusmuttern, und weiten Sie die zur Aufweitung bestimmten Bereiche erneut auf.
 - Verwenden Sie keine dünnen Rohre. (Siehe 4.1.)
- Verwenden Sie zur Verbindung der Kältemittelrohrleitungen für nahtlose Rohre aus Kupfer und Kupferlegierungen Kupferphosphor C1220. Vergewissern Sie sich, daß die Rohre von innen sauber sind und keine schädlichen Verunreinigungen wie Schwefelverbindungen, Oxidationsmittel, Fremdkörper oder Staub enthalten. Verwenden Sie Rohre mit der vorgeschriebenen Stärke. (Siehe 4.1.)
- Lagern Sie die für die Installation benötigten Rohre in einem geschlossenen Raum, und lassen Sie beide Enden der Rohre bis unmittelbar vor dem Hartlöten abgedichtet. (Belassen Sie Winkelstücke usw. in ihren Verpackungen.) Wenn Staub, Fremdkörper oder Feuchtigkeit in die Kältemittelrohre eindringen, besteht die Gefahr, daß sich das Öl zersetzt oder der Kompressor ausfällt.
- Tragen Sie eine kleine Menge Esteröl/Ätheröl oder Alkylbenzol als Kältemittelöl auf die Konusanschlüsse auf. Wenn das Kältemittelöl mit Mineralöl gemischt wird, besteht die Gefahr, daß sich das Öl zersetzt.

- Die Anlage muß geerdet werden. Schließen Sie die Erdungsleitung nicht an Gas- oder Wasserleitungen, Blitzableitern oder Telefonerdungsleitungen an. Wenn die Anlage nicht ordnungsgemäß geerdet ist, besteht die Gefahr von Stromschlägen.
- Verwenden Sie Leistungsschalter (Erdschlußunterbrecher, Trennschalter (+B-Sicherung) und gußgekapselte Leistungsschalter) mit der angegebenen Kapazität. Wenn die Leistungsschalterkapazität größer ist als vorgeschrieben, kann dies einen Ausfall der Klimaanlage oder einen Brand zur Folge haben.

- Berühren Sie die Kältemittelrohre während des Betriebs nicht mit bloßen Händen. Die Kältemittelrohrleitungen sind je nach Zustand des durchfließenden Kältemittels heiß oder kalt. Beim Berühren der Rohre besteht die Gefahr von Verbrennungen oder Erfrierungen.
- Nach Beendigung des Betriebs müssen mindestens fünf Minuten verstreichen, ehe der Hauptschalter ausgeschaltet wird. Andernfalls besteht die Gefahr von Wasseraustritt oder Ausfall der Anlage.

- Verwenden Sie kein anderes Kältemittel als das Kältemittel R410A. Wenn ein anderes Kältemittel verwendet wird, führt das Chlor dazu, daß sich das Öl zersetzt.
- Eine Vakuumpumpe mit einem Reverse Flow (Gegenstrom)-Rückschlagventil verwenden. Wenn das Öl von der Vakuumpumpe zurück in die Kältemittelrohre fließt, kann dies zu Zersetzung des Kältemittelöls führen.
- Verwenden Sie die folgenden Werkzeuge, die speziell für die Verwendung mit Kältemittel R410A ausgelegt sind. Die folgenden Werkzeuge sind für die Verwendung des Kältemittels R410A erforderlich. Wenden Sie sich bei weiteren Fragen an Ihren Fachhändler.

Werkzeuge (für R410A)	
Kaliber des Rohrverteilers	Aufweitungswerkzeug
Füllschlauch	Lehre für die Größenanpassung
Gasleckdetektor	Netzteil der Vakuumpumpe
Drehmomentschlüssel	Elektronische Kältemittelfüllstandsanzeige

- Verwenden Sie unbedingt die richtigen Werkzeuge. Wenn Staub, Fremdkörper oder Feuchtigkeit in die Kältemittelrohre eindringen, besteht die Gefahr, daß sich das Kältemittelöl zersetzt.
- Verwenden Sie keinen Füllzylinder. Bei Verwendung eines Füllzylinders wird die Zusammensetzung des Kältemittels geändert und damit der Wirkungsgrad verringert.

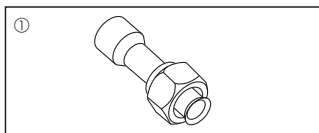


Fig. 1-1

1.6. Zubehör für die Außenanlage (Fig. 1-1)

Bei den auf der linken Seite dargestellten Teilen handelt es sich um Zubehör dieser Anlage, das an der Innenseite der Bedienungsplatte befestigt ist.

- ① Verbindungsrohr.....x1

2. Aufstellort

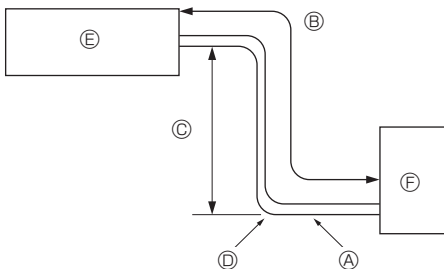


Fig. 2-1

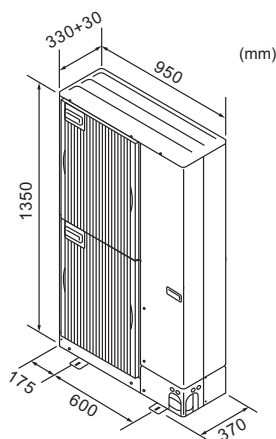


Fig. 2-2

2.1. Rohrleitung für Kältemittel (Fig. 2-1)

► Vergewissern, daß der Höhenunterschied zwischen Innen- und Außenanlage, die Länge der Kältemittelrohrleitung und die Anzahl der Krümmen in der Rohrleitung innerhalb der Grenzwerte der nachstehenden Tabelle liegen.

Modelle	A Rohrgröße (mm)		B Länge Rohrleitung (eine Richtung)	C Höhenunterschied	D Zahl der Krümmen (eine Richtung)
	Gasseite	Flüssigkeitseite			
P200	ø25,4	ø9,52	Max. 70 m	Max. 30 m	Max. of 15
P250	(ø28,58)	ø12,7	Max. 70 m	Max. 30 m	Max. of 15

- Die Begrenzung der Höhenunterschiede ist verbindlich, gleichgültig welche Anlage, Innen- oder Außenanlage, sich in der höheren Position befindet.
 - ⓔ Innenanlage
 - ⓕ Außenanlage

2.2. Auswahl des Aufstellungsortes für die Außenanlage

- Vermeiden Sie Aufstellungsorte, die direkter Sonneneinstrahlung oder anderen Hitzequellen ausgesetzt sind.
- Wählen Sie den Aufstellungsort so, daß von der Anlage ausgehende Geräusche die Nachbarschaft nicht stören.
- Wählen Sie den Aufstellungsort so, daß der Netzanschluß und die Verlegung der Rohre zur Innenanlage einfach zu bewerkstelligen sind.
- Vermeiden Sie Aufstellungsorte, an denen entzündliche Gase austreten, hergestellt werden, ausströmen oder sich ansammeln.
- Beachten Sie, daß bei Betrieb der Anlage Wasser heruntertropfen kann.
- Wählen Sie einen waagerechten Aufstellungsort, der dem Gewicht und den Schwingungen der Anlage gewachsen ist.
- Vermeiden Sie Aufstellungsorte, an denen die Anlage mit Schnee bedeckt werden kann. In Gegenden, in denen mit schwerem Schneefall zu rechnen ist, müssen spezielle Vorkehrungen getroffen werden, wie die Wahl eines höheren Aufstellungsortes oder die Montage einer Abdeckhaube vor der Öffnung für die Luftansaugung, um zu vermeiden, daß Schnee die Luftansaugung blockiert oder direkt hineingeblasen wird. Dadurch kann der Luftstrom vermindert und so Fehlfunktionen verursacht werden.
- Vermeiden Sie Aufstellungsorte, die Öl, Dampf oder Schwefelgas ausgesetzt sind.
- Benutzen Sie zum Transport der Außenanlage die vier Tragegriffe. Wenn die Anlage an der Unterseite getragen wird, besteht die Gefahr, daß Hände oder Finger gequetscht werden.

2.3. Außenmaße (Außenanlage) (Fig. 2-2)

2. Aufstellort

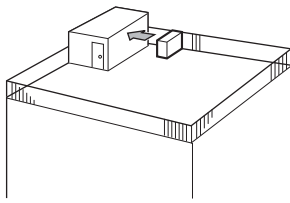


Fig. 2-3

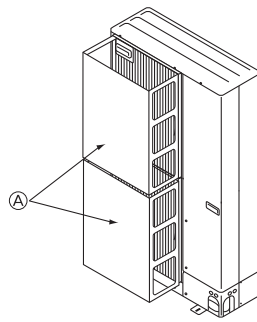


Fig. 2-4

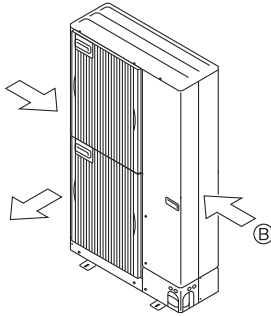


Fig. 2-5

2.4. Freiraum für Belüftung und Bedienung

2.4.1. Aufstellung an windanfälligen Aufstellorten

Bei Anbringung der Außenanlage auf dem Dach oder einem anderen, nicht vor Wind geschützten Ort, richten Sie die Luftaustrittsöffnung so aus, daß sie nicht unmittelbar starkem Wind ausgesetzt ist. Wenn starker Wind direkt in die Luftaustrittsöffnung bläst, kann dadurch der normale Luftstrom beeinträchtigt werden und so Fehlfunktionen entstehen.

Im folgenden zeigen drei Beispiele Vorkehrungen gegen starken Windeinfluß.

- ① Richten Sie die Luftaustrittsöffnung mit einem Abstand von etwa 50 cm auf die nächstgelegene Wand aus. (Fig. 2-3)
- ② Installieren Sie eine als Sonderzubehör erhältliche Luftauslaßführung, wenn die Anlage an einem Aufstellort installiert ist, an dem die Gefahr besteht, daß starker Wind direkt in die Luftaustrittsöffnung bläst. (Fig. 2-4)
 - A Luftauslaßführung
- ③ Bringen Sie die Anlage so an, daß die Abluft aus der Luftaustrittsöffnung im rechten Winkel zu derjenigen Richtung geführt wird, aus der saisonal bedingt starker Wind bläst. (Fig. 2-5)
 - B Windrichtung

2.4.2. Installation einer einzelnen Außenanlage (Siehe letzte Seite)

Die folgenden Mindestabmessungen gelten, außer für Max., was für Maximalabmessungen steht, wie angezeigt.

In jedem Einzelfall die jeweiligen Zahlenangaben beachten.

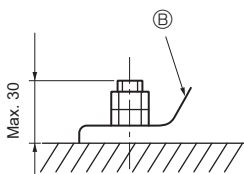
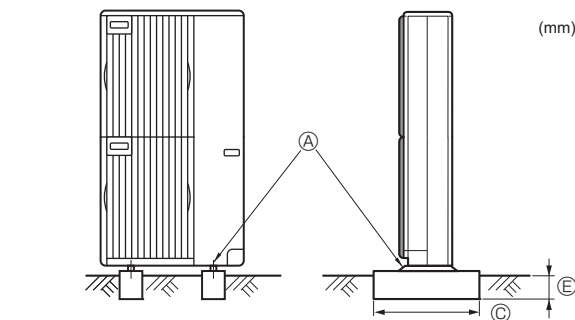
- ① Hindernisse nur auf der Rückseite (Fig. 2-6)
- ② Hindernisse nur auf der Rück- und Oberseite (Fig. 2-7)
- ③ Hindernisse nur auf der Rückseite und auf beiden Seiten (Fig. 2-8)
- ④ Hindernisse nur auf der Vorderseite (Fig. 2-9)
 - Bei Einsatz einer optionalen Luftauslaßführung beträgt die lichte Öffnung 500 mm oder mehr.
- ⑤ Hindernisse nur auf der Vorder- und Rückseite (Fig. 2-10)
 - Bei Einsatz einer optionalen Luftauslaßführung beträgt die lichte Öffnung 500 mm oder mehr.
- ⑥ Hindernisse nur auf der Rückseite, beiden Seiten und der Oberseite (Fig. 2-11)
 - Setzen Sie keine als Sonderzubehör erhältliche Luftauslaßführungen dazu ein, den Luftstrom nach oben umzuleiten.

2.4.3. Installation mehrerer Außenanlagen (Siehe letzte Seite)

Lassen Sie 10 mm oder mehr Platz zwischen den Geräten.

- ① Hindernisse nur auf der Rückseite (Fig. 2-12)
- ② Hindernisse nur auf der Rück- und Oberseite (Fig. 2-13)
 - Es dürfen nicht mehr als drei Anlagen nebeneinander installiert werden. Lassen Sie zusätzlich einen Freiraum wie dargestellt.
 - Setzen Sie keine als Sonderzubehör erhältliche Luftauslaßführungen dazu ein, den Luftstrom nach oben umzuleiten.
- ③ Hindernisse nur auf der Vorderseite (Fig. 2-14)
 - * Bei Einsatz einer optionalen Luftauslaßführung beträgt die lichte Öffnung 1000 mm oder mehr.
- ④ Hindernisse nur auf der Vorder- und Rückseite (Fig. 2-15)
 - * Bei Einsatz einer optionalen Luftauslaßführung beträgt die lichte Öffnung 1000 mm oder mehr.
- ⑤ Einzelanlagen in paralleler Anordnung (Fig. 2-16)
 - * Bei Verwendung einer als Sonderzubehör erhältlichen Luftauslaßführung zur Umleitung des Luftstroms nach oben muß der Freiraum 1000 mm oder mehr betragen.
- ⑥ Mehrfachanlagen in paralleler Anordnung (Fig. 2-17)
 - * Bei Verwendung einer als Sonderzubehör erhältlichen Luftauslaßführung zur Umleitung des Luftstroms nach oben muß der Freiraum 1500 mm oder mehr betragen.
- ⑦ Anlagen in gestapelter Anordnung (Fig. 2-18)
 - Es können maximal zwei Anlagen übereinander gestapelt werden.
 - Es dürfen nicht mehr als zwei Anlagenstapel nebeneinander installiert werden. Lassen Sie zusätzlich einen Freiraum wie dargestellt.

3. Einbau der Außenanlage



- A M10 (3/8 Zoll) Schraube
- B Bodenplatte
- C So lang wie möglich.
- D Entlüftungsöffnung
- E Tief in den Grund einsetzen

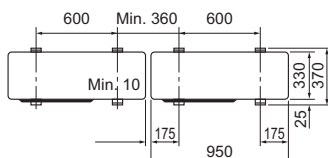


Fig. 3-1

- Die Anlage immer auf fester, ebener Oberfläche aufstellen, um Rattergeräusche beim Betrieb zu vermeiden. (Fig. 3-1)

<Spezifikationen des Fundaments>

Fundamentschraube	M10 (3/8 Zoll)
Betondicke	120 mm
Schraubenlänge	70 mm
Tragfähigkeit	320 kg

- Vergewissern, daß die Länge der Fundamentankerschraube innerhalb von 30 mm von der Unterseite der Bodenplatte liegt.
- Die Bodenplatte der Anlage mit 4 M10 Fundamentankerbolzen an tragfähigen Stellen sichern.

Installation der Außenanlage

- Die Entlüftungsöffnung darf nicht blockiert werden. Wenn die Entlüftungsöffnung blockiert ist, wird der Betrieb behindert, und es besteht die Gefahr des Ausfalls der Anlage.
- Verwenden Sie bei der Installation der Anlage zusätzlich zur Anlagenbodenplatte bei Bedarf die Installationsöffnungen auf der Rückseite der Anlage zum Befestigen von Elektroleitungen usw. Verwenden Sie zum Installieren vor Ort Blechschrauben (ø5 × 15 mm oder weniger).

⚠ Warnung:

- Die Anlage muß sicher an einem Gebäudeteil, das ihr Gewicht tragen kann, installiert werden. Wenn die Anlage an einem Gebäudeteil mit zu geringer Festigkeit installiert wird, besteht die Gefahr, daß sie herabfällt und Verletzungen oder Schäden verursacht.
- Die Anlage muß entsprechend den Anweisungen installiert werden, um die Gefahr von Schäden durch Erdbeben oder Stürme oder starken Windeinfluß zu minimieren. Bei einer nicht ordnungsgemäß installierten Anlage besteht die Gefahr, daß sie herabfällt und Verletzungen oder Schäden verursacht.

4. Installation der Kältemittelrohrleitung

4.1. Vorsichtsmaßnahmen bei Geräten, in denen das Kältemittel R410A verwendet wird

- Nachstehend nicht aufgeführte Vorsichtsmaßnahmen für die Verwendung von Klimaanlage mit dem Kältemittel R410A finden Sie auf 1.5.
 - Tragen Sie eine kleine Menge Esteröl/Ätheröl oder Alkylbenzol als Kältemittelöl auf die Konusanschlüsse auf.
 - Verwenden Sie zur Verbindung der Kältemittelrohrleitungen für nahtlose Rohre aus Kupfer und Kupferlegierungen Kupferphosphor C1220. Verwenden Sie Kältemittelrohre mit Stärken wie in der folgenden Tabelle angegeben. Vergewissern Sie sich, daß die Rohre von innen sauber sind und keine schädlichen Verunreinigungen wie Schwefelverbindungen, Oxidationsmittel, Fremdkörper oder Staub enthalten.
- Verwenden Sie zum Hartlöten der Rohrleitungen ausschließlich nichtoxidierendes Hartlot, anderenfalls wird der Kompressor beschädigt.

⚠️ Warnung:

Beim Installieren oder Umsetzen oder Warten der Klimaanlage darf nur das angegebene Kältemittel (R410A) zur Befüllung der Kältemittelleitungen verwendet werden. Vermischen Sie es nicht mit anderem Kältemittel und lassen Sie nicht zu, dass Luft in den Leitungen zurückbleibt.

Wenn sich Luft mit dem Kältemittel vermischt, kann dies zu einem ungewöhnlich hohen Druck in der Kältemittelleitung führen und eine Explosion oder andere Gefahren verursachen.

Die Verwendung eines anderen als des für das System angegebenen Kältemittels führt zu mechanischem Versagen, einer Fehlfunktion des Systems oder einer Beschädigung des Geräts. Im schlimmsten Fall kann sie ein schwerwiegendes Hindernis für die Aufrechterhaltung der Produktsicherheit darstellen.

Rohrgröße (mm)	ø6,35	ø9,52	ø12,7	ø15,88	ø19,05	ø22,2	ø25,4	ø28,58
Stärke (mm)	0,8	0,8	0,8	1,0	1,0	1,0	1,0	1,0

- Verwenden Sie keine dünneren Rohre als oben angegeben.

4.2. Rohranschlüsse

- Wenn im Handel erhältliche Kupferrohre verwendet werden, Flüssigkeits- und Gasrohre mit im Handel erhältlichem Isoliermaterial (Hitzebeständig bis 100 °C und mehr, Stärke 12 mm oder mehr) umwickeln.
- Die in der Anlage befindlichen Teile der Ablaßrohre sollten mit Isoliermaterial aus Schaumstoff (spezifisches Gewicht 0,03 - 9 mm oder stärker) umwickelt werden.
- Vor dem Anziehen der Konusmutter eine dünne Schicht Kältemittel-Öl auf das Rohr und auf die Oberfläche des Sitzes an der Nahtstelle auftragen. Ⓐ (Fig. 4-1)
- Mit zwei Schraubenschlüsseln die Rohrleitungsanschlüsse fest anziehen. Ⓑ (Fig. 4-1)
- Nach Vornahme der Anschlüsse diese mit einem Leckdetektor oder Seifenlauge auf Gasaustritt untersuchen.
- Tragen Sie Kältemaschinenöl auf die gesamte Konusauflagefläche auf. Ⓒ (Fig. 4-1)
- Die Konusmutter für die nachstehende Rohrgröße verwenden. Ⓓ (Fig. 4-1)

Gasseite	Rohrgröße (mm)	RP50	RP60,71	RP100-140
Flüssigkeitsseite	Rohrgröße (mm)	ø12,7	ø15,88	ø15,88
	Rohrgröße (mm)	ø6,35	ø9,52	ø9,52

- Achten Sie beim Biegen der Rohre sorgfältig darauf, sie nicht zu zerbrechen. Biegungsradien von 100 mm bis 150 mm sind ausreichend.
- Achten Sie darauf, daß die Rohre keinen Kontakt mit dem Kompressor haben. Andernfalls könnten unnormale Geräusche oder Schwingungen auftreten.

① Die Rohre müssen ausgehend von der Innenanlage miteinander verbunden werden. Die Konusmutter müssen mit einem Drehmomentschlüssel festgezogen werden.

② Weiten Sie die Flüssigkeits- und Gasrohre auf, und tragen Sie etwas Kältemittelöl auf (Vor Ort aufzutragen).

- Wenn normale Rohrdichtungen verwendet werden, beachten Sie Tabelle 1 zum Aufweiten von Rohren für Kältemittel R410A.

Die Abmessungen-B können mit einem Meßgerät zur Größenanpassung überprüft werden.

Tabelle 1 (Fig. 4-2)

Kupferrohr O.D. (mm)	B (mm)	
	Aufweitungswerkzeug für R410A	Aufweitungswerkzeug für R22-R407C
	Kupplungsbauweise	
ø6,35 (1/4")	0 - 0,5	1,0 - 1,5
ø9,52 (3/8")	0 - 0,5	1,0 - 1,5
ø12,7 (1/2")	0 - 0,5	1,0 - 1,5
ø15,88 (5/8")	0 - 0,5	1,0 - 1,5
ø19,05 (3/4")	0 - 0,5	1,0 - 1,5

③ Gehen Sie wie folgt vor, um die Rohrleitungen der Gasseite anzuschließen. (Fig. 4-3)

1 Löten Sie das beiliegende Verbindungsrohr Ⓔ mit bauseits vorhandenem, oxidationsfreien Lötmaterial zwischen Außengerät und der Hausrohrleitung Ⓒ ein.

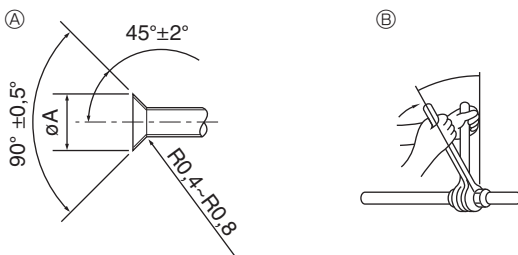
2 Verbinden Sie das Verbindungsrohr Ⓔ mit dem Absperrventil auf der Gasseite. Verwenden Sie zwei Gabelschlüssel zum Anziehen der Konusmutter.

* Wenn die Reihenfolge vertauscht wird, tritt Kältemittel aus, da Bauteile durch die Hitze beim Löten beschädigt werden.

- Bei PEA-RP200, 250, 400, 500GA

Die Rohrverbindung erfolgt durch Hartlöten.

Gasseite	Rohrgröße (mm)	PEA-200	PEA-250	PEA-400	PEA-500
Flüssigkeitsseite <td>Rohrgröße (mm)</td> <td>ø9,52</td> <td>ø12,7</td> <td>ø9,52</td> <td>ø12,7</td>	Rohrgröße (mm)	ø9,52	ø12,7	ø9,52	ø12,7



Ⓐ Abmessungen der Aufweitungsschnitte
Ⓑ Anzugsdrehmoment für die Konusmutter

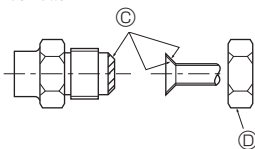


Fig. 4-1

Ⓐ (Fig. 4-1)

Kupferrohr O.D. (mm)	Aufweitungsabmessungen øA Abmessungen (mm)
ø6,35	8,7 - 9,1
ø9,52	12,8 - 13,2
ø12,7	16,2 - 16,6
ø15,88	19,3 - 19,7
ø19,05	23,6 - 24,0

Ⓑ (Fig. 4-1)

Kupferrohr O.D. (mm)	Konusmutter O.D. (mm)	Anzugsdrehmoment (N·m)
ø6,35	17	14 - 18
ø6,35	22	34 - 42
ø9,52	22	34 - 42
ø12,7	26	49 - 61
ø12,7	29	68 - 82
ø15,88	29	68 - 82
ø15,88	36	100 - 120
ø19,05	36	100 - 120

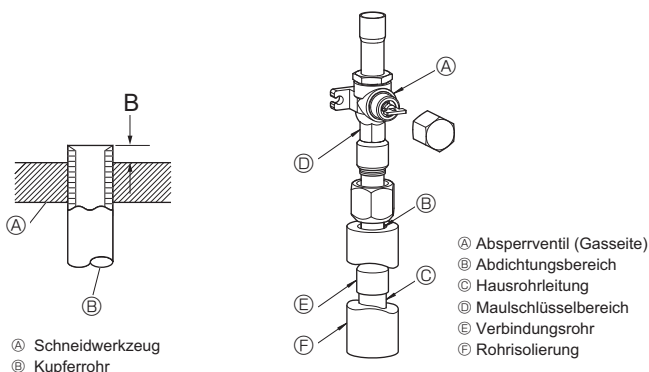


Fig. 4-2

Fig. 4-3

4. Installation der Kältemittelrohrleitung

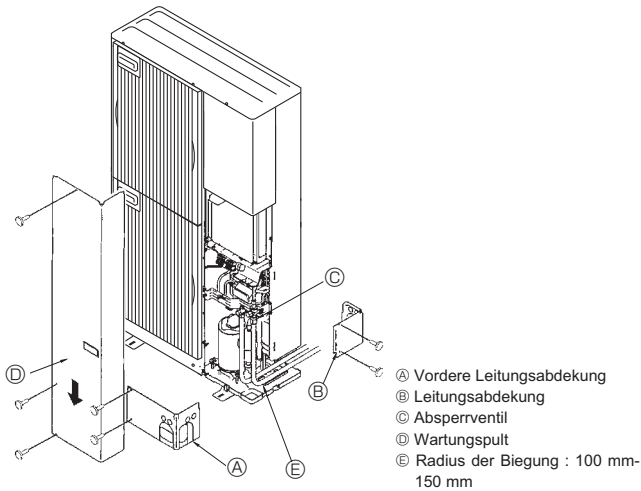
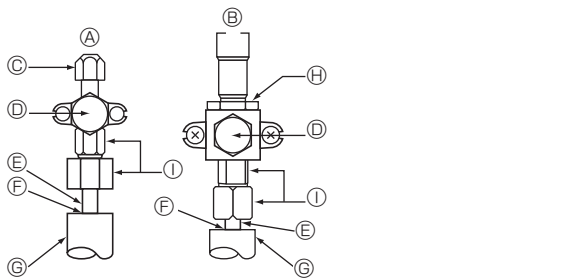


Fig. 4-4



- Ⓐ Absperrventil <Flüssigkeitsseite>
- Ⓑ Absperrventil <Gasseite>
- Ⓒ Ausgang der Wartungseinheit
- Ⓓ Abschnitt öffnen/schließen
- Ⓔ Hausrohrleitung
- Ⓕ Abdichtungsbereich
(Dichten Sie das Ende des Rohrisolierungsmaterials im Rohranschlussbereich mit einem geeigneten Material Ihrer Wahl ab, so dass kein Wasser in das Isolierungsmaterial eindringen kann.)
- Ⓖ Rohrabdeckung
- Ⓗ Hier keinen Maulschlüssel usw. verwenden.
Es kann ein Kältemittelleck entstehen.
- Ⓘ Maulschlüsselbereich
(Setzen Sie Maulschlüssel nur in diesem Bereich an. Anderenfalls können Kältemittellecks entstehen.)

Fig. 4-5

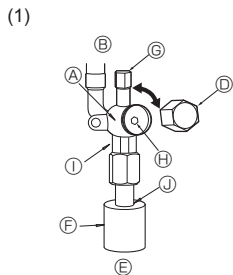


Fig. 4-6

- Ⓐ Ventil
- Ⓑ Anlagenseite
- Ⓒ Handgriff
- Ⓓ Kappe
- Ⓔ Hausrohrleitungsseite
- Ⓕ Rohrisolierung
- Ⓖ Ausgang der Wartungseinheit
- Ⓗ Schraubenschlüsselöffnung

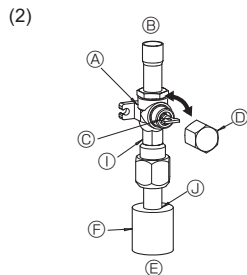
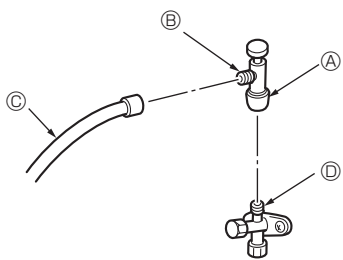


Fig. 4-7

- Ⓘ Maulschlüsselbereich
(Setzen Sie Maulschlüssel nur in diesem Bereich an. Anderenfalls können Kältemittellecks entstehen.)
- Ⓙ Abdichtungsbereich
(Dichten Sie das Ende des Rohrisolierungsmaterials im Rohranschlussbereich mit einem geeigneten Material Ihrer Wahl ab, so dass kein Wasser in das Isolierungsmaterial eindringen kann.)



- * Die Abbildung links ist nur ein Beispiel. Die Form des Absperrventils, die Position des Ausgangs der Wartungseinheit etc. können modellabhängig abweichen.
- * Nur Bereich Ⓐ drehen. (Die Bereiche Ⓐ und Ⓑ nicht weitere gegeneinander anziehen.)

- Ⓒ Füllschlauch
- Ⓓ Ausgang der Wartungseinheit

Fig. 4-8

4.3. Kältemittelrohrleitung (Fig. 4-4)

Das Wartungspult ④ (3 Schrauben) und die vordere Leitungsabdeckung ① (2 Schrauben) sowie die rückwärtige Leitungsabdeckung ② (2 Schrauben) abnehmen.

- ① Die Kältemittelrohrleitung-Verbindungen für die Innen-/Außenanlage vornehmen, wenn das Absperrventil der Außenanlage vollständig geschlossen ist.
- ② Luftreinigung unter Vakuum vom Innenaggregat und dem Rohrleitungsanschluss aus.
- ③ Kontrollieren Sie nach dem Anschließen der Kältemittelrohrleitungen die angeschlossenen Rohre und die Innenanlage auf Gasaustritt. (Siehe 4.4. Verfahren zum Prüfen der Rohre auf Dichtigkeit.)
- ④ Eine Hochleistungs-Vakuumpumpe wird an der Wartungseinheit des Sperrventils verwendet, um ein Vakuum für eine geeignete Zeit (mindestens 1 Stunde zu erzeugen, nachdem -101 kPa (5 Torr) erreicht sind, um das Rohrinne vakuumzutrocknen. Prüfen Sie immer die Stärke des Vakuums am Kaliber des Rohrverteilers. Wenn Feuchtigkeit im Rohr verbleibt, wird die erforderliche Stärke des Vakuums bei kurzer Vakuumanwendung manchmal nicht erreicht. Nach der Vakuumentrocknung öffnen Sie die Sperrventile vollständig (sowohl für Kältemittel als auch für Gas) für das Außengerät. Auf diese Weise werden die Kältemittelleitungen von Innen- und Außengeräten vollständig miteinander verbunden.
 - Wenn das Vakuumtrocknen nicht adäquat durchgeführt wird, verbleiben Luft und Wasserdampf in den Kühlkreisläufen und können einen anormalen Anstieg des Überdrucks, einen anormalen Abfall des Unterdrucks, Zersetzung des Kältemittels aufgrund von Feuchtigkeit usw. verursachen.
 - Wenn die Sperrventile geschlossen bleiben und die Anlage betrieben wird, werden Kompressor und Steuerventile beschädigt.
 - Suchen Sie nach Vornahme der Anschlüsse mit einem Gasaustrittsprüfgerät oder Seifenlauge nach Gasaustritt an den Rohrverbindungsstellen der Außenanlage.
 - Verdrängen Sie die Luft aus den Kältemittelleitungen nicht mit dem Kältemittel aus der Anlage.
 - Ziehen Sie nach Beendigung des Ventilbetriebs die Ventilkappen mit dem vorgeschriebenen Drehmoment an: 20 bis 25 N·m (200 bis 250 kgf·cm). Wird es versäumt, die Kappen wieder aufzusetzen und anzuziehen, tritt möglicherweise Kältemittel aus. Achten Sie auch darauf, die Innenseiten der Ventilkappen nicht zu beschädigen, da sie als Dichtung zur Verhinderung von Kältemittelaustritt dienen.
- ⑤ Dichten Sie die Seiten der Wärmeisolierung um die Leitungsanschlüsse herum mit einem Dichtungsmittel ab, um zu verhindern, daß Wasser in die Wärmeisolierung eindringt.

4.4. Verfahren zum Prüfen der Rohre auf Dichtigkeit (Fig. 4-5)

- (1) Schließen Sie die Prüfwerkzeuge an.
 - Vergewissern Sie sich, daß die Sperrventile ① ② geschlossen sind und öffnen Sie sie nicht.
 - Bauen Sie über die Wartungseinheit ③ des Flüssigkeitssperrventils ① Druck in den Kältemittelleitungen auf.
- (2) Bauen Sie den Druck nicht sofort auf den angegebenen Wert auf, sondern erhöhen Sie ihn nach und nach.
 - ① Bauen Sie einen Druck von 0,5 MPa (5 kgf/cm²G) auf, warten Sie 5 Minuten, und vergewissern Sie sich dann, daß der Druck nicht abfällt.
 - ② Bauen Sie einen Druck von 1,5 MPa (15 kgf/cm²G) auf, warten Sie 5 Minuten, und vergewissern Sie sich dann, daß der Druck nicht abfällt.
 - ③ Bauen Sie einen Druck von 4,15 MPa (41,5 kgf/cm²G) auf und messen Sie Umgebungstemperatur und Kältemittelruck.
- (3) Wenn der angegebene Druck einen Tag lang gehalten wird und nicht abfällt, haben die Rohre den Test bestanden, und es entweicht keine Luft.
 - Wenn sich die Umgebungstemperatur um 1 °C ändert, ändert sich dabei der Druck um etwa 0,03 MPa (0,3 kgf/cm²G). Nehmen Sie die erforderlichen Korrekturen vor.
- (4) Wenn der Druck in den Schritten (2) oder (3) abfällt, entweicht Gas. Suchen Sie nach der Gasaustrittsstelle.

4.5. Verfahren zum Öffnen des Absperrventils

Die Öffnungsmethode des Sperrventils variiert je nach Typ des Außengerätes. Verwenden Sie die jeweilige Methode zum Öffnen der Sperrventile.

- (1) Flüssigkeitsseite des Absperrventils (Fig. 4-6)
 - ① Entfernen Sie die Kappe und drehen Sie die Ventilstange mit einem 4 mm-Sechskantschlüssel bis zum Anschlag gegen den Uhrzeigersinn. Hören Sie auf zu drehen, wenn der Anschlag erreicht ist. (Etwa 10 Umdrehungen)
 - ② Sicherstellen, daß das Absperrventil vollständig offen ist, und die Kappe zurück in Ausgangsstellung drehen.
 - (2) Gasseite des Absperrventils (Fig. 4-7)
 - ① Entfernen Sie die Kappe, ziehen Sie den Griff zu sich hin und drehen Sie zum Öffnen 1/4 Drehung gegen den Uhrzeigersinn.
 - ② Achten Sie darauf, dass das Absperrventil vollständig geöffnet ist, drücken Sie den Griff hinein und schrauben Sie die Kappe wieder an der ursprünglichen Position auf.
- Kältemittelleitungen sind zum Schutz umhüllt
- Die Rohre können vor oder nach dem Anschließen bis zu einem Durchmesser von $\varnothing 90$ mit einer Schutzumwicklung versehen werden. Schneiden Sie das Loch zum Ausbrechen in der Rohrabdeckung entlang der Einkerbung aus, und umwickeln Sie die Rohre.
- Rohreingangsöffnung
- Dichten Sie den Rohreinlaß um die Rohre herum mit Dichtmasse oder Spachtel, so daß keine Zwischenräume mehr vorhanden sind. (Wenn die Zwischenräume nicht abgedichtet sind, ist kein ausreichender Lärmschutz gegeben oder Wasser und Schmutz dringen in die Anlage ein und können ihren Ausfall verursachen.)

Vorsichtsmaßnahmen bei Verwendung des Füllventils (Fig. 4-8)

Den Ausgang der Wartungseinheit bei der Installation nicht zu fest anziehen, da sich andernfalls der Ventileinsatz verformen und lösen kann, so dass Gas entweichen kann.

Wenn Bereich ③ in die gewünschte Position gebracht ist, nur den Bereich ① drehen und festziehen.

Die Bereiche ① und ② nicht weitere gegeneinander anziehen, wenn Bereich ① festgezogen ist.

⚠ Warnung:

Schließen Sie die Kältemittelleitungen beim Installieren des Geräts fest an, bevor Sie den Kompressor einschalten.

4. Installation der Kältemittelrohrleitung

4.6. Zugabe von Kältemittel

- Eine zusätzliche Füllung ist nicht erforderlich, wenn die Rohrlänge 30 m nicht überschreitet.
 - Wenn die Länge der Rohre diese Werte überschreitet, zusätzliches Kältemittel R410A gemäß zulässiger Rohrlängenangabe in der Tabelle unten in die Anlage einfüllen.
 - * Füllen Sie bei ausgeschalteter Anlage diese durch das Flüssigkeitssperrenventil mit weiterem Kältemittel, nachdem in den Rohrverlängerungen und der Innenanlage ein Vakuum erzeugt wurde.
- Wenn die Anlage läuft, füllen Sie über das Absperrventil mittels eines Sicherheitsfüllers Kältemittel nach. Kältemittel darf nicht direkt in das Absperrventil eingefüllt werden.

- * Vermerken Sie nach dem Füllen der Anlage mit Kältemittel die hinzugefügte Kältemittelmenge auf dem (an der Anlage angebrachten) Wartungsaufkleber. Weitere Informationen finden Sie im Abschnitt "1.5. Einsatz von Klimaanlage mit dem Kältemittel R410A".
- Gehen Sie bei der Installation von mehreren Anlagen sorgfältig vor. Ein Anschluß an die falsche Innenanlage kann zu abnorm hohem Druck führen und die Leistung der Anlage stark beeinträchtigen.

Modell	Zulässige Rohrlänge	Zulässige vertikale Differenz	Zusätzliche Kältemittelfüllmenge			
			31 - 40 m	41 - 50 m	51 - 60 m	61 - 70 m
P200	70 m	30 m	0,9 kg	1,8 kg	2,7 kg	3,6 kg
P250			1,2 kg	2,4 kg	3,6 kg	4,8 kg

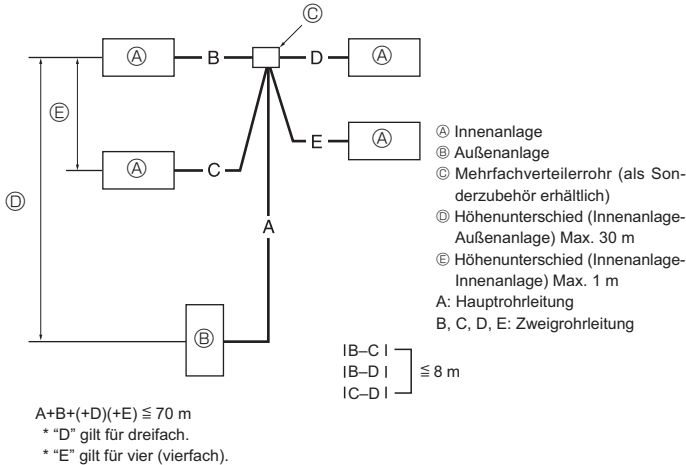


Fig. 4-9

4.7. Für Doppel-/Dreifach-/Vierfachkombination (Fig. 4-9)

- Bei Verwendung dieser Anlage als FREIER KOMBINierter MEHRFACH-Anlage, die Kältemittelrohrleitung unter Berücksichtigung der in der Zeichnung links angegebenen Einschränkungen installieren. Wenn darüber hinaus die Beschränkungen wahrscheinlich überschritten werden oder wenn wahrscheinlich Kombinationen von Innen- und Außenanlagen entstehen werden, die Einzelheiten über die Installation den Installationsanweisungen für die Innenanlage entnehmen.

Außenanlage	Zulässige Gesamtröhrlängelänge A+B+C+D+E	Rohrlänge ohne Füllung A+B+C+D+E
P200 P250	70 m und weniger	30 m und weniger
Außenanlage	B-C oder B-D oder B-E oder C-D oder C-E oder D-E	Zahl der Krümmer
P200 P250	8 m und weniger	Innerhalb 15

5. Verrohrung der Dränage

Dränagerohranschluß der Außenanlage

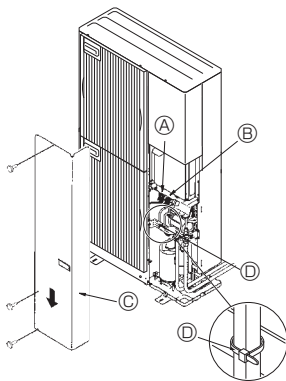
Wenn eine Abflußrohrleitung erforderlich ist, den Abflußstopfen oder die Ablaufpfanne (Zubehör) verwenden.

Abflußstopfen	PAC-SG61DS-E
Ablaufpfanne	PAC-SG64DP-E

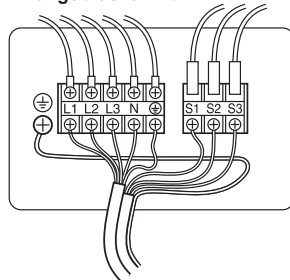
6. Elektroarbeiten

6.1. Außenanlage (Fig. 6-1, Fig. 6-2)

- (1) Die Bedienungsplatte abnehmen.
- (2) Die Kabel gemäß der Fig. 6-1 und der Fig. 6-2 verdrahten.



Hinweis: Wenn das Schutzblech am Schaltkasten zur Bedienung und Wartung entfernt wurde, dafür sorgen, dass es wieder angebracht wird.



- (A) Klemmleiste für den Netzanschluss (L1, L2, L3, N, ⊕)
- (B) Klemmleiste für den Anschluss der Innen-/Außenanlage (S1, S2, S3)
- (C) Bedienungsplatte
- (D) Klemme

* Fassen Sie die Kabel so zusammen, dass sie nicht die Mitte der Wartungsabdeckung oder das Gasventil berühren.

⚠ Vorsicht: Einbau der N-Leitung sicherstellen. Ohne N-Leitung können Schäden an der Anlage auftreten.

* Außer PEA-RP200, 250, 400, 500GA

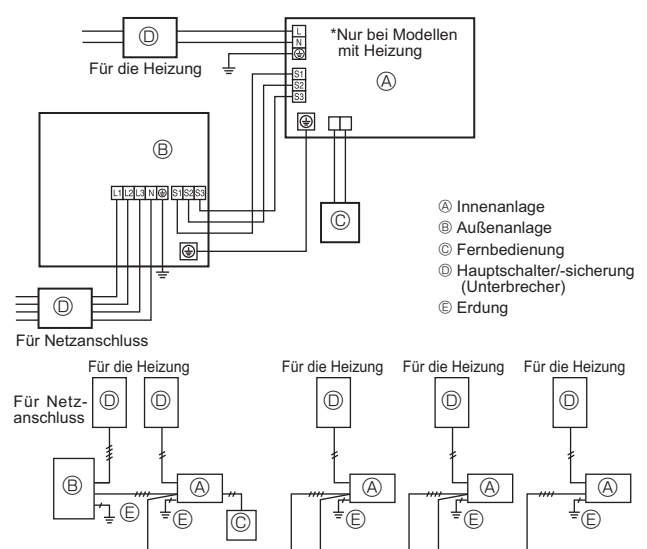
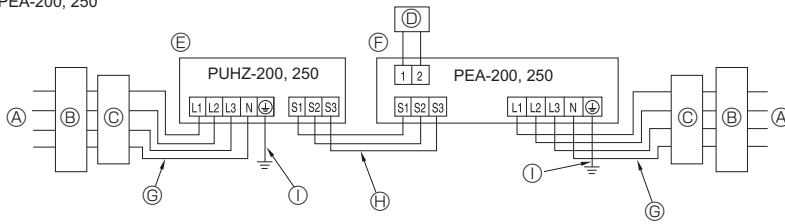


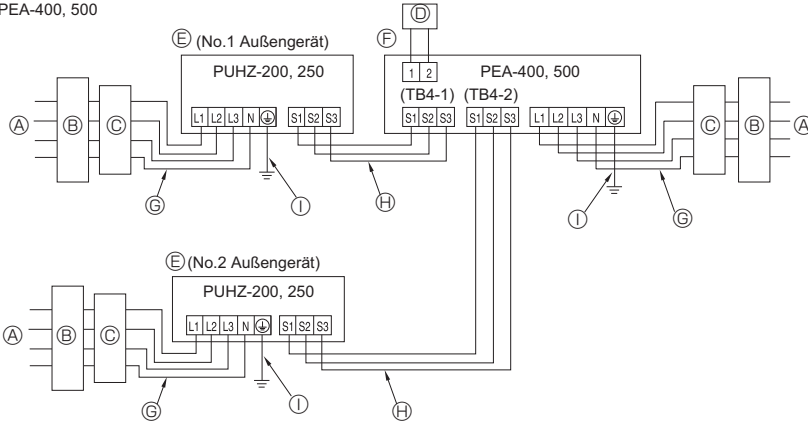
Fig. 6-1

6. Elektroarbeiten

* Bei PEA-200, 250

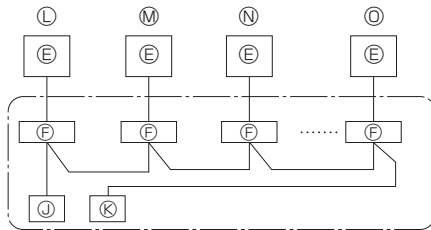


* Bei PEA-400, 500



- Ⓐ Stromversorgung
- Ⓑ Erdschlussschalter
- Ⓒ Leistungsschalter oder Vor-Ort-Schalter
- Ⓓ LCD-Fernbedienung
- Ⓔ Außenanlage
- Ⓕ Innenanlage
- Ⓖ Netzkabel
- Ⓗ Innen-/Außengerät-Verbindungskabel
- Ⓘ Erdung
- Ⓚ Haupt-Fernbedienung
- Ⓛ Neben-Fernbedienung
- Ⓜ Standard (Kältemitteladresse = 00)
- Ⓝ Kältemitteladresse = 01
- Ⓟ Kältemitteladresse = 02
- Ⓠ Kältemitteladresse = 03
- Ⓡ Kältemitteladresse = 14
- Ⓢ Kältemitteladresse = 15

* Bei PEA-200, 250



* Bei PEA-400, 500

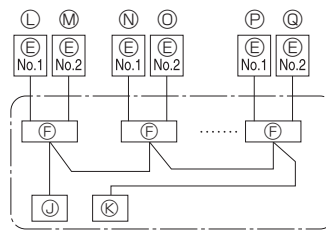


Fig. 6-2

6.2. Elektrische Feldverdrahtung

Außenanlage Modell		P200, 250
Außenanlage Stromversorgung	Phase Frequenz und Spannung	3N~(3Ph 4-adrig), 50 Hz, 400 V
Eingangskapazität der Außenanlage		
Hauptschalter (Unterbrecher)	*1	32 A
Verdrahtung Zahl der Leitungen x Stärke (mm ²)	Außenanlage Stromversorgung	5 x Min. 4
	Innenanlage-Außenanlage	*2 Kabellänge 50 m : 3 x 4 (Polar)/Kabellänge 80 m : 3 x 6 (Polar)
	Erdungsleitung der Innen-/Außenanlage	1 x Min. 2,5
	Fernbedienung-Innenanlage	*3 2 x 0,3 (Nicht polar)
Nennspannung des Stromkreises	Außenanlage L1-N, L2-N, L3-N	AC 230 V
	Innenanlage-Außenanlage S1-S2	*4 AC 230 V
	Innenanlage-Außenanlage S2-S3	*4 DC 24 V
	Fernbedienung-Innenanlage	*4 DC 12 V

*1. An jedem der einzelnen Pole einen Erdschlussunterbrecher (NV) mit einem Kontaktabstand von mindestens 3 mm einsetzen.

*2. Max. 80 m. einschließlich aller Innen-/Innenanschlüsse beträgt das Gesamtmaximum 80 m.

• Wie in der Abbildung dargestellt, ein Kabel für S1 und S2 und ein weiteres für S3 verwenden.

• Max. 50 m. Gesamtmaximum für PEA. Leitungsquerschnitt 3 x 1,5 (Polar).

*3. Das Fernbedienungszubehör ist mit einer Elektroleitung von 10 m ausgestattet.

*4. Der Spannungsbereich gilt NICHT gegenüber der Erdleitung.

Klemme S3 hat 24 V Gleichstrom gegenüber Klemme S2. Zwischen den Klemmen S3 und S1 gibt es keine elektrische Isolierung durch den Transformator oder eine andere elektrische Vorrichtung.



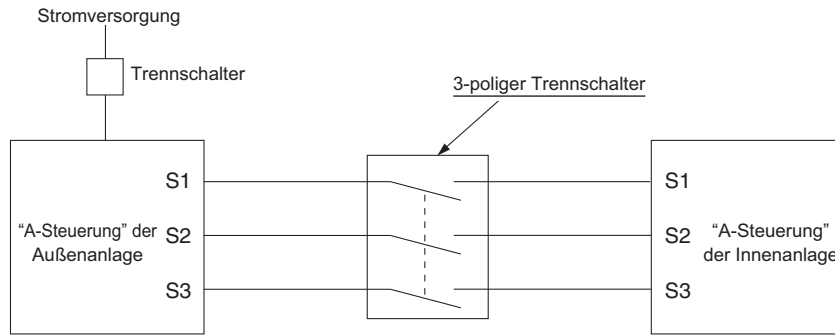
Hinweise: 1. Die Größe der Elektroleitung muß den jeweiligen örtlichen und nationalen gesetzlichen Vorschriften entsprechen.

2. Als Kabel für die Stromversorgung und die Verbindung von Innen- und Außenanlage muß mindestens ein polychloropren-beschichtetes, flexibles Kabel (entsprechend 60245 IEC 57) gewählt werden.

3. Die Erdungsleitung muss länger als die anderen Elektroleitungen sein, damit sie bei Ausübung von Zugspannung nicht getrennt wird.

Spleißen Sie niemals das Netzkabel oder das Verbindungskabel zwischen Innenaggregat und Außengerät, da es andernfalls zu Rauchentwicklung, einem Brand oder einem Kommunikationsfehler kommen kann.





6. Elektroarbeiten



⚠ Warnung:

Bei der Steuerleitung A gibt es auf Grund der Auslegung des Stromkreises, der keine Isolierung zwischen Netzleitung und Übertragungsleitung hat, an der Klemme S3 ein Hochspannungspotential. Daher bitte bei der Wartung den Netzstrom ausschalten. Auch bitte die Klemmen S1, S2, S3 nicht berühren, wenn Netzstrom anliegt. Wenn zwischen Innen- und Außengerät ein Trennschalter eingesetzt werden soll, bitte einen 3-poligen Schalter verwenden.

VERDRÄHTUNGSDATEN FÜR 220-240 V 50 Hz (ANSCHLUSSKABEL FÜR INNEN-/AUSSENANLAGE)

Kabelquerschnitt	Drahtgröße (mm ²)	Anzahl der Drähte	Polarität	L (m)*6
Rund 	2,5	3	Im Uhrzeigersinn : S1-S2-S3 * Auf Gelb- und Grünstreifen achten	(30) *2
Flach 	2,5	3	Nicht zutreffend (Weil Mitteldraht keine Endabdeckung hat)	Nicht zutreffend *5
Flach 	1,5	4	Von links nach rechts : S1-Unbelegt-S2-S3	(18) *3
Rund 	2,5	4	Im Uhrzeigersinn : S1-S2-S3-Unbelegt * S1 und S3 an die gegenüberliegende Seite anschließen	(30) *4

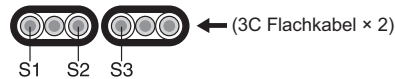
*1 : Netzanschlusskabel für Geräte dürfen nicht leichter als Ausführung 60245 IEC oder 227 IEC sein.

*2 : Für den Fall, dass ein Kabel mit Gelb- und Grünstreifen vorhanden ist.

*3 : Bei Anschluss mit Normalpolarität (S1-S2-S3), ist die Drahtgröße 1,5 mm².

*4 : Bei Anschluss mit Normalpolarität (S1-S2-S3).

*5 : Wenn flache Kabel, wie in der Abbildung dargestellt, angeschlossen sind, dürfen sie bis zu 30 m lang sein.



*6 : Die angegebene Kabellänge stellt nur einen Richtwert dar. Je nach Installationsbedingungen, wie Luftfeuchtigkeit, Materialien etc., ist eine Abweichung möglich.

Darauf achten, die Verbindungskabel zwischen Außen- und Innenanlage direkt an die Geräte anzuschließen. (Keine Zwischenanschlüsse). Zwischenanschlüsse können Kommunikationsfehler verursachen, wenn Wasser in die Kabel eindringt und unzureichende Isolierung zur Erdung oder schlechten Stromkontakt am Zwischenanschlusspunkt zur Folge hat.

7. Testlauf

7.1. Vor dem Testlauf

- ▶ Nach Installation, Verdrahtung und Verlegung der Rohrleitungen der Innen- und Außenanlagen überprüfen und sicherstellen, daß kein Kältemittel ausläuft, Netzstromversorgung und Steuerleitungen nicht locker sind, Polarität nicht falsch angeordnet und keine einzelne Netzanschlußphase getrennt ist.
- ▶ Mit einem 500-Volt-Megohmmeter überprüfen und sicherstellen, daß der Widerstand zwischen Stromversorgungsklemmen und Erdung mindestens 1,0 MΩ beträgt.
- ▶ Diesen Test nicht an den Klemmen der Steuerleitungen (Niederspannungstromkreis) vornehmen.

⚠ Warnung:

Die Klimaanlage nicht in Betrieb nehmen, wenn der Isolationswiderstand weniger als 1,0 MΩ beträgt.

Isolationswiderstand

Nach der Installation oder nachdem die Anlage längere Zeit von der Stromversorgung getrennt war, fällt der Isolationswiderstand auf Grund der Kältemittelansammlung im Kompressor unter 1 MΩ. Es liegt keine Fehlfunktion vor. Gehen Sie wie folgt vor.

1. Trennen Sie die Stromleitungen vom Kompressor, und messen Sie den Isolationswiderstand des Kompressors.
2. Wenn der Isolationswiderstand niedriger als 1 MΩ ist, ist der Kompressor entweder defekt oder der Widerstand ist auf Grund der Kältemittelansammlung im Kompressor gefallen.
3. Nach dem Anschließen der Stromleitungen und dem Einschalten des Netzstroms, beginnt der Kompressor warmzulaufen. Messen Sie den Isolationswiderstand nach den unten aufgeführten Einschaltzeiten erneut.

- Der Isolationswiderstand fällt auf Grund der Kältemittelansammlung im Kompressor ab. Der Widerstand steigt auf über 1 MΩ, nachdem sich der Kompressor 4 Stunden lang warmgelaufen hat. (Die Zeit, die zum Erwärmen des Kompressors erforderlich ist, ist je nach Wetterbedingungen und Kältemittelansammlung unterschiedlich.)
 - Um den Kompressor mit einer Kältemittelansammlung im Kompressor zu betreiben, muß der Kompressor mindestens 12 Stunden lang warmlaufen, um einen Ausfall zu verhindern.
4. Wenn der Isolationswiderstand über 1 MΩ ansteigt, ist der Kompressor nicht defekt.

⚠ Vorsicht:

- Kompressor arbeitet nicht, wenn Phasen der Netzstromversorgung nicht richtig angeschlossen sind.
- Strom mindestens 12 Stunden vor Betriebsbeginn einschalten.
- Betriebsbeginn unmittelbar nach Einschalten des Netzschalters kann zu schwerwiegenden Schäden der Innenteile führen. Während der Saison Netzschalter eingeschaltet lassen.

▶ Die nachfolgenden Positionen müssen ebenfalls überprüft werden.

- Die Außenanlage ist nicht defekt. LED1 und LED2 auf der Schalttafel der Außenanlage blinken, wenn die Außenanlage defekt ist.
- Sowohl das Gas- als auch das Flüssigkeitssperventil sind vollständig geöffnet.
- Ein Schutz bedeckt die DIP-Schalttafel auf der Schalttafel der Außenanlage. Entfernen Sie den Schutz, damit Sie die DIP-Schalter leicht bedienen können.

7.2. Testlauf

7.2.1. SW4 in der Außenanlage verwenden

SW4-1	ON/EIN	Betriebsart Kühlung
SW4-2	OFF/AUS	
SW4-1	ON/EIN	Betriebsart Heizung
SW4-2	ON/EIN	

* Nach Durchführung des Testlaufs SW4-1 auf OFF/AUS einstellen.

- Nach dem Einschalten ist möglicherweise ein leises Klicken aus dem Inneren der Außenanlage zu hören. Das elektronische Expansionsventil öffnet und schließt sich. Die Anlage ist nicht defekt.

- Einige Sekunden nach dem Anlaufen des Kompressors ist möglicherweise ein klingendes Geräusch aus dem Inneren der Außenanlage zu hören. Dieses Geräusch stammt vom Absperrventil auf Grund geringer Druckunterschiede in den Rohren. Die Anlage ist nicht defekt.

Der Testlauf-Modus kann während des Testlaufs nicht mittels des DIP-Schalters SW4-2 geändert werden. (Zum Ändern des Testlauf-Modus müssen Sie den Testlauf mit DIP-Schalter SW4-1 ausschalten. Nach Änderung des Testlauf-Modus können Sie den Testlauf mit Schalter SW4-1 fortsetzen.)

7.2.2. Benutzung der Fernbedienung

Beziehen Sie sich auf das Innenanlagen-Installationshandbuch.

8. Spezielle Funktionen

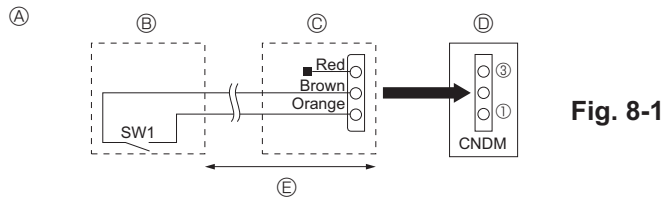


Fig. 8-1
 A Beispiel eines Schaltplans (Lärmschutzmodus) B Anordnung vor Ort
 C Externer Eingangsadapter (PAC-SC36NA) D Schalttafel der Außenanlage
 E Max. 10 m

8.1. Lärmschutzmodus (Änderung vor Ort) (Fig. 8-1)

Mittels der folgenden Änderung kann das Betriebsgeräusch der Außenanlage um etwa 3 bis 4 dB reduziert werden. Der Lärmschutzmodus wird aktiviert, wenn ein im Fachhandel erhältlicher Timer oder der Kontakteingang eines Ein-/Ausschalters an den CNDM-Stecker (als Sonderzubehör käuflich zu erwerben) auf der Schalttafel der Außenanlage zusätzlich angebracht wird.

- Die Wirksamkeit hängt von den Außentemperaturen und den Betriebsbedingungen usw. ab.
- Vervollständigen Sie bei Verwendung des externen Eingangsadapters (PAC-SC36NA) (Als Sonderzubehör käuflich zu erwerben) den Stromkreis wie dargestellt.
- SW1 ON/EIN: Lärmschutzmodus
SW1 OFF/AUS: Normalbetrieb

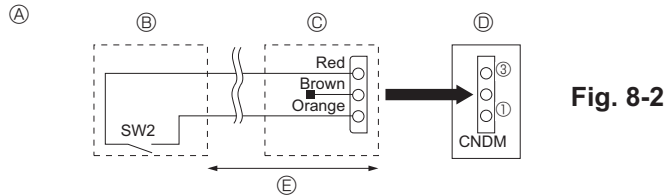


Fig. 8-2
 A Beispiel eines Schaltplans (Anforderungs- funktion) B Anordnung vor Ort
 C Externer Eingangsadapter (PAC-SC36NA) D Schalttafel der Außenanlage
 E Max. 10 m

8.2. Anforderungsfunktion (Veränderung vor Ort) (Fig. 8-2)

Mittels der folgenden Änderung kann der Stromverbrauch auf 0-100% des normalen Verbrauchs reduziert werden. Die Anforderungsfunktion wird aktiviert, wenn ein im Fachhandel erhältlicher Timer oder der Kontakteingang eines EIN/AUS-Schalters an den CNDM-Stecker (als Sonderzubehör erhältlich) auf der Schalttafel der Außenanlage angebracht wird.

- Vervollständigen Sie bei Verwendung des externen Eingangsadapters (PAC-SC36NA) (Als Sonderzubehör käuflich zu erwerben) den Stromkreis wie dargestellt.
- Durch Einstellen von SW7-1 und SW7-2 auf der Schalttafel der Außenanlage kann der Stromverbrauch (im Vergleich zum normalen Verbrauch) wie unten gezeigt gesenkt werden.

SW7-1	SW7-2	Stromverbrauch (SW2 ON)
OFF	OFF	0% (Stopp)
ON	OFF	50%
OFF	ON	75%

8.3. Kältemittel sammeln (Abpumpen)

Gehen Sie zum Sammeln des Kältemittels wie im folgenden beschrieben vor, wenn die Innen- oder die Außenanlage an einen anderen Aufstellungsort transportiert werden soll.

- Schalten Sie die Anlage ein (Leistungsschalter).
 - Vergewissern Sie sich nach dem Einschalten, daß auf der Fernbedienung nicht "CENTRALLY CONTROLLED" (ZENTRAL GESTEUERT) angezeigt wird. Falls "CENTRALLY CONTROLLED" (ZENTRAL GESTEUERT) angezeigt wird, kann das Sammeln (Abpumpen) des Kältemittels nicht normal abgeschlossen werden.
 - Die Kommunikation zwischen Innen- und Außenanlage startet etwa 3 Minuten nach Einschalten der Stromversorgung (Trennschalter). Starten Sie den Abpump-Betrieb 3 bis 4 Minuten nach Einschalten der Stromversorgung (Trennschalter).
- Stellen Sie nach dem Schließen des Flüssigkeitssperrentils den SWP-Schalter auf der Schalttafel der Außenanlage auf ON/EIN ein. Der Kompressor (Außenanlage) und die Ventilatoren (Innen- und Außenanlagen) beginnen zu arbeiten und der Kältemittelsammelvorgang setzt ein. LED1 und LED2 auf der Schalttafel der Außenanlage leuchten.
 - Stellen Sie den SWP-Schalter (ein Tastschalter) nur dann auf ON/EIN, wenn die Anlage ausgeschaltet ist. Allerdings kann der Kältemittelsammelvorgang auch dann nicht durchgeführt werden, wenn die Anlage ausgeschaltet und der SWP-Schalter weniger als 3 Minuten, nachdem sich der Kompressor

ausschaltet, auf ON/EIN eingestellt wird. Warten Sie, bis der Kompressor mindestens 3 Minuten lang ausgeschaltet ist, und stellen Sie dann den SWP-Schalter erneut auf ON/EIN.

- Da die Anlage sich etwa 2 bis 3 Minuten nach dem Sammeln des Kältemittels automatisch ausschaltet (LED1 aus und LED2 leuchtet), stellen Sie sicher, dass das Gassperrentil unverzüglich geschlossen wird. Wenn LED1 leuchtet und LED2 aus ist und die Außenanlage ausgeschaltet ist, wird der Kältemittelsammelvorgang nicht ordnungsgemäß ausgeführt. Öffnen Sie das Flüssigkeitssperrentil vollständig, und wiederholen Sie dann nach Ablauf von 3 Minuten Schritt 2.
 - Wenn das Sammeln des Kältemittels normal abgeschlossen wurde (LED1 aus und LED2 leuchtet), bleibt die Anlage ausgeschaltet, bis die Stromversorgung ausgeschaltet wird.
- Unterbrechen Sie die Stromversorgung (Leistungsschalter).
 - Beachten Sie, dass bei langen Verlängerungsrohren und großer Kältemittelmenge möglicherweise kein Abpumpen durchgeführt werden kann. Bei Durchführung des Abpumpbetriebs dafür sorgen, dass der Unterdruck auf etwa 0 MPa (Messwert) abgesenkt wird.

⚠ Warnung:

Schalten Sie beim Abpumpen des Kältemittels den Kompressor ab, bevor die Kältemittelleitungen getrennt werden. Der Kompressor kann zerplatzen, wenn Luft etc. eindringt.

9. Kontrolle des Systems (Fig. 9-1)

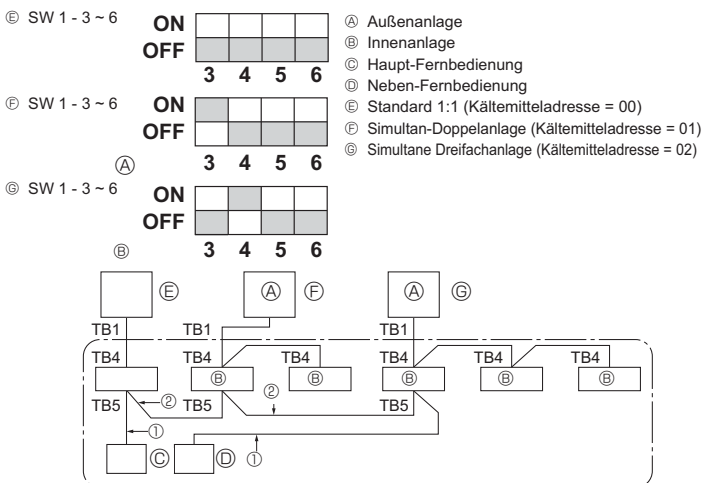


Fig. 9-1

* Die Kältemitteladresse mit dem DIP-Schalter der Außenanlage einstellen.

- Verdrahtung von der Fernbedienung
Der Draht ist an TB5 (Klemmleiste für Fernbedienung) angeschlossen (nichtpolar).
- Wenn eine andere Kältemittelsystem-Gruppierung verwendet wird.
Bis zu 16 Kältemittelsysteme können mit der flachen MA Fernbedienung als eine Gruppe gesteuert werden.

Hinweis:

Bei einem Einfachkältemittelsystem (Doppel/dreifach), ist die Verdrahtung 2 nicht nötig.

SW1

Funktionstabelle



Funktion	Betrieb gemäß Schaltereinstellung	
	ON/EIN	OFF/AUS
1 Vorgeschriebene Enteisung	Start	Normal
2 Fehlerhergang gelöscht	gelöscht	Normal
3 Adresseneinstellung des Kältemittelsystems	Einstellungen für Außenanlagenadressen 0 bis 15	
4		
5		
6		

1. Consignes de sécurité	20	6. Installations électriques	25
2. Emplacement pour l'installation	21	7. Marche d'essai	27
3. Installation de l'appareil extérieur	22	8. Fonctions spéciales	28
4. Installation de la tuyauterie du réfrigérant	23	9. Contrôle du système (Fig. 9-1)	28
5. Mise en place du tuyau d'écoulement	25		

1. Consignes de sécurité

- ▶ Avant d'installer le climatiseur, lire attentivement toutes les "Consignes de sécurité".
- ▶ Veuillez consulter ou obtenir la permission votre compagnie d'électricité avant de connecter votre système.
- ▶ "Cet équipement est conforme à la norme IEC 61000-3-12 à condition que la puissance de court-circuit S_{SC} soit supérieure ou égale au S_{SC} (*1) au point d'interface entre les réseaux d'alimentation privé et public. Il incombe à l'installateur ou à l'utilisateur de l'équipement de veiller à ce que celui-ci ne soit connecté qu'à un réseau dont la puissance de court-circuit S_{SC} est supérieure ou égale au S_{SC} (*1), et ce en accord avec l'opérateur du réseau de distribution, le cas échéant"

S_{SC} (*1)

Modèle	S_{SC} (MVA)
PUHZ-P200	1.35
PUHZ-P250	1.49

⚠ Avertissement:
Précautions à suivre pour éviter tout danger de blessure ou de décès de l'utilisateur.

⚠ Précaution:
Décrit les précautions qui doivent être prises pour éviter d'endommager l'appareil.

Une fois l'installation terminée, expliquer les "Consignes de sécurité", l'utilisation et l'entretien de l'appareil au client conformément aux informations du mode d'emploi et effectuer l'essai de fonctionnement en continu pour garantir un fonctionnement normal. Le manuel d'installation et le mode d'emploi doivent être fournis à l'utilisateur qui doit les conserver. Ces manuels doivent également être transmis aux nouveaux utilisateurs.

⚡ : Indique un élément qui doit être mis à la terre.

⚠ Avertissement:
Prendre soin de lire les étiquettes se trouvant sur l'appareil principal.

⚠ Avertissement:

- L'appareil ne doit pas être installé par l'utilisateur. Contacter un revendeur ou un technicien agréé pour installer l'appareil. Si l'appareil n'est pas correctement installé, des fuites d'eau, des chocs électriques ou des incendies peuvent se produire.
- Pour l'installation, respecter les instructions du manuel d'installation et utiliser des outils et des composants de tuyau spécialement conçus pour une utilisation avec le réfrigérant R410A. La pression du réfrigérant R410A du système HFC est 1,6 fois supérieure à celle des réfrigérants traditionnels. Si des composants de tuyau non adaptés au réfrigérant R410A sont utilisés et si l'appareil n'est pas correctement installé, les tuyaux peuvent éclater et provoquer des dommages ou des blessures. Des fuites d'eau, des chocs électriques et des incendies peuvent également se produire.
- L'appareil doit être installé conformément aux instructions pour réduire les risques de dommages liés à des tremblements de terre, des typhons ou des vents violents. Une installation incorrecte peut entraîner la chute de l'appareil et provoquer des dommages ou des blessures.
- L'appareil doit être solidement installé sur une structure pouvant supporter son poids. Si l'appareil est fixé sur une structure instable, il risque de tomber et de provoquer des dommages ou des blessures.
- Si le climatiseur est installé dans une petite pièce, certaines mesures doivent être prises pour éviter que la concentration de réfrigérant ne dépasse le seuil de sécurité en cas de fuite. Consulter un revendeur pour obtenir les mesures adéquates et ainsi éviter de dépasser la concentration autorisée. En cas de fuite de réfrigérant et de dépassement du seuil de concentration, des risques liés au manque d'oxygène dans la pièce peuvent survenir.
- Aérer la pièce en cas de fuite de réfrigérant lors de l'utilisation. Le contact du réfrigérant avec une flamme peut provoquer des émanations de gaz toxiques.
- Toutes les installations électriques doivent être effectuées par un technicien qualifié conformément aux réglementations locales et aux instructions fournies dans ce manuel. Les appareils doivent être alimentés par des lignes électriques adaptées. Utiliser la tension correcte et des coupe-circuits. Des lignes électriques de capacité insuffisante ou des installations électriques incorrectes peuvent provoquer un choc électrique ou un incendie.
- Utiliser le cuivre phosphoreux C1220, pour des tuyaux sans soudure en cuivre et en alliage de cuivre, pour raccorder les tuyaux de réfrigérant. Si les tuyaux ne sont pas correctement raccordés, la mise à la terre de l'appareil ne sera pas conforme et des chocs électriques peuvent se produire.

- N'utiliser que les câbles spécifiés pour les raccordements. Les raccordements doivent être réalisés correctement sans tension sur les bornes. Ne jamais effectuer de jonction sur les câbles (sauf en cas d'indications contraires). Le non respect de cette consigne peut entraîner une surchauffe ou un incendie.
- Le couvercle du bloc de sortie de l'appareil extérieur doit être solidement fixé. S'il n'est pas correctement installé et si des poussières et de l'humidité s'infiltrent dans l'appareil, un choc électrique ou un incendie peut se produire.
- Lors de l'installation, du déplacement ou de l'entretien du climatiseur, n'utilisez que le réfrigérant spécifié (R410A) pour remplir les tuyaux de réfrigérant. Ne pas le mélanger avec un autre réfrigérant et faire le vide d'air dans les tuyaux.
Si du réfrigérant est mélangé avec de l'air, cela peut provoquer des pointes de pression dans les tuyaux de réfrigérant et entraîner une explosion et d'autres risques.
L'utilisation d'un réfrigérant différent de celui spécifié pour le climatiseur peut entraîner des défaillances mécaniques, des dysfonctionnements du système ou une panne de l'appareil. Dans le pire des cas, cela peut entraîner un obstacle à la mise en sécurité du produit.
- N'utiliser que les accessoires agréés par Mitsubishi Electric et contacter un revendeur ou un technicien agréé pour les installer. Si les accessoires ne sont pas correctement installés, une fuite d'eau, un choc électrique ou un incendie peut se produire.
- Ne pas changer l'appareil. Consulter un revendeur en cas de réparations. Si les modifications ou réparations ne sont pas correctement effectuées, une fuite d'eau, un choc électrique ou un incendie peut se produire.
- L'utilisateur ne doit jamais essayer de réparer ou de déplacer l'appareil. Si l'appareil n'est pas correctement installé, des fuites d'eau, des chocs électriques ou des incendies peuvent se produire. Si le climatiseur doit être réparé ou déplacé, contacter un revendeur ou un technicien agréé.
- Une fois l'installation terminée, vérifier les éventuelles fuites de réfrigérant. Si le réfrigérant fuit dans la pièce et entre en contact avec la flamme d'un chauffage ou d'une cuisinière, des gaz toxiques peuvent se dégager.

1.1. Avant l'installation

⚠ Précaution:

- Ne pas utiliser l'appareil dans un environnement inhabituel. Si le climatiseur est installé dans des endroits exposés à la vapeur, à l'huile volatile (notamment l'huile de machine), au gaz sulfurique, à une forte teneur en sel, par exemple, à la mer, ou dans des endroits où l'appareil sera recouvert de neige, les performances peuvent considérablement diminuer et les pièces internes de l'appareil être endommagées.
- Ne pas installer l'appareil dans des endroits où des gaz de combustion peuvent s'échapper, se dégager ou s'accumuler. L'accumulation de gaz de combustion autour de l'appareil peut provoquer un incendie ou une explosion.

- L'appareil extérieur produit de la condensation lors du fonctionnement du chauffage. Prévoir un système de drainage autour de l'appareil extérieur au cas où la condensation provoquerait des dommages.
- Lors de l'installation de l'appareil dans un hôpital ou un centre de communications, se préparer au bruit et aux interférences électroniques. Les inverseurs, les appareils électroménagers, les équipements médicaux haute fréquence et de communications radio peuvent provoquer un dysfonctionnement ou une défaillance du climatiseur. Le climatiseur peut également endommager les équipements médicaux et de communications, perturbant ainsi les soins et réduisant la qualité d'affichage des écrans.

1.2. Avant l'installation (déplacement)

⚠ Précaution:

- Transportez et installez les appareils avec précaution. L'appareil doit être transporté par 2 personnes ou plus, car il pèse 20 kg minimum. Ne pas tirer les rubans d'emballage. Portez des gants de protection pour sortir l'appareil de son emballage et pour le déplacer, car vous risquez de vous blesser les mains sur les ergots ou les arêtes des autres pièces.
- Veiller à éliminer le matériel d'emballage en toute sécurité. Le matériel d'emballage (clous et autres pièces en métal ou en bois) peut provoquer des blessures.

- La base et les fixations de l'appareil extérieur doivent être vérifiées régulièrement pour éviter qu'elles ne se desserrent, se fissurent ou subissent d'autres dommages. Si ces défauts ne sont pas corrigés, l'appareil peut tomber et provoquer des dommages ou des blessures.
- Ne pas nettoyer le climatiseur à l'eau au risque de provoquer un choc électrique.
- Serrer les écrous évasés, conformément aux spécifications, à l'aide d'une clé dynamométrique. Si les écrous sont trop serrés, ils peuvent se casser après un certain temps et provoquer une fuite de réfrigérant.

1. Consignes de sécurité

1.3. Avant l'installation électrique

⚠ Précaution:

- Veiller à installer des coupe-circuits. Dans le cas contraire, un choc électrique peut se produire.
- Pour les lignes électriques, utiliser des câbles standard de capacité suffisante. Dans le cas contraire, un court-circuit, une surchauffe ou un incendie peut se produire.
- Lors de l'installation des lignes électriques, ne pas mettre les câbles sous tension. Si les connexions sont desserrées, les câbles peuvent se rompre et provoquer une surchauffe ou un incendie.

- Veiller à mettre l'appareil à la terre. Ne pas relier le fil de terre aux conduites de gaz ou d'eau, aux paratonnerres ou aux lignes de terre téléphoniques. Une mise à la terre incorrecte de l'appareil peut provoquer un choc électrique.
- Utiliser des coupe-circuits (disjoncteur de fuite à la terre, interrupteur d'isolement (fusible +B) et disjoncteur à boîtier moulé) à la capacité spécifiée. Si la capacité du coupe-circuit est supérieure à celle spécifiée, une défaillance ou un incendie peut se produire.

1.4. Avant la marche d'essai

⚠ Précaution:

- Activer l'interrupteur principal au moins 12 heures avant la mise en fonctionnement de l'appareil. L'utilisation de l'appareil juste après sa mise sous tension peut endommager sérieusement les pièces internes. Laisser l'interrupteur activé pendant la période d'utilisation.
- Avant d'utiliser l'appareil, vérifier que tous les panneaux, toutes les protections et les autres pièces de sécurité sont correctement installés. Les pièces tournantes, chaudes ou à haute tension peuvent provoquer des blessures.
- Ne pas toucher les interrupteurs les mains humides au risque de provoquer un choc électrique.

- Ne pas toucher les tuyaux de réfrigérant les mains nues lors de l'utilisation. Les tuyaux de réfrigérant sont chauds ou froids en fonction de l'état du réfrigérant qu'ils contiennent. Toucher les tuyaux peut provoquer des brûlures ou des gelures.
- A la fin de l'utilisation de l'appareil, attendre au moins cinq minutes avant de désactiver l'interrupteur principal. Dans le cas contraire, une fuite d'eau ou une défaillance peut se produire.

1.5. Utilisation de climatiseurs utilisant le réfrigérant R410A

⚠ Précaution:

- Utiliser des tuyaux de réfrigérant neufs. Respecter les instructions suivantes en cas de réutilisation de tuyaux de réfrigérant R22 existants.
 - Nettoyer les tuyaux avec précaution et veiller à ce que l'intérieur des tuyaux soit propre.
 - Remplacer les écrous évasés existants et évaser de nouveau les sections évasées.
 - Ne pas utiliser de tuyaux fins. (Se reporter à la 4.1.)
- Utiliser le cuivre phosphoreux C1220, pour des tuyaux sans soudure en cuivre et en alliage de cuivre, pour raccorder les tuyaux de réfrigérant. Vérifier que l'intérieur des tuyaux est propre et dépourvu de tout agent nocif tel que des composés sulfuriques, des oxydants, des débris ou des saletés. Utiliser des tuyaux d'épaisseur spécifiée. (Se reporter à la 4.1.)
- Stocker à l'intérieur les tuyaux à utiliser pendant l'installation et couvrir les deux extrémités jusqu'au processus de brasage. (Laisser les joints de coude, etc. dans leur emballage.) L'infiltration de poussières, de débris ou d'humidité dans les tuyaux de réfrigérant peut affecter la qualité de l'huile ou endommager le compresseur.
- Appliquer une petite quantité d'huile ester, éther ou alkylbenzène comme huile réfrigérante sur les sections évasées. Le mélange d'huile minérale et d'huile réfrigérante peut affecter la qualité de l'huile.

- Ne pas utiliser un réfrigérant autre que le réfrigérant R410A. Si c'est le cas, le chlore peut affecter la qualité de l'huile.
- Utiliser une pompe à vide munie d'un clapet anti-retour. Si l'huile de la pompe à vide pénètre dans les conduites de réfrigérant, la qualité de l'huile du réfrigérant pourrait en être affectée.
- Utiliser les outils suivants spécialement conçus pour une utilisation avec le réfrigérant R410A. Les outils suivants sont nécessaires pour utiliser le réfrigérant R410A. En cas de questions, contacter le revendeur le plus proche.

Outils (pour R410A)	
Collecteur jauge	Outil d'évasement
Tuyau de charge	Jauge de réglage de la taille
Détecteur de fuite de gaz	Adaptateur pour pompe à vide
Clé dynamométrique	Echelle électronique de charge de réfrigérant

- Veiller à utiliser les outils adaptés. L'infiltration de poussières, de débris ou d'humidité dans les tuyaux de réfrigérant peut affecter la qualité de l'huile réfrigérante.
- Ne pas utiliser un cylindre de charge. L'utilisation d'un cylindre de charge peut modifier la composition du réfrigérant et réduire son efficacité.

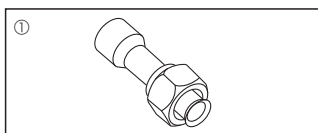


Fig. 1-1

1.6. Accessoires de l'appareil extérieur (Fig. 1-1)

Les pièces illustrées à gauche sont les accessoires de l'appareil qui sont apposés à l'intérieur du panneau de service.

- ① Tuyau de jointure.....x1

2. Emplacement pour l'installation

2.1. Tuyaux de réfrigérant (Fig. 2-1)

- Vérifier que la différence de hauteur entre les appareils intérieur et extérieur, la longueur du tuyau de réfrigérant et le nombre de coudes permis dans le tuyau se situent au sein des limites reprises dans le tableau ci-dessous.

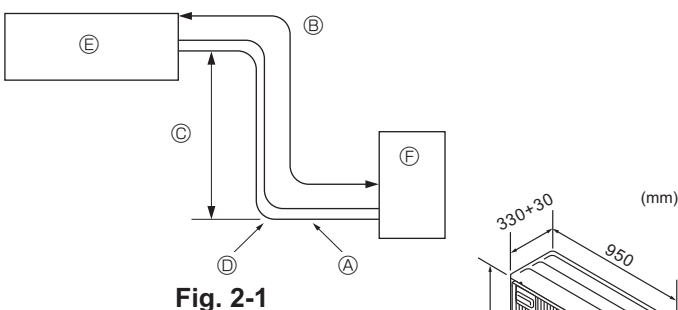


Fig. 2-1

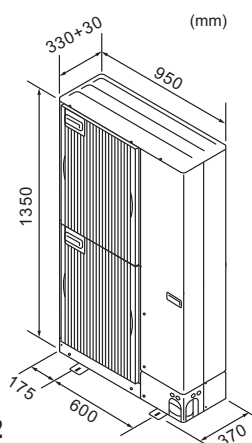


Fig. 2-2

Modèles	④ Diamètre du tuyau (mm)		⑥ Longueur du tuyau (un sens)	⑤ Différence de hauteur	⑦ Nombre de coudes (un sens)
	Côté gaz	Côté liquide			
P200	ø25,4	ø9,52	Max. 70 m	Max. 30 m	Max. of 15
P250	(ø28,58)	ø12,7	Max. 70 m	Max. 30 m	Max. of 15

- Les spécifications concernant la différence d'élévation s'appliquent à toutes les dispositions des appareils intérieurs et extérieurs, sans tenir compte de celui qui est le plus élevé.
- ⑤ Appareil intérieur
- ⑥ Appareil extérieur

2.2. Sélection de l'emplacement d'installation de l'appareil extérieur

- Éviter les endroits exposés au rayonnement solaire direct ou à d'autres sources de chaleur.
- Sélectionner un endroit où le bruit de l'appareil n'incommodera pas le voisinage.
- Sélectionner un endroit permettant un accès facile des câbles et tuyaux à la source d'alimentation et à l'appareil intérieur.
- Éviter les endroits exposés à des risques de fuite, d'échappement ou d'accumulation de gaz.
- Ne pas oublier que des gouttes d'eau peuvent couler de l'appareil lors de son utilisation.
- Sélectionner un endroit de niveau pouvant supporter le poids et les vibrations de l'appareil.
- Éviter les endroits où l'appareil peut être recouvert de neige. Dans les zones où les chutes de neige importantes sont prévisibles, certaines précautions (par ex., relever l'emplacement d'installation ou installer une hotte sur l'arrivée d'air) doivent être prises pour éviter que la neige ne bloque l'arrivée d'air ou ne tombe directement dessus. La circulation de l'air risque de diminuer et d'entraîner un dysfonctionnement.
- Éviter les endroits exposés à l'huile, à la vapeur ou au gaz sulfurique.
- Utiliser les poignées de transport (quatre emplacements à gauche, à droite, à l'avant et à l'arrière) de l'appareil extérieur pour le déplacer. Transporter l'appareil par le bas peut provoquer des pincements aux mains ou aux doigts.

2.3. Dimensions extérieures (Appareil extérieur) (Fig. 2-2)

2. Emplacement pour l'installation

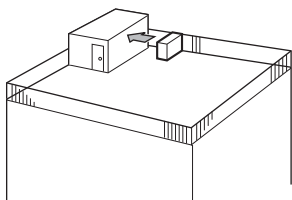


Fig. 2-3

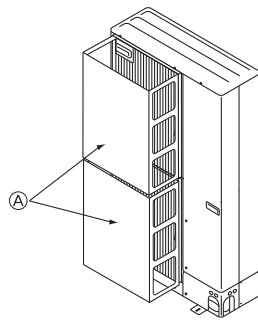


Fig. 2-4

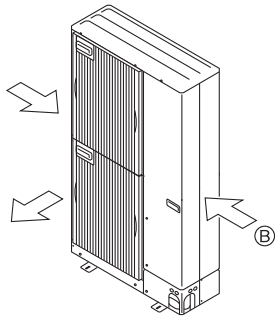


Fig. 2-5

2.4. Ventilation et espace de service

2.4.1. Installation à un endroit exposé au vent

Lors de l'installation de l'appareil extérieur sur un toit ou à d'autres endroits non protégés du vent, diriger la sortie d'air de l'appareil vers le côté qui n'est pas directement exposé aux vents forts. Le vent soufflant dans la sortie d'air peut empêcher l'air de circuler normalement et provoquer un dysfonctionnement.

Voici trois exemples de précautions à prendre.

- ① Positionner la sortie d'air vers le mur le plus proche et à environ 50 cm de celui-ci. (Fig. 2-3)
- ② Installer un guidage d'air optionnel si l'appareil est placé dans un endroit où les vents violents d'une tempête, par exemple, pourraient s'engouffrer directement dans la sortie d'air. (Fig. 2-4)
 - Ⓐ Guidage d'air
- ③ Placer l'appareil de sorte que la sortie d'air souffle dans la direction perpendiculaire à celle des vents saisonniers, si celle-ci est connue. (Fig. 2-5)
 - Ⓑ Sens du vent

2.4.2. Lors de l'installation d'un seul appareil extérieur (Voir en dernière page)

Les dimensions minimales sont les suivantes, à l'exception des valeurs Max., indiquant les dimensions maximales.

Utiliser les chiffres pour chaque cas.

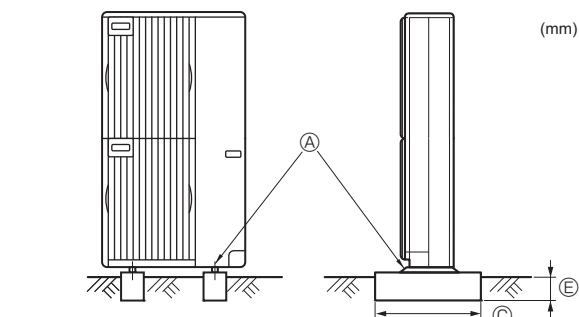
- ① Obstacles uniquement à l'arrière (Fig. 2-6)
- ② Obstacles uniquement à l'arrière et au-dessus (Fig. 2-7)
- ③ Obstacles uniquement à l'arrière et sur les côtés (Fig. 2-8)
- ④ Obstacles uniquement à l'avant (Fig. 2-9)
 - Lors de l'utilisation d'un guidage de sortie d'air en option, le jeu est de 500 mm minimum.
- ⑤ Obstacles uniquement à l'avant et à l'arrière (Fig. 2-10)
 - Lors de l'utilisation d'un guidage de sortie d'air en option, le jeu est de 500 mm minimum.
- ⑥ Obstacles uniquement à l'arrière, sur les côtés et au-dessus (Fig. 2-11)
 - Ne pas utiliser les guidages de sortie d'air en option pour un débit d'air vers le haut.

2.4.3. Lors de l'installation de plusieurs appareils extérieurs (Voir en dernière page)

Espacer les appareils de 10 mm minimum.

- ① Obstacles uniquement à l'arrière (Fig. 2-12)
- ② Obstacles uniquement à l'arrière et au-dessus (Fig. 2-13)
 - Ne pas installer côte à côte plus de trois appareils. Espacer également les appareils, comme illustré.
 - Ne pas utiliser les guidages de sortie d'air en option pour un débit d'air vers le haut.
- ③ Obstacles uniquement à l'avant (Fig. 2-14)
 - Lors de l'utilisation d'un guidage de sortie d'air en option, le jeu est de 1000 mm minimum.
- ④ Obstacles uniquement à l'avant et à l'arrière (Fig. 2-15)
 - Lors de l'utilisation d'un guidage de sortie d'air en option, le jeu est de 1000 mm minimum.
- ⑤ Disposition pour un seul appareil parallèle (Fig. 2-16)
 - Lors de l'utilisation d'un guidage de sortie d'air en option installé pour un débit d'air vers le haut, le jeu est de 1000 mm minimum.
- ⑥ Disposition pour plusieurs appareils parallèles (Fig. 2-17)
 - Lors de l'utilisation d'un guidage de sortie d'air en option installé pour un débit d'air vers le haut, le jeu est de 1500 mm minimum.
- ⑦ Disposition pour appareils empilés (Fig. 2-18)
 - Il est possible d'empiler jusqu'à deux appareils.
 - Ne pas installer côte à côte plus de deux appareils empilés. Espacer également les appareils, comme illustré.

3. Installation de l'appareil extérieur



- Ⓐ Boulon M10 (3/8 ème de pouce)
- Ⓑ Base
- Ⓒ Aussi long que possible.
- Ⓓ Ventilateur
- Ⓔ Profondément enfoncé dans la terre

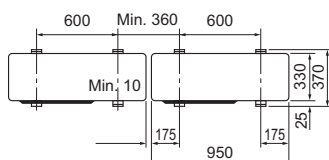


Fig. 3-1

- Bien installer l'appareil sur une surface solide et de niveau, de façon à éviter tout bruit de crécelle pendant le fonctionnement. (Fig. 3-1)

<Spécifications de la fondation>

Boulon de fondation	M10 (3/8 ème de pouce)
Epaisseur de béton	120 mm
Longueur des boulons	70 mm
Résistance au poids	320 kg

- S'assurer que la longueur des boulons de fondation ne dépasse pas 30 mm par rapport à la surface inférieure de la base.
- Fixer fermement la base de l'appareil avec quatre boulons de fondation M10 placés à des endroits suffisamment robustes.

Installation de l'appareil extérieur

- Ne pas bloquer le ventilateur. Si le ventilateur est bloqué, l'appareil sera ralenti et risque d'être endommagé.
- Pour installer l'appareil, utiliser, si nécessaire et en plus de la base de l'appareil, les orifices d'installation situés à l'arrière pour fixer les câbles, etc. Utiliser des vis autotaraudeuses (ø5 × 15 ou moins) et installer l'appareil sur site.

⚠ Avertissement:

- L'appareil doit être solidement installé sur une structure pouvant supporter son poids. Si l'appareil est fixé sur une structure instable, il risque de tomber et de provoquer des dommages ou des blessures.
- L'appareil doit être installé conformément aux instructions pour réduire les risques de dommages liés à des tremblements de terre, des typhons ou des vents violents. Une installation incorrecte peut entraîner la chute de l'appareil et provoquer des dommages ou des blessures.

4. Installation de la tuyauterie du réfrigérant

4.1. Consignes pour appareils utilisant le réfrigérant R410A

- Se reporter à la 1.5. pour les consignes non reprises ci-dessous concernant l'utilisation de climatiseurs avec un réfrigérant R410A.
 - Appliquer une petite quantité d'huile ester, éther ou alkylbenzène comme huile réfrigérante sur les sections évasées.
 - Utiliser le cuivre phosphoreux C1220, pour des tuyaux sans soudure en cuivre et en alliage de cuivre, pour raccorder les tuyaux de réfrigérant. Utiliser les tuyaux de réfrigérant dont l'épaisseur est spécifiée dans le tableau ci-dessous. Vérifier que l'intérieur des tuyaux est propre et dépourvu de tout agent nocif tel que des composés sulfuriques, des oxydants, des débris ou des saletés.
- Lors du brasage des tuyaux, toujours effectuer un brasage sans oxydation, sinon, le compresseur risque d'être endommagé.

⚠ Avertissement:

Lors de l'installation, du déplacement ou de l'entretien du climatiseur, n'utilisez que le réfrigérant spécifié (R410A) pour remplir les tuyaux de réfrigérant. Ne pas le mélanger avec un autre réfrigérant et faire le vide d'air dans les tuyaux.

Si du réfrigérant est mélangé avec de l'air, cela peut provoquer des pointes de pression dans les tuyaux de réfrigérant et entraîner une explosion et d'autres risques.

L'utilisation d'un réfrigérant différent de celui spécifié pour le climatiseur peut entraîner des défaillances mécaniques, des dysfonctionnements du système ou une panne de l'appareil. Dans le pire des cas, cela peut entraîner un obstacle à la mise en sécurité du produit.

Taille du tuyau (mm)	ø6,35	ø9,52	ø12,7	ø15,88	ø19,05	ø22,2	ø25,4	ø28,58
Epaisseur (mm)	0,8	0,8	0,8	1,0	1,0	1,0	1,0	1,0

- Ne pas utiliser de tuyaux plus fins que ceux spécifiés ci-dessus.

4.2. Connexion des tuyaux

- En cas d'utilisation de tuyaux en cuivre disponibles sur le marché, envelopper les tuyaux de liquide et de gaz avec de la matière isolante vendue dans le commerce sur le marché (résistant à une chaleur de 100 °C ou supérieure et d'une épaisseur de 12 mm ou plus).
- Les parties intérieures du tuyau d'écoulement doivent également être entourées de matière isolante en mousse de polyéthylène (avec un poids spécifique de 0,03 et de 9 mm d'épaisseur ou plus).
- Appliquer un film mince d'huile réfrigérante sur la surface du tuyau et du support du joint avant de serrer l'écrou évasé. (A) (Fig.4-1)
- Utiliser deux clés pour serrer les connexions des tuyaux. (B) (Fig.4-1)
- Lorsque le raccord des tuyaux est terminé, utiliser un détecteur de fuite de gaz ou une solution savonneuse à base d'eau pour s'assurer qu'il n'y ait pas de fuite de gaz.
- Appliquer de l'huile réfrigérante sur toute la surface évasée du fond. (C) (Fig.4-1)
- Utiliser les écrous évasés correspondant aux tailles de tuyaux suivantes. (D) (Fig.4-1)

		RP50	RP60,71	RP100-140
Côté gaz	Diamètre du tuyau (mm)	ø12,7	ø15,88	ø15,88
Côté liquide	Diamètre du tuyau (mm)	ø6,35	ø9,52	ø9,52

- Veiller à ne pas rompre les tuyaux lors de leur courbure. Des rayons de courbure compris entre 100 mm à 150 mm suffisent.
- Vérifier que les tuyaux ne touchent pas le compresseur. Des vibrations ou des bruits anormaux pourraient se produire.

① Raccorder les tuyaux en commençant par l'appareil intérieur.

Serrer les écrous évasés à l'aide d'une clé dynamométrique.

② Evaser les conduits de liquide et de gaz, puis appliquer un film mince d'huile réfrigérante (application sur site).

- Si un procédé d'étanchéité traditionnel est utilisé pour les tuyaux, se reporter au tableau 1 pour l'évasement des tuyaux de réfrigérant R410A.

La jauge de réglage de la taille peut être utilisée pour confirmer les mesures B.

Tableau 1 (Fig. 4-2)

Diam. ext. Tuyau en cuivre (mm)	B (mm)	
	Outil d'évasement pour le R410A	Outil d'évasement pour le R22-R407C
	Type embrayage	
ø6,35 (1/4")	0 - 0,5	1,0 - 1,5
ø9,52 (3/8")	0 - 0,5	1,0 - 1,5
ø12,7 (1/2")	0 - 0,5	1,0 - 1,5
ø15,88 (5/8")	0 - 0,5	1,0 - 1,5
ø19,05 (3/4")	0 - 0,5	1,0 - 1,5

③ Respecter la procédure suivante pour le raccordement des tuyaux côté gaz. (Fig. 4-3)

1 Braser le tuyau de jointure (E) fourni pour l'appareil extérieure à l'aide du matériel de brasage acheté auprès d'un revendeur local et du tuyau local (C) sans oxygène.

2 Connecter le tuyau de jointure (E) à la vanne d'arrêt côté gaz.

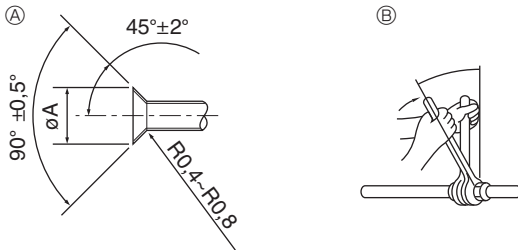
Utiliser deux clés pour serrer le raccord conique.

* Si l'ordre est inversé, une fuite de réfrigérant se produira en raison de l'endommagement de la pièce par la flamme du brasage.

- Pour les modèles PEA-RP200, 250, 400, 500GA

La tuyauterie est raccordée par brasage.

		PEA-200	PEA-250	PEA-400	PEA-500
Côté gaz	Diamètre du tuyau (mm)	ø25,4 (ou ø28,58)			
Côté liquide	Diamètre du tuyau (mm)	ø9,52	ø12,7	ø9,52	ø12,7



- (A) Dimension de l'évasement
- (B) Couple de serrage du raccord conique

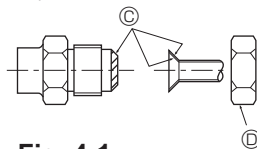


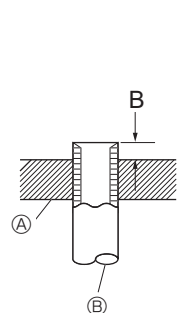
Fig. 4-1

(A) (Fig. 4-1)

Diam. ext. Tuyau en cuivre (mm)	Dimensions évasement Dimensions øA (mm)
ø6,35	8,7 - 9,1
ø9,52	12,8 - 13,2
ø12,7	16,2 - 16,6
ø15,88	19,3 - 19,7
ø19,05	23,6 - 24,0

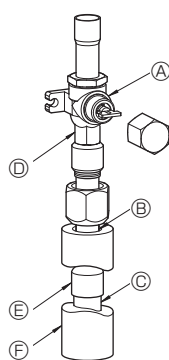
(B) (Fig. 4-1)

Diam. ext. Tuyau en cuivre (mm)	Diam. ext. raccord conique (mm)	Couple de serrage (N·m)
ø6,35	17	14 - 18
ø6,35	22	34 - 42
ø9,52	22	34 - 42
ø12,7	26	49 - 61
ø12,7	29	68 - 82
ø15,88	29	68 - 82
ø15,88	36	100 - 120
ø19,05	36	100 - 120



- (A) Matrice
- (B) Tuyau en cuivre

Fig. 4-2



- (A) Vanne d'arrêt (côté gaz)
- (B) Côté joint d'étanchéité
- (C) Tuyauterie locale
- (D) Côté clé double
- (E) Tuyau de jointure
- (F) Gaine du tuyau

Fig. 4-3

4. Installation de la tuyauterie du réfrigérant

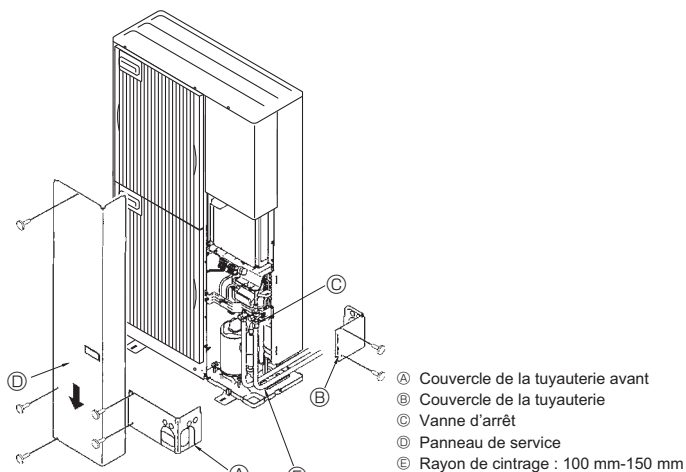


Fig. 4-4

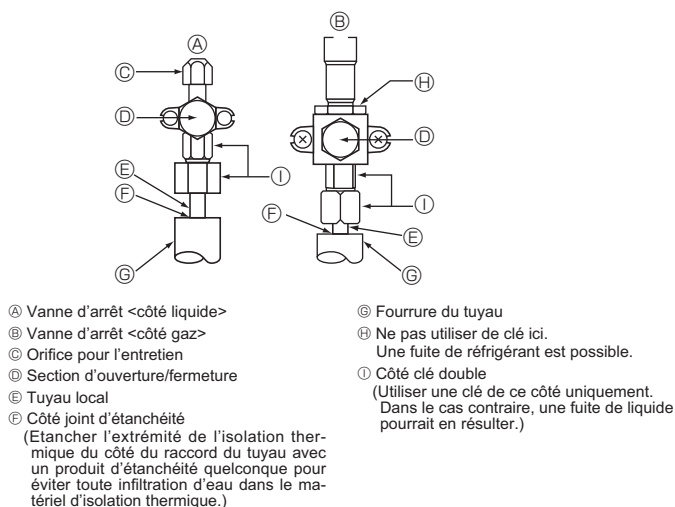


Fig. 4-5

4.3. Mise en place des tuyaux de réfrigérant (Fig. 4-4)

Retirer le panneau de service (D) (3 vis), le cache-tuyaux avant (A) (2 vis) et le cache-tuyaux arrière (B) (2 vis).

- Effectuer les raccordements des tuyaux de réfrigérant de l'appareil intérieur/extérieur lorsque la vanne d'arrêt de l'appareil extérieur est complètement fermée.
- Faire le vide d'air de l'appareil intérieur et des tuyaux de raccordement.
- Une fois les tuyaux de réfrigérant raccordés, vérifier les éventuelles fuites de gaz dans les tuyaux raccordés et l'appareil intérieur. (Voir 4.4. Test d'étanchéité des tuyaux de réfrigérant.)

④ Une pompe à vide haute performance est branchée sur l'orifice de service de la vanne d'arrêt de liquide de façon à maintenir une dépression suffisamment longue (1 heure minimum une fois que le relevé -101 kPa (5 Torr)) est atteint pour sécher sous vide l'intérieur des tuyaux. Toujours contrôler le degré de dépression indiqué par le manomètre. Si les tuyaux présentent toujours une certaine humidité, le degré de dépression peut ne pas être atteint suite à une opération de séchage sous vide brève.

Suite à l'opération de séchage sous vide, ouvrir complètement les vannes d'arrêt (de liquide et de gaz) de l'appareil extérieur. Ceci permet de relier complètement les circuits de refroidissement des appareils intérieur et extérieur.

- Si le séchage sous vide est insuffisant, de l'air et de la vapeur d'eau peuvent rester dans les circuits de refroidissement et provoquer une augmentation ou une chute anormale de la pression, une détérioration de l'huile du système de réfrigération, etc. en raison de la présence d'humidité.
- Faire fonctionner l'appareil sans avoir ouvert les vannes d'arrêt risque d'endommager le compresseur et la vanne de commande.
- Utiliser un détecteur de fuites ou de l'eau savonneuse pour vérifier les éventuelles fuites de gaz aux sections de raccordement des tuyaux de l'appareil extérieur.
- Ne pas utiliser le réfrigérant de l'appareil pour faire le vide d'air des tuyaux de réfrigérant.
- Après avoir utilisé les vannes, resserrer leurs capuchons au couple correct : 20 à 25 N·m (200 à 250 kgf·cm).

Si les capuchons sont mal remplacés ou resserrés, une fuite de réfrigérant peut se produire. Veiller également à ne pas endommager l'intérieur des capuchons des vannes car leur étanchéité empêche les fuites de réfrigérant.

- Appliquer un agent d'étanchéité sur les extrémités de l'isolation thermique autour des sections de raccordement des tuyaux afin d'empêcher l'eau de pénétrer dans l'isolation thermique.

4.4. Test d'étanchéité des tuyaux de réfrigérant (Fig. 4-5)

- Connecter les outils de test.
 - Vérifier que les vannes d'arrêt (A) et (B) sont fermées et ne pas les ouvrir.
 - Ajouter de la pression dans les tuyaux de réfrigérant par l'orifice de service (C) de la vanne d'arrêt de liquide (A).
- Ne pas ajouter en une seule fois de pression à la pression spécifiée mais progressivement.
 - Pressuriser jusqu'à 0,5 MPa (5 kgf/cm²G), attendre 5 minutes et vérifier que la pression ne diminue pas.
 - Pressuriser jusqu'à 1,5 MPa (15 kgf/cm²G), attendre 5 minutes et vérifier que la pression ne diminue pas.
 - Pressuriser to 4.15 MPa (41.5 kgf/cm²G) and measure the surrounding temperature and refrigerant pressure.
- Si la pression spécifiée se maintient pendant environ une journée sans diminuer, les tuyaux ne présentent pas de fuite.
 - Si la température ambiante varie de 1 °C, la pression varie d'environ 0,03 MPa (0,3 kgf/cm²G). Apporter les corrections nécessaires.
- Si la pression diminue à l'étape (2) ou (3), il y a une fuite de gaz. Rechercher l'origine de la fuite de gaz.

4.5. Comment ouvrir la vanne d'arrêt

La méthode d'ouverture de la vanne d'arrêt varie selon le modèle de l'appareil extérieur. Ouvrir les vannes d'arrêt conformément à la méthode appropriée.

- Côté liquide de la vanne d'arrêt (Fig. 4-6)
 - Retirez le bouchon, et tournez la tige de soupape à fond dans le sens antihoraire avec une clé hexagonale de 4 mm. Arrêtez de tourner quand elle frappe la retenue. (env. 10 tours)
 - Vérifier que la vanne d'arrêt est complètement ouverte et tourner le capuchon pour le ramener sur sa position d'origine.
- Côté gaz de la vanne d'arrêt (Fig. 4-7)
 - Retirer le capuchon, tirer la poignée vers soi et tourner d'un quart de tour dans le sens antihoraire pour ouvrir la vanne.
 - Vérifier que la vanne d'arrêt est complètement ouverte, pousser la poignée et tourner le capuchon pour le ramener sur sa position d'origine.

Les tuyaux de réfrigérant sont entourés d'une couche de protection

- Les tuyaux peuvent être entourés, après ou avant avoir été raccordés, d'une couche de protection allant jusqu'à $\varnothing 90$. Découper la rondelle défonçable du cache-tuyaux en suivant la rainure et envelopper les tuyaux.

Orifice d'entrée du tuyau

- Appliquer du mastic ou un agent d'étanchéité sur l'entrée des tuyaux pour éviter tout espace. (Si les espaces ne sont pas supprimés, l'appareil risque de fonctionner bruyamment ou d'être endommagé à cause d'une infiltration d'eau et de poussières).

Précautions à prendre lors de l'utilisation de la soupape de charge (Fig. 4-8)

Ne serrez pas trop l'ouverture de service au moment de l'installer, car vous pourriez déformer le corps de la soupape et des fuites pourraient se produire.

Après avoir posé la section (B) dans la direction désirée, tournez la section (A) uniquement et serrez-la.

Ne serrez pas davantage les sections (A) et (B) l'une contre l'autre après avoir serré la section (A).

⚠ Avertissement:

Pendant l'installation de l'appareil, brancher correctement les tuyaux de réfrigérant avant de lancer le compresseur.

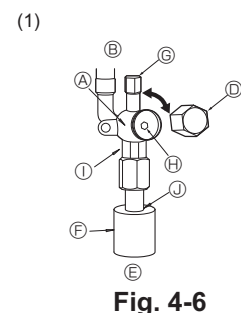


Fig. 4-6

- Vanne
- Côté appareil
- Côté de fonctionnement
- Capuchon
- Côté tuyau local
- Gaine du tuyau
- Orifice pour l'entretien
- Orifice pour la clé

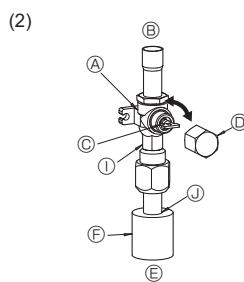


Fig. 4-7

- Côté clé double
(Utiliser une clé de ce côté uniquement. Dans le cas contraire, une fuite de liquide pourrait en résulter.)
- Côté joint d'étanchéité
(Etancher l'extrémité de l'isolation thermique du côté du raccord du tuyau avec un produit d'étanchéité quelconque pour éviter toute infiltration d'eau dans le matériel d'isolation thermique.)

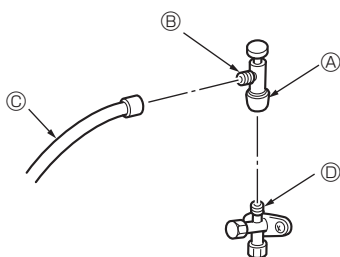


Fig. 4-8

- La figure à gauche n'est représentée qu'à titre d'exemple. La forme de la vanne d'arrêt, la position de l'ouverture de service, etc., peuvent différer selon le modèle.
- Tournez la section (A) uniquement. (Ne serrez pas davantage les sections (A) et (B) l'une contre l'autre.)

- Flexible de charge
- Ouverture de service

4. Installation de la tuyauterie du réfrigérant

4.6. Addition of refrigerant

- Aucune charge supplémentaire n'est nécessaire si la longueur du tuyau ne dépasse pas 30 m
- Si la longueur du tuyau est supérieure, charger l'appareil avec une quantité de réfrigérant R410A supplémentaire conformément aux longueurs de tuyau autorisées indiquées dans le tableau suivant.
- Une fois l'appareil arrêté, le charger de réfrigérant supplémentaire par la vanne d'arrêt de liquide après avoir vidé les extensions de tuyaux et l'appareil intérieur. Lors de l'utilisation de l'appareil, ajouter du réfrigérant par le clapet de non-retour du gaz à l'aide d'un chargeur de sécurité. Ne pas ajouter de réfrigérant liquide directement par le clapet de non-retour.

- Une fois l'appareil chargé de réfrigérant, noter la quantité de réfrigérant ajouté sur l'étiquette de service (collée sur l'appareil). Pour plus d'informations, se reporter à la section "1.5. Utilisation de climatiseurs utilisant le réfrigérant R410A".
- L'installation de plusieurs appareils doit se faire avec précaution. Le raccordement à un appareil intérieur défaillant peut entraîner une pression anormalement élevée et altérer sérieusement les performances de l'appareil.

Modèle	Longueur de tuyau autorisée	Différence verticale autorisée	Quantité de charge de réfrigérant ajouté			
			31 - 40 m	41 - 50 m	51 - 60 m	61 - 70 m
P200	70 m	30 m	0,9 kg	1,8 kg	2,7 kg	3,6 kg
P250			1,2 kg	2,4 kg	3,6 kg	4,8 kg

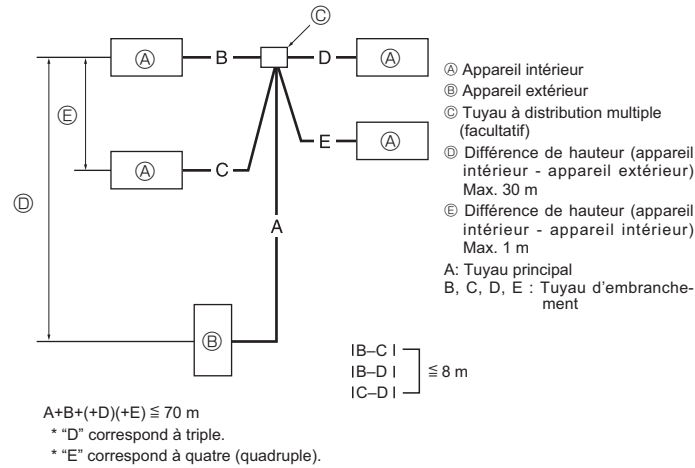


Fig. 4-9

4.7. Pour combinaison double/triple/quadruple (Fig. 4-9)

- Si cet appareil est utilisé dans un système "MULTI-SPLIT", installer le tuyau de réfrigérant en tenant compte des restrictions indiquées sur le schéma de gauche. En outre, si les restrictions ne sont pas respectées ou si des appareils intérieurs et extérieurs sont combinés, se reporter aux instructions d'installation de l'appareil intérieur pour plus de détails.

Appareil extérieur	Longueur de tuyau maximale autorisée A+B+C+D+E	Longueur de tuyau sans la charge A+B+C+D+E
P200 P250	70 m maximum	30 m maximum
Appareil extérieur	B-C ou B-D ou B-E ou C-D ou C-E ou D-E	Nombre de coudes
P200 P250	8 m maximum	Moins de 15

5. Mise en place du tuyau d'écoulement

Raccordement du tuyau d'écoulement de l'appareil extérieur

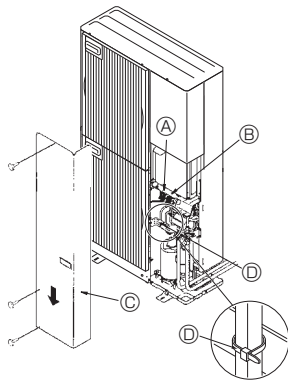
Lorsqu'un tuyau d'écoulement s'avère nécessaire, utiliser la douille de drainage ou la cuvette de drainage (en option).

Douille de drainage	PAC-SG61DS-E
Cuvette de drainage	PAC-SG64DP-E

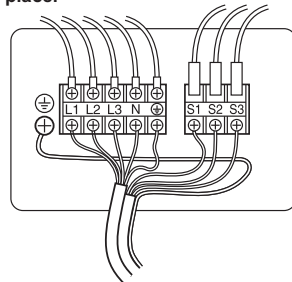
6. Installations électriques

6.1. Appareil extérieur (Fig. 6-1, Fig. 6-2)

- Retirer le panneau de service.
- Effectuer le câblage conformément aux figures 6-1 et 6-2.



Remarque :
Si la feuille protectrice du boîtier électrique est retirée pendant l'entretien, veiller à la remettre en place.



- ⊕ Bloc de raccordement d'alimentation (L1, L2, L3, N, ⊕)
- ⊕ Bloc de raccordement intérieur/extérieur (S1, S2, S3)
- ⊕ Panneau de service
- ⊕ Attache

* Serrer les câbles de sorte qu'ils ne touchent pas le centre du panneau de service ou la vanne de gaz

⚠ Précaution:
Veillez à installer la conduite N. En l'absence de conduite N, l'appareil risque d'être endommagé.

* À l'exception des modèles PEA-RP200, 250, 400, 500GA

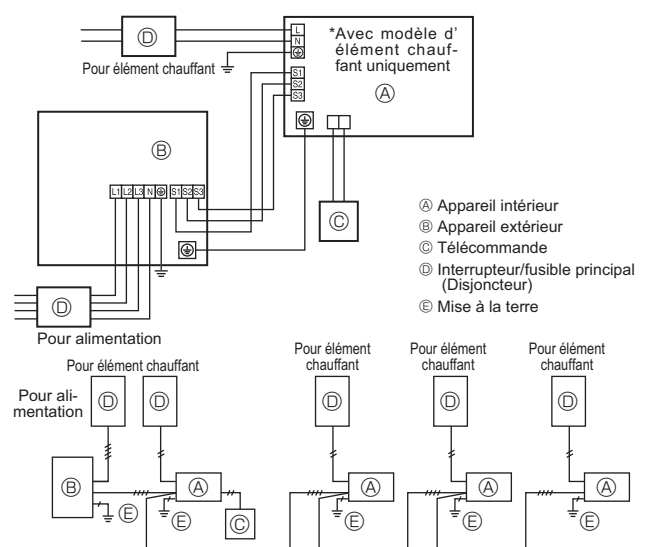
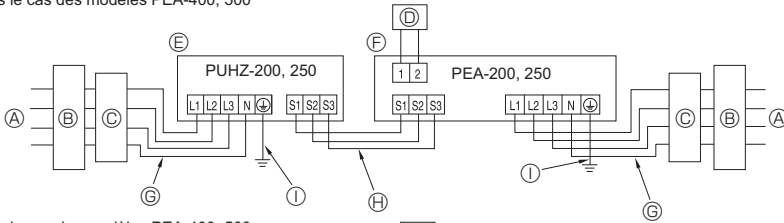


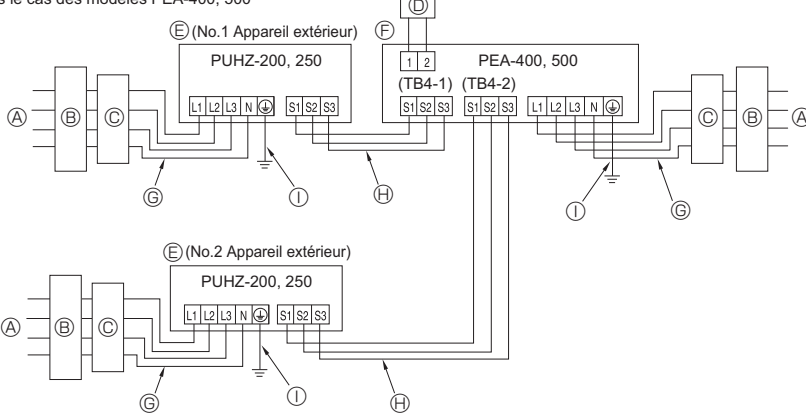
Fig. 6-1

6. Installations électriques

* Dans le cas des modèles PEA-400, 500

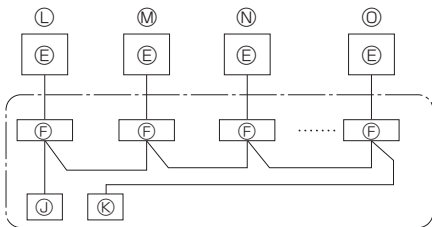


* Dans le cas des modèles PEA-400, 500



- Ⓐ Alimentation électrique
- ⓑ Disjoncteur de fuites à la terre
- ⓒ Coupe-circuit ou interrupteur local
- ⓓ Télécommande à écran LCD
- ⓔ Appareil extérieur
- ⓕ Appareil intérieur
- ⓖ Câblage d'alimentation
- ⓗ Câblage de connexion des appareils intérieur et extérieur
- ⓓ Mise à la terre
- ⓖ Télécommande principale
- ⓗ Télécommande secondaire
- ⓓ Standard (Adresse de réfrigérant = 00)
- ⓔ Adresse de réfrigérant = 01
- ⓕ Adresse de réfrigérant = 02
- ⓖ Adresse de réfrigérant = 03
- ⓗ Adresse de réfrigérant = 14
- ⓓ Adresse de réfrigérant = 15

* Dans le cas des modèles PEA-200, 250



* Dans le cas des modèles PEA-400, 500

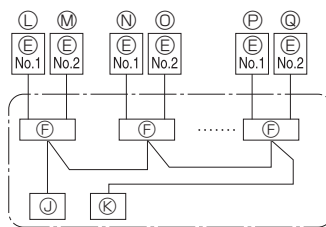


Fig. 6-2

6.2. Câblage des champs électriques

Modèle de l'appareil extérieur		P200, 250
Appareil extérieur	Phase	3N~(3 phases 4 câbles), 50 Hz,
Alimentation	Fréquence et tension	400 V
Capacité d'entrée de l'appareil extérieur	Interrupteur principal (Disjoncteur)	*1 32 A
Câblage No du câble × taille en (mm ²)	Appareil extérieur alimentation	5 × Min. 4
	Appareil intérieur-appareil extérieur	*2 Longueur de câble 50 m : 3 × 4 (Polarisé)/Longueur de câble 80 m : 3 × 6 (Polarisé)
	Mise à la terre de l'appareil intérieur/extérieur	1 × Min. 2,5
	Raccordement de la commande à distance-appareil intérieur	*3 2 × 0,3 (Non polarisé)
Tension du circuit	Appareil extérieur L1-N, L2-N, L3-N	AC 230 V
	Appareil intérieur-appareil extérieur S1-S2	*4 AC 230 V
	Appareil intérieur-appareil extérieur S2-S3	*4 DC 24 V
	Raccordement de la commande à distance-appareil intérieur	*4 DC 12 V

*1. Utiliser un disjoncteur de fuite à la terre (NV) avec un écartement de 3 mm minimum entre les contacts de chaque pôle.

*2. Max. 80 m - Total max. y compris l'ensemble de la connexion intérieure/ intérieure de 80 m.

- Utilisez un câble pour S1 et S2 et un autre pour S3 comme indiqué sur l'illustration.
- Max. 50 m - Total max. pour les modèles PEA. Taille du câblage 3 x 1,5 (polarisé).

*3. Un câble de 10 m est fixé à la télécommande.

*4. La tension NE s'applique PAS à la mise à la terre.



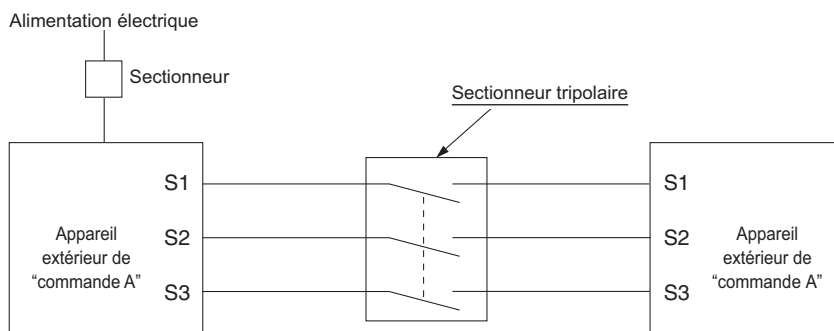
La borne S3 présente une différence de 24 V CC par rapport à la borne S2. Les bornes S3 et S1 ne sont pas isolées électriquement par le transformateur ou tout autre appareil.

Remarques: 1. La taille des fils doit être conforme aux réglementations nationales et locales pertinentes.

2. Le poids des câbles de connexion entre l'appareil intérieur et l'appareil extérieur doit être égal ou supérieur au poids de câbles flexibles à gaine polychloroprène (conception 60245 IEC 57).

3. Utiliser un câble de terre plus long que les autres cordons pour éviter qu'il ne se débranche lorsqu'il est sous tension.

Ne jamais effectuer de jonction du câble d'alimentation ou du câble de raccordement intérieur-extérieur car cela peut entraîner une surchauffe, un incendie ou un raccordement défaillant.







6. Installations électriques

⚠ Avertissement:

S'il s'agit d'un câblage de commande A, un risque de haute tension existe sur la borne S3 en raison d'une conception de circuit électrique dépourvue d'un isolant électrique entre la ligne de commande et la ligne de signal de communication. Par conséquent, mettre l'alimentation principale hors tension lors de l'entretien. Veiller également à ne pas toucher les bornes S1, S2 et S3 lorsque l'alimentation est sous tension. S'il faut placer un sectionneur entre les appareils extérieur et intérieur, en utiliser un de type tripolaire.

SPÉCIFICATIONS DU CÂBLAGE - 220 à 240 V 50 Hz (CÂBLE DE RACCORDEMENT INTÉRIEUR/EXTÉRIEUR)

Section de câble	Dimension du câble (mm ²)	Nombre de fils	Polarité	L (m)*6
Rond 	2,5	3	Sens des aiguilles d'une montre : S1-S2-S3 * Faire attention à la bande jaune et verte	(30) *2
Flat 	2,5	3	Non applicable (Car le câble central n'a pas de finition de protection)	Non applicable *5
Flat 	1,5	4	De gauche à droite : S1-Ouvert-S2-S3	(18) *3
Rond 	2,5	4	Sens des aiguilles d'une montre : S1-S2-S3-Ouvert * Connecter S1 et S3 à l'angle opposé	(30) *4

*1 : Le poids des cordons d'alimentation des appareils ne doit pas être inférieur à celui du modèle 60245 IEC ou 227 IEC.

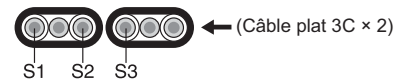
*2 : Si ce câble rayé jaune et vert est disponible.

*3 : En cas de connexion de polarité normale (S1-S2-S3), la dimension du câble est de 1,5 mm².

*4 : En cas de connexion de polarité normale (S1-S2-S3).

*5 : Si les câbles plats sont raccordés comme illustré, ils peuvent être utilisés jusqu'à 30 m.

*6 : La longueur de câble mentionnée n'est qu'une valeur de référence. Elle peut être différente en fonction des conditions d'installation, de l'humidité ou des équipements, etc.



Assurez-vous de brancher les câbles de raccordement intérieur-extérieur directement aux appareils (pas de raccordements intermédiaires). Les raccordements intermédiaires peuvent entraîner des erreurs de communication si de l'eau entre dans les câbles et provoquer une isolation insuffisante à la terre ou un mauvais contact électrique au point de raccordement intermédiaire.

7. Marche d'essai

7.1. Avant la marche d'essai

► Lorsque l'installation, le tuyautage et le câblage des appareils intérieur et extérieur sont terminés, vérifier l'absence de fuites de réfrigérant, la fixation des câbles d'alimentation et de commande, l'absence d'erreur de polarité et contrôler qu'aucune phase de l'alimentation n'est déconnectée.

► Utiliser un mégohm-mètre de 500V pour s'assurer que la résistance entre les terminaux d'alimentation électrique et la terre soit au moins de 1,0 MΩ.

► Ne pas effectuer ce test sur les terminaux des câbles de contrôle (circuit à basse tension).

⚠ Avertissement:

Ne pas utiliser le climatiseur si la résistance de l'isolation est inférieure à 1,0 MΩ.

Résistance de l'isolation

Après l'installation ou après la coupure prolongée de la source d'alimentation, la résistance de l'isolation chutera en deçà de 1 MΩ en raison de l'accumulation de réfrigérant dans le compresseur. Il ne s'agit pas d'un dysfonctionnement. Respectez les procédures suivantes.

- Retirer les câbles du compresseur et mesurer la résistance de l'isolation du compresseur.
- Si la résistance de l'isolation est inférieure à 1 MΩ, le compresseur est défaillant ou du réfrigérant s'est accumulé dans le compresseur.
- Après avoir connecté les câbles au compresseur, celui-ci commence à chauffer dès qu'il est sous tension. Après avoir mis sous tension le compresseur pendant les durées indiquées ci-dessous, mesurer de nouveau la résistance de l'isolation.
 - La résistance de l'isolation chute en raison de l'accumulation de réfrigérant dans le compresseur. La résistance dépassera 1 MΩ après que le compresseur a chauffé pendant 4 heures.
(Le temps mis par le compresseur pour chauffer varie selon les conditions atmosphériques et l'accumulation de réfrigérant).

- Pour faire fonctionner le compresseur dans lequel s'est accumulé du réfrigérant, il est nécessaire de le faire chauffer pendant au moins 12 heures afin d'éviter toute défaillance.

4. Si la résistance de l'isolation dépasse 1 MΩ, le compresseur n'est pas défectueux.

⚠ Précaution:

- Le compresseur fonctionnera uniquement si les connexions des phases de l'alimentation électrique sont correctes.
- Mettez l'appareil sous tension au moins 12 heures avant de le faire fonctionner.
- La mise en marche de l'appareil immédiatement après sa mise sous tension pourrait provoquer de sérieux dégâts aux éléments internes. Ne mettez pas l'appareil hors tension pendant la saison de fonctionnement.

► Les points suivants doivent être contrôlés également.

- L'appareil extérieur n'est pas défectueux. Les témoins 1 et 2 (LED1 et LED2) sur la carte de commande de l'appareil extérieur clignotent lorsque celui-ci est défectueux.
- Les vannes d'arrêt de liquide et de gaz sont complètement ouvertes.
- Une feuille protectrice recouvre la surface du panneau des commutateurs DIP sur la carte de commande de l'appareil extérieur. Retirer la feuille protectrice pour utiliser aisément les commutateurs DIP.

7.2. Marche d'essai

7.2.1. Utilisation de SW4 dans l'appareil intérieur

SW4-1	ON	Fonctionnement du rafraîchissement
SW4-2	OFF	
SW4-1	ON	Fonctionnement du chauffage
SW4-2	ON	

- Après avoir effectué l'essai de fonctionnement, placer SW 4-1 sur OFF.
- Une fois sous tension, un cliquetis provenant de l'intérieur de l'appareil extérieur se fait entendre. Le détendeur électronique s'ouvre et se ferme. L'appareil n'est pas défectueux.

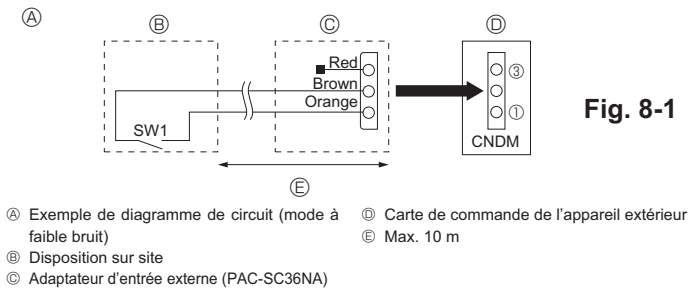
- Quelques secondes après le démarrage du compresseur, un bruit métallique provenant de l'intérieur de l'appareil extérieur peut retentir. Le bruit provient de la valve de contrôle et s'explique par une différence de pression minimale dans les tuyaux. L'appareil n'est pas défectueux.

Le mode d'essai ne peut pas être modifié via le commutateur DIP SW4-2 lors de la marche d'essai. (Pour ce faire, arrêter l'essai via le commutateur DIP SW4-1. Une fois le mode modifié, reprendre l'essai via le commutateur SW4-1.)

7.2.2. Utilisation de la télécommande

Reportez-vous au manuel d'installation de l'appareil intérieur.

8. Fonctions spéciales

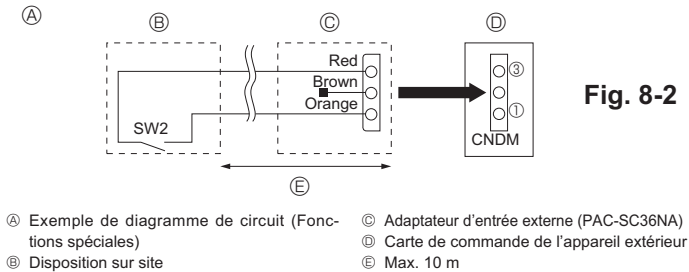


8.1. Mode à faible bruit (modification sur site) (Fig. 8-1)

En apportant la modification suivante, le bruit de fonctionnement de l'appareil extérieur peut être réduit d'environ 3 à 4 dB.

Le mode à faible bruit est activé lorsqu'un temporisateur disponible dans le commerce ou l'entrée par contact d'un commutateur MARCHE/ARRET est ajouté au connecteur CNDM (option) sur la carte de commande de l'appareil extérieur.

- La capacité dépend de la température et des conditions extérieures, etc.
- ① Etablir le circuit comme illustré lors de l'utilisation de l'adaptateur d'entrée externe (PAC-SC36NA). (Option)
- ② SW1 ON : Mode à faible bruit
SW1 OFF : Fonctionnement normal



8.2. Fonctions spéciales (modification sur site) (Fig. 8-2)

En apportant les modifications suivantes, la consommation électrique peut être réduite de 0-100% par rapport à la consommation normale.

Cette fonction spéciale sera activée lorsqu'une minuterie disponible dans le commerce ou l'entrée par contact d'un commutateur ON/OFF (marche/arrêt) sera ajoutée au connecteur CNDM (en option) sur le panneau du contrôleur de l'appareil extérieur.

- ① Etablir le circuit comme illustré lors de l'utilisation de l'adaptateur d'entrée externe (PAC-SC36NA). (Option)
- ② En installant les commutateurs SW7-1 et SW7-2 sur le panneau du contrôleur de l'appareil extérieur, la consommation électrique (par rapport à la consommation normale) sera réduite comme indiquée ci-dessous.

SW7-1	SW7-2	Consommation électrique (SW2 ON)
OFF	OFF	0% (Arrêt)
ON	OFF	50%
OFF	ON	75%

8.3. Récupération du réfrigérant (Aspiration)

Effectuer les opérations suivantes pour récupérer le réfrigérant en cas de déplacement des appareils intérieur ou extérieur.

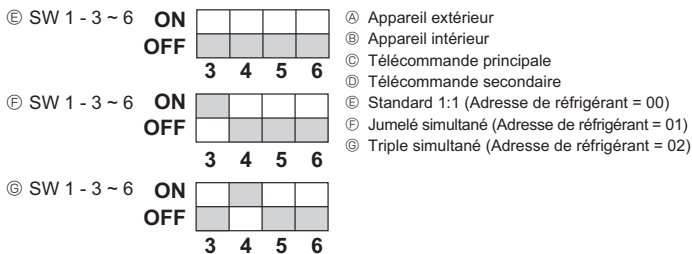
- ① Mettre sous tension (coupe-circuit).
 - * Lors de la mise sous tension, vérifier que "CENTRALLY CONTROLLED" ne s'affiche pas sur la télécommande. Si "CENTRALLY CONTROLLED" s'affiche, la récupération de réfrigérant ne peut pas s'effectuer normalement.
 - * Le démarrage de la communication interne-externe prend environ 3 minutes après la mise sous tension (coupe-circuit). Démarrer la purge 3 à 4 minutes après la mise sous tension (coupe-circuit).
- ② Une fois la vanne d'arrêt de liquide fermée, activer le commutateur SWP sur la carte de commande de l'appareil extérieur. Le compresseur (appareil extérieur) et les ventilateurs (appareils intérieur et extérieur) s'enclenchent et la récupération du réfrigérant commence. Les témoins DEL 1 et 2 de la carte de commande de l'appareil extérieur s'allument.
 - * N'activer que le commutateur SWP (type bouton-poussoir) si l'appareil est arrêté. Toutefois, la récupération de réfrigérant ne peut pas s'effectuer même si l'appareil est arrêté et le commutateur SWP activé moins de 3 minutes après l'arrêt du compresseur. Attendre 3 minutes après l'arrêt du compresseur et activer de nouveau le commutateur SWP.

- ③ Étant donné que l'appareil s'arrête automatiquement après 2 à 3 minutes lorsque la collecte du réfrigérant est terminée (DEL1 éteinte, DEL2 allumée), veiller à fermer rapidement le robinet d'arrêt du gaz. Si la DEL1 est allumée et la DEL2 éteinte et que l'appareil extérieur est arrêté, la collecte du réfrigérant ne s'est pas effectuée correctement. Ouvrir complètement le robinet d'arrêt du liquide puis attendre 3 minutes avant de répéter l'étape ②.
 - * Si la collecte de réfrigérant s'est effectuée normalement (DEL1 éteinte, DEL2 allumée), l'appareil restera à l'arrêt jusqu'à la remise sous tension.
- ④ Mettre hors tension (coupe-circuit).
 - * Attention : si le tuyau de rallonge est très long et contient une grande quantité de réfrigérant, il peut être impossible d'effectuer une purge. Lors de l'opération d'évacuation, s'assurer que la basse pression est proche de 0 MPa (jauge).

⚠ Avertissement:

Pendant la purge du réfrigérant, arrêter le compresseur avant de débrancher les tuyaux de réfrigérant. Le compresseur peut éclater si de l'air, etc. pénètre à l'intérieur.

9. Contrôle du système (Fig. 9-1)



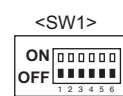
- * Régler l'adresse de réfrigérant avec le commutateur DIP de l'appareil extérieur.

- ① Câblage depuis la télécommande
Ce fil se raccorde à TB5 (bornier de la télécommande) de l'appareil intérieur (non polaire).
- ② Lors de l'utilisation d'un groupe à système de réfrigérant différent
Il est possible de contrôler un maximum de 16 systèmes de réfrigérant comme un groupe unitaire avec la télécommande MA plate.

Remarque:

Il n'est pas nécessaire d'effectuer de câblage ② dans les systèmes de réfrigération simples (jumelé/triple).

SW1
Tableau des fonctions



	Fonction	Fonctionnement selon le réglage du commutateur	
		ON	OFF
Réglages des fonctions du SW1	1 Dégivrage obligatoire	Marche	Normal
	2 Historique des erreurs effacée	Effacer	Normal
	3 Réglage des adresses du système de réfrigérant	Réglages des adresses des appareils extérieurs de 0 à 15	
	4		
	5		
	6		

Inhoud

1. Veiligheidsvoorschriften	29	6. Elektrische aansluitingen	34
2. Plaats	30	7. Proefdraaien	36
3. Het buitenapparaat installeren	31	8. Speciale functies	37
4. Installeren van de koelstofleidingen	32	9. Het systeem controleren (Fig. 9-1)	37
5. Installatie van Draineerbuizen	34		

1. Veiligheidsvoorschriften

- ▶ Lees alle "Veiligheidsvoorschriften" voordat u het apparaat installeert.
- ▶ Stel de aanleverende instantie op de hoogte of vraag om toestemming voordat u het systeem aansluit op het net.
- ▶ Deze apparatuur voldoet aan IEC 61000-3-12, mits het kortsluitvermogen S_{sc} groter is dan of gelijk is aan $S_{sc} (*1)$ op het aansluitpunt tussen de stroombron van de gebruiker en het openbare systeem. Het is de verantwoordelijkheid van de installateur of gebruiker van de apparatuur, zo nodig in overleg met de beheerder van het distributienetwerk, om ervoor te zorgen dat de apparatuur alleen wordt aangesloten op een stroombron met een kortsluitvermogen S_{sc} groter dan of gelijk aan $S_{sc} (*1)$.

$S_{sc} (*1)$

Modellen	S_{sc} (MVA)
PUHZ-P200	1.35
PUHZ-P250	1.49

⚠ Waarschuwing:

- Het apparaat mag niet door de gebruiker zelf worden geïnstalleerd. Vraag de dealer of een erkende installateur om het apparaat te installeren. Onjuiste installatie van het apparaat kan leiden tot waterlekage, elektrische schokken of brand.
- Volg voor de installatie de instructies in de installatiehandleiding en gebruik gereedschap en pijpmateriaal dat speciaal is gemaakt voor gebruik met R410A-koelstof. De R410A-koelstof in het HFC-systeem wordt gebruikt onder een 1,6 maal grotere druk als normale koelstoffen. Wanneer niet voor R410A-koelstof ontworpen pijpdelen worden gebruikt en het apparaat onjuist wordt geïnstalleerd, kunnen de pijpen knappen waardoor schade of letsel kan ontstaan. Daarnaast kunnen waterlekage, elektrische schokken of brand optreden.
- Het apparaat dient volgens de instructies te worden geïnstalleerd om het risico op beschadiging bij een aardbeving of storm te beperken. Een onjuist geïnstalleerd apparaat kan vallen en schade of letsel veroorzaken.
- Het apparaat moet worden geïnstalleerd op een constructie die het gewicht ervan kan dragen. Als het apparaat wordt geïnstalleerd op een instabiele constructie, kan het vallen en schade of letsel veroorzaken.
- Als het apparaat in een kleine ruimte wordt geïnstalleerd, moeten maatregelen worden genomen tegen het wegglekken van koelstof. De concentratie weggelekt koelstof in de lucht mag de grenswaarden niet overschrijden. Vraag de dealer wat u tegen het overmatig wegglekken van koelstof kunt doen. Als de concentratie koelstof in de lucht te hoog wordt, kan zuurstofgebrek in de ruimte optreden.
- Ventileer de ruimte als er koelstof wegglekt wanneer het apparaat in werking is. Als de koelstof in contact komt met vuur, komen giftige gassen vrij.
- De installatie van de elektrische onderdelen moet worden uitgevoerd door een gediplomeerde elektricien in overeenstemming met de lokale regelgeving en de instructies in deze handleiding. Installeer stroomonderbrekers en zorg voor een juiste voedingsspanning. Sluit geen andere apparatuur aan op de voedingsleidingen van de apparaten. Onjuist geïnstalleerde of ongeschikte voedingsleidingen kunnen elektrische schokken of brand veroorzaken.
- Gebruik fosforhoudende, zuurstofarme, naadloze C1220-pijpen van koper of koperlegeringen als koelstofpijpen. Als de pijpen onjuist worden aangesloten, is het apparaat niet goed geaard en kunnen elektrische schokken optreden.

1.1. Voor de installatie

⚠ Voorzichtig:

- Gebruik het apparaat niet in bijzondere omgevingen. Installeer de airconditioner niet in ruimtes waarin deze wordt blootgesteld aan stoom, vluchtige olie (inclusief machine-olie) of zwavelgas, gebieden met een zout klimaat zoals de kust of gebieden waar het apparaat kan worden bedekt door sneeuw, omdat hierdoor de prestaties aanzienlijk kunnen verminderen en schade kan ontstaan aan de interne onderdelen.
- Installeer het apparaat niet in ruimtes waar brandbare gassen worden geproduceerd of kunnen lekken, stromen of samenstromen. Ophoping van brandbare gassen rond het apparaat kan leiden tot brand of een explosie.

1.2. Voor de installatie (verplaatsing)

⚠ Voorzichtig:

- Wees uitermate voorzichtig bij het vervoeren of installeren van de behuizingen. Het apparaat dient door 2 of meer personen te worden getild, aangezien het 20 kg of meer weegt. Til het apparaat niet op aan de verpakkingsbanden. Draag beschermende handschoenen als u de behuizing uit de verpakking haalt en bij het vervoeren ervan, omdat u uw handen kunt bezeren aan de ventilatoren, de randen of andere delen.
- Zorg dat het verpakkingsmateriaal op een veilige manier wordt weggeworpen. Verpakkingsmaterialen zoals klemmen en andere metalen of houten onderdelen kunnen snijwonden of ander letsel veroorzaken.

⚠ Waarschuwing:

Beschrijft maatregelen die genomen moeten worden om het risico van verwonding of dood van de gebruiker te voorkomen.

⚠ Voorzichtig:

Beschrijft maatregelen die genomen moeten worden om schade aan het apparaat te voorkomen.

Informeer de klant na voltooiing van de installatie over de "Veiligheidsvoorschriften", het gebruik en het onderhoud van het apparaat en laat het apparaat proefdraaien om de werking ervan te controleren. Zowel de installatie- als de gebruikershandleiding dienen ter bewaring aan de gebruiker te worden gegeven. Deze handleidingen dienen te worden doorgegeven aan latere gebruikers.

⚠ : Geeft een onderdeel aan dat geaard moet worden.

⚠ Waarschuwing:

Lees de stickers die op het apparaat zitten zorgvuldig.

- Gebruik uitsluitend de gespecificeerde kabels voor het verbinden. De aansluitingen moeten stevig vastzitten zonder druk op de aansluitpunten. Spleet de kabels nooit voor het bedraden (tenzij in deze handleiding anders wordt aangegeven). Het niet opvolgen van deze aanwijzingen kan leiden tot oververhitting of brand.
- Het deksel van het aansluitblok van het buitenapparaat moet stevig worden vastgemaakt. Bij onjuiste montage van het deksel kunnen stof en vocht in het apparaat komen, wat een elektrische schok of brand kan veroorzaken.
- Gebruik bij het installeren of verplaatsen van het apparaat uitsluitend de voorgeschreven koelstof (R410A) voor het vullen van de koelstofpijpen. Meng de koelstof niet met andere koelstoffen en let erop dat er geen lucht in de pijpen achterblijft. Als de koelstof wordt gemengd met lucht, kan dit een uitzonderlijk hoge druk in de koelstofpijp tot gevolg hebben. Dit kan resulteren in explosiegevaar en andere gevaren. Als er een andere koelstof wordt gebruikt dan de voorgeschreven koelstof, heeft dit mechanische storingen, storingen van het systeem of uitval van het apparaat tot gevolg. In het ergste geval kan de veiligheid van het product ernstig in gevaar komen.
- Gebruik uitsluitend door Mitsubishi Electric goedgekeurde accessoires en vraag de dealer of een erkende installateur deze te installeren. Onjuiste installatie van accessoires kan leiden tot waterlekage, elektrische schokken of brand.
- Breng geen wijzigingen aan aan het apparaat. Neem voor reparatie contact op met de dealer. Onjuist uitgevoerde reparaties of wijzigingen kunnen leiden tot waterlekage, elektrische schokken of brand.
- De gebruiker mag nooit proberen het apparaat zelf te repareren of te verplaatsen. Onjuiste installatie van het apparaat kan leiden tot waterlekage, elektrische schokken of brand. Als het apparaat moet worden gerepareerd of verplaatst, neem dan contact op met de dealer of een erkende installateur.
- Controleer na voltooiing van de installatie op koelstoflekage. Als koelstof naar de ruimte lekt en in contact komt met de vlam van een verwarmings- of kookapparaat, komen giftige gassen vrij.

- Het buitenapparaat produceert condens tijdens de verwarmingsfase. Zorg voor afvoer rond het buitenapparaat als dergelijk condensvocht schade kan veroorzaken.
- Houd rekening met geluid en elektrische storingen bij installatie van het apparaat in een ziekenhuis of communicatieruimte. Stroomomzetters, huishoudelijke apparaten, hoogfrequente medische apparatuur en radio-communicatieapparatuur kunnen storingen in de airconditioner veroorzaken. Omgekeerd kan de airconditioner storingen veroorzaken in medische apparatuur, communicatieapparatuur en de weergave van beeldschermen.

- Controleer de dragende constructie en bevestiging van het buitenapparaat regelmatig op loszitten, scheuren of andere beschadigingen. Als dergelijke problemen niet worden verholpen, kan het apparaat vallen en schade of letsel veroorzaken.
- Gebruik geen water om de airconditioner te reinigen. Hierdoor kunnen elektrische schokken optreden.
- Trek alle flensmoeren aan tot het opgegeven aanhaalmoment met een momentsleutel. Bij overmatig aantrekken kan de flensmoer na enige tijd breken waardoor koelstof kan wegglekken.

1. Veiligheidsvoorschriften

1.3. Voor de installatie van de elektrische bedrading

⚠ Voorzichtig:

- Installeer stroomonderbrekers. Als er geen stroomonderbrekers worden geïnstalleerd, kunnen elektrische schokken optreden.
- Gebruik voor de voedingsleidingen standaardkabels met voldoende capaciteit. Te lichte kabels kunnen kortsluiting, oververhitting of brand veroorzaken.
- Oefen bij de installatie van de voedingsleidingen geen trekkracht uit op de kabels. Als de aansluitingen loszitten, kunnen de kabels loskomen of breken en oververhitting of brand veroorzaken.

1.4. Voor het proefdraaien

⚠ Voorzichtig:

- Zet de netspanningsschakelaar ten minste 12 uur voordat u het apparaat gaat gebruiken aan. Als u het apparaat direct na het aanzetten van de netspanningsschakelaar inschakelt, kunnen de interne onderdelen ernstig beschadigd raken. Laat de netspanningsschakelaar altijd aanstaan gedurende het seizoen waarin u het apparaat gebruikt.
- Controleer voordat u begint met proefdraaien of alle panelen, beveiligingen en andere beschermende onderdelen goed zijn geïnstalleerd. Draaiende of warme onderdelen of onderdelen onder hoge spanning kunnen letsel veroorzaken.

1.5. Gebruik van airconditioners met R410A-koelstof

⚠ Voorzichtig:

- Gebruik nieuwe koelstofpijpen. Let bij het hergebruik van pijpen waarin R22-koelstof heeft gezeten op het volgende:
 - Reinig de pijpen en zorg ervoor dat de pijpen aan de binnenzijde schoon zijn.
 - Vervang de bestaande flensmoeren en tromp de aansluitingsoppervlakken opnieuw op.
 - Gebruik geen dunne pijpen. (Zie 4.1.)
- Gebruik fosforhoudende, zuurstofarme, naadloze C1220-pijpen van koper of koperlegeringen als koelstofpijpen. Controleer of de binnenkant van de pijpen schoon is en vrij van schadelijke stoffen zoals zwavelverbindingen, oxidanten, vuil of stof. Gebruik pijpen van de opgegeven dikte. (Zie 4.1.)
- Bewaar de pijpen die voor de installatie zullen worden gebruikt binnenshuis en laat de verzegeling aan beide uiteinden intact tot vlak voor het solderen. (Laat kniestukken, etc. in hun verpakking.) Het binnendringen van stof, vuil of vocht in de koelstofpijpen kan leiden tot achteruitgang van de olie of compressorstoringen.
- Gebruik esterolie, etherolie of alkybenzeen (in kleine hoeveelheden) als koelolie om de aansluitingsoppervlakken af te dichten. Vermenging van de koelolie met mineraalolie kan leiden tot achteruitgang van de koelolie.

- Zorg ervoor dat het apparaat goed is geaard. Sluit de aardleiding niet aan op een gas- of waterleiding, bliksemafleider of aardleiding voor de telefoon. Onjuiste aarding van het apparaat kan elektrische schokken veroorzaken.
- Gebruik stroomonderbrekers (aardlekschakelaar, isolatieschakelaar (+Bzeker) en onderbreker met gegoten behuizing) met de opgegeven capaciteit. Het gebruik van stroomonderbrekers met een te hoge capaciteit kan storingen of brand veroorzaken.

- Raak de schakelaars nooit met natte vingers aan. Hierdoor kan een elektrische schok optreden.
- Raak de koelstofpijpen niet met blote handen aan als het apparaat in werking is. De koelstofpijpen zijn heet of koud afhankelijk van de toestand van de koelstof. Bij het aanraken van de pijpen kunt u brandwonden of bevriezingen oplopen.
- Wacht nadat het apparaat is uitgeschakeld ten minste vijf minuten voordat u de netspanningsschakelaar uitzet. Eerder uitzetten kan waterlekkage of storingen veroorzaken.

- Gebruik uitsluitend R410A-koelstof. Bij gebruik van andere koelstoffen veroorzaakt de chloor achteruitgang van de koelolie.
- Gebruik een vacuümpomp met een retourstroomregelklep. Als de olie van de vacuümpomp terugstroomt in de koelleidingen, kan de koelolie vervuild raken.
- Gebruik gereedschap dat speciaal is ontworpen voor gebruik met R410A-koelstof. Het volgende gereedschap is vereist. Neem voor vragen contact op met de dichtstbijzijnde dealer.

Gereedschap (voor R410A)	
Verdeelventiel	Optrompgereedschap
Vulslang	Maatafstemmingsmeter
Gaslekdetector	Vacuümpompadapter
Momentsleutel	Elektronische koelstofdrukmeter

- Gebruik uitsluitend de juiste gereedschappen. Het binnendringen van stof, vuil of vocht in de koelstofpijpen kan leiden tot achteruitgang van de koelolie.
- Maak geen gebruik van een vulcilinder. Het gebruik van een vulcilinder leidt tot veranderingen in de samenstelling van de koelstof, waardoor de efficiëntie wordt verminderd.

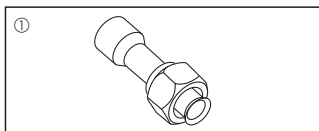


Fig. 1-1

1.6. Accessoires van het buitenapparaat (Fig. 1-1)

De aan de linkerzijde getoonde onderdelen zijn de accessoires van dit apparaat en zijn aangebracht aan de binnenzijde van het onderhoudspaneel.

- ① Verbindingspijp.....x1

2. Plaats

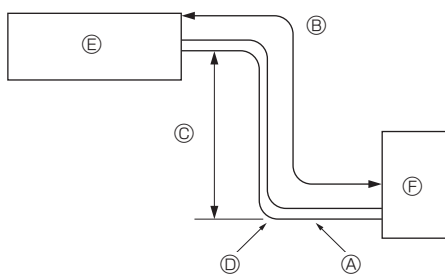


Fig. 2-1

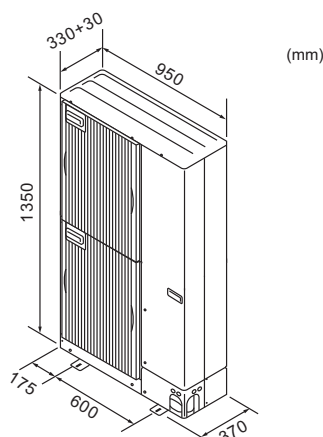


Fig. 2-2

2.1. Koelpijpen (Fig. 2-1)

▶ Controleer dat het verschil in hoogte tussen het binnen- en het buitenapparaat, de lengte van de koelpijpen en het aantal bochten in de leidingen binnen de limieten zoals in onderstaande tabel aangegeven vallen.

Modellen	A Afmeting leiding(mm)		B Pijplengte (1 richting)	C Hoogteverschil	D Aantal bochten bends (1 richting)
	Gaszijde	Vloeistofzijde			
P200	ø25,4	ø9,52	Max. 70 m	Max. 30 m	Max. of 15
P250	(ø28,58)	ø12,7	Max. 70 m	Max. 30 m	Max. of 15

- De begrenzingen voor het hoogteverschil zijn voor alle opstellingen van binnen- en buitenapparaten bindend, onafhankelijk van het feit welk apparaat hoger opgesteld wordt.

- ⓔ Binnenapparaat
- ⓕ Buitenapparaat

2.2. De installatieplaats voor het buitenapparaat kiezen

- Vermijd plaatsen die worden blootgesteld aan direct zonlicht of andere warmtebronnen.
- Kies een plaats waar niemand last heeft van het geluid van het apparaat.
- Kies een plaats die eenvoudige aansluiting van de elektrische bedrading en pijpen naar het binnenapparaat mogelijk maakt.
- Vermijd plaatsen waar brandbare gassen worden geproduceerd of kunnen lekken, stromen of samenstromen.
- Houd er rekening mee dat er tijdens de werking water uit het apparaat kan druppelen.
- Kies een vlakke constructie die bestand is tegen het gewicht en de trillingen van het apparaat.
- Vermijd plaatsen waar het apparaat door sneeuw kan worden bedekt. In sneeuwrijke gebieden moeten speciale maatregelen worden getroffen zoals het verhogen van de installatieplaats of het plaatsen van een afdak om te voorkomen dat de sneeuw in of tegen de luchtinlaat terecht komt. De sneeuw kan de normale luchtstroom bemoeilijken en storingen veroorzaken.
- Vermijd plaatsen die worden blootgesteld aan olie, stoom of zwavelgas.
- Gebruik de tilhandgrepen van het buitenapparaat om het apparaat te verplaatsen. Als het apparaat van onderen wordt beetgepakt, kunnen verwondingen ontstaan aan de handen of vingers.

2.3. Buitenafmetingen (Buitenapparaat) (Fig. 2-2)

2. Plaats

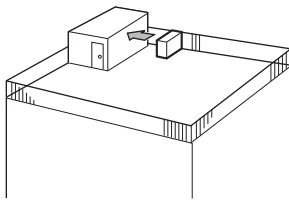


Fig. 2-3

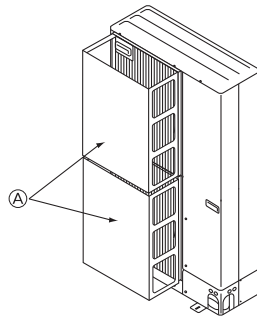


Fig. 2-4

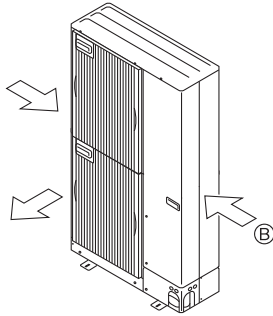


Fig. 2-5

2.4. Ventilatie en bereikbaarheid

2.4.1. Installatie op winderige plaatsen

Als het buitenapparaat wordt geïnstalleerd op een dak of een andere plaats waar de wind vrij spel heeft, moet de luchtuitlaat van het apparaat zo worden gericht dat deze niet rechtstreeks blootstaat aan krachtige windstoten. Krachtige windstoten die de luchtuitlaat binnendringen kunnen de normale luchtstroom bemoeilijken en storingen veroorzaken.

Hieronder volgen drie manieren om het apparaat tegen krachtige windstoten te beschermen.

- ① Richt de luchtuitlaat naar de dichtstbijzijnde muur, op ongeveer 50 cm van de muur. (Fig. 2-3)
- ② Installeer een optionele luchtgeleider als het apparaat wordt geïnstalleerd op een plaats waar krachtige windstoten bij storm etc. rechtstreeks de luchtuitlaat kunnen binnendringen. (Fig. 2-4)
 - Ⓐ Luchtgeleider
- ③ Plaats het apparaat indien mogelijk zo dat de luchtuitlaat in dezelfde richting blaast als de seizoenswinden. (Fig. 2-5)
 - Ⓑ Windrichting

2.4.2. Bij installatie van één buitenapparaat (Raadpleeg de laatste pagina)

De minimale afmetingen zijn als volgt aangegeven, behalve voor Max., hetgeen betekent de Maximale afmetingen.

Raadpleeg voor alle gevallen de getallen.

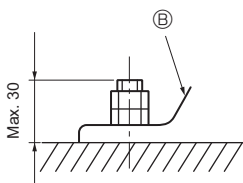
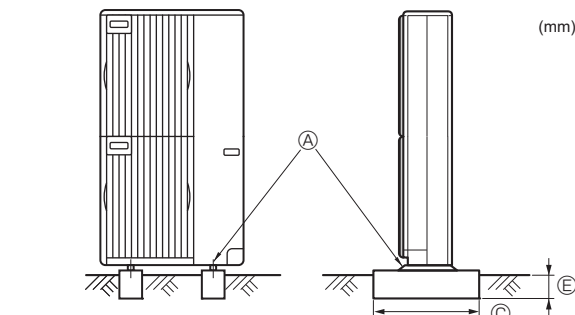
- ① Alleen obstakels aan de achterzijde (Fig. 2-6)
- ② Alleen obstakels aan de achter- en bovenzijde (Fig. 2-7)
- ③ Alleen obstakels aan de achterzijde en de zijkanten (Fig. 2-8)
- ④ Alleen obstakels aan de voorzijde (Fig. 2-9)
 - Bij gebruik van een optionele uitlaatluchtgeleider moet de vrije ruimte ten minste 500 mm bedragen.
- ⑤ Alleen obstakels aan de voor- en achterzijde (Fig. 2-10)
 - Bij gebruik van een optionele uitlaatluchtgeleider moet de vrije ruimte ten minste 500 mm bedragen.
- ⑥ Alleen obstakels aan de achter- en bovenzijde en de zijkanten (Fig. 2-11)
 - Maak geen gebruik van de optionele luchtgeleiders voor een opwaartse luchtstroom.

2.4.3. Bij installatie van meerdere buitenapparaten (Raadpleeg de laatste pagina)

Laat ten minste 10 mm ruimte vrij tussen de apparaten.

- ① Alleen obstakels aan de achterzijde (Fig. 2-12)
- ② Alleen obstakels aan de achter- en bovenzijde (Fig. 2-13)
 - Installeer niet meer dan drie apparaten naast elkaar. Laat bovendien ruimte vrij zoals afgebeeld.
 - Maak geen gebruik van de optionele luchtgeleiders voor een opwaartse luchtstroom.
- ③ Alleen obstakels aan de voorzijde (Fig. 2-14)
 - Bij gebruik van een optionele uitlaatluchtgeleider moet de vrije ruimte ten minste 1000 mm bedragen.
- ④ Alleen obstakels aan de voor- en achterzijde (Fig. 2-15)
 - Bij gebruik van een optionele uitlaatluchtgeleider moet de vrije ruimte ten minste 1000 mm bedragen.
- ⑤ Opstelling met één parallel apparaat (Fig. 2-16)
 - Bij gebruik van een optionele uitlaatluchtgeleider voor een opwaartse luchtstroom moet de vrije ruimte ten minste 1000 mm bedragen.
- ⑥ Opstelling met meerdere parallelle apparaten (Fig. 2-17)
 - Bij gebruik van een optionele uitlaatluchtgeleider voor een opwaartse luchtstroom moet de vrije ruimte ten minste 1500 mm bedragen.
- ⑦ Opstelling met boven elkaar geplaatste apparaten (Fig. 2-18)
 - Er kunnen twee apparaten boven elkaar worden geplaatst.
 - Installeer niet meer dan twee boven elkaar geplaatste apparaten naast elkaar. Laat bovendien ruimte vrij zoals afgebeeld.

3. Het buitenapparaat installeren



- Ⓐ M10 (3/8") bout
- Ⓑ Basis
- Ⓒ Zo lang mogelijk.
- Ⓓ Uitstroomopening
- Ⓔ Zet diep in de grond

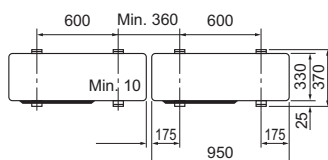


Fig. 3-1

- Zorg ervoor dat de eenheid op een stevig, waterpas oppervlak wordt geïnstalleerd om geratel tijdens het gebruik te voorkomen. (Fig. 3-1)

<Specificaties voor de fundering>

Funderingsbout	M10 (3/8")
Dikte van het beton	120 mm
Lengte van de bout	70 mm
Draagkracht	320 kg

- Zorg dat de lengte van de funderingsbout op een afstand van minder dan 30 mm van de onderkant van de basis komt.
- Zet de basis van de eenheid stevig vast met vier M10-funderingsbouten op een stevige ondergrond.

Installatie van het buitenapparaat

- Laat de uitstroomopening vrij. Als de uitstroomopening wordt geblokkeerd wordt de werking van het apparaat bemoeilijkt, waardoor storingen kunnen ontstaan.
- Gebruik naast de basis van het apparaat de installatieopeningen aan de achterzijde om waar nodig bedrading etc. te bevestigen. Gebruik zelftappende schroeven (ø5 × 15 mm of minder).

⚠ Waarschuwing:

- Het apparaat moet worden geïnstalleerd op een constructie die het gewicht ervan kan dragen. Als het apparaat wordt geïnstalleerd op een instabiele constructie, kan het vallen en schade of letsel veroorzaken.
- Het apparaat dient volgens de instructies te worden geïnstalleerd om het risico op beschadiging bij een aardbeving of storm te beperken. Een onjuist geïnstalleerd apparaat kan vallen en schade of letsel veroorzaken.

4. Installeren van de koelstofleidingen

4.1. Voorzorgsmaatregelen voor apparaten die gebruikmaken van R410A-koelstof

- Zie 1.5. voor niet hieronder vermelde voorzorgsmaatregelen voor airconditioners die gebruikmaken van R410A-koelstof.
- Gebruik esterolie, etherolie of alkylbenzeen (in kleine hoeveelheden) als koelolie om de aansluitingsoppervlakken af te dichten.
- Gebruik fosforhoudende, zuurstofarme, naadloze C1220-pijpen van koper of koperlegeringen als koelstofpijpen. Gebruik koelstofpijpen van de in de onderstaande tabel aangegeven dikte. Controleer of de binnenkant van de pijpen schoon is en vrij van schadelijke stoffen zoals zwavelverbindingen, oxidanten, vuil of stof.
Gebruik altijd niet-oxiderend soldeer wanneer u de pijpen soldeert, anders raakt de compressor beschadigd.

⚠ Waarschuwing:

Gebruik bij het installeren of verplaatsen van het apparaat uitsluitend de voorgeschreven koelstof (R410A) voor het vullen van de koelstofpijpen. Meng de koelstof niet met andere koelstoffen en let erop dat er geen lucht in de pijpen achterblijft.

Als de koelstof wordt gemengd met lucht, kan dit een uitzonderlijk hoge druk in de koelstofpijp tot gevolg hebben. Dit kan resulteren in explosiegevaar en andere gevaren.

Als er een andere koelstof wordt gebruikt dan de voorgeschreven koelstof, heeft dit mechanische storingen, storingen van het systeem of uitvallen van het apparaat tot gevolg. In het ergste geval kan de veiligheid van het product ernstig in gevaar komen.

Afmeting pijp (mm)	ø6,35	ø9,52	ø12,7	ø15,88	ø19,05	ø22,2	ø25,4	ø28,58
Dikte (mm)	0,8	0,8	0,8	1,0	1,0	1,0	1,0	1,0

- Gebruik geen dünnere pijpen dan hierboven aangegeven.

4.2. Aansluiten van de pijpen

- Als u koperen pijpen gebruikt, moet u de vloeistof- en gaspijpen met isolatiemateriaal bekleden (hittebestendig tot 100 °C, dikte van 12 mm of meer).
- De delen van de afvoerpip die binnenshuis lopen, moeten worden bekled met isolatiemateriaal van polyethyleenschuim (relatieve dichtheid 0,03, dikte 9 mm of meer).
- Doe een dun laagje koelmachineolie op de leiding en het aansluitingsoppervlak voordat u de "flare"-moer vastdraait. ④ (Fig. 4-1)
- Draai met gebruik van twee pijptangen de aansluitende leidingen vast. ⑤ (Fig. 4-1)
- Gebruik, nadat alle aansluitingen gemaakt zijn, een lekkagedetector of zeepsop om te controleren of er gaslekken zijn.
- Breng koelolie aan op de aansluitingsoppervlakken. ③ (Fig. 4-1)
- Gebruik de flensmoeren voor de volgende pijpafmetingen. ⑥ (Fig. 4-1)

		RP50	RP60,71	RP100-140
Gaszijde	Afmeting leiding (mm)	ø12,7	ø15,88	ø15,88
Vloeistofzijde	Afmeting leiding (mm)	ø6,35	ø9,52	ø9,52

- Let er bij het buigen van de pijpen op dat u deze niet breekt. Een buigstraal van 100 mm tot 150 mm is voldoende.
- Let erop dat de pijpen de compressor niet raken. Hierdoor kunnen ongewone geluiden of trillingen ontstaan.

① Begin met het aansluiten van de pijpen bij het binnenapparaat.

Trek de flensmoeren aan met een momentsleutel.

② Tromp de vloeistof- en gaspijpen op en breng een dun laagje koelolie aan op de aansluitingsoppervlakken.

- Als een gewoon pijpafdichtmiddel wordt gebruikt, zie dan Tabel 1 voor het optrompen van R410A-koelstofpijpen.

Gebruik de maatafstemmingsmeter om de afmetingen B te controleren.

Tabel 1 (Fig. 4-2)

Buitendiameter koperen pijp (mm)	B (mm)	
	Trompgereedschap voor R410A	Trompgereedschap voor R22-R407C
	Type koppeling	
ø6,35 (1/4")	0 - 0,5	1,0 - 1,5
ø9,52 (3/8")	0 - 0,5	1,0 - 1,5
ø12,7 (1/2")	0 - 0,5	1,0 - 1,5
ø15,88 (5/8")	0 - 0,5	1,0 - 1,5
ø19,05 (3/4")	0 - 0,5	1,0 - 1,5

③ Gebruik de volgende procedure voor het aansluiten van de pijpen aan de gaszijde. (Fig. 4-3)

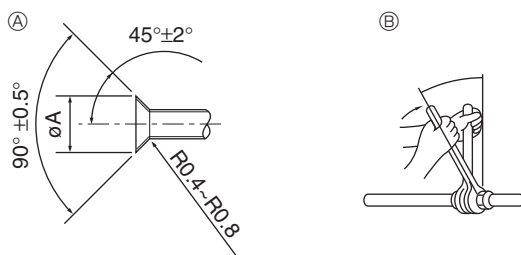
- 1 Soldeer de meegeleverde verbindingspijp ⑤ aan het buitenapparaat met ter plaatse verkregen soldeermateriaal en de plaatselijke leiding ③ zonder zuurstof.
- 2 Sluit de verbindingspijp ⑤ aan op de afsluitkraan aan de gaszijde. Gebruik twee sleutels om de flensmoer aan te trekken.

* Indien de volgorde wordt omgekeerd, treedt lekkage van koelvloeistof op doordat het gedeelte is beschadigd door soldeervuur.

- Voor PEA-RP200, 250, 400, 500GA

Voor het aansluiten van leidingen wordt soldeermateriaal gebruikt.

		PEA-200	PEA-250	PEA-400	PEA-500
Gaszijde	Afmeting leiding (mm)	ø25,4 (of ø28,58)			
Vloeistofzijde	Afmeting leiding (mm)	ø9,52	ø12,7	ø9,52	ø12,7



- ④ Afsnijmaten tromp
- ⑤ Aanhaalmoment flensmoer

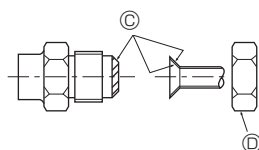


Fig. 4-1

④ (Fig. 4-1)

Buitendiameter koperen pijp (mm)	Afmetingen tromp øA (mm)
ø6,35	8,7 - 9,1
ø9,52	12,8 - 13,2
ø12,7	16,2 - 16,6
ø15,88	19,3 - 19,7
ø19,05	23,6 - 24,0

⑤ (Fig. 4-1)

Buitendiameter koperen pijp (mm)	Buitendiameter flensmoer (mm)	Aanhaalmoment (N·m)
ø6,35	17	14 - 18
ø6,35	22	34 - 42
ø9,52	22	34 - 42
ø12,7	26	49 - 61
ø12,7	29	68 - 82
ø15,88	29	68 - 82
ø15,88	36	100 - 120
ø19,05	36	100 - 120

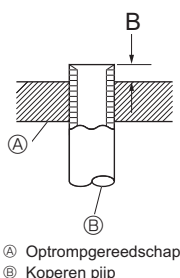


Fig. 4-2

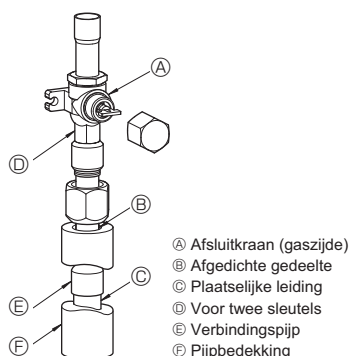


Fig. 4-3

- ④ Afsluitkraan (gaszijde)
- ⑤ Afgedichte gedeelte
- ③ Plaatselijke leiding
- ⑤ Voor twee sleutels
- ⑤ Verbindingspijp
- ⑥ Pijpbedekking

4. Installeren van de koelstofleidingen

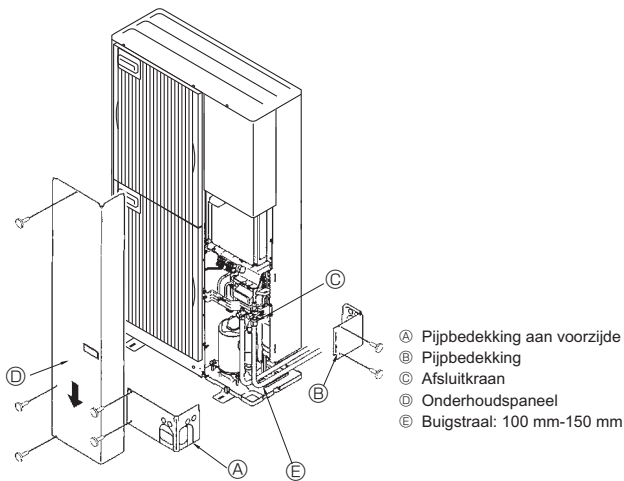
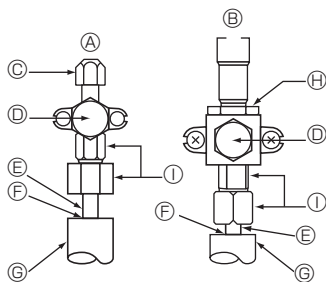


Fig. 4-4



- Ⓐ Afsluitkraan <vloeistofzijde>
- Ⓑ Afsluitkraan <gaszijde>
- Ⓒ Serviceaansluiting
- Ⓓ Open-/sluitgedeelte
- Ⓔ Plaatselijke leiding
- Ⓕ Af te dichtn
(Dicht het einde van het isolatiemateriaal bij de pijpverbinding af met een afdichtmiddel dat u voorhanden heeft zodat geen water het isolatiemateriaal binnendringt.)

- Ⓖ Pijpafdekking
- Ⓗ Gebruik hier geen sleutel. Dit kan lekkage van koelvloeistof veroorzaken.
- Ⓘ Voor twee sleutels (Gebruik alleen hier een sleutel. Op andere plaatsen veroorzaakt u daarmee koelstoflekkages.)

Fig. 4-5

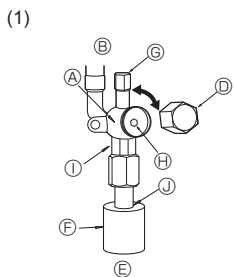


Fig. 4-6

- Ⓐ Kraan
- Ⓑ Zijde van het apparaat
- Ⓒ Bediening binnenwerk
- Ⓓ Kap
- Ⓔ Zijde van de plaatselijke leiding
- Ⓕ Pijpafdekking
- Ⓖ Serviceaansluiting
- Ⓗ Sleutelgat

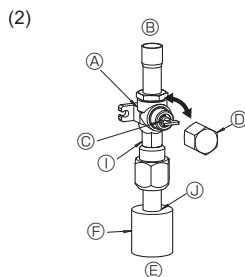


Fig. 4-7

- Ⓘ Voor twee sleutels (Gebruik alleen hier een sleutel. Op andere plaatsen veroorzaakt u daarmee koelstoflekkages.)
- Ⓕ Af te dichtn
(Dicht het einde van het isolatiemateriaal bij de pijpverbinding af met een afdichtmiddel dat u voorhanden heeft zodat geen water het isolatiemateriaal binnendringt.)

4.3. Koelleidingen (Fig. 4-4)

Verwijder het onderhoudspaneel Ⓓ (3 schroeven) en de pijpafdekkingen aan de voorzijde Ⓐ (2 schroeven) en de achterzijde Ⓑ (2 schroeven).

- ① Maak de verbindingen van de koelstofleidingen voor het binnen-/buitenapparaat als het afsluitkraan van het buitenapparaat geheel gesloten is.
- ② Ontlucht de binnenunit en de verbindingen.
- ③ Controleer na het aansluiten van de koelstofpijpen de pijpen en het binnenapparaat op gaslekkage. (Zie 4.4 'Lucht dichtheid van de koelstofpijpen testen'.)
- ④ Zet een sterke vacuümpomp op de dienstopening van de afsluitkraan en handhaaf nadat u -101 kPa (5 Torr) bereikt het vacuüm voldoende lang (minstens 1 uur) om de binnenzijde van de pijpen te vacuümdrogen. Controleer de mate van vacuüm altijd op het verdeelventiel. Als er nog vocht in de pijp zit, wordt de mate van vacuüm soms niet bereikt in een korte tijd van vacuüm toepassen. Zet na het vacuümdrogen de afsluitkranen (van zowel vloeistof als gas) voor het buitenapparaat geheel open. Hierdoor worden de koelstofpijpen van binnen- en buitenapparaat volledig met elkaar verbonden.

- Indien u onvoldoende vacuümdroogt, blijven lucht en waterdamp achter in de koelstofpijpen wat kan leiden tot abnormale stijging van hoge druk, abnormale daling van lage druk, achteruitgang van de koelmachineolie door vocht, etc.
- Als het apparaat wordt ingeschakeld terwijl de afsluitkranen nog gesloten zijn, zullen de compressor en de regelkraan beschadigd raken.
- Gebruik een lekdetector of zeepsop om de pijpverbindingen van het buitenapparaat te controleren.
- Gebruik niet de koelstof uit het apparaat voor het verwijderen van lucht uit de koelstofleidingen.
- Trek na voltooiing van de procedure de kraandoppen aan tot het juiste aanhaalmoment: 20 tot 25 N·m (200 tot 250 kgf·cm).

Als de doppen niet worden teruggeplaatst en aangetrokken, kan koelstoflekkage optreden. Let erop dat de binnenzijde van de kraandoppen niet wordt beschadigd, aangezien deze werken als een afdichting die koelstoflekkage voorkomt.

- ⑤ Dicht de uiteinden van het isolatiemateriaal bij de pijpverbindingen af met afdichtmiddel om te voorkomen dat er water onder het isolatiemateriaal doordringt.

4.4. Luchtdichtheid van de koelstofpijpen testen (Fig. 4-5)

(1) Sluit het testgereedschap aan.

- Controleer of de afsluitkranen Ⓐ en Ⓑ zijn gesloten en open deze niet.
- Zet druk op de koelstofpijpen via dienstopening Ⓒ van de vloeistofafsluitkraan Ⓐ.

(2) Voer de druk niet meteen op tot de opgegeven waarde, maar verhoog deze beetje bij beetje.

- ① Voer de druk op tot 0,5 MPa (5 kgf/cm²G), wacht 5 minuten en controleer vervolgens of de druk niet terugloopt.
- ② Voer de druk op tot 1,5 MPa (15 kgf/cm²G), wacht 5 minuten en controleer vervolgens of de druk niet terugloopt.
- ③ Voer de druk op tot 4,15 MPa (41,5 kgf/cm²G) en meet de omgevingstemperatuur en koelstofdruk.

(3) Als de gespecificeerde druk ongeveer een dag lang aanwezig blijft en niet terugloopt, zijn de pijpen in orde en zijn er geen lekkages.

- Als de omgevingstemperatuur verandert met 1 °C zal de druk veranderen met ongeveer 0,03 MPa (0,3 kgf/cm²G). Voer de nodige aanpassingen uit.

(4) Als de druk in stap (2) of (3) terugloopt, is er een gaslek. Zoek het lek.

4.5. Wijze van openen van de afsluitkraan

De wijze van openen van de afsluitkraan varieert met het model buitenapparaat. Open de afsluitkranen op de wijze die in uw situatie van toepassing is.

(1) Vloeistofzijde van afsluitkraan (Fig. 4-6)

- ① Togliere il cappuccio e girare la barra della valvola in senso antiorario fino a quando va con l'uso di una chiave esagonale da 4 mm. Smettere di girare quando colpisce il fermo. (Circa 10 giri)
- ② Let erop dat de afsluitkraan geheel open is en draai de kap terug naar de oorspronkelijke stand.

(2) Gaszijde van afsluitkraan (Fig. 4-7)

- ① Verwijder de dop, trek de hendel naar u toe en draai deze een 1/4 slag tegen de wijzers van de klok in om te openen.
- ② Zorg ervoor dat de afsluitkraan volledig is geopend, duw de hendel in en draai de dop terug naar de oorspronkelijke positie.

Isolerende bekleding voor de koelstofleidingen

- De pijpen kunnen zowel voor als na het aansluiten worden bekleed met isolatiemateriaal met een dikte van maximaal ø90. Snij het isolatiemateriaal langs de groef open en breng het op de pijpen aan.

Inlaatopening voor de leiding

- Dicht de inlaatopeningen rond de pijpen grondig af met afdichtmiddel of kit. (Als de openingen niet worden gedicht, kan er geluid door hoorbaar zijn of kunnen water en stof het apparaat binnendringen en storingen veroorzaken.)

Vorzorgsmaatregelen voor het gebruik van de vulkraan (Fig. 4-8)

Trek de dienstopening niet overmatig aan tijdens het installeren. Hierdoor kan de binnenkant van de kraan vervormen en los gaan zitten, wat kan leiden tot een gaslek. Draai nadat u gedeelte Ⓑ in de gewenste richting hebt geplaatst alleen gedeelte Ⓐ en trek dit gedeelte aan.

Trek gedeelten Ⓐ en Ⓑ niet verder aan, nadat u gedeelte Ⓐ hebt vastgedraaid.

⚠ Waarschuwing:

Als u het apparaat installeert, zet de koelmiddelleidingen dan stevig vast voordat u de compressor start.

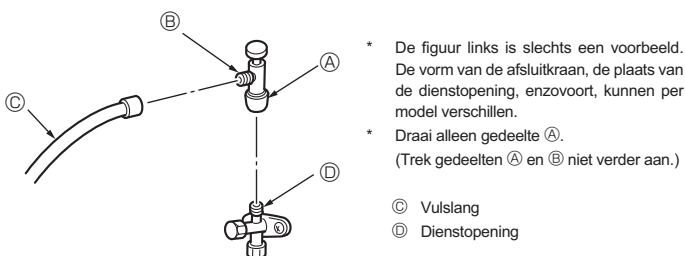


Fig. 4-8

- Ⓒ Vulslang
- Ⓓ Dienstopening

4. Installeren van de koelstofleidingen

4.6. Bijvullen van koelmiddel

- Bijvullen is niet nodig als de pijplengte minder dan 30 m bedraagt.
- Als de pijplengte langer is, dient u het apparaat met extra R410A-koelmiddel te vullen, in overeenstemming met de toegestane pijplengtes volgens de onderstaande tabel.
- * Zet als het apparaat is gestopt onderdruk op de verlengstukken en het binnenapparaat en vul het apparaat bij met koelstof via de vloeistofafsluitkraan. Voeg als het apparaat in werking is koelstof toe via de gaskeerklep met behulp van een veiligheidsvulapparaat. Vul niet rechtstreeks vloeibare koelstof bij via de keerklep.
- * Noteer na het bijvullen van het apparaat de hoeveelheid bijgevoelde koelstof op het aan het apparaat bevestigde onderhoudslabel. Zie de paragraaf "1.5. Gebruik van airconditioners met R410A-koelstof" voor meer informatie.

- Wees voorzichtig bij het installeren van meerdere apparaten. Aansluiting op het verkeerde binnenapparaat kan leiden tot een abnormaal hoge druk en de prestaties ernstig beïnvloeden.

Modellen	Toegestane pijplengte	Toegestane verticale verschil	Hoeveelheid bij te vullen koelstof			
			31 - 40 m	41 - 50 m	51 - 60 m	61 - 70 m
P200	70 m	30 m	0,9 kg	1,8 kg	2,7 kg	3,6 kg
P250			1,2 kg	2,4 kg	3,6 kg	4,8 kg

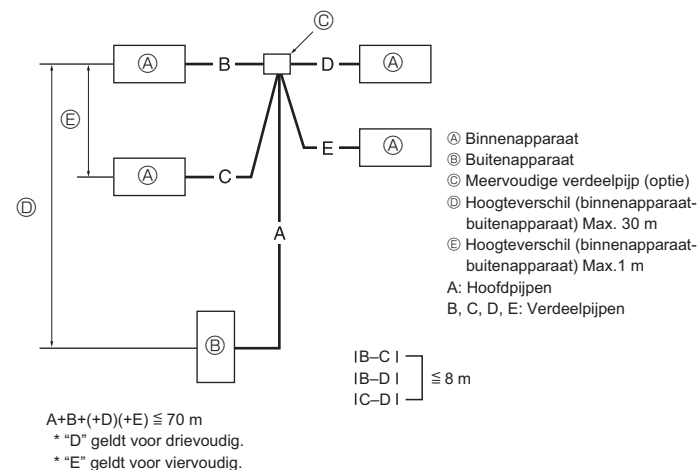


Fig. 4-9

4.7. Voor twee-/drie-/viervoudige combinaties (Fig. 4-9)

- Indien dit apparaat wordt gebruikt als een MULTI-SPLIT-apparaat, brengt u de koelvloeistofpijpen aan met de beperkingen zoals aangegeven in de linkerafbeelding. Indien de beperkingen worden overschreden, of als er combinaties van binnen- en buitenapparaten zijn, verwijzen wij u voor installatiedetails naar de installatieaanwijzingen voor het binnenapparaat.

Buitenapparaat	Toegestane totale pijplengte A+B+C+D+E	Pijplengte zonder vulling A+B+C+D+E
P200 P250	70 m of minder	30 m of minder

Buitenapparaat	B-C of B-D of B-E of C-D of C-E of D-E	Aantal bochten
P200 P250	8 m of minder	Maximaal 15

5. Installatie van Draineerbuizen

Aansluiting van de draineerleidingen van het buitenapparaat

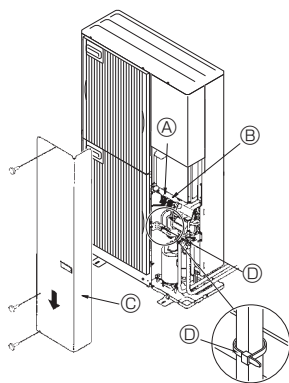
Wanneer een afvoerleiding benodigd is, moet u een aftapbus of een afvoervat (optioneel) gebruiken.

Aftapbus	PAC-SG61DS-E
Afvoervat	PAC-SG64DP-E

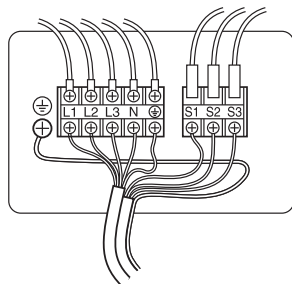
6. Elektrische aansluitingen

6.1. Buitenapparaat (Fig. 6-1, Fig. 6-2)

- Verwijder het onderhoudspaneel.
- Sluit de kabels aan aan de hand van afb. 6-1 en 6-2.



Opmerking:
Als tijdens onderhoud de beschermende laag voor de elektrische kast is verwijderd, dient u deze weer aan te brengen.



- (A) Aansluitblok voeding (L1, L2, L3, N, ⊕)
- (B) Aansluitblok binnen-buitenverbinding (S1, S2, S3)
- (C) Onderhoudspaneel
- (D) Klem

* Klem de kabels zo vast dat deze geen contact maken met het midden van het onderhoudspaneel of de gaskraan.

⚠ Voorzichtig:

Zorg dat u de N-Line installeert. Zonder N-Line, kan het toestel beschadigd raken

* Uitgezonderd PEA-RP200, 250, 400, 500GA

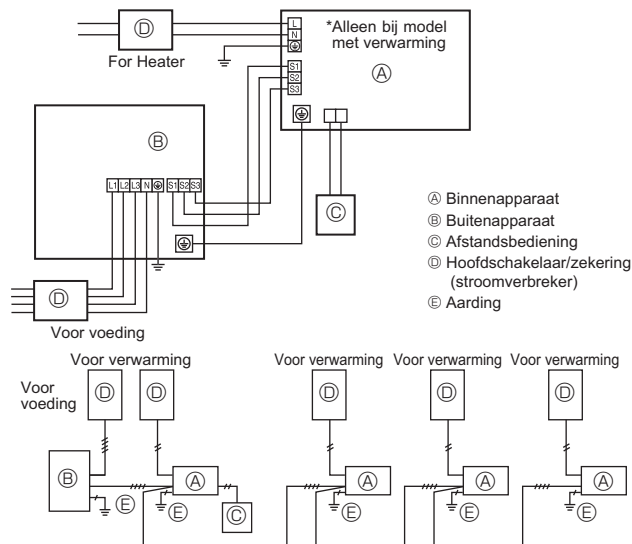
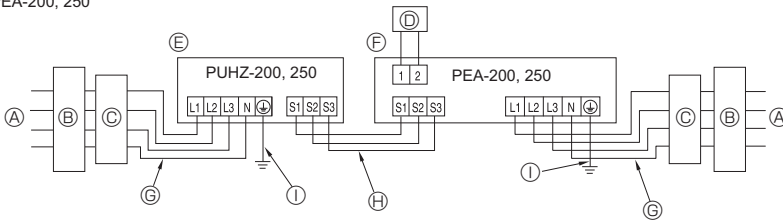


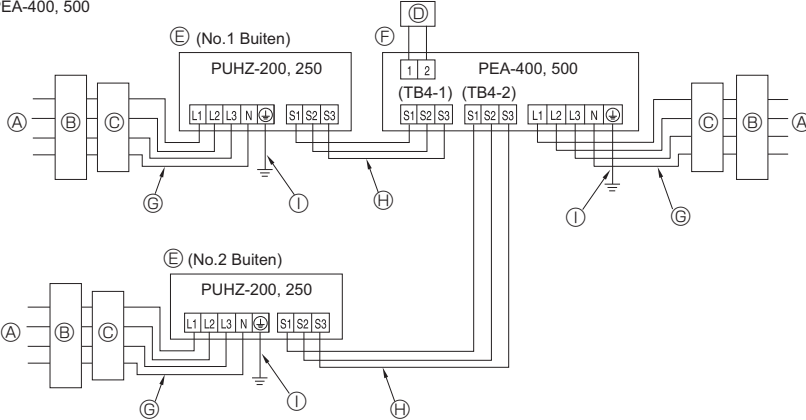
Fig. 6-1

6. Elektrische aansluitingen

* Bij PEA-200, 250

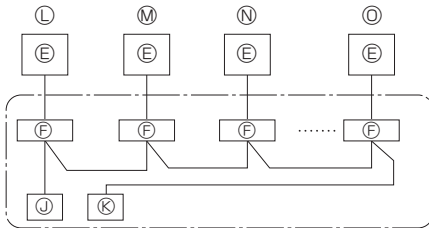


* Bij PEA-400, 500



- Ⓐ Voeding
- Ⓑ Aardlekschakelaar
- Ⓒ Stroomonderbrekers of lokale schakelaar
- Ⓓ LCD-afstandsbediening
- Ⓔ Buitenapparaat
- Ⓕ Binnenapparaat
- Ⓖ Kabels voedingseenheid
- Ⓗ Verbindingskabels binnen-/buitenunit
- Ⓘ Aarde
- Ⓚ Hoofdafstandsbediening
- Ⓛ Nevenafstandsbediening
- Ⓜ Standaard (Koeleradres = 00)
- Ⓝ Koeleradres = 01
- Ⓟ Koeleradres = 02
- Ⓠ Koeleradres = 03
- Ⓡ Koeleradres = 14
- Ⓢ Koeleradres = 15

* Bij PEA-200, 250



* Bij PEA-400, 500

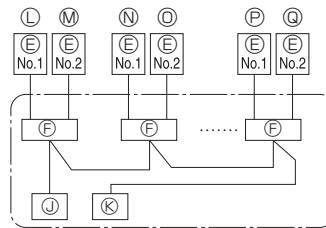


Fig. 6-2

6.2. Elektrische bedrading op de plaats van installatie

Model buitenunit		P200, 250
Buitenapparaat	Fase	3N~(3 fasen, 4 draden), 50 Hz,
Voeding	Frequentie en voltage	400 V
Ingangsvormen buitenunit	Hoofdschakelaar (stroomverbreker)	*1 32 A
Bedrading Aantal draden × dikte in (mm ²)	Buitenapparaat voeding	5 × Min. 4
	Binnenapparaat-Buitenapparaat	*2 Kabellengte 50 m : 3 × 4 (Polariteit)/Kabellengte 80 m : 3 × 6 (Polariteit)
	Aarde voor verbindingskabel tussen binnenunit/buitenunit	1 × Min. 2,5
Nominale vermogen stroomkring	Aansluitkabel tussen afstandsbediening en binnenapparaat	*3 2 × 0,3 (Geen polariteit)
	Buitenapparaat L1-N, L2-N, L3-N	AC 230 V
	Binnenapparaat-Buitenapparaat S1-S2	*4 AC 230 V
	Binnenapparaat-Buitenapparaat S2-S3	*4 DC 24 V
	Aansluitkabel tussen afstandsbediening en binnenapparaat	*4 DC 12 V

*1. Gebruik een aardlekschakelaar (NV) met een contactopening van minimaal 3 mm per pool.

*2. Max. 80 m. De totale maximumlengte, inclusief alle verbindingen met binnen/ binnenunits is 80 m.

• Gebruik één kabel voor S1 en S2 en een andere voor S3 zoals aangegeven in de afbeelding.

• Max. 50 m. De totale maximumlengte van PEA is 50 m. De afmeting van de bedrading is 3 x 1,5 (Polariteit).

*3. De afstandsbediening is voorzien van een kabel van 10 m.

*4. De spanning is NIET van toepassing bij de aarding. S3-terminal heeft 24 V DC in tegenstelling tot S2-terminal. Tussen S3 en S1 zijn deze terminals niet elektrisch geïsoleerd door de transformator of een ander apparaat.

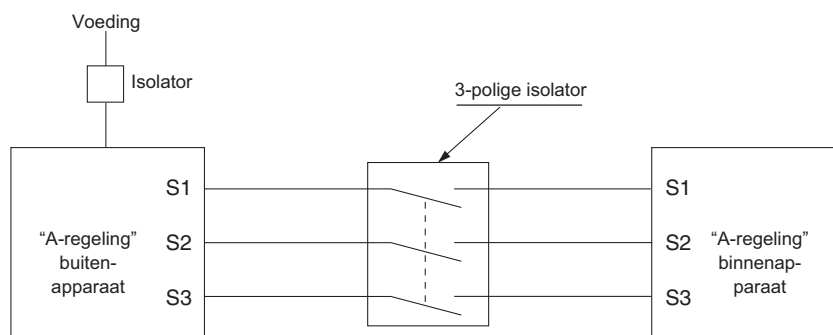


Opmerkingen: 1. De afmeting van de bedrading moet voldoen aan de van toepassing zijnde lokale en nationale norm.

2. De voedingskabels en de verbindingskabels van de binnen- en buitenapparaten mogen niet lichter zijn dan met polychloropreen bekleede flexikabels. (Ontwerp 60245 IEC 57)

3. Zorg ervoor dat de aardedraad langer is dan de andere draden, zodat deze niet los kan komen indien de kabel onder mechanische spanning komt te staan.

Vorkom rookvorming, brand en communicatiestoringen en splits derhalve de voedingskabel en de kabel tussen het binnen- en buitenapparaat niet.







6. Elektrische aansluitingen

⚠ Waarschuwing:

Bij het aansluiten van A-control dient u er rekening mee te houden dat er een hoge spanning op aansluiting S3 staat. Dit komt door het ontwerp van het elektrische circuit, dat geen elektrische scheiding kent tussen de leiding van de krachtstroom en de leiding van het communicatiesignaal. Zet daarom de hoofdschakelaar uit als u onderhoud wilt uitvoeren. En raak de aansluitingen S1, S2 en S3 niet aan bij ingeschakelde spanning. Als u tussen het binnen- en buitenapparaat een scheider wilt toepassen, gebruik dan een scheider van het 3-polige type.

AANSLUITGEGEVENS VOOR 220-240 V 50 Hz (AANSLUITKABEL BINNEN-BUITEN)

Doorsnede kabel	Aderdoorsnede (mm ²)	Aantal aders	Polariteit	L (m)*6
Rond 	2,5	3	Rechtsom : S1-S2-S3 * Let op geel-groen-gestreepte ader	(30) *2
Vlak 	2,5	3	Niet van toepassing (Omdat de middelste ader geen afscherming heeft)	Niet van toepassing *5
Vlak 	1,5	4	Van links naar rechts : S1-Open-S2-S3	(18) *3
Rond 	2,5	4	Rechtsom : S1-S2-S3-Open * Sluit S1 en S3 aan op tegenoverliggende aders	(30) *4

*1 : De voedingskabels van de apparatuur mogen niet dunner zijn dan volgens ontwerp 60245 IEC of 227 IEC.

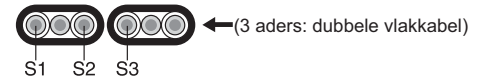
*2 : Bij kabel met geel-groene ader.

*3 : Bij aansluiting volgens normale polariteit (S1-S2-S3) bedraagt de aderdiameter 1,5 mm².

*4 : Bij aansluiting volgens normale polariteit (S1-S2-S3).

*5 : Indien de vlakke kabels volgens de afbeelding zijn aangesloten, mogen ze 30 m lang zijn.

*6 : De genoemde kabellengte is een richtwaarde. Deze kan afwijken, afhankelijk van de installatieomstandigheden, materiaalvochtigheid, enz.



Zorg ervoor dat de verbindende kabels voor het binnen-buitenapparaat altijd direct met de eenheden verbonden zijn (geen tussentijdse verbindingen). Tussentijdse verbindingen kunnen leiden tot communicatiefouten in geval van water in de kabels en onvoldoende isolatie met de grond veroorzaken of tot een slecht elektrisch contact bij het tussentijdse verbindingpunt.

7. Proefdraaien

7.1. Voordat u gaat proefdraaien

► Controleer nadat u de binnen-en buitenapparaten, inclusief pijpen en bedrading, volledig heeft geïnstalleerd het geheel op lekken van koelstof, losse elektrische contacten in voeding of besturingsbedrading en polariteit en controleer of er geen verbrekking van een fase in de voeding is.

► Controleer met behulp van een megohmmeter van 500 volt of de weerstand tussen de netspanningsaansluitpunten en de aarde minimaal 1,0 MΩ bedraagt.

► Voer deze test niet uit op de aansluitpunten van de besturingsbedrading (laagspanningscircuit).

⚠ Waarschuwing:

U mag de airconditioner niet gebruiken als de isolatieweerstand minder dan 1,0 MΩ bedraagt.

Isolatieweerstand

Na de installatie of nadat de voeding van het apparaat langere tijd is uitgeschakeld, daalt de isolatieweerstand tot onder 1 MΩ door de ophoping van koelstof in de compressor. Dit is geen storing. Volg de onderstaande procedures.

- Haal de bedrading van de compressor los en meet vervolgens de isolatieweerstand van de compressor.
- Als de isolatieweerstand lager is dan 1 MΩ, is de compressor defect of is de weerstand gedaald door de ophoping van koelstof in de compressor.
- Sluit de bedrading van de compressor weer aan en schakel de voeding in. De compressor zal nu beginnen met warmdraaien. Meet de isolatieweerstand opnieuw nadat de voeding gedurende de hieronder aangegeven periode is ingeschakeld.

- De isolatieweerstand daalt door de ophoping van koelstof in de compressor. De weerstand stijgt tot boven 1 MΩ nadat de compressor 4 uur heeft warmgedraaid. (De tijd die de compressor nodig heeft om warm te draaien varieert afhankelijk van de atmosferische omstandigheden en de ophoping van koelstof.)
 - Bij ophoping van koelstof in de compressor moet deze voor gebruik ten minste 12 uur warmdraaien om storingen te voorkomen.
4. Als de isolatieweerstand stijgt tot boven 1 MΩ, is de compressor niet defect.

⚠ Voorzichtig:

- De compressor werkt uitsluitend als de fase-aansluiting van de netspanning correct is.
- Zet de netspanningschakelaar ruim twaalf uur voordat u de airconditioner gaat gebruiken aan.

- Als u het apparaat meteen nadat u de netschakelaar heeft omgedraaid aanzet, kunnen de interne onderdelen ernstig beschadigd worden. Gedurende het seizoen waarin u het apparaat gebruikt, moet u de netschakelaar altijd aan laten staan.

► Controleer ook het volgende.

- Het buitenapparaat is niet defect. LED1 en LED2 op het bedieningspaneel van het buitenapparaat knipperen als het apparaat defect is.
- Zowel de gas- als vloeistofafsluitkraan staan volledig open.
- Het DIP-schakelaarpaneel op het bedieningspaneel van het buitenapparaat is voorzien van een beschermplaatje. Verwijder het beschermplaatje om de DIP-schakelaars eenvoudig te kunnen bedienen.

7.2. Proefdraaien

7.2.1. Met SW4 in het buitenapparaat

SW4-1	ON/AAN	Koelen
SW4-2	OFF/UIT	
SW4-1	ON/AAN	Verwarmen
SW4-2	ON/AAN	

* Nadat u het apparaat heeft laten proefdraaien, zet u SW4-1 op OFF/UIT.

- Als de voeding wordt ingeschakeld, kan een zacht klikgeluid hoorbaar zijn in het buitenapparaat. Dit is de elektronische expansieklep die open en dicht gaat. Het apparaat is niet defect.

- Enkele seconden nadat de compressor is gestart kan een metalig geluid hoorbaar zijn in het binnenapparaat. Dit geluid is afkomstig van de keerklep en wordt veroorzaakt door het kleine drukverschil binnen de pijpen. Het apparaat is niet defect.

De proefdraaimodus kan tijdens het proefdraaien niet worden gewijzigd door middel van DIP-schakelaar SW4-2. (Als u de proefdraaimodus tijdens het proefdraaien wilt wijzigen, zet het proefdraaien dan stop met DIP-schakelaar SW4-1. Wijzig vervolgens de proefdraaimodus en hervat het proefdraaien met schakelaar SW4-1.)

7.2.2. Afstandsbediening gebruiken

Zie installatiehandleiding binnenapparaat.

8. Speciale functies

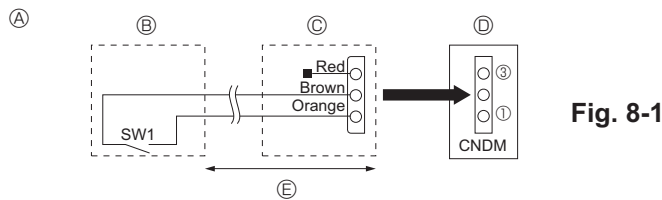


Fig. 8-1

- A Voorbeeld van elektrisch schema (stille werking)
 B Indeling ter plaatse
 C Externe invoeradapter (PAC-SC36NA)
 D Bedieningspaneel buitenapparaat
 E Max. 10 m

8.1. Stille werking (wijziging ter plaatse) (Fig. 8-1)

Door middel van de volgende aanpassing kan het geluid van het buitenapparaat met ongeveer 3-4 dB worden teruggebracht.

De stille werking kan worden geactiveerd door installatie van een in de handel verkrijgbare timer of het omzetten van een ON/OFF-schakelaar op de CNDM-stekker (afzonderlijk verkrijgbaar) op het bedieningspaneel van het buitenapparaat.

- Het resultaat varieert afhankelijk van de buitentemperatuur, weersomstandigheden etc.
- 1 Breidt het circuit uit zoals afgebeeld bij gebruik van de externe invoeradapter (PAC-SC36NA). (Afzonderlijk verkrijgbaar)
- 2 SW1 op ON: Stille werking
SW1 op OFF: Normale werking

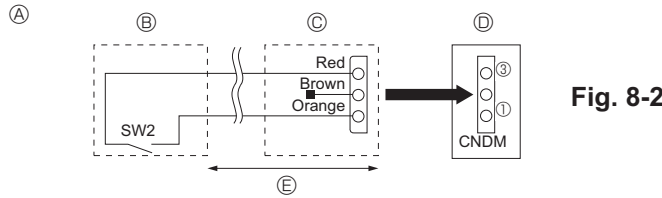


Fig. 8-2

- A Voorbeeld van elektrisch schema (Vraagfunctie)
 B Indeling ter plaatse
 C Externe invoeradapter (PAC-SC36NA)
 D Bedieningspaneel buitenapparaat
 E Max. 10 m

8.2. Vraagfunctie (wijziging ter plaatse) (Fig. 8-2)

Door de volgende wijziging uit te voeren, kan het energieverbruik worden teruggebracht met 0-100% van het normale verbruik.

De vraag-functie kan worden geactiveerd door installatie van een in de handel verkrijgbare timer of het omzetten van een ON/OFF-schakelaar op de CNDM-stekker (afzonderlijk verkrijgbaar) op het bedieningspaneel van het buitenapparaat.

- 1 Breidt het circuit uit zoals afgebeeld bij gebruik van de externe invoeradapter (PAC-SC36NA). (Afzonderlijk verkrijgbaar)
- 2 Door het omzetten van de schakelaars SW7-1 en SW7-2 op het bedieningspaneel van het buitenapparaat, kan het energieverbruik met de volgende percentages worden beperkt (in vergelijking met het normale verbruik):

SW7-1	SW7-2	Energieverbruik (SW2 ON)
OFF	OFF	0% (Stop)
ON	OFF	50%
OFF	ON	75%

8.3. Terugwinnen van de koelstof (leegpompen)

Volg de onderstaande procedures voor het terugwinnen van de koelstof bij verplaatsing van het binnen- of buitenapparaat.

- Elektrische voeding (stroomonderbreker).
 - Controleer als de voeding is ingeschakeld of "CENTRALLY CONTROLLED" wordt weergegeven op de afstandsbediening. Als "CENTRALLY CONTROLLED" wordt weergegeven, kan de koelstof niet op normale wijze worden teruggewonnen.
 - Ongeveer 3 minuten na het inschakelen van de voeding (netschakelaar) wordt de communicatie tussen de binnen- en buitenapparaat gestart. Start het leegpompen 3 tot 4 minuten na het inschakelen van de voeding (netschakelaar).
- Zet na het sluiten van de vloeistofafsluitkraan de SWP-schakelaar op het bedieningspaneel van het buitenapparaat op ON. De compressor (buitenapparaat) en ventilators (binnen- en buitenapparaat) slaat aan en het terugwinnen van de koelstof begint. LED1 en LED2 op het bedieningspaneel van het buitenapparaat branden.
 - Zet de SWP-schakelaar (drukknop) alleen op ON als het apparaat stopt. Zelfs als het apparaat stopt en de SWP-schakelaar op ON wordt gezet binnen 3 minuten nadat de compressor is gestopt, kan het terugwinnen van de koelstof niet worden uitgevoerd. Wacht tot de compressor 3 minuten is gestopt en zet vervolgens de SWP-schakelaar weer op ON.

- Sluit de gasafsluitkraan omdat het apparaat, nadat het opvangen van koelmiddel is voltooid (LED1 uit, LED2 brandt), binnen ongeveer 2 tot 3 minuten automatisch stopt. Als LED1 brandt en LED2 uit is en de buitenapparaat gestopt is, wordt het koelmiddel niet goed opgevangen. Open de vloeistofafsluitkraan volledig en herhaal stap 2 na 3 minuten.

* Als het opvangen van het koelmiddel normaal voltooid is (LED1 uit, LED2 brandt), blijft het apparaat gestopt tot de voeding is uitgeschakeld.

- Schakel de elektrische voeding uit (stroomonderbreker).

* Houd er rekening mee dat leegpompen misschien niet kan als de verlengstukken erg lang zijn en er grote hoeveelheden koelmiddel in de verlengstukken zit. Bij het uitvoeren van de pompafschakelprocedure dient u erop te letten dat de lage druk verlaagd wordt naar bijna 0 MPa (meterstand).

⚠ Waarschuwing:

Als u het koelmiddel uit het apparaat pompt, zet de compressor dan uit voordat u de koelmiddelleidingen losmaakt. De compressor kan barsten als er lucht etc. in komt.

9. Het systeem controleren (Fig. 9-1)

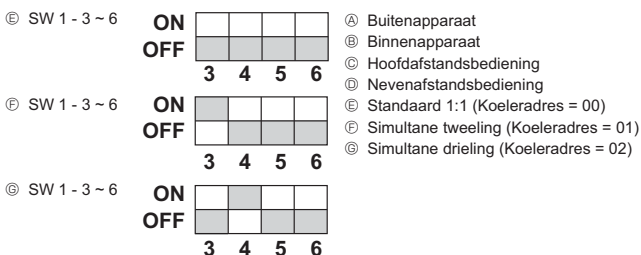


Fig. 9-1

* Stel het koeladres in met de minischakelaar van het buitenapparaat.

1 Draden vanaf de afstandsbediening
Deze draad wordt bevestigd aan TB5 (aansluitpaneel van de afstandsbediening) van het binnenapparaat (niet polair).

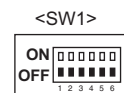
2 Als een andere koelsysteemgroepering wordt gebruikt.

Met de dunne MA afstandsbediening kunnen tot 16 koelsystemen als één groep worden bediend.

Opmerking:

Bij een enkelvoudig koelsysteem (tweeling/drieling), hoeft geen overdrachtskabel te worden aangelegd 2.

SW1
Functietabel



Functie	Functie	Bedrijf in overeenstemming met de schakelaarinstelling	
		ON	OFF
1	Gedwongen ontdooien	Start	Normal
2	Fouthistorie gewist	Clear	Normal
3	Adresinstelling	Adresinstellingen voor de buitenapparaten 0 t/m 15	
4	koelsysteem		
5			
6			

Contenido

1. Medidas de seguridad	38	6. Trabajo eléctrico	43
2. Lugar en que se instalará	39	7. Prueba de funcionamiento	45
3. Instalación de la unidad exterior	40	8. Funciones especiales	46
4. Instalación de los tubos del refrigerante	41	9. Sistema de control (Fig. 9-1)	46
5. Tubería de drenaje	43		

1. Medidas de seguridad

- ▶ Antes de instalar la unidad, asegúrese de haber leído el capítulo de “Medidas de seguridad”.
- ▶ Antes de conectar el sistema, informe al servicio de suministro o pídale permiso para efectuar la conexión.
- ▶ “Este equipo cumple la norma IEC 61000-3-12 siempre que la corriente de cortocircuito (S_{sc}) de potencia de cortocircuito sea mayor o igual que la $S_{sc} (*1)$ en el punto de interfaz entre la alimentación del usuario y el sistema público. Es responsabilidad del instalador o usuario del equipo garantizar, consultando al operador de la red de distribución si fuera necesario, que el equipo se conectará únicamente a una fuente de alimentación con S_{sc} mayor o igual que la $S_{sc} (*1)$ ”

$S_{sc} (*1)$	Modelo	S_{sc} (MVA)
	PUHZ-P200	1.35
	PUHZ-P250	1.49

⚠ Atención:
Describe las precauciones que deben tenerse en cuenta para evitar el riesgo de lesiones o muerte del usuario.

⚠ Cuidado:
Describe las precauciones que deben tenerse en cuenta para evitar daños en la unidad.

Después de terminar la instalación, explique las “Medidas de seguridad”, funcionamiento y mantenimiento de la unidad al cliente según el Manual de instrucciones y realice una prueba para asegurarse de que funciona correctamente. Entregue una copia del Manual de instalación y del Manual de instrucciones al usuario. Estos manuales deben pasar a usuarios posteriores del equipo.

⚡ : Indica una pieza que debe estar conectada a tierra.

⚠ Atención:
Lea atentamente las etiquetas adheridas a la unidad principal.

⚠ Atención:

- El usuario no debe instalar la unidad. La instalación del aire acondicionado debe correr a cargo del distribuidor o técnico autorizado. La instalación incorrecta de la unidad puede provocar escapes de agua, descargas eléctricas o incendios.
- Para la instalación, siga las instrucciones del Manual de instalación y utilice las herramientas y piezas de fontanería específicamente diseñados para utilizar con el refrigerante R410A. El refrigerante R410A en el sistema de HFC puede asimilar una presión 1,6 veces superior a la de los refrigerantes convencionales. Si los accesorios de fontanería que se instalan no están fabricados para el refrigerante R410A, los tubos se pueden quemar y causar daños o lesiones. Además, pueden producirse escapes de agua, descargas eléctricas o incendios.
- La unidad debe instalarse según las instrucciones para reducir posibles daños en caso de terremoto, huracán o vientos fuertes. Si no se instala correctamente, la unidad podría caerse y provocar daños o lesiones.
- La unidad debe instalarse firmemente sobre una estructura capaz de soportar su peso. Si la unidad se instala sobre una estructura inestable, podría caerse y provocar daños o lesiones.
- Si el equipo de aire acondicionado se instala en una sala pequeña deberán tomarse medidas para prevenir que la concentración de refrigerante exceda los límites de seguridad en caso de fugas. Pregunte a un distribuidor por las medidas adecuadas para evitar que la concentración exceda los límites. Si se produce una fuga de refrigerante que sobrepase los límites de concentración, la estancia en la sala puede ser peligrosa por falta de oxígeno.
- Si se produce una fuga de refrigerante durante el funcionamiento, ventile la sala. Si el refrigerante entra en contacto con una llama, se desprenderán gases nocivos.
- Todas las conexiones eléctricas deberán ser realizadas por un técnico cualificado según la normativa local y las instrucciones de este manual. Cada unidad debe tener su línea eléctrica y se deben usar disyuntores y un voltaje correcto. El uso de líneas eléctricas con una capacidad insuficiente o una conexión eléctrica incorrecta puede provocar descargas eléctricas o incendios.
- Utilice tubos de cobre fosforoso del tipo C1220 y tubos de aleación de cobre sin costuras para conectar los tubos del refrigerante. Si los tubos no se conectan correctamente, la unidad no estará bien puesta a tierra y puede provocar descargas eléctricas.

- Utilice solo cables especificados para el cableado. Las conexiones del cableado se deben realizar con seguridad sin que se ejerza tensión en las conexiones de los terminales. Asimismo, no empalme nunca los cables al realizar el cableado (a menos que se indique lo contrario en este documento). El hecho de no seguir estas instrucciones puede provocar un sobrecalentamiento o un incendio.
- La cubierta del bloque de terminales de la unidad exterior tiene que estar bien sujeta. Si la cubierta no se instala correctamente y el polvo y la humedad entran en la unidad, se pueden producir una descarga eléctrica o un incendio.
- Cuando instale, mueva o revise el equipo de aire acondicionado, utilice solo el refrigerante indicado (R410A) para cargar los tubos del refrigerante. No lo mezcle con otro tipo de refrigerante y vacíe completamente de aire los tubos. Si el aire se mezcla con el refrigerante, podría producir una tensión anormalmente alta en el tubo del refrigerante y ocasionar una explosión u otros peligros. Usar un refrigerante distinto al indicado para el sistema provocará un fallo mecánico, un funcionamiento defectuoso del sistema o la avería de la unidad. En el peor de los casos, podría suponer un grave impedimento para garantizar la seguridad del producto.
- Utilice sólo accesorios autorizados por Mitsubishi Electric y pida a su distribuidor o a un técnico autorizado que se los instale. Si los accesorios no se instalan correctamente, pueden producirse escapes de agua, descargas eléctricas o incendios.
- No modifique la unidad. Para las reparaciones, acuda a su distribuidor. Si las modificaciones o las reparaciones no se realizan correctamente, pueden producirse escapes de agua, descargas eléctricas o incendios.
- El usuario nunca debe intentar reparar la unidad o moverla de sitio. Si la unidad no se instala correctamente, pueden producirse escapes de agua, descargas eléctricas o incendios. Si debe reparar o mover el equipo de aire acondicionado, acuda a su distribuidor o técnico autorizado.
- Tras haber realizado la instalación, compruebe si hay fugas de refrigerante. Si en caso de fuga el refrigerante entra en contacto con las llamas de un calentador o de un equipo de cocina portátil, se desprenderán gases nocivos.

1.1. Cuestiones previas a la instalación

⚠ Cuidado:

- No utilice la unidad en un ambiente enrarecido. Este aire acondicionado no se puede instalar en áreas expuestas a vapor, aceite esencial (incluyendo el aceite para máquinas) o al humo sulfúrico, ni en áreas con alto contenido en sal, como playas, o en zonas donde la nieve pueda cubrir la unidad, ya que pueden reducir significativamente su rendimiento y dañar las piezas internas.
- No instale la unidad donde se puedan verter, producir, circular o acumular gases inflamables. Si se acumula gas inflamable en zonas próximas a la unidad, se podría producir un incendio o una explosión.
- La unidad exterior produce condensación cuando funciona como calefacción. Asegúrese de habilitar drenaje alrededor de la unidad exterior si la condensación puede provocar daños.

- Si instala la unidad en un hospital o en un centro de comunicaciones, recuerde que la unidad produce ruidos e interferencias electrónicas. Los conmutadores, aparatos domésticos, equipos médicos de alta frecuencia y las comunicaciones de radio pueden provocar un mal funcionamiento o la avería del equipo de aire acondicionado. El equipo de aire acondicionado también puede afectar los equipos médicos e interrumpir los cuidados médicos, así como los equipos de comunicación y dañar la calidad de la pantalla.

1.2. Cuestiones previas a la instalación (reubicación)

⚠ Cuidado:

- Extreme las precauciones al transportar o instalar las unidades. Se necesitan 2 o más personas para llevar la unidad porque pesa 20 kg o más. No la sujete por las bandas de embalaje. Utilice guantes protectores para sacar la unidad de la caja y para moverla, ya que se podría lastimar las manos con las aletas o con los bordes de alguna de las piezas.
- Guarde los embalajes en un lugar seguro. Los materiales de embalaje, como clavos y otras piezas de metal o de madera pueden producir pinchazos y otras lesiones.

- La base y los aditamentos de fijación de la unidad exterior deben comprobarse periódicamente para detectar posibles roturas, tuercas flojas o cualquier otro daño que hayan podido sufrir. Si no se solucionan esos problemas, la unidad podría caerse y causar daños o lesiones.
- No limpie con agua el equipo de aire acondicionado. Puede sufrir una descarga eléctrica.
- Apriete las tuercas de abocardado a los niveles recomendados mediante una llave dinamométrica. Si las aprieta demasiado, se pueden romper al cabo de un tiempo y producirse fugas de refrigerante.

1. Medidas de seguridad

1.3. Antes de la instalación eléctrica

⚠ Cuidado:

- Asegúrese de instalar disyuntores. Si no se instalan, se podrían producir descargas eléctricas.
- Use cables estándar de suficiente capacidad para las líneas eléctricas. Si no lo hace así, se podría producir un cortocircuito, un sobrecalentamiento o un incendio.
- Cuando instale las líneas eléctricas, los cables no deben tener corriente. Si las conexiones se aflojan, los cables se podrían cruzar o romper y se podría producir un incendio o un sobrecalentamiento.

- Asegúrese de instalar una toma de tierra. No conecte el cable de tierra a las tomas de tierra de las tuberías de gas o de agua, de postes de iluminación o de teléfono. Si la unidad no está bien conectada a la línea de tierra, se puede producir una descarga eléctrica.
- Utilice disyuntores (interruptor de falta de tierra, interruptor aislante (+fusible B) e interruptores en caja moldeada) con la potencia especificada. Si la potencia del interruptor es mayor que la especificada, puede ocurrir un incendio o una avería.

1.4. Antes de realizar las pruebas de funcionamiento

⚠ Cuidado:

- Conecte la corriente al menos 12 horas antes de que empiece a funcionar el equipo. Si se acciona inmediatamente después de haberlo conectado a la corriente, pueden producirse daños graves en las piezas internas. Mantenga la unidad conectada a la corriente durante la temporada de funcionamiento.
- Antes de que comience a funcionar el equipo, compruebe que todos los paneles y protectores están instalados correctamente. Las piezas giratorias, calientes o de alto voltaje pueden provocar lesiones.
- No toque ningún interruptor con las manos mojadas. Puede sufrir una descarga eléctrica.

- No toque la tubería del refrigerante sin guantes mientras durante el funcionamiento. La tubería del refrigerante está caliente o frío según las condiciones de la corriente de refrigerante. Si toca la tubería puede sufrir quemaduras por el calor o por el frío.
- Una vez deje de funcionar el aparato, espere cinco minutos antes de apagar el interruptor principal. De lo contrario, se puede producir un goteo de agua o una avería.

1.5. Utilización del refrigerante R410A para equipos de aire acondicionado

⚠ Cuidado:

- Utilice tuberías de refrigerante nuevas.
 - Tenga en cuenta lo siguiente si reutiliza tuberías que contenían refrigerante R22.
- Asegúrese de limpiar las tuberías y de que su interior está limpio.
- Sustituya las tuercas de abocardado existentes y vuelva a abocardar las secciones abocardadas.
- No use tuberías de poco grosor. (Consulte la sección 4.1.)
- Utilice tubos de cobre fosforoso del tipo C1220 y tubos de aleación de cobre sin costuras para conectar los tubos del refrigerante. Asegúrese de que el interior de las tuberías está limpio y que no contienen ningún contaminante dañino como compuestos sulfúricos, oxidantes, impurezas o polvo. Utilice tuberías con el grosor especificado. (Consulte la sección 4.1.)
- Almacene las tuberías que se deban instalar en el interior y mantenga los orificios tapados hasta el momento de instalarlas. (Deje las juntas articuladas y otras piezas en sus embalajes.) Si el polvo, los restos o la humedad entran en las tuberías de refrigeración, se puede producir el deterioro del aceite o una avería en el aparato.
- Utilice aceite de éster, de éter o alquilobenceno (en pequeñas cantidades) para recubrir las secciones abocardadas. Si se mezcla aceite mineral con aceite de refrigeración se puede deteriorar el aceite.

- No utilice otro refrigerante que no sea R410A. Si utiliza otro refrigerante, el cloro provocará el deterioro del aceite.
- Utilice una bomba de vacío con una válvula de retención. Si el aceite de dicha bomba fluye hacia atrás hasta las líneas del refrigerante, podría deteriorarse el aceite del refrigerante.
- Utilice las siguientes herramientas especialmente diseñadas para usar con el refrigerante R410A. Se necesitan las siguientes herramientas para utilizar el refrigerante R410A. Si tiene alguna duda, consulte con su distribuidor más cercano.

Herramientas (para R410A)	
Manómetro	Abocardador
Manguera de carga	Ajustador del tamaño
Detector de fugas de gas	Adaptador de la bomba de vacío
Llave dinamométrica	Báscula electrónica de carga del refrigerante

- Asegúrese de utilizar las herramientas adecuadas. Si el polvo, los restos o la humedad entran en las tuberías de refrigeración, se puede producir el deterioro del aceite de refrigeración.
- No utilice un cilindro de carga. Si utiliza un cilindro de carga, variará la composición del refrigerante y no será tan eficaz.

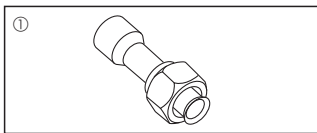


Fig. 1-1

1.6. Accesorios de la unidad exterior (Fig. 1-1)

Las piezas que se muestran en la figura de la izquierda son los accesorios de esta unidad, que están fijados en el interior del panel de servicio.

- ① Tubo de empalme.....x1

2. Lugar en que se instalará

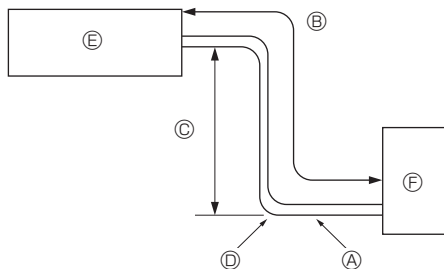


Fig. 2-1

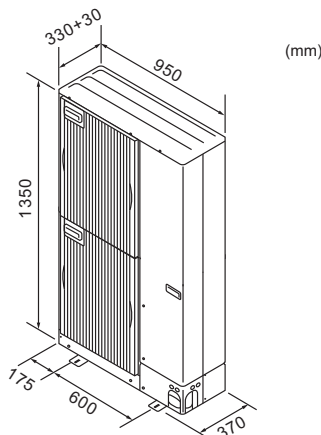


Fig. 2-2

2.1. Tubería de refrigerante (Fig. 2-1)

► Compruebe que la diferencia de altura entre las unidades interior y exterior, la longitud del tubo de refrigerante y la cantidad de codos en la tubería se encuentren dentro de los límites que se indican a continuación.

Modelo	A Tamaño de la tubería (mm)		B Longitud de las tuberías (un sentido)	C Diferencia de altura	D Número de codos (un sentido)
	Gaseite	Flüssigkeitseite			
P200	ø25,4	ø9,52	Max. 70 m	Max. 30 m	Max. of 15
P250	ø28,58	ø12,7	Max. 70 m	Max. 30 m	Max. of 15

- Las limitaciones de diferencia de altura son obligatorias sin importar qué unidad, la interior o la exterior, está colocada más alta.
- ① Unidad interior
- ② Unidad exterior

2.2. Elección del lugar de instalación de la unidad exterior

- No instale la unidad en lugares expuestos directamente al sol o a otras fuentes de calor.
- escoja un lugar donde el ruido de la unidad no moleste a los vecinos.
- escoja un lugar donde sea fácil instalar el cableado y las tuberías y acceder a la fuente de alimentación y a la unidad exterior.
- No instale la unidad donde se puedan verter, producir, circular o acumular gases inflamables.
- Durante el funcionamiento, la unidad puede perder agua.
- escoja un lugar nivelado que pueda soportar el peso y la vibración de la unidad.
- No instale la unidad en lugares donde la pueda cubrir la nieve. En zonas propensas a las nevadas intensas, se deben tomar medidas de precaución, como por ejemplo, situar la unidad elevada o instalar una protección en la entrada de aire para evitar que la nieve la obstruya o fluya directamente contra ésta. Esto reduce la corriente de aire e impide que la unidad funcione correctamente.
- No instale la unidad en lugares expuestos a aceite, vapor o humo sulfúrico.
- Utilice las asas de transporte de la unidad exterior para transportarla. Si transporta la unidad tomándola por la parte inferior se podría lesionar las manos o los dedos.

2.3. Dimensiones exteriores (Unidad exterior) (Fig. 2-2)

2. Lugar en que se instalará

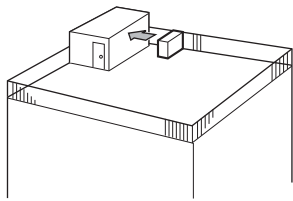


Fig. 2-3

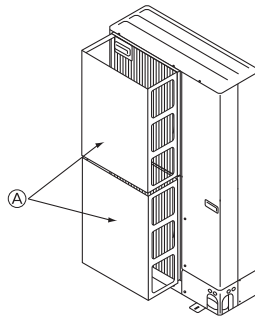


Fig. 2-4

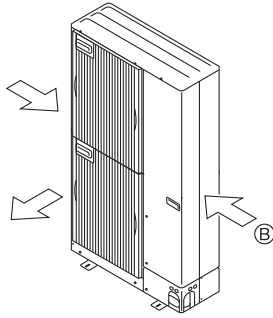


Fig. 2-5

2.4. Ventilación y espacio de servicio

2.4.1. Instalación en lugares expuestos al viento

Cuando instale una unidad en el tejado o en otros lugares desprotegidos del viento, la salida de aire de la unidad no debe quedar expuesta directamente al viento fuerte. Si el viento fuerte entra en la salida de aire puede impedir la circulación normal del aire y causar un mal funcionamiento.

A continuación se muestran tres ejemplos de precauciones a tomar contra el viento fuerte.

- ① Coloque la salida de aire de frente a la pared más próxima a una distancia de unos 50 cm de ella. (Fig. 2-3)
- ② Si la unidad está situada en un lugar expuesto a vientos fuertes como huracanes, etc. que puedan entrar en la salida de aire, coloque una guía opcional de aire. (Fig. 2-4)
 - Ⓐ Guía de aire
- ③ Coloque la unidad de manera que la salida de aire sople en dirección perpendicular a la dirección estacional del viento, si la conoce. (Fig. 2-5)
 - Ⓑ Dirección del viento

2.4.2. Cuando se instala una unidad exterior simple (Consulte la página anterior)

Las dimensiones mínimas son las siguientes, excepto para máx. (dimensiones máximas), las cuales también están indicadas.

Consulte los números correspondientes para cada caso.

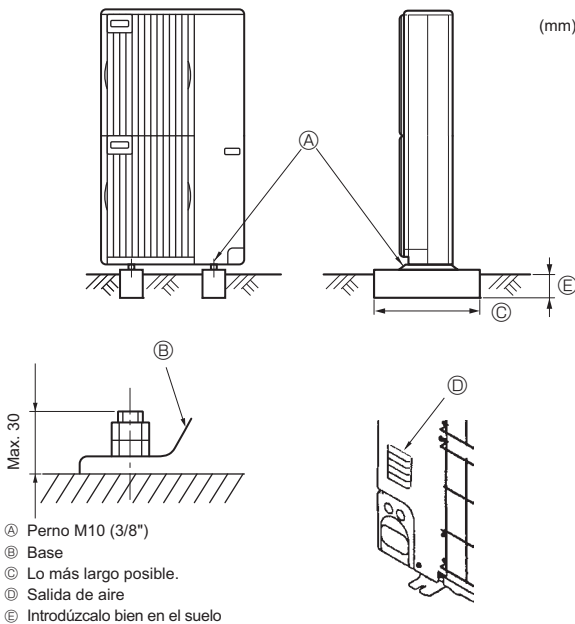
- ① Obstáculos sólo en la parte trasera (Fig. 2-6)
- ② Obstáculos sólo en la parte trasera y superior (Fig. 2-7)
- ③ Obstáculos sólo en la parte trasera y los laterales (Fig. 2-8)
- ④ Obstáculos sólo en la parte delantera (Fig. 2-9)
 - Si utiliza una guía para salida de aire opcional, el espacio libre debe ser de 500 mm o más.
- ⑤ Obstáculos sólo en la parte delantera y trasera (Fig. 2-10)
 - Si utiliza una guía para salida de aire opcional, el espacio libre debe ser de 500 mm o más.
- ⑥ Obstáculos sólo en la parte trasera, los laterales y superior (Fig. 2-11)
 - No utilice las guías para salida de aire opcionales para corriente de aire hacia arriba.

2.4.3. Cuando instale varias unidades exteriores (Consulte la página anterior)

Deje un espacio de 10 mm o más entre las unidades.

- ① Obstáculos sólo en la parte trasera (Fig. 2-12)
- ② Obstáculos sólo en la parte trasera y superior (Fig. 2-13)
 - No se deben instalar más de tres unidades correlativas. Además, se debe dejar el espacio indicado.
 - No utilice las guías para salida de aire opcionales para corriente de aire hacia arriba.
- ③ Obstáculos sólo en la parte delantera (Fig. 2-14)
 - Si utiliza una guía para salida de aire opcional, el espacio libre debe ser de 1000 mm o más.
- ④ Obstáculos sólo en la parte delantera y trasera (Fig. 2-15)
 - Si utiliza una guía para salida de aire opcional, el espacio libre debe ser de 1000 mm o más.
- ⑤ Disposición en paralelo de unidades simples (Fig. 2-16)
 - Si utiliza un guía para salida de aire opcional instalada para que el aire salga hacia arriba, el espacio libre debe ser de 1000 mm o más
- ⑥ Disposición en paralelo de varias unidades (Fig. 2-17)
 - Si utiliza un guía para salida de aire opcional instalada para que el aire salga hacia arriba, el espacio libre debe ser de 1500 mm o más.
- ⑦ Disposición de unidad apilada (Fig. 2-18)
 - Se pueden apilar hasta dos unidades de altura.
 - No se deben instalar más de dos unidades correlativas. Además, se debe dejar el espacio indicado.

3. Instalación de la unidad exterior



- Cerciérese de instalar la unidad en una superficie robusta y nivelada para evitar los ruidos de traqueteo durante la operación. (Fig. 3-1)

<Especificaciones de la cimentación>

Perno de cimentación	M10 (3/8")
Grosor del hormigón	120 mm
Longitud del perno	70 mm
Capacidad de soporte de peso	320 kg

- Cerciérese de que la longitud del perno de cimentación esté dentro de 30 mm de la superficie inferior de la base.
- Asegure firmemente la base de la unidad con cuatro pernos de cimentación M10 en lugares robustos.

Instalación de la unidad exterior

- No obstruya la salida de aire. Si se obstruye la salida de aire, se puede dificultar el funcionamiento del aparato y puede causar una avería.
- Además de la base de la unidad, utilice los orificios de instalación situados en la parte trasera de la unidad para añadirle cables u otros elementos necesarios para instalar la unidad. Utilice tirafondos (ø5 × 15 mm o menos) para instalar el equipo.

⚠ Atención:

- La unidad debe instalarse firmemente sobre una estructura capaz de soportar su peso. Si la unidad se instala sobre una estructura inestable, podría caerse y provocar daños o lesiones.
- La unidad debe instalarse según las instrucciones para reducir posibles daños en caso de terremoto, huracán o vientos fuertes. Si no se instala correctamente, la unidad podría caerse y provocar daños o lesiones.

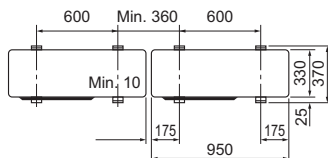


Fig. 3-1

4. Instalación de los tubos del refrigerante

4.1. Precauciones a tomar en equipos que utilicen el refrigerante R410A

- Consulte la sección 1.5. para las precauciones a tomar en equipos que utilicen el refrigerante R410A y que no se encuentren a continuación.
- Utilice aceite de éster, de éter o alquilobenceno (en pequeñas cantidades) para recubrir las secciones abocardadas.
- Utilice tubos de cobre fosforoso del tipo C1220 y tubos de aleación de cobre sin costuras para conectar los tubos del refrigerante. Utilice tuberías para refrigerante del grosor especificado en la tabla siguiente. Asegúrese de que el interior de las tuberías está limpio y que no contienen ningún contaminante nocivo como compuestos sulfúricos, oxidantes, restos o polvo.

Al soldar los tubos, realice siempre una soldadura no oxidante; de lo contrario, el compresor sufrirá daños.

⚠ Atención:

Cuando instale, mueva o revise el equipo de aire acondicionado, utilice solo el refrigerante indicado (R410A) para cargar los tubos del refrigerante. No lo mezcle con otro tipo de refrigerante y vacíe completamente de aire los tubos. Si el aire se mezcla con el refrigerante, podría producir una tensión anormalmente alta en el tubo del refrigerante y ocasionar una explosión u otros peligros.

Usar un refrigerante distinto al indicado para el sistema provocará un fallo mecánico, un funcionamiento defectuoso del sistema o la avería de la unidad. En el peor de los casos, podría suponer un grave impedimento para garantizar la seguridad del producto.

Tamaño de la tubería (mm)	ø6,35	ø9,52	ø12,7	ø15,88	ø19,05	ø22,2	ø25,4	ø28,58
Grosor (mm)	0,8	0,8	0,8	1,0	1,0	1,0	1,0	1,0

- No utilice tubos con un grosor menor del especificado a continuación.

4.2. Tubos de conexión

- Si se utilizan tubos de cobre convencionales, envuelva los tubos de gas y líquido con materiales aislantes (resistente al calor hasta 100 °C o más, espesor de 12 mm o más).
- Las piezas interiores del tubo de drenaje tienen que estar envueltas en materiales aislantes de espuma de polietileno (gravedad específica de 0,03 y espesor de 9 mm o más).
- Aplique una capa delgada de aceite refrigerante a la superficie tubo y de la junta de asiento antes de apretar la tuerca de abocardado. Ⓐ (Fig.4-1)
- Utilice dos llaves de apriete para apretar las conexiones de los tubos. ⓑ (Fig.4-1)
- Utilice un detector de fugas o agua jabonosa para comprobar posibles fugas de gas una vez realizadas las conexiones.
- Aplique aceite refrigerante para máquinas en toda la superficie abocinada. Ⓒ (Fig.4-1)
- Utilice las tuercas abocardadas para el siguiente tamaño de tubería. Ⓓ (Fig.4-1)

		RP50	RP60,71	RP100-140
Lado de gas	Tamaño de la tubería (mm)	ø12,7	ø15,88	ø15,88
Lado de líquido	Tamaño de la tubería (mm)	ø6,35	ø9,52	ø9,52

- Cuando doble los tubos, tenga cuidado de no romperlos. Un radio de curvatura de 100 mm a 150 mm es suficiente.
- Asegúrese de que las tuberías no tocan el compresor. Podría producir ruidos o vibraciones extrañas.

- Las tuberías se deben conectar empezando por la unidad interior. Las tuercas abocardadas se deben apretar con una llave dinamométrica.
- Caliente el tubo de líquido y el tubo de gas y aplique una fina capa de aceite de refrigeración (aplicado directamente).
- Cuando utilice un sellador de tubos normal, consulte la Tabla 1 para abocardar tuberías para refrigerante R410A. Para confirmar las medidas de B se puede utilizar el ajustador del tamaño.

Tabla 1 (Fig. 4-2)

Tubo de cobre O.D. (mm)	B (mm)	
	Herramienta abocinada para R410A	Herramienta abocinada para R22 · R407C
	Tipo gancho	
ø6,35 (1/4")	0 - 0,5	1,0 - 1,5
ø9,52 (3/8")	0 - 0,5	1,0 - 1,5
ø12,7 (1/2")	0 - 0,5	1,0 - 1,5
ø15,88 (5/8")	0 - 0,5	1,0 - 1,5
ø19,05 (3/4")	0 - 0,5	1,0 - 1,5

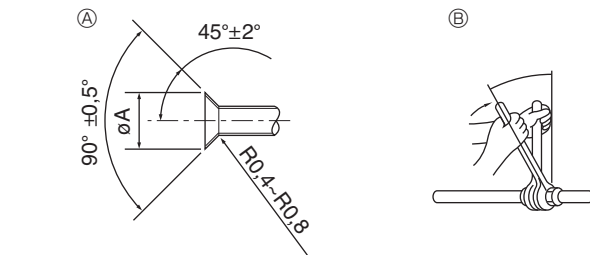
- Utilice el siguiente procedimientos para conectar el tubo del lado de gas. (Fig. 4-3)
 - Suelde el tubo de empalme Ⓒ suministrado a la unidad exterior utilizando materiales de soldadura adquiridos localmente y el tubo local Ⓓ sin oxígeno.
 - Conecte el tubo de empalme Ⓒ a la válvula de parada del lado de gas. Utilice dos llaves para apretar la tuerca abocardada.

* Si el orden se invierte, podrían producirse escapes de refrigerante por daños en la pieza provocados por la llama de soldadura.

- Para PEA-RP200, 250, 400, 500GA

El método de conexión de las tuberías es la soldadura.

		PEA-200	PEA-250	PEA-400	PEA-500
Lado de gas	Tamaño de la tubería (mm)	ø25,4 (o ø28,58)			
Lado de líquido	Tamaño de la tubería (mm)	ø9,52	ø12,7	ø9,52	ø12,7



Ⓐ Dimensiones del corte abocinado
Ⓑ Torsión de apriete de la tuerca abocardada

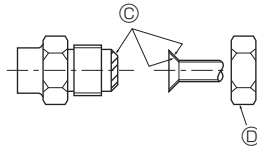


Fig. 4-1

Ⓐ (Fig. 4-1)

Tubo de cobre O.D. (mm)	Dimensiones de abocinado dimensiones øA (mm)
ø6,35	8,7 - 9,1
ø9,52	12,8 - 13,2
ø12,7	16,2 - 16,6
ø15,88	19,3 - 19,7
ø19,05	23,6 - 24,0

Ⓑ (Fig. 4-1)

Tubo de cobre O.D. (mm)	Tuerca de abocardado O.D. (mm)	Torsión de apriete (N·m)
ø6,35	17	14 - 18
ø6,35	22	34 - 42
ø9,52	22	34 - 42
ø12,7	26	49 - 61
ø12,7	29	68 - 82
ø15,88	29	68 - 82
ø15,88	36	100 - 120
ø19,05	36	100 - 120

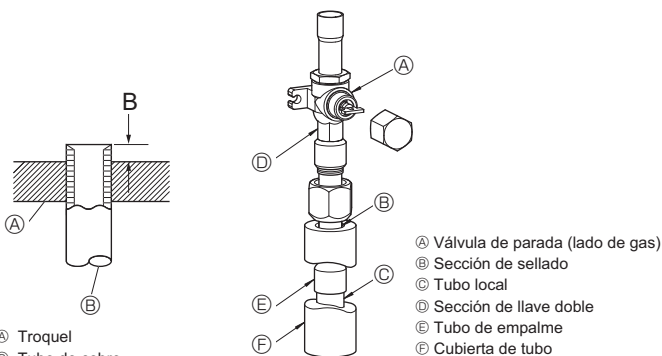


Fig. 4-2

Fig. 4-3

4. Instalación de los tubos del refrigerante

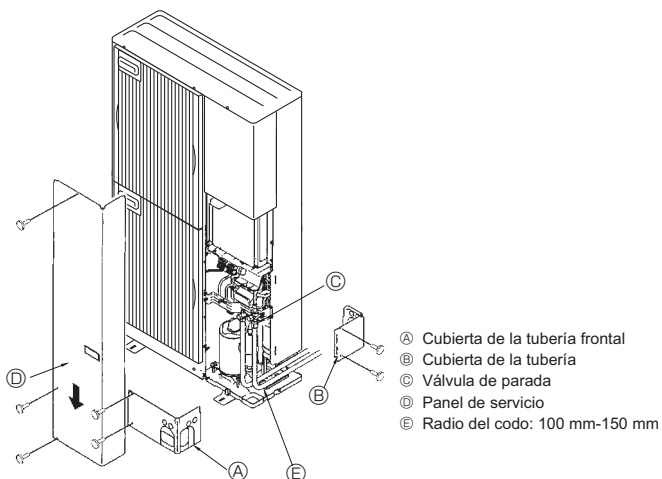


Fig. 4-4

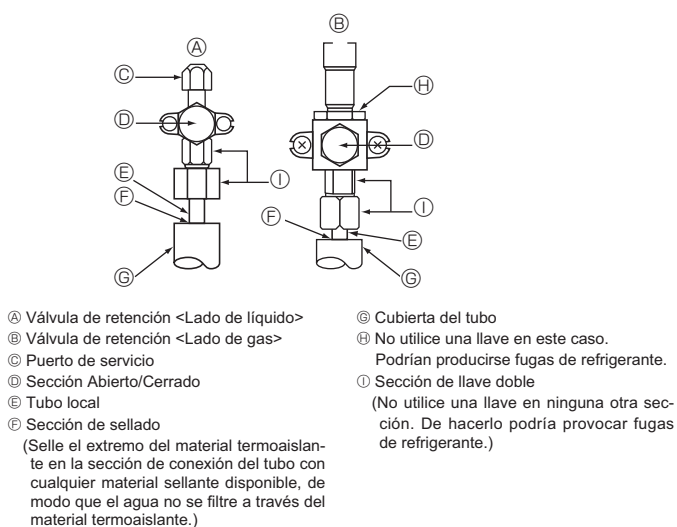


Fig. 4-5

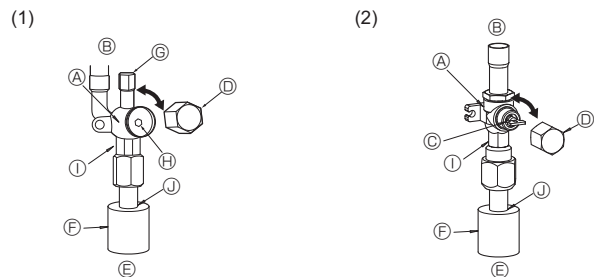


Fig. 4-6

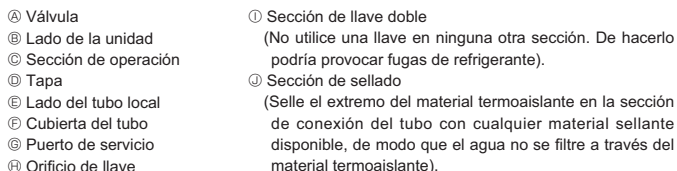


Fig. 4-7

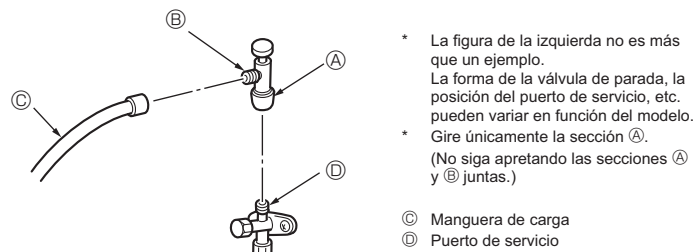


Fig. 4-7

4.3. Tubos de refrigerante (Fig. 4-4)

Quite el panel de servicio (D) (3 tornillos) y la cubierta de la tubería frontal (A) (2 tornillos) y cubierta de la tubería posterior (B) (2 tornillos).

- Realice las conexiones de los tubos de refrigerante de la unidad interior/exterior con la válvula de parada de la unidad exterior completamente cerrada.
- Purgue el aire del sistema por succión en la unidad interior y tubos de conexión.
- Tras conectar las tuberías de refrigerante con la unidad interior, compruebe que no haya fugas de gas. (Consulte apartado 4.4. Prueba de fuga de gas del tubo de refrigerante.)
- En el puerto de servicio de la válvula de parada se utiliza una bomba de vacío de alto rendimiento que permite mantener el vacío durante un tiempo adecuado (al menos 1 hora tras alcanzar -101 kPa (5 milímetros de mercurio)) para secar por vacío el interior de las tuberías. Siempre compruebe el grado de vacío en el manómetro. Si queda humedad en la tubería, en ciertos casos no se alcanzará el nivel de vacío aplicando vacío durante poco tiempo.

Tras el secado por vacío, abra completamente las válvulas de parada (tanto las de líquido como las de gas) de la unidad exterior. Esta operación le permitirá conectar completamente las líneas refrigerantes de las unidades interiores y exteriores.

- Si el secado por vacío es inadecuado, podría quedar aire y vapor de agua en los circuitos de refrigeración, lo que provocaría un aumento anómalo de la alta presión, una caída anómala de la baja presión, el deterioro del aceite de la máquina refrigerante debido a la humedad, etc.
 - Si deja cerradas las válvulas de parada y pone en marcha la unidad, el compresor y la válvula de control sufrirán daños.
 - Utilice un detector de fugas o jabón y agua para detectar las fugas de gas en las juntas de las conexiones de los tubos de la unidad exterior.
 - No utilice el refrigerante desde la unidad para purgar el aire de las líneas de refrigerante.
 - Tras haber realizado los trabajos en las válvulas, ajuste las tuercas de las válvulas a la presión adecuada: 20 a 25 N·m (200 a 250 kgf·cm). Si no sustituye o aprieta bien las tuercas puede provocar una fuga de refrigerante. Además, evite dañar el interior de las válvulas ya que funcionan como selladoras para evitar fugas de refrigerante.
- Utilice un sellador para proteger las conexiones de los tubos y los extremos del material aislante no se impregnen de agua.

4.4. Prueba de fuga de gas del tubo de refrigerante (Fig. 4-5)

- Conecte las herramientas para pruebas.
 - Asegúrese de que las válvulas de parada (A) (B) están cerradas y no las abra.
 - Añada refrigerante a las líneas de refrigerante a través del punto (C) para reparaciones de válvula de parada de líquido (A).
- No añada presión al nivel especificado de golpe; hágalo poco a poco.
 - Presurice a 0,5 MPa (5 kgf/cm²G), espere 5 minutos y compruebe que la presión no se ha reducido.
 - Presurice a 1,5 MPa (15 kgf/cm²G), espere 5 minutos y compruebe que la presión no se ha reducido.
 - Presurice a 4,15 MPa (41,5 kgf/cm²G) y tome la temperatura ambiental y la presión del refrigerante.
- Si la presión especificada se mantiene estable durante un día y no se reduce, las tuberías han pasado la prueba y no existe riesgo de fugas.
 - Si la temperatura ambiental cambia 1 °C, la presión variará unos 0,03 MPa (0,3 kgf/cm²G). Haga las correcciones necesarias.
- Si la presión se reduce en los pasos (2) o (3), hay una fuga de gas. Busque el punto de fuga del gas.

4.5. Método de apertura de la válvula de retención

El método de apertura de la válvula de retención varía según el modelo de unidad exterior. Utilice el método adecuado para abrir las válvulas de retención.

- Lado de líquido de la válvula de parada (Fig. 4-6)
 - Abra la tapa y gire la varilla de válvula hacia la izquierda hasta su tope, utilizando una llave hexagonal de 4 mm. Deje de girar cuando llega al tope. (Aproximadamente 10 revoluciones)
 - Cerchiórese de que la válvula de parada esté completamente abierta y enrosque la tapa en su posición original.
- Lado de gas de la válvula de parada (Fig. 4-7)
 - Abra la tapa, tire de la llave hacia usted y gírela 1/4 vuelta en sentido contrario a las agujas del reloj para abrirla.
 - Asegúrese de que la válvula de parada está completamente abierta, empuje la llave y vuelva a girar la tapa hasta su posición original.

Los tubos de refrigerante están protegidos por un envoltorio

- Los tubos se pueden envolver para su protección hasta un diámetro de $\varnothing 90$ antes de conectar los tubos. Corte la tapa del tubo siguiendo la guía y envuelva los tubos. Espacio de entrada de tubo
 - Utilice masilla de minio o un sellador para sellar el extremo del tubo alrededor del tubo para que no queden espacios vacíos. (Si no se tapan los vacíos, se puede producir ruido o puede entrar agua o polvo y la unidad se podría averiar.)

Precauciones al utilizar la válvula de carga (Fig. 4-8)

No apriete demasiado el puerto de servicio cuando lo instale, de lo contrario, el núcleo de la válvula podría deformarse y quedar suelto, provocando fugas de gas.

Tras situar la sección (B) en la dirección deseada, gire únicamente la sección (A) y apríetela.

No siga apretando las secciones (A) y (B) juntas tras apretar la sección (A)

⚠ Atención:

Al instalar la unidad, conecte firmemente las tuberías de refrigerante antes de poner en marcha el compresor.

4. Instalación de los tubos del refrigerante

4.6. Añadido de refrigerante

- No es necesario realizar una carga adicional si la longitud del tubo no excede 30 m.
 - Si se exceden estas longitudes, cargue la unidad con refrigerante R410A adicional según las longitudes del tubo permitidas en la siguiente tabla.
 - Con la unidad parada, cárguela con el refrigerante adicional a través de la válvula de parada de líquido después de haber aspirado los tubos y la unidad interior.
- Si la unidad está en marcha, añada refrigerante a la válvula de retención de gas con un cargador seguro. No añada refrigerante líquido directamente a la válvula de retención.

- Después de haber cargado la unidad con refrigerante, apunte la cantidad de refrigerante añadida en la etiqueta de mantenimiento (adjunta a la unidad). Para más información, consulte la sección "1.5.Utilización del refrigerante R410A para equipos de aire acondicionado".
- Tenga cuidado cuando instale varias unidades. Si conecta los tubos a una unidad interior incorrecta puede provocar una presión elevada anormal y ocasionar graves problemas al funcionamiento.

Modelo	Distancia de tubo permitida	Diferencia vertical permitida	Cantidad de carga de refrigerante adicional			
			31 - 40 m	41 - 50 m	51 - 60 m	61 - 70 m
P200	70 m	30 m	0,9 kg	1,8 kg	2,7 kg	3,6 kg
P250			1,2 kg	2,4 kg	3,6 kg	4,8 kg

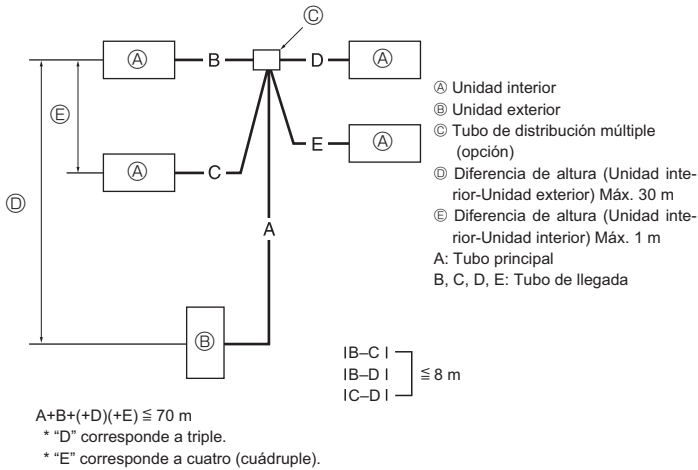


Fig. 4-9

4.7. Para combinación doble/triple/cuádruple (Fig. 4-9)

- Cuando esta unidad se utiliza como un sistema INDEPENDIENTE DE COMPONENTES MÚLTIPLES, instale los tubos de refrigeración con las restricciones que se indican en el diagrama de la izquierda. Además, si se sobrepasan dichas restricciones, o si se va a instalar una combinación de unidades internas y externas, consulte las instrucciones de instalación de la unidad interna para obtener más detalles.

Unidad exterior	Longitud total de tubos permisible A+B+C+D+E	Longitud total sin carga A+B+C+D+E
P200 P250	70 m y menos	30 m y menos
Unidad exterior	$ B-C \text{ o } B-D \text{ o } B-E \text{ o } C-D \text{ o } C-E \text{ o } D-E $	Nº de codos
P200 P250	8 m y menos	Dentro de 15

5. Tubería de drenaje

Conexión de la tubería de drenaje con la unidad exterior

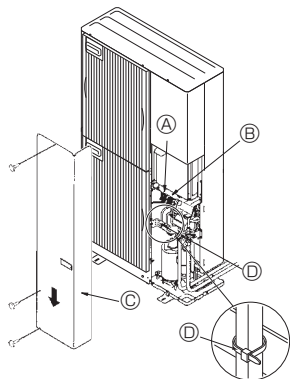
Cuando sea necesario drenar la tubería, use la toma de drenaje o la batería de drenaje (opcional).

Toma de drenaje	PAC-SG61DS-E
Batería de drenaje	PAC-SG64DP-E

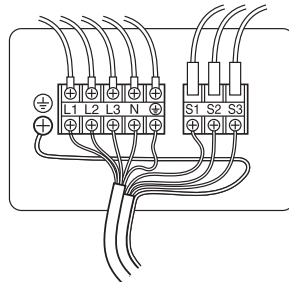
6. Trabajo eléctrico

6.1. Unidad exterior (Fig. 6-1, Fig. 6-2)

- Extraiga el panel de servicio.
- Tienda los cables de acuerdo con la Fig. 6-1 y Fig. 6-2.



Nota: Si durante el servicio ha tenido que quitar la tapa protectora de la caja eléctrica, debe volver a colocarla.



- (A) Bloque de terminales de la fuente de alimentación (L1, L2, L3, N, ⊕)
- (B) Bloque de terminales de la conexión interior/exterior (S1, S2, S3)
- (C) Panel de servicio
- (D) Grapa

* Sujete los cables de forma que no entren en contacto con el centro del panel de servicio o la válvula de gas.

⚠ Cuidado:

Asegúrese de instalar la línea-N. Sin la línea-N la unidad podría resultar dañada.

* Excepto para PEA-RP200, 250, 400, 500GA

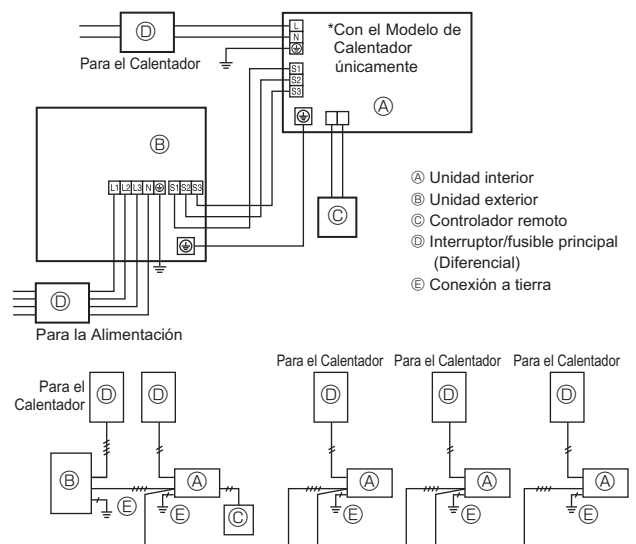
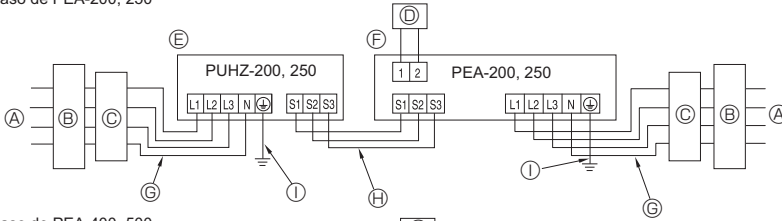


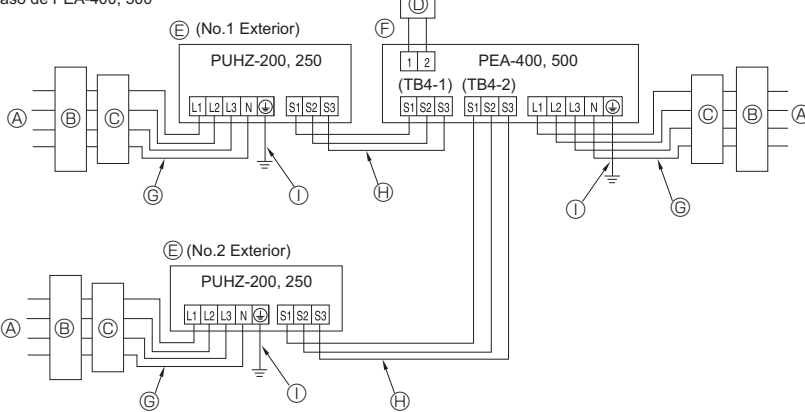
Fig. 6-1

6. Trabajo eléctrico

* En caso de PEA-200, 250

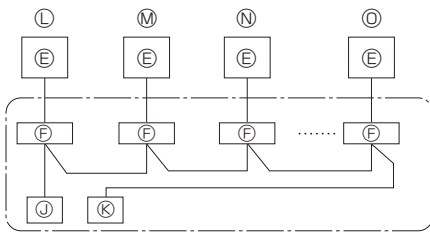


* En caso de PEA-400, 500



- Ⓐ Fuente de alimentación
- Ⓑ Disyuntor de fugas a tierra
- Ⓒ Disyuntor o interruptor local
- Ⓓ Controlador remoto de LCD
- Ⓔ Unidad exterior
- Ⓕ Unidad interior
- Ⓖ Cableado de alimentación
- Ⓗ Cableado de conexión interior/exterior
- Ⓘ Toma de tierra
- Ⓛ Control remoto principal
- Ⓜ Control remoto secundario
- Ⓝ Estándar (Dirección de refrigerante = 00)
- Ⓞ Dirección de refrigerante = 01
- Ⓟ Dirección de refrigerante = 02
- Ⓠ Dirección de refrigerante = 03
- Ⓡ Dirección de refrigerante = 14
- Ⓢ Dirección de refrigerante = 15

* En caso de PEA-200, 250



* En caso de PEA-400, 500

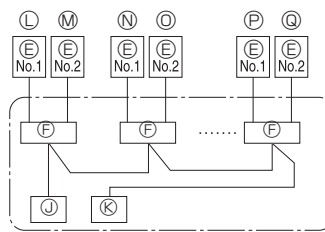


Fig. 6-2

6.2. Conexión eléctrica de campo

Modelo de la unidad exterior		P200, 250
Unidad exterior Alimentación	Fase Frecuencia y Voltaje	3N-(4 cables trifásicos), 50 Hz, 400 V
Capacidad de entrada de la unidad exterior	Interruptor principal (Diferencial)	*1 32 A
Cableado Cable n° x tamaño (mm ²)	Unidad exterior alimentación	5 x Min. 4
	Unidad interior-Unidad exterior	*2 Longitud del cable 50 m : 3 x 4 (Polar)/Longitud del cable 80 m : 3 x 6 (Polar)
	Cable a tierra de la Unidad interior y de la Unidad exterior	1 x Min. 2,5
	Control remoto - Unidad interior	*3 2 x 0,3 (No-polar)
Rango del circuito	Unidad exterior L1-N, L2-N, L3-N	*4 AC 230 V
	Unidad interior-Unidad exterior S1-S2	*4 AC 230 V
	Unidad interior-Unidad exterior S2-S3	*4 DC 24 V
	Control remoto - Unidad interior	*4 DC 12 V

*1. Utilice un disyuntor automático de fugas a tierra (NV) con una separación mínima de contacto de 3 mm en cada uno de los polos.

*2. Máx. 80 m El Máx. Total incluyendo todo el cableado de conexión de las unidades interiores/ interiores es de 80 m.

• Utilice un cable para S1 y S2 y otro para S3 tal y como muestra la ilustración.

• Máx. 50 m Máx. total para PEA. Longitud del cable 3 x 1,5 (Polar).

*3. Se coloca un cable de 10 m al accesorio del controlador remoto.

*4. El voltaje NO se aplica a la toma a tierra.

El terminal S3 dispone de DC24V frente al terminal S2. Entre S3 y S1, estos terminales no están aislados eléctricamente por el transformador u otro dispositivo.

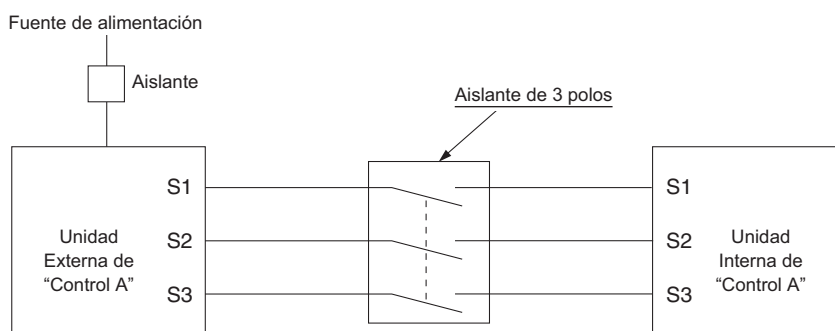


Notas: 1. El diámetro de los cables debe cumplir la normativa local y nacional.

2. Los cables de alimentación y los que conectan la unidad interior y la exterior deben tener una resistencia mínima equiparable a los cables flexibles revestidos de policloropreno. (Diseño 60245 IEC 57)

3. Utilice un cable a tierra más largo que los demás cables de modo que no pueda desconectarse cuando se ejerza tensión.

No empalme nunca el cable de corriente o el cable de la conexión interior-exterior, de lo contrario se podrían provocar humo, un incendio o un fallo en la comunicación.







6. Trabajo eléctrico

⚠ Atención:

Si hay un cableado de control A habrá un alto voltaje potencial en el terminal S3 causado por un diseño de circuito eléctrico que no incluye aislamiento entre la línea de alimentación y la línea de señal de comunicación. Por ello es necesario que desconecte la alimentación principal antes de reparar la unidad. No toque nunca los terminales S1, S2 y S3 mientras esté conectada la alimentación eléctrica. Si debe utilizar el aislante entre la unidad interior y la unidad exterior, utilice el tipo de aislante de 3 polos.

ESPECIFICACIONES DE CABLEADO PARA 220-240 V 50 Hz (CABLE DE CONEXIÓN DE LAS UNIDADES INTERIORES/EXTERIORES)

Corte transversal del cable	Tamaño del cable (mm ²)	Número de cables	Polaridad	L (m)*6
Redondo 	2,5	3	Hacia la derecha : S1-S2-S3 * Preste atención a la banda amarilla y verde	(30) *2
Plano 	2,5	3	No se aplica (Porque el cable central no tiene revestimiento)	No se aplica *5
Plano 	1,5	4	De izquierda a derecha : S1-Abierto-S2-S3	(18) *3
Redondo 	2,5	4	Hacia la derecha : S1-S2-S3- Abierto * Conecte S1 y S3 en el ángulo opuesto	(30) *4

*1 : Los cables de alimentación de los aparatos no deben ser más livianos que los cables de diseño 60245 IEC o 227 IEC.

*2 : En caso de que se disponga de cable con banda amarilla y verde.

*3 : En caso de conexión con polaridad regular (S1-S2-S3), el tamaño de cable es de 1,5 mm².

*4 : En caso de conexión con polaridad regular (S1-S2-S3).

*5 : En caso de que los cables planos estén conectados según esta imagen, puede utilizarse hasta 30 m.

*6 : La longitud de cable indicada sólo tiene un valor de referencia.

Puede ser diferente dependiendo de las condiciones de instalación, humedad o materiales, etc.



Asegúrese de conectar directamente los cables de conexión interior- exterior a las unidades (no hay conexiones intermedias).

Las conexiones intermedias pueden dar lugar a errores de comunicación si entra agua en los cables y ocasionar que el aislamiento a tierra sea insuficiente o que el contacto eléctrico sea deficiente en el punto de conexión intermedio.

7. Prueba de funcionamiento

7.1. Antes de realizar las pruebas

▶ Después de la instalación de tubos y cables en las unidades interior y exterior, compruebe que no haya escapes de refrigerante, que no se haya aflojado ni la fuente de alimentación ni el cableado de control, que la polaridad no sea errónea y que no se haya desconectado ninguna fase de la alimentación.

▶ Utilice un megaohmímetro de 500 V para comprobar que la resistencia entre los bornes de alimentación y la tierra es como mínimo de 1,0 MΩ.

▶ No efectúe esta prueba en los bornes de los cables de control (circuito de bajo voltaje).

⚠ Atención:

No utilice el aire acondicionado si la resistencia de aislamiento es inferior a 1,0 MΩ.

Resistencia del aislamiento

Después de la instalación, o después de un prolongado período de desconexión del aparato, la resistencia del aislamiento será inferior a 1 MΩ debido a la acumulación de refrigerante en el compresor. Esto no es una avería. Siga los siguientes pasos:

1. Retire los cables del compresor y mida la resistencia del aislamiento del compresor.
2. Si la resistencia del aislamiento es menor de 1 MΩ, el compresor está dañado o la resistencia ha descendido por la acumulación de refrigerante en el compresor.
3. Después de conectar los cables al compresor, éste empezará a calentarse después de volver a restablecerse el suministro de corriente. Después de restablecer la corriente según los intervalos que se detallan a continuación, vuelva a medir la resistencia del aislamiento.

- La resistencia del aislamiento se reduce debido a la acumulación de refrigerante en el compresor. La resistencia volverá a subir por encima de 1 MΩ después de que el compresor haya funcionado durante 4 horas. (El tiempo requerido para calentar el compresor varía según las condiciones atmosféricas y la acumulación de refrigerante.)
 - Para hacer funcionar un compresor con refrigerante acumulado, se debe calentar durante al menos 12 horas para evitar que se averíe.
4. Si la resistencia del aislamiento es superior a 1 MΩ, el compresor no está averiado.

⚠ Precaución:

- El compresor no funcionará a menos que la conexión de fase de la fuente de alimentación sea correcta.
- Conecte la corriente al menos 12 horas antes de que empiece a funcionar el equipo.
- Si se acciona inmediatamente después de haberlo conectado a la corriente, pueden producirse daños graves en las piezas internas. Mantenga la unidad conectada a la corriente durante la temporada de funcionamiento.

▶ También debe comprobar lo siguiente.

- La unidad exterior no está averiada. Los indicadores LED1 y LED2 del cuadro de control parpadean cuando la unidad exterior está averiada.
- Tanto las válvulas de gas como las de líquido están completamente abiertas.
- La superficie del panel de los conmutadores DIP del cuadro de control de la unidad exterior está protegida por una tapa. Quite la tapa protectora para manejar los conmutadores DIP fácilmente.

7.2. Prueba de funcionamiento

7.2.1. Al usar SW4 en la unidad exterior

SW4-1	ON	Funcionamiento del enfriamiento
SW4-2	OFF	
SW4-1	ON	Funcionamiento del de la calefacción
SW4-2	ON	

* Después de la realización de las pruebas, ponga SW4-1 en OFF.

- Después de conectar la corriente, se puede oír un pequeño "clíc" del interior de la unidad exterior. La válvula electrónica de expansión se irá abriendo y cerrando. La unidad no está averiada.

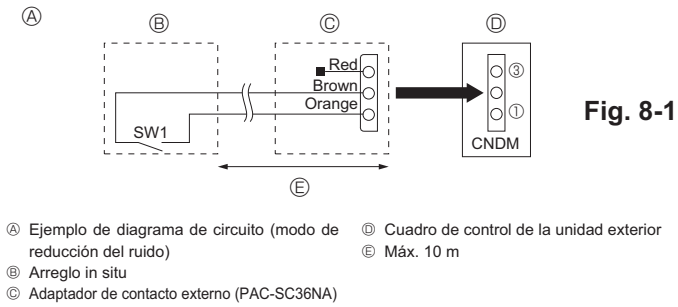
- A los pocos segundos de funcionar el compresor, se puede oír un pequeño sonido metálico del interior de la unidad exterior. El sonido lo produce la válvula de retención por la pequeña diferencia de presión de las tuberías. La unidad no está averiada.

El modo de prueba de funcionamiento no se puede cambiar por el conmutador DIP SW4-2 durante la prueba. (Para cambiar el modo de prueba de funcionamiento durante la prueba, pare la prueba con el conmutador DIP SW4-1. Después de cambiar el modo de prueba de funcionamiento, reanude la prueba con el conmutador SW4-1.)

7.2.2. Uso del control remoto

Consulte el manual de instalación de la unidad interior.

8. Funciones especiales



8.1. Modo de reducción del ruido

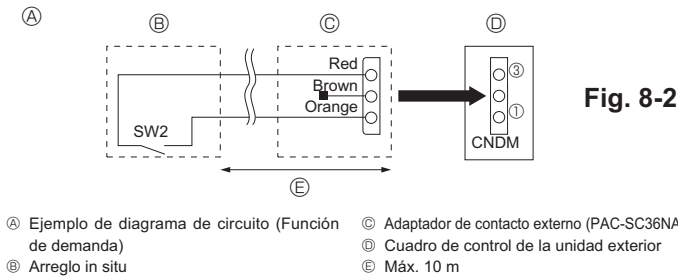
(modificación in situ) (Fig. 8-1)

Si lleva a cabo las siguientes modificaciones, puede reducir el ruido de la unidad exterior en 3 o 4 dB.

El modo de reducción del ruido se activará cuando añada un programador (disponible en los comercios) o si al conector CNDM (que se vende por separado) del cuadro de control de la unidad exterior se le añade una entrada por contacto de un interruptor de Encendido/Apagado.

- La disponibilidad varía según la temperatura exterior, las condiciones atmosféricas, etc.

- ① Complete el circuito como se muestra utilizando el adaptador de contacto externo (PAC-SC36NA). (Se vende por separado)
- ② SW1 en posición ON: Modo de reducción del ruido
SW1 en posición OFF: Funcionamiento normal



8.2. Función de demanda (modificación in situ) (Fig. 8-2)

Si lleva a cabo la siguiente modificación, el consumo de energía se puede reducir a 0-100% del consumo normal.

La función de demanda se activará al agregar un temporizador comercial o la entrada de contacto de un interruptor ON/OFF al conector CNDM (opcional) del panel de control de la unidad exterior.

- ① Complete el circuito como se muestra utilizando el adaptador de contacto externo (PAC-SC36NA). (Se vende por separado)
- ② Si se ajustan los interruptores SW7-1 y SW7-2 exterior, el consumo de energía (en comparación limitarse tal y como se muestra más abajo).

SW7-1	SW7-2	Consumo de energía (SW2 ON)
OFF	OFF	0% (detenido)
ON	OFF	50%
OFF	ON	75%

8.3. Recuperación del refrigerante (vaciado)

Para recuperar el refrigerante cuando mueva la unidad interior o exterior siga los siguientes pasos.

- ① Fuente de alimentación (disyuntor).
 - * Cuando haya restablecido la corriente, asegúrese de que en la pantalla del controlador remoto no aparece "CENTRALLY CONTROLLED". Si aparece "CENTRALLY CONTROLLED" no se puede recuperar el refrigerante (vaciado) de manera normal.
 - * La comunicación entre la unidad interior y exterior se inicia aproximadamente 3 minutos después de conectar la alimentación (disyuntor). Inicie la operación de vaciado entre 3 y 4 minutos después de que se haya conectado la alimentación (disyuntor).
- ② Después de cerrar la válvula de líquido, sitúe el interruptor SWP del cuadro de control de la unidad exterior en posición ON. El compresor (unidad exterior) y los ventiladores (unidad interior y exterior) se ponen en marcha y empieza el proceso de recuperación del refrigerante. Los indicadores LED1 y LED2 del cuadro de control de la unidad exterior están encendidos.
 - * Sólo coloque el interruptor SWP (botón pulsador) en la posición ON si la unidad está parada. Aún y así, incluso si la unidad está parada y el interruptor SWP está en posición ON menos de 3 minutos después de que el compresor se haya parado, la operación de recuperación del refrigerante no se puede realizar. Espere 3 minutos después que el compresor se haya parado y vuelva a poner el interruptor SWP en posición ON.

- ③ Dado que la unidad se para automáticamente al cabo de 2 o 3 minutos de terminar el proceso de recuperación del refrigerante (el indicador LED1 está apagado y el indicador LED2 encendido), asegúrese de cerrar rápidamente la válvula de parada de gas. Si el indicador LED1 está encendido y el indicador LED2 apagado, y la unidad exterior está parada, el proceso de recuperación del refrigerante no se lleva a cabo correctamente. Abra completamente la válvula de parada de líquido y repita el paso ② al cabo de 3 minutos.

* Si la operación de recuperación del refrigerante se ha completado con éxito (el indicador LED1 está apagado y el indicador LED2 encendido), la unidad continuará parada hasta que se corte la corriente.

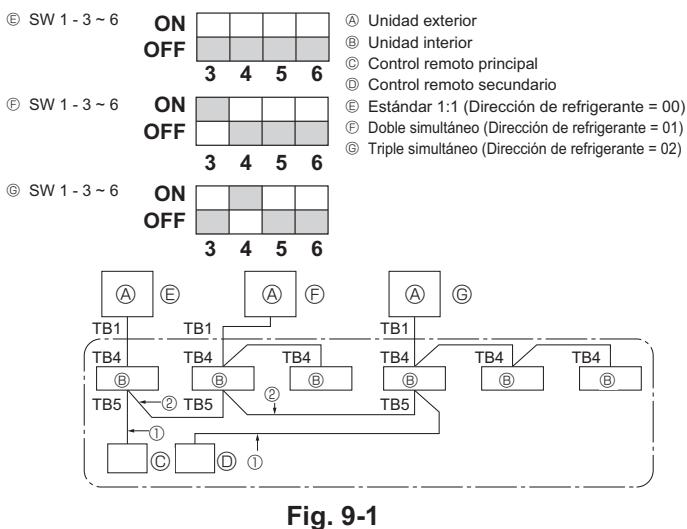
- ④ Corte la corriente (disyuntor).

* Tenga en cuenta que cuando la tubería de extensión es muy larga y contiene una gran cantidad de refrigerante, es posible que no se pueda realizar una operación de vaciado. Cuando realice esta operación, asegúrese de que la presión ha descendido a casi 0 Mpa (manómetro).

⚠ Atención:

Al realizar el vaciado del refrigerante, detenga el compresor antes de desconectar las tuberías de refrigerante. El compresor podría explotar si entra aire, etc. en su interior.

9. Sistema de control (Fig. 9-1)



* Ajuste la dirección de refrigerante utilizando el interruptor DIP de la unidad exterior.

- ① Cableado desde el control remoto

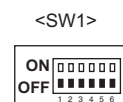
Este cable se conecta a TB5 (bloque de terminales del control remoto) de la unidad interior (sin polaridad).

- ② Cuando esté utilizando un agrupamiento de sistemas de refrigerante diferente Utilizando un control remoto fino MA podrán controlarse como un grupo hasta 16 sistemas de refrigerante.

Nota:

Si se utiliza un único sistema refrigerante (doble/triple) no es necesario llevar cable a ②.

SW1
Tabla de funciones



Función	Funcionamiento según el ajuste del interruptor	
	ON	OFF
1 Desescarchado obligatorio	Iniciar	Normal
2 Borrado del registro histórico de errores	Borrar	Normal
3 Ajuste de la dirección del sistema refrigerante	Ajustes de las direcciones 0 a 15 de la unidad exterior	

Indice

1. Misure di sicurezza	47	6. Collegamenti elettrici	52
2. Luogo in cui installare	48	7. Prova di funzionamento	54
3. Installazione della sezione esterna	49	8. Funzioni speciali	55
4. Installazione della tubazione del refrigerante	50	9. Controllo del sistema (Fig. 9-1)	55
5. Installazione della tubazione di drenaggio	52		

1. Misure di sicurezza

- ▶ Leggere attentamente la sezione "Misure di sicurezza" prima di far funzionare l'unità.
- ▶ Prima di collegare l'equipaggiamento alla rete di alimentazione, contattare o chiedere l'autorizzazione dell'autorità competente.
- ▶ "Questa apparecchiatura è conforme alla norma IEC 61000-3-12, a condizione che la potenza di cortocircuito S_{sc} sia superiore o uguale alla $S_{sc}(*1)$ al punto di interfaccia tra la sorgente di alimentazione dell'utente e la rete pubblica. Spetta all'installatore o all'utente dell'apparecchiatura assicurare, se necessario dopo aver consultato l'operatore della rete di distribuzione, che l'apparecchiatura stessa sia collegata esclusivamente ad una fonte di alimentazione con potenza di cortocircuito S_{sc} uguale o superiore a $S_{sc}(*1)$ "

$S_{sc}(*1)$

Modello	S_{sc} (MVA)
PUHZ-P200	1.35
PUHZ-P250	1.49

⚠ Avvertenza:

- L'unità non deve essere montata dall'utente. Richiedere ad un rivenditore o ad un tecnico autorizzato di provvedere all'installazione. Un montaggio scorretto dell'unità può essere causa di perdite di acqua, scosse elettriche o incendi.
- Per eseguire l'installazione, seguire quanto indicato nel Manuale d'installazione e utilizzare gli strumenti e i componenti dei tubi specificatamente previsti per il refrigerante R410A. Il R410A presente nel sistema a idrofluorocarburi è pressurizzato con una pressione pari a 1,6 volte quella dei refrigeranti tradizionali. L'utilizzo di componenti dei tubi non adatti al refrigerante di tipo R410A e un'installazione scorretta dell'unità possono causare lo scoppio dei tubi, provocando danni e lesioni. Inoltre, si possono verificare perdite di acqua, scosse elettriche o incendi.
- L'unità deve essere montata conformemente alle istruzioni, riducendo al minimo il rischio di possibili danni causati da terremoti, tifoni o forti raffiche di vento. Se installata in maniera scorretta, può cadere e provocare danni e lesioni.
- Installare l'unità in maniera sicura su una struttura in grado di sostenerne il peso. Se montata su una struttura instabile, l'unità potrebbe cadere e provocare danni e lesioni.
- Nel caso il condizionatore venisse installato in un ambiente piccolo, è consigliabile prendere i dovuti accorgimenti per evitare che nella stanza, nel caso di una perdita di refrigerante, si formi una concentrazione di refrigerante superiore ai limiti di sicurezza. Per maggiori informazioni sulle misure adatte ad evitare il superamento dei limiti di concentrazione stabiliti, consultare un rivenditore. Eventuali perdite di refrigerante o il superamento dei limiti di concentrazione possono causare situazioni di pericolo imputabili alla mancanza di ossigeno nella stanza.
- In presenza di perdite di refrigerante durante il funzionamento, aerare la stanza. A contatto con una fiamma, il refrigerante può rilasciare gas tossici.
- Tutti gli interventi elettrici devono essere eseguiti da un tecnico qualificato, rispettando le normative locali e le istruzioni riportate nel presente manuale. Le unità devono essere alimentate da linee elettriche dedicate e con il voltaggio corretto; è inoltre necessario utilizzare appositi interruttori di circuito. Le linee elettriche con una capacità insufficiente o un'attività elettrica non idonee possono provocare scosse elettriche o incendi.
- Per tutti i tubi continui in rame e lega di rame, per collegare i tubi di refrigerazione, utilizzare rame fosforoso C1220. Nel caso di errato collegamento

⚠ Avvertenza:

Descrive le precauzioni da prendere per evitare il rischio di lesioni, anche mortali, per l'utente.

⚠ Cautela:

Descrive le precauzioni da prendere per evitare il danneggiamento dell'unità. Terminata l'installazione, spiegare le "Misure di sicurezza", l'uso e la manutenzione dell'unità al cliente conformemente alle informazioni riportate nel manuale d'uso ed eseguire il ciclo di prova per accertare che l'impianto funzioni normalmente. Consegnare il Manuale d'uso ed il Manuale di installazione al cliente, che li dovrà conservare e, in futuro, consegnarli ad eventuali nuovi utenti.

⚡ : Indica la necessità di collegare un componente a massa.

⚠ Avvertenza:

Leggere attentamente le etichette attaccate all'unità principale.

dei tubi, l'unità non sarà messa a terra correttamente, con un conseguente rischio di scossa elettrica.

- Utilizzare esclusivamente i cablaggi specificati. I collegamenti devono essere fatti in condizioni di sicurezza, senza tensione sui connettori. Inoltre, non giuntare mai i cablaggi (se non diversamente indicato nel presente documento). La mancata osservanza di queste istruzioni può essere causa di surriscaldamento o incendio.
- Il pannello di copertura della morsetteria dell'unità esterna deve essere fissato saldamente. Se il pannello di copertura non è montato correttamente e nell'unità penetrano polvere ed umidità, vi è il rischio di scosse elettriche o di incendio.
- Durante l'installazione o il trasloco, o quando si sottopone ad assistenza il condizionatore d'aria, utilizzare solo il refrigerante specificato (R410A) per ricaricare i tubi del refrigerante. Non mescolarlo con nessun altro tipo di refrigerante e non consentire all'aria di restare all'interno dei tubi. Qualora dell'aria si mescoli con il refrigerante, potrebbe far innalzare in modo anomalo la pressione nel tubo del refrigerante, il che potrebbe provocare un'esplosione o altri pericoli. L'uso di refrigeranti diversi da quello specificato per il sistema provocherà guasti meccanici, malfunzionamenti del sistema o la rottura dell'unità. Nel peggiore dei casi, questo potrebbe impedire seriamente di garantire la messa in sicurezza del prodotto.
- Utilizzare soltanto gli accessori autorizzati dalla Mitsubishi Electric e richiedere a un rivenditore o a un tecnico autorizzato di provvedere all'installazione. Un montaggio scorretto dell'unità può causare perdite di acqua, scosse elettriche o incendi.
- Non modificare la struttura dell'unità. Per le riparazioni, consultare un rivenditore. Eventuali modifiche o riparazioni non eseguite correttamente possono provocare perdite di acqua, scosse elettriche o incendi.
- L'utente non dovrebbe mai tentare di riparare l'unità o spostarla in un'altra sede. Un montaggio scorretto dell'unità può essere causa di perdite di acqua, scosse elettriche o incendi. Per riparare o spostare il condizionatore contattare un rivenditore o un tecnico specializzato.
- Terminata l'installazione, accertarsi che non vi siano perdite di refrigerante. Eventuali perdite di refrigerante nella stanza a contatto con una fiamma possono causare la formazione di gas tossici.

1.1. Prima dell'installazione

⚠ Cautela:

- Non utilizzare l'unità in un ambiente insolito. Se installata in zone esposte a vapore, olio volatile (compreso l'olio per macchine), gas sulfureo, in zone a elevato contenuto salino, tra cui le località marittime o in aree dove l'unità rischia di venire ricoperta dalla neve, le sue prestazioni potrebbero essere notevolmente pregiudicate e i componenti interni potrebbero essere danneggiati.
- Non installare l'unità dove si possono verificare perdite, produzione, flusso o accumulo di gas. Nel caso di accumulo di gas attorno all'unità, si possono verificare incendi ed esplosioni.
- Durante la fase di riscaldamento, l'unità esterna produce condensa. Provvedere a un apposito sistema di scarico attorno all'unità esterna nel caso questa condensa possa provocare dei danni.

1.2. Prima dell'installazione (spostamento)

⚠ Cautela:

- Durante il trasporto o l'installazione delle unità, prestare estrema attenzione. L'unità pesa oltre 20 kg, quindi per poterla maneggiare sono necessarie 2 o più persone. Non afferrare l'unità dai nastri di imballaggio. Per estrarre l'unità dalla confezione e per spostarla indossare appositi guanti protettivi, per scongiurare il ferimento dei palmi delle mani o di altre estremità del corpo.
- Smaltire in maniera sicura il materiale di imballaggio. Il materiale di imballaggio, tra cui i chiodi e altre parti in metallo o legno, possono causare ferite da punta o altri tipi di lesione.

- Qualora l'unità venisse installata in un ospedale o in uffici aperti al pubblico, considerare che essa potrà essere fonte di rumorosità ed interferenze con le apparecchiature elettroniche. Gli inverter, le applicazioni domestiche, le attrezzature mediche ad alta frequenza e le apparecchiature di radiocomunicazione possono provocare danni o rotture del condizionatore. Il condizionatore può anche influire sul funzionamento delle attrezzature mediche, disturbandone le prestazioni e le apparecchiature di comunicazione, pregiudicando la qualità di visualizzazione sullo schermo.

- La base e gli elementi di fissaggio dell'unità esterna devono essere sottoposti a controlli periodici, accertando che non siano allentati, fessurati o danneggiati in altro modo. Se non si eliminano questi difetti, l'unità può cadere e causare danni e lesioni.
- Non pulire il condizionatore con acqua. Rischio di scossa elettrica.
- Stringere tutti i dadi svasati utilizzando una chiave dinamometrica. Se stretto troppo, il dado svasato dopo un periodo prolungato si può rompere, causando una perdita di refrigerante.

1. Misure di sicurezza

1.3. Prima dell'esecuzione degli interventi elettrici

⚠ Cautela:

- Accertarsi di aver installato gli interruttori di circuito. In caso contrario, esiste il rischio di scossa elettrica.
- Per le linee di alimentazione utilizzare cavi standard di capacità sufficiente. In caso contrario, rischio di cortocircuito, surriscaldamento o incendio.
- Durante l'installazione delle linee di alimentazione, non mettere i cavi sotto tensione. In presenza di connessioni lente, i cavi possono fuoriuscire e rompersi, causando surriscaldamento o incendio.

1.4. Prima di iniziare il ciclo di prova

⚠ Cautela:

- Azionare l'interruttore principale almeno 12 ore prima di avviare l'impianto. L'avvio dell'impianto immediatamente dopo l'azionamento dell'interruttore principale può danneggiare gravemente le parti interne. Mantenere l'interruttore principale azionato per l'intera stagione operativa.
- Prima di avviare l'impianto, accertarsi che tutti i pannelli, le protezioni ed altri elementi di sicurezza siano installati correttamente. Gli elementi rotanti, caldi o ad alta tensione possono provocare lesioni.
- Non toccare nessun interruttore con le mani umide. Rischio di scossa elettrica.

1.5. Utilizzo dei condizionatori caricati con refrigerante R410A

⚠ Cautela:

- Utilizzare nuovi tubi del refrigerante. Notare quanto segue se vengono riutilizzati tubi preesistenti che erano stati utilizzati per trasportare refrigerante R22.
 - Accertarsi di pulire i tubi e che l'interno dei tubi sia pulito.
 - Sostituire i dadi svasati presenti e svasare nuovamente le sezioni svasate.
 - Non utilizzare tubi sottili. (Vedere a 4.1.)
- Per tutti i tubi continui in rame e lega di rame, per collegare i tubi di refrigerazione, utilizzare rame fosforoso C1220. Accertarsi che le parti interne dei tubi siano pulite e che non contengano agenti contaminanti dannosi, tra cui composti solfurei, ossidanti, detriti o polvere. Usare tubi dello spessore specificato. (Vedere a 4.1.)
- Conservare i tubi da utilizzare durante l'installazione in un ambiente chiuso e mantenere sigillate entrambe le estremità dei tubi fino a poco prima di procedere con la brasatura. (Lasciare le giunzioni a gomito ecc. nella confezione). La presenza di polvere, detriti o umidità nelle linee dei refrigeranti, può causare il deterioramento dell'olio e guastare il compressore.
- Come olio di refrigerazione da applicare alle sezioni svasate, usare olio eterico, eterico, olio di alchilbenzolo (in quantità limitate). Mescolando l'olio minerale con l'olio di refrigerazione si può provocare un deterioramento dell'olio.

- Mettere a terra l'unità. Non collegare il cavo di messa a terra alle linee del gas o dell'acqua, ai parafulmini o alle linee di messa a terra telefoniche. Se non messa a terra correttamente, l'unità può causare scosse elettriche.
- Usare interruttori di circuito (interruttore di guasti a terra, sezionatore (fusibile +B) e interruttore di circuito a corpo sagomato) con la capacità specificata. Una capacità dell'interruttore di circuito superiore a quella specificata può causare guasti o incendi.

- Non toccare i tubi del refrigerante a mani nude durante il funzionamento. I tubi del refrigerante possono essere estremamente caldi o freddi, secondo le condizioni del flusso del refrigerante. Il contatto con i tubi può quindi provocare ustioni o congelamento.
- A funzionamento terminato, attendere almeno cinque minuti prima di spegnere l'interruttore principale. Diversamente, si possono verificare perdite di acqua o guasti.

- Non utilizzare altri refrigeranti diversi dal tipo R410A. Utilizzando un refrigerante diverso, il cloro provoca un deterioramento dell'olio.
- Usare una pompa a vuoto con valvola di non ritorno. Se l'olio della pompa a vuoto ritorna verso le linee refrigeranti, potrebbe verificarsi il deterioramento dell'olio refrigerante.
- Per il refrigerante R410A, usare i seguenti strumenti appositi. Con il refrigerante R410A sono richiesti i seguenti strumenti. Per qualsiasi informazione aggiuntiva, contattare il rivenditore più vicino.

Strumenti (per R410A)	
Calibro tubo	Utensile di svasatura
Tubo di caricamento	Calibro di regolazione misura
Rilevatore di perdite di gas	Adattatore pompa a vuoto
Chiave dinamometrica	Bilancia elettronica di caricamento refrigerante

- Accertarsi di utilizzare gli strumenti adatti. La presenza di polvere, detriti o umidità nelle linee dei refrigeranti, può causare il deterioramento dell'olio.
- Non utilizzare un cilindro di caricamento. L'impiego di un cilindro di caricamento può modificare la composizione del refrigerante ed abbassare il livello di efficienza.

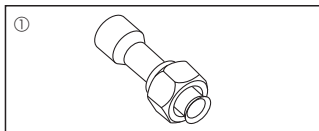


Fig. 1-1

1.6. Accessori dell'unità esterna (Fig. 1-1)

Le parti mostrate a sinistra sono gli accessori di questa unità, situati all'interno del pannello di servizio.

- ① Tubazione lineare.....x1

2. Luogo in cui installare

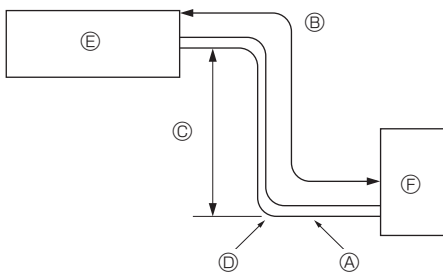


Fig. 2-1

2.1. Tubazione del refrigerante (Fig. 2-1)

- ▶ Verificare che il dislivello fra le sezioni interna ed esterna, la lunghezza della tubazione del refrigerante ed il numero di pieghe sulla stessa siano entro i limiti indicati nella tabella sottostante.

Modello	④Dimensioni tubo (mm)		⑥Lunghezza della tubazione (una direzione)	③Dislivello	⑤Numero di pieghe (una direzione)
	Lato gas	Lato liquidi			
P200	ø25,4	ø9,52	Max. 70 m	Max. 30 m	Max. of 15
P250	(ø28,58)	ø12,7	Max. 70 m	Max. 30 m	Max. of 15

- Le specifiche del dislivello sono valide per qualsiasi installazione delle sezioni interna ed esterna, indipendentemente da quale unità si trova in posizione più elevata.
 - ⑤ Sezione interna
 - ⑥ Sezione esterna

2.2. Scelta del luogo di installazione dell'unità esterna

- Evitare i luoghi esposti alla luce solare diretta o altre fonti di calore.
- Scegliere un luogo dove il rumore emesso dall'unità non disturbi i vicini.
- Scegliere un luogo che consenta di eseguire facilmente i cablaggi ed accedere ai tubi della fonte di alimentazione e dell'unità interna.
- Evitare i luoghi dove si possono verificare perdite, produzione, flusso o accumulo di gas.
- Notare che durante il funzionamento si possono verificare perdite di acqua dall'unità.
- Scegliere un luogo piano in grado di supportare il peso e le vibrazioni dell'unità.
- Evitare di installare l'unità dove possa venire ricoperta dalla neve. Nelle zone in cui le precipitazioni nevose vengono previste in anticipo, prendere particolari precauzioni, ad esempio aumentando l'altezza di installazione o installando un cappuccio nella presa d'aria, in modo da evitare che la neve possa ostruire la presa d'aria o possa soffiare direttamente contro di essa. Questi fenomeni possono ridurre il flusso dell'aria e causare anomalie.
- Evitare i luoghi esposti agli schizzi di olio, vapore o al gas solfureo.
- Per trasportare l'unità usare le apposite maniglie dell'unità esterna. Trasportando l'unità dal fondo, mani o dita possono rimanere schiacciate.

2.3. Dimensioni (Sezione esterna) (Fig. 2-2)

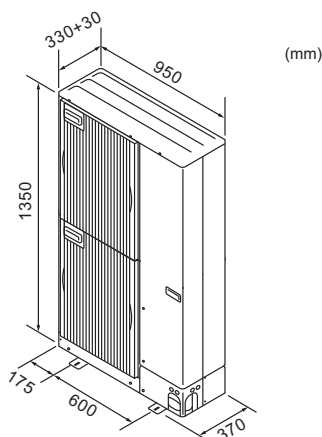


Fig. 2-2

2. Luogo in cui installare

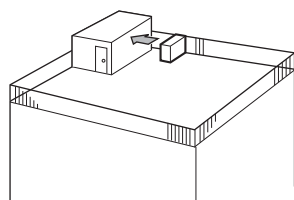


Fig. 2-3

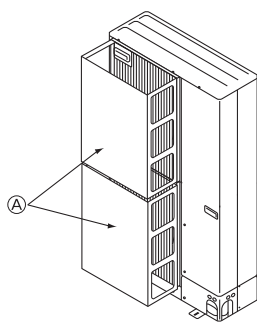


Fig. 2-4

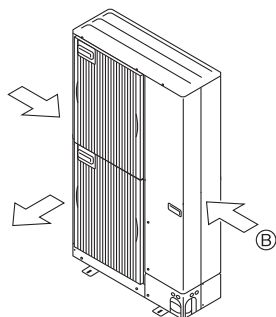


Fig. 2-5

2.4. Ventilazione e spazio di servizio

2.4.1. Installazione in una posizione ventosa

Nel caso l'unità esterna venisse montata in cima a un tetto o in un altro punto non protetto dal vento, posizionare l'uscita dell'aria dell'unità in modo da non esporla direttamente ai venti forti. Eventuali raffiche di vento, penetrando nella bocca di uscita dell'aria, possono impedire il normale flusso dell'aria e causare anomalie.

Le istruzioni riportate di seguito illustrano tre esempi di misure di protezione dai venti forti.

- ① Posizionare la bocca di uscita dell'aria verso la parete più vicina, mantenendola a circa 50 cm di distanza dalla parete. (Fig. 2-3)
- ② Installare una guida per la bocca di uscita dell'aria opzionale nel caso l'unità venga installata in un luogo dove vento forte causato da tifoni o da fenomeni simili possono penetrare direttamente nella bocca di uscita dell'aria. (Fig. 2-4)
 - Ⓐ Guida per la bocca di uscita dell'aria
- ③ Se possibile, posizionare l'unità in modo che la bocca di uscita soffi perpendicolarmente alla direzione del vento stagionale. (Fig. 2-5)
 - Ⓑ Direzione del vento

2.4.2. Installazione di un'unica unità esterna (Consultare l'ultima pagina)

Le dimensioni minime sono le seguenti, eccetto per i valori Max., i quali indicano le dimensioni massime.

Fare riferimento alle figure per ciascun caso.

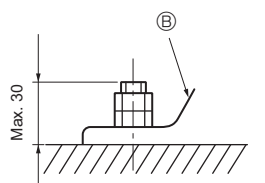
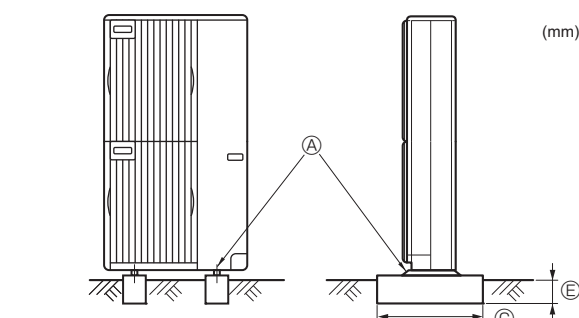
- ① Solo ostacoli posteriori (Fig. 2-6)
- ② Solo ostacoli posteriori e superiori (Fig. 2-7)
- ③ Solo ostacoli posteriori e laterali (Fig. 2-8)
- ④ Solo ostacoli anteriori (Fig. 2-9)
 - Nel caso si utilizzi la guida della bocca di uscita aria opzionale, il gioco previsto è di almeno 500 mm.
- ⑤ Solo ostacoli anteriori e posteriori (Fig. 2-10)
 - Nel caso si utilizzi la guida della bocca di uscita aria opzionale, il gioco previsto è di almeno 500 mm.
- ⑥ Solo ostacoli posteriori, laterali e superiori (Fig. 2-11)
 - Non utilizzare le guide per la bocca di uscita opzionale per il flusso dell'aria verso l'alto.

2.4.3. Installazione di diverse unità esterne (Consultare l'ultima pagina)

Lasciare uno spazio di almeno 10 mm tra le unità.

- ① Solo ostacoli posteriori (Fig. 2-12)
- ② Solo ostacoli posteriori e superiori (Fig. 2-13)
 - Non affiancare più di tre unità. Inoltre lasciare lo spazio indicato.
 - Non utilizzare le guide per la bocca di uscita opzionale per il flusso dell'aria verso l'alto.
- ③ Solo ostacoli anteriori (Fig. 2-14)
 - Nel caso si utilizzi la guida della bocca di uscita aria opzionale, il gioco previsto è di almeno 1000 mm.
- ④ Solo ostacoli anteriori e posteriori (Fig. 2-15)
 - Nel caso si utilizzi la guida della bocca di uscita aria opzionale, il gioco previsto è di almeno 1000 mm.
- ⑤ Disposizione di unità singole parallele (Fig. 2-16)
 - Nel caso si utilizzi una guida della bocca di uscita aria opzionale installata per il flusso verso l'alto, il gioco previsto è di almeno 1000 mm.
- ⑥ Disposizione di diverse unità parallele (Fig. 2-17)
 - Nel caso si utilizzi una guida della bocca di uscita aria opzionale, il gioco previsto è di almeno 1500 mm.
- ⑦ Disposizione unità sovrapposte (Fig. 2-18)
 - È consentito sovrapporre al massimo due unità.
 - Non affiancare più di due unità sovrapposte. Inoltre lasciare lo spazio indicato.

3. Installazione della sezione esterna



- Ⓐ Bullone M10 (3/8")
- Ⓑ Base
- Ⓒ Quanto più lungo possibile.
- Ⓓ Valvola
- Ⓔ Installare a terra in profondità

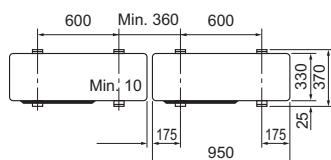


Fig. 3-1

- Assicurarsi di installare l'unità su una superficie solida e in piano, per evitare rumori di sbattimento durante il funzionamento. (Fig. 3-1)

<Specifiche delle fondamenta>

Bullone fondamenta	M10 (3/8")
Spessore del cemento	120 mm
Lunghezza del bullone	70 mm
Capacità di carico	320 kg

- Assicurarsi che la lunghezza del bullone fondamenta non superi 30 mm rispetto alla superficie inferiore della base.
- Assicurare saldamente la base dell'unità con quattro bulloni fondamenta M10 in punti sufficientemente solidi.

Installazione dell'unità esterna

- Non bloccare la valvola. Il blocco della valvola può impedire il funzionamento dell'impianto e provocare guasti.
- Oltre alla base dell'unità, utilizzare i fori di installazione previsti sul retro dell'unità per collegare i cavi ecc., se necessario per installare l'unità. Utilizzare viti autofilettanti (ø5 × 15 mm o meno) ed eseguire l'installazione sul posto.

⚠ Avvertenza:

- L'unità deve essere installata in maniera sicura su una struttura in grado di sostenerne il peso. Se montata su una struttura instabile, l'unità potrebbe cadere e causare danni e lesioni.
- L'unità deve essere montata conformemente alle istruzioni, riducendo al minimo il rischio di possibili danni causati da terremoti, tifoni o forti raffiche di vento. Se installata in maniera scorretta, un'unità può cadere e causare danni e lesioni.

4. Installazione della tubazione del refrigerante

4.1. Precauzioni per gli impianti che utilizzano il refrigerante tipo R410A

- Per ulteriori precauzioni non riportate di seguito sull'impiego dei condizionatori con refrigerante R410A, vedere a 1.5.
- Come olio di refrigerazione da applicare alle sezioni svasate, usare olio eterico, eterico, olio di alchilbenzolo (in quantità limitate).
- Per tutti i tubi continui in rame e lega di rame, per collegare i tubi di refrigerazione, utilizzare rame fosforoso C1220. Usare i tubi del refrigerante dello spessore specificato nella tabella in basso. Accertarsi che le parti interne dei tubi siano pulite e che non contengano agenti contaminanti dannosi, tra cui composti solfurei, ossidanti, detriti o polvere.

Per evitare di danneggiare il compressore, procedere ad una brasatura dei tubi che non produca ossidazione.

⚠ Avvertenza:

Durante l'installazione o il trasloco, o quando si sottopone ad assistenza il condizionatore d'aria, utilizzare solo il refrigerante specificato (R410A) per ricaricare i tubi del refrigerante. Non mescolarlo con nessun altro tipo di refrigerante e non consentire all'aria di restare all'interno dei tubi.

Qualora dell'aria si mescoli con il refrigerante, potrebbe far innalzare in modo anomalo la pressione nel tubo del refrigerante, il che potrebbe provocare un'esplosione o altri pericoli.

L'uso di refrigeranti diversi da quello specificato per il sistema provocherà guasti meccanici, malfunzionamenti del sistema o la rottura dell'unità. Nel peggiore dei casi, questo potrebbe impedire seriamente di garantire la messa in sicurezza del prodotto.

Dimensione tubo (mm)	ø6,35	ø9,52	ø12,7	ø15,88	ø19,05	ø22,2	ø25,4	ø28,58
Spessore (mm)	0,8	0,8	0,8	1,0	1,0	1,0	1,0	1,0

- Non utilizzare tubi più sottili di quanto specificato in precedenza.

4.2. Collegamento dei tubi (Fig. 4-1)

- Se vengono utilizzati dei tubi di rame disponibili in commercio, avvolgere del materiale di isolamento, disponibile in commercio, attorno ai tubi del liquido e del gas (resistente alla temperatura di 100 °C o superiore, spessore di almeno 12 mm).
- Le parti interne del tubo di drenaggio devono essere ricoperte di materiale di isolamento in schiuma di polietilene (gravità specifica di 0,03, spessore di almeno 9 mm).
- Stendere uno strato sottile di oliorefrigerante sul tubo e collegare la superficie di appoggio prima di serrare il dado a cartella. Ⓐ (Fig.4-1)
- Serrare i raccordi dei tubi usando due chiavi. Ⓑ (Fig.4-1)
- Una volta terminato il collegamento, usare un rivelatore di perdite di gas od una soluzione di acqua e sapone per controllare la presenza di eventuali perdite di gas.
- Applicare olio adatto alle macchine di refrigerazione sull'intera superficie di alloggiamento svasata. Ⓒ (Fig.4-1)
- Utilizzare i dadi a cartella per le seguenti dimensioni di tubazioni. Ⓓ (Fig.4-1)

		RP50	RP60,71	RP100-140
Lato gas	Dimensioni tubo (mm)	ø12,7	ø15,88	ø15,88
Lato liquidi	Dimensioni tubo (mm)	ø6,35	ø9,52	ø9,52

- Nel caso si dovessero piegare i tubi, fare attenzione a non romperli. I raggi di piegatura compresi tra 100 mm e 150 mm sono sufficienti.
- Accertarsi che i tubi non vengano a contatto con il compressore. Possibili conseguenze sono una rumorosità anomala e vibrazioni.

① Collegare i tubi partendo dall'unità interna.

Stringere le viti svasate con una chiave dinamometrica.

② Svasare i tubi del liquido e del gas ed applicare un sottile strato di olio di refrigerazione (da applicare in loco).

- Nel caso si utilizzi un sistema di sigillatura dei tubi tradizionale, per maggiori indicazioni sulla svasatura dei tubi del refrigerante R410A, vedere la tabella 1.

Il calibro di regolazione misura può essere utilizzato per confermare le misure B.

Tabella 1 (Fig. 4-2)

D.E. del tubo di rame (mm)	B (mm)	
	Attrezzo per raccordi a cartella per R410A	Attrezzo per raccordi a cartella per R22-R407C
Tipo a innesto		
ø6,35 (1/4")	0 - 0,5	1,0 - 1,5
ø9,52 (3/8")	0 - 0,5	1,0 - 1,5
ø12,7 (1/2")	0 - 0,5	1,0 - 1,5
ø15,88 (5/8")	0 - 0,5	1,0 - 1,5
ø19,05 (3/4")	0 - 0,5	1,0 - 1,5

③ Per il collegamento delle tubazioni lato gas, procedere nel modo seguente. (Fig. 4-3)

1 Brasare la tubazione lineare Ⓔ per l'unità esterna con materiale di brasatura da procurarsi e la tubazione locale Ⓒ senza ossigeno.

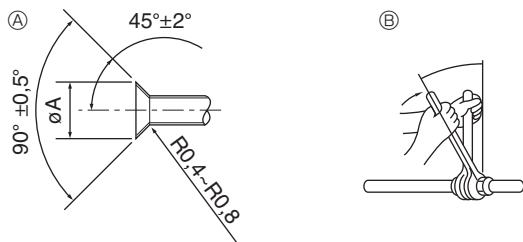
2 Collegare la tubazione lineare Ⓔ alla valvola di arresto lato gas. Serrare il dado svasato con due chiavi.

* Se si inverte l'ordine, si produce una perdita di refrigerante a causa dei danni provocati alla parte dalla fiamma di brasatura.

- Per PEA-RP200, 250, 400, 500GA

Il metodo di collegamento dei tubi è il collegamento a brasatura forte.

		PEA-200	PEA-250	PEA-400	PEA-500
Lato gas	Dimensioni tubo (mm)	ø25,4 (oppure ø28,58)			
Lato liquidi	Dimensioni tubo (mm)	ø9,52	ø12,7	ø9,52	ø12,7



- Ⓐ Dimensioni di taglio per raccordo a cartella
- Ⓑ Coppia di serraggio del dado a cartella

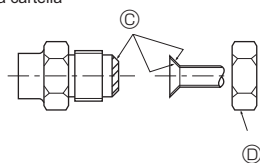


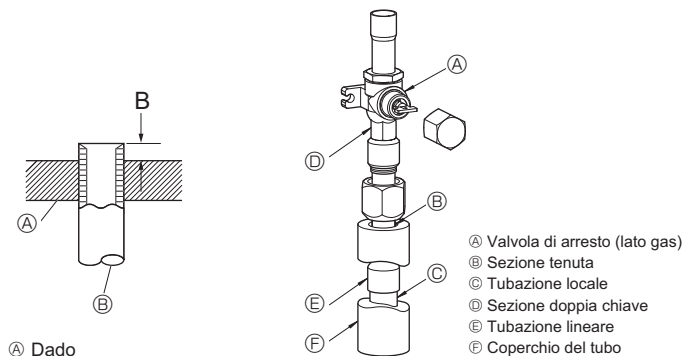
Fig. 4-1

Ⓐ (Fig. 4-1)

D.E. del tubo di rame (mm)	Dimensioni cartella dimensioni øA (mm)
ø6,35	8,7 - 9,1
ø9,52	12,8 - 13,2
ø12,7	16,2 - 16,6
ø15,88	19,3 - 19,7
ø19,05	23,6 - 24,0

Ⓑ (Fig. 4-1)

D.E. del tubo di rame (mm)	D.E. del dado a cartella (mm)	Coppia di serraggio (N·m)
ø6,35	17	14 - 18
ø6,35	22	34 - 42
ø9,52	22	34 - 42
ø12,7	26	49 - 61
ø12,7	29	68 - 82
ø15,88	29	68 - 82
ø15,88	36	100 - 120
ø19,05	36	100 - 120



- Ⓐ Dado
- Ⓑ Tubo di rame

Fig. 4-2

Fig. 4-3

4. Installazione della tubazione del refrigerante

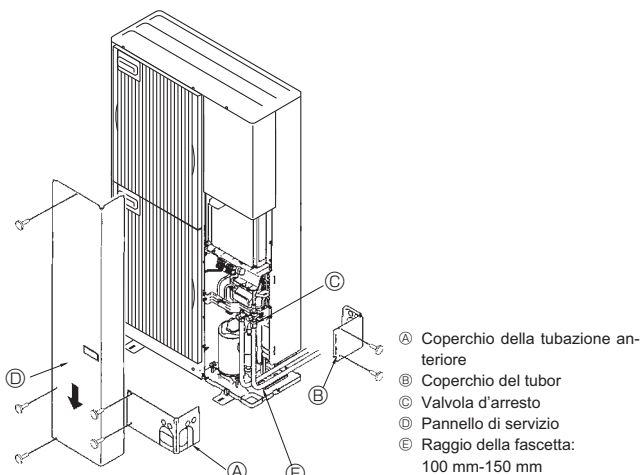


Fig. 4-4

- A Coperchio della tubazione anteriore
- B Coperchio del tubor
- C Valvola d'arresto
- D Pannello di servizio
- E Raggio della fascetta: 100 mm-150 mm

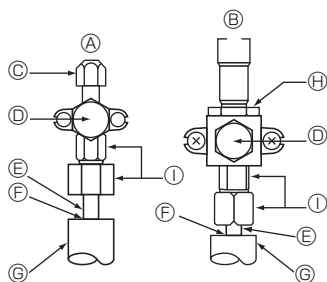


Fig. 4-5

- A Valvola di arresto <Lato liquido>
- B Valvola di arresto <Lato gas>
- C Attacco di servizio
- D Sezione Aperto/Chiuso
- E Tubazione locale
- F Sezione tenuta (Sigillare l'estremità del materiale isolante termico nel punto di collegamento delle tubazioni con qualsiasi materiale sigillante a disposizione, in modo che l'acqua non s'infiltri nel materiale termico isolante.)
- G Coperchio del tubo
- H Non utilizzare chiavi in questo punto. Potrebbero prodursi perdite di refrigerante.
- I Sezione doppia chiave (Non utilizzare una chiave se non in questo punto. Potrebbero verificarsi perdite di refrigerante.)

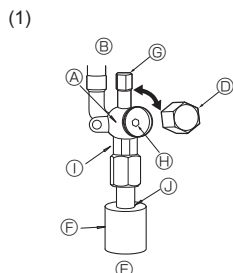


Fig. 4-6

- A Valvola
- B Lato unità
- C Sezione funzionamento
- D Cappuccio
- E Lato tubazione locale
- F Coperchio della tubazione
- G Attacco di servizio
- H Foro per la chiave

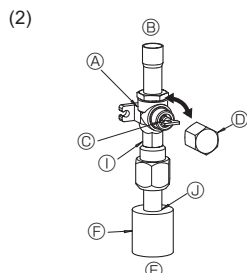


Fig. 4-7

- I Sezione doppia chiave (Non utilizzare una chiave se non in questo punto. Potrebbero verificarsi perdite di refrigerante.)
- J Sezione tenuta (Sigillare l'estremità del materiale isolante termico nel punto di collegamento delle tubazioni con qualsiasi materiale sigillante a disposizione, in modo che l'acqua non s'infiltri nel materiale termico isolante.)

4.3. Tubazione del refrigerante (Fig. 4-4)

Rimuovere il pannello di servizio (3 viti) e il coperchio della tubazione anteriore (2 viti) e il coperchio della tubazione posteriore (2 viti).

1 Eseguire i collegamenti delle tubazioni refrigerante per l'unità interna/esterna quando la valvola d'arresto dell'unità esterna è completamente chiusa.

2 Vuotare l'aria dalla sezione interna e dalla tubazione di collegamento.

3 Dopo aver collegato i tubi del refrigerante, controllare gli altri tubi collegati e l'unità interna per verificare la presenza di eventuali perdite di gas. (Consultare il punto 4.4 Tubo del refrigerante e metodo di verifica tenuta.)

4 Una pompa a vuoto ad elevate prestazioni è usata all'apertura di servizio della valvola di arresto per mantenere il vuoto per un tempo adeguato (almeno 1 ora dopo aver raggiunto -101 kPa (5 Torr)) al fine di asciugare a vuoto l'interno dei tubi. Controllare sempre il grado di vuoto presso il collettore strumenti. Nel caso sia rimasta umidità nel tubo, il grado di vuoto talvolta non è raggiunto applicando il vuoto per breve tempo.

Dopo l'asciugatura a vuoto, aprire completamente le valvole di arresto (liquido e gas) per l'unità esterna. Questo permette di collegare completamente le linee refrigeranti interna ed esterna.

• Se l'asciugatura a vuoto non è adeguata, all'interno delle linee potrebbero rimanere aria e vapore acqueo con la possibile conseguenza di un aumento anomalo dell'alta pressione, un abbassamento anomalo della bassa pressione, un deterioramento dell'olio refrigerante a causa dell'umidità, ecc.

• Lasciando chiuse le valvole di arresto e mettendo in funzione l'unità, si rischia di danneggiare il compressore e le valvole di controllo.

• Utilizzare un rilevatore di perdite o acqua saponata per verificare la presenza di eventuali perdite di gas nelle sezioni di giunzione dei tubi dell'unità esterna.

• Non utilizzare il refrigerante dell'unità per spurgare l'aria dai tubi del refrigerante.

• Terminato il lavoro con le valvole, stringere i cappucci delle valvole con la coppia di serraggio corretta: da 20 a 25 N·m (da 200 a 250 kgf·cm).

Se i cappucci non vengono sostituiti o stretti come previsto, si possono verificare perdite di refrigerante. Inoltre, non danneggiare la parte interna dei cappucci in quanto essi fungono da tenuta per prevenire eventuali perdite di refrigerante.

5 Utilizzare il sigillante per sigillare le estremità dell'isolamento termico attorno alle sezioni di giunzione dei tubi per prevenire la penetrazione dell'acqua nell'isolamento termico.

4.4. Tubo del refrigerante e metodo di verifica tenuta (Fig. 4-5)

(1) Collegare gli strumenti di verifica.

• Accertarsi che le valvole di arresto (A) e (B) siano chiuse e non aprirle.

• Aggiungere pressione alle linee del refrigerante attraverso il punto per interventi di servizio (C) della valvola di arresto del liquido (A).

(2) Aggiungere gradualmente la pressione alla pressione specificata.

1 Pressurizzare a 0,5 MPa (5 kgf/cm²G), attendere 5 minuti ed accertarsi che la pressione non scenda.

2 Pressurizzare a 1,5 MPa (15 kgf/cm²G), attendere 5 minuti ed accertarsi che la pressione non scenda.

3 Pressurizzare a 4,15 MPa (41,5 kgf/cm²G), attendere cinque minuti e misurare la temperatura circostante e la pressione del refrigerante.

(3) Se la pressione specificata viene mantenuta per circa un giorno senza diminuire, significa che i tubi hanno superato la prova e non ci sono perdite.

• Se la temperatura circostante cambia di 1 °C, la pressione tende a cambiare di circa 0,03 MPa (0,3 kgf/cm²G). Apportare le modifiche necessarie.

(4) Un calo di pressione nelle fasi (2) o (3) indica una perdita di gas. Cercare le cause della perdita.

4.5. Metodo di apertura della valvola di arresto

La modalità di aperture della valvola di arresto varia a seconda del modello dell'unità esterna. Utilizzare la modalità corretta per aprire le valvole di arresto.

(1) Lato liquido della valvola di arresto (Fig. 4-6)

1 Togliere il cappuccio e girare fino a quando è possibile l'asta della valvola in senso antiorario utilizzando una chiave esagonale du 4 mm. Smettere di girare quando si urta l'otturatore. (circa 10 giri)

2 Assicurarsi che la valvola d'arresto sia completamente aperta e riportare il cappuccio alla posizione originale.

(2) Lato gas della valvola di arresto (Fig. 4-7)

1 Rimuovere il cappuccio, tirare la maniglia verso di sé e ruotare di 1/4 di giro in senso antiorario per aprire.

2 Assicurarsi che la valvola di arresto sia completamente aperta, spingere la maniglia e ruotare il cappuccio riportandolo nella posizione iniziale.

I tubi del refrigerante sono avvolti in materiale protettivo

• I tubi possono essere avvolti in un materiale protettivo fino ad un diametro di ø90 prima e dopo la connessione. Tagliare il foro di uscita nel coperchio del tubo dopo il solco ed avvolgere i tubi.

Spazio attorno alla bocca di ingresso dei tubi

• Con del sigillante o del mastice sigillare la bocca di ingresso dei tubi in modo da non far rimanere nessuno spazio libero.

(La mancata chiusura degli spazi liberi può essere causa di rumorosità o perdite di acqua, nonché consentire la penetrazione dell'acqua con conseguenti guasti all'impianto.)

Precauzioni per l'utilizzo della valvola di caricamento (Fig. 4-8)

Non stringere eccessivamente l'apertura di servizio al momento dell'installazione, altrimenti il nucleo della valvola può deformarsi ed allentarsi, con il rischio di perdite di gas.

Dopo aver posizionato la parte (B) nella direzione desiderata, ruotare unicamente la parte (A) e serrarla.

Dopo aver serrato la parte (A), non serrare ulteriormente le parti (A) e (B) l'una con l'altra.

⚠ Avvertenza:

Al momento dell'installazione dell'unità, collegare saldamente i tubi del refrigerante prima di azionare il compressore.

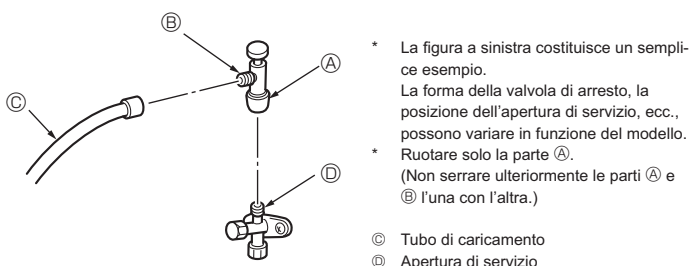


Fig. 4-8

- * La figura a sinistra costituisce un semplice esempio. La forma della valvola di arresto, la posizione dell'apertura di servizio, ecc., possono variare in funzione del modello.
- * Ruotare solo la parte (A). (Non serrare ulteriormente le parti (A) e (B) l'una con l'altra.)

- C Tubo di caricamento
- D Apertura di servizio

4. Installazione della tubazione del refrigerante

4.6. Aggiunta di refrigerante

- Un carico aggiuntivo di refrigerante non è necessario se la lunghezza del tubo non supera 30 m.
 - Se la lunghezza del tubo viene superata, caricare l'unità con altro refrigerante R410A in base alle lunghezze dei tubi ammesse indicate nella tabella in basso.
 - Quando l'unità è ferma, caricare l'unità con altro refrigerante attraverso la valvola di arresto del liquido dopo aver creato il vuoto nei tubi di prolunga e nell'unità interna.
- Quando l'unità è in funzione, aggiungere il refrigerante alla valvola di controllo del gas utilizzando un caricatore di sicurezza. Non aggiungere il refrigerante liquido direttamente alla valvola di controllo.

- Dopo aver caricato il refrigerante nell'unità, annotare la quantità di refrigerante aggiunta sull'etichetta di servizio (applicata sull'unità). Per maggiori informazioni, vedere "1.5. Utilizzo dei condizionatori caricati con refrigerante R410A".
- Durante l'installazione di unità multiple, prestare estrema attenzione. Il collegamento ad un'unità interna sbagliata può causare un aumento anomalo della pressione, con gravi effetti sulle prestazioni dell'impianto.

Modello	Lunghezza del tubo consentita	Differenza verticale consentita	Quantità di caricamento di refrigerante supplementare			
			31 - 40 m	41 - 50 m	51 - 60 m	61 - 70 m
P200	70 m	30 m	0,9 kg	1,8 kg	2,7 kg	3,6 kg
P250			1,2 kg	2,4 kg	3,6 kg	4,8 kg

4.7. Per combinazione doppia/tripla/quadrupla (Fig. 4-9)

- Quando l'unità viene utilizzata come sistema MULTI SPLIT, installare la tubazione del refrigerante attenendosi alle limitazioni indicate nell'illustrazione a sinistra. Inoltre, se tali limitazioni verranno superate, o nel caso di combinazioni di unità interne ed esterne, fare riferimento alle istruzioni per l'installazione dell'unità interna per informazioni dettagliate sull'installazione.

Unità esterna	Lunghezza totale tubazione consentita A+B+C+D+E	Caricamento-meno lunghezza tubazione A+B+C+D+E
P200 P250	70 m e meno	30 m e meno
Unità esterna	B-C oppure B-D oppure B-E oppure C-D oppure C-E oppure D-E	Numero di pieghe
P200 P250	8 m e meno	Max. 15

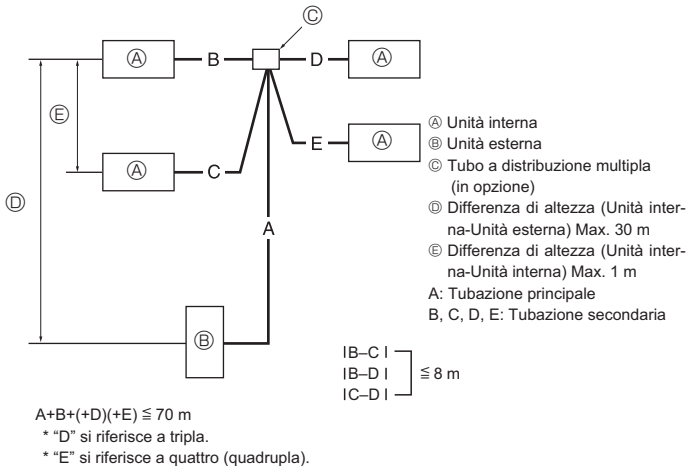


Fig. 4-9

5. Installazione della tubazione di drenaggio

Collegamento del tubo di drenaggio della sezione esterna

Se è necessario eseguire la tubazione di drenaggio, utilizzare il tubo o la vaschetta di drenaggio (in opzione).

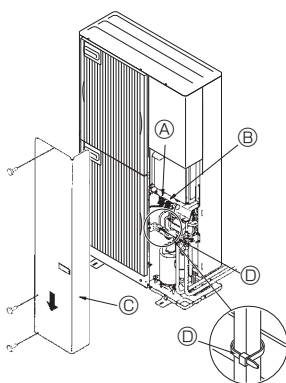
Tubo di drenaggio	PAC-SG61DS-E
Vaschetta di drenaggio	PAC-SG64DP-E

6. Collegamenti elettrici

6.1. Unità esterna (Fig. 6-1, Fig. 6-2)

- Rimuovere il pannello di servizio.
- Posizionare i cavi secondo la Fig. 6-1 e la Fig. 6-2.

Nota: Se il foglio di protezione della scatola dei componenti elettrici viene rimosso durante la manutenzione, accertarsi di ricollocarlo al suo posto.



- Ⓐ Blocco terminale alimentazione (L1, L2, L3, N, Ⓞ)
- Ⓑ Blocco terminale collegamento unità interna/esterna (S1, S2, S3)
- Ⓒ Pannello di servizio
- Ⓓ Fascetta serracavi

* Fissare i cavi in modo che non tocchino il centro del pannello di servizio o la valvola del gas.

⚠ Cautela:
Assicurarsi di installare la linea N. Senza la linea N, potrebbero verificarsi danni all'unità.

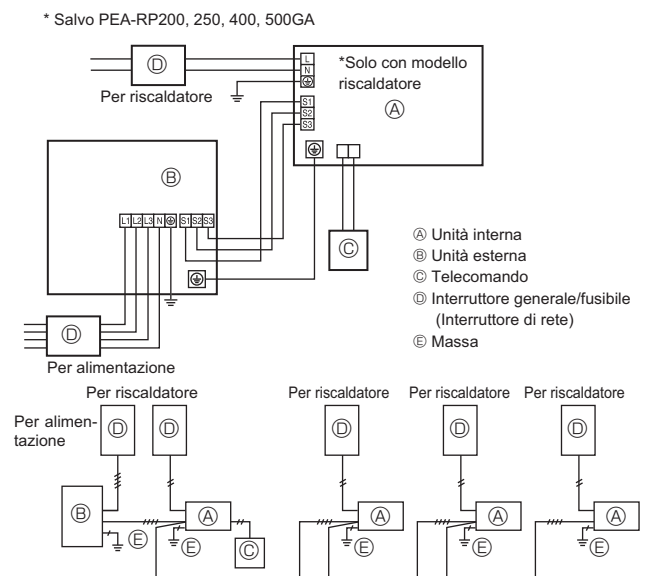
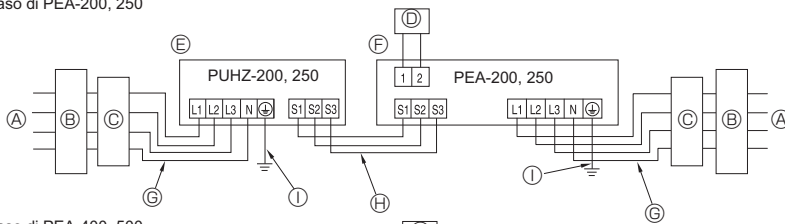


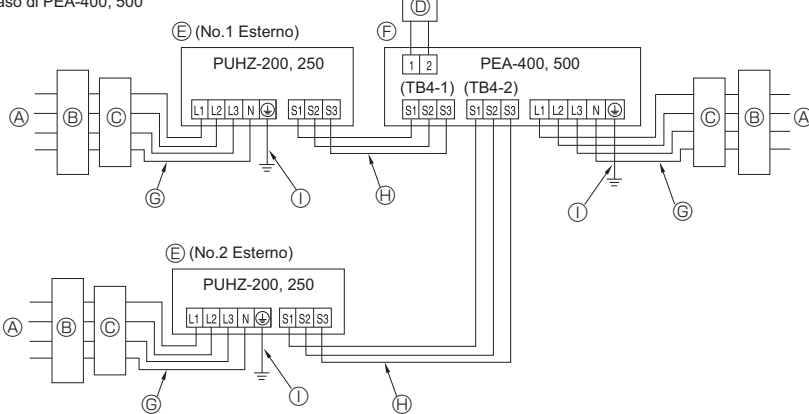
Fig. 6-1

6. Collegamenti elettrici

* In caso di PEA-200, 250

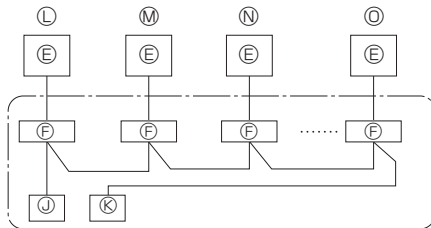


* In caso di PEA-400, 500



- Ⓐ Alimentazione
- Ⓑ Interruttore delle perdite a terra
- Ⓒ Interruttore di circuito o interruttore locale
- Ⓓ Comando a distanza LCD
- Ⓔ Unità esterna
- Ⓕ Unità interna
- Ⓖ Cablaggio del cavo di alimentazione
- Ⓗ Cablaggio di collegamento interno/esterno
- Ⓘ Messa a terra
- Ⓛ Comando a distanza principale
- Ⓜ Comando a distanza secondario
- Ⓝ Standard (Indirizzo refrigerante = 00)
- Ⓞ Indirizzo refrigerante = 01
- Ⓟ Indirizzo refrigerante = 02
- Ⓠ Indirizzo refrigerante = 03
- Ⓡ Indirizzo refrigerante = 14
- Ⓢ Indirizzo refrigerante = 15

* In caso di PEA-200, 250



* In caso di PEA-400, 500

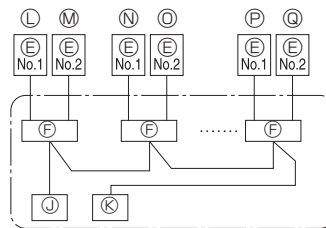


Fig. 6-2

6.2. Collegamenti elettrici locali

Modello unità esterna		P200, 250	
Sezione esterna Alimentazione		Fase	3N-(3 fasi, 4 fili), 50 Hz,
		Frequenza e tensione	400 V
Capacità di ingresso unità esterna			
Interruttore principale (Interruttore di rete)		*1	32 A
Cablaggi N. filo × dimensione (mm ²)	Sezione esterna alimentazione		5 × Min. 4
	Sezione interna-Sezione esterna	*2	Lunghezza del cavo 50 m : 3 × 4 (Polarità)/Lunghezza del cavo 80 m : 3 × 6 (Polarità)
	Messa a terra Sezione interna-Sezione esterna		1 × Min. 2,5
Collegamento comando a distanza/sezione interna		*3	2 × 0,3 (Senza polarità)
Capacità circuito	Sezione esterna L1-N, L2-N, L3-N		AC 230 V
	Sezione interna-Sezione esterna S1-S2	*4	AC 230 V
	Sezione interna-Sezione esterna S2-S3	*4	DC 24 V
	Collegamento comando a distanza/sezione interna	*4	DC 12 V

*1. Utilizzare un interruttore automatico del circuito di dispersione a terra (NV) con una separazione dei contatti di almeno 3 mm in ogni polo.

*2. Lunghezza massima: 80 m. La lunghezza massima complessiva, compresi tutti i collegamenti interni/esterni, è di 80 m.

• Utilizzare un cavo per S1 e S2 e l'altro cavo per S3, come mostrato nella figura.

• Max. 50 m Totale Max. per PEA. Dimensioni di cablaggio 3 x 1,5 (Polarità).

*3. Collegare un cavo da 10 m al controllore remoto.

*4. La tensione NON è in riferimento alla messa a terra.

La differenza di potenziale tra il terminale S3 e il terminale S2 è DC24V. Il collegamento tra i terminali S3 e S1 non è isolato elettricamente dal trasformatore o da altri dispositivi.

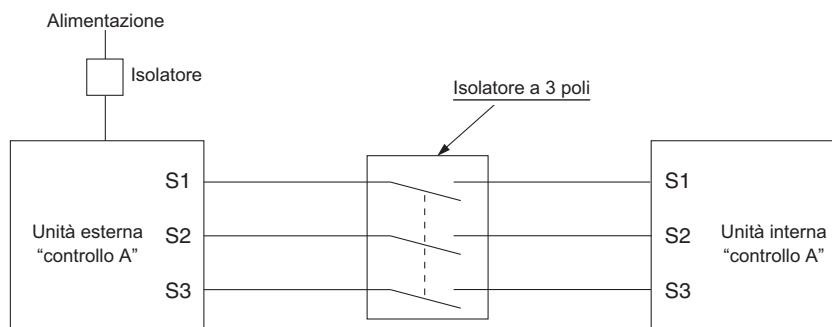


Note: 1. I collegamenti elettrici devono rispettare le pertinenti norme locali e nazionali.

2. I cavi di alimentazione e di collegamento della sezione interna/esterna non devono essere più leggeri dei cavi flessibili rivestiti di policloroprene (modello 60245 IEC 57).

3. Utilizzare un filo di messa a terra più lungo degli altri cavi, in modo che non si scolleghi quando viene messo in tensione.

Non giuntare mai il cavo dell'alimentazione o il cavo di collegamento interno-esterno, diversamente ciò potrebbe essere causa di fumo, incendio o mancato collegamento.







6. Collegamenti elettrici

⚠ Avvertenza:

Per i cavi di comando A, esiste un potenziale di alta tensione sul terminale S3, dovuto alla tipologia del circuito elettrico, che non dispone di isolamento elettrico tra la linea di alimentazione e la linea del segnale di comunicazione. Pertanto, quando si esegue la manutenzione, disinserire l'alimentazione principale. Inoltre, non toccare i terminali S1, S2, S3 quando è inserita l'alimentazione. Qualora sia necessario utilizzare un isolatore tra l'unità interna e l'unità esterna, utilizzare un isolatore di tipo a 3 poli.

SPECIFICHE COLLEGAMENTI ELETTRICI PER 220-240 V 50 Hz (CAVO DI COLLEGAMENTO SEZIONE INTERNA/ESTERNA)

Sezione trasversale cavo	Dimensione cavo (mm ²)	Numero di cavi	Polarità	L (m)*6
Tonda 	2,5	3	Senso orario : S1-S2-S3 * Fare attenzione alla striscia gialla e verde	(30) *2
Piatta 	2,5	3	Non disponibile (Il conduttore centrale non è provvisto di guaina protettiva)	Non disponibile *5
Piatta 	1,5	4	Da sinistra a destra : S1-Aperto-S2-S3	(18) *3
Tonda 	2,5	4	Senso orario : S1-S2-S3-Aperto * Collegare S1 e S3 all'angolo opposto	(30) *4

*1: I cavi di alimentazione delle apparecchiature elettriche non devono essere più leggeri dei cavi 60245 IEC o 227 IEC.

*2: Se il cavo con la striscia gialla e verde è disponibile.

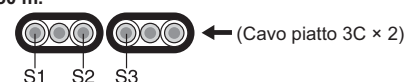
*3: In caso di collegamento con polarità normale (S1-S2-S3), la dimensione del cavo è 1,5 mm².

*4: In caso di collegamento con polarità normale (S1-S2-S3).

*5: Se i cavi piatti sono collegati come mostrato in figura, possono essere utilizzati per una lunghezza massima di 30 m.

*6: La lunghezza del cavo indicata è solo un valore di riferimento.

Potrebbe essere diversa a seconda delle condizioni di installazione, umidità, materiali, ecc.



Assicurarsi di collegare i cavi di collegamento esterni-interni direttamente alle unità (senza collegamenti intermedi).

I collegamenti intermedi possono provocare errori di comunicazione se dell'acqua penetra nei cavi e causare un insufficiente isolamento a terra o uno scarso contatto elettrico nel punto di collegamento intermedio.

7. Prova di funzionamento

7.1. Operazioni preliminari alla prova di funzionamento

▶ Dopo aver completato l'installazione, i collegamenti elettrici e le tubazioni delle sezioni interne ed esterne, verificare l'assenza di perdite di refrigerante, allentamenti dei cavi di alimentazione o di comando, errori di polarità e scollegamenti di una fase dell'alimentazione elettrica.

▶ Controllare, mediante un megaohmmetro da 500 volt, se la resistenza fra i morsetti dell'alimentazione e la massa è di almeno 1,0 MΩ.

▶ Non eseguire questa prova sui morsetti del cablaggio di controllo (circuito a bassa tensione).

⚠ Avvertenza:

Non avviare il condizionatore d'aria se la resistenza dell'isolamento è inferiore a 1,0 MΩ.

Resistenza d'isolamento

Terminata l'installazione o dopo aver staccato l'alimentazione dell'unità per un periodo prolungato, la resistenza d'isolamento scende ad un valore inferiore a 1 MΩ a causa dell'accumulo di refrigerante nel compressore. Non si tratta di un'anomalia. Procedere nel seguente modo.

1. Staccare i cavi dal compressore e misurare la resistenza d'isolamento del compressore.
2. Se la resistenza d'isolamento risulta inferiore a 1 MΩ, significa che il compressore è difettoso o che la resistenza è scesa a causa di un accumulo di refrigerante nel compressore.
3. Dopo aver collegato i cavi al compressore, quest'ultimo inizia a riscaldarsi una volta attivata l'alimentazione. Dopo aver erogato la corrente di alimentazione per gli intervalli indicati di seguito, misurare nuovamente la resistenza d'isolamento.

- La resistenza d'isolamento scende a causa di un accumulo di refrigerante nel compressore. La resistenza sale oltre 1 MΩ dopo che il compressore è stato riscaldato per 4 ore. (Il tempo necessario per riscaldare il compressore varia in base alle condizioni atmosferiche e all'accumulo di refrigerante).
 - Per far funzionare il compressore con il refrigerante accumulato nel compressore e per evitare possibili guasti, quest'ultimo deve essere riscaldato per almeno 12 ore.
4. Se la resistenza d'isolamento sale oltre 1 MΩ, il compressore non è difettoso.

⚠ Cautela:

- Il compressore non si avvierà se la connessione della fase di alimentazione non è corretta.
- Accendere l'interruttore di alimentazione principale almeno dodici ore prima dell'avvio dell'unità.
- Un immediato avvio dell'unità dopo l'accensione di questo interruttore può danneggiare le parti interne della stessa. Tenere acceso l'interruttore di alimentazione principale durante la stagione di funzionamento.

▶ Controllare anche i seguenti punti.

- L'unità esterna non è difettosa. I LED1 e LED2 sul pannello di comando dell'unità esterna lampeggiano quando l'unità esterna è difettosa.
- Le valvole di arresto del gas e del liquido sono completamente aperte.
- Una pellicola protettiva copre la superficie del pannello dei dip switch sul pannello di comando dell'unità interna. Togliere la pellicola protettiva per poter agire facilmente sui dip switch.

7.2. Prova di funzionamento

7.2.1. Uso dell'SW4 nell'unità esterna

SW4-1	ON	Funzionamento del raffreddamento
SW4-2	OFF	
SW4-1	ON	Funzionamento del riscaldamento
SW4-2	ON	

- * Dopo aver eseguito la prova di funzionamento, portare SW4-1 su OFF.
- * Dopo aver alimentato la corrente, si potrebbe sentire un piccolo rumore di scatto dall'interno dell'unità esterna. La valvola di espansione elettronica si sta aprendo e chiudendo. L'unità non è difettosa.

- Alcuni secondi dopo l'avvio del compressore, si potrebbe sentire un rumore sferragliante dall'interno dell'unità esterna. Questo rumore viene prodotto dalla valvola di controllo a causa della piccola differenza di pressione nei tubi. L'unità non è difettosa.

La modalità di esecuzione del ciclo di prova non può essere modificata dal dip switch SW4-2 durante il ciclo di prova. (Per modificare la modalità di esecuzione del ciclo di prova durante il ciclo stesso, fermare il ciclo di prova con il dip switch SW4-1. Dopo aver modificato la modalità di esecuzione del ciclo di prova, riprendere il ciclo di prova azionando lo switch SW4-1).

7.2.2. Uso del comando a distanza

Fare riferimento al manuale d'installazione dell'unità esterna.

8. Funzioni speciali

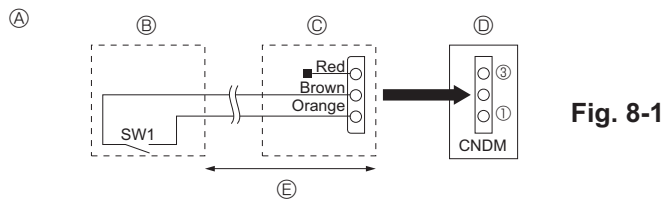


Fig. 8-1

- A) Esempio di schema del circuito (modalità bassa rumorosità)
 B) Disposizione in loco
 C) Adattatore di input esterno (PAC-SC36NA)
 D) Pannello di comando dell'unità esterna
 E) Max. 10 m

8.1. Modalità bassa rumorosità (modifica in loco) (Fig. 8-1)

Eseguendo la seguente modifica, la rumorosità dell'unità esterna può essere ridotta di circa 3-4 dB.

La modalità a bassa rumorosità viene attivata aggiungendo un timer disponibile in commercio o un'entrata di contatto di un interruttore ON/OFF sul connettore CNDM (optional) sul pannello di comando dell'unità esterna.

- La capacità dipende dalla temperatura e dalle condizioni esterne, ecc.
- ① Completare il circuito come illustrato utilizzando l'adattatore di entrata esterno (PAC-SC36NA) (optional).
- ② SW1 ON: Modalità bassa rumorosità
SW1 OFF: Funzionamento normalen

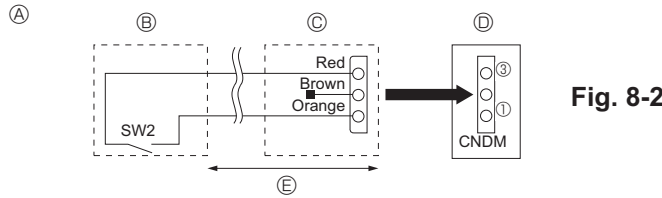


Fig. 8-2

- A) Esempio di schema del circuito (Funzione a richiesta)
 B) Disposizione in loco
 C) Adattatore di input esterno (PAC-SC36NA)
 D) Pannello di comando dell'unità esterna
 E) Max. 10 m

8.2. Funzione a richiesta (modifica in loco) (Fig. 8-2)

Con la seguente modifica, è possibile ridurre il consumo di energia a 0-100% rispetto al consumo normale.

La funzione a richiesta verrà attivata quando un timer disponibile in commercio o l'ingresso di contatto di uno switch ON/OFF viene aggiunto al connettore CNDM (opzionale) sulla scheda di controllo dell'unità esterna.

- ① Completare il circuito come illustrato utilizzando l'adattatore di entrata esterno (PAC-SC36NA) (optional).
- ② Impostando SW7-1 e SW7-2 sulla scheda di controllo dell'unità esterna, il consumo di energia può essere limitato (rispetto al consumo normale) come indicato qui di seguito.

SW7-1	SW7-2	Consumo di energia (SW2 ON)
OFF	OFF	0% (Stop)
ON	OFF	50%
OFF	ON	75%

8.3. Recupero del refrigerante (Pompaggio)

Eseguire le seguenti procedure per recuperare il refrigerante nel caso si spostino l'unità interna o quella esterna.

- Alimentare l'impianto (interruttore automatico).
 - * Quando l'impianto viene alimentato, accertare che il messaggio "CENTRALLY CONTROLLED" non sia visualizzato sul telecomando. Se il messaggio "CENTRALLY CONTROLLED" fosse visualizzato, il recupero del refrigerante non può essere eseguito normalmente.
 - * La comunicazione tra unità interna ed esterna si avvia circa 3 minuti dopo l'accensione (interruttore di circuito). Avviare il pompaggio 3 o 4 minuti dopo l'accensione (interruttore di circuito su ON).
- Una volta che la valvola di arresto del liquido si chiude, impostare lo switch SWP sul pannello di comando dell'unità esterna su ON. Il compressore (unità esterna) e i ventilatori (unità interna ed esterna) iniziano a funzionare e la fase di recupero del refrigerante comincia. I LED1 e LED2 sul pannello di comando dell'unità esterna sono accesi.
 - * Mettere l'interruttore SWP (a pulsante) su ON soltanto se l'unità è spenta. Tuttavia, anche se l'unità è spenta e si mette l'interruttore SWP su ON meno di 3 minuti dopo l'arresto del compressore, sarà impossibile eseguire il recupero del refrigerante. Attendere che il compressore si sia fermato per 3 minuti, quindi mettere l'interruttore SWP di nuovo su ON.

- Poiché l'unità si arresta automaticamente circa 2 o 3 minuti dopo il recupero del refrigerante (LED1 spento, LED2 acceso), chiudere velocemente la valvola di arresto del gas. Se il LED1 è acceso e il LED2 è spento e l'unità esterna si è arrestata, l'operazione di recupero refrigerante non si è svolta correttamente. Aprire completamente la valvola di arresto del liquido, quindi, trascorsi 3 minuti, ripetere le operazioni indicate al punto ②.

* Se il recupero del refrigerante è stato eseguito normalmente (LED1 spento, LED2 acceso), l'unità rimane spenta finché l'alimentazione è scollegata.

- Scollegare l'alimentazione (interruttore di circuito).

* Tenere presente che quando i tubi di prolunga sono molto lunghi e vi è una grande quantità di refrigerante, può accadere che non si riesca ad eseguire l'operazione di pompaggio. Durante l'operazione di pompaggio, accertarsi che la bassa pressione venga ridotta fino a raggiungere quasi 0 MPa (manometro).

⚠ Avvertenza:

Quando si esegue il pompaggio del refrigerante, arrestare il compressore prima di scollegare i tubi del refrigerante. In caso di penetrazione di aria, ecc., il compressore potrebbe infatti esplodere.

9. Controllo del sistema (Fig. 9-1)

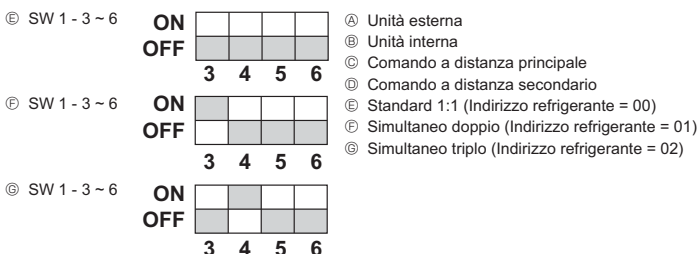


Fig. 9-1

* Impostare l'indirizzo refrigerante usando l'interruttore DIP dell'unità esterna.

- Collegamento dal comando a distanza

Questo filo è collegato a TB5 (blocco terminali per comando a distanza) dell'unità interna (non polare).

- Quando si usano diversi raggruppamenti di sistema refrigerante.

Si possono controllare come gruppo unico fino a 16 sistemi refrigerante usando il comando a distanza Slim MA.

Nota:

In un sistema con un unico refrigerante (doppio/triplo), non occorre il cablaggio ②.

SW1
 Tabella delle
 funzioni
 <SW1>



Funzione	Funzionamento secondo l'impostazione dell'interruttore	
	ON	OFF
1 Sbrinamento obbligatorio	Avvio	Normale
2 Azzeramento cronistoria errore	Azzeramento	Normale
3 Impostazione indirizzo sistema refrigerante	Impostazioni per gli indirizzi unità esterna da 0 a 15	

Περιεχόμενα

1. Προφυλακτικά Μέτρα Ασφαλείας	56
2. Χώρος εγκατάστασης	57
3. Εγκατάσταση της εξωτερικής μονάδας	58
4. Εγκατάσταση της σωλήνωσης ψυκτικού υγρού	59
5. Εργασίες Σωληνώσεων Αποχέυσης	61

6. Ηλεκτρικές εργασίες	61
7. Δοκιμαστική λειτουργία	63
8. Ειδικές λειτουργίες	64
9. Έλεγχος συστήματος (Fig. 9-1)	64

1. Προφυλακτικά Μέτρα Ασφαλείας

- ▶ Πριν κάνετε την εγκατάσταση της μονάδας, βεβαιωθείτε ότι διαβάσατε όλα τα “Προφυλακτικά Μέτρα Ασφαλείας”.
- ▶ Πριν κάνετε τη σύνδεση στο σύστημα, παρακαλούμε να αναφέρετε ή να ζητήσετε επιβεβαίωση από τον αρμόδιο οργανισμό ανεφοδιασμού.
- ▶ “Ο παρών εξοπλισμός συμμορφώνεται προς το πρότυπο IEC 61000-3-12 υπό την προϋπόθεση ότι το S_{sc} της ισχύος βραχυκύκλωσης είναι μεγαλύτερο ή ίσο με το S_{sc} (*1) του σημείου διαπαφής της παροχής του χρήστη και του δημόσιου δικτύου. Είναι ευθύνη του εγκαταστάτη ή του χρήστη να διασφαλίσει, σε συνεργασία με την επιχείρηση εκμετάλλευσης του δικτύου διανομής εάν χρειαστεί, ότι ο εξοπλισμός συνδέεται αποκλειστικά και μόνο με παροχή η οποία διαθέτει S_{sc} ισχύος βραχυκύκλωσης μεγαλύτερο ή ίσο με το S_{sc} (*1)”

S_{sc} (*1)

Μοντέλο	S_{sc} (MVA)
PUHZ-P200	1.35
PUHZ-P250	1.49

⚠ Προειδοποίηση:

- Η εγκατάσταση της μονάδας δεν πρέπει να γίνεται από το χρήστη. Ζητήστε από τον αντιπρόσωπο ή από εξουσιοδοτημένο τεχνικό να εγκαταστήσει την μονάδα. Αν η εγκατάσταση της μονάδας δεν γίνει σωστά, μπορεί να προκληθεί διαρροή νερού, ηλεκτροπληξία ή πυρκαγιά.
- Για τις εργασίες εγκατάστασης, ακολουθήστε τις οδηγίες που υπάρχουν στο Εγχειρίδιο Εγκατάστασης και χρησιμοποιήστε τα κατάλληλα εργαλεία και τα εξαρτήματα σωλήνων που είναι ειδικά κατασκευασμένα για χρήση με το ψυκτικό R410A. Το ψυκτικό R410A στο σύστημα HFC βρίσκεται υπό 1,6 φορές μεγαλύτερη πίεση από την πίεση των κοινών ψυκτικών. Αν χρησιμοποιηθούν εξαρτήματα σωλήνων που δεν προορίζονται για χρήση με το ψυκτικό R410A και η εγκατάσταση της μονάδας δεν γίνει σωστά, οι σωλήνες μπορεί να σπάσουν και να προκαλέσουν ζημιές ή τραυματισμούς. Επίσης, μπορεί να προκληθεί διαρροή νερού, ηλεκτροπληξία ή πυρκαγιά.
- Η εγκατάσταση της μονάδας πρέπει να γίνει σύμφωνα με τις οδηγίες προκειμένου να ελαχιστοποιηθεί ο κίνδυνος ζημιών από σεισμούς, τυφώνες ή δυνατούς ανέμους. Όταν η μονάδα δεν είναι σωστά εγκατεστημένη, μπορεί να πέσει και να προκαλέσει ζημιά ή τραυματισμό.
- Η μονάδα πρέπει να εγκατασταθεί και να στερεωθεί καλά σε μια επιφάνεια που μπορεί να αντέξει το βάρος της. Αν η μονάδα τοποθετηθεί σε ασταθή επιφάνεια, μπορεί να πέσει και να προκαλέσει τραυματισμούς.
- Αν το κλιματιστικό πρόκειται να εγκατασταθεί σε μικρό χώρο, πρέπει να ληφθούν μέτρα προκειμένου να αποτραπεί η συγκέντρωση ψυκτικού στο δωμάτιο επάνω από το όριο ασφαλείας σε περίπτωση που σημειωθεί διαρροή. Συμβουλευτείτε τον αντιπρόσωπο για τα κατάλληλα μέτρα που πρέπει να ληφθούν προκειμένου να αποτρέψετε την υπέρβαση των ορίων ασφαλείας όσον αφορά τη συγκέντρωση ψυκτικού. Αν σημειωθεί διαρροή ψυκτικού και υπέρβαση του ορίου συγκέντρωσης, υπάρχει σοβαρός κίνδυνος για την υγεία εξαιτίας της έλλειψης οξυγόνου στο δωμάτιο.
- Αερίστε το χώρο σε περίπτωση διαρροής ψυκτικού κατά τη λειτουργία της μονάδας. Αν το ψυκτικό έρθει σε επαφή με φλόγα, θα απελευθερωθούν δηλητηριώδη αέρια.
- Όλες οι ηλεκτρικές εργασίες πρέπει να εκτελούνται από εκπαιδευμένο τεχνικό και σύμφωνα με τους τοπικούς κανονισμούς και τις οδηγίες που δίνονται σε αυτό το εγχειρίδιο. Τα κλιματιστικά πρέπει να τροφοδοτούνται από ξεχωριστές γραμμές και να χρησιμοποιείται η σωστή τάση καθώς και οι κατάλληλοι ασφαλειοδιακόπτες. Οι γραμμές τροφοδοσίας με ανεπαρκή ισχύ ή οι εσφαλμένες ηλεκτρικές συνδέσεις μπορεί να προκαλέσουν ηλεκτροπληξία ή πυρκαγιά.
- Χρησιμοποιήστε φωσφορούχο κρατώρημα C1220 για τη σύνδεση των σωληνώσεων ψυκτικού, όταν έχετε χαλκοσώληνες και σωληνικές κράμμες χαλκού

1.1. Προετοιμασία για την εγκατάσταση

⚠ Προσοχή:

- Μην χρησιμοποιείτε τη μονάδα σε ασυνήθιστους χώρους. Αν το κλιματιστικό εγκατασταθεί σε χώρους όπου υπάρχουν ατμοί, πτητικό λάδι (συμπεριλαμβανομένων των λαδιών μηχανημάτων) ή θειικά αέρια, σε περιοχές όπου υπάρχει υψηλή περιεκτικότητα σε αλάτι όπως τα παράλια, ή σε χώρους όπου υπάρχει ενδεχόμενο η μονάδα να σκεπαστεί με χιόνι, η απόδοσή του μπορεί να μειωθεί σημαντικά και τα εσωτερικά του μέρη να καταστραφούν.
- Μην εγκαθιστάτε τη μονάδα σε σημεία όπου υπάρχει κίνδυνος διαρροής, απελευθέρωσης, κυκλοφορίας ή συγκέντρωσης εύφλεκτων αερίων. Αν γύρω από τη μονάδα συγκεντρωθούν εύφλεκτα αέρια, υπάρχει κίνδυνος πυρκαγιάς ή έκρηξης.
- Στην εξωτερική μονάδα δημιουργείται συμπύκνωση νερού κατά τη λειτουργία θέρμανσης. Φροντίστε για την αποστράγγιση του νερού που βγαίνει γύρω από την εξωτερική μονάδα εάν υπάρχει κίνδυνος να προκαλέσει ζημιές.

1.2. Προετοιμασία για την εγκατάσταση (μεταφορά)

⚠ Προσοχή:

- Να είστε ιδιαίτερα προσεκτικοί κατά την μεταφορά ή την εγκατάσταση των μονάδων. Για τη μεταφορά της μονάδας, η οποία ζυγίζει τουλάχιστον 20 kg, χρειάζονται 2 ή και περισσότερα άτομα. Μην τη σηκώνετε από τις ταινίες συσκευασίας. Να φοράτε προστατευτικά γάντια κατά την αφαίρεση της μονάδας από την συσκευασία και κατά την μεταφορά της, επειδή μπορεί να τραυματίσετε τα χέρια σας πάνω στα πτερύγιά ή στα άκρα άλλων εξαρτημάτων.
- Βεβαιωθείτε ότι τα υλικά συσκευασίας έχουν πεταχτεί σε ασφαλές μέρος. Τα υλικά συσκευασίας, όπως τα καρφιά και άλλα μεταλλικά ή ξύλινα μέρη, μπορεί να προκαλέσουν κοψίματα ή άλλους τραυματισμούς.

⚠ Προειδοποίηση:

Περιγράφει τα μέτρα ασφαλείας που πρέπει να λαμβάνονται για την πρόληψη του κινδύνου τραυματισμού ή και θανάτου του χρήστη.

⚠ Προσοχή:

Περιγράφει προφυλακτικά μέτρα που πρέπει να λαμβάνονται για να αποφευχθεί βλάβη στη μονάδα.

Αφού ολοκληρωθούν οι εργασίες για την εγκατάσταση, περιγράψτε στον πελάτη τα “Προφυλακτικά Μέτρα Ασφαλείας”, τη χρήση και τη συντήρηση της μονάδας σύμφωνα με τις πληροφορίες στο Εγχειρίδιο Λειτουργίας και εκτελέστε τη δοκιμαστική λειτουργία για να σιγουρευτείτε ότι η μονάδα λειτουργεί κανονικά. Το Εγχειρίδιο Εγκατάστασης και το Εγχειρίδιο Λειτουργίας πρέπει να δοθούν στο χρήστη για αναφορά. Τα εγχειρίδια αυτά πρέπει να δίνονται και στους επόμενους χρήστες της μονάδας.

⚠ : Δείχνει μέρος της συσκευής που πρέπει να γειώνεται.

⚠ Προειδοποίηση:

Διαβάστε προσεκτικά τις ετικέτες που είναι κολλημένες πάνω στην κύρια μονάδα.

χωρίς ενώσεις. Αν η σύνδεση των σωληνώσεων δεν γίνει σωστά, η μονάδα δεν θα είναι κατάλληλα γειωμένη και μπορεί να προκληθεί ηλεκτροπληξία.

- Χρησιμοποιείτε μόνο τα συνιστώμενα καλώδια για την καλωδίωση. Οι συνδέσεις της καλωδίωσης πρέπει να γίνονται σωστά χωρίς να ασκείται πίεση στις συνδέσεις των τερματικών. Επίσης, ποτέ μη συγκολλήσετε τα καλώδια για την καλωδίωση (εκτός αν αναφέρεται διαφορετικά σε αυτό το έγγραφο). Σε περίπτωση που δεν ακολουθήσετε αυτές τις οδηγίες μπορεί να προκληθεί υπερθέρμανση ή πυρκαγιά.
- Το κάλυμμα της πλακέτας ακροδεκτών της εξωτερικής μονάδας πρέπει να είναι καλά στερεωμένο στη θέση του.
- Αν το κάλυμμα δεν τοποθετηθεί σωστά και εισχωρήσει στη μονάδα σκόνη και υγρασία, μπορεί να προκληθεί ηλεκτροπληξία ή πυρκαγιά.
- Κατά την εγκατάσταση ή τη μετακίνηση του κλιματιστικού, χρησιμοποιείτε μόνο το συνιστώμενο ψυκτικό (R410A) για την πλήρωση των γραμμών ψυκτικού. Μην το αναμιγνύετε με άλλο ψυκτικό μέσο και μην αφήνετε τον αέρα να παραμείνει μέσα στις γραμμές.
- Εάν αναμιχθεί αέρας με το ψυκτικό, ενδέχεται να προκαλέσει ασυνήθιστα υψηλή πίεση στη γραμμή ψυκτικού, με ενδεχόμενο έκρηξης και άλλους κινδύνους. Η χρήση ψυκτικού διαφορετικού από αυτό που καθορίζεται για το σύστημα θα προκαλέσει μηχανική βλάβη ή δυσλειτουργία του συστήματος ή ζημιά στο σύστημα. Στη χειρότερη περίπτωση, μια τέτοια ενέργεια ενδέχεται να απονομείσει την ασφάλεια του προϊόντος.
- Χρησιμοποιείτε μόνο εγκεκριμένα εξαρτήματα από την Mitsubishi Electric και για την εγκατάστασή τους καλέστε τον αντιπρόσωπο ή εξουσιοδοτημένο τεχνικό. Αν τα εξαρτήματα δεν εγκατασταθούν σωστά, μπορεί να προκληθεί διαρροή νερού, ηλεκτροπληξία ή πυρκαγιά.
- Μην επιχειρήσετε να τροποποιήσετε τη μονάδα. Απευθυνθείτε στον αντιπρόσωπο για εργασίες επισκευής. Αν οι τροποποιήσεις ή οι επισκευές δεν εκτελεστούν σωστά, μπορεί να προκύψει διαρροή νερού, ηλεκτροπληξία ή πυρκαγιά.
- Ο χρήστης δεν πρέπει ποτέ να επιχειρήσει να επισκευάσει τη μονάδα ή να τη μεταφέρει σε άλλη θέση χωρίς τη βοήθεια ειδικού προσωπικού. Αν η μονάδα δεν εγκατασταθεί σωστά, μπορεί να προκληθεί διαρροή νερού, ηλεκτροπληξία ή πυρκαγιά. Αν το κλιματιστικό πρέπει να επισκευαστεί ή να μεταφερθεί, ζητήστε τη βοήθεια του αντιπροσώπου ή ενός εκπαιδευμένου τεχνικού.
- Αφού ολοκληρωθεί η εγκατάσταση, ελέγξτε για τυχόν διαρροές ψυκτικού. Αν υπάρχει διαρροή ψυκτικού στο δωμάτιο και έρθει σε επαφή με τη φλόγα μιας ηλεκτρικής θερμάστρας ή μιας φορητής εστίας μαγειρέματος, υπάρχει κίνδυνος να απελευθερωθούν δηλητηριώδη αέρια.

1. Προφυλακτικά Μέτρα Ασφαλείας

1.3. Προετοιμασία για τις ηλεκτρικές εργασίες

⚠ Προσοχή:

- Φροντίστε να τοποθετήσετε διακόπτες κυκλώματος. Διαφορετικά, μπορεί να προκληθεί ηλεκτροπληξία.
- Για τις γραμμές τροφοδοσίας, χρησιμοποιήστε καλώδια του εμπορίου επαρκούς ισχύος. Διαφορετικά, μπορεί να προκληθεί βραχυκύκλωμα, υπερθέρμανση ή πυρκαγιά.
- Όταν συνδέετε τις γραμμές τροφοδοσίας, μην τεντώνετε υπερβολικά τα καλώδια. Αν οι συνδέσεις χαλαρώσουν, τα καλώδια μπορεί να σπάσουν με συνέπεια να προκληθεί υπερθέρμανση ή πυρκαγιά.

1.4. Πριν τη δοκιμαστική λειτουργία

⚠ Προσοχή:

- Ανοίξτε τον κεντρικό διακόπτη τροφοδοσίας 12 ώρες τουλάχιστον πριν την έναρξη της λειτουργίας. Η έναρξη λειτουργίας της μονάδας αμέσως αφού ανοίξετε τον κεντρικό διακόπτη τροφοδοσίας μπορεί να προκαλέσει σοβαρή ζημιά στα εσωτερικά της μέρη. Μην κλείνετε τον κεντρικό διακόπτη τροφοδοσίας την περίοδο λειτουργίας του κλιματιστικού.
- Πριν την έναρξη της λειτουργίας, ελέγξτε ότι όλα τα πλαίσια, οι διατάξεις ασφαλείας και άλλα προστατευτικά μέρη είναι σωστά τοποθετημένα. Μέρη που περιστρέφονται, έχουν υψηλή θερμοκρασία ή υψηλή τάση μπορεί να προκαλέσουν τραυματισμούς.

1.5. Χρήση κλιματιστικών με ψυκτικό μέσο R410A

⚠ Προσοχή:

- Χρησιμοποιήστε καινούργιους σωλήνες ψυκτικού. Αν πρόκειται να χρησιμοποιήσετε ξανά παλιούς σωλήνες που περιείχαν ψυκτικό R22, προσέξτε το εξής:
 - Βεβαιωθείτε ότι καθαρίσατε τους σωλήνες και ότι το εσωτερικό τους είναι καθαρό.
 - Αντικαταστήστε τα παλιά περικόχλια εκκλιωσης και εκχειλώστε ξανά τα διαπλάτυσμένα τμήματα.
 - Μην χρησιμοποιείτε σωλήνες με πολύ μικρό πάχος. (Ανατρέξτε στη 4.1.)
- Χρησιμοποιήστε φωσφορούχο κρατέρωμα C1220 για τη σύνδεση των σωληνώσεων ψυκτικού, όταν έχετε χαλκοσωλήνες και σωλήνες κράματος χαλκού χωρίς ενώσεις. Βεβαιωθείτε ότι οι εσωτερικές επιφάνειες των σωληνών είναι καθαρές και δεν περιέχουν επικίνδυνες προσμίξεις όπως θειικές ενώσεις, οξειδωτικά, ρινίσματα ή σκόνη. Χρησιμοποιείτε σωλήνες με το συνιστώμενο πάχος. (Ανατρέξτε στη 4.1.)
- Φυλάξτε τους σωλήνες που θα χρησιμοποιήσετε στην εγκατάσταση σε εσωτερικό χώρο και σφραγίστε και τα δύο άκρα των σωληνών μέχρι να εκτελέσετε τις εργασίες χαλκοκόλλησης. (Μην βγάλετε τα γωνιακά ρακόρ κτλ. από τη συσκευασία τους.) Αν στις σωληνώσεις ψυκτικού μπουν σκόνη, ρινίσματα ή υγρασία, υπάρχει κίνδυνος να προκληθεί αλλοίωση της ποιότητας του λαδιού ή βλάβη του συμπιεστή.
- Χρησιμοποιήστε λάδι εστέρα, λάδι αιθέρα ή αλκυλιοβενζόλη (μικρή ποσότητα) σαν ψυκτικό λάδι για την εφαρμογή στα διαπλάτυσμένα τμήματα. Το ψυκτικό λάδι αν αναμιχθεί με ορυκτέλαιο, θα αλλοιωθεί.

- Φροντίστε να γειώσετε τη μονάδα. Μην συνδέετε το καλώδιο γείωσης σε σωλήνες αερίου ή υγρού, κολώνες ρεύματος ή τηλεφωνικές γραμμές. Αν η μονάδα δεν είναι κατάλληλα γειωμένη, μπορεί να προκληθεί ηλεκτροπληξία.
- Χρησιμοποιήστε διακόπτες κυκλώματος (διακόπτης κυκλώματος βλάβης γείωσης, διακόπτης απομόνωσης κυκλώματος (ασφάλεια +B), και διακόπτης κυκλώματος σε χυτευτό κουτί) με την ενδεδειγμένη χωρητικότητα. Αν η χωρητικότητα του διακόπτη κυκλώματος είναι μεγαλύτερη από την ενδεδειγμένη, μπορεί να προκληθεί βλάβη ή πυρκαγιά.

- Μην αγγίζετε τους διακόπτες με βρεγμένα χέρια. Μπορεί να πάθετε ηλεκτροπληξία.
- Μην αγγίζετε τους σωλήνες ψυκτικού με γυμνά χέρια όταν λειτουργεί το κλιματιστικό. Οι σωλήνες ψυκτικού είναι πολύ ζεστοί ή πολύ κρύοι ανάλογα με την κατάσταση του κυκλοφορούντος ψυκτικού μέσου. Αν αγγίξετε τους σωλήνες, μπορεί να πάθετε εγκαύματα ή κρουσπαγήματα.
- Αφού σταματήσει να λειτουργεί το κλιματιστικό, περιμένετε τουλάχιστον πέντε λεπτά πριν κλείσετε τον κεντρικό διακόπτη τροφοδοσίας. Διαφορετικά, μπορεί να προκληθεί διαρροή ή βλάβη.

- Μην χρησιμοποιείτε άλλο ψυκτικό από το R410A. Αν χρησιμοποιήσετε άλλο ψυκτικό, το χλώριο στο ψυκτικό μπορεί να προκαλέσει αλλοίωση στην ποιότητα του λαδιού.
- Χρησιμοποιήστε μια αντλία κενού με βαλβίδα ελέγχου αντίστροφης ροής. Εάν το λάδι της αντλίας κενού κυλήσει με κατεύθυνση προς τα πίσω στους ψυκτικούς σωλήνες, ενδέχεται να προκληθεί υποβάθμιση του ψυκτικού υγρού.
- Χρησιμοποιήστε τα παρακάτω εργαλεία που προορίζονται ειδικά για χρήση με το ψυκτικό R410A. Τα παρακάτω εργαλεία είναι απαραίτητα για τη χρήση ψυκτικού R410A. Για τυχόν απορίες, απευθυνθείτε στον πλησιέστερο αντιπρόσωπο.

Εργαλεία (για R410A)	
Πολλαπλός μετρητής	Εργαλείο διαπλάτυσης
Σωλήνας πλήρωσης	Μετρητής διαστάσεων
Ανιχνευτής διαρροής αερίου	Σωλήνας αντλίας κενού
Δυναμόκλειδο	Ηλεκτρονικός ζυγός πλήρωσης ψυκτικού

- Χρησιμοποιείτε πάντα τα κατάλληλα εργαλεία. Αν στις σωληνώσεις ψυκτικού μπουν σκόνη, ρινίσματα ή υγρασία, υπάρχει κίνδυνος να προκληθεί αλλοίωση του ψυκτικού λαδιού.
- Μην χρησιμοποιείτε κύλινδρο γόμωσης. Αν χρησιμοποιήσετε κύλινδρο γόμωσης, η σύνθεση του ψυκτικού μέσου θα αλλάξει και θα μειωθεί η απόδοσή του.

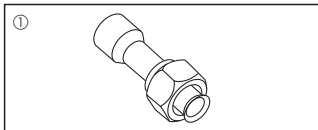


Fig. 1-1

1.6. Εξαρτήματα εξωτερικής μονάδας (Fig. 1-1)

Τα τμήματα που απεικονίζονται αριστερά είναι εξαρτήματα αυτής της μονάδας, τα οποία είναι επικολημένα στο εσωτερικό από το καπάκι εξυπηρέτησης.

- ① Σύνδεσμος σωλήνα.....x1

2. Χώρος εγκατάστασης

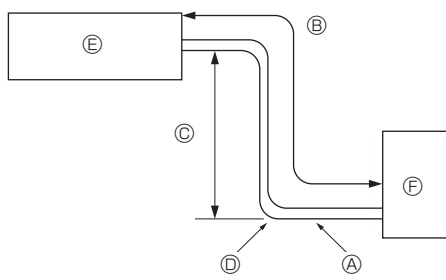


Fig. 2-1

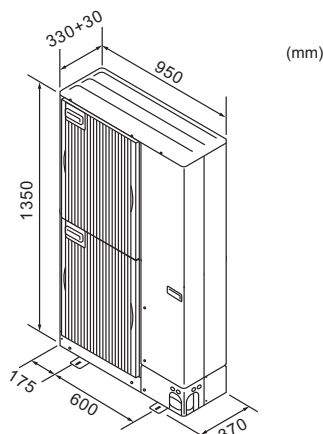


Fig. 2-2

2.1. Σωλήνες ψυκτικού (Fig. 2-1)

▶ Ελέγξτε ότι η υψομετρική διαφορά μεταξύ της εσωτερικής και της εξωτερικής μονάδας, το μήκος της σωληνώσεως για το ψυκτικό και ο αριθμός όπου κόμπιονται οι σωληνώσεις, βρίσκονται εντός των ορίων που καθορίζονται στον πίνακα πιο κάτω.

Μοντέλα	ⓂΜέγεθος σωλήνα(mm)		ⓂΜήκος σωληνώσεως (μία κατεύθυνση)	ⓂΥψομετρική διαφορά	ⓂΑριθμός κάμψεων (μία κατεύθυνση)
	Πλευρά αερίου	Πλευρά υγρού			
P200	ø25,4	ø9,52	Max. 70 m	Max. 30 m	Max. of 15
P250	(ø28,58)	ø12,7	Max. 70 m	Max. 30 m	Max. of 15

• Οι περιορισμοί στην υψομετρική διαφορά είναι δεσμευτικοί ανεξάρτητα από το ποια μονάδα, εσωτερική ή εξωτερική, τοποθετείται υψηλότερα.

- Ⓜ Εσωτερική μονάδα
- Ⓜ Εξωτερική μονάδα

2.2. Επιλογή σημείου εγκατάστασης εξωτερικής μονάδας

- Αποφύγετε σημεία άμεσα εκτεθειμένα στην ηλιακή ακτινοβολία ή σε άλλες πηγές θερμότητας.
- Επιλέξτε ένα σημείο στο οποίο ο θόρυβος που εκπέμπεται από τη μονάδα να μην ενοχλεί τους γείτονες.
- Επιλέξτε μια θέση που επιτρέπει την εύκολη σύνδεση των καλωδίων και των σωληνών στην πηγή τροφοδοσίας και στην εσωτερική μονάδα.
- Αποφύγετε σημεία όπου υπάρχει κίνδυνος διαρροής, απελευθέρωσης, κυκλοφορίας ή συγκέντρωσης εύφλεκτων αερίων.
- Έχετε υπόψη σας ότι κατά τη λειτουργία του κλιματιστικού, μπορεί να τρέχει νερό από τη μονάδα.
- Επιλέξτε μια επίπεδη επιφάνεια η οποία να μπορεί να αντέξει το βάρος και τους κραδασμούς της μονάδας.
- Αποφύγετε σημεία όπου η μονάδα μπορεί να σκεπαστεί με χιόνι. Σε περιοχές όπου σημειώνονται δυνατές χιονοπτώσεις, πρέπει να παίρνετε ειδικές προφυλάξεις, όπως η ανύψωση της θέσης εγκατάστασης ή η τοποθέτηση κουκούλας στη θυρίδα εισαγωγής του αέρα, ώστε να μην μπλοκάρει με χιόνι και να αποφευχθεί η απευθείας πτώση του χιονιού. Σε αντίθετη περίπτωση, μπορεί να μειωθεί η ποσότητα της ροής του αέρα και να προκληθεί βλάβη.
- Αποφύγετε μέρη εκτεθειμένα σε λάδια, ατμούς ή θειικά αέρια.
- Χρησιμοποιείτε τις λαβές μεταφοράς της εξωτερικής μονάδας όταν πρόκειται να μετακινήσετε τη μονάδα. Αν μεταφέρετε τη μονάδα κρατώντας την από την κάτω πλευρά της, μπορεί να τραυματιστούν τα δάχτυλα ή τα χέρια σας.

2.3. Εξωτερικές διαστάσεις (Εξωτερική μονάδα) (Fig. 2-2)

2. Χώρος εγκατάστασης

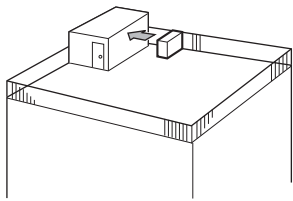


Fig. 2-3

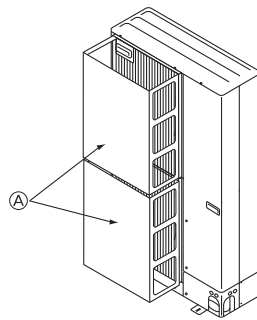


Fig. 2-4

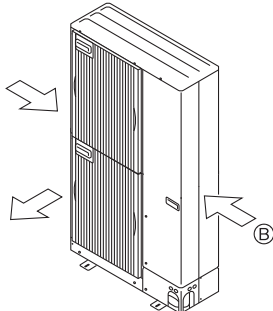


Fig. 2-5

2.4. Εξαερισμός και χώρος συντήρησης

2.4.1. Εγκατάσταση σε σημείο εκτεθειμένο στον άνεμο

Όταν η εγκατάσταση της εξωτερικής μονάδας γίνεται σε στέγη ή σε άλλη θέση που δεν είναι προστατευμένη από τον άνεμο, τα στόμια εξαγωγής του αέρα πρέπει να τοποθετούνται με τρόπο ώστε να μην είναι άμεσα εκτεθειμένα σε δυνατούς ανέμους. Όταν δυνατός αέρας φυσά απευθείας στο στόμιο εξαγωγής του αέρα, εμποδίζεται η κανονική ροή του αέρα και υπάρχει κίνδυνος βλάβης.

Στη συνέχεια, βλέπετε τρία παραδείγματα προφυλάξεων από δυνατούς ανέμους.

- ① Τοποθετήστε τη μονάδα ώστε το στόμιο εξαγωγής του αέρα να είναι στραμμένο προς τον πλησιέστερο διαθέσιμο τοίχο και να απέχει περίπου 50 εκατοστά. (Fig. 2-3)
- ② Τοποθετήστε έναν προαιρετικό οδηγό αέρα, αν πρόκειται να εγκαταστήσετε τη μονάδα σε σημεία όπου υπάρχει το ενδεχόμενο να φυσούν απευθείας στο στόμιο εξαγωγής του αέρα πολύ δυνατοί άνεμοι κτλ. (Fig. 2-4)
 - Ⓐ Οδηγός αέρα
- ③ Εγκαταστήστε τη μονάδα με τρόπο ώστε ο αέρας που βγαίνει από το στόμιο εξαγωγής να φυσά κάθετα σε σχέση με την κατεύθυνση του ανέμου, εάν αυτό είναι δυνατό. (Fig. 2-5)
 - Ⓑ Κατεύθυνση ανέμου

2.4.2. Εγκατάσταση μονής εξωτερικής μονάδας (Ανατρέξτε στην τελευταία σελίδα)

Οι ελάχιστες διαστάσεις έχουν ως εξής, εκτός αν επισημαίνεται η μέγ., που σημαίνει μέγιστες διαστάσεις.

Για κάθε περίπτωση ανατρέξτε στους αριθμούς.

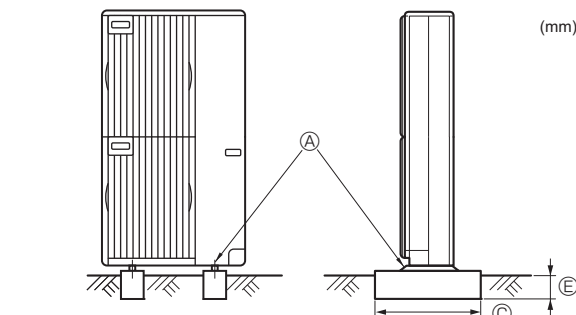
- ① Εμπόδια στην πίσω πλευρά μόνο (Fig. 2-6)
- ② Εμπόδια στην πίσω και επάνω πλευρά μόνο (Fig. 2-7)
- ③ Εμπόδια στην πίσω και στις δύο πλαϊνές πλευρές μόνο (Fig. 2-8)
- ④ Εμπόδια στην μπροστινή πλευρά μόνο (Fig. 2-9)
 - Όταν χρησιμοποιείτε προαιρετικό οδηγό στο στόμιο εξαγωγής του αέρα, η απόσταση είναι 500 mm ή μεγαλύτερη.
- ⑤ Εμπόδια στην μπροστινή και την πίσω πλευρά μόνο (Fig. 2-10)
 - Όταν χρησιμοποιείτε προαιρετικό οδηγό στο στόμιο εξαγωγής του αέρα, η απόσταση είναι 500 mm ή μεγαλύτερη.
- ⑥ Εμπόδια στην πίσω, στις δύο πλαϊνές και στην επάνω πλευρά μόνο (Fig. 2-11)
 - Μην χρησιμοποιείτε τους προαιρετικούς οδηγούς στο στόμιο εξαγωγής του αέρα για κατεύθυνση της ροής προς τα πάνω.

2.4.3. Εγκατάσταση πολλαπλών εξωτερικών μονάδων (Ανατρέξτε στην τελευταία σελίδα)

Αφήστε ελεύθερο χώρο 10 mm ή μεγαλύτερο μεταξύ των μονάδων.

- ① Εμπόδια στην πίσω πλευρά μόνο (Fig. 2-12)
- ② Εμπόδια στην πίσω και επάνω πλευρά μόνο (Fig. 2-13)
 - Δεν πρέπει να εγκαθιστάτε περισσότερες από τρεις μονάδες στη σειρά. Επιπλέον, πρέπει να αφήνετε ελεύθερο χώρο μεταξύ τους όπως δείχνει η εικόνα.
 - Μην χρησιμοποιείτε τους προαιρετικούς οδηγούς στο στόμιο εξαγωγής του αέρα για κατεύθυνση της ροής προς τα πάνω.
- ③ Εμπόδια στην μπροστινή πλευρά μόνο (Fig. 2-14)
 - Όταν χρησιμοποιείτε προαιρετικό οδηγό στο στόμιο εξαγωγής του αέρα, η απόσταση είναι 1000 mm ή μεγαλύτερη.
- ④ ΟΕμπόδια στην μπροστινή και την πίσω πλευρά μόνο (Fig. 2-15)
 - Όταν χρησιμοποιείτε προαιρετικό οδηγό στο στόμιο εξαγωγής του αέρα, η απόσταση είναι 1000 mm ή μεγαλύτερη.
- ⑤ Απλή παράλληλη διάταξη μονάδων (Fig. 2-16)
 - Όταν χρησιμοποιείτε προαιρετικό οδηγό στο στόμιο εξαγωγής του αέρα για κατεύθυνση της ροής προς τα πάνω, η απόσταση είναι 1000 mm ή περισσότερο.
- ⑥ Πολλαπλή παράλληλη διάταξη μονάδων (Fig. 2-17)
 - Όταν χρησιμοποιείτε προαιρετικό οδηγό στο στόμιο εξαγωγής του αέρα για κατεύθυνση της ροής προς τα πάνω, η απόσταση είναι 1500 mm ή περισσότερο.
- ⑦ Διάταξη μονάδων σε στοίβα (Fig. 2-18)
 - Οι μονάδες μπορούν να τοποθετηθούν και σε στοίβα (μέχρι δύο μονάδες).
 - Δεν μπορείτε να τοποθετήσετε στη σειρά περισσότερες από δύο στοίβες. Επιπλέον, πρέπει να αφήνετε ελεύθερο χώρο μεταξύ τους όπως δείχνει η εικόνα.

3. Εγκατάσταση της εξωτερικής μονάδας



- Μέγιστο 30
- Ⓐ Μπουλόνι M10 (3/8")
 - Ⓑ Βάση
 - Ⓒ Όσο το δυνατόν περισσότερο.
 - Ⓓ Άνοιγμα εξαερισμού
 - Ⓔ Τοποθετήστε βαθιά στο έδαφος

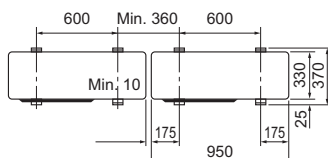


Fig. 3-1

- Η μονάδα πρέπει να τοποθετηθεί σε σταθερή και επίπεδη επιφάνεια για την αποφυγή θορύβων κατά τη λειτουργία. (Fig. 3-1)

<Χαρακτηριστικά θεμελίωσης>

Μπουλόνι θεμελίωσης	M10 (3/8")
Πάχος σκυροδέματος	120 χλστ.
Μήκος μπουλονιού	70 χλστ.
Βάρος-ικανότητα συγκράτησης	320 κιλά

- Βεβαιωθείτε ότι το μήκος του μπουλονιού θεμελίωσης είναι το πολύ 30 χλστ. από την κάτω επιφάνεια της βάσης.
- Στερεώστε καλά τη βάση της μονάδας με τέσσερα μπουλόνια θεμελίωσης M10 σε σταθερή επιφάνεια.

Εγκατάσταση της εξωτερικής μονάδας

- Μην φράσετε το άνοιγμα εξαερισμού. Σε αντίθετη περίπτωση, η λειτουργία της μονάδας παρεμποδίζεται και μπορεί να προκληθεί ζημιά.
- Εκτός από τη βάση της μονάδας, χρησιμοποιήστε και τις οπές στην πίσω πλευρά της μονάδας για τη σύνδεση συρμάτων στερέωσης κτλ., εφόσον χρειάζεται για την εγκατάσταση της μονάδας. Χρησιμοποιήστε λαμαρινόβιδες (φ5 × 15 mm ή λιγότερο) και κάντε την εγκατάσταση επιτόπου.

⚠ Προειδοποίηση:

- Η μονάδα πρέπει να εγκατασταθεί και να στερεωθεί καλά σε μια επιφάνεια που μπορεί να αντέξει το βάρος της. Αν η μονάδα τοποθετηθεί σε ασταθή επιφάνεια, μπορεί να πέσει και να προκαλέσει τραυματισμούς.
- Η εγκατάσταση της μονάδας πρέπει να γίνει σύμφωνα με τις οδηγίες προκειμένου να ελαχιστοποιηθεί ο κίνδυνος ζημιάς από σεισμούς, τυφώνες ή δυνατούς ανέμους. Όταν η μονάδα δεν είναι σωστά εγκατεστημένη, μπορεί να πέσει και να προκαλέσει ζημιά ή τραυματισμό.

4. Εγκατάσταση της σωλήνωσης ψυκτικού υγρού

4.1. Προφυλάξεις για τις συσκευές που χρησιμοποιούν ψυκτικό R410A

- Ανατρέξτε στη 1.5. για προφυλάξεις που δεν περιλαμβάνονται παρακάτω σχετικά με τη χρήση κλιματιστικών με ψυκτικό R410A.
 - Χρησιμοποιήστε λάδι εστέρα, λάδι αιθέρα ή αλκυλιοβενζόλη (μικρή ποσότητα) σαν ψυκτικό λάδι για την εφαρμογή στα διαπλευσμένα τμήματα.
 - Χρησιμοποιήστε φωσφορούχο κρατέρωμα C1220 για τη σύνδεση των σωληνώσεων ψυκτικού, όταν έχετε χαλκοσωλήνες και σωλήνες κράματος χαλκού χωρίς ενώσεις. Χρησιμοποιείτε σωλήνες ψυκτικού με πάχος σύμφωνα με τις προδιαγραφές στον παρακάτω πίνακα. Βεβαιωθείτε ότι οι εσωτερικές επιφάνειες των σωλήνων είναι καθαρές και δεν περιέχουν επικίνδυνες προσμίξεις όπως θειικές ενώσεις, οξειδωτικά, ρινίσματα ή σκόνη.
- Na εφαρμόζεται πάντα μη οξειδωτική χαλκοκόλληση κατά τη χαλκοκόλληση των σωλήνων, διαφορετικά θα καταστραφεί ο συμπιεστής.

⚠ Προειδοποίηση:

Κατά την εγκατάσταση ή τη μετακίνηση του κλιματιστικού, χρησιμοποιείτε μόνο το συνιστώμενο ψυκτικό (R410A) για την πλήρωση των γραμμών ψυκτικού. Μην το αναμιγνύετε με άλλο ψυκτικό μέσο και μην αφήνετε τον αέρα να παραμείνει μέσα στις γραμμές.

Εάν αναμιχθεί αέρας με το ψυκτικό, ενδέχεται να προκαλέσει ασυνήθιστα υψηλή πίεση στη γραμμή ψυκτικού, με ενδεχόμενο έκρηξης και άλλους κινδύνους. Η χρήση ψυκτικού διαφορετικού από αυτό που καθορίζεται για το σύστημα θα προκαλέσει μηχανική βλάβη ή δυσλειτουργία του συστήματος ή ζημιά στο σύστημα. Στη χειρότερη περίπτωση, μία τέτοια ενέργεια ενδέχεται να υπονομεύσει την ασφάλεια του προϊόντος.

Μέγεθος σωλήνα (mm)	ø6,35	ø9,52	ø12,7	ø15,88	ø19,05	ø22,2	ø25,4	ø28,58
Πάχος (mm)	0,8	0,8	0,8	1,0	1,0	1,0	1,0	1,0

- Μην χρησιμοποιείτε σωλήνες με πάχος μικρότερο από τις προδιαγραφές του παραπάνω πίνακα.

4.2. Σωλήνες σύνδεσης

- Όταν είναι διαθέσιμοι στο εμπόριο χρησιμοποιούνται χαλκοσωλήνες, σπειροειδείς σωλήνες υγρού και αερίου με υλικό μόνωσης που διατίθεται στο εμπόριο (θερμική αντοχή έως 100 °C ή μεγαλύτερη, πάχος 12 χλστ. ή μεγαλύτερο).
- Τα εσωτερικά εξαρτήματα του σωλήνα αποστράγγισης πρέπει να περιτυλιγούνται με μονωτικό αφρό πολυαιθυλαίου (ειδικό βάρος 0,03, πάχος 9 χλστ. ή μεγαλύτερο).
- Πριν βιδώσετε το περικόχλιο εκχείλωσης απλάστε το σωλήνα και στην κοινή επιφάνεια που επικάθεται λεπτό στρώμα από ψυκτικό λάδι. Ⓐ (Fig.4-1)
- Χρησιμοποιήστε δύο κλειδιά για να σφίξετε τις συνδέσεις των σωλήνων. Ⓑ (Fig.4-1)
- Όταν έχουν γίνει οι συνδέσεις στις σωληνώσεις, χρησιμοποιήστε ένα όργανο εντοπίσεως διαρροών ή διάλυμα σαπουνιού για να εντοπίσετε τυχόν διαρροές αερίου.
- Αλείψτε με ψυκτικό λάδι ολόκληρη την επιφάνεια στα διαπλευσμένα τμήματα. Ⓒ (Fig.4-1)
- Χρησιμοποιήστε τα παξιμάδια ρακόρ για το παρακάτω μέγεθος σωλήνα. Ⓓ (Fig.4-1)

		RP50	RP60,71	RP100-140
Πλευρά αερίου	Μέγεθος σωλήνα (mm)	ø12,7	ø15,88	ø15,88
Πλευρά υγρού	Μέγεθος σωλήνα (mm)	ø6,35	ø9,52	ø9,52

- Όταν κάμπτετε τους σωλήνες, προσέξτε να μην τους σπάσετε. Ακίνετες κάμψης της τάξης των 100 mm ή 150 mm είναι αρκετές.
- Βεβαιωθείτε ότι οι σωλήνες δεν έρχονται σε επαφή με το συμπιεστή. Μπορεί να προκληθεί μη φυσιολογικός θόρυβος ή κραδασμοί.

- 1 Η σύνδεση των σωλήνων πρέπει να ξεκινά από την εσωτερική μονάδα. Για το σφίξιμο των περικόχλιων εκχείλωσης πρέπει να χρησιμοποιείτε δυναμόκλειδο.
- 2 Εκχειλώστε τους σωλήνες υγρού και αερίου και αλείψτε τους με ένα λεπτό στρώμα λαδιού ψυκτικού (επιτόπου εργασίας).
- Όταν χρησιμοποιούνται τα συνήθη υλικά για το σφράγισμα των σωλήνων, ανατρέξτε στον Πίνακα 1 για την εκχείλωση των σωλήνων με ψυκτικό R410A. Για την επαληθεύση των μετρήσεων B πρέπει να χρησιμοποιήσετε το μετρητή διαστάσεων.

Πίνακας 1 (Fig. 4-2)

Διάμετρος χαλκοσωλήνα (mm)	B (mm)	
	Εργαλείο διαπλάτυσης για R410A	Εργαλείο διαπλάτυσης για R22a/R407C
	Τύπου σφιγκτήρα	
ø6,35 (1/4")	0 - 0,5	1,0 - 1,5
ø9,52 (3/8")	0 - 0,5	1,0 - 1,5
ø12,7 (1/2")	0 - 0,5	1,0 - 1,5
ø15,88 (5/8")	0 - 0,5	1,0 - 1,5
ø19,05 (3/4")	0 - 0,5	1,0 - 1,5

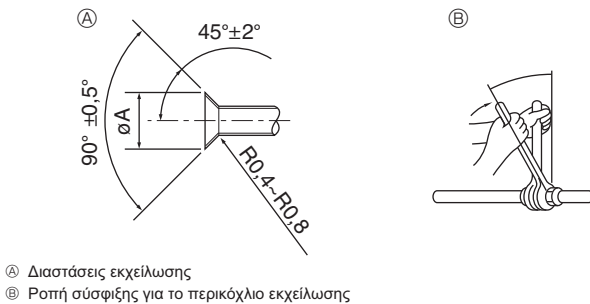
- 3 Ακολουθήστε την παρακάτω διαδικασία για να συνδέσετε τη σωλήνωση αερίου. (Fig. 4-3)

- 1 Χαλκοκολλήστε την παρεχόμενη σύνδεση σωλήνα Ⓔ στην εξωτερική μονάδα χρησιμοποιώντας υλικά χαλκοκόλλησης τα οποία παρέχονται τοπικά και τον τοπικό σωλήνα Ⓒ χωρίς οξυγόνο.
- 2 Σύνδεστε τη σύνδεση σωλήνα Ⓔ με τη βαλβίδα διακοπής αερίου. Χρησιμοποιήστε δύο κλειδιά για να σφίξετε το περικόχλιο.
 - * Τυχόν αντιστροφή της σειράς προκαλεί διαρροή ψυκτικού λόγω της καταστροφής που προκαλεί σε ορισμένα εξαρτήματα η φλόγα χαλκοκόλλησης.

- Για τα PEA-RP200, 250, 400, 500GA

Η μέθοδος σύνδεσης σωλήνων είναι η χαλκοκόλληση

		PEA-200	PEA-250	PEA-400	PEA-500
Πλευρά αερίου	Μέγεθος σωλήνα (mm)	ø25,4 (ή ø28,58)			
Πλευρά υγρού	Μέγεθος σωλήνα (mm)	ø9,52	ø12,7	ø9,52	ø12,7



Ⓐ Διαστάσεις εκχείλωσης
Ⓑ Ροπή σύσφιξης για το περικόχλιο εκχείλωσης

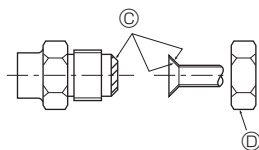


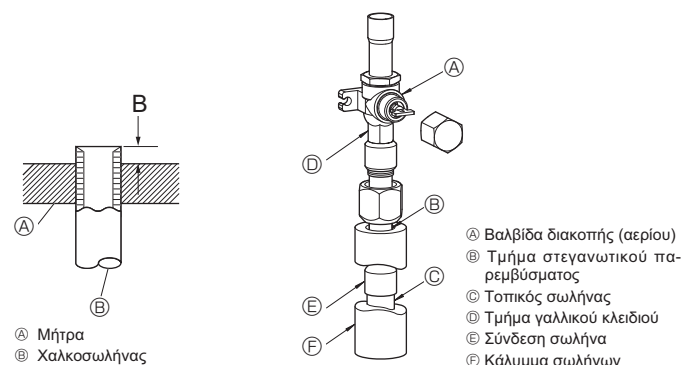
Fig. 4-1

Ⓐ (Fig. 4-1)

Διάμετρος χαλκοσωλήνα (mm)	Διαστάσεις εκχείλωσης Διάσταση øA (mm)
ø6,35	8,7 - 9,1
ø9,52	12,8 - 13,2
ø12,7	16,2 - 16,6
ø15,88	19,3 - 19,7
ø19,05	23,6 - 24,0

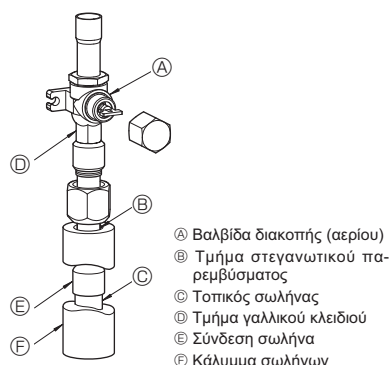
Ⓑ (Fig. 4-1)

Διάμετρος χαλκοσωλήνα (mm)	Διάμετρος περικόχλιου εκχείλωσης (mm)	Ροπή σύσφιξης (N·m)
ø6,35	17	14 - 18
ø6,35	22	34 - 42
ø9,52	22	34 - 42
ø12,7	26	49 - 61
ø12,7	29	68 - 82
ø15,88	29	68 - 82
ø15,88	36	100 - 120
ø19,05	36	100 - 120



Ⓐ Μήτρα
Ⓑ Χαλκοσωλήνας

Fig. 4-2



Ⓐ Βαλβίδα διακοπής (αερίου)
Ⓑ Τμήμα στεγανωτικού παρεμβύσματος
Ⓒ Τοπικός σωλήνας
Ⓓ Τμήμα γαλλικού κλειδιού
Ⓔ Σύνδεση σωλήνα
Ⓕ Κάλυμμα σωλήνων

Fig. 4-3

4. Εγκατάσταση της σωληνώσεως ψυκτικού υγρού

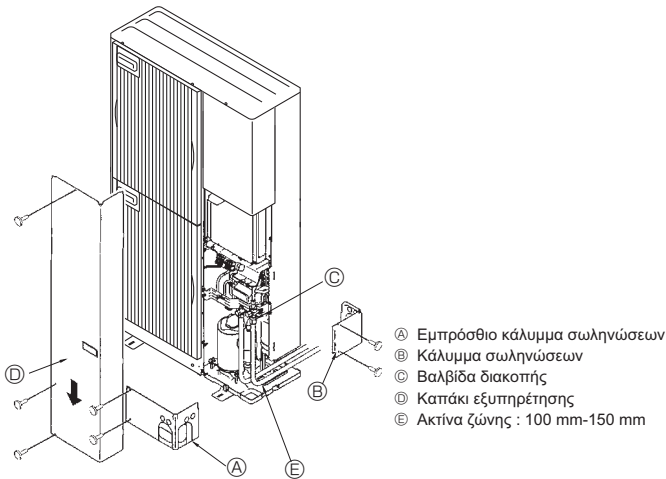


Fig. 4-4

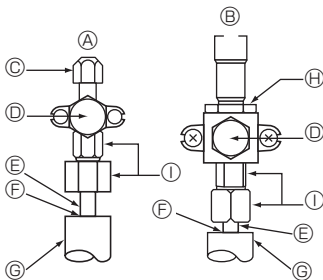


Fig. 4-5

- Ⓐ Ανασταλτική βαλβίδα <Γραμμή υγρού>
- Ⓑ Ανασταλτική βαλβίδα <Γραμμή αερίου>
- Ⓒ Θυρίδα συντήρησης
- Ⓓ Τμήμα ανοίγματος/κλεισίματος
- Ⓔ Τοπικός σωλήνας
- Ⓕ Τμήμα στεγανωτικού παρεμβύσματος (Στεγανοποιήστε με το άκρο του θερμομονωτικού υλικού το τμήμα σύνδεσης του σωλήνα χρησιμοποιώντας οποιοδήποτε μονωτικό υλικό διαθέτετε, έτσι ώστε το νερό να μην διαπερνά το θερμομονωτικό υλικό.)
- Ⓖ Κάλυμμα σωλήνα
- Ⓗ Μην χρησιμοποιείτε κλειδί εδώ. Ενδέχεται να προκληθεί διαρροή ψυκτικού.
- Ⓘ Τμήμα στεγανωτικού παρεμβύσματος (Στεγανοποιήστε με το άκρο του θερμομονωτικού υλικού το τμήμα σύνδεσης του σωλήνα χρησιμοποιώντας οποιοδήποτε μονωτικό υλικό διαθέτετε, έτσι ώστε το νερό να μην διαπερνά το θερμομονωτικό υλικό.)

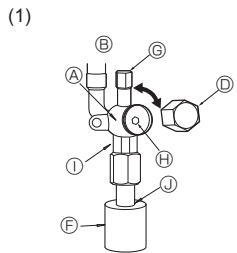


Fig. 4-6

- Ⓐ Βαλβίδα
- Ⓑ Πλευρά μονάδας
- Ⓒ Τμήμα λειτουργίας
- Ⓓ Καπάκι
- Ⓔ Πλευρά τοπικού σωλήνα
- Ⓕ Κάλυμμα σωλήνα
- Ⓖ Θυρίδα συντήρησης
- Ⓗ Οπή για το κλειδί

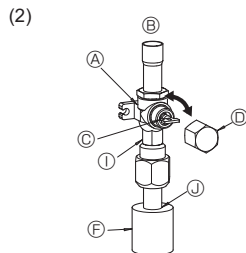


Fig. 4-7

- Ⓘ Τμήμα γαλλικού κλειδιού (Μην χρησιμοποιείτε γαλλικό κλειδί σε κανένα άλλο τμήμα. Η χρήση του μπορεί να προκαλέσει διαρροή της ψυκτικής ουσίας.)
- Ⓚ Τμήμα στεγανωτικού παρεμβύσματος (Στεγανοποιήστε με το άκρο του θερμομονωτικού υλικού το τμήμα σύνδεσης του σωλήνα χρησιμοποιώντας οποιοδήποτε μονωτικό υλικό διαθέτετε, έτσι ώστε το νερό να μην διαπερνά το θερμομονωτικό υλικό.)

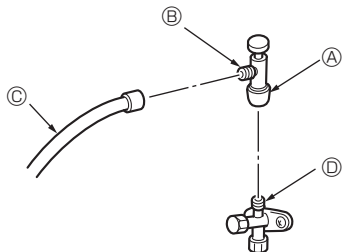


Fig. 4-8

- * Η εικόνα στα αριστερά δεν είναι παρά ένα παράδειγμα. Το σχήμα της βαλβίδας διακοπής, η θέση της θυρίδας συντήρησης κ.λπ. ενδέχεται να ποικίλλουν ανάλογα με το μοντέλο.
- * Περιστρέψτε μόνο το τμήμα Ⓐ. (Μην σφίγγετε άλλο τα τμήματα Ⓐ και Ⓑ.)
- Ⓒ Σωλήνας πλήρωσης
- Ⓓ Θυρίδα συντήρησης

4.3. Σωληνώσεις ψυκτικού υγρού (Fig. 4-4)

Αφαιρέστε το καπάκι Ⓒ (3 βίδες), το εμπρόσθιο Ⓐ κάλυμμα των σωληνώσεων (2 βίδες) και το πίσω κάλυμμα των σωληνώσεων Ⓑ (2 βίδες).

- ① Κάντε τις συνδέσεις των σωληνώσεων για την εσωτερική/εξωτερική μονάδα όταν η ανασταλτική βαλβίδα της εξωτερικής μονάδας είναι εντελώς κλειστή.
- ② Κάντε εξερισμό στην εσωτερική μονάδα και στους σωλήνες σύνδεσης.
- ③ Αφού συνδέσετε τους σωλήνες ψυκτικού, ελέγξτε τους συνδεδεμένους σωλήνες και την εσωτερική μονάδα για τυχόν διαρροή αερίου. (Ανατρέξτε στην ενότητα 4.4. Μέθοδος ελέγχου αεροστεγανότητας των σωληνώσεων ψυκτικού.)
- ④ Μια αντλία κενού υψηλής απόδοσης χρησιμοποιείται στη θυρίδα συντήρησης της ανασταλτικής βαλβίδας για τη διατήρηση κενού για αρκετό χρονικό διάστημα (μία ώρα τουλάχιστον αφού η πίεση φτάσει τα -101 kPa (5 Torr)), προκειμένου να πραγματοποιηθεί ξήρανση υπό κενό στο εσωτερικό των σωληνών. Ελέγχετε πάντα το βαθμό κενού στην κάσα του μανομέτρου. Εάν στο σωλήνα εξακολουθεί να υπάρχει υγρασία, ο βαθμός κενού μερικές φορές δεν είναι δυνατό να επιτευχθεί με εφαρμογή κενού για μικρό χρονικό διάστημα. Αφού ολοκληρωθεί η ξήρανση υπό κενό, ανοίξτε τελείως τις ανασταλτικές βαλβίδες (και των υγρών και των αερίων) για την εξωτερική μονάδα. Με αυτόν τον τρόπο γίνεται πλήρης σύνδεση των εσωτερικών και εξωτερικών κυκλωμάτων της ψυκτικής ουσίας.
 - Εάν η ξήρανση υπό κενό δεν είναι επαρκής, στα κυκλώματα της ψυκτικής ουσίας παραμένουν αέρας και υδρατμοί που μπορούν να προκαλέσουν υπερβολική αύξηση της υψηλής πίεσης, υπερβολική πύωση της χαμηλής πίεσης, φθορά του λαδιού της ψυκτικής μηχανής λόγω υγρασίας κ.λπ.
 - Αν οι ανασταλτικές βαλβίδες παραμείνουν κλειστές και τεθεί σε λειτουργία το κλιματιστικό, ο συμπιεστής και οι βαλβίδες ελέγχου θα υποστούν ζημιά.
 - Χρησιμοποιήστε έναν ανιχνευτή διαρροής ή νερό με σαπουνάδα για να ελέγξετε εάν υπάρχει διαρροή αερίου στα σημεία σύνδεσης των σωληνών στην εξωτερική μονάδα.
 - Μην χρησιμοποιήσετε το ψυκτικό από τη μονάδα για την εξαέρωση των γραμμών ψυκτικού.
 - Αφού ολοκληρωθεί η διαδικασία, σφίξτε τα καπάκια των βαλβίδων με τη σωστή ροπή σύσφιξης: 20 έως 25 N·m (200 έως 250 kgf·cm).
- ⑤ Χρησιμοποιήστε στεγανωτικό υλικό για να σφραγίσετε τα άκρα της θερμομόνωσης γύρω από τα σημεία σύνδεσης των σωληνών ώστε να μην είναι δυνατή η εισχώρηση νερού στη θερμομόνωση.

4.4. Μέθοδος ελέγχου αεροστεγανότητας του σωληνώσεων ψυκτικού (Fig. 4-4)

- (1) Συνδέστε τα εργαλεία ελέγχου.
 - Βεβαιωθείτε ότι οι ανασταλτικές βαλβίδες Ⓐ Ⓑ είναι κλειστές και μην τις ανοίξετε.
 - Διοχετεύστε πίεση στις γραμμές ψυκτικού από το σημείο εξυπηρέτησης Ⓒ της ανασταλτικής βαλβίδας Ⓐ της γραμμής υγρού.
- (2) Μην διοχετεύετε πίεση μέχρι την ενδεδειγμένη τιμή μεμιάς αλλά σταδιακά.
 - ① Αυξήστε την πίεση μέχρι 0,5 MPa (5 kgf/cm²G), περιμένετε 5 λεπτά και βεβαιωθείτε ότι η πίεση δεν μειώνεται.
 - ② Αυξήστε την πίεση σε 1,5 MPa (15 kgf/cm²G), περιμένετε 5 λεπτά και βεβαιωθείτε ότι η πίεση δεν μειώνεται.
 - ③ Αυξήστε την πίεση σε 4,15 MPa (41,5 kgf/cm²G) και μετρήστε τη θερμοκρασία περιβάλλοντος και την πίεση του ψυκτικού.
- (3) Αν η συγκεκριμένη πίεση διατηρείται σταθερή για μία περίπου ημέρα και δεν πέφτει, οι σωλήνες έχουν περάσει με επιτυχία τον έλεγχο αεροστεγανότητας και δεν υπάρχουν διαρροές.
 - Αν η θερμοκρασία περιβάλλοντος μεταβληθεί κατά 1 °C, η πίεση θα μεταβληθεί επίσης κατά 0,03 MPa (0,3 kgf/cm²G). Κάντε τις απαραίτητες διορθώσεις.
- (4) Αν η πίεση μειωθεί στα βήματα (2) ή (3), τότε υπάρχει διαρροή αερίου. Αναζητήστε την αιτία της διαρροής.

4.5. Μέθοδος ανοίγματος ανασταλτικής βαλβίδας

Η μέθοδος ανοίγματος της ανασταλτικής βαλβίδας εξαρτάται από το μοντέλο της εξωτερικής μονάδας. Χρησιμοποιήστε την κατάλληλη μέθοδο για να ανοίξετε την ανασταλτική βαλβίδα.

- (1) Βαλβίδα διακοπής υγρού (Fig. 4-6)
 - ① Βγάλτε το καπάκι και περιστρέψτε το στέλεχος της βαλβίδας προς τα αριστερά έως το τέρμα χρησιμοποιώντας ένα εξαγωνικό κλειδί 4 mm. Σταματήστε να περιστρέφετε έως ότου φτάσει στον αναστολέα. (Περίπου 10 στροφές)
 - ② Βεβαιωθείτε ότι η βαλβίδα διακοπής είναι εντελώς ανοιχτή, και περιστρέφοντας επαναφέρατε το καπάκι στην αρχική του θέση.
- (2) Βαλβίδα διακοπής αερίου (Fig. 4-7)
 - ① Βγάλτε το καπάκι, τραβήξτε τη λαβή προς την πλευρά σας και περιστρέψτε κατά το 1/4 της στροφής προς τα αριστερά για να ανοίξει.
 - ② Βεβαιωθείτε ότι η βαλβίδα διακοπής είναι εντελώς ανοιχτή, πιέστε μέσα τη λαβή και περιστρέφοντας επαναφέρατε το καπάκι στην αρχική του θέση.

Οι σωλήνες ψυκτικού τυλίγονται με ταινία για προστασία

- Οι σωλήνες μπορούν να τυλιχτούν με προστατευτική ταινία μέχρι να φθάσουν διάμετρο $\varnothing 90$ πριν ή μετά τη σύνδεσή τους. Ανοίξτε τη χαραγμένη τρύπα στο κάλυμμα των σωληνών ακολουθώντας την αυλάκωση και τυλίξτε τους σωλήνες.

Ανοίγμα εισόδου σωλήνα

- Χρησιμοποιήστε στόκο ή μονωτικό υλικό για να σφραγίσετε το σημείο σύνδεσης των σωληνών ώστε να μην υπάρχουν κενά. (Αν τα κενά δεν σφραγιστούν, μπορεί να ακούγεται ασυνήθιστος θόρυβος ή να εισχωρήσει στη μονάδα σκόνη ή νερό και να προκαλέσει βλάβη.)

Μέτρα ασφαλείας που πρέπει να τηρούνται κατά τη χρήση της βαλβίδας πλήρωσης (Fig. 4-8)

Μην σφίγγετε πάρα πολύ τη θυρίδα συντήρησης κατά την εγκατάσταση, καθώς μπορεί να παραμορφωθεί και να χαλαρώσει ο πυρήνας της βαλβίδας, με αποτέλεσμα τη διαρροή αερίου.

Αφού τοποθετήσετε το τμήμα Ⓑ προς τη σωστή κατεύθυνση, περιστρέψτε μόνο το τμήμα Ⓐ και σφίξτε το. Αφού σφίξετε το τμήμα Ⓐ, μην σφίγγετε άλλο τα τμήματα Ⓐ και Ⓑ.

⚠ Προειδοποίηση: Κατά την εγκατάσταση της μονάδας, συνδέστε με ασφάλεια τους σωλήνες ψυκτικού πριν θέσετε σε λειτουργία το συμπιεστή.

4. Εγκατάσταση της σωλήνωσης ψυκτικού υγρού

4.6. Προσθήκη ψυκτικού υγρού

- Δεν απαιτείται συμπληρωματική πλήρωση της μονάδας με ψυκτικό αν το μήκος του σωλήνα δεν υπερβαίνει τα 30 m.
- Αν το μήκος του σωλήνα υπερβαίνει το όριο, πληρώστε τη μονάδα με πρόσθετη ποσότητα ψυκτικού υγρού R410A σύμφωνα με το επιτρεπόμενο μήκος σωλήνα στον παρακάτω πίνακα.
- * Όταν το κλιματιστικό δεν λειτουργεί, πληρώστε με το πρόσθετο ψυκτικό από την ανασταλτική βαλβίδα της γραμμής υγρού αφού εξαιρεθούν πρώτα όλες οι προεκτάσεις των σωληνώσεων και η εσωτερική μονάδα. Όταν το κλιματιστικό λειτουργεί, πληρώστε με ψυκτικό από τη βαλβίδα ελέγχου της γραμμής αερίου χρησιμοποιώντας μια συσκευή πλήρωσης ασφαλείας. Μην προσθέτετε υγρό ψυκτικό απευθείας στη βαλβίδα ελέγχου.

- * Μετά την πλήρωση της μονάδας με ψυκτικό, σημειώστε την ποσότητα του ψυκτικού που προσθέσατε στην ετικέτα συντήρησης (που βρίσκεται κολλημένη στη μονάδα). Ανατρέξτε στην ενότητα "1.5. Χρήση κλιματιστικών με ψυκτικό μέσο R410A" για περισσότερες πληροφορίες.
- Να είστε προσεκτικοί κατά την εγκατάσταση πολλαπλών μονάδων. Η σύνδεση σε λάθος εσωτερική μονάδα μπορεί να προκαλέσει ασυνήθιστα υψηλή πίεση με αποτέλεσμα σοβαρές επιπτώσεις στην απόδοση του κλιματιστικού.

Μοντέλο	Επιτρεπόμενο μήκος σωλήνα	Επιτρεπόμενη υψομετρική διαφορά	Πρόσθετη ποσότητα ψυκτικού			
			31 - 40 m	41 - 50 m	51 - 60 m	61 - 70 m
P200	70 m	30 m	0,9 kg	1,8 kg	2,7 kg	3,6 kg
P250			1,2 kg	2,4 kg	3,6 kg	4,8 kg

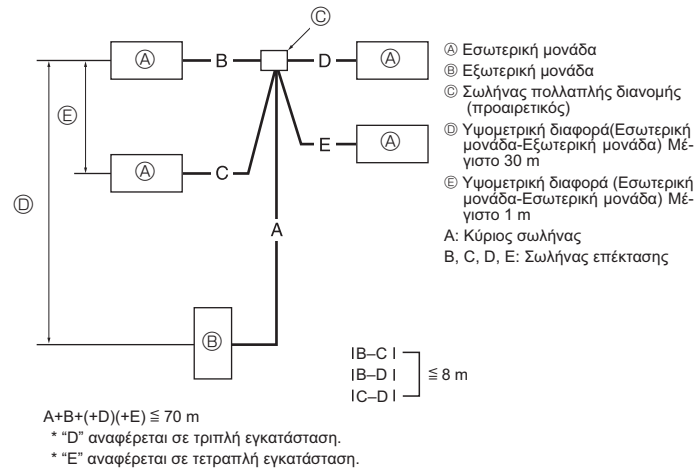


Fig. 4-9

4.7. Για διπλή/τριπλή/τετραπλή εγκατάσταση (Fig. 4-9)

- Όταν αυτή η μονάδα χρησιμοποιείται ως "ΠΟΛΥΔΙΑΙΡΟΥΜΕΝΟ ΣΥΣΤΗΜΑ", εγκαταστήστε τις σωληνώσεις ψυκτικού συνυπολογίζοντας τους περιορισμούς που αναγράφονται στο σχέδιο στα αριστερά. Επιπλέον, αν πρόκειται να υπερβείτε τους περιορισμούς ή αν πρόκειται να γίνουν συνδυασμοί εσωτερικών και εξωτερικών μονάδων, ανατρέξτε στις οδηγίες εγκατάστασης της εσωτερικής μονάδας για λεπτομέρειες σχετικά με την εγκατάσταση.

Εξωτερική μονάδα	Επιτρεπόμενο συνολικό μήκος σωληνώσεων A+B+C+D+E	Μήκος σωληνώσεων χωρίς πλήρωση A+B+C+D+E
P200 P250	70 m και λιγότερο	30 m και λιγότερο
Εξωτερική μονάδα	B-C ή B-D ή B-E ή C-D ή C-E ή D-E	Αριθμός κάμψεων
P200 P250	8 m και λιγότερο	Έως 15

5. Εργασίες Σωληνώσεων Αποχέτευσης

Σύνδεση σωλήνα αποχέτευσης εξωτερικής μονάδας

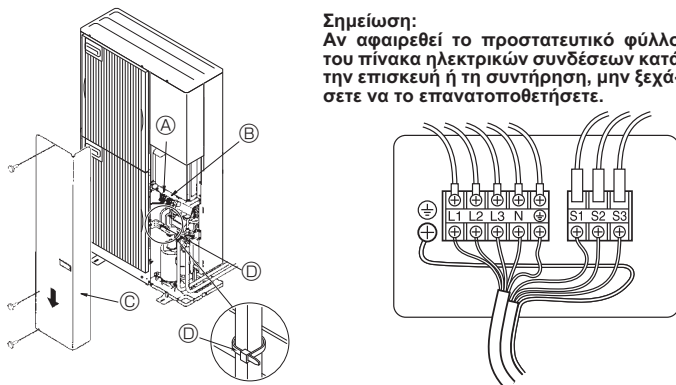
Όταν απαιτείται αποχετευτική σωλήνωση, χρησιμοποιήστε την οπή ή το δοχείο αποστράγγισης (προαιρετικά μέρη).

Οπή αποστράγγισης	PAC-SG61DS-E
Δοχείο αποστράγγισης	PAC-SG64DP-E

6. Ηλεκτρικές εργασίες

6.1. Εξωτερική μονάδα (Fig. 6-1, Fig. 6-2)

- (1) Αφαιρέστε το πλαίσιο συντήρησης.
- (2) Συνδέστε τα καλώδια που αναφέρονται στην Εικόνα 6-1 και στην Εικόνα 6-2.



- A Πίνακας ακροδεκτών για τροφοδοσία (L1, L2, L3, N, ⊕)
 B Πίνακας ακροδεκτών σύνδεσης εσωτερικής/εξωτερικής μονάδας (S1, S2, S3)
 C Κάλυμμα εξυπηρέτησης
 D Σφικτήρας
 * Συνδέστε τα καλώδια ώστε να μην έρχονται σε επαφή με το κέντρο του καλύμματος συντήρησης ή με το βαλβίδα αερίου

Προσοχή:
 Φροντίστε να εγκαταστήσετε την Γραμμή-N. Χωρίς την Γραμμή-N μπορεί να προκληθεί βλάβη στη μονάδα.

* Εκτός από τα PEA-RP200, 250, 400, 500GA

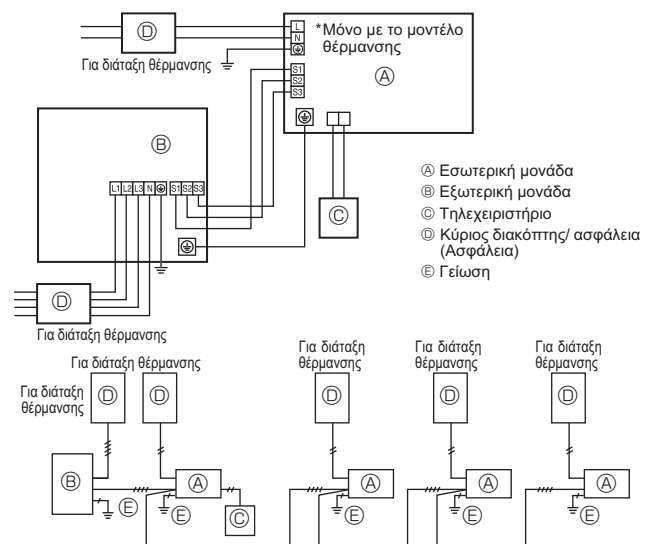
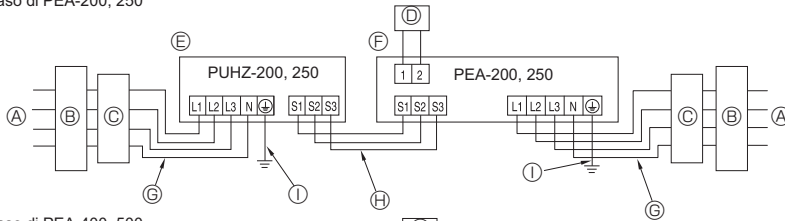


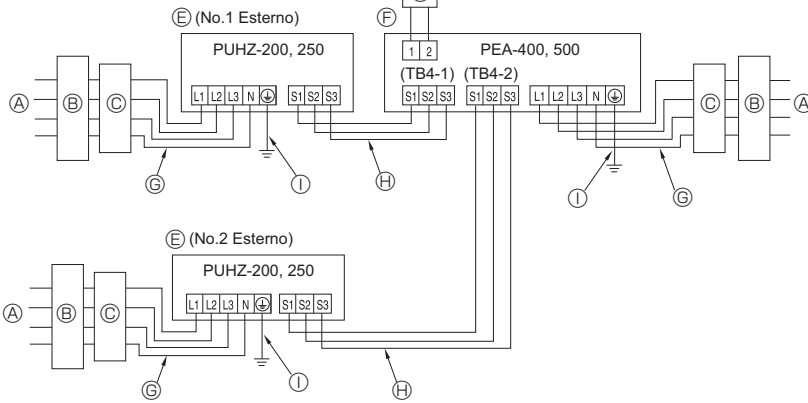
Fig. 6-1

6. Ηλεκτρικές εργασίες

* In caso di PEA-200, 250

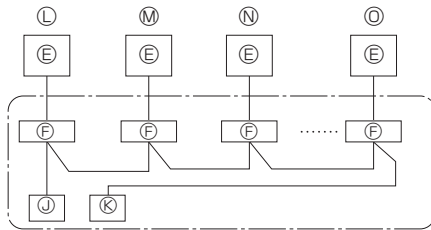


* In caso di PEA-400, 500



- Ⓐ Alimentazione
- Ⓑ Interruttore delle perdite a terra
- Ⓒ Interruttore di circuito o interruttore locale
- Ⓓ Comando a distanza LCD
- Ⓔ Unità esterna
- Ⓕ Unità interna
- Ⓖ Cablaggio del cavo di alimentazione
- Ⓗ Cablaggio di collegamento interno/esterno
- Ⓘ Messa a terra
- Ⓛ Comando a distanza principale
- Ⓜ Comando a distanza secondario
- Ⓝ Standard (Indirizzo refrigerante = 00)
- Ⓜ Indirizzo refrigerante = 01
- Ⓝ Indirizzo refrigerante = 02
- Ⓝ Indirizzo refrigerante = 03
- Ⓝ Indirizzo refrigerante = 14
- Ⓝ Indirizzo refrigerante = 15

* In caso di PEA-200, 250



* In caso di PEA-400, 500

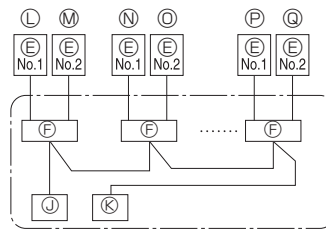


Fig. 6-2

6.2. Υπαίθρια καλωδίωση

Μοντέλο Εξωτερική μονάδας		P200, 250
Εξωτερική μονάδα Ηλεκτρική παροχή	Φάση Συχνότητα & Τάση	3N~(3 φάσεις - 4 καλώδια), 50 Hz, 400 V
Ικανότητα εισόδου εξωτερικής μονάδας Κεντρικός διακόπτης (Ασφάλεια)	*1	32 A
Καλωδίωση Εξωτερική μονάδα Ηλεκτρική παροχή		5 × Ελάχιστο. 4
Καλωδίωση Εσωτερική μονάδα-Εξωτερική μονάδα	*2	Καλώδιο μήκους 50 m : 3 × 4 (πολικότητα)/Καλώδιο μήκους 80 m : 3 × 6 (πολικότητα)
Καλωδίωση Γείωση εσωτερικής μονάδας - εξωτερικής μονάδας		1 × Ελάχιστο. 2,5
Καλωδίωση Σύνδεση τηλεχειριστήριου/εσωτερικής μονάδας	*3	2 × 0,3 (χωρίς πολικότητα)
Ονομαστική ισχύς κυκλώματος	Εξωτερική μονάδα L1-N, L2-N, L3-N	AC 230 V
	Εσωτερική μονάδα-Εξωτερική μονάδα S1-S2	AC 230 V
	Εσωτερική μονάδα-Εξωτερική μονάδα S1-S2	DC 24 V
	Σύνδεση τηλεχειριστήριου/Εσωτερικής μονάδας	DC 12 V

*1. Χρησιμοποιήστε διακόπτη διαρροής προς γη (NV) με διάκενο τουλάχιστον 3 mm σε κάθε πόλο.

*2. Μέγιστο 80 m Το μέγιστο συνολικό μήκος συμπεριλαμβανομένων όλων των εσωτερικών/ εσωτερικών συνδέσεων είναι 80 m.

• Χρησιμοποιήστε ένα καλώδιο για τους ακροδέκτες S1 και S2 και ένα άλλο για τον ακροδέκτη S3 όπως φαίνεται στην εικόνα.

• Μέγ. 50 m Σύν. Μέγ. για PEA. Μέγεθος σύνδεσης 3 x 1,5 (Πολική).

*3. Το τηλεχειριστήριο παραδίδεται με καλώδιο μήκους 10 μέτρων.

*4. Οι τιμές τάσης ΔΕΝ λαμβάνονται ως προς τη γείωση.

Ο ακροδέκτης S3 έχει διαφορά τάσης DC24V ως προς τον ακροδέκτη S2. Μεταξύ των ακροδεκτών S3 και S1, δεν υπάρχει ηλεκτρική μόνωση από το μετασχηματιστή ή άλλη συσκευή.



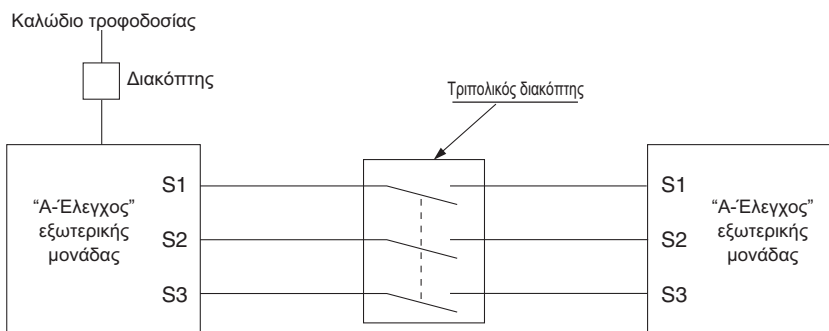
Σημειώσεις:

1. Οι διαστάσεις των καλωδίων πρέπει να συμμορφώνονται με τον ισχύοντα τοπικό και εθνικό κώδικα.

2. Το καλώδιο τροφοδοσίας και τα καλώδια σύνδεσης εσωτερικής/εξωτερικής μονάδας δεν θα πρέπει να είναι το ίδιο ή περισσότερο ελαφριά από το εύκαμπτο καλώδιο με περίβλημα πολυχλωροπρενίου (σχέδιο 60245 IEC 57).

3. Χρησιμοποιήστε καλώδιο γείωσης μεγαλύτερου μήκους από τα άλλα καλώδια ώστε να μην αποσυνδέεται σε περίπτωση που τεντωθεί.

Ποτέ μη συγκολλησετε το καλώδιο τροφοδοσίας ή το καλώδιο σύνδεσης εσωτερικής-εξωτερικής μονάδας, διαφορετικά μπορεί να προκληθεί καπνός, πυρκαγιά ή σφάλμα επικοινωνίας.







6. Ηλεκτρικές εργασίες

⚠ Προειδοποίηση:

Σε περίπτωση καλωδίωσης ελέγχου A, υπάρχει υψηλό δυναμικό τάσης στον ακροδέκτη S3 που προκαλείται από τη σχεδίαση του ηλεκτρικού κυκλώματος που δεν παρέχει μόνωση μεταξύ της γραμμής τροφοδοσίας και της γραμμής μετάδοσης του σήματος. Επομένως, κλείνετε πάντα την κεντρική τροφοδοσία πριν την εκτέλεση εργασιών συντήρησης. Και μην αγγίζετε τους ακροδέκτες S1, S2, S3 όταν αποκατασταθεί η τροφοδοσία. Εάν πρέπει να χρησιμοποιηθεί αποζεύκτης μεταξύ της εσωτερικής και της εξωτερικής μονάδας, χρησιμοποιήστε αποζεύκτη 3 πόλων.

ΠΡΟΔΙΑΓΡΑΦΕΣ ΚΑΛΩΔΙΩΣΗΣ ΓΙΑ 220-240 V 50 Hz (ΚΑΛΩΔΙΟ ΣΥΝΔΕΣΗΣ ΕΣΩΤΕΡΙΚΗΣ-ΕΞΩΤΕΡΙΚΗΣ ΜΟΝΑΔΑΣ)

Διατομή καλωδίου	Μέγεθος κλώνου (mm ²)	Πλήθος κλώνων	Πολικότητα	L (m)*6
Κυκλικό 	2,5	3	Δεξιόστροφα : S1-S2-S3 * Προσέξτε την κίτρινη και πράσινη ράβδωση	(30) *2
Επίπεδο 	2,5	3	Δεν ισχύει (Επειδή ο κεντρικός κλώνος δεν έχει περίβλημα)	Δεν ισχύει *5
Επίπεδο 	1,5	4	Από αριστερά προς τα δεξιά : S1-S2-S3	(18) *3
Κυκλικό 	2,5	4	Δεξιόστροφα : S1-S2-S3-Ανοικτό * Συνδέστε τα S1 και S3 στην αντίθετη γωνία	(30) *4

*1 : Τα καλώδια ηλεκτρικής παροχής των συσκευών δεν πρέπει να έχουν μικρότερο βάρος από τις προδιαγραφές των προτύπων 60245 IEC ή 227 IEC.

*2 : Στην περίπτωση που υπάρχει διαθέσιμο καλώδιο με κίτρινη και πράσινη ράβδωση.

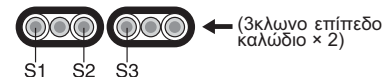
*3 : Σε περίπτωση σύνδεσης με κανονική πολικότητα (S1-S2-S3), το μέγεθος κλώ- νου είναι 1,5 mm².

*4 : Σε περίπτωση σύνδεσης με κανονική πολικότητα (S1-S2-S3).

*5 : Εάν τα επίπεδα καλώδια είναι συνδεδεμένα όπως σε αυτή την εικόνα, μπορούν να έχουν μήκος μέχρι 30 μέτρα.

*6 : Το αναφερόμενο μήκος καλωδίου χρησιμοποιεί μόνο για αναφορά.

Μπορεί να διαφέρει ανάλογα με τις συνθήκες της εγκατάστασης, υγρασία ή υλι- κά κτλ.



Προσέξτε να συνδέσετε τα εσωτερικά-εξωτερικά καλώδια σύνδεσης κατευθείαν στις μονάδες (χωρίς ενδιάμεση σύνδεση).

Οι ενδιάμεσες συνδέσεις μπορεί να οδηγήσουν σε σφάλματα επικοινωνίας αν εισχωρήσει νερό στα καλώδια και προκαλέσει ανεπαρκή μόνωση γείωσης ή κακή ηλεκτρική επαφή στο σημείο της ενδιάμεσης σύνδεσης.

7. Δοκιμαστική λειτουργία

7.1. Πριν από τη δοκιμαστική λειτουργία

▶ Μετά την εγκατάσταση και αφού τελειώσετε με την καλωδίωση και τη σωλήνωση της εσωτερικής και της εξωτερικής μονάδας, ελέγξτε για τυχόν διαρροή ψυκτικού, χαλαρά καλώδια ηλεκτρικής παροχής ή καλωδίωσης ελέγχου, λαθασμένη πολικότητα ή αποσύνδεση μίας από τις φάσεις της παροχής.

▶ Χρησιμοποιήστε ένα μεγόμετρο τάσης 500V για να ελέγξετε ότι η αντίσταση μεταξύ των τερματικών της ηλεκτρικής παροχής και της γείωσης είναι τουλάχιστο 1,0 MΩ (μεγάωμ).

▶ Μην εκτελέσετε αυτή τη δοκιμή στα τερματικά της καλωδίωσης ελέγχου (κύκλωμα χαμηλής τάσης).

⚠ Προειδοποίηση:

Μην χρησιμοποιήσετε το κλιματιστικό αν η αντίσταση μόνωσης είναι μικρότερη από 1,0 MΩ.

Αντίσταση μόνωσης

Μετά την εγκατάσταση ή αφού έχετε αποσυνδέσει το κλιματιστικό από την πηγή τροφοδοσίας για μεγάλο χρονικό διάστημα, η αντίσταση της μόνωσης θα πέσει κάτω από 1 MΩ εξαιτίας της συσσώρευσης ψυκτικού στο συμπιεστή. Αυτό δεν αποτελεί βλάβη. Εκτελέστε τις παρακάτω εργασίες.

1. Απομακρύνετε τα καλώδια από το συμπιεστή και μετρήστε την αντίσταση μόνωσης του συμπιεστή.
2. Αν η αντίσταση της μόνωσης είναι κάτω από 1 MΩ, ο συμπιεστής έχει βλάβη ή η αντίσταση έπεσε εξαιτίας της συσσώρευσης ψυκτικού στο συμπιεστή.
3. Αφού συνδέσετε τα καλώδια στο συμπιεστή, ο συμπιεστής θα αρχίσει να θερμαίνεται μόλις τροφοδοτηθεί με ρεύμα. Αφού τροφοδοτηθεί με ρεύμα για τους χρόνους που αναφέρονται παρακάτω, μετρήστε ξανά την αντίσταση της μόνωσης.

- Η αντίσταση μόνωσης πέφτει εξαιτίας της συσσώρευσης ψυκτικού στο συμπιεστή. Η αντίσταση θα ανέβει και πάλι πάνω από 1 MΩ αφού ο συμπιεστής θερμανθεί για 4 ώρες.
(Ο χρόνος που απαιτείται για τη θέρμανση του συμπιεστή ποικίλλει ανάλογα με τις συνθήκες του περιβάλλοντος και τη συσσώρευση ψυκτικού.)
 - Για να δουλέψει ο συμπιεστής με συσσωρευμένο ψυκτικό, πρέπει πρώτα να θερμανθεί τουλάχιστον 12 ώρες για να αποτραπεί ο κίνδυνος βλάβης.
4. Αν η αντίσταση της μόνωσης ανέβει πάνω 1 MΩ, ο συμπιεστής δεν έχει βλάβη.

⚠ Προσοχή:

- Ο συμπιεστής δεν θα λειτουργήσει εάν η φάση της ηλεκτρικής παροχής δεν είναι σωστή.
- Ανοίξτε τον διακόπτη τροφοδοσίας τουλάχιστον 12 ώρες πριν την έναρξη λειτουργίας.
- Αρχίζοντας τη λειτουργία της συσκευής αμέσως μετά το άνοιγμα του κεντρικού διακόπτη τροφοδοσίας, ενδέχεται να προκληθεί σοβαρή ζημιά σε εσωτερικά τμήματα. Κατά την εποχή διάρκειας λειτουργίας της συσκευής, αφήστε τον διακόπτη τροφοδοσίας αναμμένο.

▶ Πρέπει επίσης να ελέγξετε τα παρακάτω.

- Η εξωτερική μονάδα δεν έχει βλάβη. Οι ενδεικτικές λυχνίες LED1 και LED2 στον πίνακα ελέγχου της εξωτερικής μονάδας αναβοσβήνουν όταν η εξωτερική μονάδα παρουσιάζει βλάβη.
- Οι ανασταλτικές βαλβίδες και της γραμμής υγρού και της γραμμής αερίου είναι εντελώς ανοικτές.
- Ένα προστατευτικό φύλλο καλύπτει την επιφάνεια των κωδικοδιακοπών στον πίνακα ελέγχου της εξωτερικής μονάδας. Αφαιρέστε το προστατευτικό φύλλο για να μπορείτε να αλλάξετε ευκολότερα θέση στους διακόπτες.

7.2. Δοκιμαστική λειτουργία

7.2.1. Χρησιμοποιώντας SW4 στην εξωτερική μονάδα

SW4-1	ON	Λειτουργία ψύξης
SW4-2	OFF	
SW4-1	ON	Λειτουργία θέρμανσης
SW4-2	ON	

* Αιού κάνετε τη δοκιμαστική λειτουργία, ρυθμίστε τον διακόπτη SW4-1 στη θέση OFF.

• Μετά την τροφοδοσία με ρεύμα, ίσως ακουστεί ένας σιγανός ήχος κλικ από την εσωτερική μονάδα. Η ηλεκτρονική βαλβίδα εκτόνωσης ανοίγει και κλείνει. Αυτό δεν σημαίνει ότι η μονάδα έχει βλάβη.

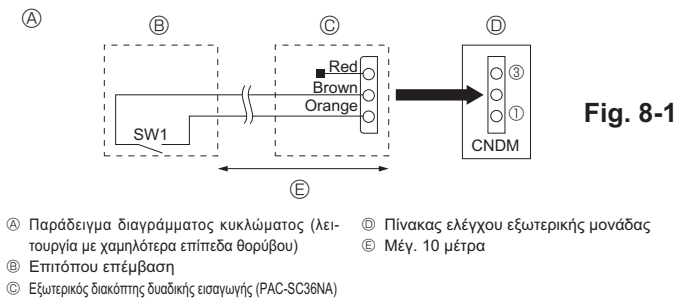
- Λίγα δευτερόλεπτα μετά τη λειτουργία του συμπιεστή, ίσως ακουστεί ένας μεταλλικός ήχος από την εσωτερική μονάδα. Ο ήχος αυτός προέρχεται από τη βαλβίδα ελέγχου εξαιτίας της μικρής διαφοράς πίεσης στους σωλήνες. Αυτό δεν σημαίνει ότι η μονάδα έχει βλάβη.

Ο τρόπος λειτουργίας της μονάδας κατά τη δοκιμαστική λειτουργία δεν αλλάζει με τον κωδικοδιακόπτη SW4-2 ενώ εκτελείται η δοκιμαστική λειτουργία. (Για να αλλάξετε τον τρόπο λειτουργίας της μονάδας κατά τη δοκιμαστική λειτουργία, διακόψτε τη δοκιμαστική λειτουργία με το διακόπτη SW4-1. Αφού αλλάξετε τον τρόπο λειτουργίας, επαναλάβετε τη δοκιμαστική λειτουργία της μονάδας με το διακόπτη SW4-1.)

7.2.2. Χρήση του τηλεχειριστηρίου

Ανατρέξτε στο εγχειρίδιο εγκατάστασης της εσωτερικής μονάδας.

8. Ειδικές λειτουργίες

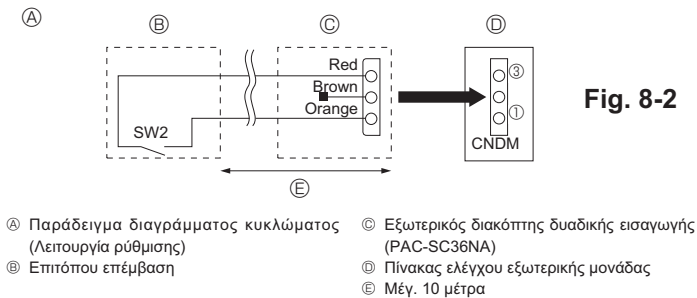


8.1. Λειτουργία με χαμηλότερα επίπεδα θορύβου (επιτόπου τροποποίηση) (Fig. 8-1)

Με την παρακάτω τροποποίηση, μπορεί να μειωθεί ο θόρυβος από τη λειτουργία της μονάδας κατά περίπου 3-4 dB.

Η λειτουργία με χαμηλότερα επίπεδα θορύβου είναι εφικτή όταν συνδεθεί στη φάσα CNDM (πωλείται ξεχωριστά) του πίνακα ελέγχου της εξωτερικής μονάδας ένας χρονοδιακόπτης του εμπορίου ή η είσοδος επαφής ενός διακόπτη ON/OFF.

- Η μείωση του θορύβου ποικίλλει ανάλογα με την εξωτερική θερμοκρασία και τις συνθήκες του περιβάλλοντος κτλ.
- ① Κλείστε το κύκλωμα όπως δείχνει η εικόνα όταν χρησιμοποιείτε εξωτερικό διακόπτη δυαδικής εισαγωγής (PAC-SC36NA). (Πωλείται ξεχωριστά)
- ② SW1 ON: Λειτουργία με χαμηλότερα επίπεδα θορύβου
SW1 OFF: Κανονική λειτουργία



8.2. Λειτουργία ρύθμισης (επιτόπου τροποποίηση) (Fig. 8-2)

Με την παρακάτω τροποποίηση, η κατανάλωση ενέργειας μπορεί να μειωθεί στο 0-100% της κανονικής κατανάλωσης.

Η λειτουργία ρύθμισης θα ενεργοποιηθεί όταν συνδεθεί στη φάσα CNDM (πωλείται ξεχωριστά) ένας χρονοδιακόπτης του εμπορίου ή η είσοδος επαφής ενός διακόπτη ON/OFF (Ενεργοποίηση/Απενεργοποίηση).

- ① Κλείστε το κύκλωμα όπως δείχνει η εικόνα όταν χρησιμοποιείτε εξωτερικό διακόπτη δυαδικής εισαγωγής (PAC-SC36NA). (Πωλείται ξεχωριστά)
- ② Ρυθμίζοντας τους διακόπτες επιλογής SW7-1 και SW7-2 στον πίνακα ελέγχου της εξωτερικής μονάδας, η κατανάλωση ενέργειας (συγκριτικά με την κανονική κατανάλωση) μπορεί να περιοριστεί, όπως φαίνεται παρακάτω.

SW7-1	SW7-2	Κατανάλωση ενέργειας (SW2 ON)
OFF	OFF	0% (Διακοπή)
ON	OFF	50%
OFF	ON	75%

8.3. Εκκένωση του ψυκτικού (άντληση)

Ακολουθήστε την παρακάτω διαδικασία για την εκκένωση του ψυκτικού όταν πρόκειται να μετακινήσετε την εσωτερική ή την εξωτερική μονάδα.

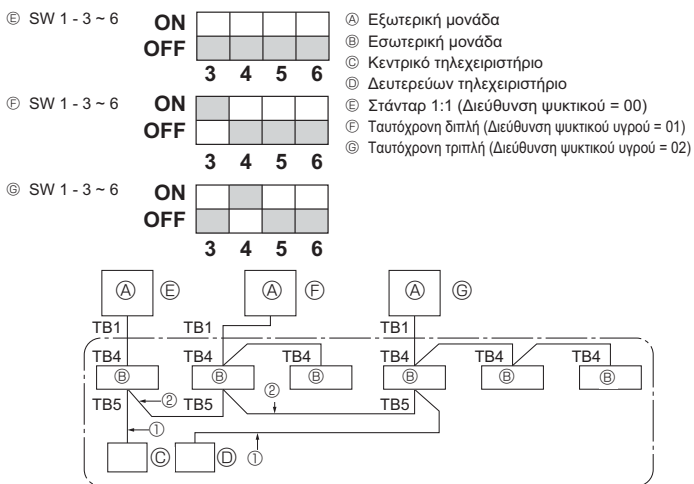
- ① Τροφοδοτήστε με ρεύμα το κλιματιστικό (διακόπτης κυκλώματος).
 - * Κατά την τροφοδοσία με ρεύμα, βεβαιωθείτε ότι στο τηλεχειριστήριο δεν εμφανίζεται η ένδειξη "CENTRALLY CONTROLLED". Αν εμφανίζεται η ένδειξη "CENTRALLY CONTROLLED", τότε η εκκένωση (άντληση) του ψυκτικού δεν μπορεί να γίνει με το συνηθισμένο τρόπο.
 - * Χρειάζονται περίπου 3 λεπτά για την έναρξη της επικοινωνίας μεταξύ της εσωτερικής και της εξωτερικής μονάδας μετά την ενεργοποίηση της τροφοδοσίας (διακόπτης δικτύου). Εκκινήστε τη διαδικασία εκκένωσης 3 έως 4 λεπτά μετά την ενεργοποίηση της τροφοδοσίας (διακόπτης δικτύου).
- ② Αφού κλείσετε την ανασταλτική βαλβίδα της γραμμής υγρού, γυρίστε το διακόπτη SWP στον πίνακα ελέγχου της εξωτερικής μονάδας στη θέση ON. Ο συμπιεστής (εξωτερική μονάδα) και οι ανεμιστήρες (εσωτερική και εξωτερική μονάδα) αρχίζουν να λειτουργούν και η εκκένωση του ψυκτικού αρχίζει. Οι λυχνίες LED1 και LED2 στον πίνακα ελέγχου της εξωτερικής μονάδας είναι αναμμένες.
 - * Βάλτε το διακόπτη SWP (τύπου κουμπιού) στη θέση ON όταν η μονάδα σταματήσει να λειτουργεί. Ωστόσο, ακόμη και εάν η μονάδα έχει σταματήσει να λειτουργεί και γυρίσετε το διακόπτη SWP στη θέση ON πριν περάσουν 3 λεπτά από τη διακοπή της λειτουργίας του συμπιεστή, δεν είναι δυνατή η εκτέλεση της λειτουργίας εκκένωσης ψυκτικού. Περιμένετε μέχρι να περάσουν τουλάχιστον 3 λεπτά αφού σταματήσει να λειτουργεί ο συμπιεστής και μετά βάλτε ξανά το διακόπτη SWP στη θέση ON.

- ③ Δεδομένου ότι η λειτουργία της μονάδας σταματά αυτόματα ύστερα από 2 ή 3 λεπτά μετά την ολοκλήρωση της διαδικασίας συλλογής ψυκτικού υγρού (λυχνία LED1 σβηστή, λυχνία LED2 αναμμένη), φροντίστε να κλείσετε σύντομα τη βαλβίδα διακοπής κυκλοφορίας αερίου. Εάν η λυχνία LED1 είναι αναμμένη και η λυχνία LED2 σβηστή και η λειτουργία της εξωτερικής μονάδας έχει σταματήσει, δεν εκτελείται σωστά η διαδικασία συλλογής ψυκτικού υγρού. Ανοίξτε εντελώς τη βαλβίδα διακοπής κυκλοφορίας του υγρού και επαναλάβετε το βήμα ② αφού περάσουν 3 λεπτά.
 - * Εάν η διαδικασία συλλογής του ψυκτικού υγρού ολοκληρωθεί κανονικά (λυχνία LED1 σβηστή, λυχνία LED2 αναμμένη), η μονάδα θα παραμείνει σταματημένη έως ότου απενεργοποιηθεί η τροφοδοσία ρεύματος.
- ④ Διακόψτε την τροφοδοσία ρεύματος (διακόπτης κυκλώματος).
 - * Λάβετε υπόψη σας ότι όταν οι σωληνώσεις επέκτασης είναι πολύ μακριές και έχουν μεγάλες ποσότητες ψυκτικού υγρού, ενδέχεται να μην είναι δυνατή η εκτέλεση της διαδικασίας εκκένωσης. Όταν πραγματοποιείτε την άντληση, βεβαιωθείτε ότι η χαμηλή πίεση είναι μικρότερη ή κοντά στα 0 MPa (μετρητής).

⚠ Προειδοποίηση:

Κατά την εκκένωση του ψυκτικού, σταματήστε το συμπιεστή πριν αποσυνδέσετε τους σωλήνες ψυκτικού. Ο συμπιεστής ενδέχεται να εκραγεί εάν εισέλθει στο εσωτερικό του αέρα κ.τ.λ.

9. Έλεγχος συστήματος (Fig. 9-1)



- * Ρυθμίστε τη διεύθυνση του ψυκτικού υγρού με το διακόπτη συσκευασίας της εξωτερικής μονάδας.

① Σύνδεση με καλώδιο από το Τηλεχειριστήριο
 Το καλώδιο αυτό συνδέεται με το TB5 (πλακίδιο ακροδεκτών του τηλεχειριστηρίου) της εσωτερικής μονάδας (μη πολικό).

② Όταν γίνεται χρήση ενός διαφορετικού συστήματος ψυκτικού υγρού. Μπορούν να ελέγχονται μέχρι 16 συστήματα ψυκτικού υγρού, ως μία ομάδα, χρησιμοποιώντας το λεπτό τηλεχειριστήριο MA.

Παρατήρηση:

Σε απλό σύστημα ψυκτικού (διπλό/τριπλό), δεν υπάρχει ανάγκη καλωδίωσης ②.

SW1 Πίνακας λειτουργιών	Λειτουργία	Λειτουργία ανάλογα με τη ρύθμιση του διακόπτη	
		ON	OFF
<SW1> ON [] [] [] [] [] [] OFF [] [] [] [] [] [] 1 2 3 4 5 6	1 Υποχρεωτική απόψυξη	Έναρξη	Φυσιολογική
	2 Διαγραφή ιστορικού σφαλμάτων	Διαγραφή	Φυσιολογική
	3 Ορισμός διεύθυνσης συστήματος	Ρυθμίσεις για τις διευθύνσεις εξωτερικής μονάδας 0 έως 15	
	4		
	5		
	6		

1. Precauções de Segurança	65	6. Trabalho de electricidade	70
2. Localização da instalação	66	7. Ensaio	72
3. Instalação da unidade exterior	67	8. Funções especiais	73
4. Instalação da tubagem do refrigerante	68	9. Controlo do sistema (Fig. 9-1)	73
5. Trabalho de tubagem de drenagem	70		

1. Precauções de Segurança

- ▶ Antes de instalar a unidade, leia atentamente as “Precauções de segurança”.
- ▶ Reporte-se ou peça autorização à autoridade responsável pelo fornecimento antes de proceder à ligação do sistema.
- ▶ “Este equipamento está em conformidade com a norma IEC 61000-3-12, desde que a potência de curto-circuito SSC seja igual ou superior à S_{sc} (*1) no ponto de interface entre a alimentação usada pelo utilizador e o sistema público. Cabe ao instalador ou utilizador do equipamento assegurar, se necessário consultando o operador da rede de distribuição, que o equipamento é ligado exclusivamente a um tipo de alimentação com uma potência de curto-circuito S_{sc} igual ou superior à S_{sc} (*1)”

S_{sc} (*1)	
Modelo	S_{sc} (MVA)
PUHZ-P200	1.35
PUHZ-P250	1.49

⚠ Aviso:

- A unidade não deve ser instalada pelo utilizador. Peça a um concessionário ou electricista qualificado que a instale. Se a unidade não for instalada correctamente, podem ocorrer fugas de água, choques eléctricos ou incêndios.
- Para proceder à instalação, siga as instruções do Manual de Instruções e utilize ferramentas e componentes da tubagem especificamente concebidos para utilização com o refrigerante R410A. O refrigerante R410A no sistema HFC é comprimido 1,6 vezes mais do que a pressão dos refrigerantes comuns. Se forem utilizados componentes da tubagem que não tenham sido concebidos especificamente para o refrigerante R410A ou se a unidade não tiver sido instalada correctamente, a tubagem pode rebeitar e provocar danos ou ferimentos. Para além disso, podem ainda ocorrer fugas de água, choques eléctricos ou incêndios.
- A unidade deve ser instalada de acordo com as instruções, para minimizar o risco de danos sofridos devido a tremores de terra ou ventos fortes. Uma unidade instalada incorrectamente pode cair e provocar danos ou ferimentos.
- A unidade deve ser instalada com segurança numa estrutura que suporte o seu peso. Se a unidade for montada numa estrutura instável, poderá cair e provocar danos ou ferimentos.
- Se o aparelho de ar condicionado for instalado num compartimento pequeno, deverão ser tiradas medidas por forma a evitar que a concentração do refrigerante exceda o limite de segurança, mesmo que ocorram fugas de refrigerante. Consulte um concessionário relativamente às medidas a adoptar no sentido de evitar que a concentração permitida seja excedida. Em caso de fuga de refrigerante e de ultrapassagem do limite de concentração, poderá haver potenciais perigos devido à falta de oxigénio no compartimento.
- Ventile o compartimento em caso de fuga de refrigerante durante o funcionamento. Se o refrigerante entrar em contacto com fogo, serão libertados gases tóxicos.
- Todos os trabalhos de electricidade devem ser levados a cabo por um electricista qualificado e em conformidade com a regulamentação local e as instruções fornecidas neste manual. As unidades devem ser alimentadas através de cabos de alimentação dedicados e deve utilizar-se a voltagem correcta e os disjuntores adequados. Caso sejam usados cabos de alimentação com capacidade insuficiente ou haja trabalhos de electricidade mal efectuados, tal poderá originar choques eléctricos ou incêndios.
- Utilize fósforo de cobre C1220, para tubagens de cobre ou de liga de cobre

1.1. Antes da instalação

⚠ Cuidado:

- Não utilize a unidade num ambiente invulgar. Se o aparelho de ar condicionado for instalado em áreas expostas a vapor, óleo volátil (incluindo óleo de máquinas) ou a gás sulfúrico, áreas expostas a uma grande concentração de sal, tal como à beira-mar, ou áreas onde a unidade possa ser coberta por neve, o rendimento poderá ser significativamente reduzido e as peças internas podem ser danificadas.
- Não instale a unidade onde possam ocorrer fugas, produção, fluxo ou acumulação de gases combustíveis. Em caso de acumulação de gás combustível em torno da unidade, podem ocorrer incêndios ou explosões.
- A unidade exterior produz condensação durante a operação de aquecimento. Assegure-se de que existe drenagem suficiente em torno da unidade exterior caso a referida condensação possa causar danos.

1.2. Antes da instalação (transferência)

⚠ Cuidado:

- Ter muito cuidado durante o transporte ou instalação das unidades. São precisas 2 ou mais pessoas para transportar a unidade, uma vez que esta pesa 20 kg ou mais. Não agarre nas bandas da embalagem. Usar luvas de protecção para retirar a unidade da respectiva embalagem e deslocá-la, pois pode ferir as mãos nas alhetas ou nas arestas de outros componentes.
- Assegure-se de que elimina com segurança os materiais de embalagem. Materiais de embalagem tais como pregos e outras peças em metal ou madeira podem provocar cortes ou outros ferimentos.

⚠ Aviso:

Descreve as precauções a observar para evitar riscos de ferimentos ou morte ao utilizador.

⚠ Cuidado:

Descreve os cuidados a ter para não danificar a unidade.

Após ter concluído a instalação, explique as “Precauções de Segurança”, a utilização e a manutenção da unidade ao cliente, de acordo com as informações do Manual de Funcionamento, e efectue um ensaio para verificar se a unidade está a funcionar correctamente. O Manual de Instalação e o Manual de Funcionamento devem ser fornecidos ao utilizador, para que este os guarde. Os referidos manuais deverão ser fornecidos a utilizadores futuros.

Ⓛ : Indica uma peça a ligar à terra.

⚠ Aviso:

Leia atentamente os rótulos afixados na unidade principal.

sem juntas, para ligar a tubagem do refrigerante. Se a tubagem não for ligada correctamente, a unidade não será devidamente ligada à terra, o que poderá provocar choques eléctricos.

- Utilize apenas os cabos eléctricos indicados. As ligações devem ser efectuadas de modo seguro e sem tensão nos terminais. Do mesmo modo, nunca una os cabos para ligação (salvo especificado em contrário neste documento). A inobservância destas instruções pode resultar num sobreaquecimento ou num incêndio.
- O painel da tampa do bloco terminal da unidade externa deve estar bem fixo. Se o painel da tampa for montado incorrectamente e entrar poeira e humidade na unidade, podem ocorrer choques eléctricos ou incêndio.
- Ao instalar ou mudar o aparelho de ar condicionado de sítio, utilize apenas o refrigerante especificado (R410A) para carregar as linhas de refrigerante. Não o misture com qualquer outro refrigerante e assegure-se de que não fica ar nas linhas.
Se o ar for misturado com o refrigerante, tal pode causar uma pressão alta anómala na linha do refrigerante, o que pode resultar numa explosão e outros perigos.
O uso de qualquer refrigerante diferente do especificado para o sistema causará uma falha mecânica ou avaria do sistema ou falta da unidade. No pior dos casos, isto pode comprometer seriamente a segurança do produto.
- Utilize só acessórios autorizados pela Mitsubishi Electric e peça ao seu distribuidor ou a uma empresa autorizada que os instale. Se os acessórios não forem correctamente instalados, podem ocorrer fugas de água, choques eléctricos ou incêndios.
- Não modifique a unidade. Consulte um distribuidor caso seja necessário proceder a reparações. Se as modificações ou reparações não forem devidamente efectuadas, podem ocorrer fugas de água, choques eléctricos ou incêndios.
- O utilizador nunca deve tentar reparar a unidade ou transferi-la para outro local. Se a unidade for instalada incorrectamente, podem ocorrer fugas de água, choques eléctricos ou incêndios. Se o aparelho de ar condicionado tiver que ser reparado ou transferido para outro local, peça a um distribuidor ou electricista qualificado que efectue essa tarefa.
- Depois de a instalação estar concluída, verifique se não existem fugas de refrigerante. Se ocorrer uma fuga de refrigerante no compartimento e entrar em contacto com uma chama proveniente de outro dispositivo, serão libertados gases tóxicos.

- Ao instalar a unidade num hospital ou gabinete de comunicações, não estranhe se se verificar ruído e interferência eléctrica. Inversores, electrodomésticos, equipamento médico de alta frequência e equipamento de comunicação por rádio podem provocar mau funcionamento ou avaria do aparelho de ar condicionado. O ar condicionado também pode afectar equipamento médico, perturbando a prestação dos serviços médicos, e equipamento de comunicações, comprometendo a qualidade da imagem de ecrãs.

- A base e os acessórios da unidade exterior devem ser verificados periodicamente, a fim de detectar possíveis folgas, fendas ou outros danos. Se tais danos não forem corrigidos, a unidade poderá cair e provocar acidentes ou ferimentos.
- Não limpe o aparelho de ar condicionado com água. Poderá provocar choques eléctricos.
- Aperte bem todas as porcas afuniladas, utilizando uma chave dinamómetro. Se as porcas forem demasiadamente apertadas, podem quebrar passado algum tempo e originar uma fuga de refrigerante.

1. Precauções de Segurança

1.3. Antes do trabalho de elect tricidade

⚠ Cuidado:

- Assegure-se de que instala disjuntores. Se não forem instalados disjuntores, podem ocorrer choques eléctricos.
- Para as linhas de alta tensão, utilize cabos normalizados de capacidade suficiente. De outro modo, poderá ocorrer um curto-circuito, sobreaquecimento ou incêndio.
- Ao instalar as linhas de alimentação, não aplique tensão nos cabos. Se existir mau contacto nas ligações, os cabos podem rebentar ou partir, originando sobreaquecimento ou incêndio.

1.4. Antes de iniciar o ensaio

⚠ Cuidado:

- Ligue o interruptor principal de corrente mais de doze horas antes de dar início ao funcionamento. Se o funcionamento tiver início imediatamente depois de ligar o interruptor principal, tal poderá danificar seriamente as peças internas. Mantenha o interruptor ligado durante a estação operacional.
- Antes de o funcionamento ter início, verifique se todos os painéis e outras peças de protecção foram correctamente instalados. Peças rotativas, quentes ou de alta tensão podem causar ferimentos.
- Não toque em nenhum interruptor com as mão molhadas. Poderá provocar choques eléctricos.

1.5. Utilização de aparelhos de ar condicionado refrigerantes R410A

⚠ Cuidado:

- Utilize nova tubagem do refrigerante. Considere as indicações que se seguem se reutilizar tubos que transportavam refrigerante R22.
 - Certifique-se de que limpa os tubos e de que o interior destes está limpo.
 - Substitua as porcas afuniladas existentes e afunile as secções apertadas novamente.
 - Não utilize tubos finos. (Consulte a 4.1.)
- Utilize fósforo de cobre C1220, para tubagens de cobre ou de liga de cobre sem juntas, para ligar a tubagem do refrigerante. Certifique-se de que o interior da tubagem está limpo e não contém substâncias tóxicas, tais como compostos de enxofre, oxidantes, sujidade ou poeira. Utilize tubos com a espessura indicada. (Consulte a 4.1.)
- Mantenha os tubos a utilizar na instalação protegidos e ambas as extremidades tapadas até ao momento de serem soldadas. (Deixe as juntas curvas, etc., na embalagem.) Se entrar poeira, sujidade ou humidade nas linhas do refrigerante, poderá ocorrer deterioração do óleo ou avaria do compressor.
- Utilize óleo de éster, de éter ou de alquilbenzeno (pequenas quantidades) como óleo de refrigeração para revestir as secções afuniladas. Se se misturar óleo mineral com o óleo de refrigeração, pode ocorrer uma deterioração do óleo.

- Assegure-se de que liga a unidade à terra. Não ligue o fio terra a canos de gás ou de água, pára-raios ou linhas telefónicas de ligação à terra. Se a unidade não for devidamente ligada à terra, poderão ocorrer choques eléctricos.
- Utilize disjuntores (interruptor de falha de ligação à terra, interruptor de isolamento (fusível +B) e disjuntor com protecção moldada) com a capacidade especificada. Se a capacidade do disjuntor for superior à capacidade especificada, podem ocorrer avarias ou incêndios.

- Quando o aparelho de ar condicionado estiver a funcionar, não toque nos tubos do refrigerante sem qualquer protecção nas mãos. Os tubos do refrigerante podem estar quentes ou frios, dependendo do estado do refrigerante em circulação. Se tocar nos tubos, poderá sofrer queimaduras.
- Após interromper o funcionamento, espere pelo menos cinco minutos antes de desligar o interruptor principal. De outro modo, poderá originar fugas de água ou avarias.

- Utilize unicamente refrigerante R410A. Se utilizar outro refrigerante, o clo-ro provocará a deterioração do óleo.
- Utilize uma bomba de vácuo com uma válvula de retenção do fluxo inverso. Se o óleo da bomba de vácuo fluir no sentido inverso para a tubagem do refrigerante, o óleo refrigerante pode ficar deteriorado.
- Utilize as ferramentas que se seguem, especificamente concebidas para serem utilizadas com o refrigerante R410A. As ferramentas que se seguem são necessárias para a utilização do refrigerante R410A. Contacte o seu distribuidor caso tenha alguma questão a colocar.

Ferramentas (para R410A)	
Colector do manómetro	Instrumento de afunilamento
Tubo flexível de carga	Manómetro de ajuste de tamanho
Detector de fugas de gás	Adaptador da bomba de vácuo
Chave dinamómetro	Escala electrónica de abastecimento de refrigerante

- Assegure-se de que utiliza as ferramentas correctas. Se entrar poeira, sujidade ou humidade nas linhas do refrigerante, poderá ocorrer deterioração do óleo de refrigeração.
- Não utilize uma botija de abastecimento. Se utilizar uma botija de abastecimento, a composição do refrigerante será alterada e o grau de eficiência será inferior.

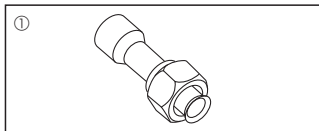


Fig. 1-1

1.6. Acessórios da unidade exterior (Fig. 1-1)

As peças ilustradas à esquerda são os acessórios desta unidade, que se encontram na parte interior do painel de manutenção.

- ① Tubo de junção.....x1

2. Localização da instalação

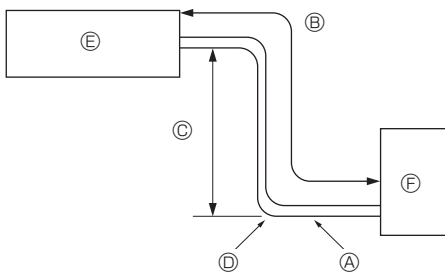


Fig. 2-1

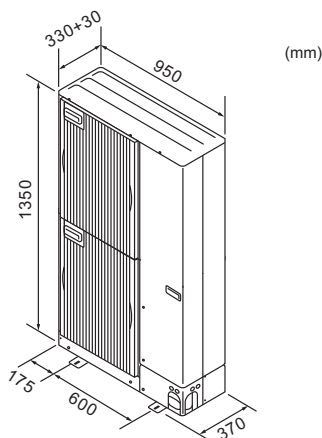


Fig. 2-2

2.1. Tubo de refrigerante (Fig. 2-1)

- ▶ Verifique se a diferença entre as alturas das unidades interior e exterior, o comprimento da tubagem de refrigeração e o número de curvas na tubagem se encontram dentro dos limites abaixo indicados.

Modelos	Ⓐ Tamanho do tubo(mm)		Ⓑ Comprimento da tubagem (um só sentido)	Ⓒ Diferença de altura	Ⓓ Número de curvas (um só sentido)
	Lado do gás	Lado do líquido			
P200	ø25,4	ø9,52	Max. 70 m	Max. 30 m	Max. of 15
P250	(ø28,58)	ø12,7	Max. 70 m	Max. 30 m	Max. of 15

- Os limites de diferença de altura são impostos, independentemente de qual das unidades, interior ou exterior, estiver colocada mais alto.

- Ⓔ Unidade interior
- Ⓕ Unidade exterior

2.2. Selecção do local de instalação da unidade exterior

- Evite locais sujeitos a luz solar directa ou outras fontes de calor.
- Seleccione um local onde o ruído produzido pela unidade não incomode os vizinhos.
- Seleccione um local que permita um acesso fácil dos cabos e tubos à fonte de alimentação e unidade interior.
- Evite locais onde possam ocorrer fugas, produção, fluxo ou acumulação de gases combustíveis.
- Lembre-se que poderá ocorrer gotejamento de água durante o funcionamento.
- Seleccione um local capaz de sustentar o peso e a vibração da unidade.
- Evite locais onde a unidade possa ser coberta por neve. Em áreas em que costume nevar muito, devem tomar-se precauções especiais, tais como elevar o local de instalação ou instalar uma tampa no orifício de admissão de ar, no sentido de evitar que a neve impeça a admissão de ar ou caia directamente sobre o orifício de admissão de ar. Este facto poderá reduzir o fluxo de ar, causando uma avaria.
- Evite locais expostos a óleo, vapor ou gás sulfúrico.
- Utilize as pernas da unidade exterior para transportar a unidade. Se a unidade for transportada pegando por baixo, as mãos ou os dedos poderão ser trilhados.

2.3. Dimensões globais (Unidade exterior) (Fig. 2-2)

2. Localização da instalação

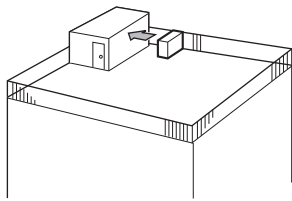


Fig. 2-3

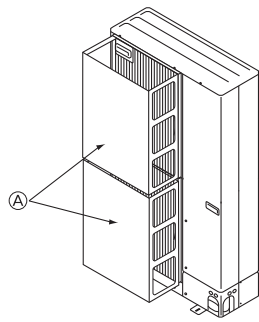


Fig. 2-4

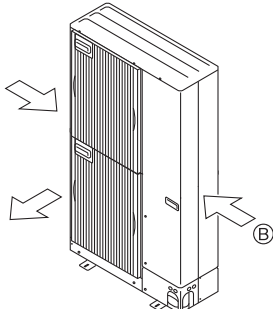


Fig. 2-5

2.4. Ventilação e espaço de manutenção

2.4.1. Instalação em locais sujeitos a ventos

Ao instalar a unidade exterior num telhado ou nouro local desprotegido do vento, situe a saída de ar da unidade de modo a que não esteja exposta directamente a ventos fortes. A entrada de vento na saída de ar poderá impedir o normal fluxo de ar e provocar avarias.

Apresentam-se abaixo três exemplos de precauções que se podem tomar contra os ventos fortes.

- ① Direcione a saída de ar para a parede mais próxima a uma distância de cerca de 50 cm. (Fig. 2-3)
- ② Instale uma guia de ar opcional se a unidade estiver instalada num local sujeito a fortes ventos, que podem entrar directamente na saída de ar. (Fig. 2-4)
 - Ⓐ Guia de ar
- ③ Posicione a unidade de forma a que o ar seja libertado perpendicularmente à direcção do vento, se possível. (Fig. 2-5)
 - Ⓑ Direcção do vento

2.4.2. Quando instalar uma só unidade exterior (Consulte a última página)

As dimensões mínimas são as seguintes, excepto para máx. (dimensões máximas), as quais também estão indicadas.

Para cada caso consulte as figuras.

- ① Obstáculos apenas na parte de trás (Fig. 2-6)
- ② Obstáculos apenas na parte de trás e por cima (Fig. 2-7)
- ③ Obstáculos apenas na parte de trás e nos lados (Fig. 2-8)
- ④ Obstáculos apenas na parte da frente (Fig. 2-9)
 - Quando se utiliza uma guia de saída de ar opcional, a folga deve ser de 500 mm ou mais.
- ⑤ Obstáculos apenas na parte da frente e de trás (Fig. 2-10)
 - Quando se utiliza uma guia de saída de ar opcional, a folga deve ser de 500 mm ou mais.
- ⑥ Obstáculos apenas na parte de trás, nos lados e por cima (Fig. 2-11)
 - Não utilize as guias de saída opcionais para o fluxo de ar ascendente.

2.4.3. Quando instalar várias unidades exteriores (Consulte a última página)

Deixe uma distância de 10 mm ou mais entre as unidades.

- ① Obstáculos apenas na parte de trás (Fig. 2-12)
- ② Obstáculos apenas na parte de trás e por cima (Fig. 2-13)
 - Não devem ser instaladas mais de três unidades lado a lado. Para além disso, deve deixar distância entre elas, tal como se demonstra.
 - Não utilize as guias de saída opcionais para o fluxo de ar ascendente.
- ③ Obstáculos apenas na parte da frente (Fig. 2-14)
 - Quando se utiliza uma guia de saída de ar opcional, a folga deve ser de 1000 mm ou mais.
- ④ Obstáculos apenas na parte da frente e de trás (Fig. 2-15)
 - Quando se utiliza uma guia de saída de ar opcional, a folga deve ser de 1000 mm ou mais.
- ⑤ Disposição de uma unidade em paralelo (Fig. 2-16)
 - Quando se utiliza uma guia de saída de ar opcional instalada para fluxo de ar ascendente, a folga é de 1000 mm ou mais.
- ⑥ Disposição de várias unidades em paralelo (Fig. 2-17)
 - Quando se utiliza uma guia de saída de ar opcional instalada para fluxo de ar ascendente, a folga é de 1500 mm ou mais.
- ⑦ Disposição de unidades sobrepostas (Fig. 2-18)
 - Podem ser sobrepostas até duas unidades.
 - Não devem ser instaladas mais de duas unidades sobrepostas lado a lado. Para além disso, deve deixar distância entre elas, tal como se demonstra.

3. Instalação da unidade exterior

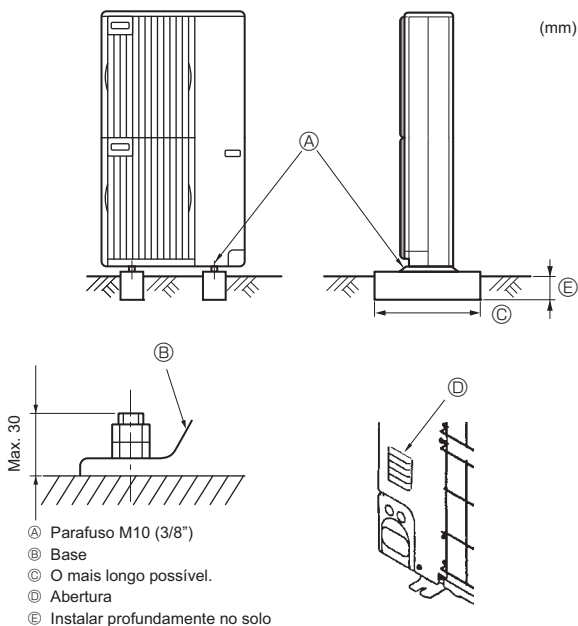


Fig. 3-1

- Certifique-se de instalar a unidade numa superfície firme e nivelada para evitar estrépitos durante a operação. (Fig. 3-1)

<Especificações de fundação>

Parafuso da fundação	M10 (3/8")
Espessura do betão	120 mm
Comprimento do parafuso	70 mm
Capacidade de carga	320 kg

- Certifique-se de que o comprimento do parafuso da fundação esteja dentro de 30 mm da superfície inferior da base.
- Fixe a base da unidade firmemente com quatro parafusos de fundação M10 em locais resistentes.

Instalação da unidade exterior

- Não tape a abertura. Se a abertura for tapada, o funcionamento será impedido, o que poderá provocar uma avaria.
- Para além da base da unidade, utilize os furos de instalação na parte posterior da unidade para prender fios, etc., se for necessário para instalar a unidade. Utilize parafusos roscados (ø5 × 15 mm ou menos) e instale no local.

⚠ Aviso:

- A unidade deve ser instalada com segurança numa estrutura que suporte o seu peso. Se a unidade for montada numa estrutura instável, poderá cair e provocar danos ou ferimentos.
- A unidade deve ser instalada de acordo com as instruções, para minimizar o risco de danos sofridos devido a tremores de terra ou ventos fortes. Uma unidade instalada incorrectamente pode cair e provocar danos ou ferimentos.

4. Instalação da tubagem do refrigerante

4.1. Precauções para dispositivos que utilizam o refrigerante R410A

- Consulte a 1.5, que contém outras precauções relativamente à utilização de aparelhos de ar condicionado com o refrigerante R410A.
- Utilize óleo de éster, de éter ou de alquilbenzeno (pequenas quantidades) como óleo de refrigeração para revestir as secções afuniladas.
- Utilize fósforo de cobre C1220, para tubagens de cobre ou de liga de cobre sem juntas, para ligar a tubagem do refrigerante. Utilize tubos de refrigerante com a espessura especificada na tabela. Certifique-se de que o interior da tubagem está limpo e não contém substâncias tóxicas, tais como compostos de enxofre, oxidantes, sujidade ou poeira.

Aplicar sempre soldadura inoxidável para soldar os tubos, pois de outra forma o compressor sofrerá danos.

⚠ Aviso:

Ao instalar ou mudar o aparelho de ar condicionado de sítio, utilize apenas o refrigerante especificado (R410A) para carregar as linhas de refrigerante. Não o misture com qualquer outro refrigerante e assegure-se de que não fica ar nas linhas.

Se o ar for misturado com o refrigerante, tal pode causar uma pressão alta anómala na linha do refrigerante, o que pode resultar numa explosão e outros perigos.

O uso de qualquer refrigerante diferente do especificado para o sistema causará uma falha mecânica ou avaria do sistema ou falta da unidade. No pior dos casos, isto pode comprometer seriamente a segurança do produto.

Tamanho do tubo (mm)	ø6,35	ø9,52	ø12,7	ø15,88	ø19,05	ø22,2	ø25,4	ø28,58
Espessura (mm)	0,8	0,8	0,8	1,0	1,0	1,0	1,0	1,0

- Não utilize tubos com uma espessura menor do que a indicada.

4.2. Tubos de ligação

- Se forem utilizados tubos de cobre comercialmente disponíveis, limpe os tubos de líquido e de gás com materiais de isolamento comercialmente disponíveis (resistentes ao calor de 100 °C ou mais, com uma espessura de 12 mm ou mais).
- As peças internas do tubo de drenagem devem ser limpas com materiais de isolamento de espuma de polietileno (gravidade específica de 0,03 de espessura de 9 mm ou mais).
- Aplique uma fina camada de óleo refrigerante ao tubo e à superfície de costura da junta antes de apertar a porca do tubo. Ⓐ (Fig. 4-1)
- Aperte os tubos de ligação com duas chaves. Ⓑ (Fig. 4-1)
- Depois de feitas as ligações, utilize um detector de fugas ou água de sabão para se certificar de que não há fugas de gás.
- Aplique óleo de máquina refrigerante em toda a superfície de encaixe de afunilamento. Ⓒ (Fig. 4-1)
- Utilize as porcas afuniladas para o tamanho de tubo que se segue. Ⓓ (Fig. 4-1)

		RP50	RP60,71	RP100-140
Lado do gás	Tamanho do tubo (mm)	ø12,7	ø15,88	ø15,88
Lado do líquido	Tamanho do tubo (mm)	ø6,35	ø9,52	ø9,52

- Ao dobrar os tubos, tenha cuidado para não os partir. Níveis de curvatura de 100 mm a 150 mm são suficientes.
- Assegure-se de que os tubos não entram em contacto com o compressor. Tal pode provocar ruído ou vibrações.

- ① Os tubos devem ser ligados começando pela unidade interior.

As porcas de afunilamento devem ser apertadas utilizando uma chave dinamómetro.

- ② Afunile os tubos de líquido e os tubos de gás e aplique uma camada fina de óleo de refrigeração (aplicado no local).

- Quando utilizar um isolante de tubos normal, consulte a Tabela 1 relativamente ao afunilamento de tubos de refrigerante R410A.

O manómetro de ajuste de tamanho pode ser utilizado para confirmar as medidas B.

Tabela 1 (Fig. 4-2)

Tubo de cobre O.D. (mm)	B (mm)	
	Ferramenta de afunilamento para R410A	Ferramenta de afunilamento para R22-R407C
	Tipo de alavanca	
ø6,35 (1/4")	0 - 0,5	1,0 - 1,5
ø9,52 (3/8")	0 - 0,5	1,0 - 1,5
ø12,7 (1/2")	0 - 0,5	1,0 - 1,5
ø15,88 (5/8")	0 - 0,5	1,0 - 1,5
ø19,05 (3/4")	0 - 0,5	1,0 - 1,5

- ③ Utilize o seguinte procedimento para ligar a tubagem do lado do gás. (Fig. 4-3)

- 1 Solde o tubo de junção Ⓔ fornecido à unidade exterior, utilizando materiais de soldadura adquiridos localmente, e a tubagem local Ⓒ, sem oxigénio.

- 2 Ligue o tubo de junção Ⓔ à válvula de retenção do lado do gás.

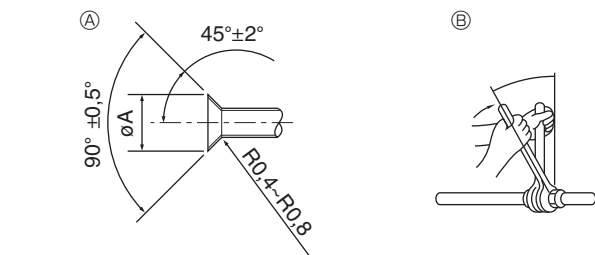
Use duas chaves para apertar a porca afunilada.

* Se a ordem for invertida, poderão ocorrer fugas de refrigerante devido aos danos provocados nas peças pela chama de soldadura.

- Para PEA-RP200, 250, 400, 500GA

O método para a ligação da tubagem é a brasagem.

		PEA-200	PEA-250	PEA-400	PEA-500
Lado do gás	Tamanho do tubo (mm)	ø25,4 (ou ø28,58)			
Lado do líquido	Tamanho do tubo (mm)	ø9,52	ø12,7	ø9,52	ø12,7



- Ⓐ Dimensões do corte de afunilamento
- Ⓑ Binário de aperto da porca afunilada

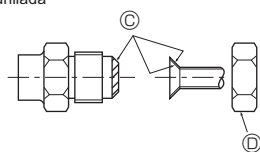


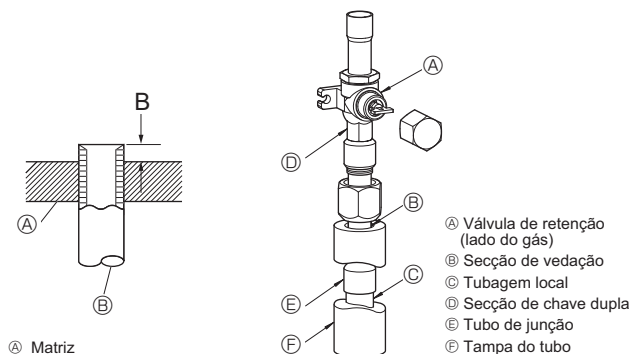
Fig. 4-1

- Ⓐ (Fig. 4-1)

Tubo de cobre O.D. (mm)	Dimensões de afunilamento øA dimensões (mm)
ø6,35	8,7 - 9,1
ø9,52	12,8 - 13,2
ø12,7	16,2 - 16,6
ø15,88	19,3 - 19,7
ø19,05	23,6 - 24,0

- Ⓑ (Fig. 4-1)

Tubo de cobre O.D. (mm)	Porca afunilada O.D. (mm)	Binário de Aperto (N·m)
ø6,35	17	14 - 18
ø6,35	22	34 - 42
ø9,52	22	34 - 42
ø12,7	26	49 - 61
ø12,7	29	68 - 82
ø15,88	29	68 - 82
ø15,88	36	100 - 120
ø19,05	36	100 - 120



- Ⓐ Matriz
- Ⓑ Tubo de cobre

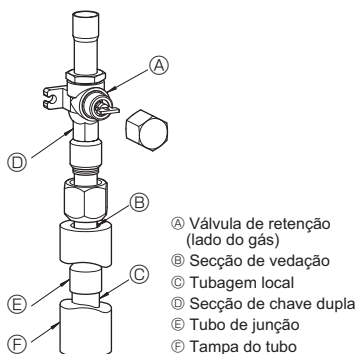


Fig. 4-3

4. Instalação da tubagem do refrigerante

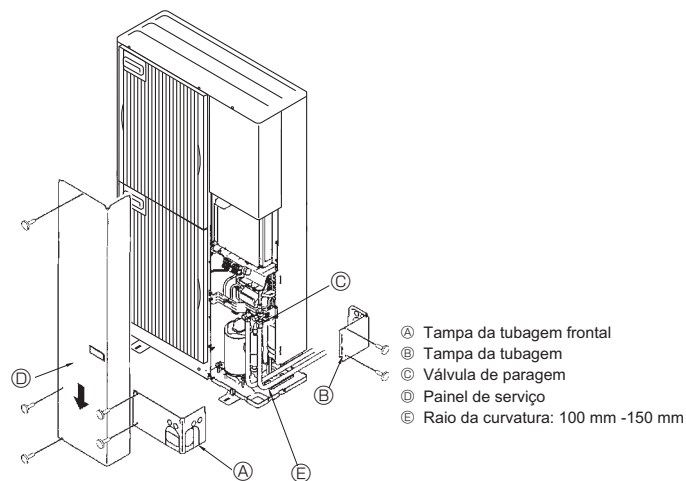


Fig. 4-4

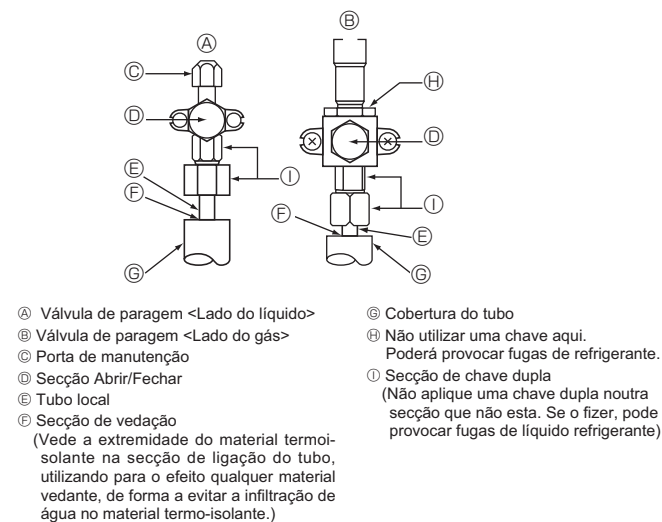


Fig. 4-5

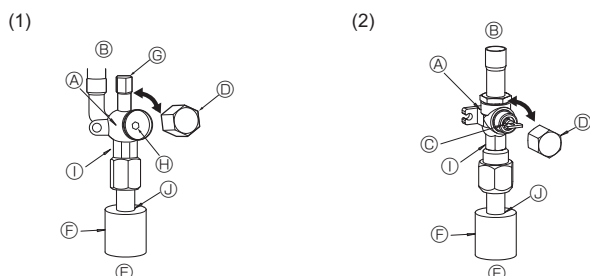


Fig. 4-6

Fig. 4-7

- A Válvula
 B Lado da unidade
 C Seção de operação
 D Cápsula
 E Lado do tubo local
 F Tampa do tubo
 G Porta de manutenção
 H Furo da chave
 I Seção de chave dupla
 J Seção de vedação
- (Não aplique uma chave dupla noutra secção que não esta. Se o fizer, pode provocar fugas de líquido refrigerante)
 (Vede a extremidade do material termoisolante na secção de ligação do tubo, utilizando para o efeito qualquer material vedante, de forma a evitar a infiltração de água no material termo-isolante.)

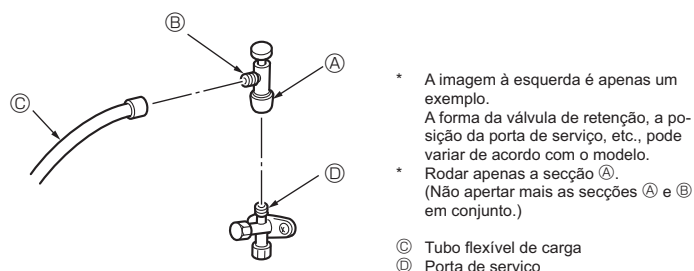


Fig. 4-8

- * A imagem à esquerda é apenas um exemplo.
 A forma da válvula de retenção, a posição da porta de serviço, etc., pode variar de acordo com o modelo.
 * Rodar apenas a secção A.
 (Não apertar mais as secções A e B em conjunto.)
- C Tubo flexível de carga
 D Porta de serviço

4.3. Tubagem de refrigerante (Fig. 4-4)

Remova o painel de manutenção (3 parafusos), a tampa da tubagem frontal (2 parafusos) e a tampa da tubagem traseira (2 parafusos).

- Execute as ligações da tubagem de refrigerante para a unidade interior/exterior quando a válvula de paragem da unidade exterior estiver completamente fechada.
- Purgue o ar da unidade interior e da tubagem de ligação.
- Após ter efectuado a ligação dos tubos de refrigerante, verifique se não existem fugas de gás nos tubos ligados e na unidade interior. (Consulte 4.4. Teste de vedação ao ar do tubo de refrigerante.)
- Na porta de serviço das válvulas de retenção, utiliza-se uma bomba de vácuo de elevado desempenho para manter o vácuo durante o tempo necessário (pelo menos 1 hora depois de atingir -101 kPa (5 Torr)), de forma a efectuar a secagem por vácuo do interior da tubagem. Verifique sempre o nível de vácuo no manómetro do colector. Se se verificar a existência de humidade na tubagem, o nível de vácuo por vezes não é atingido na aplicação de vácuo de curta duração. Após a secagem por vácuo, abra completamente as válvulas de retenção (de líquido e de gás) para a unidade exterior. Desta forma, os circuitos de refrigeração internos e externos ficarão completamente ligados.
 - Se a secagem por vácuo não for realizada correctamente, ar e água permanecerão nos circuitos refrigerantes, podendo provocar uma subida anormal dos níveis de alta pressão e uma descida anormal dos níveis de baixa pressão, bem como a deterioração do óleo da máquina de congelação devido à humidade, etc.
 - Se as válvulas de retenção forem deixadas fechadas e a unidade for ligada, o compressor e as válvulas de controlo serão danificados.
 - Utilize um detector de fugas ou água com uma solução de sabão para verificar se existem fugas de gás nas secções de ligação dos tubos da unidade exterior.
 - Não utilize o refrigerante da unidade para purgar o ar das linhas de refrigerante.
 - Depois de a operação da válvula estar concluída, aperte as tampas da válvula até à pressão adequada: 20 a 25 N·m (200 a 250 kgf·cm).
Se as tampas não forem substituídas e apertadas, podem ocorrer fugas de refrigerante. Para além disso, não danifique o interior das tampas das válvulas, pois funcionam como vedante para evitar fugas de refrigerante.
- Utilize vedante para vedar as extremidades do isolamento térmico em torno das secções de ligação dos tubos, para evitar a entrada de água no isolamento térmico.

4.4. Teste de vedação ao ar do tubo de refrigerante (Fig. 4-5)

- Ligue as ferramentas de teste.
 - Certifique-se de que as válvulas de retenção (A) (B) estão fechadas e não as abra.
 - Adicione pressão às linhas de refrigerante através da porta de serviço (C) da válvula de retenção do líquido (A).
- Não adicione pressão na quantidade especificada de uma só vez; adicione pressão aos poucos.
 - Pressurize até 0,5 MPa (5 kgf/cm²G), aguarde 5 minutos e assegure-se de que a pressão não diminui.
 - Pressurize até 1,5 MPa (15 kgf/cm²G), aguarde 5 minutos e assegure-se de que a pressão não diminui.
 - Pressurize até 4,15 MPa (41,5 kgf/cm²G) e meça a temperatura ambiente e a temperatura do refrigerante.
- Se a pressão especificada se mantiver durante cerca de um dia e não diminuir, os tubos terão passado no teste e não existem fugas.
 - Se a temperatura ambiente se alterar em 1 °C, a pressão irá alterar-se em cerca de 0,03 MPa (0,3 kgf/cm²G). Efectue as correcções necessárias.
- Se a pressão diminuir nos passos (2) ou (3), existe uma fuga de gás. Procure descobrir a causa da fuga de gás.

4.5. Método de abertura da válvula de paragem

O método de abertura da válvula de retenção varia consoante o modelo de unidade exterior. Utilize o método adequado para abrir as válvulas de retenção.

- Lado do líquido da válvula de retenção (Fig. 4-6)
 - Retire a tampa e rode a válvula para a esquerda o máximo que puder com uma chave sextavada de 4 mm. Pare de rodar quando esta alcançar o batente. (Aproximadamente 10 rotações)
 - Certifique-se de que a válvula de paragem esteja completamente aberta e gire a cápsula de volta à sua posição original.
- Lado do gás da válvula de retenção (Fig. 4-7)
 - Retire a tampa, puxe a haste na sua direcção e rode 1/4 de volta para a esquerda para abrir.
 - Verifique se a válvula de retenção está totalmente aberta, empurre a haste e rode a tampa para a posição de origem.

Os tubos de refrigerante são revestidos de forma segura

- Os tubos podem ser revestidos de forma segura até um diâmetro de Ø90 antes ou depois de efectuar a ligação dos tubos. Corte o recorte na tampa do tubo, seguindo a ranhura, e revista os tubos.

Intervalo de entrada do tubo

- Utilize pasta ou vedante para vedar a entrada do tubo em torno dos tubos, para que não existam intervalos.
(Se os intervalos não forem eliminados, pode verificar-se a emissão de ruído ou a entrada de poeira na unidade, provocando avarias.)

Precauções de utilização da válvula de carga (Fig. 4-8)

Quando instalar a porta de serviço não a aperte demasiado, pois se apertar demasiado, o núcleo da válvula pode ficar deformado e soltar-se, provocando uma fuga de gás.

Depois de posicionar a secção (B) na direcção pretendida, rode apenas a secção (A) e aperte-a.

Depois de apertar a secção (A) não aperte mais as secções (A) e (B) em conjunto.

⚠ Aviso:

Quando instalar a unidade, ligue os tubos de refrigerante firmemente antes de ligar o compressor.

4. Instalação da tubagem do refrigerante

4.6. Adição de refrigerante

- Se o comprimento do tubo não exceder os 30 m, não é necessário um abastecimento adicional.
- Se o comprimento do tubo for excedido, adicione refrigerante R410A à unidade, de acordo com os comprimentos do tubo permitidos na tabela abaixo.
- * Quando a unidade estiver desligada, abasteça-a com o refrigerante adicional através da válvula de retenção de líquido depois das extensões do tubo e unidade interior terem sido aspiradas. Quando a unidade estiver a funcionar, adicione refrigerante na válvula de retenção de gás utilizando um carregador de segurança. Não adicione líquido refrigerante directamente na válvula de retenção.

- * Após abastecer a unidade com refrigerante, anote a quantidade de refrigerante adicionada na etiqueta da manutenção (colada à unidade). Consulte a secção "1.5. Utilização de aparelhos de ar condicionado refrigerantes R410A" para obter mais informações.
- Tenha cuidado quando instalar várias unidades. A ligação a uma unidade interior incorrecta pode provocar uma pressão involuntariamente elevada e ter um efeito negativo no rendimento da unidade.

Modelo	Comprimento de tubo permitido	Diferença vertical permitida	Quantidade de refrigerante adicional			
			31 - 40 m	41 - 50 m	51 - 60 m	61 - 70 m
P200	70 m	30 m	0,9 kg	1,8 kg	2,7 kg	3,6 kg
P250			1,2 kg	2,4 kg	3,6 kg	4,8 kg

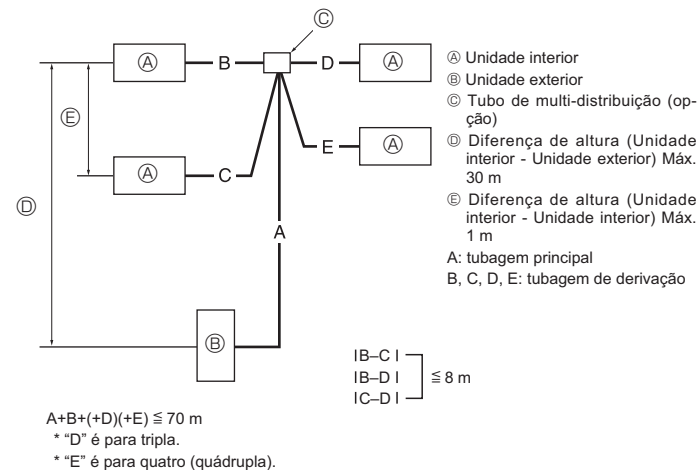


Fig. 4-9

4.7. Para a combinação dupla/tripla/quádrupla (Fig. 4-9)

- Quando esta unidade for utilizada como unidade de SISTEMA TIPO SPLIT, instale a tubagem do refrigerante seguindo as restrições indicadas na figura à esquerda. Além disso, se as restrições forem excedidas ou se forem feitas combinações de unidades interiores e exteriores, consulte as instruções de instalação da unidade interior para obter detalhes sobre a instalação.

Unidade exterior	Total permissível comprimento da tubagem A+B+C+D+E	Sem abastecimento comprimento da tubagem A+B+C+D+E
P200 P250	70 m e menos	30 m e menos
Unidade exterior	B-C ou B-D ou B-E ou C-D ou C-E ou D-E	N.º de curvas
P200 P250	8 m e menos	Até 15

5. Trabalho de tubagem de drenagem

Ligação do tubo de drenagem da unidade exterior

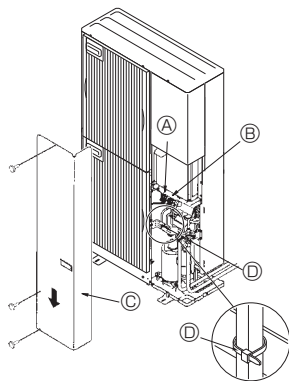
Se for necessário drenar a tubagem, utilize o bocal de drenagem ou o recipiente de drenagem (opção).

Bocal de drenagem	PAC-SG61DS-E
Recipiente de drenagem	PAC-SG64DP-E

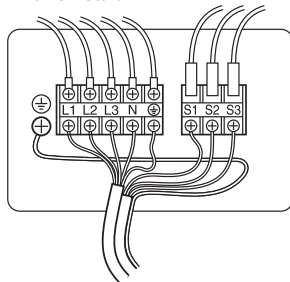
6. Trabalho de electricidade

6.1. Unidade exterior (Fig. 6-1, Fig. 6-2)

- (1) Remova o painel de manutenção.
- (2) Ligue os cabos consultando a Fig. 6-1 e a Fig. 6-2.



Nota: Se a chapa de protecção da caixa eléctrica for retirada durante os serviços de manutenção, não se esqueça de a reinstalar.



- (A) Bloco de terminais da alimentação (L1, L2, L3, N, ⊕)
- (B) Bloco de terminais de ligação interior/exterior (S1, S2, S3)
- (C) Painel de manutenção
- (D) Grampo

* Prenda os cabos para que não fiquem em contacto com o centro do painel de manutenção nem com a válvula do gás.

⚠ Cuidado: Certifique-se de que instala a linha N. Sem a linha N, a unidade poderá ficar danificada.

* Excepto PEA-RP200, 250, 400, 500GA

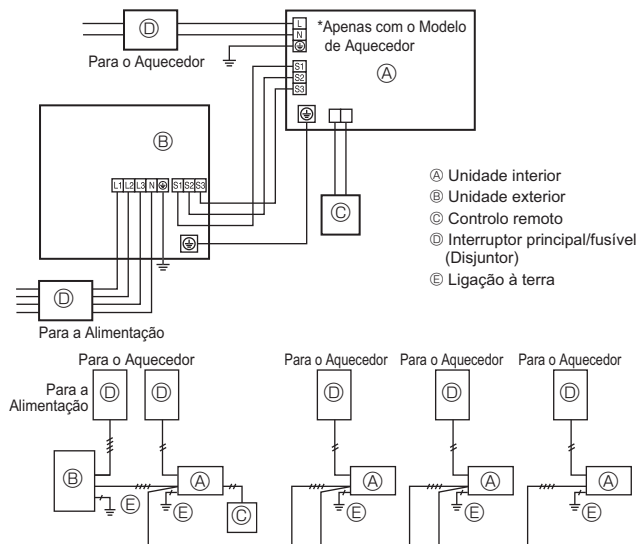
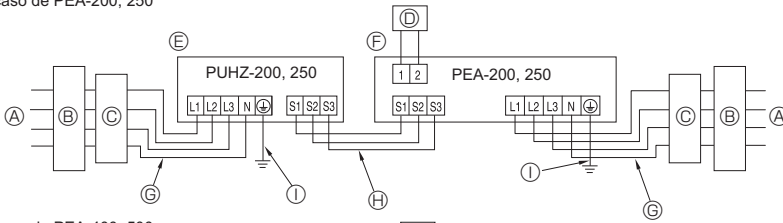


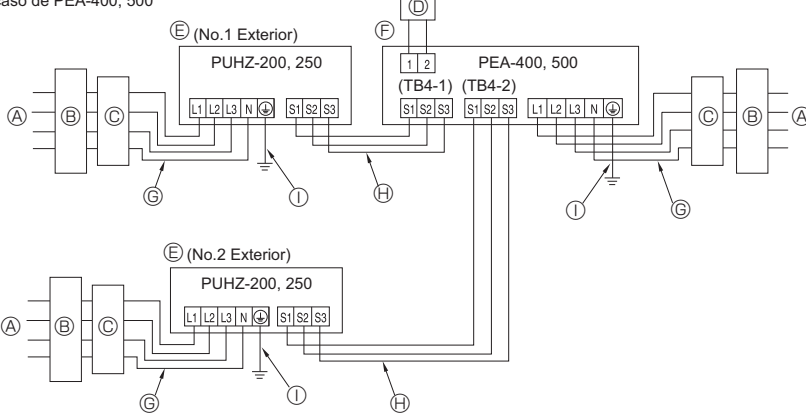
Fig. 6-1

6. Trabalho de electricidade

* No caso de PEA-200, 250

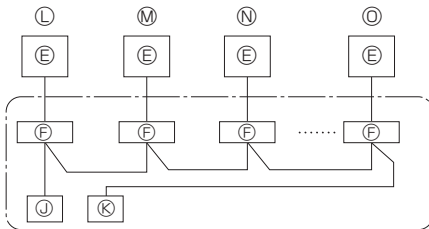


* No caso de PEA-400, 500



- Ⓐ Alimentação
- Ⓑ Disjuntor de fuga para terra
- Ⓒ Disjuntor ou interruptor local
- Ⓓ Controle remoto com LCD
- Ⓔ Unidade exterior
- Ⓕ Unidade interior
- Ⓖ Ligação eléctrica do cabo de alimentação
- Ⓗ Ligação eléctrica da unidade interior/exterior
- Ⓘ Ligação à terra
- Ⓚ Controle remoto principal
- Ⓛ Controle remoto subordinado
- Ⓜ Padrão (Endereço de refrigerante = 00)
- Ⓝ Endereço de refrigerante = 01
- Ⓞ Endereço de refrigerante = 02
- Ⓟ Endereço de refrigerante = 03
- Ⓠ Endereço de refrigerante = 14
- Ⓡ Endereço de refrigerante = 15

* No caso de PEA-200, 250



* No caso de PEA-400, 500

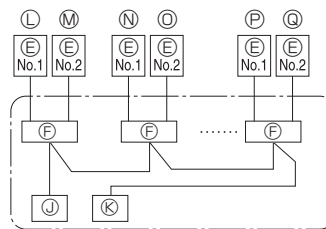


Fig. 6-2

6.2. Cablagem eléctrica

Modelo da unidade exterior	P200, 250	
Unidade exterior Corrente	Fase Frequência e voltagem	3N~(trifásico 4 fios), 50 Hz, 400 V
Capacidade de entrada da unidade exterior	Interruptor principal (Disjuntor)	*1 32 A
Cablagem Fio n.º x secção (mm²)	Unidade exterior corrente	5 x Min. 4
	Unidade interior/unidade exterior	*2 Comprimento do cabo 50 m : 3 x 4 (Polar)/Comprimento do cabo 80 m : 3 x 6 (Polar)
	Terra da unidade interior-unidade exterior	1 x Min. 2,5
	Ligação do controlador remoto/unidade interior	*3 2 x 0,3 (Não polar)
Potência nominal do circuito	Unidade exterior L1-N, L2-N, L3-N	*4 AC 230 V
	Unidade interior/unidade exterior S1-S2	*4 AC 230 V
	Unidade interior/unidade exterior S2-S3	*4 DC 24 V
	Ligação do controlador remoto/unidade interior	*4 DC 12 V

*1. Utilize um disjuntor de fuga à terra (NV) com uma separação de, pelo menos, 3 mm entre os contactos dos pólos.

*2. Máx. 80 m Total máx. incluindo toda a ligação interior/ exterior é de 80 m.

- Utilize um cabo para S1 e S2 e outro para S3 como indicado na figura.
- Máx. 50 m Total máx. para PEA. Tamanho da cablagem 3 x 1,5 (Polar).

*3. Existe um fio de 10 m ligado ao acessório do controlo remoto.

*4. A voltagem NÃO se aplica em relação à terra.

O terminal S3 tem uma diferença de DC24V em relação ao terminal S2. Entre os terminais S3 e S1, a ligação não está isolada electricamente pelo transformador ou outro dispositivo.

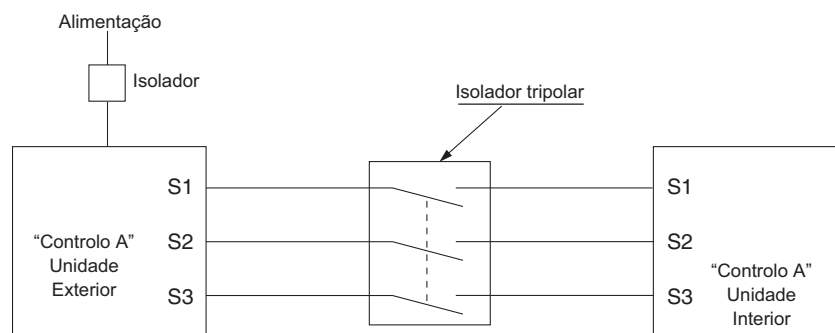


Notas: 1. A dimensão da cablagem deve estar em conformidade com as regulamentações nacionais e locais aplicáveis.

2. Os cabos de alimentação e os cabos de ligação da unidade interior/exterior não devem ser inferiores a cabos flexíveis revestidos a policloropreno. (Tipo 60245 IEC 57)

3. Utilize um fio terra que seja maior do que os outros fios, para que não se desligue quando é aplicada tensão.

Nunca uma o cabo de alimentação ou o cabo de ligação interior-exterior, caso contrário pode resultar em fumo, incêndio ou uma falha de comunicação.



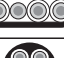



6. Trabalho de electricidade

⚠ Aviso:

No caso da ligação eléctrica de controlo A, existe a possibilidade de alta tensão no terminal S3, causada por um circuito eléctrico que não possui isolamento eléctrico entre a linha de alta tensão e a linha de sinal de comunicação. Por conseguinte, desligue a fonte de alimentação principal ao fazer qualquer reparação. Além disso, não toque nos terminais S1, S2 e S3 enquanto a corrente estiver ligada. Se tiver de utilizar o isolador entre a unidade interior e a exterior, utilize um do tipo tripolar.

ESPECIFICAÇÕES DA CABLAGEM PARA 220-240 V 50 Hz (CABO DE LIGAÇÃO INTERIOR-EXTERIOR)

Perfil transversal do cabo	Tamanho do fio (mm ²)	Número de fios	Polaridade	L (m)*6
Redondo 	2,5	3	Sentido dos ponteiros do relógio : S1-S2-S3 * Preste atenção às riscas amarela e verde	(30) *2
Plano 	2,5	3	Não aplicável (Porque o fio central não tem cobertura de acabamento)	Não aplicável *5
Plano 	1,5	4	Da esquerda para a direita : S1-Aberto-S2-S3	(18) *3
Redondo 	2,5	4	Sentido dos ponteiros do relógio : S1-S2-S3-Aberto * Ligue S1 e S3 ao ângulo oposto	(30) *4

*1 : Os cabos de alimentação dos dispositivos não devem ser mais leves do que o design 60245 IEC ou 227 IEC.

*2 : Caso o cabo com riscas amarela e verde esteja disponível.

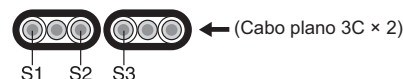
*3 : Em caso de ligação de polaridade regular (S1-S2-S3), o tamanho do fio é de 1,5 mm².

*4 : Em caso de ligação de polaridade regular (S1-S2-S3).

*5 : Caso os cabos planos sejam ligados conforme indicado nesta figura, estes podem ser usados até 30 m.

*6 : O comprimento do cabo referido serve apenas como referência.

Pode ser diferente, dependendo das condições de instalação, humidade ou materiais, etc.



Certifique-se de que liga os cabos de ligação interior/ exterior directamente às unidades (sem ligações intermédias).

As ligações intermédias podem provocar erros de comunicação caso se dê a entrada de água nos cabos e provocar isolamento à terra insuficiente ou um mau contacto eléctrico no ponto de ligação intermédio.

7. Ensaio

7.1. Antes do ensaio

▶ Depois de concluir a instalação, a cablagem e a tubagem das unidades interior e exterior, verifique se não há fugas de refrigerante, maus contactos na fonte de alimentação ou na cablagem de controlo, polaridade errada e se não foi desligada qualquer fase na alimentação.

▶ Utilize um megóhmetro de 500 V para verificar se a resistência entre os terminais da fonte de alimentação e o solo são de pelo menos 1,0 MΩ.

▶ Não execute este ensaio nos terminais da cablagem de controlo (circuito de baixa voltagem).

⚠ Aviso:

Não utilize o ar condicionado se a resistência de isolamento for inferior a 1,0MΩ.

Resistência de isolamento

Após a instalação ou após a fonte de alimentação da unidade ter sido cortada durante um período longo, a resistência de isolamento vai diminuir até menos de 1 MΩ, devido à acumulação de refrigerante no compressor. Este facto não representa uma avaria. Efectue as acções que se seguem.

1. Retire os fios do compressor e meça a resistência de isolamento do mesmo.
2. Se a resistência de isolamento estiver abaixo de 1 MΩ, o compressor está a falhar ou a resistência diminuiu devido à acumulação de refrigerante no compressor.
3. Depois de ligar os fios ao compressor, este começará a aquecer assim que a fonte de alimentação for restituída. Depois de fornecer energia para os períodos indicados abaixo, meça a resistência de isolamento novamente.

- A resistência de isolamento diminui devido à acumulação de refrigerante no compressor. A resistência irá subir acima de 1 MΩ depois de o compressor ter aquecido durante 4 horas.
(O tempo necessário para aquecer o compressor varia de acordo com as condições atmosféricas e com a acumulação de refrigerante.)
 - Para que o compressor funcione com acumulação de refrigerante, deve ser aquecido durante pelo menos 12 horas, para evitar avarias.
4. Se a resistência de isolamento subir acima de 1 MΩ, o compressor não está a falhar.

⚠ Cuidado:

- O compressor só funcionará se a ligação da fase da fonte de alimentação for correcta.
- Ligue a electricidade pelo menos 12 horas antes de dar início à operação.
- Se começar a operação imediatamente depois de ligar o interruptor principal poderá danificar seriamente peças internas. Mantenha o interruptor ligado durante a estação operacional.

▶ Deverá também ser verificado o seguinte.

- A unidade exterior não está a falhar. O LED1 e o LED2 no painel de controlo da unidade exterior ficam intermitentes quando a unidade exterior está a falhar.
- As válvulas de retenção de gás e de líquido estão completamente abertas.
- Há uma chapa de protecção que cobre a superfície do painel do interruptor DIP no painel de controlo da unidade exterior. Retire a chapa de protecção para utilizar os interruptores DIP facilmente.

7.2. Ensaio

7.2.1. Utilizar o SW4 na unidade exterior

SW4-1	ON (ligado)	Operação de refrigeração
SW4-2	OFF (desligado)	
SW4-1	ON	Operação de aquecimento
SW4-2	ON	

* Após realizar o teste de funcionamento coloque SW4-1 em OFF.

• Depois de fornecer energia, pode ouvir-se um "clique" proveniente do interior da unidade exterior. Significa que a válvula de expansão electrónica está a abrir e fechar. A unidade não está a falhar.

• Alguns segundos depois de o compressor começar a funcionar, pode ouvir-se um som metálico proveniente do interior da unidade exterior. O ruído provém da válvula de retenção devido à pequena diferença de pressão nos tubos. A unidade não está a falhar.

O modo de ensaio não pode ser alterado pelo interruptor DIP SW4-2 durante o ensaio. (Para alterar o modo de ensaio durante o mesmo, interrompa-o através do interruptor DIP SW4-1. Depois de alterar o modo de ensaio, recomece o ensaio através do interruptor SW4-1.)

7.2.2. Utilização do controlo remoto

Consulte o manual da instalação da unidade interior.

8. Funções especiais

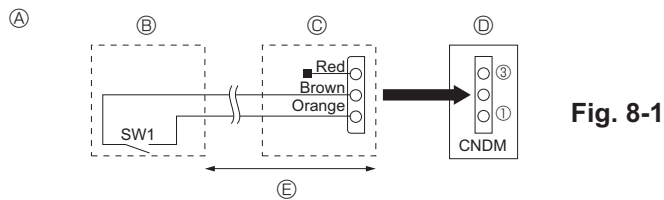


Fig. 8-1

- A Exemplo de diagrama de circuito (modo de baixo nível de ruído)
 B Disposição no local
 C Adaptador de entrada externo (PAC-SC36NA)
 D Painel de controlo da unidade exterior
 E Máx. 10 m

8.1. Modo de baixo nível de ruído (modificação no local) (Fig. 8-1)

Ao efectuar a alteração que se segue, o ruído de funcionamento da unidade exterior pode ser reduzido em cerca de 3-4 dB.

O modo de baixo nível de ruído será activado quando se adicionar um temporizador para 0-100% do consumo normal.

- A função de pedido será activada quando se adicionar um temporizador à venda no mercado ou um interruptor ON/OFF ao conector CNDM (vendido separadamente) no painel de controlo da unidade exterior.
- A capacidade varia de acordo com a temperatura e condições exteriores.
- Complete o circuito, tal como demonstrado, ao utilizar o adaptador de entrada externo (PAC-SC36NA). (vendido separadamente)
 - SW1 ligado (ON): Modo de baixo nível de ruído
SW1 desligado (OFF): Funcionamento normal

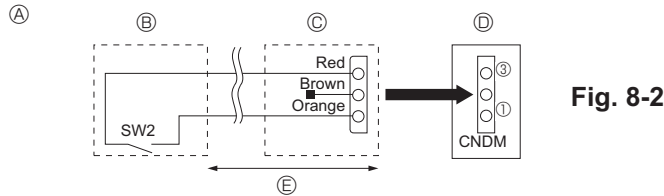


Fig. 8-2

- A Exemplo de diagrama de circuito (Função de pedido)
 B Disposição no local
 C Adaptador de entrada externo (PAC-SC36NA)
 D Painel de controlo da unidade exterior
 E Máx. 10 m

8.2. Função de pedido (modificação no local) (Fig. 8-2)

Ao efectuar a modificação que se segue, o consumo de energia pode ser reduzido para 0-100% do consumo normal.

A função de pedido será activada quando se adicionar um temporizador à venda no mercado ou um interruptor ON/OFF ao conector CNDM (opção) no painel de controlo da unidade exterior.

- Complete o circuito, tal como demonstrado, ao utilizar o adaptador de entrada externo (PAC-SC36NA). (vendido separadamente)
- Regulando SW7-1 e SW7-2 no painel de controlo da unidade exterior, o consumo de energia (em relação ao consumo normal) pode ser limitado, conforme indicado abaixo.

SW7-1	SW7-2	Consumo de energia (SW2 ON)
OFF	OFF	0% (Paragem)
ON	OFF	50%
OFF	ON	75%

8.3. Recuperação de refrigerante (bombagem)

Efectue os procedimentos que se seguem para recuperar o refrigerante ao transferir a unidade interior ou exterior.

- Ligue a fonte de alimentação (disjuntor).
 - Quando for fornecida corrente, certifique-se de que não surge a indicação "CENTRALLY CONTROLLED" (controlado centralmente) no controlo remoto. Se a indicação "CENTRALLY CONTROLLED" surgir, a recuperação de refrigerante não poderá ser concluída normalmente.
 - O arranque da comunicação interior-exterior demora cerca de 3 minutos após a ligação da fonte de alimentação (disjuntor). Inicie a operação de bombagem 3 a 4 minutos após a ligação da fonte de alimentação (disjuntor).
- Depois de a válvula de retenção de líquido ter fechado, ligue (posição ON) o interruptor SWP no painel de controlo da unidade exterior. O compressor (unidade exterior) e os ventiladores (unidades interiores e exteriores) começam a funcionar e a operação de recuperação de refrigerante tem início. O LED1 e o LED2 no painel de controlo da unidade exterior acendem.
 - Ligue (posição ON) o interruptor SWP (tipo botão de premir) somente se a unidade estiver desligada. Contudo, mesmo que a unidade esteja desligada e o interruptor SWP seja ligado (posição ON) menos de 3 minutos depois de o compressor parar, não poderá ser efectuada a operação de recuperação de refrigerante. Aguarde 3 minutos após o compressor ter parado e, depois, ligue novamente (posição ON) o interruptor SWP.

- Uma vez que a unidade pára automaticamente cerca de 2 a 3 minutos após a operação de recuperação de refrigerante (LED1 apagado, LED2 aceso), certifique-se de que fecha imediatamente a válvula de retenção de gás. Se o LED1 estiver aceso e o LED2 apagado e a unidade exterior estiver parada, a recuperação de refrigerante não será correctamente efectuada. Abra completamente a válvula de retenção de líquido e, em seguida, repita o passo 2 passados 3 minutos.
 - Se a operação de recuperação de refrigerante tiver sido concluída normalmente (LED1 apagado, LED2 aceso), a unidade permanecerá parada até que a fonte de alimentação seja desligada.

- Interrompa o fornecimento de corrente (disjuntor).

- Atenção que, quando a tubagem de extensão é demasiado comprida e existe uma grande quantidade de refrigerante, poderá não ser possível efectuar uma operação de bombagem. Quando realizar a operação de bombagem, certifique-se de que a pressão baixa é reduzida até aproximadamente 0 MPa (manómetro).

⚠ Aviso:

Quando proceder à bombagem do refrigerante, desligue o compressor antes de desligar os tubos de refrigerante. O compressor pode rebentar se houver entrada de ar, etc.

9. Controlo do sistema (Fig. 9-1)

- A Unidade exterior
 B Unidade interior
 C Controlo remoto principal
 D Controlo remoto subordinado
 E Padrão 1:1 (Endereço de refrigerante = 00)
 F Duplo Simultâneo (Endereço de refrigerante = 01)
 G Triplo simultâneo (Endereço de refrigerante = 02)
- SW 1 - 3 ~ 6
 ON OFF 3 4 5 6
- SW 1 - 3 ~ 6
 ON OFF 3 4 5 6
- SW 1 - 3 ~ 6
 ON OFF 3 4 5 6

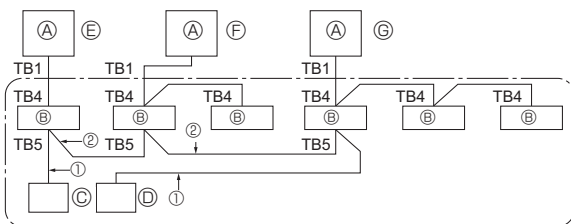


Fig. 9-1

- Ajuste o endereço de refrigerante usando o interruptor DIP da unidade exterior.

- Cablagem do controlo remoto

Este fio está ligado a TB5 (placa de terminais para controlo remoto) da unidade interior (não-polar).

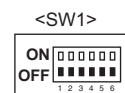
- Quando um grupo de sistema de refrigeração diferente for utilizado.

Um total de 16 sistemas de refrigeração podem ser controlados como um grupo, por meio do controlo remoto MA fino.

Nota:

Num sistema de refrigeração único (twin/triple), não há necessidade de fios 2.

SW1
Tabela de funções



Function	Operação de acordo com a definição do interruptor	
	ON	OFF
1 Descongelação compulsória	Arranque	Normal
2 Limpar historial de erros	Limpar	Normal
3 Definição do endereço do sistema do refrigerante	Definições de endereço de 0 a 15 da unidade exterior	

Indholdsfortegnelse

1. Sikkerhedsforanstaltninger	74	6. Elektrisk arbejde	79
2. Montagedsted	75	7. Afprøvning	81
3. Montering af den udendørs enhed	76	8. Specielle funktioner	82
4. Montering af kølemiddelrør	77	9. Systemkontrol (Fig. 9-1)	82
5. Føring af drænrør	79		

1. Sikkerhedsforanstaltninger

- ▶ Læs alle "Sikkerhedsforanstaltninger", før De installerer enheden.
- ▶ De skal forhøre Dem hos forsyningskilden før tilslutning til systemet.
- ▶ "Dette udstyr er i overensstemmelse med IEC 61000-3-12, under forudsætning af at kortslutningsstrømmen S_{sc} er større end eller lig med S_{sc} (*1) ved interfacepunktet mellem brugerens forsyning og det offentlige system. Det er installatørens eller udstyrsbrugerens ansvar at sikre, evt. efter kontakt til forsyningsselskabet, at udstyret kun sluttes til en forsyning med en kortslutningsstrøm S_{sc} , der er større end eller lig med S_{sc} (*1)"

S_{sc} (*1)

Modeller	S_{sc} (MVA)
PUHZ-P200	1.35
PUHZ-P250	1.49

⚠ Advarsel:

Beskriver sikkerhedsforanstaltninger, der skal træffes, for at undgå personskade eller dødsfald.

⚠ Forsigtig:

Beskriver forholdsregler, der skal træffes, for at forhindre at enheden bliver beskadiget.

Efter afslutning af installationsarbejdet skal "Sikkerhedsforanstaltninger", brugen og vedligeholdelsen af enheden forklares for kunden ifølge betjeningsvejledningen. Desuden skal der foretages en testkørsel for at sikre normal funktion. Både installationsog betjeningsvejledningen skal overdrages til brugeren. Disse vejledninger skal gives videre til efterfølgende brugere.

⚡ : Angiver en del, der skal jordforbindes.

⚠ Advarsel:

Læs etiketterne på hovedenheden omhyggeligt.

⚠ Advarsel:

- Enheden må ikke installeres af brugeren. Lad en forhandler eller en autoriseret tekniker installere enheden. Hvis enheden ikke installeres korrekt, kan det resultere i vandlækage, elektrisk stød eller brand.
- Foretag installationen i overensstemmelse med installationsvejledningen, og brug værktøj og rørdele, der er specielt beregnet til anvendelse sammen med R410A kølemiddel. R410A kølemidlet i HFC-systemet er under 1,6 gange højere tryk end sædvanlige kølemidler. Hvis der anvendes rørdele, der ikke er konstrueret til R410A kølemiddel og enheden ikke installeres korrekt, kan rørene sprænges og forårsage beskadigelse eller kvæstelse. Der kan desuden opstå vandlækage, elektrisk stød eller brand.
- For at minimere risikoen for beskadigelse som følge af jordskælv, tyfoner eller kraftigt stormvejr skal enheden installeres ifølge vejledningen. En ukorrekt installeret enhed kan falde ned og forårsage beskadigelse eller kvæstelser.
- Enheden skal monteres fast og sikkert på en underkonstruktion, der kan bære dens vægt. Hvis enheden monteres på en ustabil konstruktion, kan den falde ned og forårsage beskadigelse og kvæstelser.
- Hvis klima anlægget installeres i et lille rum, skal der tages forholdsregler til at forhindre, at kølemiddelkoncentrationen i rummet overstiger sikkerhedsgrænsen i tilfælde af kølemiddellækage. Kontakt en forhandler mht. de passende forholdsregler til forhindring af, at den tilladte koncentration overskrides. Hvis der opstår lækage af kølemidlet, som forårsager overskridelse af koncentrationsgrænsen, kan der opstå livsfare på grund af manglende ilt i rummet.
- Ventil rummet hvis der opstår kølemiddellækage under driften. Hvis kølemidlet kommer i kontakt med åben ild, afgives der giftige gasser.
- Alle elinstallationsarbejder skal udføres af en faguddannet elinstallatør og ifølge de lokale bestemmelser og instruktionerne i denne vejledning. Enheden skal forsynes med strøm fra dertil beregnede forsyningsledninger og med den korrekte spænding og korrekte hovedafbrydere. Strømforsyningsledninger med utilstrækkelig kapacitet eller ukorrekt udført elinstallationsarbejde kan medføre elektrisk stød eller brand.
- Brug C1220 kobber-fosfor legering, for sømløse rør af kobber og kobberlegering, til at samle kølemiddelrør. Hvis rørene ikke samles korrekt, bliver enheden ikke ordentligt jordet, hvilket kan resultere i elektrisk stød.

- Brug kun de anviste kabler til kabelføring. Kabelforbindelserne skal være sikre, så der ikke er belastning af terminalforbindelserne. Undgå desuden at sammensplejse kabler til kabelføring (medmindre andet er anvist i dette dokument). Manglende overholdelse af disse instruktioner kan medføre overophedning eller brand.
- Klemkassens dæksel på den udvendige enhed skal skrues godt fast. Hvis dækslet monteres ukorrekt og der kommer støv og fugt ind i enheden, kan der opstå elektrisk stød eller brand.
- Ved installation, flytning eller serviceeftersyn af klima anlægget må der kun anvendes det specificerede kølemiddel (R410A) til fyldning af kølemiddelrørene. Det må ikke blandes med nogen anden type kølemiddel, og der må ikke være luft tilbage i rørene. Hvis der blandes luft sammen med kølemidlet, kan det forårsage et unormalt højt tryk i kølemiddelrøret og resultere i en eksplosion og andre farlige situationer. Hvis der bruges andre kølemidler end det, der er specificeret for systemet, forårsager det mekanisk driftssvigt eller funktionsfejl i systemet eller nedbrud af enheden. I værste fald kan det føre til en alvorlig hindring for produktsikkerheden.
- Brug kun tilbehør, der er godkendt af Mitsubishi Electric og lad en forhandler eller en autoriseret tekniker installere dem. Hvis tilbehøret ikke installeres korrekt, kan det resultere i vandlækage, elektrisk stød eller brand.
- Der må ikke foretages ændringer på enheden. Lad en forhandler foretage reparationer. Hvis ændringer eller reparationer ikke udføres korrekt, kan det resultere i vandlækage, elektrisk stød eller brand.
- Brugeren bør aldrig forsøge at reparere enheden eller flytte den til en anden placering. Hvis enheden ikke installeres korrekt, kan det resultere i vandlækage, elektrisk stød eller brand. Hvis klima anlægget skal repareres eller flyttes, skal det udføres af en forhandler eller en autoriseret tekniker.
- Når installationen er afsluttet, kontrolleres for kølemiddellækager. Hvis kølemiddel løber ud i rummet og kommer i kontakt med åben ild (f.eks. flammen på en opvarmningsenhed eller et transportabelt kogeudstyr), vil der opstå giftige gasser.

1.1. Inden installationen

⚠ Forsigtig:

- Brug ikke enheden i usædvanlige omgivelser. Hvis klima anlægget installeres i områder, hvor det udsættes for damp, flygtig olie (inklusive maskinolie), eller svovlholdige gasser, områder med højt saltindhold som f.eks. ved havet, eller områder hvor enheden kan blive dækket af sne, kan ydelsen blive betydelig nedsat og de indvendige dele kan blive beskadiget.
- Installer ikke enheden på steder, hvor brændbare gasser kan slippe ud, opstå, strømme eller samle sig. Hvis der samler sig brændbare gasser omkring enheden, kan det medføre brand eller eksplosion.
- Udendørs enheden danner kondensvand under opvarmningsdriften. Sørg for at der er afløb omkring den udvendige enhed, hvis denne kondensdannelse kan forårsage skader.

- Hvis enheden installeres i et hospital eller et kommunikationsrum, skal man være forberedt på støj og elektronisk interferens. Omformere, husholdningsapparater, højfrekvent medicinsk udstyr og radiokommunikationsudstyr kan forårsage, at klima anlægget fungerer forkert eller ødelægges. Klima anlægget kan også påvirke medicinsk udstyr, kommunikationsudstyr, kvaliteten af skærbilleder og influere på medicinsk behandling.

1.2. Inden installation (flytning)

⚠ Forsigtig:

- Udvis stor omhyggelighed ved transport eller montering af enhederne. Der skal mindst 2 personer til at håndtere enheden, da den vejer 20 kg eller mere. Løft ikke i emballagebåndene. Anvend beskyttelsehandsker, når enheden tages ud af emballagen eller flyttes, da hænderne kan blive kvæstet af ribberne eller andre deles kanter.
- Sørg for at bortskaffe emballagen efter gældende regler. Emballagematerialer, som f.eks. søm og andre metal- eller trædele kan forårsage rifter eller andre kvæstelser.

- Grundenheden og tilbehør på udendørsenheden skal regelmæssigt kontrolleres for løse forbindelser, revner eller anden skade. Hvis sådanne defekter ikke repareres, kan enheden falde ned og forårsage skade eller kvæstelser.
- Klima anlægget må ikke rengøres med vand. Dette kan medføre elektrisk stød.
- Spænd alle brystmøtrikker efter specifikationerne med en momentnøgle. Hvis den spændes for stramt, kan brystmøtrikken knække efter et stykke tid og kølemidlet kan løbe ud.

1. Sikkerhedsforanstaltninger

1.3. Inden el-arbejde

⚠ Forsigtig:

- Sørg for at installere hovedafbrydere. Hvis de ikke installeres, kan der opstå elektrisk stød.
- Brug standard kabler med tilstrækkelig kapacitet til forsyningsledningerne. Ellers kan der opstå kortslutning, overophedning eller brand.
- Ved installation af forsyningsledningerne må der ikke være træk i kablerne. Hvis tilslutningerne løsnes, kan kablerne springe tilbage eller knække, hvilket kan forårsage overophedning eller brand.

1.4. Inden start af testkørsel

⚠ Forsigtig:

- Tænd hovedafbryderen mere end 12 timer før start af driften. Hvis driften startes straks efter, at hovedafbryderen er tændt, kan der opstå alvorlige skader på de indvendige dele. Sørg for at hovedafbryderen er tændt i hele driftssæsonen.
- Inden start af driften skal det kontrolleres, at alle paneler, beskyttelsesdæksler og andre beskyttelsesdele er korrekt monteret. Roterende, varme eller højspændings dele kan forårsage kvæstelser.
- Rør ikke ved nogen kontakt med våde eller fugtige hænder. Dette kan medføre elektrisk stød.

1.5. Anvendelse af klimaanlæg med R410A kølemiddel

⚠ Forsigtig:

- Brug nye kølemiddelrør. Bemærk følgende, hvis eksisterende rør, der har været brugt til R22-kølemiddel, genanvendes.
 - Rengør altid rørene, og kontrollér, at rørene er rene indvendige.
 - Udskift de eksisterende brystmøtrikker og opkrav de opkravede sektioner igen.
 - Anvend ikke tynde rør. (Se 4.1.)
- Brug C1220 kobber-fosfor legering, for sømløse rør af kobber og kobberlegering, til at samle kølemiddelrør. Kontrollér at det indvendige af rørene er rene og ikke indeholder skadelige forureninger som f.eks. svovlholdige blandinger, oxidanter, affald eller støv. Brug rør med den specificerede tykkelse. (Se 4.1.)
- Opbevar de rør, der skal anvendes, indendørs og hold begge ender af rørene lukkede indtil lige før lodningen. (Lad knæsamlinger osv. forblive i deres emballage.) Hvis der kommer støv, affald eller fugt ind i kølemiddelrørene, kan det medføre forringelse af olien eller nedbrud af kompressoren.
- Brug ester-olie, ether-olie eller alkylbenzen-olie (i lille mængde) som kølemiddelolie til at smøre på de opkravede sektioner. Hvis mineralolie blandes med kølemiddelolien, kan det forringe olien.

- Sørg for at jordforbinde enheden. Forbind ikke jordledningen til gas- eller vandrør, lynafledere eller telefonjordledninger. Hvis enheden ikke er korrekt jordet, kan det resultere i elektrisk stød.
- Brug mekaniske effektafbrydere (HFI-relæ, hovedafbryder (+B sikring) og effektafbryder i støbt hus) med den specificerede kapacitet. Hvis effektafbryderens kapacitet er større end den specificerede kapacitet, kan det resultere i nedbrud eller brand.

- Berør ikke kølemiddelrørene med de bare hænder under driften. Kølemiddelrørene er varme eller kolde afhængig af tilstanden af det gennemstrømmende kølemiddel. Hvis rørene berøres, kan der opstå forbrændinger eller forfrysninger.
- Efter standsnings af driften skal der ventes i mindst 5 minutter, inden der slukkes på hovedafbryderen. Ellers kan det resultere i vandlækage eller nedbrud.

- Der må ikke anvendes andre kølemidler end R410A kølemiddel. Hvis der anvendes andre kølemidler, vil klorindholdet forringe olien.
- Brug en vakuumpumpe med en kontraventil mod tilbageløb. Hvis vakuumpumpens olie løber tilbage i kølemiddelrørene, kan der ske en forringelse af køleolien.
- Brug følgende værktøj, der er specielt beregnet til anvendelse sammen med R410A kølemiddel. Følgende værktøj er nødvendigt ved anvendelse af R410A kølemiddel. Ved spørgsmål kontaktes den nærmeste forhandler.

Værktøj (til R410A)	
Målermanifold	Opkravningsværktøj
Påfyldningsslange	Størrelsesmåler
Gaslækage detektor	Vakuumpumpeadapter
Momentnøgle	Elektronisk kølemidelpåfyldningsskala

- Sørg for at anvende det korrekte værktøj. Hvis der kommer støv, affald eller fugt ind i kølemiddelrørene, kan det medføre forringelse af kølemiddelolien.
- Anvend ikke en påfyldningscylinder. Hvis der bruges en påfyldningscylinder, vil sammensætningen af kølemidlet blive ændret, hvilket vil nedsætte effektiviteten.

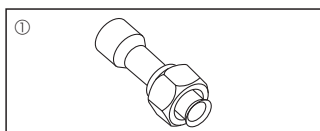


Fig. 1-1

1.6. Tilbehør til udvendig enhed (Fig. 1-1)

Delene, der vises til venstre, er tilbehør til denne enhed, som anbringes på indersiden af servicepanelet.

- ① Samlerør.....x1

2. Montagedsted

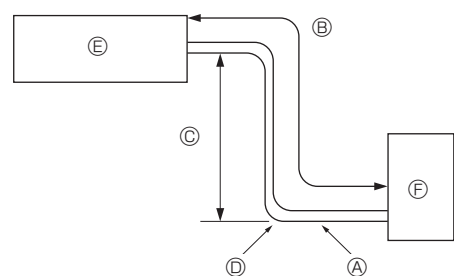


Fig. 2-1

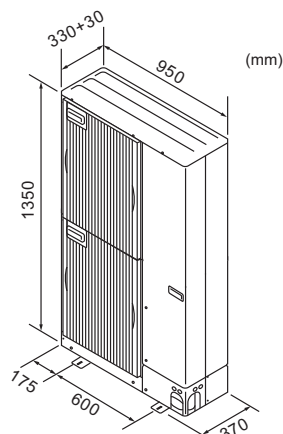


Fig. 2-2

2.1. Kølerør (Fig. 2-1)

► Kontrollér, at forskellen mellem højden på den indendørs og den udendørs enhed, længden af kølerørforingen og antallet af bøjninger på rørforingen er indenfor de nedenfor viste grænser.

Modeller	A Rørstørrelse (mm)		B CLængde af rørforing (en vej)	C Højdeforskel	D Antal bøjninger (en vej)
	Gasside	Væskeside			
P200	ø25,4	ø9,52	Max. 70 m	Max. 30 m	Max. of 15
P250	(ø28,58)	ø12,7	Max. 70 m	Max. 30 m	Max. of 15

- Grænserne for højdeforskel er bindende, ligegyldig hvilken enhed, den indendørs eller den udendørs, der er placeret højest.

- Ⓔ Indendørs enhed
- Ⓕ Udendørs enhed

2.2. Valg af placering af den udvendige enhed

- Undgå placeringer, der er udsat for direkte sollys eller andre varmekilder.
- Vælg en placering, hvor støj fra enheden ikke forstyrrer naboerne.
- Vælg en placering, der tillader nem adgang for rør- og ledningsføring til forsyningskilderne og til indendørs enheden.
- Undgå placeringer, hvor brændbare gasser kan lække, opstå, strømme eller samle sig.
- Vær opmærksom på, at der kan løbe vand fra enheden under driften.
- Vælg en vandret placering, der kan bære vægten af og modstå vibrationer fra enheden.
- Undgå placeringer, hvor enheden kan blive dækket af sne. I områder, hvor der kan forventes kraftigt snefald, skal der tages særlige forholdsregler som f.eks. at hæve placeringen af enheden eller montere en hætte på luftindtaget for at forhindre, at sneen blokerer luftindtaget eller blæser direkte imod det. Dette kan reducere luftstrømmen og medføre fejlfunktion.
- Undgå placeringer, der udsættes for olie, damp eller svovlholdige gasser.
- Brug transporthåndtagene på udendørs enheden, når den skal transporteres. Hvis enheden bæres i bunden, kan hænder eller fingre komme i klemme.

2.3. Udvendige mål (Udendørs enhed) (Fig. 2-2)

2. Montagedsted

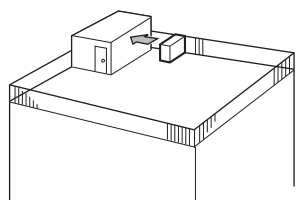


Fig. 2-3

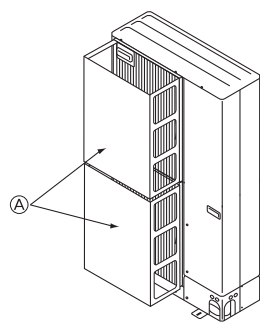


Fig. 2-4

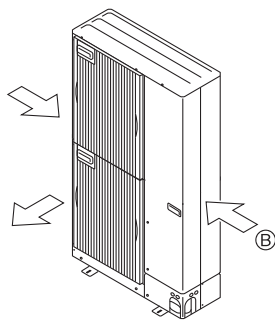


Fig. 2-5

2.4. Plads til ventilation og service

2.4.1. Installation på et sted med megen blæst

Hvis udendørs enheden installeres på et tag eller et andet sted, hvor den er ubeskyttet imod blæsten, skal enhedens luftudblæsning anbringes, så den ikke udsættes direkte for kraftig blæst. Hvis stærk blæst kommer ind i luftudblæsningen, kan det hæmme den normale luftstrøm og medføre fejlfunktion.

I det følgende vises tre eksempler på forholdsregler imod stærk blæst.

- ① Anbring udblæsningen, så den vender imod den nærmeste væg og ca. 50 cm fra den. (Fig. 2-3)
- ② Montér en ekstra luftledeskærm på steder, hvor kraftig vind kan blæse direkte ind i luftudgangen (Fig. 2-4).
 - Ⓐ Luftledeskærm
- ③ Anbring om muligt enheden således, at luftudblæsningen blæser vinkelret på den fremherskende vindretning. (Fig. 2-5)
 - Ⓑ Vindretning

2.4.2. Ved installation af en enkelt udendørs enhed (Se sidste side)

Der er følgende minimummål, bortset fra angivne maks., der betyder maksimummål.

Se disse henvisninger i hvert enkelt tilfælde.

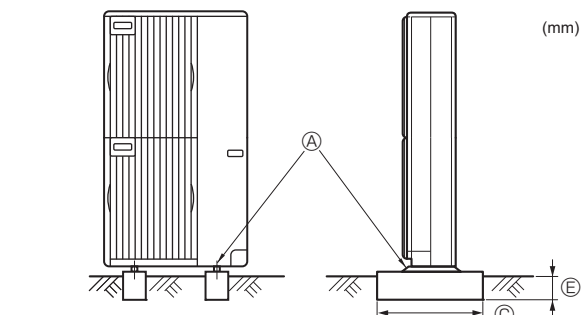
- ① Kun forhindringer bagved (Fig. 2-6)
- ② Kun forhindringer bagved og ovenover (Fig. 2-7)
- ③ Kun forhindringer bagved og i siderne (Fig. 2-8)
- ④ Kun forhindringer foran (Fig. 2-9)
 - Ved brug af en luftledeskærm som ekstraudstyr skal frigangen være 500 mm eller mere.
- ⑤ Kun forhindringer foran og bagved (Fig. 2-10)
 - Ved brug af en luftledeskærm som ekstraudstyr skal frigangen være 500 mm eller mere.
- ⑥ Kun forhindringer bagved, i siderne og ovenover (Fig. 2-11)
 - Brug ikke udblæsningsledepladerne (ekstraudstyr) til luftstrøm opad.

2.4.3. Ved installation af flere udendørs enheder (Se sidste side)

Lad der være 10 mm afstand eller mere mellem enhederne.

- ① Kun forhindringer bagved (Fig. 2-12)
- ② Kun forhindringer bagved og ovenover (Fig. 2-13)
 - Der må ikke installeres mere end tre enheder ved siden af hinanden. Der skal desuden være afstand som vist.
 - Brug ikke udblæsningsledepladerne (ekstraudstyr) til luftstrøm opad.
- ③ Kun forhindringer foran (Fig. 2-14)
 - Ved brug af en luftledeskærm som ekstraudstyr skal frigangen være 1000 mm eller mere.
- ④ Kun forhindringer foran og bagved (Fig. 2-15)
 - Ved brug af en luftledeskærm som ekstraudstyr skal frigangen være 1000 mm eller mere.
- ⑤ Enkelt parallel enhed arrangement (Fig. 2-16)
 - Hvis der anvendes en udblæsningsledeplade (ekstraudstyr) til luftstrøm opad, skal den fri afstand være 1000 mm eller mere.
- ⑥ Flere parallelle enheder arrangement (Fig. 2-17)
 - Hvis der anvendes en udblæsningsledeplade (ekstraudstyr) til luftstrøm opad, skal den fri afstand være 1500 mm eller mere.
- ⑦ Stabilede enheder arrangement (Fig. 2-18)
 - Enhederne kan stables i op til 2 enheders højde.
 - Der må ikke installeres mere end 2 stablede enheder ved siden af hinanden. Der skal desuden være afstand som vist.

3. Montering af den udendørs enhed



- Ⓐ M10 (3/8") bolt
- Ⓑ Monteringsplade
- Ⓒ Så lang som muligt.
- Ⓓ Ventilationsåbning
- Ⓔ Grav enheden et stykke ned i jorden

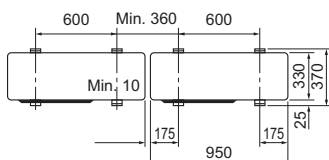


Fig. 3-1

• Enheden skal monteres på en solid, plan overflade for at forhindre raslelyde under anvendelsen. (Fig. 3-1)

<Specifikationer for fundament>

Fundamentbolt	M10 (3/8")
Betontykkelse	120 mm
Boltlængde	70 mm
Belastningskapacitet	320 kg

- Kontroller at fundamentboltene er mindre end 30 mm fra monteringspladens bund.
- Fastgør monteringspladen omhyggeligt med fire M10-fundamentbolte på solide steder.

Installation af udendørs enheden

- Sørg for ikke at blokere ventilationsåbningen. Hvis ventilationsåbningen blokeres, vil driften blive forhindret og der kan opstå nedbrud.
- Udover enhedens underdel kan man om nødvendigt anvende installationshullerne på bagsiden, der er beregnet til ledninger mm., til installation af enheden. Brug selvskærende skruer (ø5 × 15 mm eller mindre) og monter på stedet.

⚠ Advarsel:

- Enheden skal monteres fast og sikkert på en underkonstruktion, der kan bære dens vægt. Hvis enheden monteres på en ustabil konstruktion, kan den falde ned og forårsage beskadigelse og kvæstelser.
- For at minimere risikoen for beskadigelse som følge af jordskælv, tyfoner eller kraftigt stormvejr skal enheden installeres ifølge vejledningen. En ukorrekt installeret enhed kan falde ned og forårsage beskadigelse eller kvæstelser.

4. Montering af kølemiddelrør

4.1. Forholdsregler for apparater der anvender R410A kølemiddel

- Se 1.5. for forholdsregler, der ikke er angivet nedenfor, vedrørende anvendelse af klimaanlæg med R410A kølemiddel.
 - Brug ester-olie, ether-olie eller alkylbenzen-olie (i lille mængde) som kølemiddelolie til at smøre på de opkravede sektioner.
 - Brug C1220 kobber-fosfor legering, for sømløse rør af kobber og kobberlegering, til at samle kølemiddelrør. Brug kølemiddelrør med den tykkelse, der er angivet i skemaet nedenfor. Kontrollér at det indvendige af rørene er rene og ikke indeholder skadelige forureninger som f.eks. svovlholdige blandinger, oxidanter, affald eller støv.
- Anvend altid en ikke-oxiderende lodning ved lodning af rørene, ellers kan kompressoren tage skade.

⚠ Advarsel:

Ved installation, flytning eller serviceeftersyn af klimaanlægget må der kun anvendes det specificerede kølemiddel (R410A) til fyldning af kølemiddelrørene. Det må ikke blandes med nogen anden type kølemiddel, og der må ikke være luft tilbage i rørene.

Hvis der blandes luft sammen med kølemidlet, kan det forårsage et unormalt højt tryk i kølemiddelrøret og resultere i en eksplosion og andre farlige situationer.

Hvis der bruges andre kølemidler end det, der er specificeret for systemet, forårsager det mekanisk driftssvigt eller funktionsfejl i systemet eller nedbrud af enheden. I værste fald kan det føre til en alvorlig hindring for produkt-sikkerheden.

Rørstørrelse (mm)	ø6,35	ø9,52	ø12,7	ø15,88	ø19,05	ø22,2	ø25,4	ø28,58
Tykkelse (mm)	0,8	0,8	0,8	1,0	1,0	1,0	1,0	1,0

- Anvend ikke rør med mindre tykkelse end angivet ovenfor.

4.2. Forbindelsesrør

- Når der anvendes almindelige kobberør, pakkes væske- og gasrør ind i almindeligt isoleringsmateriale (varmebestandigt indtil 100 °C eller derover, tykkelse 12 mm og derover).
- De indendørs dele af drænrøret skal pakkes ind i isoleringsmaterialer af polyethylenskum (massefylde på 0,03, tykkelse på 9 mm eller derover).
- Kom et tyndt lag køleolie på rør og samlingsoverflade, før stramning af brystmøtrikken. Ⓐ (Fig. 4-1)
- Anvend to skrueøgler til at spænde rørforbindelserne. Ⓑ (Fig. 4-1)
- Anvend en lækagedetektor eller sæbevand til at kontrollere for gaslækager efter færdiggørelse af forbindelser.
- Påfør kølemaskineolie på hele opkravningsædets overflade. Ⓒ (Fig. 4-1)
- Brug koniske møtrikker til følgende rørstørrelse. Ⓓ (Fig. 4-1)

		RP50	RP60,71	RP100-140
Gasside	Rørstørrelse (mm)	ø12,7	ø15,88	ø15,88
Væskeside	Rørstørrelse (mm)	ø6,35	ø9,52	ø9,52

- Pas på ikke at knække rørene, når de bøjes. Bøjningsradier på 100 mm til 150 mm er passende.
- Sørg for at rørene ikke rører kompressoren. Ellers kan der opstå unormal støj eller vibrationer.

① Tilslutning af rørene skal påbegyndes fra indendørs enheden.

Brystmøtrikker skal fastspændes med en momentnøgle.

② Opkrav væskerørene og gasrørene og påfør et tyndt lag kølemiddelolie (påføres på stedet).

• Når der anvendes normal rørtætning, refereres til skema 1 for opkravning af R410A kølemiddelrør.

Størrelsesmåleren kan anvendes til kontrol af B-mål.

Skema 1 (Fig. 4-2)

Kobberør udv. dia (mm)	B (mm)	
	Kravenøgle til R410A	Kravenøgle til R22-R407C
	Koblingstype	
ø6,35 (1/4")	0 - 0,5	1,0 - 1,5
ø9,52 (3/8")	0 - 0,5	1,0 - 1,5
ø12,7 (1/2")	0 - 0,5	1,0 - 1,5
ø15,88 (5/8")	0 - 0,5	1,0 - 1,5
ø19,05 (3/4")	0 - 0,5	1,0 - 1,5

③ Følg nedenstående procedure for tilslutning af rør på gassiden. (Fig. 4-3)

1 Lod samlerøret Ⓔ på udendørsenheden vha. almindeligt loddemateriale og den lokale rørføring Ⓒ uden oxygen.

2 Forbind samlerøret Ⓔ til stopventilen på gassiden.

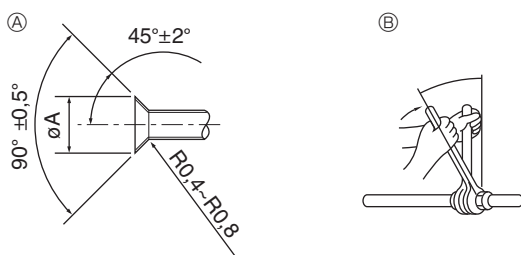
Brug to tænger til stramning af flangemøtrikken.

* Hvis dette udføres i omvendt rækkefølge, løber der kølemiddel ud, da delen beskadiges af loddevarmen.

• For PEA-RP200, 250, 400, 500GA

Rørtilslutningsmetoden er slaglodningstilslutning.

		PEA-200	PEA-250	PEA-400	PEA-500
Gasside	Rørstørrelse (mm)	ø25,4 (eller ø28,58)			
Væskeside	Rørstørrelse (mm)	ø9,52	ø12,7	ø9,52	ø12,7



Ⓐ Skæremål for kraver

Ⓑ Tilsæningsmoment for omløbermøtrik

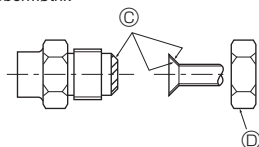


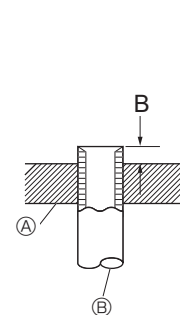
Fig. 4-1

Ⓐ (Fig. 4-1)

Kobberør udv. dia (mm)	Kravemål øA-mål (mm)
ø6,35	8,7 - 9,1
ø9,52	12,8 - 13,2
ø12,7	16,2 - 16,6
ø15,88	19,3 - 19,7
ø19,05	23,6 - 24,0

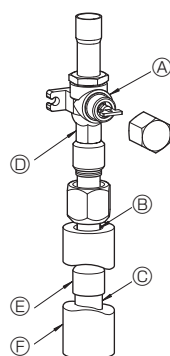
Ⓑ (Fig. 4-1)

Kobberør udv. dia (mm)	Omløbermøtrik, udv. dia. (mm)	Tilsæningsmoment (N·m)
ø6,35	17	14 - 18
ø6,35	22	34 - 42
ø9,52	22	34 - 42
ø12,7	26	49 - 61
ø12,7	29	68 - 82
ø15,88	29	68 - 82
ø15,88	36	100 - 120
ø19,05	36	100 - 120



Ⓐ Matrice

Ⓑ Kobberør



Ⓐ Stopventil (gasside)

Ⓑ Pakningsafsnit

Ⓒ Lokal rørføring

Ⓓ Dobbelt spændefsnit

Ⓔ Samlerør

Ⓕ Rørfædkning

Fig. 4-2

Fig. 4-3

4. Montering af kølemiddelrør

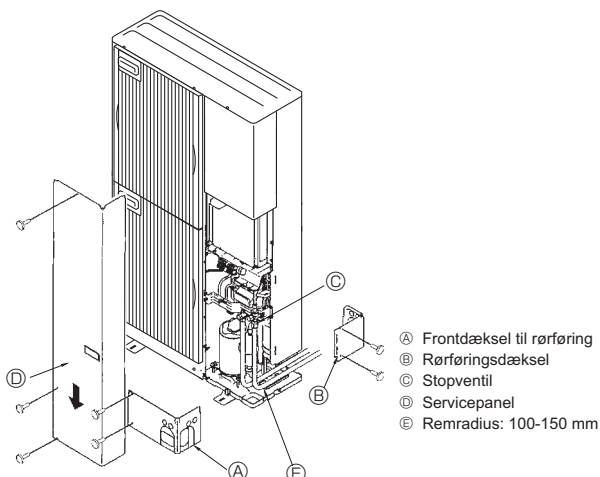
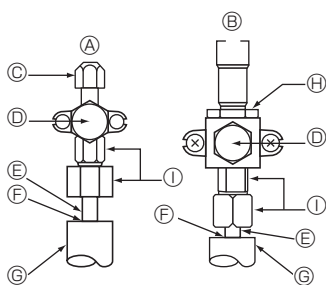


Fig. 4-4



- Ⓐ Stopventil <væskeside>
- Ⓑ Stopventil <gasside>
- Ⓒ Serviceport
- Ⓓ Åbne/lukke-sektion
- Ⓔ Pladsmonteret rør
- Ⓕ Tætning

- Ⓖ Rørbeklædning
- Ⓗ Brug ikke en tang her. Der kan løbe kølemiddel ud.
- Ⓘ Dobbelt nøgle (Anvend ikke andre nøgler på dette sted. Der kan opstå kølemiddellækager.)

(Tætn enden af det varmeisolerende materiale ved rørforbindelsen med forhåndenværende tætningsmateriale, så der ikke trænger vand ind i det varmeisolerende materiale.)

Fig. 4-5

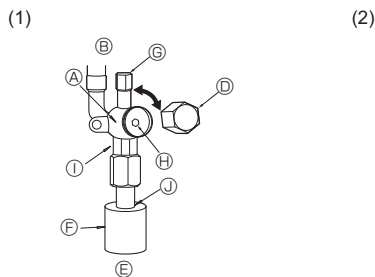


Fig. 4-6

- Ⓐ Ventil
- Ⓑ Enhedsside
- Ⓒ Håndtag
- Ⓓ Slutmuffe
- Ⓔ Pladsmonteret rørside
- Ⓕ Slutmuffe
- Ⓖ Serviceport
- Ⓗ Hul til nøgle

- Ⓘ Dobbelt nøgle (Anvend ikke andre nøgler på dette sted. Der kan opstå kølemiddellækager.)
- Ⓚ Tætning (Tætn enden af det varmeisolerende materiale ved rørforbindelsen med forhåndenværende tætningsmateriale, så der ikke trænger vand ind i det varmeisolerende materiale.)

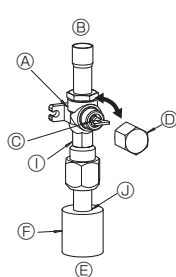


Fig. 4-7

4.3. Kølerør (Fig. 4-4)

Afmonter servicepanelet (D) (3 skruer) og røraftdækningen foran (A) (2 skruer) og røraftdækningen bagtil (B) (2 skruer).

- ① Tilslut kølemiddelrørene til den indendørs/udendørs enhed, når den udendørs enheds stopventil er lukket helt.
- ② Evakuer luft fra indendørsenheden og rørforbindelserne.
- ③ Når kølemiddelrørene er forbundet, skal rørene og den indvendige enhed kontrolleres for gaslækage. (Se 4.4. Metode til lufttæthedstest for kølemiddelrør.)
- ④ Der anvendes en højtydende vakuumpumpe ved stopventilens serviceport til opretholdelse af vakuum i et tilstrækkeligt tidsrum (min. 1 time, efter at -101 kPa (5 Torr)) er nået for at vakuumsørre rørene indvendigt. Kontrollér altid vakuumsværdien på målemanifolden. Hvis der stadig er fugt i røret, nås vakuumsværdien ikke altid ved kortvarig påførsel af vakuum. Efter vakuumsørring skal stopventilerne (for både væske og gas) på udendørsenheden åbnes. Dermed forbindes det indendørs og det udendørs kølekredsløb helt.
 - Ved utilstrækkelig vakuumsørring står der luft og vanddamp tilbage i kølekredsløbene, hvilket kan forårsage en unormal stigning til højt tryk, et unormalt fald til lavt tryk, forringelse af frysemaskinens olie pga. fugt etc.
 - Hvis stopventilerne forbliver lukkede og enheden sættes i drift, vil kompressoren og kontrolventilen blive beskadiget.
 - Brug en lækage detektor eller sæbevand til at kontrollere for gaslækage på udendørs enhedens rørforbindelser.
 - Der må ikke foretages gennemskyning af kølemiddelrørene med kølemidlet fra enheden for at fjerne luft fra rørene.
 - Efter afslutning af ventilarbejdet fastspændes ventilhætterne med det korrekte moment: 20 til 25 N·m (200 til 250 kgf·cm). Hvis hætterne ikke sættes på igen og spændes, kan der opstå kølemiddellækage. Desuden må ventilhætterne ikke blive beskadiget indvendigt, da de fungerer som tætning for at forhindre kølemiddellækage.
- ⑤ Brug tætningsmiddel til at tætte enderne af isoleringsmaterialet omkring rørsektionerne for at forhindre, at der kommer vand ind i isoleringsmaterialet.

4.4. Metode til lufttæthedstest for kølemiddelrør (Fig. 4-5)

- (1) Tilslut testværktøjet.
 - Kontrollér at stopventilerne (A) (B) er lukkede og sørg for ikke at åbne dem.
 - Påfør tryk på kølemiddelrørene gennem servicepunktet (C) Påfør tryk på kølemiddelrørene gennem servicepunktet (A).
- (2) Påfør ikke hele det specificerede tryk på én gang, men lidt efter lidt.
 - ① Påfør tryk til 0,5 MPa (5 kgf/cm²G), vent 5 minutter, og kontrollér at trykket ikke falder.
 - ② Påfør tryk til 1,5 MPa (15 kgf/cm²G), vent 5 minutter, og kontrollér at trykket ikke falder.
 - ③ Påfør tryk til 4,15 MPa (41,5 kgf/cm²G) og mål den omgivende temperatur og kølemiddeltrykket.
- (3) Hvis det specificerede tryk holder i ca. 1 dag og ikke falder, er der ingen lækage og rørene kan godkendes.
 - Hvis den omgivende temperatur ændres med 1 °C, vil trykket ændres med ca. 0,03 MPa (0,3 kgf/cm²G). Foretag de nødvendige korrektioner.
- (4) Hvis trykket falder i trin (2) eller (3), er der en gaslækage. Søg efter kilden til gaslækagen.

4.5. Stopventil, åbnemetode

Åbningsmetoden for stopventilen varierer afhængig af udendørsenhedsmodel. Brug den relevante metode til åbning af stopventilerne.

- (1) Stopventilens væskeside (Fig. 4-6)
 - ① Fjern dækslet, og drej ventilspindlen mod uret så langt som muligt vha. en 4 mm sekskantet skruenøgle. Stop med at dreje, når den når stopperen. (ca. 10 omgang)
 - ② Kontrollér, at stopventilen er helt åben og drej hættten tilbage til den oprindelige position.
- (2) Stopventilens gasside (Fig. 4-7)
 - ① Fjern hættten, træk håndtaget mod dig selv, og drej 1/4 omgang mod uret for at åbne.
 - ② Kontrollér, at stopventilen er helt åben, tryk håndtaget ind, og skru hættten på igen.

Kølerør er pakket i beskyttende emballage

- Rørene kan omvikles med beskyttelsesbeklædning op til en diameter på Ø90 før eller efter rørene forbindes. Skær udsparingen i rørbeklædningen ud ved at følge rillen og vikl beklædningen omkring rørene.

Rørindgangsåbning

- Brug kit eller tætningsmiddel til at tætte rørindgangsåbningen omkring rørene, så der ikke er nogen åben spalte. (Hvis spalterne ikke lukkes, kan der blive udsendt støj eller der kan komme vand og støv ind i enheden, hvilket kan resultere i nedbrud.)

Forholdsregler ved brug af påfyldningsventilen (Fig. 4-8)

Spænd ikke serviceporten for kraftigt under installation. Ventilindsatsen kan blive deformeret eller blive løs og forårsage udsivning af gas.

Når sektion (B) er placeret i den ønskede retning, drej den kun sektion (A), hvorefter den spændes.

Spænd ikke sektionerne (A) og (B) yderligere sammen, efter spænding af sektion (A).

⚠ Advarsel:

Tilslut omhyggeligt rørene, før kompressoren startes, når enheden installeres.

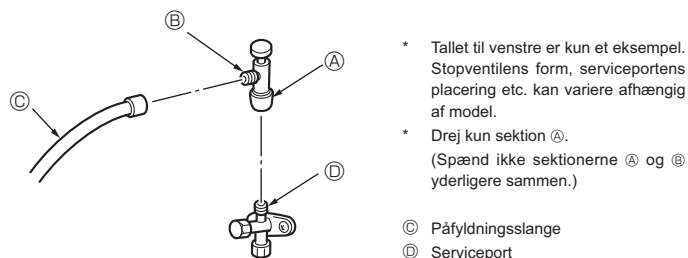


Fig. 4-8

* Tallet til venstre er kun et eksempel. Stopventilens form, serviceportens placering etc. kan variere afhængig af model.

* Drej kun sektion (A). (Spænd ikke sektionerne (A) og (B) yderligere sammen.)

- Ⓒ Påfyldningsslange
- Ⓓ Serviceport

4. Montering af kølemiddelrør

4.6. Tilsætning af kølemiddel

- Ekstra påfyldning er ikke nødvendig, hvis rørlængden ikke overstiger 30 m.
- Hvis rørlængden forlænges, skal enheden påfyldes yderligere R410A-kølemiddel ud fra følgende tabel for tilladte rørlængder.
- * Når enheden er stoppet, påfyldes enheden med det ekstra kølemiddel gennem væskestopventilen, efter at rørførelserne og indendørs enheden er påført vakuum.
- Når enheden er i drift, tilføres kølemiddel gennem gaskontrolventilen ved hjælp af en sikkerheds-påfyldningsenhed. Tilfør ikke kølemiddel i væskeform direkte gennem kontrolventilen.

- * Efter påfyldning af enheden med kølemiddel skal den tilførte mængde kølemiddel noteres på servicemærkatene (fastgjort på enheden). Referer til "1.5. Anvendelse af klimaanlæg med R410A kølemiddel" for yderligere information.
- Vær forsigtig ved installation af flere enheder. Hvis der forbindes til en ukorrekt indendørs enhed, kan der opstå unormalt højt tryk, hvilket kan have en kraftig negativ effekt på enhedens ydelse.

Modeller	Tilladt rørlængde	Tilladt lodret difference	Ekstra kølemiddelpåfyldningsmængde			
			31 - 40 m	41 - 50 m	51 - 60 m	61 - 70 m
P200	70 m	30 m	0,9 kg	1,8 kg	2,7 kg	3,6 kg
P250			1,2 kg	2,4 kg	3,6 kg	4,8 kg

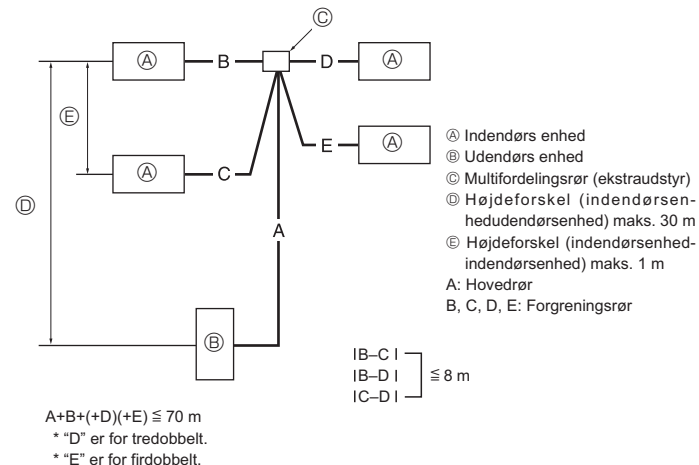


Fig. 4-9

4.7. For dobbelt/tredobbelt/firdobbelt kombination (Fig. 4-9)

- Når denne enhed bruges som en FRIT SAMMENSAT FLERSYSTEMS-enhed, skal kølemiddelrørene installeres med de restriktioner, der er angivet på tegningen til venstre. Hvis restriktionerne derudover vil blive overskredet, eller hvis der skal være en kombination af indendørs og udendørs enheder, henvises til installationsinstruktionerne til den indendørs enhed for detaljer omkring installationen.

Udendørs enhed	Den tilladte totale rørlængde A+B+C+D+E	Påfyldning, mindre rørlængde A+B+C+D+E
P200 P250	70 m og derunder	30 m og derunder

Udendørs enhed	B-C eller B-D eller B-E eller C-D eller C-E eller D-E	Antal bøjninger
P200 P250	8 m og derunder	Inden for 15

5. Føring af drænrør

Udendørs enheds drænrørsforbindelser

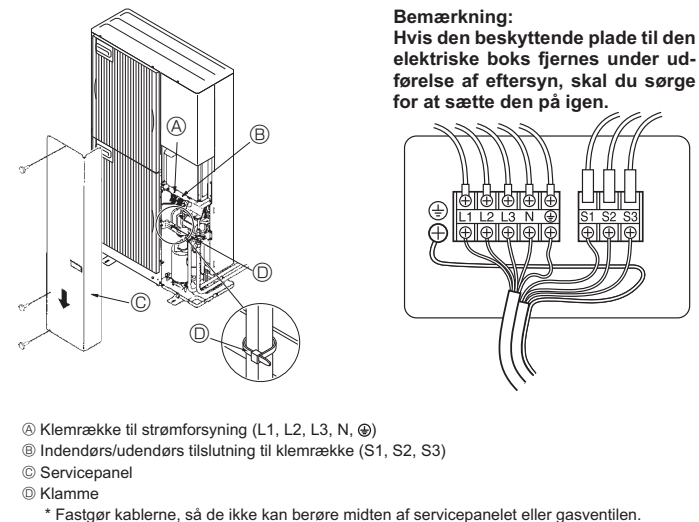
Når føring af drænrør er nødvendigt, anvend da en drænsokkel eller drænbakke (ekstraudstyr).

Drænsokkel	PAC-SG61DS-E
Drænbakke	PAC-SG64DP-E

6. Elektrisk arbejde

6.1. Udendørs enhed (Fig. 6-1, Fig. 6-2)

- (1) Afmonter servicepanelet.
- (2) Før kablerne som angivet i Fig. 6-1 og Fig. 6-2.



⚠ Forsigtig:
Sørg for at installere N-ledningen. Uden N-ledningen kan enheden blive beskadiget.

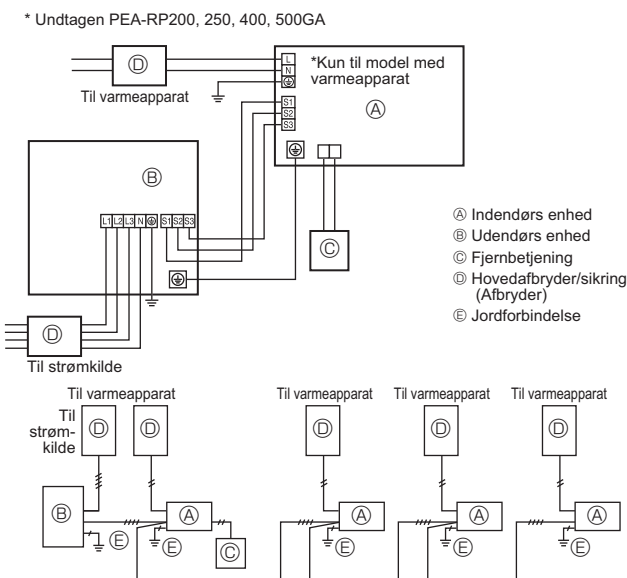
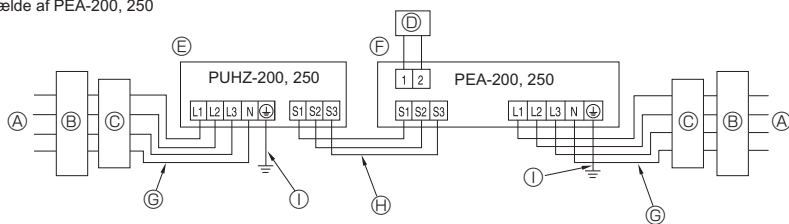


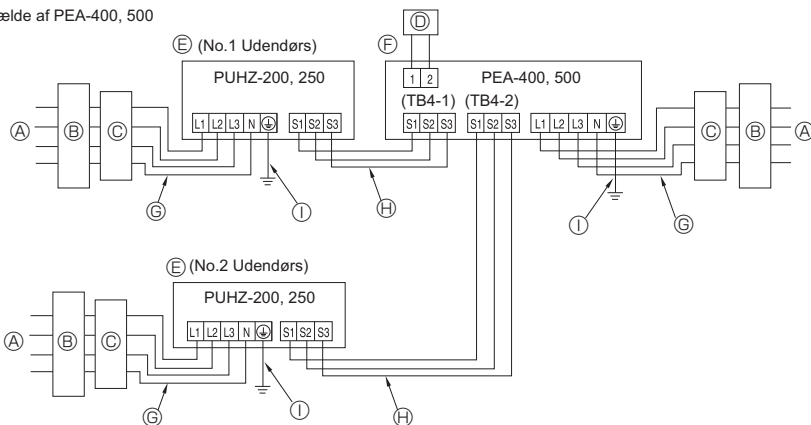
Fig. 6-1

6. Elektrisk arbejde

* I tilfælde af PEA-200, 250

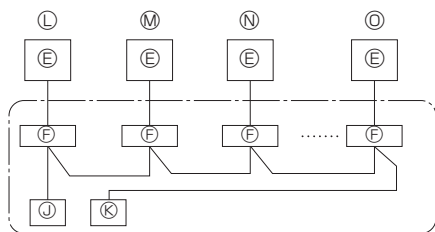


* I tilfælde af PEA-400, 500



- Ⓐ Strømforsyning
- Ⓑ Fejlstrømsafbryder
- Ⓒ Afbryder eller lokal kontakt
- Ⓓ LCD-fjernbetjening
- Ⓔ Udendørs enhed
- Ⓕ Indendørs enhed
- Ⓖ Strømkablets ledningsføring
- Ⓗ Ledningsføring af indendørs/udendørs tilslutning
- Ⓘ Jordforbindelse
- Ⓛ Master fjernstyring
- Ⓜ Underordnet fjernstyring
- Ⓝ Standard (kølemiddeladresse = 00)
- Ⓞ kølemiddeladresse = 01
- Ⓟ kølemiddeladresse = 02
- Ⓠ kølemiddeladresse = 03
- Ⓡ kølemiddeladresse = 14
- Ⓢ kølemiddeladresse = 15

* I tilfælde af PEA-200, 250



* I tilfælde af PEA-400, 500

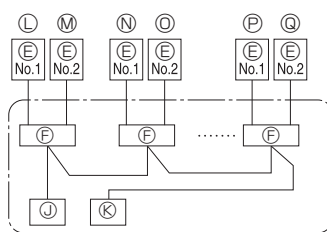


Fig. 6-2

6.2. Elektrisk ledningsføring i marken

Model, Udendørs enhed		P200, 250
Udendørs enhed Strømforsyning	Fase Frekvens og spænding	3N-(3ph, 4-ledninger), 50 Hz, 380 V
Udendørsenheds indgangsstrømkapacitet		32 A
Hovedkontakt (Afbryder)		
Ledningsføring Ledning nr. x størrelse(mm ²)	Udendørs enhed strømforsyning	5 x Min. 4
	Indendørs enhed-Udendørs enhed	*2 Kabellængde 50 m : 3 x 4 (Polær)/Kabellængde 80 m : 3 x 6 (Polær)
	Indendørs/udendørs enhed, jordforbindelse	1 x Min. 2,5
	Fjernbetjening-indendørs enhed	*3 2 x 0,3 (Ikke-polær)
Kredsløbskapacitet	Udendørs enhed L1-N, L2-N, L3-N	AC 230 V
	Indendørs enhed-Udendørs enhed S1-S2	*4 AC 230 V
	Indendørs enhed-Udendørs enhed S2-S3	*4 DC 24 V
	Fjernbetjening-indendørs enhed	*4 DC 12 V

*1. Brug en jordafledningsafbryder (NV) med en kontaktadskillelse på mindst 3 mm på hver pol.

*2. Maks. 80 m Samlet maks. inklusive al indendørs-/indendørsforbindelse er 80 m.

• Brug et kabel til S1 og S2 og et andet til S3 som vist på billedet.

• Maks. 50 m Samlet maks. for PEA. Ledningsdimension 3 x 1,5 (polær).

*3. Der er monteret en 10 m ledning til fjernbetjeningen.

*4. Tallet, der angiver spændingen, er IKKE den potentielle forskel i forhold til jorden.

S3-klemmen har DC 24 V i forhold til S2-klemmen. Mellem S3 og S1 er disse klemmer ikke elektrisk isolerede af transformeren eller andre enheder.



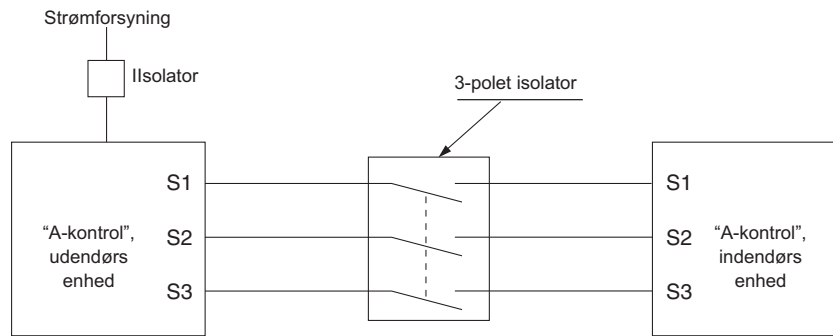
Bemærkninger: 1. Ledningsdimensioner skal være i overensstemmelse med gældende lokale og nationale normer.

2. Ledningerne mellem strømforsyningen og indendørs-/udendørsenheden må ikke være lettere end kappebeklædte, bøjelige polychloprenledninger (60245 IEC 57).

3. Brug en jordet ledning, som er længere end de andre, således at den ikke afbrydes, når der tilsluttes spænding.

Sammensplejs aldrig netkablet eller kablet til indendørs-udendørs-forbindelsen, da dette kan medføre røgudvikling, brand eller kommunikationsfejl.

6. Elektrisk arbejde



⚠ Advarsel:

I tilfælde af A-styringsledningsføring er der et højspændingspotential på S3-terminalen forårsaget af det elektriske kredsløbs design, der ikke har elektrisk isolering mellem højspændingsledningen og kommunikationssignalledningen. Sluk derfor for hovedstrømforsyningen under servicearbejde, og rør ikke ved terminal S1, S2 og S3, når strømforsyningen er aktiveret. Hvis der skal anvendes en ledningsadskiller mellem indendørsenhed og udendørsenhed, skal det være en 3-polet ledningsadskiller.

KABELTILSLUTNINGSSPECIFICATIONER FOR 220-240 V 50 Hz (INDENDØRS-UDENDØRS TILSLUTNINGSKABEL)

Tværsnit af kabel	Lederstørrelse (mm ²)	Antal ledere	Polaritet	L (m)*6
Rund	2,5	3	Med uret : S1-S2-S3 * Vær opmærksom på gul og grøn stribe	(30) *2
Flad	2,5	3	Ikke anvendelig (Fordi midterlederen ikke har overfladefinish)	Ikke anvendelig *5
Flad	1,5	4	Fra venstre mod højre : S1-Åben-S2-S3	(18) *3
Rund	2,5	4	Med uret : S1-S2-S3-Åben * Forbind S1 og S3 til den modsatte vinkel	(30) *4

*1 : Strømforsyningsledninger til apparater må ikke være mindre end konstruktion 60245 IEC eller 227 IEC.

*2 : I tilfælde af, at kabel med gul og grøn stribe er tilgængeligt.

*3 : I tilfælde af normal polaritetstilslutning (S1-S2-S3), lederstørrelse er 1,5 mm².

*4 : I tilfælde af normal polaritetstilslutning (S1-S2-S3).

*5 : Hvis de flade kabler tilsluttes som angivet i dette billede, kan de anvendes op til 30 m.

*6 : Den angivne kabellængde er kun en referenceværdi.

Den kan være forskellig afhængig af installationen, fugtighed eller materialer m.m.



Sørg for at forbinde indendørs-udendørs forbindelseskablerne direkte til enhederne (ingen mellemliggende forbindelser).

Mellemliggende forbindelser kan medføre kommunikationsfejl, hvis der kommer vand ind i kablerne og forårsager utilstrækkelig isolering imod jord eller ringe elektrisk kontakt ved det mellemliggende forbindelsespunkt.

7. Afprøvning

7.1. Før afprøvning

▶ Efter installation, ledningsføring og rørføring af indendørs og udendørs enheder er afsluttet, kontroller da for udsivning af kølemiddel, om ledningsføring til strømforsyning eller styring er løs og for fejlagtig polaritet, samt at der ikke er afbrydelse af én fase i strømforsyningen.

▶ Brug et 500-Volts megaohmmeter for at kontrollere at modstanden mellem strømforsyningsklemmerne og jordforbindelsen er mindst 1,0 MΩ.

▶ Udfør ikke denne test på styreledningsføringen (lavspændingskredsløb) klemmer.

⚠ Advarsel:

Brug ikke aircondition-enheden, hvis isoleringsmaterialets modstand er mindre end 1.0 MΩ.

Isoleringsmodstand

Efter installationen eller efter at strømforsyningen har være afbrudt i længere tid, vil isoleringsmodstanden falde til under 1 MΩ på grund af akkumulering af kølemiddel i kompressoren. Dette er ikke en fejlfunktion. Udfør følgende procedurer.

1. Afmonter ledningerne fra kompressoren og mål kompressorens isoleringsmodstand.
2. Hvis isoleringsmodstanden er under 1 MΩ, er der fejl ved kompressoren eller modstanden er faldet på grund af akkumuleringen af kølemiddel i kompressoren.
3. Når ledningerne er tilsluttet til kompressoren igen, vil kompressoren begynde at varme op, efter at strømmen er tilsluttet. Efter at have tilført strøm i de tider, der angivet nedenfor, måles isoleringsmodstanden igen.

• Isoleringsmodstanden falder på grund af akkumuleringen af kølemiddel i kompressoren. Modstanden vil stige til over 1 MΩ efter at kompressoren har varmet op i 4 timer.

(Den nødvendige tid til opvarmning af kompressoren varierer afhængig af de atmosfæriske betingelser og akkumuleringen af kølemiddel).

• For at drive kompressoren med akkumuleret kølemiddel i kompressoren, skal den varmes op i mindst 12 timer for at forhindre nedbrud.

4. Hvis isoleringsmodstanden stiger over 1 MΩ, er der ingen fejl ved kompressoren.

⚠ Forsigtig:

• Kompressoren kører kun, hvis strømforsyningens faseforbindelse er korrekt.

• Tænd for anlægget mindst 12 timer før testkørslen.

- Start af driften lige efter, at der er tændt for anlægget, kan resultere i alvorlig skade på de interne dele. Strømkontakten skal stå på ON i hele driftsperioden.

▶ Følgende punkter skal desuden kontrolleres.

- Der er ingen fejl ved udendørs enheden. LED1 og LED2 på kontrolpanelet på udendørs enheden blinker, når der er fejl ved udendørs enheden.
- Både gas- og væskestopventilen er helt åben.
- Et beskyttelsesdæksel dækker overfladen af vippekontakt-panelet på kontrolpanelet på udendørs enheden. Fjern beskyttelsesdækslet for nemt at betjene vippekontakterne.

7.2. Afprøvning

7.2.1. Brug af SW4 på udendørs enhed

SW4-1	ON	Kølefunktion
SW4-2	OFF	
SW4-1	ON	Opvarmningsfunktion
SW4-2	ON	

* Efter at have udført prøvekørslen, indstilles SW4-1 til OFF.

• Efter tilslutning af strøm kan der evt. høres en svag klikkelyd fra det indvendige af udendørs enheden. Den elektroniske ekspansionsventil åbner og lukker. Der er ingen fejl ved enheden.

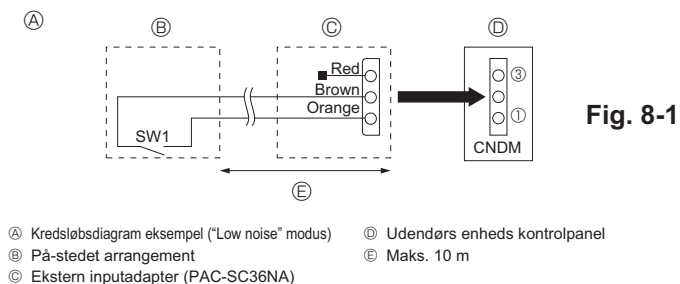
• Nogle få sekunder efter at kompressoren er startet, kan der evt. høres en klirrende lyd fra det indvendige af udendørs enheden. Lyden kommer fra kontrolventilen på grund af en lille trykforskel i rørene. Der er ingen fejl ved enheden.

Testkørsels-modusen kan ikke ændres med vippekontakt SW4-2 under testkørslen. (For at ændre testkørsels-modusen under testkørslen, stoppes testkørslen ved hjælp af vippekontakt SW4-1. Efter ændring af testkørsels-modusen genoptages testkørslen med kontakt SW4-1.)

7.2.2. Brug af fjernstyringen

Referer til indendørs enhedens installationsmanual.

8. Specielle funktioner

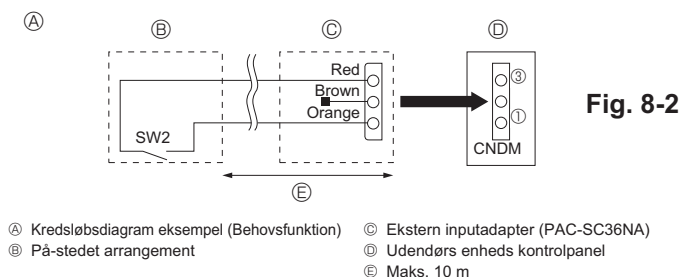


8.1. Low noise modus (ændring på stedet) (Fig. 8-1)

Ved at udføre følgende ændring kan driftsstøjen fra udendørs enheden reduceres med ca. 3-4 dB.

"Low noise" modusen vil blive aktiveret, når en kommercielt tilgængelig timer eller kontaktpinnettes fra en ON/OFF kontakt tilføjes til CNDM-stikket (sælges separat) på kontrolpanelet på udendørs enheden.

- Reduktionsevnen varierer med udendørstemperaturen, vejrtilstandene osv.
- ① Afslut kredsløbet som vist ved anvendelse af den eksterne inputadapter (PACSC36NA). (Sælges separat)
- ② SW1 ON: "Low noise" modus
SW1 OFF: Normal drift



8.2. Behovsfunktion (modifikation på stedet) (Fig. 8-2)

Når følgende modifikation udføres, kan energiforbruget reduceres til 0-100% af det normale forbrug.

Behovsfunktionen aktiveres, når en almindelig timer eller kontaktingangen fra en ON/OFF-kontakt tilføjes CNDM-stikket (ekstraudstyr) på udendørsenhedens styre-kort.

- ① Afslut kredsløbet som vist ved anvendelse af den eksterne inputadapter (PACSC36NA). (Sælges separat)
- ② Ved at indstille SW7-1 og SW7-2 på udendørsenhedens styrekort kan energiforbruget begrænses (i forhold til det normale forbrug) som vist herunder.

SW7-1	SW7-2	Energiforbrug (SW2 ON)
OFF	OFF	0% (Stop)
ON	OFF	50%
OFF	ON	75%

8.3. Opsamling af kølemiddel (nedpumpning)

Gennemfør følgende procedurer for at opsamle kølemidlet, når indendørs eller udendørs enheden flyttes.

- ① Tilslut strøm (hovedafbryder).
 - * Når strømmen er tilsluttet, skal det kontrolleres at "CENTRALLY CONTROLLED" ikke vises på fjernbetjeningen. Hvis "CENTRALLY CONTROLLED" vises, kan opsamlingen af kølemidlet (nedsugning) ikke udføres normalt.
 - * Opstart af indendørs-udendørs-kommunikation tager ca. 3 minutter, efter at der er tændt for strømmen (hovedafbryder). Start nedpumpningsfunktionen 3 til 4 minutter efter, at der er tændt for strømmen (hovedafbryder).
- ② Efter at væskestopventilen er lukket, sættes SWP-kontakten på kontrolpanelet på udendørs enheden til ON. Kompressoren (udendørs enhed) og ventilatorerne (indendørs og udendørs enhed) starter og opsamlingen af kølemidlet begynder. LED1 og LED2 på kontrolpanelet på udendørs enheden er tændt.
 - * Sæt kun SWP-kontakten (trykknapp-type) til ON, hvis enheden er stoppet. Imidlertid kan kølemiddelopsamlingen ikke gennemføres, selvom enheden er stoppet og SWP-kontakten sættes til ON mindre end 3 minutter efter at kompressoren stopper. Vent til kompressoren har været stoppet i 3 minutter og sæt derefter SWP-kontakten til ON igen.

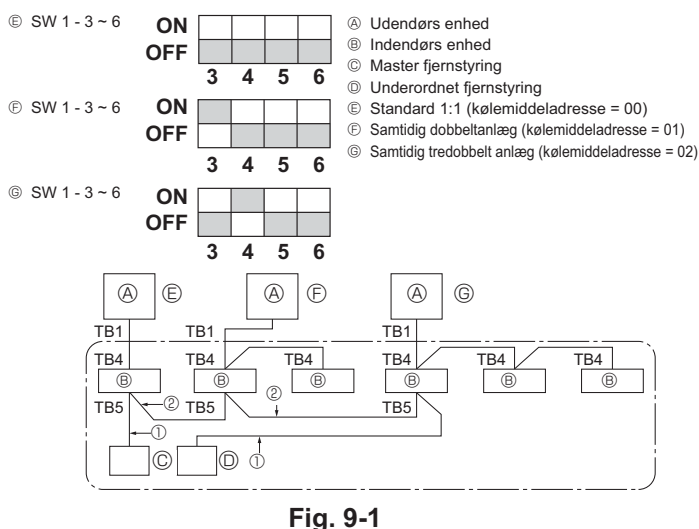
- ③ Luk gasstopventilen hurtigt, da enheden automatisk stopper efter ca. 2 til 3 minutter, når kølemiddelopsamlingen er gennemført (LED1 slukket, LED2 lyser). Hvis LED1 lyser, LED2 er slukket, og den udendørs enhed er stoppet, er kølemiddelopsamlingen ikke udført korrekt. Åbn væskestopventilen helt, og gentag trin ② efter 3 minutter.
 - * Hvis opsamlingen af kølemiddel er gennemført normalt (LED1 slukket, LED2 lyser), forbliver enheden stoppet, til der slukkes for strømforsyningen.

- ④ Afbryd strømmen (hovedafbryder).
 - * Bemærk, at en nedpumpning muligvis ikke kan udføres, hvis forlængerrøret er meget langt og indeholder en stor mængde kølemiddel. Ved udførelse af en udpumpningsdrift skal det kontrolleres, at det lave tryk er sænket til tæt ved 0 MPa (måler).

⚠ Advarsel:

Ved nedpumpning af kølemiddel skal kompressoren stoppes, før kølerørerne afmonteres. Kompressoren kan revne, hvis der kommer luft eller lignende ind i den.

9. Systemkontrol (Fig. 9-1)



- * Indstil kølemiddeladressen ved hjælp af dip-switchen på den udendørs enhed.

① Ledningsføring fra fjernstyringen
Denne ledning er tilsluttet TB5 (klemmerække til fjernstyring) på den indendørs enhed (ikke-polær).

② Når der anvendes en anden gruppering for kølemiddelsystemet. Indtil 16 kølemiddelsystemer kan styres som én gruppe ved hjælp af den smalle MA fjernstyring.

Bemærk:
I et enkelt kølemiddelsystem (to/tredobbelt) er ledningsføring ikke nødvendig ②.

SW1 Funktionsskema	Funktion	Drift afhængig af kontaktindstilling	
		ON	OFF
SW1 funktionsindstillinger	1 Obligatorisk afrimning	Start	Normal
	2 Sletning af fejloversigt	Slet	Normal
	3 Indstilling af adresse for kølemiddelsystem	Indstillinger af adresser 0 til 15 for udendørsenhed	
	4		
	5		
	6		

Innehåll

1. Säkerhetsåtgärder	83	6. Elektriska arbeten	88
2. Placering	84	7. Provkörning	90
3. Installation av utomhusenhet	85	8. Specialfunktioner	91
4. Installera kylmedelsrör	86	9. Systemkontroll (Fig. 9-1)	91
5. Dräneringsrör	88		

1. Säkerhetsåtgärder

- ▶ Innan du installerar enheten bör du läsa igenom samtliga "Säkerhetsåtgärder".
- ▶ Se till att elsystemets ansvarige underrättas och ger sitt godkännande innan systemet kopplas in.
- ▶ "Utrustningen uppfyller IEC 61000-3-12 förutsatt att kortslutningsströmmen S_{sc} är högre eller lika med $S_{sc} (*1)$ vid gränssnittspunkten mellan användarens strömförsörjning och det allmänna elnätet. Installatören eller användaren ansvarar för att se till att utrustningen är säker, kontakta eldistributören om det behövs, och att utrustningen endast ansluts till en strömförsörjning med en kortslutningsström S_{sc} som är högre eller lika med $S_{sc} (*1)$ "

$S_{sc} (*1)$

Modell	S_{sc} (MVA)
PUHZ-P200	1.35
PUHZ-P250	1.49

⚠ Varning:

Anger försiktighetsmått som bör vidtas för att förhindra att användaren utsätts för fara eller risk.

⚠ Försiktighet:

Beskriver säkerhetsåtgärder som bör följas för att undvika att enheten skadas.

När installationen är klar, förklara "Säkerhetsåtgärder" för enheten, hur den används och underhålls för kunden enligt informationen i bruksanvisningen och utför provkörningen för att kontrollera att den fungerar som den ska. Användaren ska behålla både installationsanvisningen och bruksanvisningen. Dessa manualer ska lämnas över till kommande användare.

⚡ : Indikerar en del som måste jordas.

⚠ Varning:

Läs noga texten på alla dekalerna på huvudenheten.

⚠ Varning:

- Enheten får inte installeras av användaren. Be en återförsäljare eller behörig tekniker installera enheten. Felaktig installation av enheten kan orsaka vattenläckage, elektriska stötar eller brand.
- Vid installationen, följ anvisningarna i installationsanvisningen och använd verktyg och rörkomponenter som är gjorda för att användas med köldmedlet R410A. Köldmedlet R410A i HFC-systemet är trycksatt till 1,6 gånger trycket hos vanliga köldmedel. Om man använder rörkomponenter som inte är konstruerade för köldmedlet R410A och enheterna inte installeras på rätt sätt, kan rören spricka och orsaka person- och maskinskador. Dessutom kan detta orsaka vattenläckage, elektriska stötar eller brand.
- Enheten ska installeras enligt anvisningarna för att risken för skador från jordbävningar, tyfoner och kraftig vind ska minimeras. En felaktigt installerad enhet kan falla ned och orsaka person- och maskinskador.
- Enheten måste fästas säkert på en konstruktion som kan bära dess vikt. Om enheten monteras på en instabil konstruktion, kan den falla ned och orsaka person- och maskinskador.
- Om luftkonditioneringen installeras i ett litet rum, måste man vidta åtgärder för att förhindra att köldmedelskoncentrationen i rummet överskrider säkerhetsgränsen i händelse av ett läckage. Rådfråga en återförsäljare om vilka åtgärder som måste vidtas för att förhindra att den tillåtna koncentrationen överskrider. Om köldmedlet läcker ut och gör att koncentrationen överskrider gränsen, kan risker uppstå på grund av syrebrist i rummet.
- Vädra rummet om köldmedel läcker ut vid drift. Om köldmedel kommer i kontakt med öppen låga kan giftiga gaser utvecklas.
- Alla elarbeten måste utföras av behörig tekniker enligt lokala föreskrifter och anvisningarna i denna manual. Enheterna måste matas via därför avsedda elledningar. Rätt spänning och överspänningsskydd måste användas. För klara elledningar eller felaktiga elinstallationer kan orsaka elektriska stötar eller brand.
- Använd C1220 koppar/fosfor till skarvfria rör av koppar eller kopparlegering för anslutning av kylmedelsrören. Om rören inte ansluts på rätt sätt, blir enheten inte ordentligt jordad och detta kan orsaka elektriska stötar.

- Använd endast angivna kablar för anslutningar. Anslutningarna måste göras på ett säkert sätt utan spänningar i terminalanslutningarna. Kablarna får aldrig skarvas (om inget annat anges i detta dokument). Om instruktionerna inte följs kan det leda till överhettning eller brand.
- Skyddet för kopplingsplinten på utomhusenheten måste fästas ordentligt. Om skyddet monteras på fel sätt och om damm och fukt tränger in i enheten, kan detta orsaka elektriska stötar eller brand.
- När du installerar, flyttar eller utför service på luftkonditioneringen får endast det angivna kylmedlet (R410A) användas för att ladda kylmedelsrören. Blanda inte med andra kylmedel och låt inte luft vara kvar i rören. Om luft blandas med kylmedel kan det orsaka onormalt högt tryck i kylmedelsrören, vilket kan leda till explosion och andra faror. Användning av annat kylmedel än det som specificeras för systemet orsakar mekaniska fel, systemfel eller haveri. I värsta fall kan det leda till en allvarlig brist som hotar produktens säkerhet.
- Använd endast tillbehör som är godkända av Mitsubishi Electric och be en återförsäljare eller behörig tekniker installera dem. Felaktig installation av tillbehör kan orsaka vattenläckage, elektriska stötar eller brand.
- Förändra inte enheten. Kontakta en återförsäljare för reparationer. Felaktiga ändringar och reparationer av enheten kan orsaka vattenläckage, elektriska stötar eller brand.
- Användaren ska aldrig försöka reparera eller flytta enheten själv. Felaktig installation av enheten kan orsaka vattenläckage, elektriska stötar eller brand. Om luftkonditioneringen måste repareras eller flyttas, be en återförsäljare eller behörig tekniker.
- När installationen är klar, kontrollera att det inte läcker ut köldmedel. Om det läcker ut köldmedel i rummet och det kommer i kontakt med lågan i en värmare eller campingkök, utvecklas giftiga gaser.

1.1. Före installationen

⚠ Försiktighet:

- Använd inte enheten på ovanliga ställen. Om luftkonditioneringen installeras i ett område som utsätts för ånga, flyktiga oljor (inklusive maskinolja) eller svavelhaltiga gaser, eller i områden med hög saltkoncentration som i kustområden, eller områden där enheten kommer att täckas av snö, kan dess prestanda försämrats avsevärt och dess inre delar kan skadas.
- Installera inte enheten där brännbara gaser kan läcka ut, skapas, strömma ut eller ansamlas. Om brännbara gaser ansamlas runt enheten kan det orsaka brand eller explosion.
- Utomhusenheten skapar kondens vid värmning. Se till att det finns dränering runt utomhusenheten om det finns risk för att sådan kondens orsakar skador.

- Vid installation av enheten i ett sjukhus eller där det finns datakommunikation, var beredd på störande ljud och elektriska störningar. Växelriktare, hushållsapparater, högfrekvent, medicinsk utrustning och utrustning för radiokommunikation kan göra att luftkonditioneringen inte fungerar eller skadas. Luftkonditionering kan även påverka medicinsk utrustning, vilken kan störa värden, och kommunikationsutrustning, vilket kan störa bildkvaliteten.

1.2. Före installationen (flyttning)

⚠ Försiktighet:

- Varmt försiktig när du transporterar eller installerar enheter. Det krävs 2 eller flera personer för att hantera enheten, eftersom den väger 20 kg eller mer. Lyft inte i packbanden. Använd skyddshandskar för att ta ut enheten från emballaget och flytta den, då du kan skada dina händer på fenor eller kanterna på andra delar.
- Gör dig av med förpackningsmaterialet på ett säkert sätt. Förpackningsmaterial, som spikar och andra delar av metall eller trä, kan orsaka sticksår och andra skador.

- Utomhusenhetens fundament och fästen ska kontrolleras regelbundet så att de inte är lösa, har sprickor eller andra skador. Om sådana felaktigheter inte korrigeras, kan enheten falla ned och orsaka person- eller maskinskador.
- Rengör inte luftkonditioneringen med vatten. Det kan orsaka elektriska stötar.
- Dra åt alla flänsmuttrar med en momentnyckel enligt specifikationen. Om de dras åt för hårt, kan flänsmuttrarna gå sönder efter en tid och köldmedel kan läcka ut.

1. Säkerhetsåtgärder

1.3. Före elarbeten

⚠ Försiktighet:

- Montera överspänningsskydd. Om sådana inte monteras, kan det orsaka elektriska stötar.
- Använd tillräckligt grova standardkablar för elledningarna. Annars kan det orsaka kortslutning, överhettning eller brand.
- Vid installation av elledningarna, belasta inte kablarna. Om anslutningarna lossas kan kablarna gå av och det kan orsaka överhettning eller brand.

1.4. Innan du startar provkörningen

⚠ Försiktighet:

- Slå på strömmen minst 12 timmar innan provkörningen startas. Om provkörningen startas omedelbart efter det att strömmen slagits på, kan interna delar skadas allvarligt. Låt strömbrytaren vara inkopplad under driftssången.
- Innan du startar provkörningen, kontrollera att alla paneler, skydd och annan skyddsutrustning är korrekt monterad. Roterande eller heta delar eller högspänningsdelar kan orsaka personskador.

1.5. Använda luftkonditioneringar med köldmedlet R410A

⚠ Försiktighet:

- Använd nya kylmedelsrör. Observera följande om befintliga rör för kylmedlet R22 återanvänds.
 - Kom ihåg att rengöra rören och se till att rörens insidor är rena.
 - Byt befintliga flänsmuttrar och flänsa ut flänsarna igen.
 - Använd inte tunna rör. (Se 4.1.)
- Använd C1220 koppar/fosfor till skarvfria rör av koppar eller kopparlegering för anslutning av kylmedelsrören. Kontrollera att rörens insidor är rena och inte innehåller skadliga föroreningar som svavelhaltiga föreningar, oxider, skräp eller damm. Använd rör med angiven tjocklek. (se 4.1.)
- Lagra de rör som ska användas vid installationen inomhus och håll båda ändarna av rören förseglade tills strax innan du ska löda dem. (Låt knärör osv ligga kvar i förpackningen.) Om damm, skräp eller fukt kommer in i köldmedelsrören, kan detta orsaka försämring av oljan eller kompressorhaveri.
- Använd olja med ester, eter, alkylbensen (liten mängd) som den köldmedelolja som används på flänsarna. Om mineralolja blandas med köldmedelolja kan detta orsaka försämring av oljan.
- Använd inget annat köldmedel än R410A. Om något annat köldmedel används, gör kloret att oljan försämras.

- Jorda enheten. Anslut inte jordledningen till gas- eller vattenledningar, åskledare eller telefonens jordledning. Felaktig jordning av enheten kan orsaka elektriska stötar.
- Använd överspänningsskydd (jordfelsbrytare, fränkskivare (+B-säkring) och helgjutna överspänningsskydd) med angiven kapacitet. Om kapaciteten för överspänningsskyddet är större än angiven kapacitet, kan detta orsaka haveri eller brand.

- Rör inte vid några omkopplare med svettiga händer. Det kan orsaka elektriska stötar.
- Rör inte vid köldmedelsrören med bara händer när enheten är igång. Köldmedelsrören är varma eller kalla beroende på det köldmedel som strömmar genom dem. Om du rör vid rören kan du få frost- eller brännskador.
- Efter körningen, vänta minst fem minuter innan du slår från strömbrytaren. Annars kan det uppstå vattenläckage eller haveri.

- Använd en vakuumpump med backventil för motströmning. Om olja från vakuumpumpen flödar bakåt in i kylmedelsrören kan kylmedlet försämrats.
- Använd följande verktyg, som är specialkonstruerade för att användas med köldmedlet R410A. Det är nödvändigt att använda följande verktyg med köldmedlet R410A. Kontakta närmaste återförsäljare om du har några frågor.

Verktyg (till R410A)	
Mätklocka	Flänsverktyg
Påfyllningsslang	Instrument för storleksinställning
Gasläckagedetektor	Vakuumpumpadapter
Momentnyckel	Elektronisk väg för köldmedelspåfyllning

- Använd rätt verktyg. Om damm, skräp eller fukt kommer in i köldmedelsrören, kan detta orsaka försämring av köldmedelolja.
- Använd inte en påfyllningscylinder. Om en påfyllningscylinder används, ändras köldmedlets sammansättning och dess effektivitet minskar.

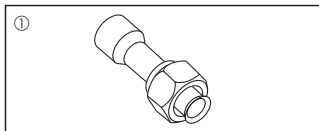


Fig. 1-1

1.6. Tillbehör till utomhusenheten (Fig. 1-1)

De delar som visas till vänster är tillbehör för denna enhet, och fästs på insidan av servicepanelen.

- ① Kopplingsrör.....x1

2. Placering

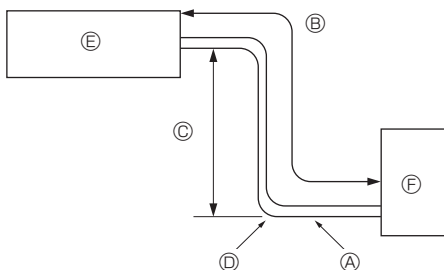


Fig. 2-1

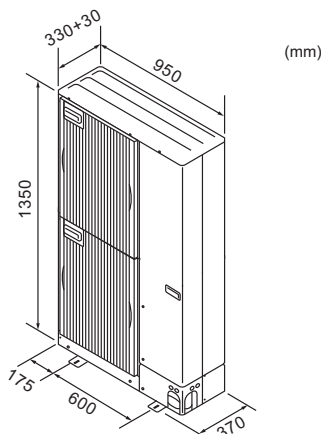


Fig. 2-2

2.1. Kylmedelsrör (Fig. 2-1)

- ▶ Kontrollera att höjdskillnaden mellan inomhus- och utomhusenheterna, längden på kylmedelsrören och antalet krökar på rören är inom de gränser som visas nedan.

Modeller	A Rörstorlek(mm)		B Rör längd (en riktning)	C Höjdskillnad	D Antal krökar (en riktning)
	Gassida	Vätskesida			
P200	ø25,4	ø9,52	Max. 70 m	Max. 30 m	Max. of 15
P250	(ø28,58)	ø12,7	Max. 70 m	Max. 30 m	Max. of 15

- Gränserna för höjdskillnaderna är bindande oavsett vilken enhet, inomhus- eller utomhusenheten, som är positionerad högst.

- ⓔ Inomhusenhet
- ⓕ Utomhusenhet

2.2. Välja plats för utomhusenheten

- Undvik platser som utsätts för direkt solljus eller andra värmekällor.
- Välj en plats där det ljud som enheten avger inte stör grannarna.
- Välj en plats där det är enkelt att koppla in elledningar och att komma åt rören, spänningskällan och inomhusenheten.
- Undvik platser där brännbara gaser kan läcka ut, skapas, strömma ut eller ansamlas.
- Observera att vatten kan droppa från enheten under drift.
- Välj en vägrät plats som kan bära upp enhetens vikt och klara dess vibrationer.
- Undvik platser där enheten kan täckas av snö. I områden där man kan förvänta sig kraftiga snöfall, måste speciella åtgärder som att höja upp installationen eller installera en huv på luftintaget vidtas, för att förhindra att snön blockerar luftintaget eller blåser in direkt i det. Det kan minska luftflödet, vilket kan orsaka fel.
- Undvik platser som utsätts för olja, ånga eller svavelhaltiga gaser.
- Använd transporthandtagen på utomhusenheten för att transportera enheten. Om man bär enheten undertill, kan händer och fingrar klämmas.

2.3. Yttre dimensioner (Utomhusenhet) (Fig. 2-2)

2. Placering

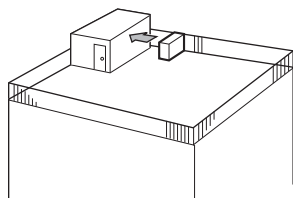


Fig. 2-3

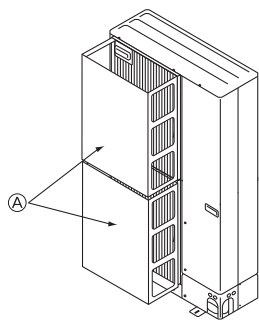


Fig. 2-4

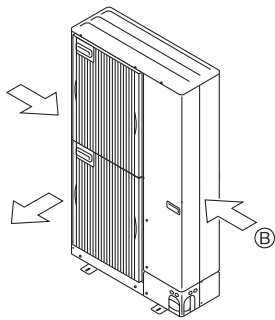


Fig. 2-5

2.4. Ventilation och utrymme för underhåll

2.4.1. Installation på blåsigaste platser

Vid installation av utomhusenheten på tak eller andra platser som är utsatta för vinden, placera enhetens utblås så att det inte utsätts direkt för kraftig vind. Kraftig vind som kommer in i luftutblåset kan försämma det normala luftflödet, vilket kan orsaka fel.

Nedan följer tre exempel på åtgärder mot kraftig vind.

- ① Rikta luftutblåset mot närmaste vägg, cirka 50 cm från väggen. (Fig. 2-3)
- ② Montera en extra luftledare om enheten installeras på en plats där kraftig vind från tyfoner osv kan komma direkt in i luftutblåset. (Fig. 2-4)
 - Ⓐ Luftledare
- ③ Placera om det går enheten så att luftutblåset blåser vinkelrätt mot den säsongsbetingade vindriktningen. (Fig. 2-5)
 - Ⓑ Vindriktning

2.4.2. Vid installation av en enstaka utomhusenhet (Se sista sidan)

De minsta måtten är följande, utom där max. anges vilket står för maximala mått. Hänvisa till siffrorna i enskilda fall.

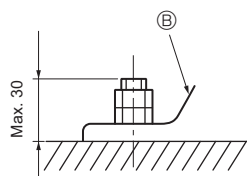
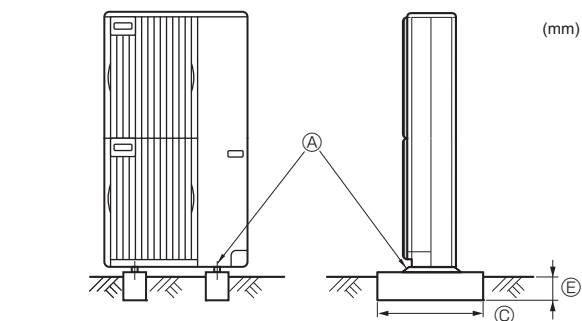
- ① Enbart hinder på baksidan (Fig. 2-6)
- ② Enbart hinder på baksidan och ovsidan (Fig. 2-7)
- ③ Enbart hinder på baksidan och sidorna (Fig. 2-8)
- ④ Enbart hinder på framsidan (Fig. 2-9)
 - Avståndet ska vara 500 mm eller mer när en extra styrning för luftutblåset används.
- ⑤ Enbart hinder på framsidan och baksidan (Fig. 2-10)
 - Avståndet ska vara 500 mm eller mer när en extra styrning för luftutblåset används.
- ⑥ Enbart hinder på baksidan, sidorna och ovsidan (Fig. 2-11)
 - Använd inte de extra styrningarna för luftutblåsen för luftflöden uppåt.

2.4.3. Vid installation av flera utomhusenheter (Se sista sidan)

Lämna minst 10 mm utrymme eller mer mellan enheterna.

- ① Enbart hinder på baksidan (Fig. 2-12)
- ② Enbart hinder på baksidan och ovsidan (Fig. 2-13)
 - Installera inte fler än tre enheter bredvid varandra. Lämna dessutom avstånd mellan dem enligt bilden.
 - Använd inte de extra styrningarna för luftutblåsen för luftflöden uppåt.
- ③ Enbart hinder på framsidan (Fig. 2-14)
 - Avståndet ska vara 1000 mm eller mer när en extra styrning för luftutblåset används.
- ④ Enbart hinder på framsidan och baksidan (Fig. 2-15)
 - Avståndet ska vara 1000 mm eller mer när en extra styrning för luftutblåset används.
- ⑤ Uppställning med en enstaka parallell enhet (Fig. 2-16)
 - När en extra styrning för luftutblåset för luftflöden uppåt används, är avståndet 1000 mm eller mer.
- ⑥ Uppställning med flera parallella enheter (Fig. 2-17)
 - När en extra styrning för luftutblåset för luftflöden uppåt används, är avståndet 1500 mm eller mer.
- ⑦ Uppställning med staplade enheter (Fig. 2-18)
 - Enheterna kan staplas upp till två på höjden.
 - Installera inte fler än två staplade enheter bredvid varandra. Lämna dessutom avstånd mellan dem enligt bilden.

3. Installation av utomhusenhet



- Ⓐ M10 (3/8") bult
- Ⓑ Fundament
- Ⓒ Så långt som möjligt.
- Ⓓ Lufthål
- Ⓔ Placera djup ner i marken

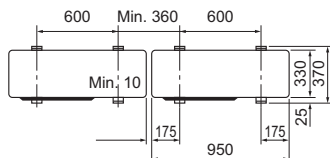


Fig. 3-1

- Se till att enheten monteras på ett stabilt och jämnt underlag för att förhindra skallrande ljud under pågående drift. (Fig. 3-1)

<Specifikationer för fundament>

Fundamentbult	M10 (3/8")
Betongjocklek	120 mm
Bultlängd	70 mm
Viktberärande kapacitet	320 kg

- Se till att fundamentbultens längd ligger inom 30 mm av fundamentets bottenyta.
- Säkra enhetens fundament så det sitter säkert med fyra M10 fundamentbultar på stadiga platser.

Installera utomhusenheten

- Blockera inte lufthålet. Om lufthålet blockeras, hindras driften och detta kan orsaka haveri.
- Förutom enhetens fundament kan man vid behov använda monteringshålen på enhetens baksida för att fästa ledningar osv. Använd självgående skruvar (ø5 × 15 mm eller mindre) och montera den på platsen.

⚠ Varning:

- Enheten måste fästas säkert på en konstruktion som kan bära dess vikt. Om enheten monteras på en instabil konstruktion, kan den falla ned och orsaka person- och maskinskador.
- Enheten ska installeras enligt anvisningarna för att risken för skador från jordbävningar, tyfoner och kraftig vind ska minimeras. En felaktigt installerad enhet kan falla ned och orsaka person- och maskinskador.

4. Installera kylmedelsrör

4.1. Försiktighetsåtgärder för enheter som använder köldmedlet R410A

- Se 1.5. för försiktighetsåtgärder som inte finns med nedan om hur man använder luftkonditioneringar med köldmedlet R410A.
- Använd olja med ester, eter, alkylbensen (liten mängd) som den köldmedelsolja som används på flänsarna.
- Använd C1220 koppar/fosfor till skarvfria rör av koppar eller kopparlegering för anslutning av kylmedelsrören. Använd köldmedelsrör med den tjocklek som anges i tabellen nedan. Kontrollera att rörens insidor är rena och inte innehåller skadliga föroreningar som svavelhaltiga föreningar, oxider, skräp eller damm.
Använd alltid icke-oxiderande hårdlödning när rören hårdlöds, annars kan kompressorn skadas.

⚠ Varning:

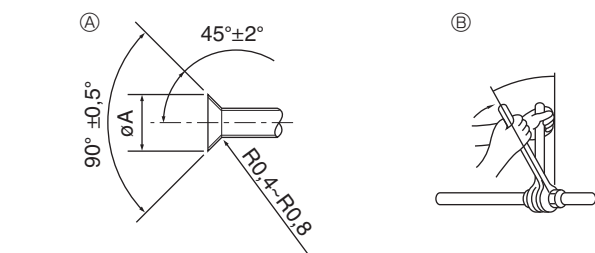
När du installerar, flyttar eller utför service på luftkonditioneringen får endast det angivna kylmedlet (R410A) användas för att ladda kylmedelsrören. Blanda inte med andra kylmedel och låt inte luft vara kvar i rören.

Om luft blandas med kylmedel kan det orsaka onormalt högt tryck i kylmedelsrören, vilket kan leda till explosion och andra faror.

Användning av annat kylmedel än det som specificeras för systemet orsakar mekaniska fel, systemfel eller haveri. I värsta fall kan det leda till en allvarlig brist som hotar produktens säkerhet.

Rörstorlek (mm)	ø6,35	ø9,52	ø12,7	ø15,88	ø19,05	ø22,2	ø25,4	ø28,58
Tjocklek (mm)	0,8	0,8	0,8	1,0	1,0	1,0	1,0	1,0

- Använd inte tunnare rör än dem som anges ovan.



- Ⓐ Mått för flänsning
- Ⓑ Åtdragningsmoment för flänsmutter

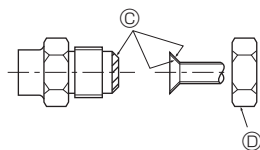


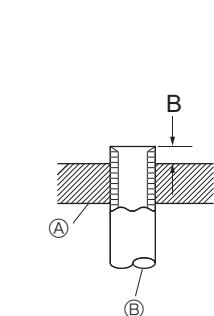
Fig. 4-1

Ⓐ (Fig. 4-1)

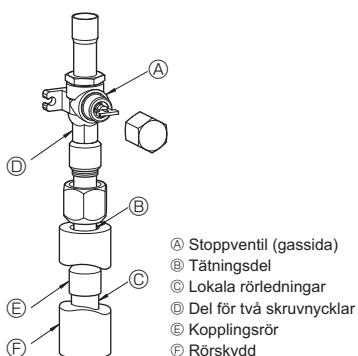
Kopparrör Y.D. (mm)	Flänsmått øA mått (mm)
ø6,35	8,7 - 9,1
ø9,52	12,8 - 13,2
ø12,7	16,2 - 16,6
ø15,88	19,3 - 19,7
ø19,05	23,6 - 24,0

Ⓑ (Fig. 4-1)

Kopparrör Y.D. (mm)	Flänsmutter Y.D. (mm)	Åtdragningsmoment (N·m)
ø6,35	17	14 - 18
ø6,35	22	34 - 42
ø9,52	22	34 - 42
ø12,7	26	49 - 61
ø12,7	29	68 - 82
ø15,88	29	68 - 82
ø15,88	36	100 - 120
ø19,05	36	100 - 120



- Ⓐ Flänsningsverktyg
- Ⓑ Kopparrör



- Ⓐ Stoppventil (gassida)
- Ⓑ Tätningssdel
- Ⓒ Lokala rörledningar
- Ⓓ Del för två skruvnycklar
- Ⓔ Kopplingsrör
- Ⓕ Rörskydd

Fig. 4-3

4.2. Anslutningsrör

- Om kommersiellt tillgängliga kopparrör används bör vätske- och gasrör lindas med kommersiellt tillgängligt isoleringsmaterial (värmebeständig upp till 100 °C eller mer, tjocklek 12 mm eller mer).
- Inomhusdelarna på dräneringsröret bör lindas med isoleringsmaterial av polyetylen (specifik vikt 0,03, tjocklek 9 mm eller mer).
- Stryk på ett tunt lager av frysmaskinolja på röret och fogens tätningssyta innan den flänsade muttern dras åt. Ⓐ (Fig. 4-1)
- Använd två skruvnycklar för att dra åt röranslutningarna. Ⓑ (Fig. 4-1)
- När röranslutningarna avslutats, använd en läckdetektor eller en tvålvattenslösning för att kontrollera efter gasläckor.
- Sätt på köldmedelsolja på flänsens hela yta. Ⓒ (Fig. 4-1)
- Använd flänsmuttrar för följande rörstorlek. Ⓓ (Fig. 4-1)

		RP50	RP60,71	RP100-140
Gassida	Rörstorlek (mm)	ø12,7	ø15,88	ø15,88
Vätskesida	Rörstorlek (mm)	ø6,35	ø9,52	ø9,52

- När du böjer rören, se till att de inte går av. En böjningsradie på 100 mm till 150 mm räcker.
- Kontrollera att rören inte kommer i kontakt med kompressorn. Det kan orsaka onormalt ljud eller vibrationer.

- ① Rören ska anslutas med början från inomhusenheten. Flänsmuttrar ska alltid dras åt med momentnycklar.
- ② Flänsa rören för vätska och gasrören och sätt på ett tunt lager köldmedelsolja (på plats).
- När vanlig rörtätning används, se tabell 1 för flänsning av köldmedelsrör för R410A.
Instrumentet för storleksinställning kan användas för kontroll av måtten B.

Tabell 1 (Fig. 4-2)

Kopparrör Y.D. (mm)	B (mm)	
	Flänsningsverktyg för R410A	Flänsningsverktyg för R22-R407C
	Kopplingstyp	
ø6,35 (1/4")	0 - 0,5	1,0 - 1,5
ø9,52 (3/8")	0 - 0,5	1,0 - 1,5
ø12,7 (1/2")	0 - 0,5	1,0 - 1,5
ø15,88 (5/8")	0 - 0,5	1,0 - 1,5
ø19,05 (3/4")	0 - 0,5	1,0 - 1,5

- ③ Följ proceduren nedan när rör ansluts på gassidan. (Fig. 4-3)
 - 1 Hårdlöd kopplingsrör Ⓔ på utomhusenheten med lokalt inhandlade material för hårdlödning och de lokala rören Ⓒ utan syre.
 - 2 Anslut kopplingsrör Ⓔ till stoppventilen på gassidan.
Dra åt flänsmuttern med två skruvnycklar.
* Om proceduren utförs i omvänd ordning kan kylmedelsläckor uppstå på grund av att en del skadats av hårdlödningen.

- För PEA-RP200, 250, 400, 500GA
Metoden som används för röranslutning är hårdlödning.

Gassida	Rörstorlek (mm)	PEA-200	PEA-250	PEA-400	PEA-500
Vätskesida	Rörstorlek (mm)	ø9,52	ø12,7	ø9,52	ø12,7

4. Installera kylmedelsrör

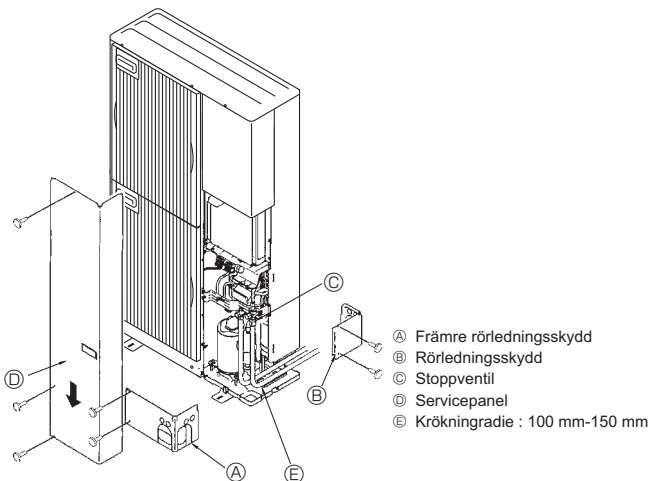
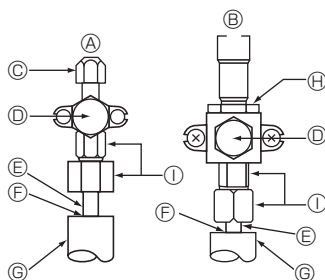


Fig. 4-4



- Ⓐ Stoppventil <våtskesida>
- Ⓑ Stoppventil <gassida>
- Ⓒ Serviceöppning
- Ⓓ Öppen/stängd sektion
- Ⓔ Lokalt rör
- Ⓕ Tätningsdel

(Täta änden på värmeisoleringen vid röranslutningen med tillgängligt tätningssmedel, för att förhindra att vatten kommer in i värmeisoleringen.)

- Ⓖ Rörskydd
 - Ⓗ Använd inte en skruvnyckel här. Det kan leda till kylmedelsläckor.
 - Ⓘ Skruvnyckeldel
- (Skruvnycklar får endast användas på denna del. Annan användning kan leda till kylmedelsläckor.)

Fig. 4-5

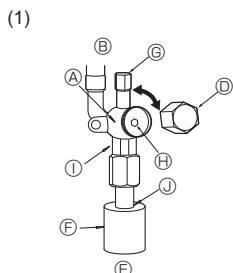


Fig. 4-6

- Ⓐ Ventil
- Ⓑ Enhetens sida
- Ⓒ Funktionsdel
- Ⓓ Käpa
- Ⓔ Sida för lokalt rör
- Ⓕ Rörskydd
- Ⓖ Serviceöppning
- Ⓗ Skruvnyckelhål

- Ⓘ Skruvnyckeldel
- (Skruvnycklar får endast användas på denna del. Annan användning kan leda till kylmedelsläckor.)
- Ⓙ Tätningsdel
- (Täta änden på värmeisoleringen vid röranslutningen med tillgängligt tätningssmedel, för att förhindra att vatten kommer in i värmeisoleringen.)

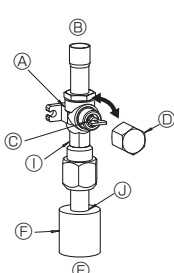


Fig. 4-7

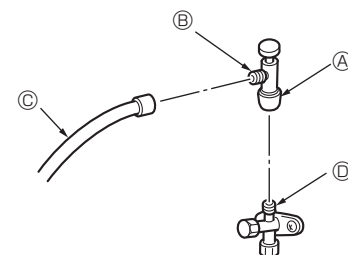


Fig. 4-8

- * Figuren till vänster är enbart ett exempel. Stoppventilens form, serviceportens läge osv. kan variera beroende på modellen.
- * Vrid endast sektion Ⓐ. (Dra inte åt sektionerna Ⓐ och Ⓑ mer tillsammans.)

- Ⓒ Påfyllnings slang
- Ⓓ Serviceport

4.3. Kylmedelsrör (Fig. 4-4)

Ta bort servicepanelen Ⓒ (3 skruvar), det främre rörledningsskyddet Ⓐ (2 skruvar) och det bakre rörledningsskyddet Ⓑ (2 skruvar).

- ① Utför anslutning av kylmedelsrör för inomhus- och utomhusenheterna medan utomhusenhetens stoppventil är helt stängd.
- ② Avlufta inomhusenheten och anslutningen av rörledningarna.
- ③ När köldmedelsrören anslutits, kontrollera om de anslutna rören och inomhusenheten läcker gas. (Se sidan 4.4. Provmotod för att kontrollera om köldmedelsrören är lufttäta.)
- ④ En högpressterande vakuumpump används vid stoppventilens serviceport för att bibehålla vakuum under lämplig tid (minst 1 timme efter att -101 kPa (5 Torr)) uppnåtts, för att vakuumtorka insidan av rörledningarna. Kontrollera alltid vakuumnivån vid vakuumanlutningen. Om fukt kvarstår i rörledningen kan vakuumnivån inte alltid uppnås med hjälp av vakuumpump under kort tid. Efter vakuumtorkningen ska utomhusenhetens stoppventiler (för både vätska och gas) öppnas helt. Detta kopplar ihop köldmedelskretsarna på inomhus- och utomhusenheterna helt.
 - Om vakuumtorkningen är otillräcklig finns det luft och vattenånga kvar i köldmedelskretsarna, vilket kan leda till onormalt högt tryck, onormalt lågt tryck, försämrade frysmaskinolja på grund av fukt, etc.
 - Om stoppventilerna lämnas öppna och enheten körs, skadas kompressorn och reglerventilerna.
 - Använd en läckagedetektor eller såpvatten för att leta efter gasläckor vid röranslutningarna på utomhusenheten.
 - Använd inte köldmediet från enheten för att avlufta köldmedelsledningarna.
 - När du är klar med ventilererna, dra åt ventilhylsorna till rätt moment: 20 till 25 N·m (200 till 250 kgf·cm).
- ⑤ Använd tätningssmedel för att täta ändarna på värmeisoleringen runt röranslutningarna för att förhindra att vatten kommer in i värmeisoleringen.

4.4. Provmotod för att kontrollera om köldmedelsrören är lufttäta (Fig. 4-5)

- (1) Anslut testverktygen.
 - Kontrollera att stoppventilerna Ⓐ Ⓑ är stängda, öppna dem inte.
 - Trycksätt köldmedelsledningarna via serviceöppning Ⓒ på stoppventilen för vätska, Ⓐ.
- (2) Trycksätt inte till det angivna trycket direkt, utan lägg på trycket lite i taget.
 - ① Trycksätt till 0,5 MPa (5 kgf/cm²G), vänta i 5 minuter, och kontrollera att trycket inte minskar.
 - ② Trycksätt till 1,5 MPa (15 kgf/cm²G), vänta i 5 minuter, och kontrollera att trycket inte minskar.
 - ③ Trycksätt till 4,15 MPa (41,5 kgf/cm²G) och mät den omgivande temperaturen och köldmedelstrycket.
- (3) Om det angivna trycket håller i ungefär en dag utan att minska, har rören klara testet och det finns inga läckor.
 - Om den omgivande temperaturen ändras med 1 °C, ändras trycket med ungefär 0,03 MPa (0,3 kgf/cm²G). Gör nödvändiga ändringar.
- (4) Om trycket minskar i steg (2) eller (3), finns det en gasläcka. Leta efter orsaken till denna gasläcka.

4.5. Öppningsmetod för stoppventil

Öppningsmetoden för stoppventiler varierar med olika modeller av utomhusenhet. Använd lämplig metod för att öppna stoppventilerna.

- (1) Stoppventilens vätskesida (Fig. 4-6)
 - ① Ta bort kåpan och vrid ventilstängens motsols så långt det går med en 4 mm sexkantsnyckel. Sluta när den når stoppet. (Ca. 10 varv)
 - ② Kontrollera att stoppventilen är helt öppen och skruva på locket igen.
- (2) Stoppventilens gassida (Fig. 4-7)
 - ① Ta bort kåpan, dra handtaget mot dig och öppna genom att vrida det 1/4 varv moturs.
 - ② Kontrollera att stoppventilen är helt öppen, skjut in handtaget och vrid tillbaka kåpan till ursprungsläget.

Kylmedelsrören ska skyddslindas

- Rören kan lindas in som skydd upp till en diameter på $\varnothing 90$ innan eller efter det att rören ansluts. Skär ut anvisningen i rörskyddet efter spåret och linda in rören. Rörets inloppsöppning
- Använd kitt eller tätningssmedel för att täta rörinloppet runt rören så att det inte finns kvar några hål. (Om hålen inte sluts, kan ljud komma ut ur enheten eller så kan vatten och damm komma in i enheten, vilket kan orsaka haveri.)

Försiktighetsåtgärder när påfyllningsventilen används (Fig. 4-8)

Dra inte åt serviceporten för mycket när den installeras, det kan göra att ventilkärnan deformeras och lossnar vilket kan leda till gasläckor.

- När sektion Ⓑ positionerats på önskad plats ska du vrida på sektion Ⓐ enbart och dra åt den.
- Dra inte åt sektionerna Ⓐ och Ⓑ mer tillsammans efter det att du dragit åt sektion Ⓐ.

⚠ Varning:

Vid installation av enheten ska kylvätskerören anslutas ordentligt innan kompressorn startas.

4. Installera kylmedelsrör

4.6. Tillsats av kylmeel

- Ytterligare påfyllning behövs inte om rörlängden inte överstiger 30 m.
- Om rörlängden överskrider ska enheten fyllas med extra R410A-kylmedel i enlighet med de tillåtna rörlängderna i tabellen nedan.
- * När enheten stannat, fyll på den med ytterligare köldmedel genom stoppventilen för vätska när rören och inomhusenheten tömts. När enheten är igång, fyll på köldmedel i gasbackventilen med en säkerhetsladdare. Fyll inte på flytande köldmedel direkt i backventilen.

- * När du har fyllt på köldmedel i enheten, anteckna den påfyllda köldmedelsmängden på serviceetiketten (på enheten). Se "1.5. Använda luftkonditionerar med köldmedlet R410A" för mer information.
- Var försiktig vid installation av flera enheter. Om man ansluter till fel inomhusenhet kan detta leda till onormalt högt tryck och påverka prestandan allvarligt.

Modell	Tillåten rörlängd	Tillåten skillnad i vertikal led	Påfyllningsmängd köldmedel			
			31 - 40 m	41 - 50 m	51 - 60 m	61 - 70 m
P200	70 m	30 m	0,9 kg	1,8 kg	2,7 kg	3,6 kg
P250			1,2 kg	2,4 kg	3,6 kg	4,8 kg

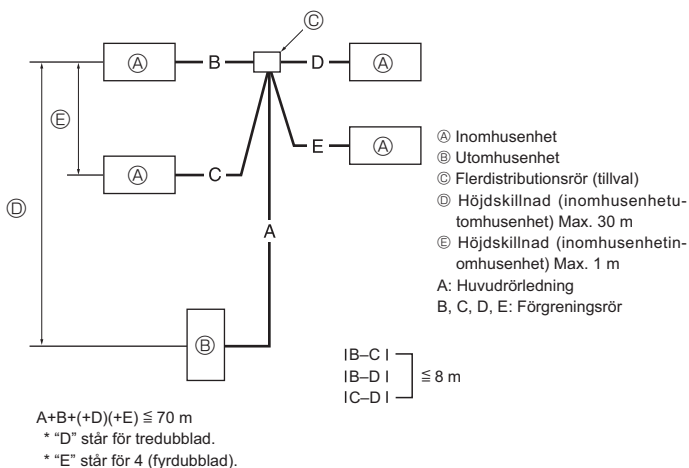


Fig. 4-9

4.7. För dubbla/tredubbla/fyrdubbla kombinationer (Fig. 4-8)

- När denna enhet används som en "FRISTÄENDE MULTIKOMBINATIONSENHET", installera kylledningarna med de begränsningar som finns angivna på ritningen till vänster. Dessutom; om begränsningarna skall överskridas, eller om det kommer att bli kombinationer av inomhus- och utomhusenheter, se installationsanvisningarna för inomhusenheten för detaljer rörande installationen.

Utomhusenhet	Totalt tillåten rörledningslängd A+B+C+D+E	Mindre påfyllning rörledningslängd A+B+C+D+E
P200 P250	70 m och mindre	30 m och mindre
Utomhusenhet	B-C eller B-D eller B-E eller C-D eller C-E eller D-E	Antal böjar
P200 P250	8 m och mindre	Inom 15

5. Dräneringsrör

Anslutningar för dräneringsrör för utomhusenheten

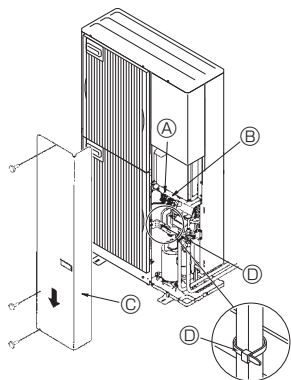
Om dräneringsrör krävs ska dräneringsuttaget eller dräneringstråget (tillval) användas.

Dräneringsuttag	PAC-SG61DS-E
Dräneringstråg	PAC-SG64DP-E

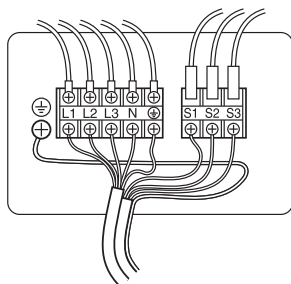
6. Elektriska arbeten

6.1. Utomhusenhet (Fig. 6-1, Fig. 6-2)

- (1) Ta bort servicepanelen.
- (2) Hänvisa till fig. 6-1 och fig. 6-2 när kablarna dras.



Obs: Kom ihåg att montera tillbaka elkomponentlådans skyddsark om det tas bort vid underhåll.



- Ⓐ Nätaggregatets kopplingsplint (L1, L2, L3, N, PE)
- Ⓑ Kopplingsplintar för anslutningar inomhus/utomhus (S1, S2, S3)
- Ⓒ Servicepanel
- Ⓓ Klämma
- * Fäst kablarna så att de inte kommer i kontakt med servicepanelens mitt eller gasventilen.

⚠ **Försiktighet:**

Se till att installera N-ledningen. Utan N-ledningen kan enheten skadas.

* Utom PEA-RP200, 250, 400, 500GA

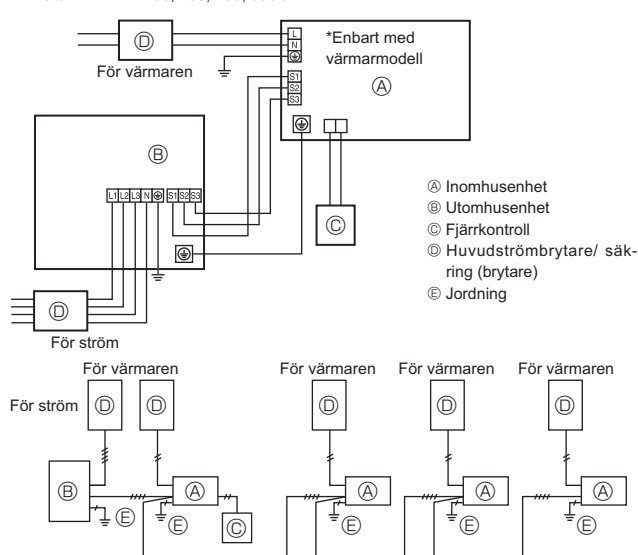
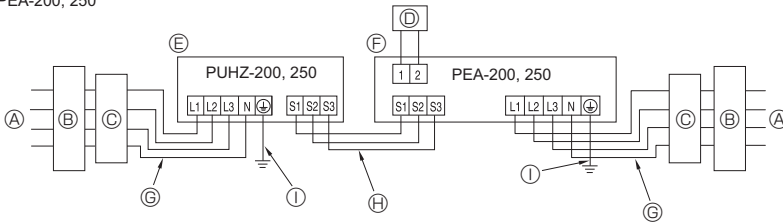


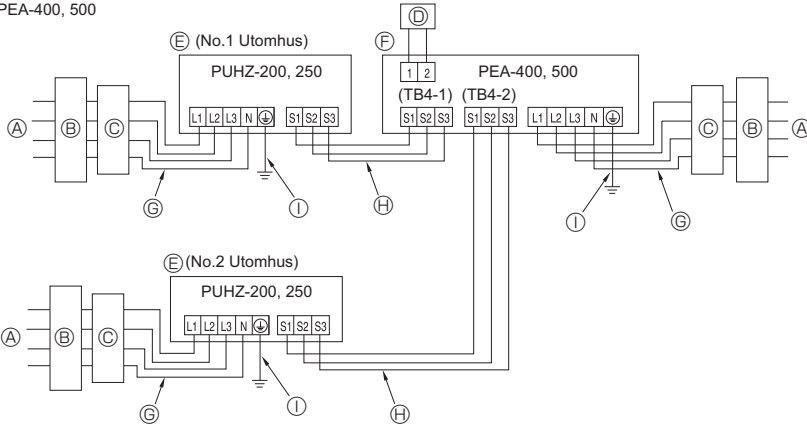
Fig. 6-1

6. Elektriska arbeten

* För PEA-200, 250

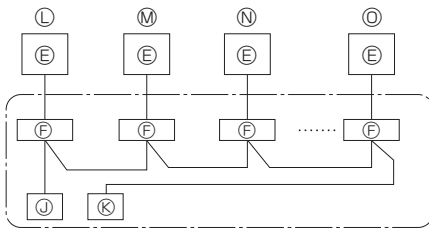


* För PEA-400, 500



- Ⓐ Strömtillförsel
- Ⓜ Jordslutningsbrytare
- Ⓒ Överspänningsskydd eller lokal brytare
- Ⓛ Fjärrkontrollens LCD
- Ⓔ Utomhusenhet
- Ⓕ Inomhusenhet
- Ⓢ Ledningsdragning för nätsladd
- Ⓣ Ledningsdragning för inomhus-/utomhusanslutning
- Ⓜ Jordning
- Ⓛ Huvudfjärrkontroll
- Ⓢ Extra fjärrkontroll
- Ⓛ Standard (Kylmedelsadress = 00)
- Ⓢ Kylmedelsadress = 01
- Ⓢ Kylmedelsadress = 02
- Ⓢ Kylmedelsadress = 03
- Ⓢ Kylmedelsadress = 14
- Ⓢ Kylmedelsadress = 15

* För PEA-200, 250



* För PEA-400, 500

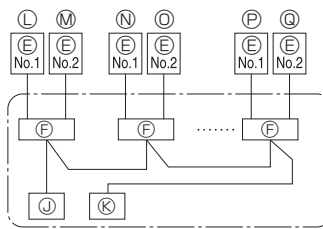


Fig. 6-2

6.2. Elektriska kopplingar på fältet

Utomhusenhetens modell		P200, 250
Kraftmatning, uttomhusenhet	Fase Frekvens och spänning	3N-(3-fas 4 ledningar), 50 Hz, 400 V
Utomhusenhetens ineffekt HF-ränskyljare (brytare)	*1	32 A
Ledningsdragning Ledningsnummer × storlek (mm ²)	Kraftmatning, uttomhusenhet	5 × Min. 4
	Inomhusenhet-Utomhusenhet	*2 Kabellängd 50 m : 3 × 4 (Polar)/Kabellängd 80 m : 3 × 6 (Polar)
	Inomhusenhet-Utomhusenhet, jord	1 × Min. 2,5
Anslutningsledning fjärrkontroll/inomhusenhet	*3	2 × 0,3 (Opolariserad)
Kretsens märkvärde	Utomhusenhet L1-N, L2-N, L3-N	AC 230 V
	Inomhusenhet-Utomhusenhet S1-S2	*4 AC 230 V
	Inomhusenhet-Utomhusenhet S2-S3	*4 DC 24 V
	Anslutningsledning fjärrkontroll/inomhusenhet	*4 DC 12 V

*1. Använd en jordslutningsbrytare (NV) med minst 3 mm avstånd mellan kontaktarna i varje pol.

*2. Max. 80 m Totalt är den maximala längden för alla inom-/ inomhusanslutningar 80 m.

• Använd en kabel för S1 och S2 och en annan för S3 så som visas på bilden.

• Max. 50 m totalt max. för PEA. Kabeltjocklek 3 × 1,5 (Polar).

*3. En 10 m ledning är monterad på tillbehöret fjärrkontrollen.

*4. Spänningen är INTE jordad.

S3-uttaget har DC24V till skillnad från S2-uttaget. Mellan S3 och S1 är uttagen INTE elektriskt isolerade av transformatorn eller någon annan enhet.



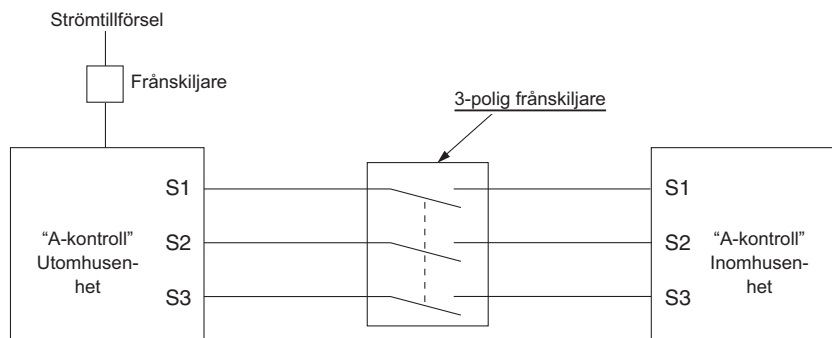
Obs :1. Kabeltjockleken måste överensstämja med nationella föreskrifter.

2. Nätströmsladdar och anslutningsladdar för inom- och utomhusenheter bör inte vara lättare än polykloroprenskärmad böjlig sladd. (Konstruktion 60245 IEC 57)

3. Använd en jordledning som är längre än de andra kablarna så att den inte kopplas bort om kabeln spänns.

Strömkabeln eller kabeln för utomhusanslutningar får aldrig skarvas. Det kan leda till rökbildning, brand eller kommunikationsfel.

6. Elektriska arbeten



⚠ Varning:

Vid ledningsdragning med A-styrning finns det potentiellt hög spänning i S3-uttaget orsakat av de elektriska kretsarnas utformning som inte har elektrisk isolering mellan strömledningen och kommunikationssignalledningen. Stäng därför av nätströmtillförseln vid underhåll. Ta inte på uttagen S1, S2, S3 när strömmen magnetiseras. Använd en 3-polig fränskiljare om en fränskiljare används mellan inomhus- och utomhusenheten.

KABELSPECIFIKATIONER FÖR 220-240 V 50 Hz (ANSLUTNINGSKABEL FÖR INOMHUS-UTOMHUSENHET)

Tvårsnitt av kabeln	Trådtycklek (mm ²)	Antal trådar	Polaritet	L (m)*6
Rund	2,5	3	Medurs : S1-S2-S3 * Notera gul och grön märkning	(30) *2
Flat	2,5	3	Gäller ej (Eftersom mittledaren inte har något hölje)	Gäller ej *5
Flat	1,5	4	Från vänster till höger : S1-Öppen-S2-S3	(18) *3
Rund	2,5	4	Medurs : S1-S2-S3-Öppen * Anslut S1 och S3 mitt emot varandra	(30) *4

*1 : Nätsladdar för apparater ska inte vara klenare än design 60245 IEC eller 227 IEC.

*2 : I händelse av att kabel med gul och grön märkning finns tillgängligt.

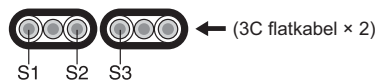
*3 : I händelse av konventionell polanslutning (S1-S2-S3), kabeltyckleken är 1,5 mm².

*4 : I händelse av konventionell polanslutning (S1-S2-S3).

*5 : Om flatkablarna är inkopplade enligt bilden, kan de användas upp till 30 m.

*6 : Nämnt kabellängd är enbart som exempel.

Det kan skilja sig beroende på installationsförhållande, fuktighet eller material, etc.



Se till att inom- och utomhusenheternas anslutningskablar ansluts direkt till enheterna (inga mellanliggande anslutningar).

Mellanliggande anslutningar kan leda till kommunikationsfel om vatten tränger in i kablarna och gör jordisoleringen otillräcklig eller skapar dålig elektrisk kontakt vid den mellanliggande anslutningspunkten.

7. Provkörning

7.1. Innan provkörningen

► Efter installationen och då rör- och elarbeten för inomhus- och utomhusenheterna är avslutade, leta efter köldmedelsläckage, lösa anslutningar för nätström eller styrström och felaktig polaritet och att det inte finns någon urkoppling av en fas i matningsspänningen.

► Använd en 500 volt megohmmeter för att kontrollera att motståndet mellan nätströmsuttag och jord är minst 1,0 MΩ.

► Utför ej denna test på styrströmsledningarnas uttag (lågspänningskretsar).

⚠ Varning:

Använd ej luftkonditioneringen om isoleringsmotståndet är mindre än 1,0 MΩ.

Isoleringsresistans

Efter installationen eller när enhetens spänningskälla har varit urkopplad under en längre tid, sjunker isoleringsresistansen under 1 MΩ på grund av köldmedel som ansamlas i kompressorn. Detta är inget fel. Gör följande:

1. Ta bort ledningarna från kompressorn och mät kompressorns isoleringsresistans.
2. Om isoleringsresistansen är lägre än 1 MΩ, är det fel på kompressorn eller så sjönk resistansen på grund av ansamlingen av köldmedel i kompressorn.
3. När du anslutit ledningarna till kompressorn, börjar den värmas upp när spänningen kopplats in. Mät isoleringsresistansen igen, när spänningen varit inkopplad den tid som anges nedan.

- Isoleringsresistansen sjunker på grund av ansamling av köldmedel i kompressorn. Resistansen ökar över 1 MΩ när kompressorn värmts upp i 4 timmar. (Den tid som behövs för att värma upp kompressorn varierar på grund av atmosfäriska villkor och ansamlingen av köldmedel.)
- Både stoppventilen för gas och den för vätska är helt öppna.
- För att man ska kunna använda kompressorn när köldmedel ansamlats i kompressorn, måste den värmas upp i minst 12 timmar för att förhindra haveri.
- 4. Om isoleringsresistansen ökar över 1 MΩ, är det inget fel på kompressorn.

⚠ Försiktighet:

- Kompressorn kommer ej att fungera om inte fasanslutningen för nätströmtillförseln är korrekt.
- Slå på strömmen minst 12 timmar innan provkörningen startas.
- Om drift inleds omedelbart efter det att nätströmmen slagits på kan interna delar skadas. Låt strömbrytaren vara inkopplad under driftsfasongen.

► Följande måste även kontrolleras.

- Utomhusenheten är hel. LED1 och LED2 på utomhusenhetens kontrollkort blinkar när utomhusenheten är trasig.
- Både stoppventilen för gas och den för vätska är helt öppna.
- En skyddsplåt täcker DIP-omkopplarens panel på utomhusenhetens kontrollkort. Ta bort skyddsplåten så att du enkelt kan ändra DIP-omkopplarna.

7.2. Provkörning

7.2.1. Använda SW4 på utomhusenheten

SW4-1	ON	Nedkylning
SW4-2	OFF	
SW4-1	ON	Uppvärmning
SW4-2	ON	

* Efter provkörningen, ställs SW4-1 in på OFF.

* När spänningen kopplas in kan ett litet, klickande ljud höras inifrån utomhusenheten. Den elektroniska expansionsventilen öppnas och stängs. Enheten är hel.

- Ett par sekunder efter att kompressorn startar kan ett klingande ljud höras inifrån utomhusenheten. Ljudet kommer från backventilen och beror på den lilla tryckskillnaden i rören. Enheten är hel.

Driftsättet vid provkörning kan inte ändras med DIP-omkopplarna SW4-2 under själva provkörningen. (För att ändra driftsättet vid provkörning under själva provkörningen, stoppa provkörningen med DIP-omkopplare SW4-1. När du ändrat driftsättet vid provkörning, fortsätt provkörningen med omkopplare SW4-1.)

7.2.2. Att använda fjärrkontrollen

Se Installationsmanual för inomhusenhet för mera information.

8. Specialfunktioner

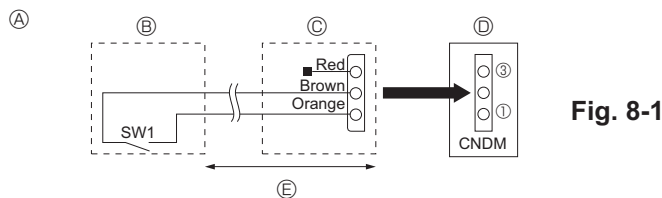


Fig. 8-1

- A Exempel på kopplingsschema (lägsta ljudnivå) D Utomhusenhetens kontrollkort
 B Uppställning på plats E Max. 10 m
 C Yttre inadaptter (PAC-SC36NA)

8.1. Lägsta ljud-nivå (ändring på plats) (Fig. 8-1)

Om du gör följande ändring kan ljudet från utomhusenheten vid drift minskas med 3-4 dB.

Lägsta ljud-nivån aktiveras när en vanlig timer eller kontakten på en ON/OFF-omkopplare (till/från) läggs till CNDM-anslutningen (säljs separat) på utomhusenhetens kontrollkort.

- Resultatet varierar med utomhustemperaturen och -villkoren osv.
- ① Slut kretsen enligt figuren med den yttre inadapttern (PAC-SC36NA). (Sälj separat)
- ② SW1 ON (till): Lägsta ljud-nivå
SW1 OFF (från): Normal drift

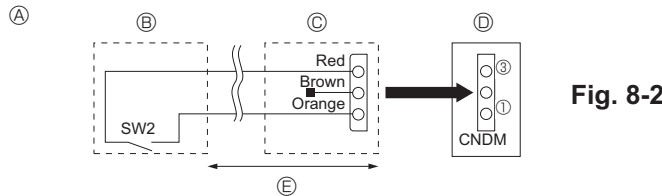


Fig. 8-2

- A Exempel på kopplingsschema (Behovsfunktion) C Yttre inadaptter (PAC-SC36NA)
 B Uppställning på plats D Utomhusenhetens kontrollkort
 E Max. 10 m

8.2. Behovsfunktion (ändring på plats) (Fig. 8-2)

När följande ändring utförs kan energiförbrukningen minskas med 0-100% jämfört med normal förbrukning.

Behovsfunktionen aktiveras när en vanlig timer eller kontakten på en ON/OFF-omkopplare (PÅ/AV) läggs till CNDM-anslutningen (tillval) på utomhusenhetens styrkort.

- ① Slut kretsen enligt figuren med den yttre inadapttern (PAC-SC36NA). (Sälj separat)
- ② Genom att ställa in SW7-1 och SW7-2 på utomhusenhetens styrkort kan energiförbrukningen begränsas (jämfört med normal förbrukning) så som visas nedan.

SW7-1	SW7-2	Energiförbrukning (SW2 ON)
OFF	OFF	0% (Stopp)
ON	OFF	50%
OFF	ON	75%

8.3. Återvinning av köldmedel

Gör följande för att återvinna köldmedlet vid flyttning av inomhus- eller utomhusenheten.

- Koppla in spänningen (överspänningskydd).
 - När spänningen är inkopplad, kontrollera att "CENTRALLY CONTROLLED" (centralt styrd) inte visas på fjärrkontrollen. Om "CENTRALLY CONTROLLED" visas, kan inte återvinningen av köldmedel slutföras på vanligt sätt.
 - Det tar cirka 3 minuter att starta kommunikationen mellan inom- och utomhusenheten efter det att strömmen (strömbrytaren) slagits PÅ.
- När stoppventilen för vätska stängts, placera SWP-omkopplaren på utomhusenhetens kontrollkort i läge ON (till). Kompressorn (utomhusenheten) och fläktarna (inomhus- och utomhusenheterna) startar och återvinningen av köldmedel påbörjas. LED1 och LED2 på utomhusenhetens kontrollkort tänds.
 - Sätt endast SWP-omkopplaren (tryckknappstyp) i läge ON (till) om enheten stannar. Även om enheten stannar och SWP-omkopplaren placeras i läge ON (till) mindre än 3 minuter efter att kompressorn stannar, kan återvinningen av köldmedel inte utföras. Vänta tills kompressorn stått stilla i 3 minuter och placera sedan SWP-omkopplaren i läge ON (till) igen.

- Eftersom enheten automatiskt stoppas inom 2 eller 3 minuter när inhämtningen av köldmedel är klar (LED1 släckt, LED2 tänd) måste du komma ihåg att snabbt stänga gasventilen. Inhämtningen av köldmedel har inte utförts på rätt sätt om LED1 är tänd och LED2 är släckt och utomhusenheten har stoppat. Öppna vätskeventilen helt och upprepa därefter steg ② när 3 minuter har gått.
 - Om inhämtningen av köldmedel har slutförts som den ska (LED1 släckt, LED2 tänd) kommer enheten att vara i stoppläge tills strömförsörjningen stängs av.

- Koppla ur spänningen (överspänningskydd).
 - Observera att om förlängningsrören är mycket långa med en stor mängd köldmedel så går det inte att genomföra en inhämtning. Vid utpumpning, säkerställ att det låga trycket sänks till nära 0 MPa (mätare).

⚠ Varning:

Vid inhämtning av köldmedium ska kompressorn stoppas innan kylvätskerören kopplas bort. Kompressorn kan spricka om luft osv. tränger in i den.

9. Systemkontrol (Fig. 9-1)

- A Utomhusenhet
 B Inomhusenhet
 C Huvudfjärrkontroll
 D Extra fjärrkontroll
 E Standard 1:1 (Kylmedelsadress = 00)
 F Simultant tvåenhetssystem (Kylmedelsadress = 01)
 G Simultant treenhetssystem (Kylmedelsadress = 02)
- SW 1 - 3 ~ 6
 ON OFF 3 4 5 6
- SW 1 - 3 ~ 6
 ON OFF 3 4 5 6
- SW 1 - 3 ~ 6
 ON OFF 3 4 5 6

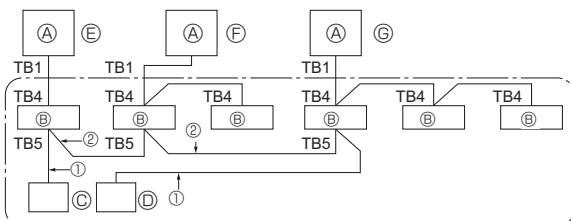


Fig. 9-1

- Ställ in kylmedelsadressen med hjälp av utomhusenhetens DIP-omkopplare.

① Ledning från fjärrkontrollen
Denna ledning är ansluten till TB5 (kopplingsbord för fjärrkontroll) på inomhusenheten (icke-polär).

② När en annan kylmedelssystemgruppering används.
Upp till 16 kylmedelssystem kan styras som en grupp med hjälp av fjärrkontrollen slim MA.

Anmärkning:

I ett enkelt kylsystem (dubbel/trippel) behöver inte ② anslutas.

SW1

Funktionstabell

<SW1>



SW1 Funktionstabelle	Funktion	Drift i enlighet med omkopplarinställning	
		ON	OFF
1 Obligatorisk avfrostning	Start	Start	Normal
2 Rensa felhistorik	Rensa	Rensa	Normal
3 Kylmedelsinställningar	Inställningar för utomhusadresserna 0 till 15	Inställningar för utomhusadresserna 0 till 15	
4 systemets adressinställning			
5 adressinställning			
6			

1. Güvenlik Önlemleri	92
2. Montaj yeri	93
3. Dış ünitenin monte edilmesi	94
4. Soğutucu borularının monte edilmesi	95
5. Drenaj Tesisatı İşleri	97

6. Elektrik işleri	97
7. Çalışma testi	99
8. Özel fonksiyonlar	100
9. Sistem kontrolü (Fig. 9-1)	100

1. Güvenlik Önlemleri

- ▶ Üniteyi monte etmeden önce “Güvenlik Önlemleri” nin hepsini okumalısınız.
- ▶ Lütfen sisteme bağlamadan önce elektrik kurumuna haber verin veya onayını alın.
- ▶ “Bu cihaz, IEC 61000-3-12 ile uyumludur ve kısa devre kuvveti olan SSC, kullanıcı güç kaynağı ile şebeke sistemi arasında bulunan arabirim noktasındaki $S_{sc} (*1)$ değerinden daha yüksek ya da bu değere eşittir. Cihazın, yalnızca kısa devre kuvvetinin S_{sc} değeri $S_{sc} (*1)$ değerine eşit ya da bu değerden daha yüksek olan bir kaynağa bağlanmasını sağlamak, cihazı monte eden ya da kullanan kişinin sorumluluğundadır; gerekirse bu konu hakkında dağıtım şebekesi operatörüne danışılabilir”

$S_{sc} (*1)$

Model	S_{sc} (MVA)
PUHZ-P200	1.35
PUHZ-P250	1.49

⚠ Uyarı:

Kullanıcı açısından yaralanma veya ölüm tehlikesinin önüne geçmek için alınması gereken önlemleri açıkla.

⚠ Dikkat:

Cihazın hasar görmesini önlemek için alınması gereken önlemleri açıkla.

Montaj tamamlandıktan sonra, Kullanma Kılavuzunda yer alan bilgilere uygun şekilde müşteriye cihazın “Güvenlik Önlemleri” ni, kullanımını ve bakımını açıklayın ve cihazın normal şekilde çalıştığından emin olmak için bir çalışma testi yapın. Hem Montaj Kılavuzu hem de Kullanım Kılavuzu, kullanıcıda kalmak üzere kendisine verilmelidir. Bu kılavuzlar sonraki kullanıcılara da devredilmelidir.



: Topraklanması gereken parçaları gösterir.

⚠ Uyarı:

Ana üniteye yapıştırılmış olan etiketleri dikkatle okuyunuz.

⚠ Uyarı:

- Cihaz kullanıcı tarafından monte edilmemelidir. Satıcıdan veya yetkili servisten cihazı monte etmelerini isteyin. Cihazın montajı yanlış yapıldığı takdirde, su kaçağı, elektrik çarpması veya yangın meydana gelebilir.
- Montaj işleri sırasında, Montaj Kılavuzu'nda yer alan talimatları izleyin ve R410A soğutucu ile kullanılmak üzere özel olarak imal edilmiş gereçleri ve boru elemanlarını kullanın. HFC sistemi içindeki R410A soğutucu, sıradan soğutuculardan 1,6 kat daha yüksek bir basınçla sıkıştırılmıştır. R410A soğutucu için tasarlanmamış boru elemanları kullanıldığı ve cihaz doğru şekilde monte edilmediği takdirde, borular patlayabilir ve hasara veya yaralanmalara yol açabilir. Ayrıca, su kaçağı, elektrik çarpması veya yangın da meydana gelebilir.
- Deprem, fırtına veya şiddetli rüzgardan zarar görme riskini en aza indirmek için, cihaz talimatlara uygun olarak monte edilmelidir. Yanlış monte edilmiş bir cihaz düşebilir ve hasara veya yaralanmalara yol açabilir.
- Cihaz, ağırlığını taşıyabilecek bir yapı üzerine emniyetli şekilde monte edilmelidir. Cihaz dengersiz bir yapı üzerine monte edildiği takdirde, düşebilir ve hasara veya yaralanmalara yol açabilir.
- Klima cihazı küçük bir odaya kurulacaksa, soğutucu kaçağı olması durumunda oda içindeki soğutucu konsantrasyonunun güvenlik sınırını aşmaması için alınacak tedbirler konusunda satıcıya danışın. Soğutucu kaçağı olması ve konsantrasyon sınırının aşılması durumunda, oda içinde oluşacak oksijen azlığı nedeniyle tehlikeli durumlara yol açılabilir.
- Kullanım sırasında soğutucu kaçağı meydana gelirse, odayı havalandırın. Soğutucunun alevle temas etmesi durumunda zehirli gazlar oluşabilir.
- Bütün elektrik işleri ruhsatlı teknisyenler tarafından, yerel yönetmeliklere ve bu kılavuzda verilen talimatlara uygun şekilde yapılmalıdır. Cihazlar kendilerine ayrılmış elektrik hatlarına bağlanmalı ve doğru voltaj ve devre kesiciler kullanılmalıdır. Yetersiz kapasiteye sahip elektrik tesisatı ve elektrik işlerinin yanlış yapılması elektrik çarpmasına veya yangına neden olabilir.
- Soğutucu borularını bağlarken, bakır ve bakır alaşımli kaynaklı borular için C1220 bakır fosfor kullanın. Borular düzgün şekilde bağlanmadığı takdirde, cihaz doğru şekilde topraklanmayacak ve elektrik çarpması riski doğacaktır.

1.1. Montajdan önce

⚠ Dikkat:

- Cihazı asılmadık ortamlarda kullanmayın. Klima cihazının buhar, uçucu yağ (makine yağı dahil) ve sülfürik aside maruz kalan alanlara, deniz kenarı gibi yüksek derecede tuza maruz kalan alanlara veya cihazın karla kaplanabileceği alanlara monte edilmesinde durumunda, performansı önemli ölçüde düşebilir ve iç aksamı zarar görebilir.
- Cihazı yanıcı gazların oluşabileceği, sızabileceği, akabileceği veya birikebileceği yerlere monte etmeyin. Cihazın yakınında yanıcı gazların birikmesi halinde yangın veya patlama meydana gelebilir.

1.2. Montajdan önce (yer değiştirme)

⚠ Dikkat:

- Ünitelerin taşınması veya kurulumu sırasında çok dikkatli olunmalıdır. 20 kg veya daha ağır olduğundan, bu cihazı taşımak için 2 veya daha fazla kişi gerekir. Ambalaj bantlarından tutmayın. Üniteyi paketinden çıkarırken ve taşırken koruyucu eldiven giyilmelidir; aksi takdirde kanatlar veya diğer parçaların kenarları ellerinizde yaralanmaya neden olabilir.
- Ambalaj maddelerinin güvenli şekilde atıldığından emin olun. Çivi veya başka metal veya tahta parçalar gibi ambalaj maddeleri batma veya başka şekillerde yaralanmalara yol açabilir.

- Kablolama için sadece belirtilen kabloları kullanın. Kablolama bağlantıları, terminal bağlantılarında hiç gerilim uygulanmadan güvenli yapılmalıdır. Ayrıca kablolama için kabloları hiçbir zaman birbirine bağlamayın (tersi bu belgede belirtilmedikçe). Bu talimatlara uyulmaması aşırı ısınmaya ya da yangına neden olabilir.
- Bina dışı ünitenin terminal blok kapağı paneli sıkıca tutturulmalıdır. Kapak paneli yanlış yerleştirilirse ve üniteye toz ve nem girerse, elektrik şoku oluşabilir veya yangın çıkabilir.
- Klimanın montajını yaparken, yerini değiştirirken veya bakımını yaparken soğutucu hatlarını doldurmak için yalnızca belirtilen soğutucuyu (R410A) kullanın. Bu soğutucuyu diğer soğutucularla karıştırmayın ve hatlarda hava kalmamasını sağlayın. Havanın soğutucuyla karışması, soğutucu hattında anormal bir basınç oluşmasına neden olabilir ve bu da patlamaya veya diğer tehlikelerin ortaya çıkmasına neden olabilir.
- Sistem için belirtilenden farklı bir soğutucunun kullanılması mekanik arızaya, sistemin bozulmasına veya ünitenin arızalanmasına neden olabilir. Bu durum, en kötü ihtimalde ürün güvenliğinin sağlanması açısından bir engel ortaya çıkarabilir.
- Bunların monte edilmesi sırasında yalnızca Mitsubishi Electric tarafından izin verilen aksesuarları kullanın veya satıcı veya yetkili teknisyene danışın. Aksesuarların montajı yanlış yapıldığı takdirde, su kaçağı, elektrik çarpması veya yangın meydana gelebilir.
- Cihaz üzerinde değişiklik yapmayın. Onarım işleri için satıcıya başvurun. Değişikliklerin veya onarımların yanlış yapılması durumunda, su kaçağı, elektrik çarpması veya yangın meydana gelebilir.
- Kullanıcı asla cihazı tamir etmeye veya başka bir yere taşımaya kalkışmamalıdır. Cihazın montajı yanlış yapıldığı takdirde, su kaçağı, elektrik çarpması veya yangın meydana gelebilir. Klima cihazının onarılması veya başka bir yere taşınması gerekiyorsa, satıcı veya yetkili bir teknisyene başvurun.
- Montaj tamamlandıktan sonra, soğutucu kaçağı olup olmadığını kontrol edin. Soğutucunun odaya sızması ve herhangi bir ısıtıcının alevi veya portatif bir yemek pişirme aracının etki alanıyla temas etmesi halinde zehirli gazlar oluşabilir.

- Dış ünite, ısıtma işlemi sırasında yoğunlaşmaya yol açar. Söz konusu yoğunlaşmanın zarar verme olasılığı varsa, dış ünite etrafında drenaj sağlayın.
- Cihazı hastane veya iletişim ofislerine monte ederken, gürültü ve elektronik parazite karşı hazırlıklı olun. Akım dönüştürücüler, ev aletleri, yüksek frekanslı tıbbi cihazlar ve radyo iletişim cihazları, klima cihazının çalışmasının aksamasına veya bozulmasına yol açabilir. Aynı zamanda klima cihazı da tıbbi cihazlara etki ederek ekran görüntüsünü bozmak suretiyle tıbbi bakımı ve iletişim cihazlarının çalışmasını aksatabilir.

- Dış ünitenin tabanı ve takılı parçalar gevşeme, çatlama ve diğer aksaklıklara karşı belirli aralıklarla kontrol edilmelidir. Bu gibi aksaklıklar düzeltilmeden bırakılırsa, cihaz düşebilir ve hasara veya yaralanmalara yol açabilir.
- Klima cihazını suyla temizlemeyin. Elektrik çarpması meydana gelebilir.
- Tork anahtarını kullanarak, bütün geçme somunları belirtilen değere kadar sıkın. Fazla sıkıldığı takdirde, geçme somun bir süre sonra kırılabilir ve soğutucu kaçağı meydana gelebilir.

1. Güvenlik Önlemleri

1.3. Elektrik işlerinden önce

⚠ Dikkat:

- Devre kesicilerini taktığınızdan emin olun. Bunlar takılmadığı takdirde, elektrik çarpması meydana gelebilir.
- Elektrik tesisatında, yeterli kapasiteye sahip standart kablolar kullanın. Aksi takdirde, kısa devre, aşırı ısınma veya yangın meydana gelebilir.
- Elektrik tesisatını kurarken kabloları germeyin. Kablolar gevşedikleri takdirde kopabilir veya kırılabilir ve bunun sonucunda da aşırı ısınma veya yangına yol açabilir.

1.4. Çalışma testinden önce

⚠ Dikkat:

- Cihazı çalıştırmadan en az 12 saat önce ana elektrik şalterini açın. Ana elektrik şalterini açtıktan hemen sonra cihazı çalıştırmak için parçaların ciddi hasar görmesine yol açabilir. Cihazın çalıştırılacağı mevsim boyunca ana elektrik şalterini açık bırakın.
- Çalıştırmaya başlamadan önce, bütün panellerin, muhafazaların ve diğer koruyucu parçaların doğru şekilde takılmış olduklarından emin olun. Döner, sıcak veya yüksek voltajlı parçalar yaralanmalara yol açabilir.

1.5. R410A soğutucu klima cihazlarının kullanımı

⚠ Dikkat:

- Yeni soğutucu boruları kullanın. Önceden R22 soğutucusu taşımış olan mevcut boruları yeniden kullanırken şunlara dikkat edin.
 - Boruları temizlediğinizden emin olun ve boruların iç yüzeylerinin temiz olduğundan emin olun.
 - Mevcut geçme somunları değiştirin ve kıvrımlı bölümleri tekrar geçirin.
 - İnce boru kullanmayın. (4.1. 'e' bakın))
- Soğutucu borularını bağlarken, bakır ve bakır alaşımlyı kaynaklı borular için C1220 bakır fosfor kullanın. Boruların iç yüzeylerinin temiz ve kükürtlü bileşikler, oksidantlar, moloz veya toz gibi zararlı maddelerden arınmış olduğundan emin olun. Belirtilmiş kalınlıkta borular kullanın. (4.1. 'e' bakın))
- Montajda kullanılacak olan boruları kapalı yerde saklayın ve boruların her iki ucunu da kaynak işleminden hemen öncesine kadar kapalı tutun. (Dirsek bağlantıları, vb.'yi ambalajlarında tutun.) Soğutucu hatlarına toz, moloz veya nem girdiği takdirde, yağ bozulabilir veya kompresör arızalanabilir.
- Geçmeli bölümlere uygulanacak soğutucu yağı olarak ester yağı, eter yağı, alkilbenzen yağı (az miktarda) kullanın. Soğutma yağına mineral yağ karışırsa, yağ bozulabilir.

- Cihazın topraklandığından emin olun. Toprak hattını gaz veya su borularına, paratonerlere veya telefon toprak hatlarına bağlamayın. Cihaz doğru şekilde topraklanmadığı takdirde, elektrik çarpması meydana gelebilir.
- Belirtilen kapasiteye sahip devre kesicileri (toprak arıza kesici, izolasyon anahtarı (+B sigortası) ve kalıplı devre kesici) kullanın. Devre kesicinin kapasitesi belirtilenden fazla olduğu takdirde, arıza veya yangın meydana gelebilir.

- Hiçbir düğmeye ıslak elle dokunmayın. Elektrik çarpması meydana gelebilir.
- Çalışma sırasında soğutucu borularına çıplak elle dokunmayın. Soğutucu boruları, akmakta olan soğutucunun durumuna göre soğuk veya sıcak olabilir. Borulara dokunulduğu takdirde yanma veya soğuk ısırması meydana gelebilir.
- Klimayı durdurduktan sonra, ana şalteri kapatmadan önce en az beş dakika bekleyin. Aksi takdirde, su kaçağı veya arıza meydana gelebilir.

- R410A soğutucusundan başka bir soğutucu kullanmayın. başka bir soğutucu kullanıldığı takdirde, klor yağı bozulmasına neden olacaktır.
- Ters akış çek valfi olan bir vakum pompası kullanın. Eğer vakum pompası akışı soğutucu hatlarına geri dönerse, soğutucu yağı bozulması oluşabilir.
- R410A soğutucu ile birlikte kullanılmak için özel olarak tasarlanmış aşağıdaki gereçleri kullanın: R410A soğutucuyu kullanmak için şu gereçler gereklidir: Herhangi bir sorunuz olduğu takdirde en yakın satıcıyla görüşün.

Gereçler (R410A için)	
Geyç manifoldu	Geçme aleti
Doldurma hortumu	Ebat ayarlama geyçi
Gaz sızıntı detektörü	Vakum pompa adaptörü
Tork anahtarı	Elektronik soğutucu dolun tartısı

- Doğru gereçleri kullandığınızdan emin olun. Soğutucu hatlarına toz, moloz veya nem girdiği takdirde, soğutma yağı bozulabilir.
- Doldurma silindiri kullanmayın. Doldurma silindiri kullanılırsa, soğutucunun bileşimi değişecek ve verimi düşecektir.

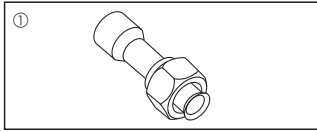


Fig. 1-1

1.6. Dış ünite aksesuarları (Fig. 1-1)

Solda görülen parçalar, ünitenin servis panelinin iç tarafına yerleştirilmiş aksesuarlardır.

- ① Bağlantı borusu.....x1

2. Montaj yeri

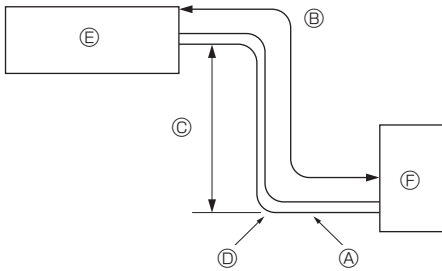


Fig. 2-1

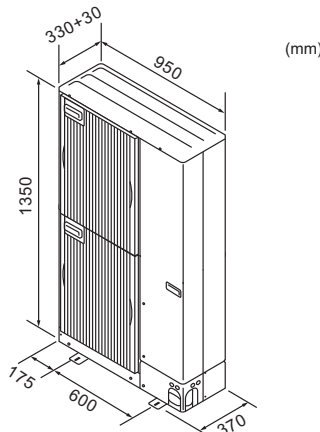


Fig. 2-2

2.1. Soğutucu boruları (Fig. 2-1)

► İç ve dış ünitelerin yükseklikleri arasındaki farkın, soğutucu borularının uzunluğunun ve borulardaki büküm sayısının aşağıda gösterilen sınırlar içinde olup olmadığını kontrol edin.

Modeller	①Boru büyüklüğü(mm)		②Boruların uzunluğu (tek yönde)	③Yükseklik farkı	④Büküm sayısı (tek yönde)
	Gaz tarafı	Sıvı tarafı			
P200	ø25,4	ø9,52	Max. 70 m	Max. 30 m	Max. of 15
P250	(ø28,58)	ø12,7	Max. 70 m	Max. 30 m	Max. of 15

• Yükseklik sınırlamaları iç ya da dış ünitelerden hangisinin daha yüksekte olduğuna bakılmaksızın geçerlidir.

- ③ İç ünite
- ④ Dış ünite

2.2. Dış ünitenin montaj yerinin seçimi

- Doğrudan güneş ışığına veya diğer ısı kaynaklarına maruz kalan yerlerden kaçın.
- Cihaz tarafından yayılan sesin komşuları rahatsız etmeyeceği bir yer seçin.
- Elektrik kaynağına ve iç üniteye kolay şekilde kablo tesisatı ve boru döşemeye elverişli bir yer seçin.
- Yanıcı gazların sızıntı yaratabileceği, meydana gelebileceği, akabileceği veya birikebileceği yerlerden kaçın.
- Çalışma sırasında cihazdan su akabileceğini unutmayın.
- Cihazın ağırlığını ve titreşimini kaldırabilecek düz bir yer seçin.
- Cihazın karla kaplanabileceği yerlerden kaçın. Şiddetli kar yağışının beklendiği yerlerde, karın hava girişini tıkamasını veya tam karşısından yağmasını engellemek için montaj konumunu yükseltmek veya hava girişine bir kapak takmak gibi özel tedbirler alınmalıdır. Bu yapılmadığı takdirde hava akışı azalabilir ve arıza çıkabilir.
- Yağ, buhar veya kükürtlü gazlara maruz kalan yerlerden kaçın.
- Cihazı taşıırken, dış üniteye yer alan taşıma kollarını kullanın. Cihaz alttan taşındığı takdirde eller veya parmaklar sıkışabilir.

2.3. Dış ölçüler (Dış ünite) (Fig. 2-2)

2. Montaj yeri

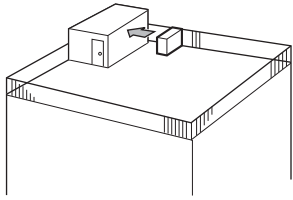


Fig. 2-3

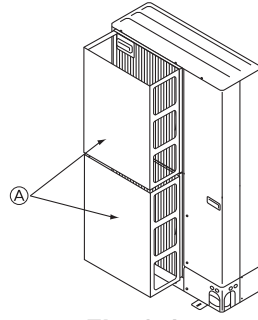


Fig. 2-4

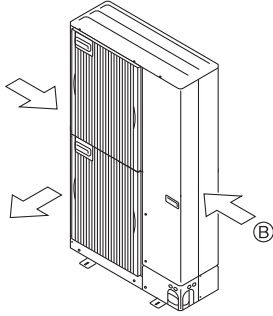


Fig. 2-5

2.4. Havalandırma ve bakım alanı

2.4.1. Rüzgarlı yerlerde montaj

Dış üniteyi çatı üstüne veya rüzgara karşı korunaksız başka bir yere monte ederken, cihazı, hava çıkışı doğrudan rüzgara karşı gelmeyecek şekilde yerleştirin. Hava çıkışından girecek güçlü rüzgar normal hava akışını aksatabilir ve arızaya yol açabilir.

Güçlü rüzgarlara karşı alınabilecek üç önlem şunlardır:

- ① Hava çıkışını, en yakındaki duvara doğru, duvardan yaklaşık 50 cm uzaklıkta olacak şekilde yerleştirin. (Fig. 2-3)
- ② Ünite, tayfun ve başka nedenlerden oluşan güçlü rüzgârların doğrudan hava çıkışına girebileceği bir yere monte edilmişse, isteğe bağlı olarak sağlanan bir hava kılavuzu monte edin. (Fig. 2-4)
 - Ⓐ Hava kılavuzu
- ③ Cihazın konumunu, mümkünse, hava çıkışından gelen havanın, mevsimsel rüzgarlarının yönüne dik gelmesini sağlayacak şekilde seçin. (Fig. 2-5)
 - Ⓑ Rüzgarın yönü

2.4.2. Tek bir dış ünite monte ederken (Son sayfaya bakın)

Minimum ölçüler, Maksimum boyutlar anlamına gelen Max'te belirtilenler dışında, şöyledir.

Her durumda şemalara başvurun.

- ① Yalnızca arkadaki engeller (Fig. 2-6)
- ② Yalnızca arkadaki ve üstteki engeller (Fig. 2-7)
- ③ Yalnızca arkadaki ve yandaki engeller (Fig. 2-8)
- ④ Yalnızca öndeki engeller (Fig. 2-9)
 - İsteğe bağlı hava çıkış kılavuzu kullanıldığında, açıklık 500 mm ya da daha fazla olmalıdır.
- ⑤ Yalnızca öndeki ve arkadaki engeller (Fig. 2-10)
 - İsteğe bağlı hava çıkış kılavuzu kullanıldığında, açıklık 500 mm ya da daha fazla olmalıdır.
- ⑥ Yalnızca arkadaki, yandaki ve üstteki engeller (Fig. 2-11)
 - İsteğe bağlı hava çıkış kılavuzlarını yukarı yöndeki hava akışı için kullanmayın.

2.4.3. Birden fazla dış ünite monte ederken (Son sayfaya bakın)

Üniteler arasında 10 mm ya da daha fazla boşluk bırakın.

- ① Yalnızca arkadaki engeller (Fig. 2-12)
- ② Yalnızca arkadaki ve üstteki engeller (Fig. 2-13)
 - Yan yana en fazla üç ünite yerleştirilmelidir. Ayrıca, aralarında gösterildiği şekilde boşluk bırakılmalıdır.
 - İsteğe bağlı hava çıkış kılavuzlarını yukarı yöndeki hava akışı için kullanmayın.
- ③ Yalnızca öndeki engeller (Fig. 2-14)
 - İsteğe bağlı hava çıkış kılavuzu kullanıldığında, açıklık 1000 mm ya da daha fazla olmalıdır.
- ④ Yalnızca öndeki ve arkadaki engeller (Fig. 2-15)
 - İsteğe bağlı hava çıkış kılavuzu kullanıldığında, açıklık 1000 mm ya da daha fazla olmalıdır.
- ⑤ Tekli paralel ünite düzeni (Fig. 2-16)
 - Yukarı yöndeki hava akışı için isteğe bağlı hava çıkış kılavuzu kullanırken, açıklık 1000 mm veya daha fazla olmalıdır.
- ⑥ Çoklu paralel ünite düzeni (Fig. 2-17)
 - Yukarı yöndeki hava akışı için isteğe bağlı hava çıkış kılavuzu kullanırken, açıklık 1500 mm veya daha fazla olmalıdır.
- ⑦ İstifli ünite düzeni (Fig. 2-18)
 - Üniteler üst üste en fazla iki üniteye kadar istiflenebilir.
 - Yan yana en fazla iki ünite istifli şekilde yerleştirilmelidir. Ayrıca, aralarında şekildedeki gibi boşluk bırakılmalıdır.

3. Dış ünitenin monte edilmesi

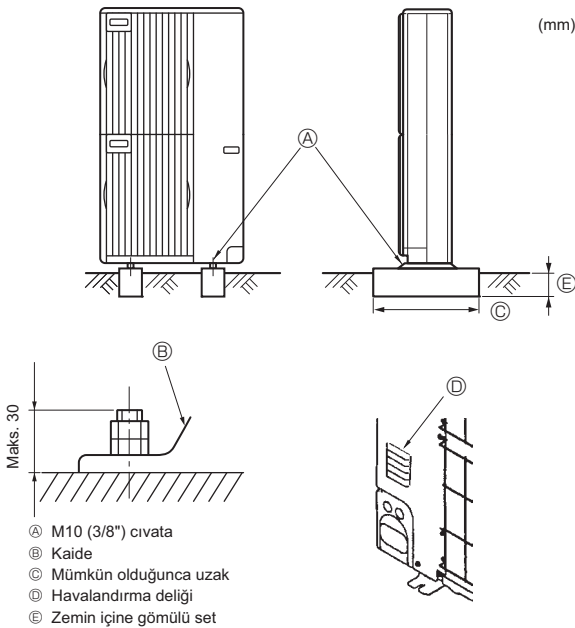


Fig. 3-1

- Ünitenin çalışması sırasında gürültü yapmaması için üniteyi mutlaka sağlam ve düz bir yüzeye monte edin. (Fig. 3-1)

<Temel spesifikasyonları>

Temel civatası	M10 (3/8")
Beton kalınlığı	120 mm
Civatanın uzunluğu	70 mm
Ağırlık çekme kapasitesi	320 kg

- Temel civatasının uzunluğunun kaidenin alt yüzeyine kadar 30 mm'den az olmasını sağlayın.
- Ünitenin kaidesini dört adet M10 civatasıyla sağlam yerlere tespit edin.

Dış ünitenin monte edilmesi

- Havalandırma deliğini tıkamayın. Havalandırma deliğinin tıkanması, çalışmayı aksatacak ve arızaya yol açacaktır.
- Gerekirse, cihazın tabanına ek olarak arkasında bulunan delikleri de kabloları tutturmak, vb. için kullanarak cihazı tespit edin. Kendinden dış açmalı vidalar ($\varnothing 5 \times 15$ mm veya daha az) kullanarak seçilen yere monte edin.

⚠ Uyarı:

- Cihaz, ağırlığını taşıyabilecek bir yapı üzerine emniyetli şekilde monte edilmelidir. Cihaz dengesiz bir yapı üzerine monte edildiği takdirde, düşebilir ve hasara veya yaralanmalara yol açabilir.
- Deprem, fırtına veya şiddetli rüzgardan zarar görme riskini en aza indirmek için, cihaz talimatlara uygun olarak monte edilmelidir. Yanlış monte edilmiş bir cihaz düşebilir ve hasara veya yaralanmalara yol açabilir.

4. Soğutucu borularının monte edilmesi

4.1. R410A soğutucu kullanan cihazlarda alınacak önlemler

- R410A soğutucu klima cihazlarını kullanırken alınacak önlemlerden aşağıda belirtilmemiş olanlar için 1.5. ya başvurun.
 - Geçmeli bölümlere uygulanacak soğutucu yağı olarak ester yağı, eter yağı, alkilbenzen yağı (az miktarda) kullanın.
 - Soğutucu borularını bağlarken, bakır ve bakır alaşımli kaynaksız borular için C1220 bakır fosfor kullanın. Aşağıdaki tabloda belirtilmiş kalınlıkta soğutucu boruları kullanın. Boruların iç yüzeylerinin temiz ve kükürtlü bileşikler, oksidanlar, moloz veya toz gibi zararlı maddelerden arınmış olduğundan emin olun.
- Boruları lehimlerken daima oksitlenmeyen lehim kullanın, aksi takdirde, kompresör zarar görür.

⚠ Uyarı:

Klimanın montajını yaparken, yerini değiştirirken veya bakımını yaparken soğutucu hatlarını doldurmak için yalnızca belirtilen soğutucuyu (R410A) kullanın. Bu soğutucuyu diğer soğutucularla karıştırmayın ve hatlarda hava kalmamasını sağlayın.

Havanın soğutucuyla karışması, soğutucu hattında anormal bir basınç oluşmasına neden olabilir ve bu da patlamaya veya diğer tehlikelerin ortaya çıkmasına neden olabilir.

Sistem için belirtilenden farklı bir soğutucunun kullanılması mekanik arızaya, sistemin bozulmasına veya ünitenin arızalanmasına neden olabilir. Bu durum, en kötü ihtimalde ürün güvenliğinin sağlanması açısından bir engel ortaya çıkarabilir.

Boru ebadı (mm)	ø6,35	ø9,52	ø12,7	ø15,88	ø19,05	ø22,2	ø25,4	ø28,58
Kalınlık (mm)	0,8	0,8	0,8	1,0	1,0	1,0	1,0	1,0

- Yukarıda belirtilenlerden daha ince boru kullanmayın.

4.2. Boruların bağlanması

- Piyasada satılan bakır borular kullanıldığında, sıvı ve gaz borularını piyasada satılan yalıtım malzemeleriyle sarın (en az 100 °C sıcaklığa dayanıklı olmalı veya en az 12 mm kalınlığında olmalıdır).
- Drenaj borusunun bina içindeki aksami polietilen köpük yalıtım malzemeleriyle sarılmalıdır (özgül ağırlığı 0,03 olmalı, kalınlığı en az 9 mm olmalıdır).
- Geçme somunu sıkmadan önce boru ve conta bağlantı yüzeylerine ince bir tabaka halinde soğutucu yağı uygulayınız. Ⓐ (Fig.4-1)
- Boru bağlantılarını iki somun anahtarıyla sıkınız. Ⓑ (Fig.4-1)
- Boru bağlantılarının yapılmasından sonra, bir kaçak dedektörü veya biraz sabunlu suyla gaz kaçağı olup olmadığını muayene ediniz.
- Bütün geçme yatağı yüzeyine soğutucu makine yağı sürün. Ⓒ (Fig.4-1)
- Aşağıdaki boru büyüklüklerine uygun geçme somun kullanın. Ⓓ (Fig.4-1)

		RP50	RP60,71	RP100-140
Gaz tarafı	Boru büyüklüğü (mm)	ø12,7	ø15,88	ø15,88
Sıvı tarafı	Boru büyüklüğü (mm)	ø6,35	ø9,52	ø9,52

- Boruları bükerken kırmamaya dikkat edin. 100 mm ila 150 mm arasındaki bükme çapları yeterlidir.
- Boruların kompresöre değmemesine özen gösterin. Aksi takdirde anormal gürültü veya titreşim meydana gelebilir.

① Borular iç üniteden başlayarak döşenmelidir.

Geçme somunlar tork anahtarı ile sıkılmalıdır.

② Sıvı borularını ve gaz borularını geçirin ve ince bir tabaka halinde soğutma yağı sürün (Yerinde uygulanır).

• Normal boru contası kullanıldığında, R410A soğutma borularının geçme işlemleri için Tablo 1'e başvurun.

B ölçülerini doğrulamak için ebat ayarlama geçici kullanılabilir.

Tablo 1 (Fig. 4-2)

Bakır boru O.D. (mm)	B (mm)	
	R410A için geçme aleti	R22-R407C için geçme aleti
	Kavrama tipi	
ø6,35 (1/4")	0 - 0,5	1,0 - 1,5
ø9,52 (3/8")	0 - 0,5	1,0 - 1,5
ø12,7 (1/2")	0 - 0,5	1,0 - 1,5
ø15,88 (5/8")	0 - 0,5	1,0 - 1,5
ø19,05 (3/4")	0 - 0,5	1,0 - 1,5

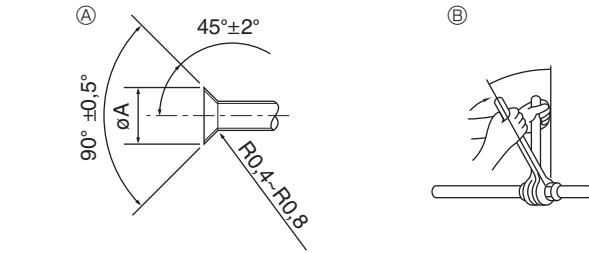
③ Gaz boruları bağlantısı için aşağıdaki yöntemi kullanın. (Fig. 4-3)

1 Birlikte verilen Bağlantı borusunu Ⓔ, yakınınızdaki bir yerden satın alabileceğiniz lehim malzemelerini ve oksijen içermeyen iç boruyu Ⓒ kullanarak dış üniteye lehimleyin.

2 Bağlantı borusunu Ⓔ gaz tarafındaki Kapama vanasına takın. Geçme somunları, iki somun anahtarı kullanarak sıkın.

• PEA-RP200, 250, 400, 500GA için Boru bağlama yöntemi, lehimli bağlantıdır.

		PEA-200	PEA-250	PEA-400	PEA-500
Gaz tarafı	Boru büyüklüğü (mm)	ø25,4 (veya ø28,58)			
Sıvı tarafı	Boru büyüklüğü (mm)	ø9,52	ø12,7	ø9,52	ø12,7



- Ⓐ Geçme kesim ölçüleri
- Ⓑ Geçme somun sıkıştırma torqu

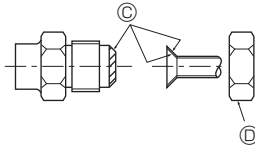


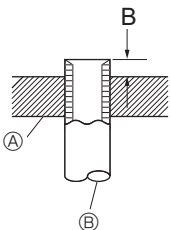
Fig. 4-1

Ⓐ (Fig. 4-1)

Bakır boru O.D. (mm)	Geçme boyutları øA boyutları (mm)
ø6,35	8,7 - 9,1
ø9,52	12,8 - 13,2
ø12,7	16,2 - 16,6
ø15,88	19,3 - 19,7
ø19,05	23,6 - 24,0

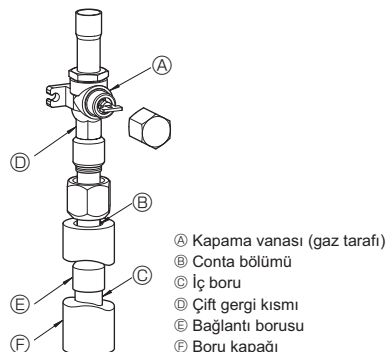
Ⓑ (Fig. 4-1)

Bakır boru O.D. (mm)	Geçme somun O.D. (mm)	Sıkıştırma torqu (N·m)
ø6,35	17	14 - 18
ø6,35	22	34 - 42
ø9,52	22	34 - 42
ø12,7	26	49 - 61
ø12,7	29	68 - 82
ø15,88	29	68 - 82
ø15,88	36	100 - 120
ø19,05	36	100 - 120



- Ⓐ Lokma
- Ⓑ Bakır boru

Fig. 4-2



- Ⓐ Kapama vanası (gaz tarafı)
- Ⓑ Conta bölümü
- Ⓒ İç boru
- Ⓓ Çift gergi kısmı
- Ⓔ Bağlantı borusu
- Ⓕ Boru kapağı

Fig. 4-3

4. Soğutucu borularının monte edilmesi

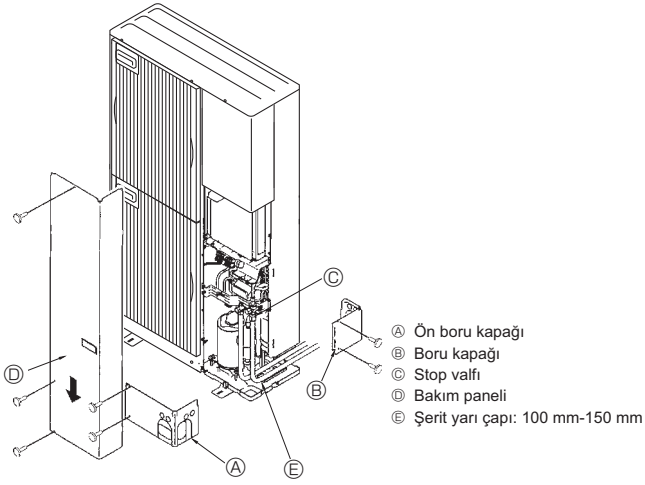
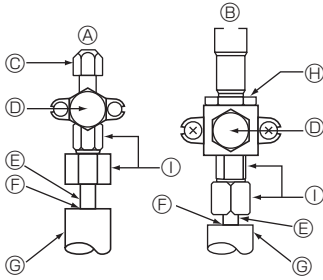


Fig. 4-4



- Ⓐ Kapama vanası <Sıvı tarafı>
 Ⓑ Kapama vanası < Gaz tarafı>
 Ⓒ Servis ağız
 Ⓓ Açma / Kapama bölümü
 Ⓔ İç boru
 Ⓕ Sızdırmazlık kısmı
 (Isı izolasyon malzemesinin ucunun sızdırmazlığını elinizde olan herhangi bir sızdırmazlık malzemesi ile boru bağlantısı kısmında sağlayın ki ısı izolasyon malzemesine su girmesin.)
- Ⓖ Boru kaplaması
 Ⓗ Burada somun anahtarı kullanmayın. Soğutucu kaçağı meydana gelebilir.
 Ⓘ Çift gergi kısmı
 (Bu kısma bundan başka bir gergi uygulamayın. Çünkü uygulanması halinde soğutucu kaçaqlarına neden olur.)

Fig. 4-5

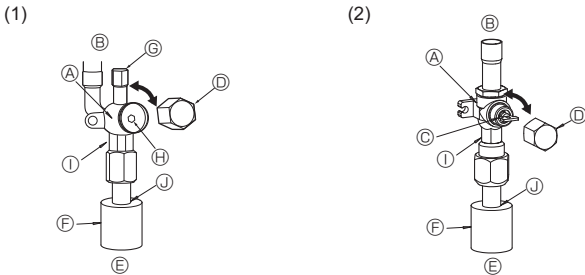


Fig. 4-6

- Ⓐ Vana
 Ⓑ Ünite tarafı
 Ⓒ İşletim kısmı
 Ⓓ Kapak
 Ⓔ İç boru tarafı
 Ⓕ Boru kapağı
 Ⓖ Servis ağız
 Ⓗ Anahtar boşluğu
- Ⓘ Çift gergi kısmı
 (Bu kısma bundan başka bir gergi uygulamayın. Çünkü uygulanması halinde soğutucu kaçaqlarına neden olur.)
 Ⓙ Sızdırmazlık kısmı
 (Isı izolasyon malzemesinin ucunun sızdırmazlığını elinizde olan herhangi bir sızdırmazlık malzemesi ile boru bağlantısı kısmında sağlayın ki ısı izolasyon malzemesine su girmesin.)

Fig. 4-7

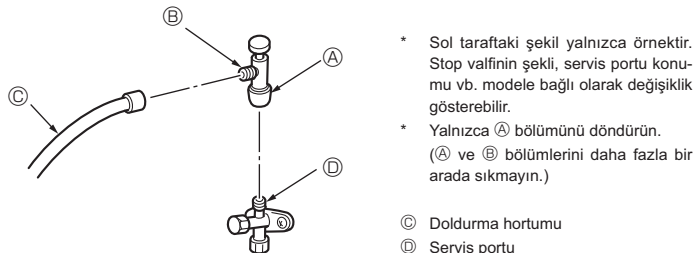


Fig. 4-8

- * Sol taraftaki şekil yalnızca örnektir. Stop valfinin şekli, servis portu konumu vb. modele bağlı olarak değişiklik gösterebilir.
 * Yalnızca Ⓐ bölümünü döndürün. (A ve B bölümlerini daha fazla bir arada sıkmayın.)
- Ⓒ Doldurma hortumu
 Ⓓ Servis portu

4.3. Soğutucu boruları (Fig. 4-4)

Bakım panelini Ⓓ (3 vida) ve ön boru kapağını Ⓐ (2 vida) ve arka boru kapağını Ⓑ (2 vida) çıkarın.

- 1) Dış ünitenin stop valfi tamamen kapandığında iç/dış ünite için soğutucu borusu bağlantılarını yapın.
- 2) İç ünite ve bağlantı borusundaki havayı vakumla boşaltın.
- 3) Soğutucu borularını bağladıktan sonra, döşenmiş boruları ve iç üniteyi gaz kaçağına karşı kontrol edin. (4.4. Soğutucu borusu hava sızdırmazlığı test yöntemi bakın.)
- 4) -101 kPa (5 Torr) ulaştıktan sonra yeterli 1 süre boyunca (en az bir saat) vakum oluşturarak boruların içini vakumla kurutmak için stop valfi servis portunda yüksekperformanslı bir vakum pompası kullanılmıştır. Her zaman geç manifoldunda vakum derecesini kontrol edin. Eğer boruda herhangi bir nem kaldıysa, kısa süreli vakum uygulanmasıyla vakum derecesine bazen ulaşamaz. Vakumla kurutmadan sonra, dış ünite için stop valfini (hem sıvı hem de gaz) tamamen açınız. Bu, iç ve dış soğutma devrelerini tamamen birbirine bağlar.
 - Eğer vakumla kurutma yetersiz ise, soğutma devrelerinde kalan hava ve su buharı yüksek basıncın anormal yükselmesine, düşük basıncın anormal düşmesine, nemden dolayı dondurucu yağının bozulmasına vs. neden olabilir.
 - Kesme vanaları kapalı bırakılır ve cihaz çalıştırılırsa, kompresör ve çek valf zarar görür.
 - Dış ünitenin boru bağlantı yerlerinde kaçağın detektörü veya sabunlu su kullanılarak gaz kaçağı kontrolü yapın.
 - Soğutucu hatlarındaki havayı boşaltmak için cihazdan gelen soğutucuyu kullanmayın.
 - Vana işlemi tamamlandıktan sonra, vana kapaklarını sıkarak torku düzeltin: 20 ila 25 N·m (200 ila 250 kgf·cm) arası. Kapakların yerine konmaması veya sıkıştırılmaması durumunda soğutucu kaçağı meydana gelebilir. Ayrıca, soğutucu kaçağına karşı conta görevi gördüklerinden, vana kapaklarının iç taraflarına zarar vermeye dikkat edin.
- 5) Isı izolasyonuna su girmesini önlemek için, boru bağlantı yerlerinin etrafındaki ısı izolasyonunun uçlarını dolgu macunu ile sızdırmaz hale getirin.

4.4. Soğutucu borusu hava sızdırmazlığı test yöntemi (Fig. 4-4)

- 1) Test araçlarını bağlayın.
 - Ⓐ Ⓑ kapama vanalarının kapalı olduğundan emin olun ve açmayın.
 - Sıvı kapama vanasının Ⓐ servis noktasından Ⓒ soğutucu hatlarına basınç ekleyin.
- 2) Belirtilen değerlerde basıncı birden eklemeyin, azar azar verin.
 - 1) 0,5 Mpa'a (5 kgf/cm²G) kadar basınç verin, 5 dakika bekleyin ve basıncın düşmediğinden emin olun.
 - 2) 1,5 Mpa'a (15 kgf/cm²G) kadar basınç verin, 5 dakika bekleyin ve basıncın düşmediğinden emin olun.
 - 3) 4,15 Mpa'a (41,5 kgf/cm²G) kadar basınç verin ve çevre sıcaklığını ve soğutucu basıncını ölçün.
- 3) Belirtilen değerdeki basınç bir gün süreyle sabit kalır ve düşmezse, borular testi geçmiş ve kaçağın yok demektir.
 - Çevre sıcaklığı 1 °C değişirse, basınç yaklaşık 0,03 MPa (0,3 kgf/cm²G) değişir. Gerekli düzeltmeleri yapın.
- 4) Basınç (2) ve (3) adımda düşerse, gaz kaçağı var demektir. Gaz kaçağının kaynağını araştırın.

4.5. Kapama vanasını açma yöntemi

Stop valfi açma metodu dış ünite modeline göre değişir. Stop valfini açmak için uygun olan metodu kullanın.

- 1) Kapama vanasının sıvı tarafı (Fig. 4-6)
 - 1) Başlığı çıkarın ve 4 mm'lik bir altgen somun anahtarıyla vana çubuğunu gidebileceği yere kadar saat yönünün tersine döndürün. Tampona dayanınca döndürmeye son verin. (Yaklaşık 10 devir)
 - 2) Stop valfinin tamamen açık olduğundan emin olun ve başlığı çevirerek tekrar ilk konumuna getirin.
- 2) Kapama vanasının gaz tarafı (Fig. 4-7)
 - 1) Başlığı çıkarın, kolu kendinize doğru çekin ve açmak için saat yönü tersinde 1/4 tur döndürün.
 - 2) Kapama vanasının tamamen açıldığından emin olun, kolu itin ve başlığı çevirerek ilk konumuna getirin.

Soğutucu boruları koruma amaçlı olarak sarılır

- Borular, bağlanmadan önce veya bağlandıktan sonra koruma amacıyla 90°'lik bir çapa ulaşacak şekilde sarılabilirler. Boru kaplamasındaki parçayı yarıktan itibaren kesip atın ve boruları sarın.

Boru giriş boşluğu

- Boru girişindeki boruların etrafını macunla veya sızdırmaz madde ile hiç boşluk kalmayacak şekilde kapatın. (Boşluklar kapatılmadığı takdirde, gürültü yayılır veya cihaza toz veya su girerek bozulmasına neden olabilir.)

Doldurma valfi kullanılırken alınması gereken önlemler (Fig. 4-8)

Servis portunu takarken çok fazla sıkmayın aksi takdirde, valf gövdesi deforme olabilir, gevşeyebilir ve gaz sızıntısına neden olur.

- Ⓑ bölümünü belirtilen yönde konumlandırdıktan sonra yalnızca Ⓐ bölümünü döndürün ve sıkın.
- Ⓐ bölümünü sıkıktan sonra Ⓐ ve Ⓑ bölümünü bir arada daha fazla sıkmayın.

⚠ Uyarı:

Ünitenin montajını yaparken, kompresörü çalıştırmadan önce soğutucu borularını sağlam şekilde bağlayın.

4. Soğutucu borularının monte edilmesi

4.6. Soğutucu madde eklenmesi

- Boru uzunluğu 30 m'yi aşmıyorsa ilave doldurma yapmak gerekmez.
- Boru uzunluğu aşırsa, aşağıdaki tabloda yer alan izin verilen boru uzunluklarına göre ilave R410A soğutucu ekleyin.
- Cihaz çalışmazken, boru uzatmaları ve iç ünite vakumlandıktan sonra, sıvı kesme vanasından cihaza soğutucu ilavesi yapın.
- Cihaz çalışırken, güvenli dolun cihazı kullanarak gaz çek valfine soğutucu ekleyin. Sıvı soğutucuyu doğrudan çek valfe eklemeyin.

- Cihaza soğutucu ekledikten sonra, eklenen soğutucu miktarını servis etiketine (cihaza tutturulmuş olan) yazın.
- Daha fazla bilgi için, "1.5. R410A soğutuculu klima cihazlarının kullanımı" na bakın.
- Birden fazla üniteyi monte ederken dikkatli olun. Hatalı bir iç ünitenin bağlanması anormal derecede yüksek basınçların oluşmasına yol açarak çalışma performansı üzerinde ciddi etkiler yaratabilir.

Model	İzin verilen boru uzunluğu	İzin verilen dikey fark	İlave soğutucu dolun miktarı			
			31 - 40 m	41 - 50 m	51 - 60 m	61 - 70 m
P200	70 m	30 m	0,9 kg	1,8 kg	2,7 kg	3,6 kg
P250			1,2 kg	2,4 kg	3,6 kg	4,8 kg

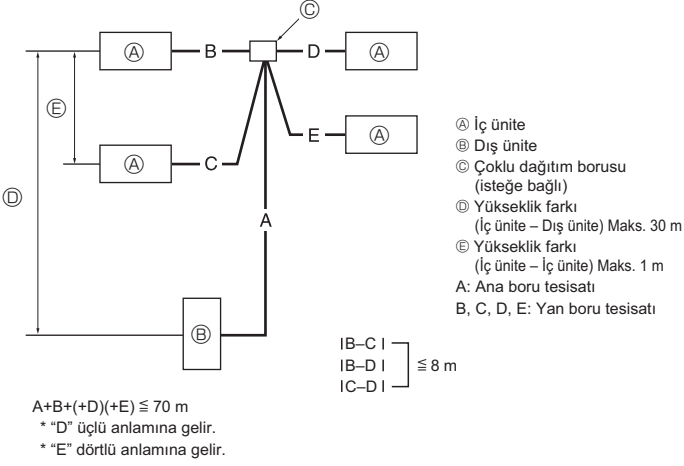


Fig. 4-9

4.7. Çiftli/üçlü/dörtlü kombinasyon için (Fig. 4-9)

- Bu SERBEST KOMPOZİSYONLU ÇOKLU ünite olarak kullanıldığında, soğutma boru tesisatını soldaki çizimde belirtilmiş olan kısıtlamaları dikkate alarak monte edin. Ayrıca, eğer kısıtlamalar aşılabarsa veya iç ve dış ünitelerin kombinasyonları olarsa, montaj hakkında ayrıntılı bilgi için iç ünitenin montaj talimatlarına başvurun.

Dış ünite	İzin verilen toplam boru uzunluğu A+B+C+D+E	Dolusuz boru uzunluğu A+B+C+D+E
P200 P250	70 m ve aşağısı	30 m ve aşağısı
Dış ünite	B-C veya B-D veya B-E veya C-D veya C-E veya D-E	Kıvrım sayısı
P200 P250	8 m ve aşağısı	En fazla 15

5. Drenaj Tesisatı İşleri

Dış ünite drenaj borusu bağlantısı

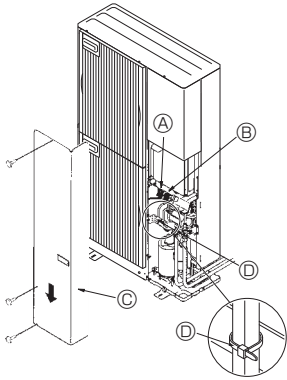
Drenaj borusu gerekli olduğu zaman, drenaj soketini veya drenaj çanağını (isteğe bağlı aksam) kullanın.

Drenaj soketi	PAC-SG61DS-E
Drenaj çanağı	PAC-SG64DP-E

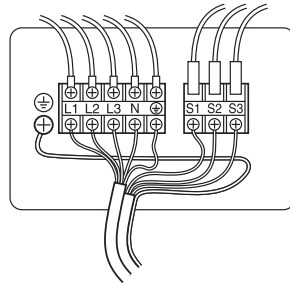
6. Elektrik İşleri

6.1. Dış ünite (Fig. 6-1, Fig. 6-2)

- Servis panelini sökün.
- Şekil 6-1 ve Şekil 6-2'ye bakarak kabloları bağlayın.



Not: Elektrik kutusunun koruyucu kılıfı servis sırasında çıkarılmışsa, geri takıldığından emin olun.



- ① Güç kaynağı terminal bloğu (L1, L2, L3, N, ⊕)
- ② İç/dış bağlantı terminal bloğu (S1, S2, S3)
- ③ Servis paneli
- ④ Kelepçe
- * Kabloları servis panosunun ortasına ya da gaz valfine temas etmeyecek şekilde kelepçeye bağlayın.

⚠ Dikkat:
N Hattını bağladığınızdan emin olun. N Hattı olmazsa, üniteye hasara yol açar.

* PEA-RP200, 250, 400, 500GA hariç

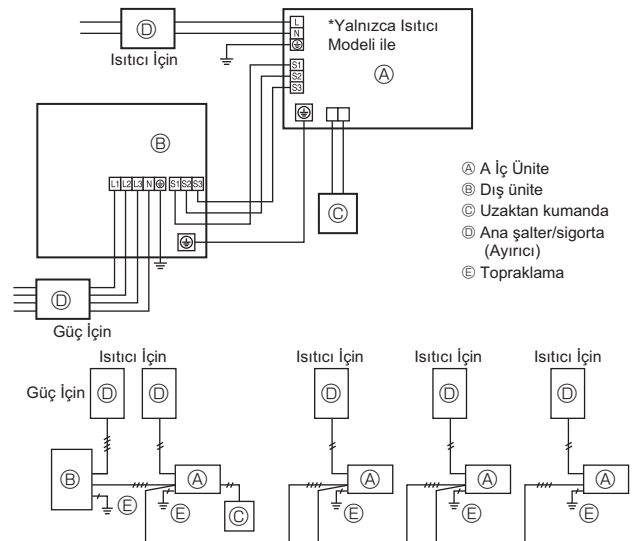
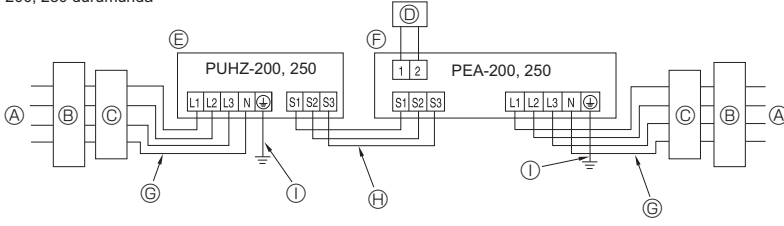


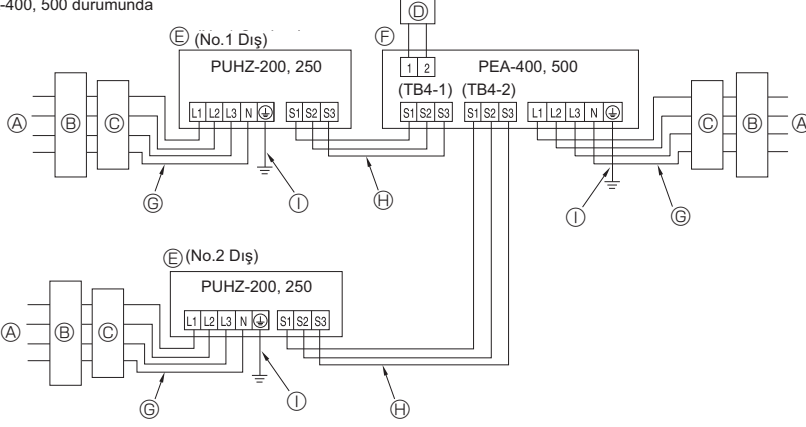
Fig. 6-1

6. Elektrik işleri

* PEA-200, 250 durumunda

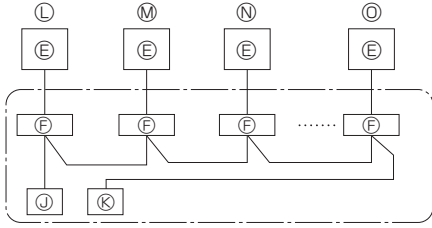


* PEA-400, 500 durumunda



- Ⓐ Güç kaynağı
- Ⓑ Toprak sızıntısı kesici
- Ⓒ Şalter ya da yerel anahtar
- Ⓓ LCD uzaktan kumanda
- Ⓔ Dış ünite
- Ⓕ İç ünite
- Ⓖ Elektrik kablosu bağlantıları
- Ⓗ İç/Dış bağlantı kabloları
- Ⓘ Topraklama
- Ⓛ Ana uzaktan kumanda
- Ⓜ Tali uzaktan kumanda
- Ⓝ Standart (Soğutucu adresi = 00)
- Ⓞ Soğutucu adresi = 01
- Ⓟ Soğutucu adresi = 02
- Ⓠ Soğutucu adresi = 03
- Ⓡ Soğutucu adresi = 14
- Ⓢ Soğutucu adresi = 15

* PEA-200, 250 durumunda



* PEA-400, 500 durumunda

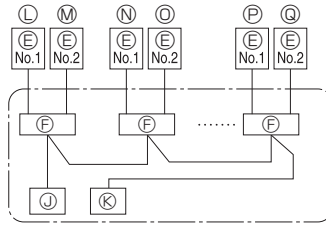


Fig. 6-2

6.2. Alan elektrik kablo bağlantıları

Dış ünite modeli	P200, 250	
Dış ünite Güç kaynağı	Faz Frekans ve Voltaj	3N~(3 fazlı 4-telli), 50 Hz, 400 V
Dış ünite giriş kapasitesi Ana şalter (Ayrırıcı)	*1	32 A
Kablo bağlantıları Kablosu No. x Çap(mm ²)	Dış ünite güç kaynağı	5 x Min. 4
	İç ünite-Dış ünite	*2 Kablo uzunluğu 50 m : 3 x 4 (Kutup)/Kablo uzunluğu 80 m : 3 x 6 (Kutup)
	İç ünite-Dış ünite topraklaması	1 x Min. 2,5
	Uzaktan kumanda ünitesi/İç ünite Bağlantı	*3 2 x 0,3 (Kutupsuz)
Devrenin rejim değeri	Dış ünite L1-N, L2-N, L3-N	*4 AC 230 V
	İç ünite-Dış ünite S1-S2	*4 AC 230 V
	İç ünite-Dış ünite S2-S3	*4 DC 24 V
	Uzaktan kumanda ünitesi/İç ünite Bağlantı	*4 DC 12 V

*1. Her kutuptan en az 3 mm temas aralığı bırakarak, topraklama devre kesicisi (NV) kullanın.

*2. Azami 80 m Toplam azami uzunluk, tüm iç / iç bağlantılar da dahil, 80 m.

• Şekilde gösterildiği gibi S1 ve S2 için bir kablo, S3 için ise başka bir kablo kullanın.

• Maks. 50 m PEA için Toplam Maks. Kablo boyutu 3 x 1,5 (Polar).

*3. Uzaktan kumanda aksesuarına 10 m uzunluğunda kablo bağlanmıştır.

*4. Voltaj toprağa karşı DEĞİLDİR.

S3 bağlantısı, S2 bağlantısının yanında DC 24 V gerilim kullanır. S3 ve S1 arasındaki bu bağlantılar, transformatör veya başka bir cihaz tarafından elektriksel olarak yalıtılmamıştır.



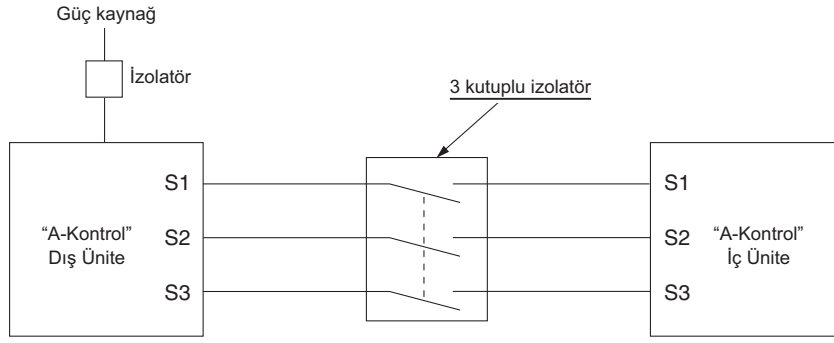
Notlar: 1. Kablo boyutu, ilgili yerel ve ulusal yönetmeliğe uygun olmalıdır.

2. Elektrik besleme ve İç ünite/Dış ünite bağlantı kabloları polikloropren kılıflı esnek kablodan hafif olmalıdır (60245 IEC 57 tasarımı).

3. Diğer kablolardan daha uzun bir topraklama kablosu kullanın. Bu sayede gerilim uygulandığında bağlantı kesilmeyecektir.

Güç kablosunu ya da iç-dış bağlantı kablosunu asla birbirine bağlamayın, aksi takdirde duman, yangın ya da iletişim hatasına neden olabilir.

6. Elektrik işleri



⚠ Uyarı:

A-kumanda kablosu için güç hattı ile iletişim sinyali arasında elektrik yalıtımı yapılmamış olan elektrik devresi dizaynından kaynaklanan S3 terminalinde yüksek gerilim riski bulunmaktadır. Dolayısıyla servis yaparken ana güç beslemeyi lütfen kapatın. Ve güç verildiğinde S1, S2, S3 terminallerine dokunmayın. İzolatorün iç ve dış üniteler arasında kullanılması halinde lütfen 3 kutuplu tipi kullanın.

220-240 V 50 Hz İÇİN KABLO TESİSAT DEĞERLERİ (İÇ-DİŞ BAĞLANTI KABLOSU)

Kablonun ara kesiti	Kablo ebadı (mm ²)	Kablo sayısı	Polarite	L (m)*6
Yuvarlak	2,5	3	Saat yönünde : S1-S2-S3 * Sarı-yeşil çizgilere dikkat edin	(30) *2
Düz	2,5	3	Uygulanabilir değil (Çünkü orta kabloda kaplama yok)	Uygulanabilir değil *5
Düz	1,5	4	Soldan sağa : S1-Açık-S2-S3	(18) *3
Yuvarlak	2,5	4	Saat yönünde : S1-S2-S3-Açık * S1 ve S3'ü ters açığa bağlayın	(30) *4

*1 : Cihazların elektrik kablosu kordonu tasarım 60245 IEC veya 227 IEC'den daha hafif olmayacaktır.

*2 : Sarı-yeşil çizgili kablo bulunabiliyorsa.

*3 : Normal polariteli bağlantı (S1-S2-S3) durumunda, kablo ebadı 1,5 mm² olmalıdır.

*4 : Normal polariteli bağlantı (S1-S2-S3) durumunda.

*5 : Bu resimdeki gibi düz kablolar bağlandığında, 30 m'ye kadar kullanılabilirler.

*6 : Belirtilen kablo uzunluğu yalnızca referans değeridir.

Montaj şartları, nemlilik veya malzeme, vb.'ye bağlı olarak farklı olabilir.



İç-dış ünite bağlantı kablolarını doğrudan ünitelere bağladığınızdan emin olun (ara bağlantı yoktur).

Ara bağlantılar, kabloları su girip topraklama yalıtımında yetersizliğe veya ara bağlantı noktasında temassızlığa neden olması halinde haberleşme hatalarına yol açabilir.

7. Çalışma testi

7.1. İşletme testinden önce

- İç ve dış ünitenin montajının ve kablo ve boru bağlantılarının tamamlanmasından sonra, soğutucu kaçağı, elektrik ve kontrol kablolarında gevşeme, hatalı polarite ve fazlardan birinde kopma olup olmadığına bakınız.
- 500-Voltluk bir megommetreyle besleme kaynağı terminalleriyle toprak arasında en az 1,0 MΩ direnç bulunduğunu kontrol ediniz.
- Bu testi kontrol kablosu (düşük gerilim devresi) terminallerinde yapmayınız.

⚠ Uyarı:

İzolasyon direnci 1,0 MΩ'dan azsa klimayı kullanmayınız.

İzolasyon direnci

Montajdan veya cihaza giden elektrik kesildikten uzun süre sonra, kompresörde soğutucu birikmesi nedeniyle izolasyon direnci 1 MΩ un altına düşecektir. Bu arıza anlamına gelmez. Aşağıdaki prosedürleri izleyin.

- Kabloları kompresörden çıkarın ve kompresörün izolasyon direncini ölçün.
- İzolasyon direnci 1 MΩ un altında ise, kompresörde arıza vardır veya direnç kompresörde soğutucu birikmesi nedeniyle düşmüştür.
- Kabloları kompresöre bağladıktan sonra, elektriğin verilmesinin ardından kompresör ısınmaya başlayacaktır. Aşağıda verilmiş olan sürelerde elektrik verdikten sonra izolasyon direncini tekrar ölçün.
 - İzolasyon direnci, kompresörde soğutucu birikmesi nedeniyle düşmüştür. Kompresör 4 saat süreyle ısındıktan sonra direnç 1 MΩ un üstüne çıkacaktır.

(Kompresörün ısınması için gereken süre atmosferik koşullara veya soğutucu birikmesine göre değişir.)

- Kompresörü içinde soğutucu birikmiş vaziyette çalıştırmak için, herhangi bir arıza meydana gelmesini önlemek amacıyla kompresörün en az 12 saat süreyle ısınması sağlanmalıdır.
- İzolasyon direnci 1 MΩ un üstüne çıkarsa, kompresör arızalı değil demektir.

⚠ Dikkat:

- Güç kaynağının faz bağlantısı doğru değilse kompresör çalışmaz.
- Cihazı çalıştırmadan en az 12 saat önce ana elektrik şalterini açınız.
- Ana elektrik şalterini açtıktan hemen sonra cihazı çalıştırmak iç parçaların ciddi hasar görmesine yol açabilir. Cihazın çalıştırılacağı mevsimde ana elektrik şalterini açık bırakınız.

► Aşağıdaki kontrollerin de yapılması gerekir.

- Dış ünite arızalı değil. Dış ünite arıza olduğunda, dış ünitenin kontrol panosu üzerinde bulunan LED1 ve LED2 yanıp söner.
- Hem gaz hem de sıvı kesme vanaları tamamen açık.
- Dış ünitenin kontrol panosu üzerindeki DIP düğme panelinin yüzeyi koruyucu bir örtü ile kaplıdır. DIP düğmeleriyle kolayca oynamak için koruyucu örtüyü kaldırın.

7.2. Çalışma testi

7.2.1. Dış ünite SW4 kullanarak

SW4-1	ON (AÇIK)	Soğutma operasyonu
SW4-2	OFF (KAPALI)	
SW4-1	ON (AÇIK)	Isıtma operasyonu
SW4-2	ON (AÇIK)	

* Test çalıştırması yapıldıktan sonra, SW4-1 OFF (KAPALI)'a ayarlanmalıdır.

- Elektrik verildikten sonra, dış ünitenin içinden küçük bir tik-tak sesi gelebilir. Elektronik genleşme vanası açılıp kapanmaktadır. Ünite arızalı değildir.

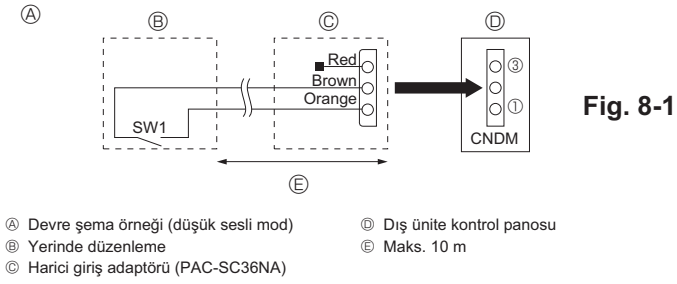
- Kompresör çalışmaya başladıktan birkaç saniye sonra, dış ünitenin içinden bir gürültü gelebilir. Gürültü, borulardaki küçük basınç farklılıklarından dolayı çek valften gelmektedir. Ünite arızalı değildir.

Çalışma testi sırasında, çalışma testi modu DIP SW4-2 düğmesiyle değiştirilemez. İşletim testi modunu çalışma testi sırasında değiştirmek için, DIP SW4-1 düğmesiyle çalışma testini durdurun. Çalışma testi modunu değiştirdikten sonra SW4-1 düğmesiyle çalışma testine devam edin.)

7.2.2. Uzaktan kumandayı kullanma

İç ünite montaj kılavuzuna bakın.

8. Özel fonksiyonlar



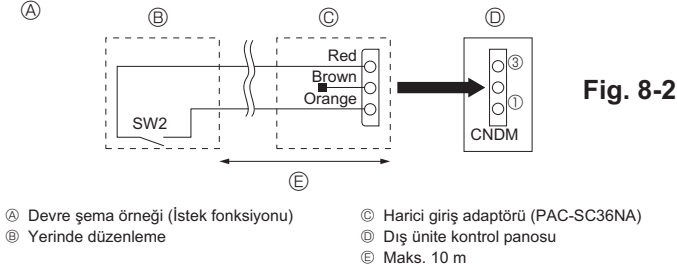
8.1. Düşük sesli mod (yerinde değişiklik) (Fig. 8-1)

Aşağıdaki modifikasyonu gerçekleştirerek, dış ünitenin çalışma gürültüsü yaklaşık 3-4 dB düşürülebilir.

Dış ünitenin kontrol panosu üzerindeki CNDM konektörüne (isteğe bağlı) piyasada bulunan bir zamanlayıcı veya AÇMA/KAPAMA düğmesinin kontakt girişi eklendiği takdirde, düşük sesli mod devreye girecektir.

• Bu işlem dışarıdaki sıcaklık ve şartlara, vb. bağlı olarak değişir.

- ① Harici giriş adaptörü (PAC-SC36NA) kullanırken, devreyi gösterildiği şekilde tamamlayın. (İsteğe bağlı)
- ② SW1 ON konumunda iken: Düşük sesli mod
SW1 OFF konumunda iken: Normal çalışma



8.2. İstek fonksiyonu (yerinde değişiklik) (Fig. 8-2)

Aşağıdaki değişiklik yapılarak, enerji tüketimi normal tüketimin % 0 - %100 arasına düşürülebilir.

Dış ünitenin kontrol panosu üzerindeki CNDM konektörüne (isteğe bağlı) piyasada bulunan bir zamanlayıcı veya ON (AÇMA) / OFF (KAPAMA) düğmesinin kontakt girişi eklendiği takdirde, istek fonksiyonu devreye girecektir.

- ① Harici giriş adaptörü (PAC-SC36NA) kullanırken, devreyi gösterildiği şekilde tamamlayın. (İsteğe bağlı)
- ② Dış ünitenin kontrol panosu üzerindeki SW7-1 ve SW7-2'yi ayarlayarak, enerji tüketimi (normal tüketim ile kıyaslanınca) aşağıda gösterildiği gibi sınırlandırılabilir.

SW7-1	SW7-2	Enerji tüketimi (SW2 ON)
OFF	OFF	0% (Durma)
ON	OFF	50%
OFF	ON	75%

8.3. Soğutucu çekme işlemi (pompalama)

İç üniteyi veya dış üniteyi taşıırken soğutucuyu çekmek için aşağıdaki prosedürleri uygulayın.

- ① Elektrik verin (devre kesici).
 - * Elektrik verildiğinde uzaktan kumandanın ekranında "CENTRALLY CONTROLLED" yazmadığından emin olun. "CENTRALLY CONTROLLED" yazıyorsa, soğutucu çekme işlemi (pompalama) normal şekilde gerçekleştirilemez.
 - * Güç (devre kesici) ON (Açık) konuma getirildikten sonra iç ve dış ünite iletişiminin başlaması yaklaşık 3 dakika sürer. Güç (devre kesici) ON (Açık) konuma getirildikten 3 - 4 dakika sonra aşağı pompalama işlemini başlatın.
- ② Sıvı vanası kapatıldıktan sonra, dış ünitenin kontrol panosu üzerindeki SWP düğmesini ON konumuna getirin. Kompresör (dış ünite) ve vantilatörler (iç ve dış üniteler) çalışmaya başlar ve soğutucu çekme işlemine başlanır. Dış ünitenin kontrol panosu üzerinde bulunan LED1 ve LED2 yanar.
 - * Ünite durursa, yalnızca SWP düğmesini (basmalı tip olan) ON konumuna getirin. Ancak, ünite durursa ve SWP düğmesi kompresör durduktan sonra 3 dakikadan az bir sürede ON konumuna getirilirse, soğutucu çekme işlemi yapılamaz. Kompresörün 3 dakika durmasını bekleyin ve SWP düğmesini tekrar ON konumuna getirin.

- ③ Soğutucu toplama işlemi tamamlandıktan sonra (LED1 kapalı, LED2 açık) ünite 2, 3 dakika içinde otomatik olarak kapandığından gaz durdurma vanasını vakit kaybetmeden kapattığınızdan emin olun. Eğer, dış ünite durduğu halde LED1 yanıyor ve LED2 kapalıysa soğutucu toplama işlevi düzgün şekilde gerçekleştirilememiş demektir. Sıvı durdurma vanasını tamamen açın ve 3 dakika bekledikten sonra ② adımı tekrarlayın.

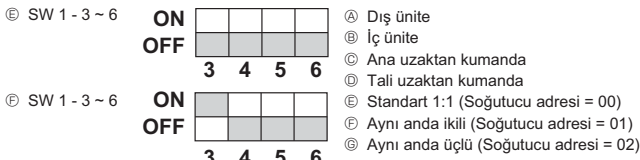
- * Soğutucu çekme işlemi normal şekilde tamamlandığı takdirde (LED1 ve LED2 yanar), ünite elektrik kesilene dek çalışmayacaktır.

- ④ Elektrik kesin (devre kesici).
 - * Uzatma borusu uzun ve soğutucu miktarı fazlaysa aşağı pompalama işlemi yapmak mümkün olmayabilir. Aşağı pompalama işlemini gerçekleştirirken, düşük basıncın yaklaşık 0 MPa'ya (gösterge) düşürüldüğünden emin olun.

⚠ Uyarı:

Soğutucu pompalaması yaparken, soğutucu borularının bağlantısını kesmeden önce kompresörü durdurun. Kompresöre hava vb. girerse kompresör patlayabilir.

9. Sistem kontrolü (Fig. 9-1)



* Dış ünitenin DIP şalteri ile soğutucu adresini ayarlayın.

- ① Uzaktan Kumandadan Gelen Kablo

Bu kablo, iç ünitenin (polarlanmamış) TB5'ine (uzaktan kumanda için terminal levhası) bağlanır.

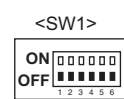
- ② Farklı Soğutucu Sistemi Grubu Kullanıldığında ince.

MA uzaktan kumandası ile en fazla 16 soğutucu sistemi tek bir grup olarak kontrol edilebilir.

Not:

Tek soğutuculu sistemlerde (çift/üçlü) kablo bağlantısına ② gerek yoktur.

SW1
Fonksiyon
tablosu



SW1 Fonksiyon ayarlar	Fonksiyon	Anahtar ayarına göre çalıştırma	
		ON	OFF
1	Zorunlu eritme	Başlat	Normal
2	Geçmiş hataları temizleme	Temizle	Normal
3	Soğutucu sistemi adres ayarları	0 ile 15 arası dış ünite adres ayarları	
4			
5			
6			

Fig. 9-1

Содержание

1. Меры предосторожности	101	6. Электрические работы	106
2. Место установки	102	7. Выполнение испытания	108
3. Установка наружного прибора	103	8. Специальные функции	109
4. Прокладка труб хладагента	104	9. Управление системой (Fig. 9-1)	109
5. Дренажные трубы	106		

1. Меры предосторожности

- ▶ До установки прибора убедитесь, что Вы прочли все “Меры предосторожности”.
- ▶ Пожалуйста, проконсультируйтесь с органами электроснабжения до подключения системы.
- ▶ “Данное оборудование соответствует требованиям IEC 61000-3-12 при условии, что мощность короткого замыкания S_{sc} превышает или равняется $S_{sc} (*1)$ в точке контакта источника питания пользователя с системой энергоснабжения. Лицо, устанавливающее или использующее оборудование, обязано убедиться, что оборудование подключено к источнику питания, мощность короткого замыкания S_{sc} которого превышает или равна $S_{sc} (*1)$, а в случае необходимости проконсультироваться с оператором распределительных сетей.”

$S_{sc} (*1)$

Модель	S_{sc} (MVA)
PUHZ-P200	1.35
PUHZ-P250	1.49

⚠ Предупреждение:

- Прибор не должен устанавливаться пользователем. Для выполнения установки прибора обратитесь к дилеру или сертифицированному техническому специалисту. Неправильная установка аппарата может повлечь за собой протечку воды, удар электрическим током или возникновение пожара.
- При установочных работах следуйте инструкциям в Руководстве по установке. Используйте инструменты и детали трубопроводов, специально предназначенные для использования с хладагентом марки R410A. Хладагент R410A в HFC-системе находится под давлением в 1,6 раза большим, чем давление, создаваемое при использовании обычных хладагентов. Если компоненты трубопроводов не предназначены для использования с хладагентом R410A, и аппарат установлен неправильно, трубы могут лопнуть и причинить повреждение или нанести травму. Кроме того, это может привести к утечке воды, поражению электрическим током или возникновению пожара.
- Прибор должен быть установлен согласно инструкциям, чтобы свести к минимуму риск повреждения от землетрясений, тайфунов или сильных порывов ветра. Неправильно установленный прибор может упасть и причинить повреждение или нанести травму.
- Прибор должен быть установлен на конструкции, способной выдержать его вес. Прибор, установленный на неустойчивой конструкции, может упасть и причинить повреждение или нанести травму.
- Если кондиционер установлен в небольшом помещении, необходимо принять меры для предотвращения концентрации хладагента свыше безопасных пределов в случае утечки хладагента. Проконсультируйтесь у дилера относительно соответствующих мер, предотвращающих превышение допустимой концентрации. В случае утечки хладагента и превышении допустимой его концентрации из-за нехватки кислорода в помещении может произойти несчастный случай.
- Если во время работы прибора произошла утечка хладагента, проветрите помещение. При контакте хладагента с пламенем образуются ядовитые газы.
- Все электроработы должны выполняться квалифицированным техническим специалистом в соответствии с местными правилами и инструкциями, приведенными в данном Руководстве. Приборы должны быть подключены к специально выделенным линиям электропитания с соответствующим напряжением через автоматические выключатели. Использование линий электропитания недостаточной мощности или неправильно проведенных линий может привести к поражению электрическим током или возникновению пожара.
- Для соединения медных или медносплавных бесшовных труб, предназначенных для хладагента, используйте медный фосфор C1220. Если

⚠ Предупреждение:

Описывает меры предосторожности, необходимые для предотвращения получения травмы или гибели пользователя.

⚠ Осторожно:

Описывает меры предосторожности, необходимые для предотвращения повреждения прибора.

После окончания установочных работ проинструктируйте пользователя относительно правил эксплуатации и обслуживания аппарата, а также ознакомьте с разделом “Меры предосторожности” в соответствии с информацией, приведенной в Руководстве по использованию аппарата, и выполните тестовый прогон аппарата для того, чтобы убедиться, что он работает нормально. Обязательно передайте пользователю на хранение экземпляры Руководства по установке и Руководства по эксплуатации. Эти Руководства должны быть переданы и последующим пользователям данного прибора.

⚡ : Указывает, что данная часть должна быть заземлена.

⚠ Предупреждение:

Внимательно прочтите текст на этикетках главного прибора.

трубы соединены неправильно, прибор не будет должным образом заземлен, что может привести к поражению электрическим током.

- Используйте для проводки указанные кабели. Убедитесь, что кабели надежно соединены, а оконечные соединения не натянуты. Никогда не соединяйте кабели внахлест (если иное не указано в прилагаемой документации). Несоблюдение этих инструкций может привести к перегреву или возгоранию.
- Крышка наружного прибора должна быть надежно присоединена к прибору. Если крышка установлена неправильно, в прибор могут попасть пыль и влага, что может привести к поражению электрическим током или возникновению пожара.
- При монтаже или перемещении, а также при обслуживании кондиционера используйте только указанный хладагент (R410A) для заполнения трубопроводов хладагента. Не смешивайте его ни с каким другим хладагентом и не допускайте наличия воздуха в трубопроводах. Наличие воздуха в трубопроводах может вызывать скачки давления, в результате которых может произойти взрыв или другие повреждения. Использование любого хладагента, отличного от указанного для этой системы, вызовет механическое повреждение, сбои в работе системы, или выход устройства из строя. В наихудшем случае, это может послужить серьезной преградой к обеспечению безопасной работы этого изделия.
- Используйте только те дополнительные принадлежности, на которые имеется разрешение от Mitsubishi Electric; для их установки обратитесь к дилеру или уполномоченному техническому специалисту. Неправильная установка дополнительных принадлежностей может привести к протечке воды, поражению электрическим током или возникновению пожара.
- Не изменяйте конструкцию прибора. При необходимости ремонта обратитесь к дилеру. Если изменения или ремонт выполнены неправильно, это может привести к протечке воды, удару электрическим током или возникновению пожара.
- Пользователю не следует пытаться ремонтировать прибор или перемещать его на другое место. Если прибор установлен неправильно, это может привести к утечке воды, удару электрическим током или возникновению пожара. Если необходимо отремонтировать или переместить кондиционер, обратитесь к дилеру или уполномоченному техническому специалисту.
- По окончании установки убедитесь в отсутствии утечки хладагента. Если хладагент проникнет в помещение и произойдет контакт его с пламенем обогревателя или переносного пищевого нагревателя, образуются ядовитых газов.

1.1. Перед установкой

⚠ Осторожно:

- Не используйте прибор в нестандартной окружающей среде. Установка кондиционера в местах, подверженных воздействию пара, летучих масел (включая машинное масло) или сернистых испарений, местах с повышенной концентрацией соли (таких, как берег моря), или местах, где прибор будет засыпан снегом, может привести к значительному снижению эффективности работы прибора или повреждению его внутренних частей.
- Не устанавливайте прибор в местах, где возможна утечка, возникновение, приток или накопление горючих газов. Если горючий газ будет накапливаться вокруг прибора, это может привести к возникновению пожара или взрыву.

- При использовании режима обогрева на наружном приборе образуется конденсат. Удостоверьтесь, что обеспечен хороший дренаж в районе наружного прибора, если этот конденсат может принести какой-либо вред.
- При монтаже прибора в больнице или центре связи примите во внимание шумовое и электронное воздействие. Работа таких устройств, как инверторы, бытовые приборы, высокочастотное медицинское оборудование и оборудование радиосвязи может вызвать сбои в работе кондиционера или его поломку. Кондиционер также может повлиять на работу медицинского оборудования и медицинское обслуживание, работу коммуникационного оборудования, вызывая искажение изображения на дисплее.

1.2. Перед установкой (перемещением)

⚠ Осторожно:

- Соблюдайте особую осторожность при транспортировке или установке приборов. Прибор должен переносить 2 или более человека, поскольку он весит не менее 20 кг. Не поднимайте прибор за упаковочные ленты. При извлечении прибора из упаковки или при его перемещении используйте защитные перчатки, во избежание травмирования рук о пластины или о другие выступающие части.
- Утилизируйте упаковочные материалы надлежащим образом. Упаковочные материалы, такие, как гвозди и другие металлические или деревянные части, могут поранить или причинить другие травмы.

- Необходимо периодически производить проверку основного блока наружного прибора и установленных на нем компонентов на разболтанность, наличие трещин или других повреждений. Если такие дефекты оставить неисправленными, прибор может упасть и причинить повреждение или нанести травму.
- Не мойте кондиционер водой. Это может привести к поражению электрическим током.
- Затягивайте все хомуты на муфтах в соответствии со спецификациями, используя ключ с регулируемым усилием. Слишком сильно затянутый хомут муфты по прошествии некоторого времени может сломаться, что вызовет утечку хладагента.

1. Меры предосторожности

1.3. Перед электрическими работами

⚠ Осторожно:

- Обязательно установите автоматические выключатели. В противном случае возможно поражение электрическим током.
- Используйте для электропроводки стандартные кабели, рассчитанные на соответствующую мощность. В противном случае может произойти короткое замыкание, перегрев или пожар.
- При монтаже кабелей питания не прикладывайте растягивающих усилий. Если соединения ненадежны, кабель может отсоединиться или порваться, что может привести к перегреву или возникновению пожара.

1.4. Перед тестовым прогоном

⚠ Осторожно:

- Включайте главный выключатель питания не позднее, чем за 12 часов до начала эксплуатации. Запуск прибора сразу после включения выключателя питания может серьезно повредить внутренние части. Держите главный выключатель питания включенным в течение всего времени работы.
- Перед началом эксплуатации проверьте, что все пульты, щитки и другие защитные части правильно установлены. Вращающиеся, нагретые или находящиеся под напряжением части могут нанести травмы.
- Не прикасайтесь ни к каким выключателям влажными руками. Это может привести к поражению электрическим током.

1.5. Использование кондиционеров с хладагентом R410A

⚠ Осторожно:

- Используйте новые трубопроводы хладагента. Если используются существующие трубы, которые применялись для хладагента R22, обратите внимание на следующее.
 - Обязательно очистите трубы и убедитесь в том, что внутренняя часть труб чистая.
 - Замените хомуты на муфтах и перезатяните соединенные секции.
 - Не используйте тонкие трубы. (См. 4.1.)
- Для соединения медных или медносплавных бесшовных труб, предназначенных для хладагента, используйте медный фосфор С1220. Удостоверьтесь, что внутри трубы чисты и не содержат никаких вредных загрязнителей, таких как соединения серы, окислители, мелкий мусор или пыль. Используйте трубы указанной толщины. (См. 4.1.)
- Храните трубы, предназначенные для установки в закрытом помещении, запечатанными, а также оставьте запечатанными их концы; расплавывайте их непосредственно перед пайкой. (Оставьте коленчатые трубы и т.д. в упаковке.) Если пыль, мелкий мусор или влага попадут в трубопроводы хладагента, может произойти порча масла или поломка компрессора.
- Используйте в качестве охлаждения для покрытия соединительных муфт масло сложного или простого эфира или алкилбензол (в небольшом количестве). Если в масле охлаждения присутствует минеральное масло, может произойти порча масла.

- Обязательно заземлите прибор. Не присоединяйте провод заземления к газовым или водопроводным трубам, громоотводам или телефонным линиям заземления. Отсутствие надлежащего заземления может привести к поражению электрическим током.
- Используйте автоматические выключатели (прерыватель утечки тока на землю, разъединитель (плашки предохранитель +В) и предохранитель корпуса) с указанным предельным током. Если предельный ток автоматического выключателя больше, чем необходимо, может произойти поломка или пожар.

- Не прикасайтесь к трубам с хладагентом голыми руками во время работы прибора. Трубы с хладагентом при работе прибора нагреваются или охлаждаются в зависимости от состояния циркулирующего хладагента. Прикосновение к трубам может привести к ожогу или обморожению.
- После остановки прибора обязательно подождите по крайней мере пять минут перед выключением главного выключателя питания. В противном случае возможна протечка воды или поломка прибора.

- Используйте только хладагент R410A. В случае использования другого хладагента хлор может испортить масло.
- Используйте вакуумный насос с контрольным клапаном обратного хода. Если масло вакуумного насоса потечёт обратно в линии хладагента, это может привести к ухудшению свойств масла хладагента.
- Используйте нижеперечисленные инструменты, специально предназначенные для работы с хладагентом R410A. Для работы с хладагентом R410A необходимы следующие инструменты. При возникновении каких-либо вопросов обратитесь к ближайшему дилеру.

Инструменты (для R410A)	
Набор шаблонов	Инструмент для затяжки муфт
Шланг зарядки	Калибр регулирования размера
Детектор утечки газа	Адаптер вакуумного насоса
Ключ с регулируемым усилием	Электронный измеритель зарядки хладагента

- Используйте только специальные инструменты. Попадание пыли, мелко мусора или влаги в трубопроводы хладагента может привести к порче масла охлаждения.
- Не используйте для зарядки баллон. Использование баллона для зарядки приведет к изменению состава хладагента и снижению эффективности работы прибора.

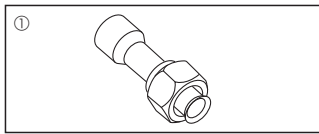


Fig. 1-1

1.6. Принадлежности наружного прибора (Fig. 1-1)

Детали, показанные слева, являются принадлежностями к данному прибору, и крепятся внутри сервисной панели.

- ① Соединительная труба..... ×1

2. Место установки

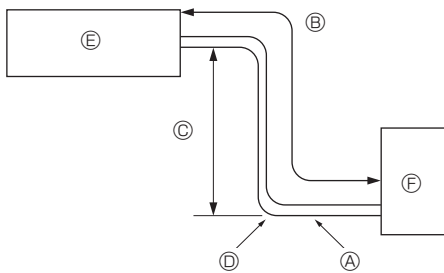


Fig. 2-1

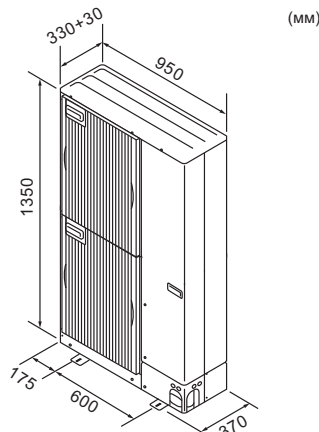


Fig. 2-2

2.1. Трубы хладагента (Fig. 2-1)

► Убедитесь в том, что перепад высоты между внутренним и наружным приборами, длина трубы хладагента и число изгибов в трубе не превышают указанных ниже пределов.

Модели	④Размер трубы (мм)		⑥Длина трубы (в одну сторону)	⑤Перепад высоты	⑦Число изгибов (в одну сторону)
	Сторона газа	Сторона жидкости			
P200	ø25,4	ø9,52	Max. 70 m	Max. 30 m	Max. of 15
P250	(ø28,58)	ø12,7	Max. 70 m	Max. 30 m	Max. of 15

- Соблюдение ограничений по перепаду высоты является обязательным вне зависимости от того, какой прибор, - внутренний или наружный - устанавливается выше.
 - ⑤ Внутренний прибор
 - ⑥ Наружный прибор

2.2. Выбор места установки наружного прибора

- Не устанавливайте прибор в местах, подверженных воздействию прямых солнечных лучей или других источников нагрева.
- Выберите такое размещение, чтобы шум при работе прибора не беспокоил окружающих.
- Выберите место, удобное для проведения кабелей и трубопроводов к источнику питания и внутреннему прибору.
- Не устанавливайте прибор в местах, где возможна утечка, возникновение, приток или накопление горючих газов.
- Примите во внимание, что во время работы прибора из него может капать вода.
- Выберите место, способное выдержать вес и вибрацию прибора.
- Не устанавливайте прибор в местах, где он может быть засыпан снегом. В тех регионах, где возможны сильные снегопады, требуется принять специальные меры предосторожности (например, разместить прибор повыше или смонтировать на воздухозаборнике козырек) с целью предотвращения закупорки воздухозаборника снегом или прямого воздействия ветра. В противном случае возможно уменьшение потока воздуха, что может привести к сбою.
- Не устанавливайте прибор в местах, подверженных влиянию летучих масел, пара или сернистых испарений.
- Для транспортировки наружного прибора используйте четыре ручки, расположенные на приборе слева, справа, спереди и сзади. При переносе прибора за нижнюю часть можно придавить руки или пальцы.

2.3. Контурные габариты (Наружный прибор) (Fig. 2-2)

2. Место установки

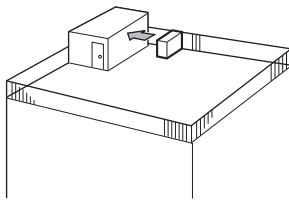


Fig. 2-3

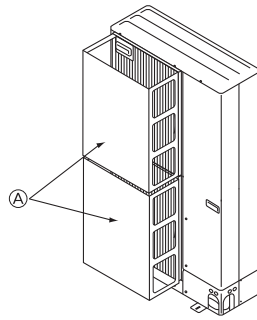


Fig. 2-4

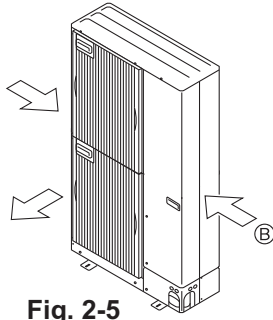


Fig. 2-5

2.4. Вентиляция и сервисное пространство

2.4.1. Установка в местах, где возможен сильный ветер

При монтаже наружного прибора на крыше или другом месте, не защищенном от ветра, расположите вентиляционную решетку прибора так, чтобы она не подвергалась воздействию сильного ветра. Сильный ветер, дующий прямо в выходное отверстие, может препятствовать нормальному потоку воздуха, что может привести к сбою.

Ниже приведены три примера соблюдения мер предосторожности против сильного ветра.

- ① Расположите прибор так, чтобы выходное отверстие было направлено к самой близкой из доступных стен на расстоянии около 50 см от стены. (Fig. 2-3)
- ② Установите дополнительный воздуховод, если прибор установлен в месте, где сильный ветер от тайфуна и т.д. может попасть непосредственно в вентиляционную решетку. (Fig. 2-4)
 - Ⓐ Воздуховод
- ③ По возможности разместите прибор так, чтобы воздух из выходного отверстия выдувался в направлении, перпендикулярном к сезонному направлению ветра. (Fig. 2-5)
 - Ⓑ Направление ветра

2.4.2. При установке одиночного наружного прибора (См. последнюю стр.)

Минимальные размеры включают, за исключением указанных Макс., значит Максимальных размеров, следующие размеры. См. соответствующие значения для каждого случая.

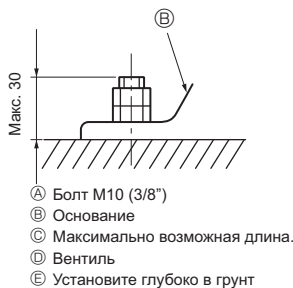
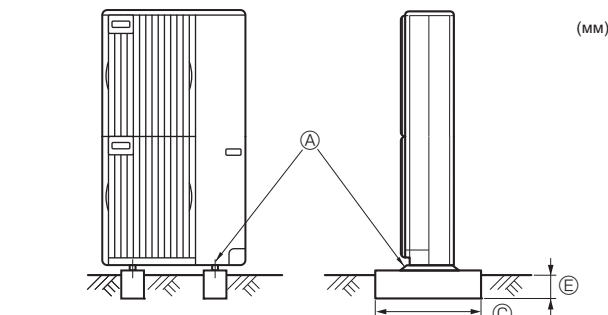
- ① Окружающие предметы - только сзади (Fig. 2-6)
- ② Окружающие предметы - только сзади и сверху (Fig. 2-7)
- ③ Окружающие предметы - только сзади и с боковых сторон (Fig. 2-8)
- ④ Окружающие предметы - только спереди (Fig. 2-9)
 - При использовании дополнительного выходного воздуховода расстояние должно быть 500 мм или более.
- ⑤ Окружающие предметы - только спереди и сзади (Fig. 2-10)
 - При использовании дополнительного выходного воздуховода расстояние должно быть 500 мм или более.
- ⑥ Окружающие предметы - только сзади, с боковых сторон и сверху (Fig. 2-11)
 - Не используйте дополнительные воздуховоды для восходящего потока воздуха.

2.4.3. При установке нескольких наружных приборов (См. последнюю стр.)

Между приборами необходимо оставить 10 мм свободного пространства.

- ① Окружающие предметы - только сзади (Fig. 2-12)
- ② Окружающие предметы - только сзади и сверху (Fig. 2-13)
 - Не следует устанавливать рядом более трех приборов. Приборы должны находиться на указанном расстоянии друг от друга.
 - Не используйте дополнительные воздуховоды для восходящего потока воздуха.
- ③ Окружающие предметы - только спереди (Fig. 2-14)
 - При использовании дополнительного выходного воздуховода расстояние должно быть 1000 мм или более
- ④ Окружающие предметы - только спереди и сзади (Fig. 2-15)
 - При использовании дополнительного выходного воздуховода расстояние должно быть 1000 мм или более
- ⑤ Расположение приборов в один горизонтальный ряд (Fig. 2-16)
 - При использовании дополнительного воздуховода выходного отверстия для восходящего потока воздуха, расстояние должно быть 1000 мм или больше
- ⑥ Расположение приборов в несколько горизонтальных рядов (Fig. 2-17)
 - При использовании дополнительного воздуховода выходного отверстия для восходящего потока воздуха расстояние должно быть 1500 мм или больше
- ⑦ Расположение приборов вертикальными рядами (Fig. 2-18)
 - Можно вертикально расположить до двух приборов.
 - Рядом должно быть установлено не более двух вертикальных рядов. Приборы должны находиться на указанном расстоянии друг от друга.

3. Установка наружного прибора



- Ⓐ Болт M10 (3/8")
- Ⓑ Основание
- Ⓒ Максимально возможная длина.
- Ⓓ Вентиль
- Ⓔ Установите глубоко в грунт

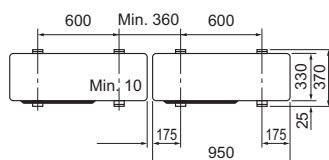


Fig. 3-1

- Обязательно устанавливайте прибор на твердой ровной поверхности для предотвращения его дребезжания во время эксплуатации. (Fig. 3-1)

<Требования к фундаменту>

Фундаментный болт	M10 (3/8")
Толщина бетона	120 мм
Длина болта	70 мм
Несущая способность	320 кг

- Убедитесь в том, что фундаментный болт в пределах 30 мм от нижней поверхности основания.
- Надежно прикрепите основание прибора с помощью четырех фундаментных болтов M10 к твердой поверхности.

Установка наружного прибора

- Не блокируйте вентиль. Если вентиль заблокирован, это будет препятствовать работе, что может привести к поломке.
- Кроме предусмотренных изначально, используйте установочные отверстия в задней стенке прибора для подсоединения проводов и т.д., если возникнет такая необходимость. Для установки на место используйте шурупы-саморезы (ø5 × Не более 15 мм).

⚠ Предупреждение:

- Прибор должен быть установлен на конструкции, способной выдержать его вес. Прибор, установленный на неустойчивой конструкции, может упасть и причинить повреждение или нанести травму.
- Прибор должен быть установлен согласно инструкциям, чтобы свести к минимуму риск повреждения от землетрясений, тайфунов или сильных порывов ветра. Неправильно установленный прибор может упасть и причинить повреждение или нанести травму.

4. Прокладка труб хладагента

4.1. Меры предосторожности для устройств, в которых используется хладагент марки R410A

- См. 1.5, на которой приведены не перечисленные ниже меры предосторожности относительно использования кондиционеров с хладагентом R410A.
- Используйте в качестве масла охлаждения для покрытия соединительных муфт масло сложного или простого эфира или алкилбензол (небольшое количество).
- Для соединения медных или медносплавных бесшовных труб, предназначенных для хладагента, используйте медный фосфор C1220. Используйте трубы для хладагента соответствующей толщины для каждого случая; значения толщины приведены в таблице ниже. Удостоверьтесь, что внутри трубы чисты и не содержат никаких вредных загрязнителей, таких, как соединения серы, окислители, мелкий мусор или пыль.
Во время твердой пайки труб всегда используйте неокисляющийся припой, иначе компрессор выйдет из строя.

⚠ Предупреждение:

При монтаже или перемещении, а также при обслуживании кондиционера используйте только указанный хладагент (R410A) для заполнения трубопроводов хладагента. Не смешивайте его ни с каким другим хладагентом и не допускайте наличия воздуха в трубопроводах.

Наличие воздуха в трубопроводах может вызывать скачки давления, в результате которых может произойти взрыв или другие повреждения. Использование любого хладагента, отличного от указанного для этой системы, вызовет механическое повреждение, сбой в работе системы, или выход устройства из строя. В наихудшем случае, это может послужить серьезной преградой к обеспечению безопасной работы этого изделия.

Размер трубы (мм)	ø6,35	ø9,52	ø12,7	ø15,88	ø19,05	ø22,2	ø25,4	ø28,58
Толщина (мм)	0,8	0,8	0,8	1,0	1,0	1,0	1,0	1,0

- Не используйте трубы более тонкие, чем указано выше.

4.2. Соединение труб

- При использовании медных труб, имеющихся в продаже, оберните трубы для жидкости и газа имеющимися в продаже изоляционными материалами (с теплозащитой от 100 °C или выше, толщиной не менее 12 мм).
- Внутренняя часть дренажной трубы должна быть обернута в пенополиэтиленовый изолирующий материал (удельный вес 0,03; толщина 9 мм или более).
- Нанесите тонкий слой масла хладагента на контактную поверхность труб и соединений перед тем, как затягивать гайку с фланцем. Ⓐ (Fig. 4-1)
- Для затягивания трубных соединений используйте два гаечных ключа. Ⓑ (Fig. 4-1)
- Используйте детектор утечки или мыльный раствор для проверки утечки газа после завершения всех соединений.
- Нанесите машинное масло охлаждения на всю поверхность области присоединения муфты. Ⓒ (Fig. 4-1)
- Используйте гайки раструбного стыка для следующего размера трубы. Ⓓ (Fig. 4-1)

		RP50	RP60,71	RP100-140
Страна газа	Размер трубы (мм)	ø12,7	ø15,88	ø15,88
Страна жидкости	Размер трубы (мм)	ø6,35	ø9,52	ø9,52

- При изгибе труб будьте осторожны, чтобы не допустить их поломки. Рекомендуются радиусы изгиба от 100 мм до 150 мм.
- Удостоверьтесь, что трубы не соприкасаются с компрессором. Такое соприкосновение может вызывать лишний шум или вибрацию.

- Соединение труб производится, начиная от внутреннего прибора. Хомуты на муфтах следует затягивать с помощью ключа с регулируемым усилием.
- Установите трубы для жидкости и для газа и нанесите тонкий слой масла охлаждения (на соответствующее место).
- В случае использования обычного уплотнения трубы, обратитесь к таблице 1 для справки о соединении труб для хладагента R410A. Для проверки размеров В можно использовать шаблон подгонки размера.

Таблица 1 (Fig. 4-2)

Медная труба O.D. (мм)	В (мм)	
	стыка для R410A	стыка для R22-R407C
	Инструмент раструбного	
ø6,35 (1/4")	0 - 0,5	1,0 - 1,5
ø9,52 (3/8")	0 - 0,5	1,0 - 1,5
ø12,7 (1/2")	0 - 0,5	1,0 - 1,5
ø15,88 (5/8")	0 - 0,5	1,0 - 1,5
ø19,05 (3/4")	0 - 0,5	1,0 - 1,5

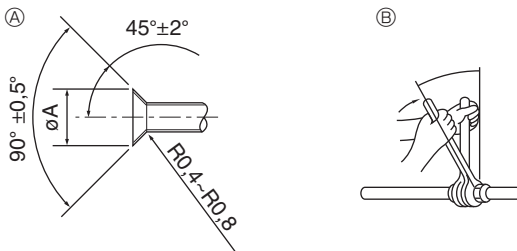
- Для соединения труб со стороны газа необходимо выполнить следующие операции. (Fig. 4-3)

- Припаяйте соединительную трубу Ⓒ, предназначенную для присоединения к наружному прибору, используя твердый припой местного производства, и местную трубу Ⓓ из бескислородной меди.
- Присоедините соединительную трубу Ⓒ к запорному крану со стороны газа. Используйте два ключа, чтобы затянуть гайку с фланцем.

- * Если выполнить операции в обратном порядке, произойдет утечка хладагента из-за повреждения деталей огнем паяльной лампы.

- Для PEA-RP200, 250, 400, 500GA
Способ соединения труб - твердый припой.

		PEA-200	PEA-250	PEA-400	PEA-500
Страна газа	Размер трубы (мм)	ø25,4 (или ø28,58)			
Страна жидкости	Размер трубы (мм)	ø9,52	ø12,7	ø9,52	ø12,7



- Ⓐ Раструбный стык - размеры
Ⓑ Момент затяжки гайки раструбного стыка

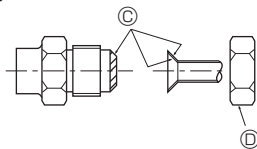


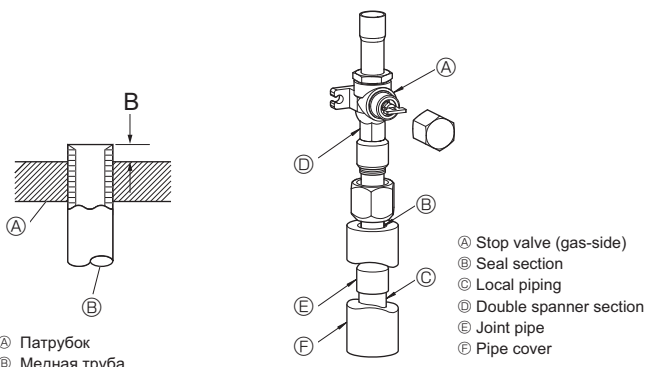
Fig. 4-1

- Ⓐ (Fig. 4-1)

Медная труба O.D. (мм)	Размеры раструба, диаметр А (мм)
ø6,35	8,7 - 9,1
ø9,52	12,8 - 13,2
ø12,7	16,2 - 16,6
ø15,88	19,3 - 19,7
ø19,05	23,6 - 24,0

- Ⓑ (Fig. 4-1)

Медная труба O.D. (мм)	Гайка раструбного стыка O.D. (мм)	Момент затяжки (Н·м)
ø6,35	17	14 - 18
ø6,35	22	34 - 42
ø9,52	22	34 - 42
ø12,7	26	49 - 61
ø12,7	29	68 - 82
ø15,88	29	68 - 82
ø15,88	36	100 - 120
ø19,05	36	100 - 120



- Ⓐ Патрубок
Ⓑ Медная труба

- Ⓐ Stop valve (gas-side)
Ⓑ Seal section
Ⓒ Local piping
Ⓓ Double spanner section
Ⓔ Joint pipe
Ⓕ Pipe cover

Fig. 4-3

Fig. 4-2

4. Прокладка труб хладагента

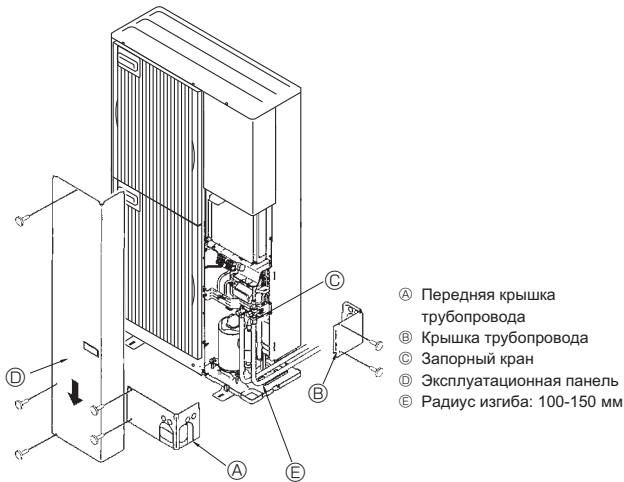
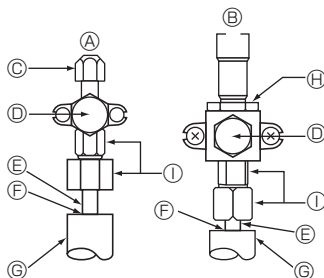


Fig. 4-4

- А Передняя крышка трубопровода
- Б Крышка трубопровода
- В Запорный кран
- Г Эксплуатационная панель
- Е Радиус изгиба: 100-150 мм



- А Запорный кран <для жидкости>
- Б Запорный кран <для газа>
- В Стык для техобслуживания
- Г Секция открытия/закрытия
- Е Местная труба
- Ж Уплотнительная секция (Уплотните конец теплоизоляционного материала у секции трубного соединения любым уплотнительным материалом, имеющимся под рукой, чтобы вода не проникла в изоляционный материал.)
- З Покрытие трубы
- И Не используйте здесь ключ. Иначе может произойти утечка хладагента.
- И Сдвоенная секция для гаечного ключа (Затягивайте ключом только эту секцию. Если использовать ключ с другими секциями, это приведет к утечкам хладагента.)

Fig. 4-5

(1)

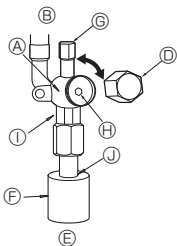


Fig. 4-6

- А Кран
- Б Со стороны блока
- В Рабочая секция
- Г Колпачок
- Е Со стороны местной трубы
- Ж Изоляция трубы
- З Стык для техобслуживания
- И Отверстие под ключ

(2)

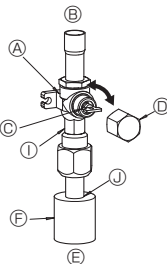


Fig. 4-7

- И Сдвоенная секция для гаечного ключа (Затягивайте ключом только эту секцию. Если использовать ключ с другими секциями, это приведет к утечкам хладагента.)
- Ж Уплотнительная секция (Уплотните конец теплоизоляционного материала у секции трубного соединения любым уплотнительным материалом, имеющимся под рукой, чтобы вода не проникла в изоляционный материал.)

4.3. Прокладка труб хладагента (Fig. 4-4)

Снимите эксплуатационную панель ③ (3 винта), а также переднюю крышку трубопровода ① (2 винта) и заднюю крышку трубопровода ② (2 винта).

- ① Подсоедините трубопроводы хладагента к устройству, предназначенному для установки внутри/вне помещения, при полностью закрытом запорном вентиле устройства для установки вне помещения.
- ② Произведите вакуумную продувку воздуха из внутреннего прибора и труб соединения.
- ③ После соединения труб хладагента проверьте соединенные трубы и внутренний прибор на наличие утечек газа. (См. 4.4. "Метод проверки герметичности трубопровода хладагента".)
- ④ Высокопроизводительный вакуумный насос установлен у сервисного порта запорного клапана для поддержания вакуума в течение соответствующего времени (по крайней мере, в течение 1 часа после достижения разрежения в -101 кПа (5 торр)), чтобы обеспечить вакуумную сушку внутри труб. Всегда проверяйте степень вакуума в коллекторе манометра. Если в трубе имеются остатки влаги, степень вакуума при использовании кратковременного разрежения не достигается. После вакуумной сушки, полностью откройте запорные клапаны (и жидкостный, и газовый) наружного прибора. Эта процедура завершает соединение контуров охлаждающей жидкости внутреннего и наружного приборов.
 - Если не произвести вакуумную сушку надлежащим образом, в контурах охлаждения останется воздух и пары воды, что может привести к ненормальному подъему высокого давления, ненормальному падению низкого давления, ухудшению масла охлаждающего агрегата по причине влаги и т.д.
 - Если оставить закрытыми запорные краны и включить прибор, это приведет к повреждению компрессора и крана контроля.
 - Проверьте места соединения труб наружного прибора на наличие утечек с помощью детектора утечки или мыльной воды.
 - Не используйте хладагент из прибора для удаления воздуха из трубопроводов хладагента.
 - По окончании всех операций с кранами закрутите колпачки кранов до соответствующего усилия: от 20 до 25 Н·м (от 200 до 250 кгс·см). Неправильная замена и закрытие колпачков могут привести к утечке хладагента. Кроме того, не повредите внутренние детали колпачков кранов, поскольку они служат уплотнителями, предотвращающими утечку хладагента.
- ⑤ Для предотвращения пропитывания изоляционного материала на торцах труб водой произведите уплотнение соединений трубопроводов герметиком.

4.4. Метод проверки герметичности трубопровода хладагента (Fig. 4-5)

- (1) Подсоедините проверочные инструменты.
 - Убедитесь в том, что запорные краны ① и ② закрыты, и не открывайте их.
 - Подайте давление в трубопроводы хладагента через служебное отверстие ③ запорного крана ①.
- (2) Не следует сразу подавать указанное давление полностью; увеличивайте давление постепенно.
 - ① Увеличьте давление до 0,5 Мпа (5 кгс/см²G), подождите 5 минут и удостоверьтесь, что давление не снизилось.
 - ② Увеличьте давление до 1,5 МПа (15 кгс/см²G), подождите 5 минут и удостоверьтесь, что давление не снизилось.
 - ③ Увеличьте давление до 4,15 МПа (41,5 кгс/см²G) и измерьте температуру окружающего воздуха и давление хладагента.
- (3) Если указанное давление держится в течение приблизительно одного дня и не уменьшается, то трубы выдержали испытание и утечек нет.
 - При изменении температуры окружающего воздуха на 1 °C давление изменяется приблизительно на 0,03 Мпа (0,3 кгс/см²G). Произведите необходимые подстройки.
- (4) Если на этапах (2) или (3) наблюдается снижение давления, происходит утечка газа. Найдите источник утечки газа.

4.5. Способ открытия запорного крана

Метод открытия запорного клапана изменяется в зависимости от модели наружного прибора. Используйте надлежащий метод открытия запорных клапанов.

- (1) Запорный кран со стороны жидкости (Fig. 4-6)
 - ① Снимите колпачок и поверните шток золотника против часовой стрелки до упора, используя для этой цели 4 мм шестиугольный гаечный ключ. Прекратите поворачивать шток в момент, когда тот достигнет стопора. (Приблизительно 10 оборотов)
 - ② Убедитесь в том, что запорный кран полностью открыт, и поверните колпачок в первоначальное положение.
- (2) Запорный кран со стороны газа (Fig. 4-7)
 - ① Снимите колпачок, потяните ручку на себя и поверните её на 1/4 оборота против часовой стрелки для открытия.
 - ② Убедитесь, что запорный кран открыт полностью, надавите на ручку и поверните колпачок в первоначальное положение.

Трубы хладагента покрыты защитным покрытием

- Трубы могут быть обернуты защитной изоляцией до диаметра $\varnothing 90$ до или после соединения. Вырежьте кусок в покрытии трубы по канавке и оберните трубы. Входной зазор трубы
 - Используйте замазку или герметик, чтобы загерметизировать входное отверстие для трубы и ликвидировать все щели. (Если имеются незакрытые отверстия, прибор может издавать шум, а также в него могут проникнуть вода и пыль, что может привести к поломке.)

Меры предосторожности при использовании клапана заправки хладагента (Fig. 4-8)

Не затягивайте сервисный порт слишком сильно при установке, в противном случае возможна деформация сердечника клапана и его ослабление, что может стать причиной утечки газа.

После установки секции ⑤ в необходимое положение, поверните только секцию ① А и затяните ее.

Дополнительного затягивания секций ① А и ② друг с другом после затягивания секции ① не требуется.

⚠ Предупреждение:

При установке прибора надежно подсоедините трубы подачи охлаждающей жидкости до запуска компрессора.

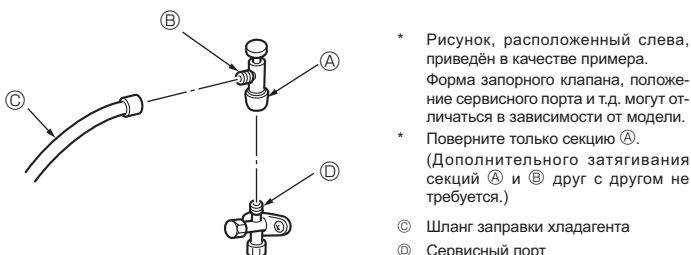


Fig. 4-8

- * Рисунок, расположенный слева, приведён в качестве примера. Форма запорного клапана, положение сервисного порта и т.д. могут отличаться в зависимости от модели.
- * Поверните только секцию ① А. (Дополнительного затягивания секций ① А и ② друг с другом не требуется.)
- Г Шланг заправки хладагента
- И Сервисный порт

4. Прокладка труб хладагента

4.6. Добавление хладагента

- В дополнительной зарядке нет необходимости, если длина трубы не превышает 30 м.
- Если длина трубы превышена, дополнительно зарядите устройство хладагентом R410A в соответствии с допустимыми длинами труб в следующей таблице.
- При выключенном приборе заряжайте его добавочным количеством хладагента через жидкостный запорный кран после вакуумной продувки труб и внутреннего прибора.
- При включенном приборе добавляйте хладагент через кран контроля газа, используя прибор безопасной зарядки. Не добавляйте жидкий хладагент непосредственно через кран контроля.

- После зарядки прибора хладагентом обратите внимание на количество добавочного хладагента на служебной метке (присоединенной к прибору). Дополнительная информация содержится в разделе "1.5. Использование кондиционеров с хладагентом R410A".
- Будьте осторожны при установке нескольких приборов. Присоединение не к нужному внутреннему прибору может привести к ненормально высокому давлению и оказать существенное влияние на эксплуатационные показатели прибора.

Модель	Разрешенная длина трубы	Разрешенный перепад высоты	Количество добавочного хладагента для зарядки			
			31 - 40 М	41 - 50 М	51 - 60 М	61 - 70 М
P200	70 М	30 М	0,9 кг	1,8 кг	2,7 кг	3,6 кг
P250			1,2 кг	2,4 кг	3,6 кг	4,8 кг

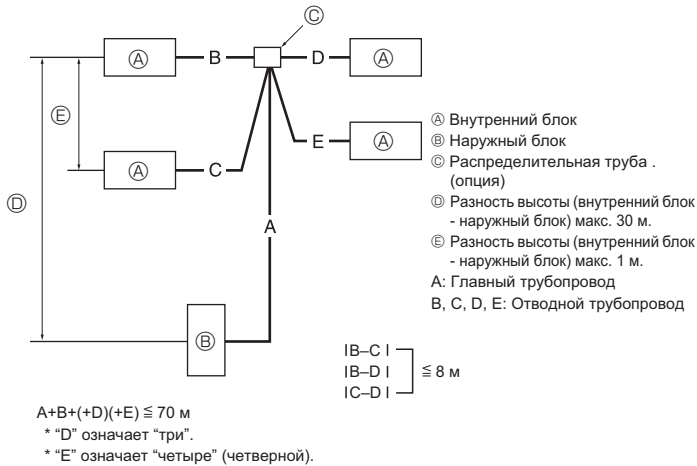


Fig. 4-9

4.7. Для двойной/тройной/четверной комбинации (Fig. 4-9)

- Если данный прибор используется в качестве прибора УСТРОЙСТВО МНОГОКРАТНОГО СОРТИРОВАНИЯ, проложите трубы хладагента с учетом ограничений, указанных на чертеже слева. Кроме того, если предполагается, что ограничения будут превышены, или если будут комбинации из внутренних и наружных приборов, см. дополнительную информацию по монтажу в инструкциях по установке внутреннего прибора.

Наружный прибор	Допустимая общая длина труб A+B+C+D+E	Длина труб без нагрузки A+B+C+D+E
P200 P250	70 м и меньше	30 м и меньше
Наружный прибор	В-B-C или В-D или В-E или C-D или C-E или D-E	Кол-во сгибов
P200 P250	8 м и меньше	В пределах 15

5. Дренажные трубы

Соединение дренажных труб наружного прибора

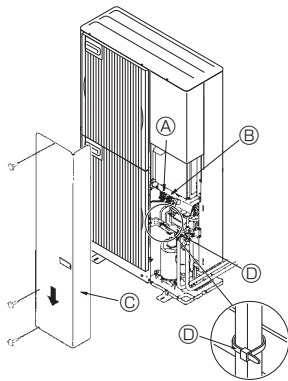
При необходимости дренажа используйте сливное гнездо или дренажный поддон (дополнительно).

Сливное гнездо	PAC-SG61DS-E
Дренажный поддон	PAC-SG64DP-E

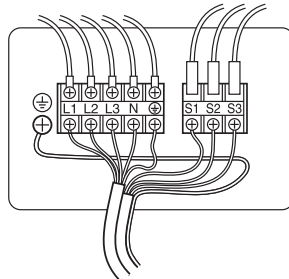
6. Электрические работы

6.1. Наружный прибор (Fig. 6-1, Fig. 6-2)

- Снимите защитную панель.
- Подсоедините кабели, как указано на рис. 6-1 и рис. 6-2.



Примечание: Если при обслуживании был снят защитный лист распределительной коробки, обязательно установите его на место.



- A Клемная колодка источника питания (L1, L2, L3, N, PE)
- B Клемная колодка внутреннего/наружного подключения (S1, S2, S3)
- C Сервисная панель
- D Клемма

* Прокладывайте кабели таким образом, чтобы они не соприкасались с центром эксплуатационной панели или с газовым клапаном.

⚠ Осторожно: Обязательно установите N-линию. Отсутствие N-линии может привести к повреждению устройства.

* Кроме PEA-RP200, 250, 400, 500GA

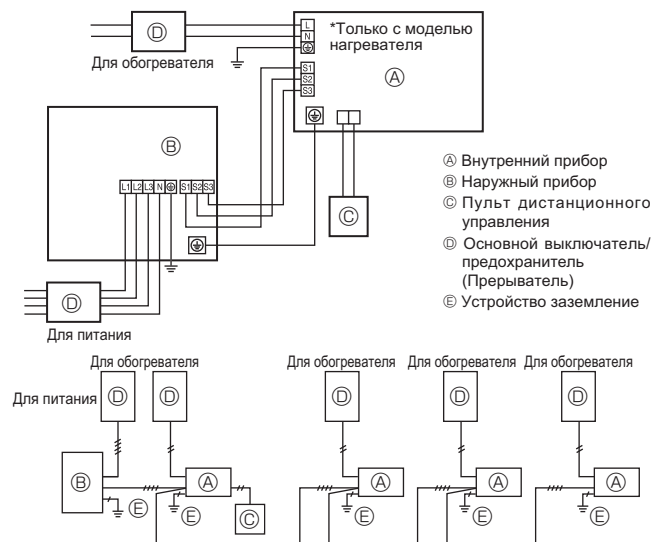
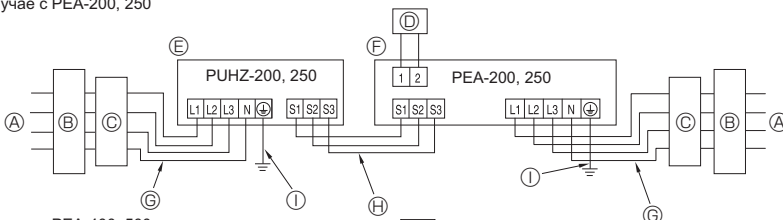


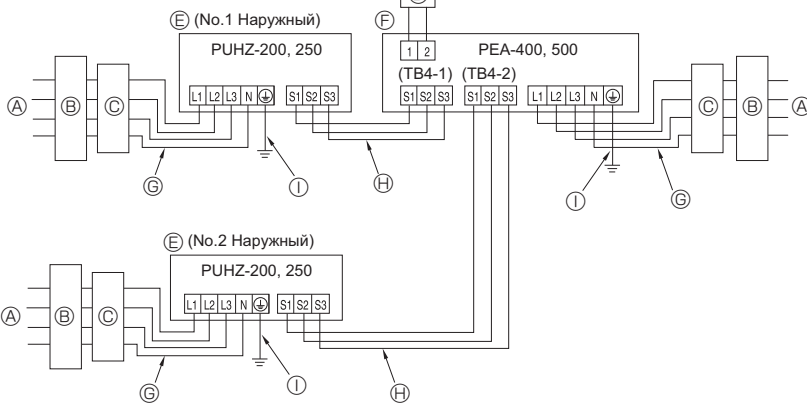
Fig. 6-1

6. Электрические работы

* В случае с PEA-200, 250

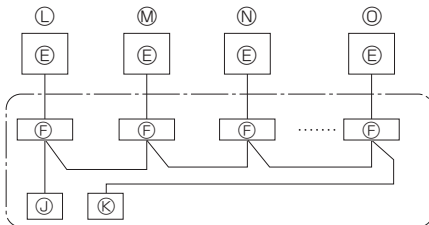


* В случае с PEA-400, 500



- Ⓐ Источник питания
- Ⓑ Выключатель тока утечки на землю
- Ⓒ Прерыватель цепи или выключатель на объекте
- Ⓓ Пульт дистанционного управления ЖК-дисплеем
- Ⓔ Наружный блок
- Ⓕ Внутренний блок
- Ⓖ Силовые кабели
- Ⓗ Проводка внутреннего/наружного подключения
- Ⓘ Заземление
- Ⓚ Главный пульт дистанционного управления
- Ⓛ Подчиненный пульт дистанционного управления
- Ⓜ Стандарт (Адрес хладагента = 00)
- Ⓝ Адрес хладагента = 01
- Ⓞ Адрес хладагента = 02
- Ⓟ Адрес хладагента = 03
- Ⓠ Адрес хладагента = 14
- Ⓡ Адрес хладагента = 15

* В случае с PEA-200, 250



* В случае с PEA-400, 500

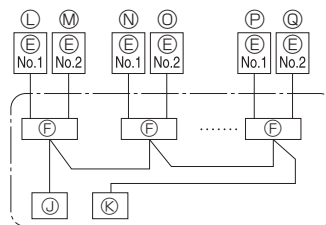


Fig. 6-2

6.2. Электропроводка на месте монтажа

Модель Наружный прибор		P200, 250
Наружный прибор . Электропитание	Фаза Частота и напряжение	3N~(3 ф 4 провода), 50 Hz, 400 V
Входная мощность внутреннего прибора	*1	32 A
Электропроводка Провод No × размер (мм2)	Наружный прибор Электропитание	5 × Мин. 4
	Внутренний прибор-Наружный прибор	*2 Длина кабеля 50 м : 3 × 4 (полярный)/Длина кабеля 80 м : 3 × 6 (полярный)
	Заземление внутреннего/наружного прибора	1 × Мин. 2,5
Мощность цепи	Пульт дистанционного управления - Внутренний прибор	*3 2 × 0,3 (неполярный)
	Наружный прибор L1-N, L2-N, L3-N	AC 230 V
	Внутренний прибор-Наружный прибор S1-S2	*4 AC 230 V
	Внутренний прибор-Наружный прибор S2-S3	*4 DC 24 V
	Пульт дистанционного управления - Внутренний прибор	*4 DC 12 V

*1. Используйте выключатель тока утечки на землю (NV) с расстоянием между контактами по крайней мере 3 мм для каждого полюса.

*2. Макс. 80 м Предельный макс, включая все внутренние/ внутренние соединения составляет 80 м.

• Используйте один кабель для S1 и S2 и другой кабель для S3, как показано на рисунке.

• Макс. 50 м - Полная макс. длина для PEA. Диаметр проводов 3 × 1,5 (полярный).

*3. К аксессуару пульта дистанционного управления прилагается провод 10 м.

*4. Напряжение HE измерено относительно заземления.

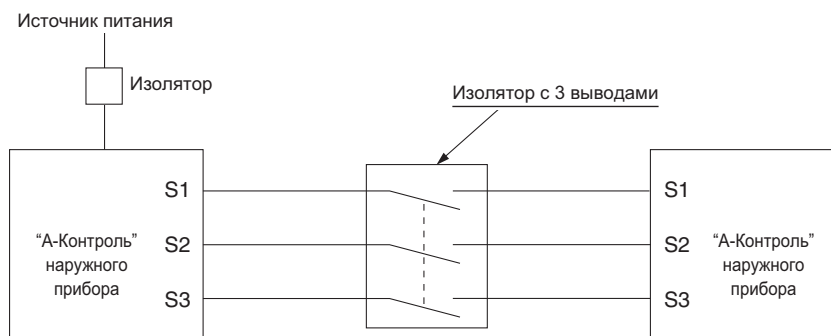
Разница потенциалов выводов S3 и S2 составляет 24 В постоянного тока. Между выводами S3 и S1 нет электрической изоляции с помощью трансформатора или другого устройства.

Примечания: 1. Диаметр проводов должен соответствовать применимым местным и национальным нормам.

2. Силовые кабели и кабели соединения Внутреннего/Наружного прибора не должны быть легче экранированного гибкого провода из полихлоропрена (модель 60245 IEC 57) .

3. Воспользуйтесь проводом заземления, который длиннее других проводов, чтобы он не отключился при подаче напряжения.

Никогда не подсоединяйте внахлест силовой кабель или соединительный кабель внешнего питания. Это может привести к задымлению, возгоранию или неисправности.







6. Электрические работы

⚠ Предупреждение:

В случае прокладки кабелей А-управления на выводе S3 имеется высоковольтный потенциал, связанный с конструкцией электрической цепи, в которой отсутствует изоляция между силовой линией и линией сигнала связи. Поэтому при проведении сервисного обслуживания отключите основной источник питания. Не прикасайтесь к контактам S1, S2, S3, когда подается питание. Если требуется использовать изолятор между наружным и внутренним блоками, используйте 3- полюсного типа.

ИНСТРУКЦИИ ПО ПОДКЛЮЧЕНИЮ ПРОВОДОВ 220 - 240 В 50 Гц (КАБЕЛЬ ПОДКЛЮЧЕНИЯ ВНУТРЕННЕГО И ВНЕШНЕГО БЛОКОВ)

Поперечное сечение кабеля	Размер провода (мм ²)	Количество проводов	Полярность	L (M)*6
Круглый 	2,5	3	По часовой стрелке : S1-S2-S3 * Обратите внимание на желтую и зеленую полоски	(30) *2
Плоский 	2,5	3	Неприменимо (Потому что центральный провод не имеет отделочной изоляции)	Неприменимо *5
Плоский 	1,5	4	Слева направо : S1-разомкнуто-S2-S3	(18) *3
Круглый 	2,5	4	По часовой стрелке : S1-S2-S3-разомкнуто * Подсоедините S1 b S3 на противоположном углу	(30) *4

*1 : Шнуры питания устройств должны отвечать, по меньшей мере, требованиям 60245 IEC или 227 IEC.

*2: В случае если имеется кабель с желтой и зеленой полосками.

*3: В случае подсоединения с обычной полярностью (S1-S2-S3), размер про-вода равен 1,5 мм².

*4: В случае подсоединения с обычной полярностью (S1-S2-S3).

*5: Если плоские кабели подсоединяются так, как показано на данном рисунке, их длина может составлять 30 м.

*6: Указанная длина кабеля приведена только в качестве справочного значения. Она может отличаться в зависимости от условий монтажа, влажности или материалов и т.п.



Обязательно подключайте соединительные кабели внутреннего и наружного приборов непосредственно к самим приборам (без промежуточных соединений).

Промежуточные соединения могут привести к ошибкам связи, если в кабели попадет вода, которая приведет к недостаточной изоляции заземления или плохому электрическому контакту в точке промежуточного соединения.

7. Выполнение испытаний

7.1. Перед пробным прогоном

▶ После завершения установки, прокладки труб и электропроводки внутреннего и наружного приборов проверьте отсутствие утечки хладагента, слабых соединений кабеля питания или проводов управления и неправильной полярности, а также убедитесь, что все фазы питания подключены.

▶ Измерьте сопротивление между терминалами источника электропитания и заземлением с использованием 500-вольтного меггера и убедитесь, что сопротивление составляет не менее 1,0 МΩ.

▶ Запрещается выполнять этот замер на терминалах проводах управления (цепь низкого напряжения).

⚠ Предупреждение:

Не пользуйтесь кондиционером воздуха, если сопротивление изоляции ниже 1,0 МΩ.

Сопротивление изоляции

После установки или длительного отключения источника питания от прибора, сопротивление изоляции падает ниже 1 МΩ вследствие накопления хладагента в компрессоре. Это не является неисправностью. Выполните следующие действия.

1. Отключите от компрессора провода и измерьте сопротивление изоляции компрессора.
2. Если сопротивление изоляции ниже 1 МΩ, то компрессор неисправен или сопротивление упало вследствие накопления хладагента в компрессоре.
3. После подсоединения проводов к компрессору при подаче питания он начнет нагреваться. После подачи питания в течение нижеуказанных периодов времени, измерьте сопротивление изоляции еще раз.
 - Сопротивление изоляции понижается из-за накопления хладагента в компрессоре. Сопротивление поднимется выше 1 МΩ после прогрева компрессора в течение 4 часов.

(Время, в течение которого необходимо прогреть компрессор, зависит от атмосферных условий и количества накопленного хладагента.)

- Чтобы использовать компрессор, в котором скопился хладагент, компрессор необходимо прогреть в течение по крайней мере 12 часов, чтобы предотвратить поломку.
4. Если сопротивление изоляции возрастает до значения свыше 1 МΩ, то компрессор исправен.

⚠ Внимания:

- Компрессор не будет работать при неправильном подсоединении фаз источника электропитания.
- Подключите электропитание прибора не менее чем за 12 часов до начала работы.
- Запуск прибора сразу после подключения сетевого питания может серьезно повредить внутренние части прибора. Сетевой выключатель должен оставаться во включенном положении в течение всего периода эксплуатации прибора.

▶ Выполните проверку следующего.

- Наружный прибор исправен. Если наружный прибор неисправен, на пульте управления наружного прибора мигают индикаторы LED1 и LED2.
- Запорные краны газа и жидкости полностью открыты.
- Защитный лист закрывает поверхность панели DIP-переключателей на пульте управления наружного прибора. Для облегчения работы с DIP-переключателями удалите защитный лист.

7.2. Выполнение испытаний

7.2.1. Использование SW4 в наружном блоке

SW4-1	ON (Вкл.)	Работа в режиме охлаждения
SW4-2	OFF (Выкл.)	
SW4-1	ON (Вкл.)	Работа в режиме обогрева
SW4-2	ON (Вкл.)	

- * После выполнения пробного прогона, установите SW4-1 на OFF (Выкл.).
- После подачи питания внутри наружного прибора могут появиться шумы (легкие щелчки). Это работа электронного клапана расширения (открытие и закрытие). Это не является неисправностью.

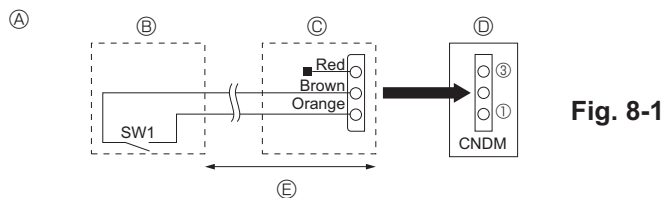
- Через несколько секунд после запуска компрессора внутри наружного прибора может появиться шум (лязг). Этот шум исходит от контрольного крана вследствие небольшого перепада давления в трубах. Это не является неисправностью.

Режим тестового прогона во время его выполнения невозможно изменить DIP- переключателем SW4-2. (Для смены режима тестового прогона во время его выполнения прервите выполнение с помощью DIP-переключателя SW4-1. После смены режима продолжайте выполнение тестового прогона, включив DIP- переключатель SW4-1.)

7.2.2. Использование пульта дистанционного управления

См. руководство по установке внутреннего блока.

8. Специальные функции



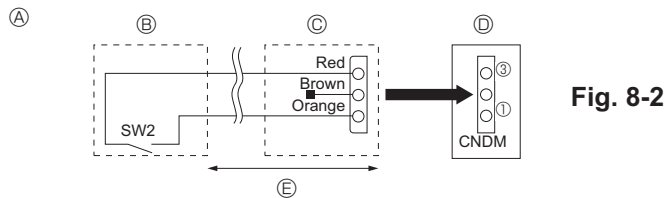
- А Пример коммутационной схемы (режим низкого шума) Д Пульт управления наружным прибором
 Б Размещение на месте Е Макс. 10 м.
 В Внешний входной адаптер (PAC-SC36NA)

8.1. Режим низкого шума (модификация “на месте”) (Fig. 8-1)

После выполнения нижеприведенной модификации шум работы наружного прибора может быть уменьшен примерно на 3-4 дБ.

Режим низкого шума активизируется после подключения отдельно поставляемого таймера или подключения контактного входа переключателя “ON/OFF” к разъему CNNDM (также поставляется отдельно) на пульте управления наружного прибора.

- Эта возможность зависит от температуры и условий окружающей среды и т.д.
- ① При использовании внешнего входного адаптера (PAC-SC36NA) (поставляется отдельно) дополните электросхему как показано ниже.
- ② SW1 в положении ON: режим низкого шума
SW1 в положении OFF: обычный режим



- А Пример коммутационной схемы (Специальные функции) В Внешний входной адаптер (PAC-SC36NA)
 Б Размещение на месте Д Пульт управления наружным прибором
 Е Макс. 10 м.

8.2. Специальные функции (модификация “на месте”) (Fig. 8-2)

После выполнения следующей модификации потребление электроэнергии можно снизить на 0-100% от обычного потребления.

Специальная функция активизируется после подключения отдельно поставляемого таймера или контактного входа переключателя ON/OFF к разъему CNNDM (также поставляется отдельно) на пульте управления наружного прибора.

- ① При использовании внешнего входного адаптера (PAC-SC36NA) (поставляется отдельно) дополните электросхему как показано ниже.
- ② Путём переключения SW7-1 и SW7-2 на пульте управления наружного прибора, потребление электроэнергии (по сравнению с обычным потреблением) можно ограничить следующим образом.

SW7-1	SW7-2	Потребление электроэнергии (SW2 ON)
OFF	OFF	0% (Останов)
ON	OFF	50%
OFF	ON	75%

8.3. Восстановление хладагента (откачка)

После перемещения внутреннего или наружного прибора выполните следующие действия для восстановления хладагента:

- ① Включите питание (автоматическим выключателем).
 - * После подачи питания удостоверьтесь, что на пульте дистанционного управления не отображается сообщение “CENTRALLY CONTROLLED”. Если отображается сообщение “CENTRALLY CONTROLLED”, то процедуру восстановления хладагента нельзя завершить обычным путем.
 - * Взаимодействие внешнего и внутреннего модулей начинается спустя 3 минуты после включения питания (автоматического выключателя). Начните откачку через 3-4 минуты после включения питания (автоматического выключателя).
- ② После закрытия запорного крана жидкости установите переключатель SWP на пульте управления наружного прибора в положение ON. Компрессор (наружный прибор) и вентиляторы (внутренний и наружный приборы) начинают работать, и начинается процедура восстановления хладагента. На пульте управления наружного прибора горят индикаторы LED1 и LED2.
 - * Устанавливайте переключатель SWP (кнопочного типа) в положение ON только при выключенном приборе. Однако даже если прибор остановлен, но переключатель SWP установлен в положение ON менее чем через 3 минуты после остановки компрессора, процедура восстановления хладагента не может быть выполнена. Подождите 3 минуты с момента остановки компрессора, и затем вновь установите переключатель SWP в положение ON.

- ③ Поскольку прибор автоматически останавливается через 2-3 минуты после завершения сбора охлаждающей жидкости (светодиод LED1 выключен, светодиод LED2 горит), следует быстро закрыть газовый запорный клапан. Если при остановленном наружном приборе светодиод LED1 светится, а светодиод LED2 не горит, сбор охлаждающей жидкости выполнен неправильно. Полностью откройте запорный клапан для жидкости, а потом повторите шаг ② через 3 минуты.

- * Если сбор охлаждающей жидкости выполнен надлежащим образом (светодиод LED1 выключен, светодиод LED2 горит), прибор останется в выключенном состоянии, пока не будет выключено питание.
- ④ Отключите питание (автоматическим выключателем).
 - * Следует иметь в виду, что при использовании удлинительных труб слишком большой длины при большом количестве охлаждающей жидкости выполнить откачку, возможно, не удастся. При осуществлении операции откачки, убедитесь, что низкое давление упало примерно до 0 МПа (маном.).

⚠ Предупреждение:

При откачке охлаждающей жидкости, прежде чем отсоединить трубы, следует остановить компрессор. Попадание внутрь компрессора воздуха и т.п. может привести к взрыву.

9. Управление системой (Fig. 9-1)



Fig. 9-1

- * Установите адрес хладагента, используя ДИП-переключатель на наружном приборе.

① Электропроводка от пульта дистанционного управления
 Данный провод подсоединен к TB5 (щит терминалов для пульта дистанционного управления) наружного прибора (неполярный).

② При использовании другой схемы группировки системы хладагента.
 С помощью одного тонкого пульта дистанционного управления МА можно управлять до 16 системами хладагента, как одной группой.

Примечание:

В схеме с одной системой хладагента (двойная/утроенная), выполнение электропроводки ② не требуется.

SW1
 Таблица функций

Функция	Работа в соответствии с положением переключателей	
	ON	OFF
1 Принудительное размораживание	Пуск	Нормальный
2 Сброс хронологии ошибок	Сброс	Нормальный
3 Установка адреса системы	Установка адресов наружных блоков - от 0 до 15	
4 адреса системы		
5 охлаждения		
6		

<SW1>



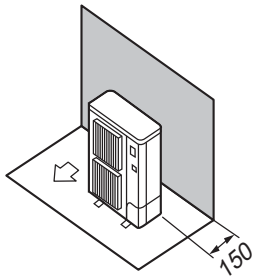


Fig. 2-6

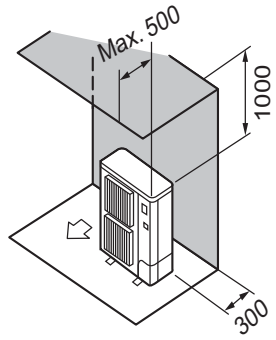


Fig. 2-7

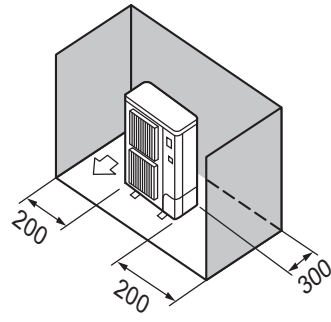


Fig. 2-8

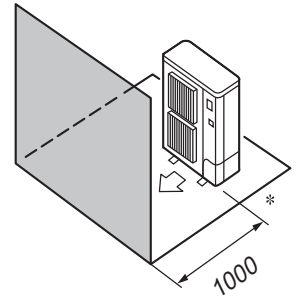


Fig. 2-9

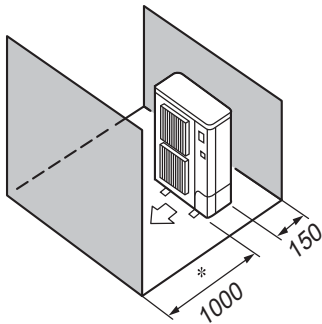


Fig. 2-10

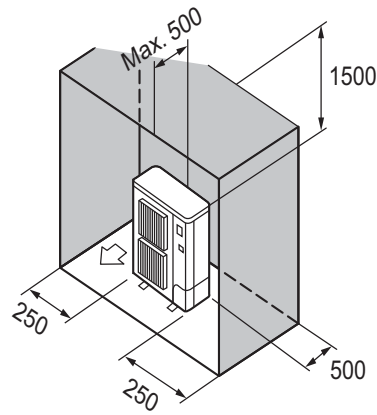


Fig. 2-11

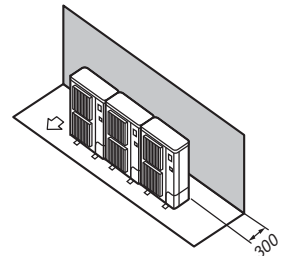


Fig. 2-12

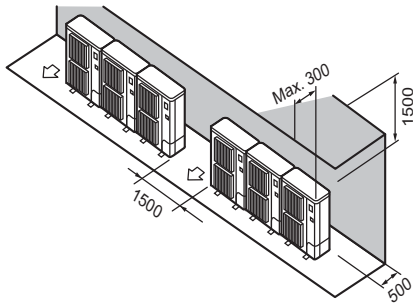


Fig. 2-13

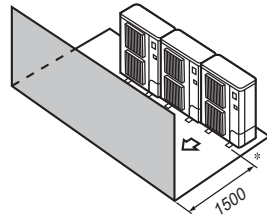


Fig. 2-14

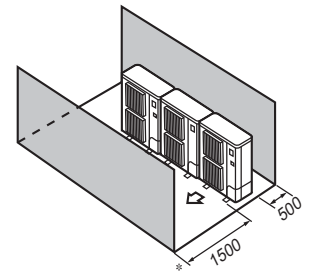


Fig. 2-15

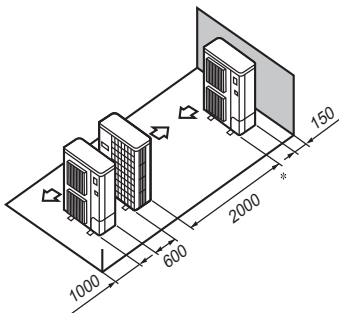


Fig. 2-16

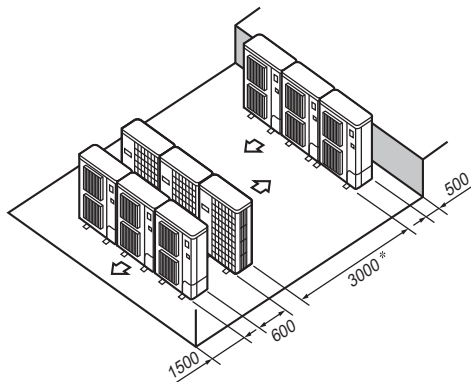


Fig. 2-17

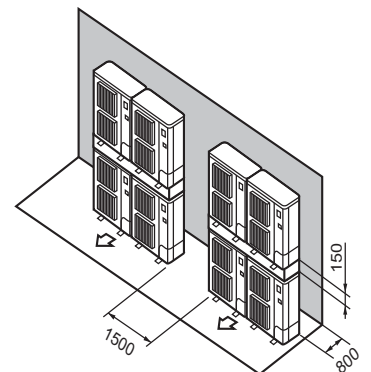


Fig. 2-18

This product is designed and intended for use in the residential,
commercial and light-industrial environment.

The product at hand is
based on the following
EU regulations:

- Low Voltage Directive 2006/95/EC
- Electromagnetic Compatibility Directive
2004/108/EC



MITSUBISHI ELECTRIC CORPORATION

HEAD OFFICE: TOKYO BLDG., 2-7-3, MARUNOUCHI, CHIYODA-KU, TOKYO 100-8310, JAPAN
Authorized representative in EU: MITSUBISHI ELECTRIC EUROPE B.V.

HARMAN HOUSE, 1 GEORGE STREET, UXBRIDGE, MIDDLESEX UB8 1QQ, U.K.