

K-CON[®]

Lossnay Weatherproof Housing

Spare Parts Lists

KS4-KWH35	to fit Mitsubishi Electric Lossnay LGH-35RX5
KS4-KWH50	to fit Mitsubishi Electric Lossnay LGH-50RX5
KS4-KWH65	to fit Mitsubishi Electric Lossnay LGH-65RX5
KS4-KWH80	to fit Mitsubishi Electric Lossnay LGH-80RX5
KS4-KWH100	to fit Mitsubishi Electric Lossnay LGH-100RX5
KS4-KWH150	to fit Mitsubishi Electric Lossnay LGH-150RX5
KS4-KWH200	to fit Mitsubishi Electric Lossnay LGH-200RX5

Contents

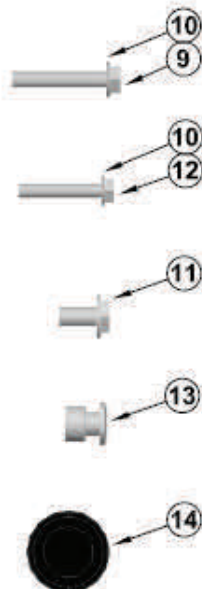
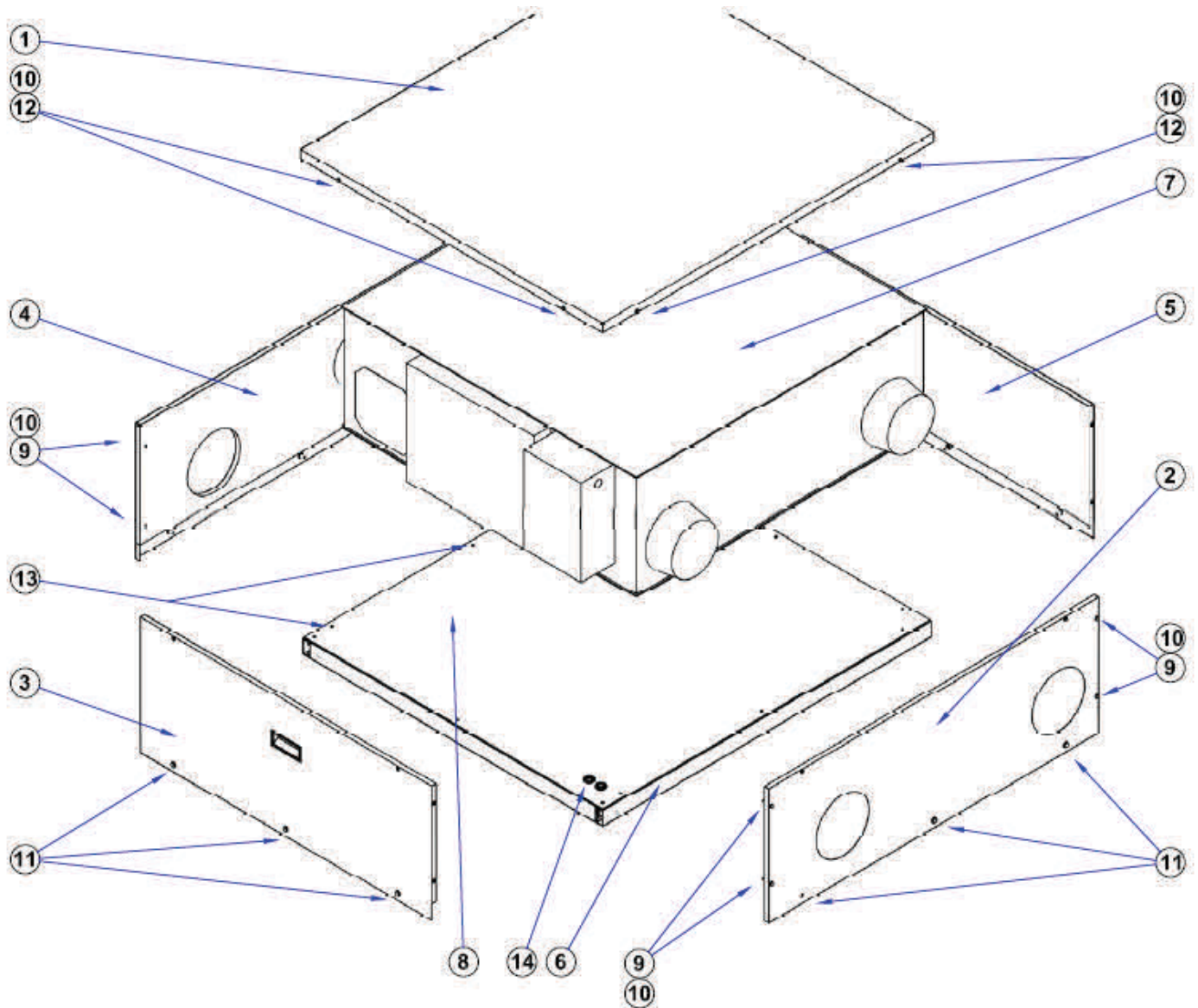
Page

2	Lossnay Weatherproof Housing Spares List
3	KS4-KWH35
4	KS4-KWH50
5	KS4-KWH65
6	KS4-KWH80
7	KS4-KWH100
8	KS4-KWH150
9	KS4-KWH200

LOSSNAY WEATHERPROOF HOUSING SPARES LIST

MODEL	KS4-KWH35		KS4-KWH50		KS4-KWH65		KS4-KWH80		KS4-KWH100		KS4-KWH150		KS4-KWH200	
	QTY	CODE	QTY	CODE	QTY	CODE	QTY	CODE	QTY	CODE	QTY	CODE	QTY	CODE
TOP COVER	1	10109038	1	10109033	1	10109034	1	10109035	1	10109036	1	10109035	1	10109036
LOUVRE											2	10109037	2	10109037
INDOOR	1	10109039	1	10109019	1	10109020	1	10109021	1	10109022	1	10109023	1	10109024
FRONT							1	10109016	1	10109016	1	10109017	1	10109017
DOOR	1	10109012	1	10109012	1	10109013	1	10109014	1	10109014	1	10109015	1	10109015
OUTDOOR	1	10109040	1	10109026	1	10109027	1	10109028	1	10109029	1	10109030	1	10109031
BACK	1	10109005	1	10109005	1	10109006	1	10109007	1	10109007	1	10109008	1	10109008
BASE ASSY	1	10109041	1	10109001	1	10109002	1	10109003	1	10109004	1	10109003	1	10109004
BASE PLATE	1	10109044	1	10109043	1	10109047	1	10109045	1	10109046	1	10109045	1	10109046
M4x25 HEX SCREW	8	50030007	8	50530007	8	50530007	10	50530007	10	50530007	10	50530007	10	50530007
M4 NYLON WASHER	16	20065455	16	20065455	16	20065455	22	20065455	22	20065455	22	20065455	22	20065455
M6x12 TAPTITE SCREW	16	50530037	16	50530037	16	50530037	18	50530037	18	50530037	18	50530037	18	50530037
M4x16 HEX SCREW	8	20065456	8	20065456	8	20065456	12	20065456	12	20065456	12	20065456	12	20065456
20MM GROMMET	2	85681	2	85681	2	85681	2	85681	2	85681	2	85681	2	85681

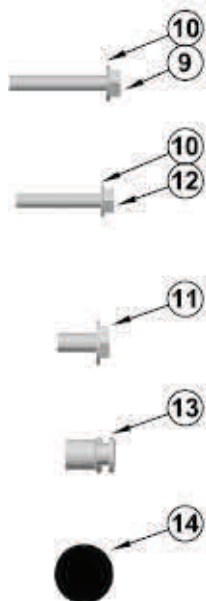
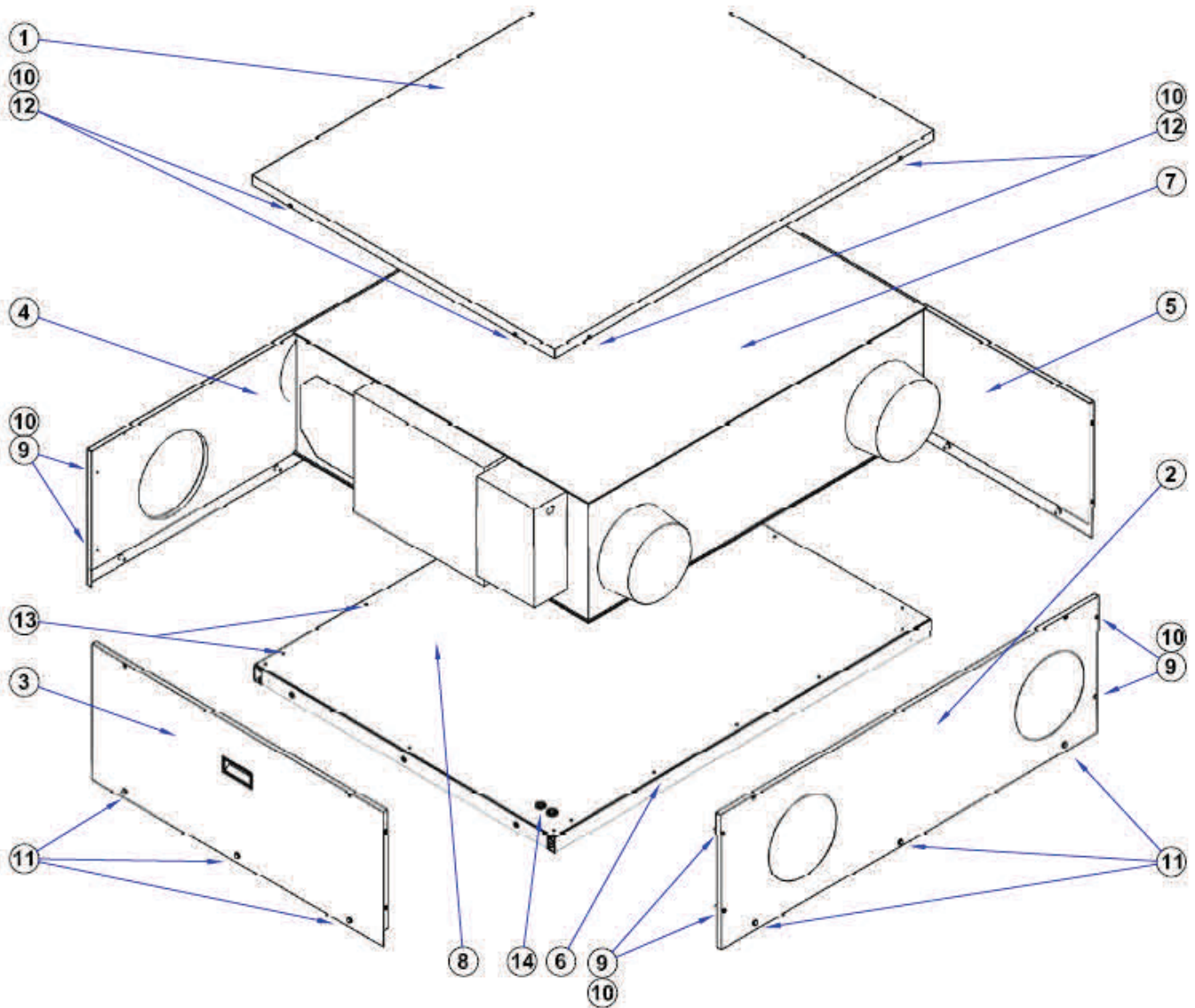
KS4-KWH35 Lossnay Weatherproof Housing



PART	DRAWING / CODE	DESCRIPTION	QTY	SPARES CODE
1	88408	TOP COVER	1	10109038
2	88405	INDOOR RA/SA	1	10109039
3	88389	DOOR	1	10109012
4	88406	OUTDOOR EA/OA	1	10109040
5	88388	BACK	1	10109005
6	88409	BASE ASSY	1	10109041
7	-	LGH35R/S	1	
8	88546	BASEPLATE	1	10109044
9	50530007	M4x25 HEX SCREW	8	50530007
10	20065455	M4 NYLON WASHER	16	20065455
11	50530037	M6x12 TAP TITE SCREW	16	50530037
12	20065456	M4x16 HEX SCREW	8	20065456
13	50530024	3.2MMx10 RIVET	10	50530024
14	85681	20MM GROMMET	2	85681

*LOSSNAY UNIT SOLD SEPARATELY
 PART 9,10 FOR CONNECTING PANEL TO PANEL
 PART 11 FOR CONNECTING PANEL TO BASEFRAME
 PART 10,12 FOR CONNECTING TOP PANEL TO PANEL

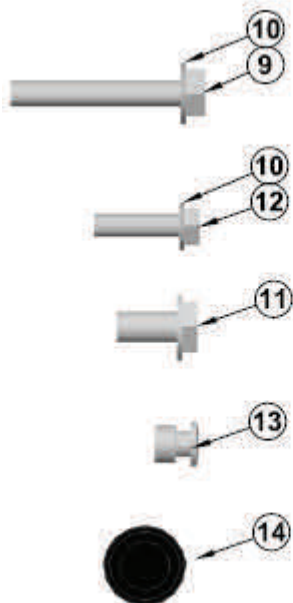
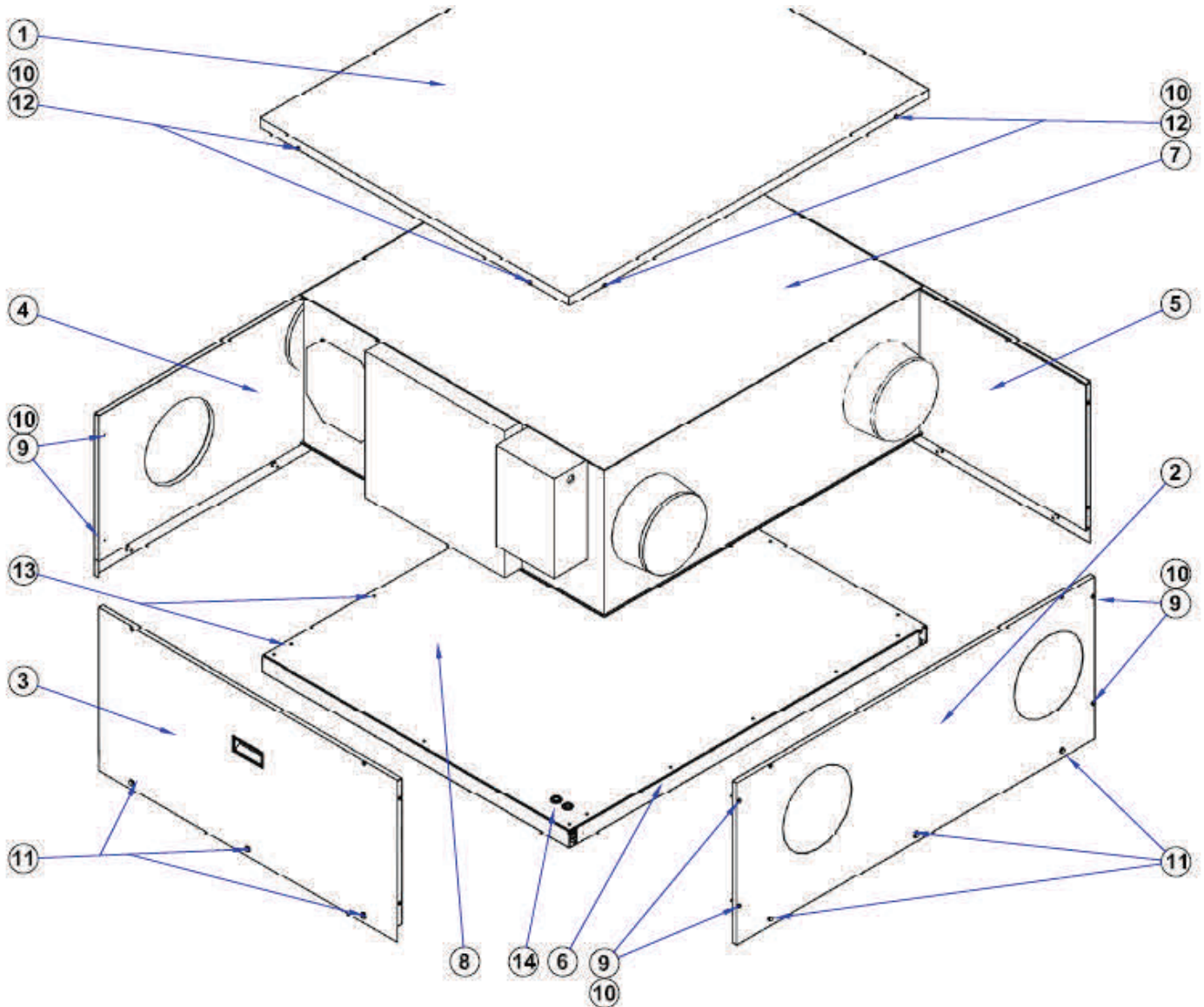
KS4-KWH50 Lossnay Weatherproof Housing



PART	DRAWING / CODE	DESCRIPTION	QTY	SPARES CODE
1	88378	TOP COVER	1	10109033
2	88381	INDOOR RA/SA	1	10109019
3	88389	DOOR	1	10109012
4	88380	OUTDOOR EA/OA	1	10109028
5	88388	BACK	1	10109006
6	88379	BASE FRAME	1	10109001
7	-	LGH50R/5	1	-
8	88542	BASEPLATE	1	10109043
9	50530007	M4x25 HEX SCREW	8	50530007
10	20085455	M4 NYLON WASHER	16	20085455
11	50530037	M6x12 TAPTITE SCREW	16	50530037
12	20085456	M4x18 HEX SCREW	8	20085456
13	50530024	3.2MMx10 RIVET	16	50530024
14	85681	20MM GROMMET	2	85681

*LOSSNAY UNIT SOLD SEPARATELY
 PART 9,10 FOR CONNECTING PANEL TO PANEL
 PART 11 FOR CONNECTING PANEL TO BASEFRAME
 PART 10,12 FOR CONNECTING TOP PANEL TO PANEL

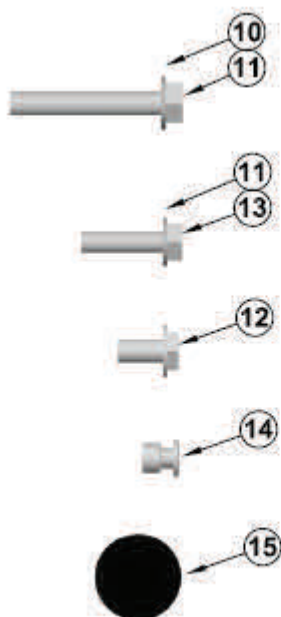
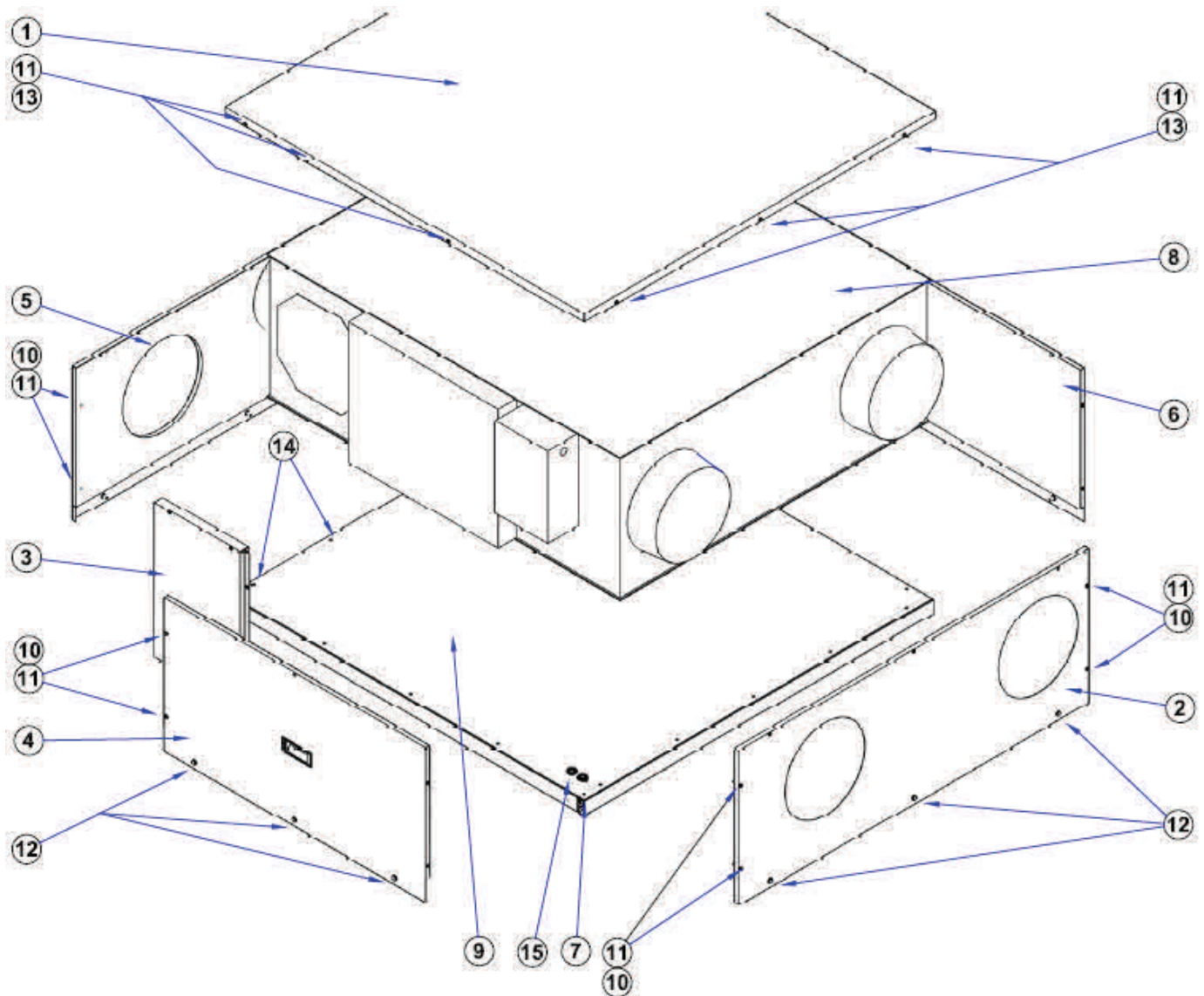
KS4-KWH65 Lossnay Weatherproof Housing



PART	DRAWING / CODE	DESCRIPTION	QTY	SPARES CODE
1	88284	TOP COVER	1	10109034
2	88286	INDOOR RA/SA	1	10109020
3	88289	DOOR	1	10109013
4	88285	OUTDOOR EA/OA	1	10109027
5	88290	BACK	1	10109006
6	88283	BASE ASSY	1	10109002
7	-	LGH65RX5	1	-
8	88543	BASEPLATE	1	10109045
9	50530007	M4x25 HEX SCREW	8	50530007
10	20065455	M4 NYLON WASHER	16	20065455
11	50530037	M6x12 TAPTITE SCREW	16	50530037
12	20065456	M4x16 HEX SCREW	8	20065456
13	50530024	3.2MMx10 RIVET	16	50530024
14	85681	20MM GROMMET	2	85681

*LOSSNAY UNIT SOLD SEPARATELY
 PART 9,10 FOR CONNECTING PANEL TO PANEL
 PART 11 FOR CONNECTING PANEL TO BASEFRAME
 PART 10,12 FOR CONNECTING TOP PANEL TO PANEL

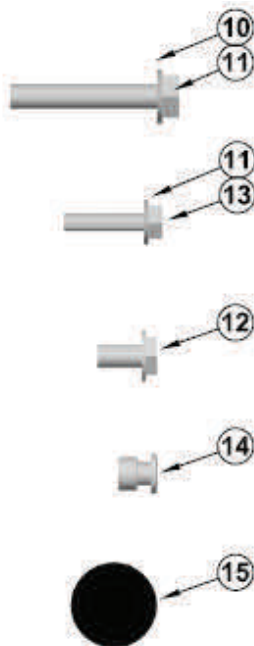
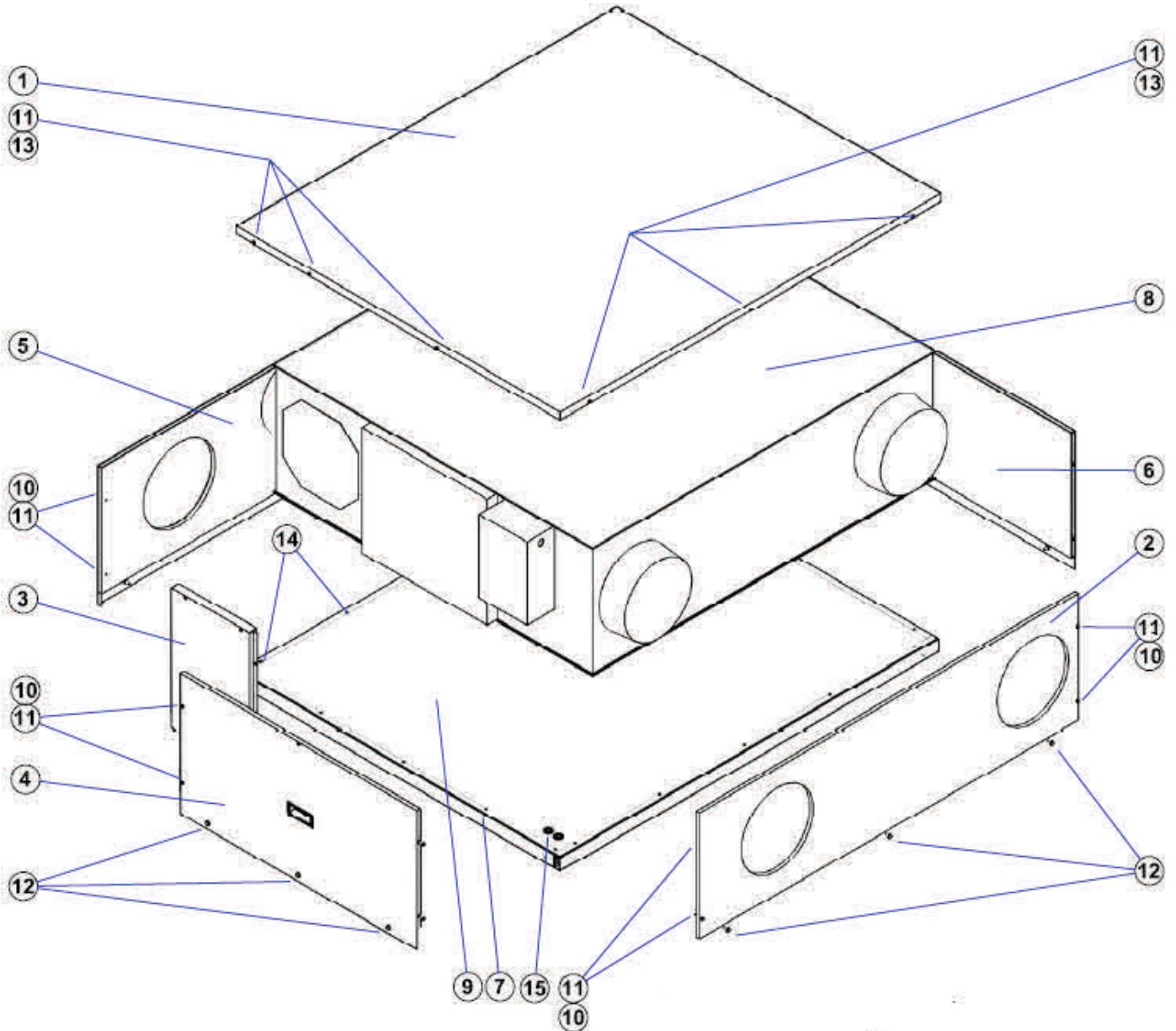
KS4-KWH80 Lossnay Weatherproof Housing



PART	DRAWING / CODE	DESCRIPTION	QTY	SPARES CODE
1	88345	TOP COVER	1	10109035
2	88355	INDOOR RA/SA	1	10109021
3	88321	FRONT	1	10109016
4	88320	DOOR	1	10109014
5	88354	OUTDOOR EA/OA	1	10109028
6	88323	BACK	1	10109007
7	88344	BASE ASSY	1	10109003
8	-	LGH80R/S	1	-
9	88544	BASEPLATE	1	10109045
10	50530007	M4x25 HEX SCREW	10	50530007
11	20065455	M4 NYLON WASHER	22	20065455
12	50530037	M6x12 TAPTITE SCREW	18	50530037
13	20065456	M4x16 HEX SCREW	12	20065456
14	50530024	3.2MMx10 RIVET	18	50530024
15	85681	20MM GROMMET	2	85681

*LOSSNAY UNIT SOLD SEPARATELY
 PART 10,11 FOR CONNECTING PANEL TO PANEL
 PART 12 FOR CONNECTING PANEL TO BASEFRAME
 PART 11,13 FOR CONNECTING TOP PANEL TO PANEL

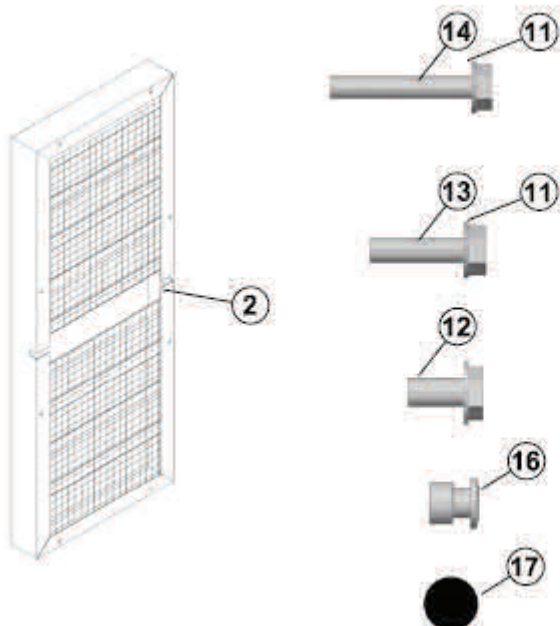
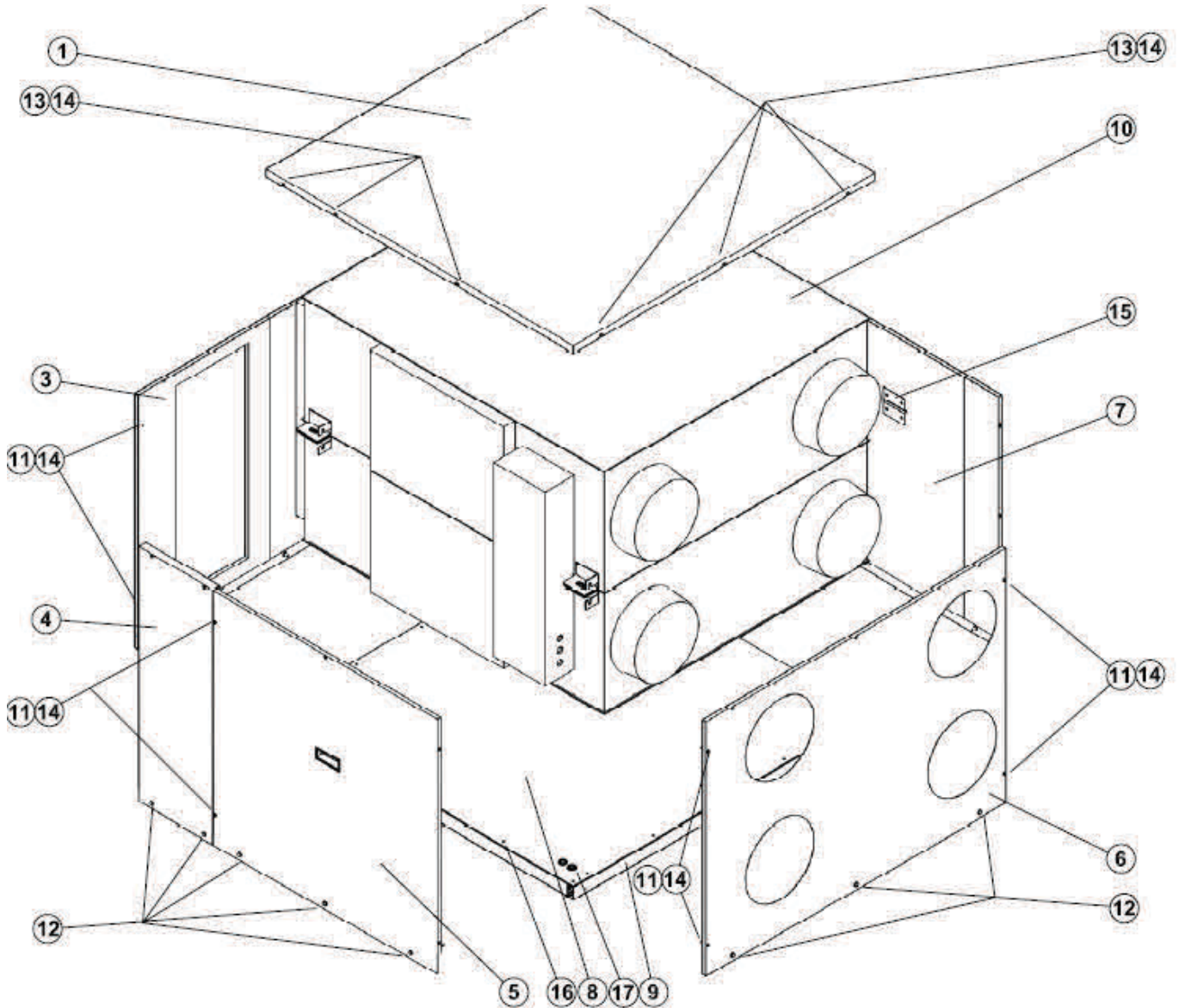
KS4-KWH100 Lossnay Weatherproof Housing



PART	DRAWING / CODE	DESCRIPTION	QTY	SPARES CODE
1	88224	TOP COVER	1	10109036
2	88324	INDOOR RA/SA	1	10109022
3	88321	FRONT	1	10109016
4	88320	DOOR	1	10109014
5	88325	OUTDOOR EA/OA	1	10109029
6	88323	BACK	1	10109007
7	88226	BASE ASSY	1	10109004
8	-	LGH100RX5	1	-
9	88545	BASEPLATE	1	10109046
10	50530007	M4x25 HEX SCREW	10	50530007
11	20065455	M4 NYLON WASHER	22	20065455
12	50530037	M6x12 TAPTITE SCREW	18	50530037
13	20065456	M4x16 HEX SCREW	12	20065456
14	50530024	3.2MM X10MM RIVET	18	50530024
15	85681	20MM GROMMET	2	85681

***LOSSNAY UNIT SOLD SEPARATELY**
PART 10,11 FOR CONNECTING PANEL TO PANEL
PART 12 FOR CONNECTING PANEL TO BASEFRAME
PART 11,13 FOR CONNECTING TOP PANEL TO PANEL

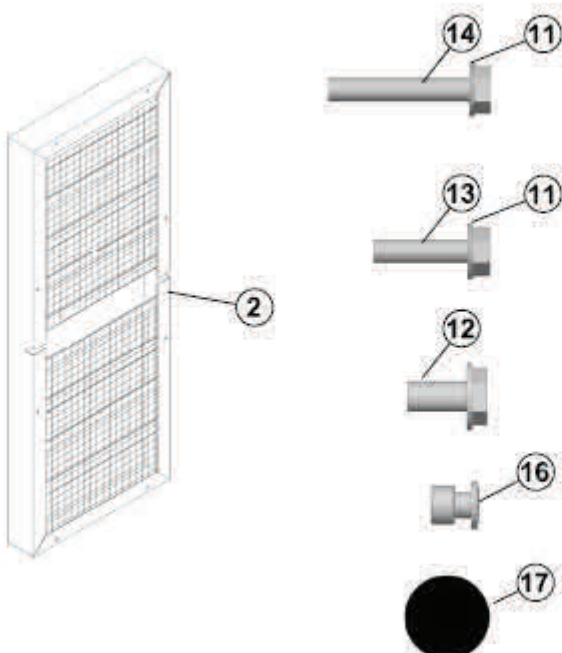
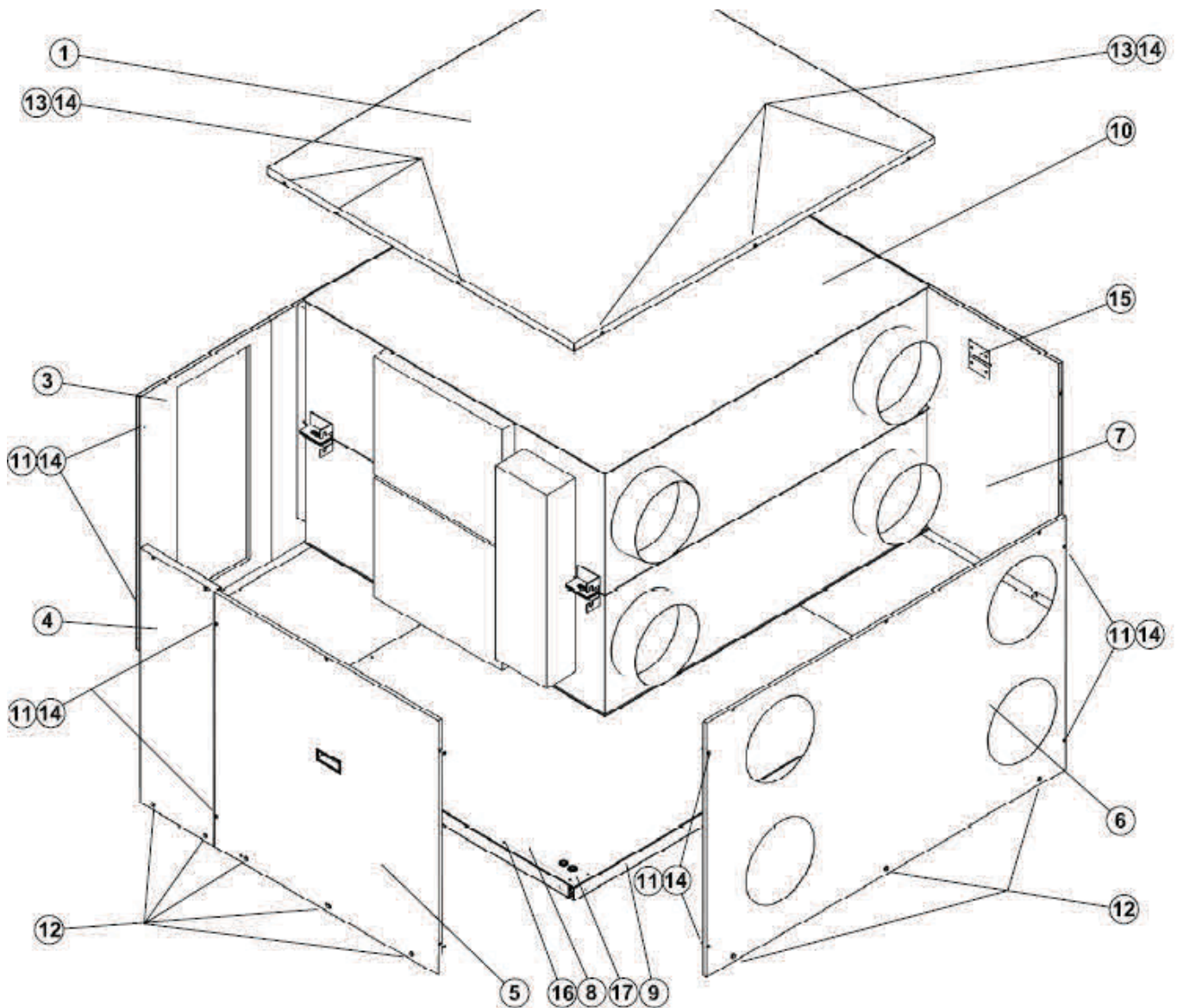
KS4-KWH150 Lossnay Weatherproof Housing



PART	DRAWING / CODE	DESCRIPTION	QTY	SPARES CODE
1	88345	TOP COVER	1	10109035
2	87880	LOUVRE ASSY	2	10109037
3	88346	OUTDOOR EA/OA	1	10109030
4	88217	FRONT	1	10109017
5	88215	DOOR	1	10109015
6	88347	INDOOR RA/SA	1	10109023
7	88222	BACK	1	10109008
8	88544	BASEPLATE	1	10109045
9	88344	BASE ASSY	1	10109003
10	-	LGH150RX5	1	-
11	50530007	M4X25 SET SCREW BZP	10	50530007
12	50530037	M6X12	18	50530037
13	20065456	M4X16 SET SCREW BZP	12	20065456
14	20065455	M4 NYLON WASHER	22	20065455
15	88500	BRACKET	2	10109042
16	50530024	3.2X10MM RIVET	18	50530024
17	85681	20MM GROMMET	2	85681

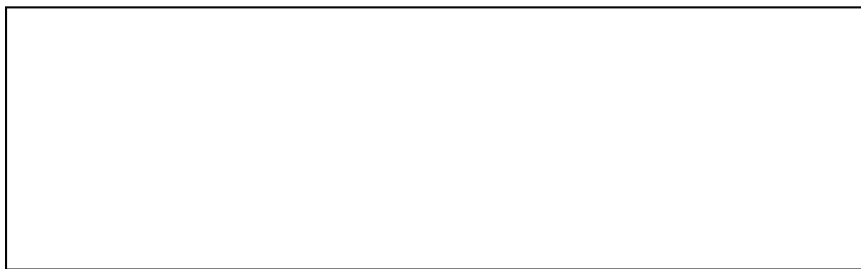
***LOSSNAY UNIT SOLD SEPARATELY**

KS4-KWH200 Lossnay Weatherproof Housing



PART	DRAWING / CODE	DESCRIPTION	QTY	SPARES CODE
1	88224	TOP COVER	1	10109036
2	87880	LOUVRE	2	10109037
3	88220	OUTDOOR EA/OA	1	10109031
4	88217	FRONT	1	10109017
5	88215	DOOR	1	10109015
6	88218	INDOOR RA/SA	1	10109024
7	88222	BACK	1	10109008
8	88545	BASEPLATE	1	10109046
9	88226	BASE ASSY	1	10109004
10	-	LGH200RX5	1	-
11	50530007	M4X25 SET SCREW BZP	10	50530007
12	50530037	M6X12	18	50530037
13	20065456	M4X16 SET SCREW BZP	12	20065456
14	20065455	M4 NYLON WASHER	22	20065455
15	88500	BRACKET	2	10109042
16	50530024	3.2MMx10MM RIVET	18	50530024
17	85681	20MM GROMMET	2	85681

***LOSSNAY UNIT SOLD SEPARATELY**



mitsubishi electric uk

MITSUBISHI ELECTRIC UK, TRAVELLERS LANE, HATFIELD, HERTFORDSHIRE, AL10 8XB