



SPLIT-TYPE, HEAT PUMP AIR CONDITIONERS

2001

TECHNICAL & SERVICE MANUAL

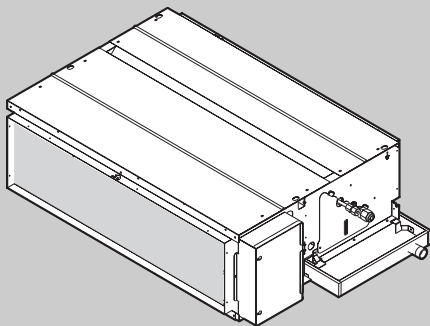
Series PEHD/PEAD Ceiling Concealed R407C

<indoor unit> Service ref.

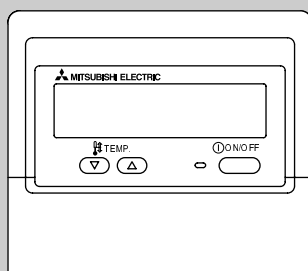
Models	PEHD-P1.6EAH	PEAD-P1.6EA
	PEHD-P2EAH	PEAD-P2EA
	PEHD-P2.5EAH	PEAD-P2.5EA
	PEHD-P3EAH	PEAD-P3EA
	PEHD-P4EAH	PEAD-P4EA
	PEHD-P5EAH	PEAD-P5EA
	PEHD-P6EAH	PEAD-P6EA

This manual does not cover the following outdoor units. When servicing them, please refer to the service manual No.OC180 REVISED EDITION-A and this manual as a set.

PUH-P1.6VGA	PU-P1.6VGA
PUH-P1.6YGA	PUH-P2VGA
PU-P2VGA	PUH-P2YGA
PUH-P2.5VGA ₁	PU-P2.5VGA ₁
PUH-P2.5YGA ₁	
PUH-P3VGA	PU-P3VGA
PUH-P3YGA	PU-P3YGA
PUH-P4YGA	PU-P4YGA
PUH-P5YGA	PU-P5YGA
PUH-P6YGA	PU-P6YGA



INDOOR UNIT



REMOTE CONTROLLER

CONTENTS

1. COMBINATION OF INDOOR AND OUTDOOR UNITS	1
2. SAFETY PRECAUTION	2
3. PART NAMES AND FUNCTIONS	4
4. SPECIFICATION	7
5. DATA	15
6. REFRIGERANT SYSTEM DIAGRAM	36
7. OUTLINES & DIMENSIONS	37
8. WIRING DIAGRAM	39
9. DISASSEMBLY INSTRUCTIONS	40
10. PARTS LIST	42
11. OPTIONAL PARTS	49

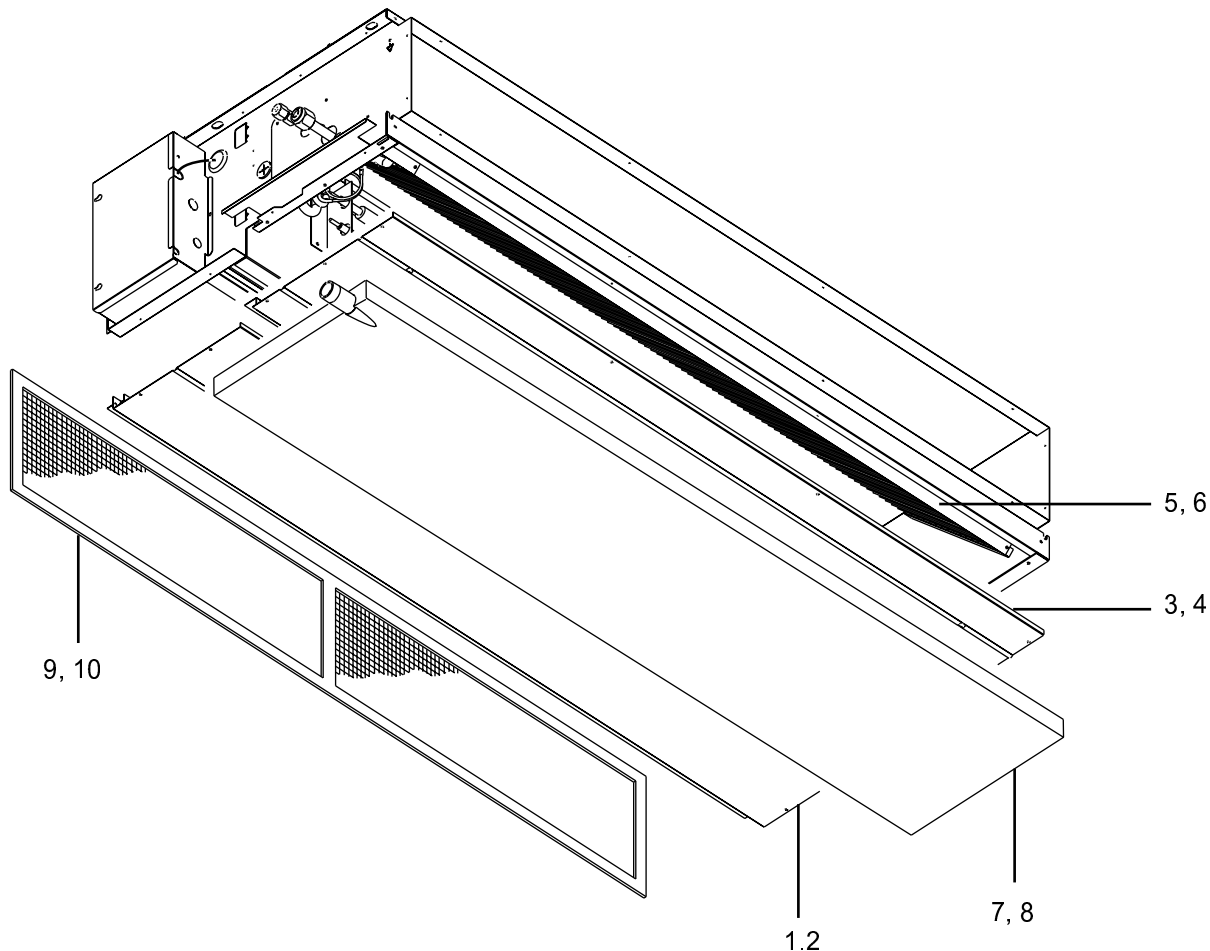


10

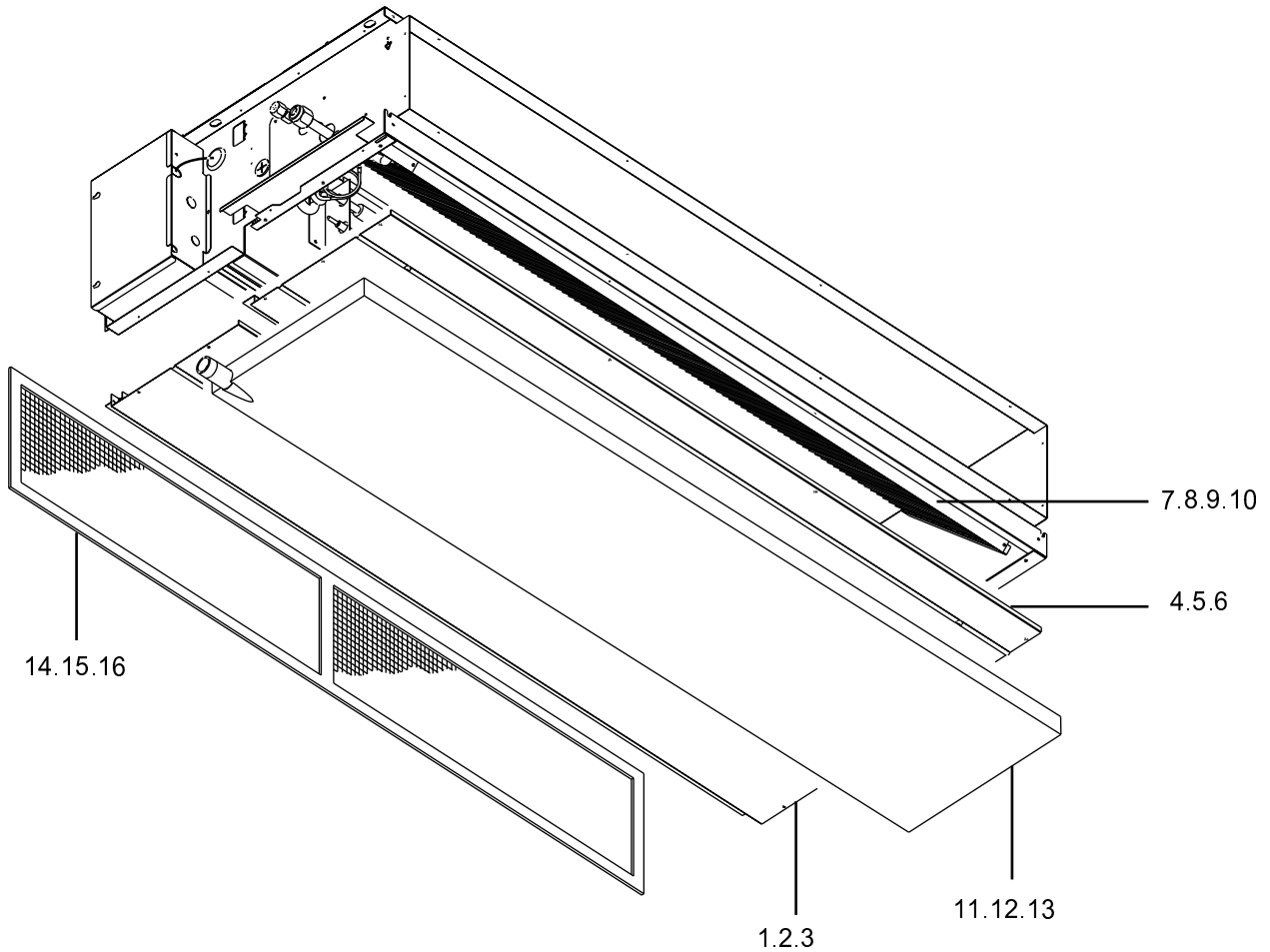
PARTS LIST

PEHD-P1.6EAH, PEAD-P1.6EA, PEHD-P2EAH, PEAD-P2EA
 PEHD-P2.5EAH, PEAD-P2.5EA, PEHD-P3EAH, PEAD-P3EA
 PEHD-P4EAH, PEAD-P4EA, PEHD-P5EAH, PEAD-P5EA
 PEHD-P6EAH, PEAD-P6EA

EXTERNAL PARTS



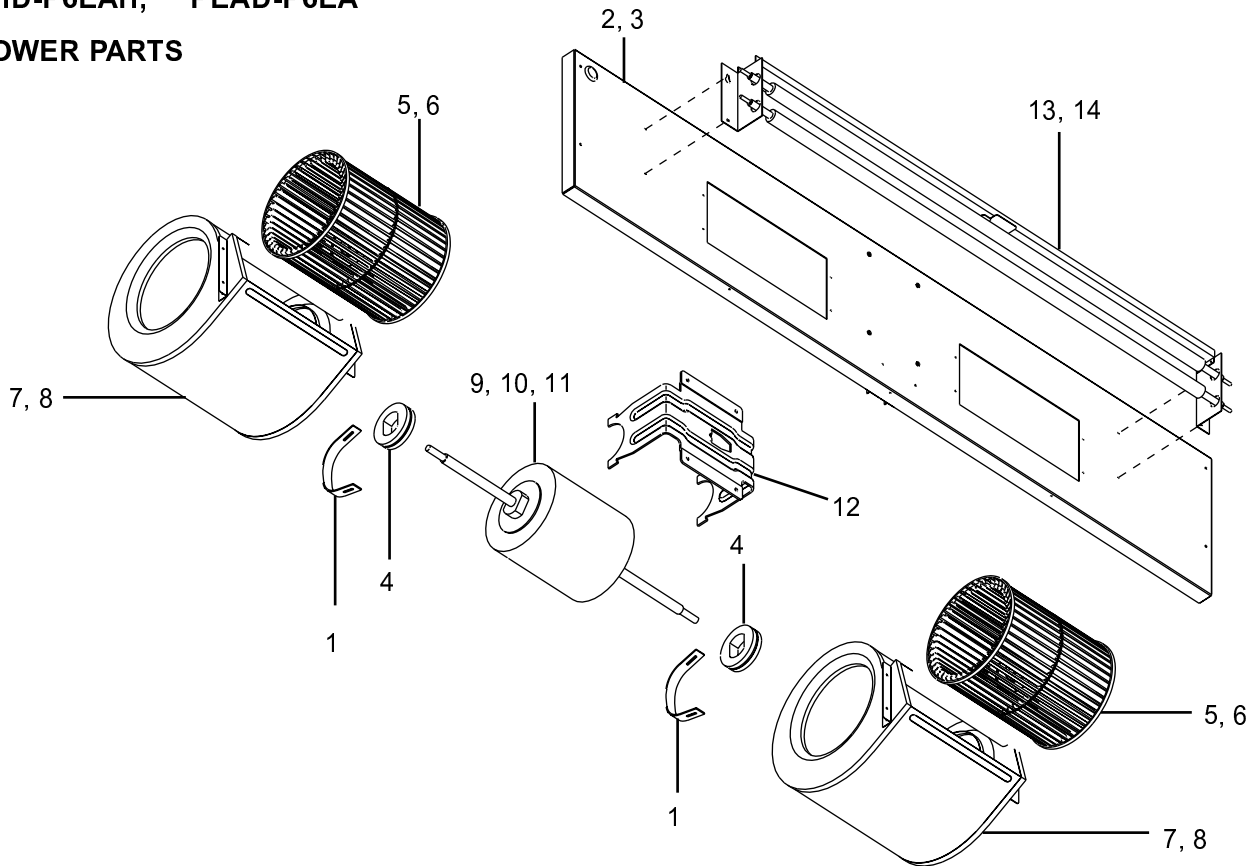
No.	Part No.	Part Name	Drawing No.	Qt'y/set								Spec.
				PEAD-P1.6EA	PEHD-P1.6EAH	PEAD-P2EA	PEHD-P2EAH	PEAD-P2.5EA	PEHD-P2.5EAH			
1	S70 031 669	Bottom plate 1	W638939Z03	1	1	1	1					
2	S70 011 669	Bottom plate 1	W638917Z03					1	1			
3	S70 081 669	Bottom plate 2 ass'y	W638940G02	1	1	1	1					
4	S70 091 669	Bottom plate 2 ass'y	W638918G02					1	1			
5	S70 030 480	H.EX.General ass'y	W268527G01	1	1	1	1					
6	S70 031 480	H.EX.General ass'y	W268527G02					1	1			
7	S70 011 529	Drain pan ass'y	W638942G01	1	1	1	1					
8	S70 021 529	Drain pan ass'y	W638920G01					1	1			
9	S70 021 500	Filter	W638181G01	1	1	1	1					
10	S70 031 501	Filter	W638181G02					1	1			



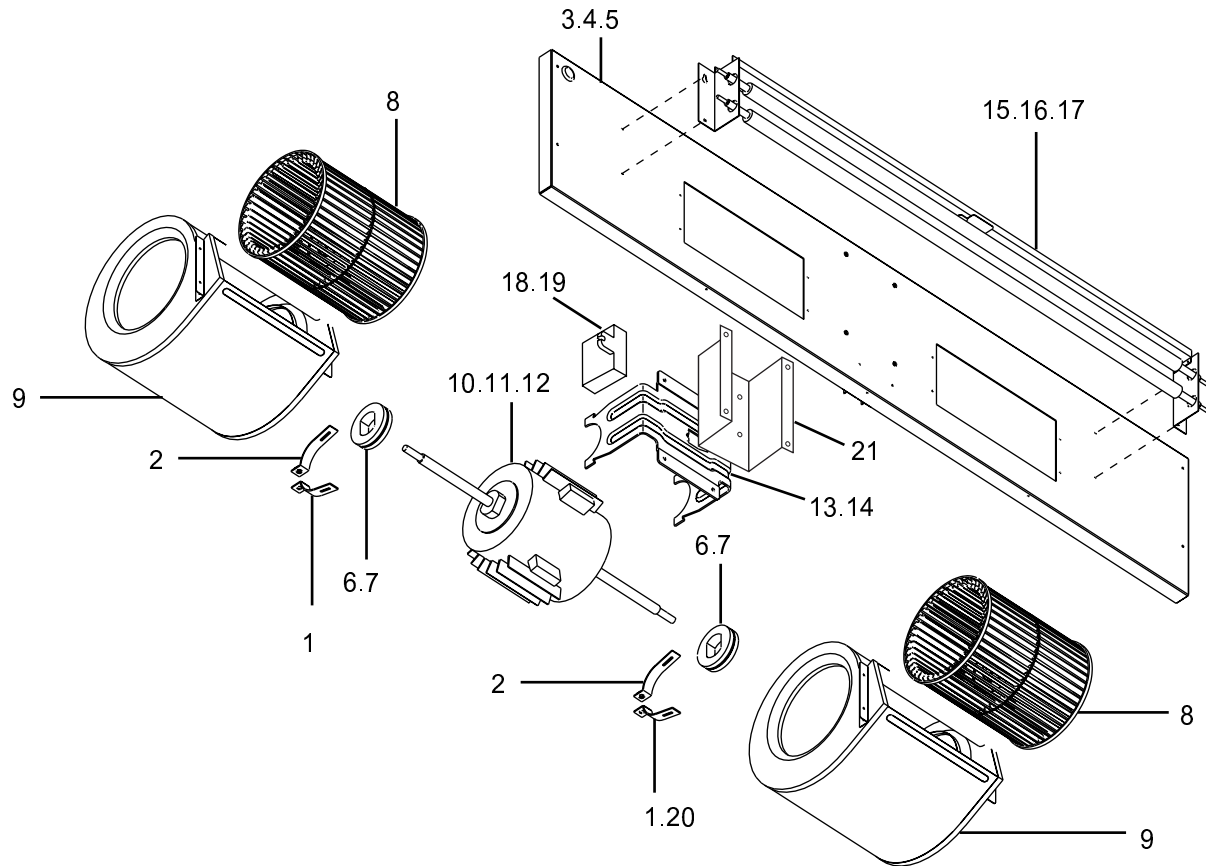
No.	Part No.	Part Name	Drawing No.	Qt'y/set								Spec.	
				PEAD-P3EA	PEHD-P3EHA	PEAD-P4EA	PEHD-P4EHA	PEAD-P5EA	PEHD-P5EHA	PEAD-P6EA	PEHD-P6EHA		
1	S70 041 669	Bottom plate 1	W634050Z01	1	1								
2	S70 042 669	Bottom plate 1	W634028Z01			1	1	1	1				
3	S70 040 669	Bottom plate 1	W631101Z04							1	1		
4	S70 051 669	Bottom plate 2 ass'y	W634052G01	1	1								
5	S70 052 669	Bottom plate 2 ass'y	W634030G01			1	1	1	1				
6	S70 050 669	Bottom plate 2 ass'y	W631188G02							1	1		
7	S70 032 480	H.EX.General ass'y	W268528G01	1	1								
8	S70 033 480	H.EX.General ass'y	W268528G02			1	1						
9	S70 034 480	H.EX.General ass'y	W268528G03					1	1				
10	S70 035 480	H.EX.General ass'y	W268529G01							1	1		
11	S70 050 529	Drain pan ass'y	W634056G01	1	1								
12	S70 060 529	Drain pan ass'y	W634034G01			1	1	1	1				
13	S70 040 529	Drain pan ass'y	W631186G01							1	1		
14	S70 050 500	Filter	W630129G06	1	1								
15	S70 040 500	Filter	W630129G05			1	1	1	1				
16	S70 010 500	Filter	W630129G02							1	1		

PEHD-P1.6EAH, PEAD-P1.6EA, PEHD-P2EAH, PEAD-P2EA
 PEHD-P2.5EAH, PEAD-P2.5EA, PEHD-P3EAH, PEAD-P3EA
 PEHD-P4EAH, PEAD-P4EA, PEHD-P5EAH, PEAD-P5EA
 PEHD-P6EAH, PEAD-P6EA

BLOWER PARTS



No.	Part No.	Part Name	Drawing No.	Qt'y/set								
				PEAD-P1.6EA	PEHD-P1.6EAH	PEAD-P2EA	PEHD-P2EAH	PEAD-P2.5EA	PEHD-P2.5EAH			
1	S70 652 131	Attachment	W353715H01	2	2	2	2	2	2			
2	S70 051 677	Fan base ass'y	W638932G02	1	1	1	1					
3	S70 061 677	Fan base ass'y	W638905G02					1	1			
4	S70 922 105	Bush	W818836H01	2	2	2	2	2	2			
5	S70 A88 114	Sirocco fan	W122296G01	2	2	2	2					
6	S70 A89 114	Sirocco fan	W122297G01					2	2			
7	S70 989 110	Housing ass'y	W638949G03	2	2	2	2					
8	S70 985 110	Housing ass'y	W638949G04					2	2			
9	S70 Y57 220	Motor	P714315X02	1	1							<MF>
10	S70 Y58 220	Motor	P714316X02			1	1					<MF>
11	S70 Y56 220	Motor	P714774X01					1	1			<MF>
12	S70 652 130	Motor support	W241060H03	1	1	1	1	1	1			
13	S70 Y07 300	Heater ass'y 3	P493639X02		1		1					
14	S70 Y03 300	Heater ass'y 4	P493640X02						1			

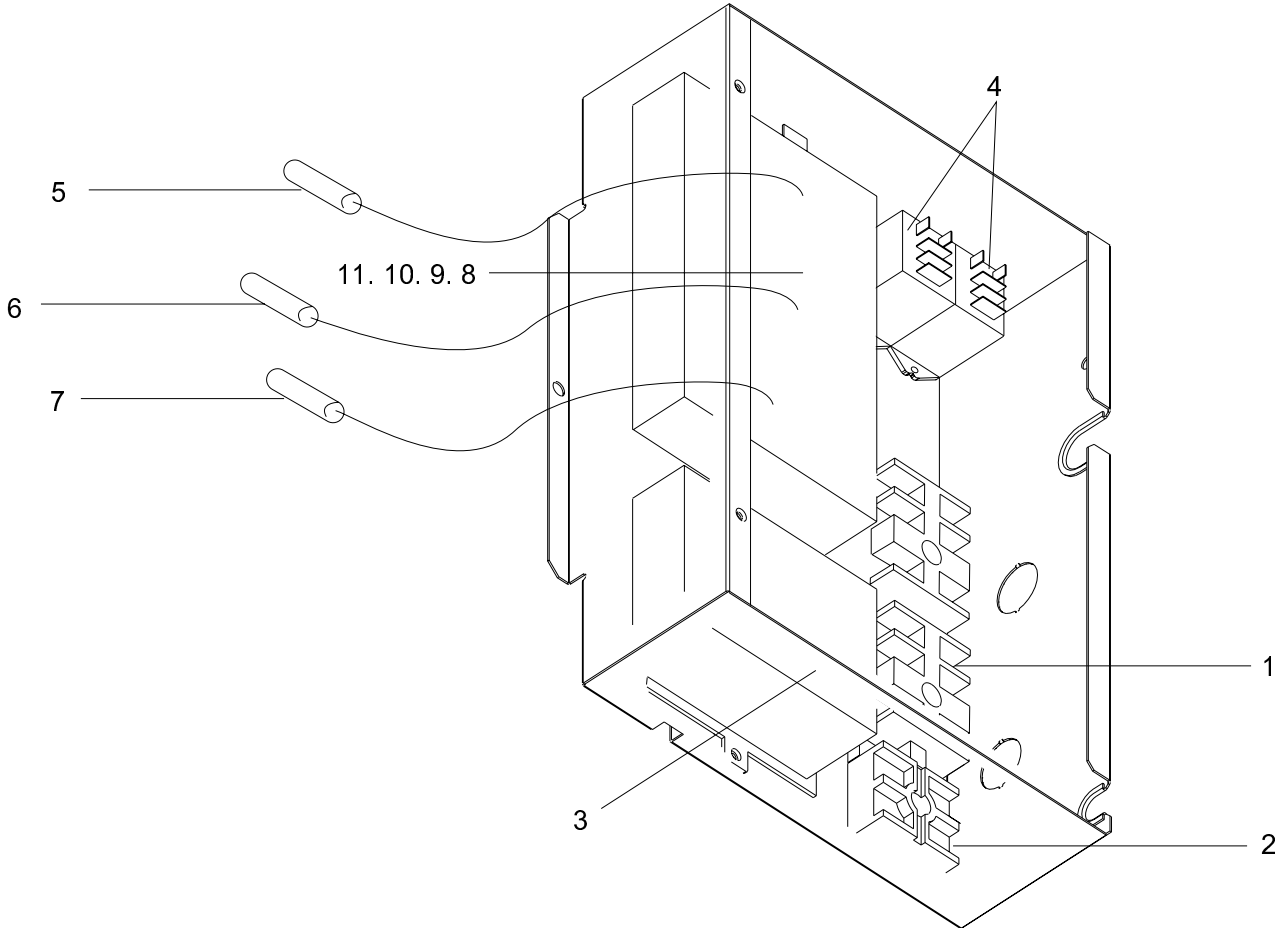


No.	Part No.	Part Name	Drawing No.	Qt'y/set								
				PEAD-P3EA	PEHD-P3EHA	PEAD-P4EA	PEHD-P4EHA	PEAD-P5EA	PEHD-P5EHA	PEAD-P6EA	PEHD-P6EHA	
1	S70 508 131	Piece	R02K338H02			2	2	2	2	2	2	
2	S70 508 132	Piece	R02K338G82			2	2	2	2	2	2	with a nut
3	S70 073 677	Fan base ass'y	W634058G02	1	1							
4	S70 072 677	Fan base ass'y	W634036G02			1	1	1	1			
5	S70 070 677	Fan base ass'y	W631187G02							1	1	
6	S70 766 105	Bush	W491760H02	2	2							
7	S70 Y01 105	Bush	W860050H02			2	2	2	2	2	2	
8	S70 Y07 114	Sirocco fan	W631126G02	2	2	2	2	2	2	2	2	20-25L
9	S70 001 110	Housing ass'y	W631120G01	2	2	2	2	2	2	2	2	
10	S70 Y15 220	Motor	P714661X01	1	1							<MF>150W,1Phase 220- 240V
11	S70 Y16 220	Motor	P714659X02			1	1					<MF>240W,1Phase 220- 240V
12	S70 Y17 220	Motor	P714614X02					1	1	1	1	<MF>250W,1Phase 220- 240V
13	S70 652 130	Motor support	W241060H03	1	1							
14	S70 Y08 130	Leg	W631122Z04			1	1	1	1	1	1	
15	S70 Y04 300	Heater ass'y 3	W258903G07		1							
16	S70 Y05 300	Heater ass'y 4	W258903G08				1					
17	S70 Y06 300	Heater ass'y 5	W258903G09						1		1	
18	S70 010 255	Capacitor 6	P412172X01			1	1					< C >
19	S70 020 255	Capacitor 16	P412223X01					2	2	2	2	< C >
* 20	S70 652 131	Attachment	W353715H01	2	2							
21	S70 090 130	Motor base	W634069Z01	1	1							

*: Not illustrated

PEHD-P1.6EAH, PEAD-P1.6EA, PEHD-P2EAH, PEAD-P2EA
 PEHD-P2.5EAH, PEAD-P2.5EA, PEHD-P3EAH, PEAD-P3EA
 PEHD-P4EAH, PEAD-P4EA, PEHD-P5EAH, PEAD-P5EA
 PEHD-P6EAH, PEAD-P6EA

CONTROL BOX PARTS

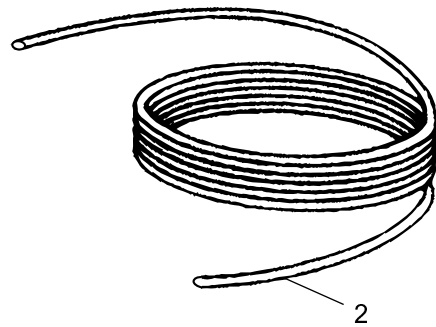
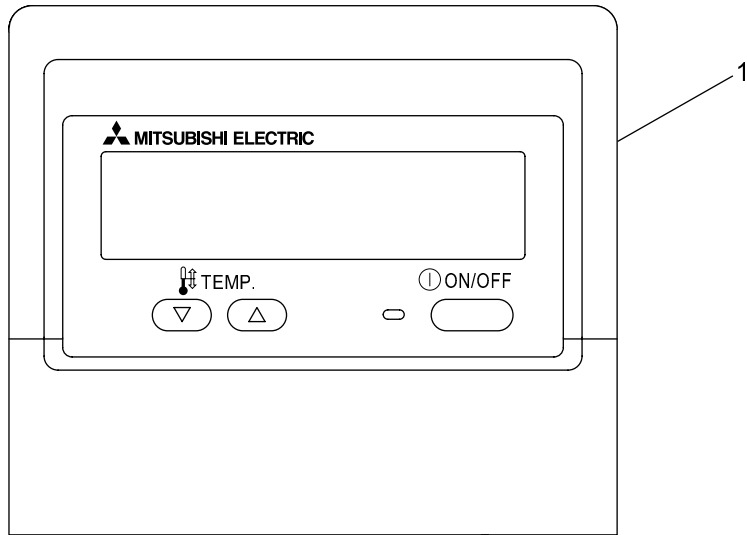


No.	Part No.	Part Name	Drawing No.	Qt'y/set						Spec.
				PEAD-P1.6EA	PEHD-P1.6EAH	PEAD-P2EA	PEHD-P2EAH	PEAD-P2.5EA	PEHD-P2.5EAH	
1	S70 979 717	Terminalbed	P436110X01	1	2	1	2	1	2	< TB4 >
2	S70 435 717	Terminalbed	BA73S950H02	1	1	1	1	1	1	< TB5 >
3	S70 E00 313	P.W.B DENGEN-E	P718898X01	1	1	1	1	1	1	
4	S70 274 215	Start relay	P421221X01		2		2		2	LY1F< 88H1,2 >
5	S70 070 202	Thermistor	P425455X01	1	1	1	1	1	1	< TH1 >
6	S70 080 202	Thermistor	P425459X02	1	1	1	1	1	1	< TH2 >
7	S70 090 202	Thermistor	P425458X02	1	1	1	1	1	1	< TH5 >
8	S70 011 310	P.W.B	P718899X02	1	1					
9	S70 012 310	P.W.B	P718900X02			1	1			
10	S70 013 310	P.W.B	P718901X02					1	1	

No.	Part No.	Part Name	Drawing No.	Qt'y/set								Spec.
				PEAD- P3EA	PEHD- P3EHA	PEAD- P4EA	PEHD- P4EHA	PEAD- P5EA	PEHD- P5EHA	PEAD- P6EA	PEHD- P6EHA	
1	S70 979 317	Terminalbed	P436110X01	1	2	1	2	1	2	1	2	< TB4 >
2	S70 435 717	Terminalbed	BA73S950H02	1	1	1	1	1	1	1	1	< TB5 >
3	S70 E00 313	P.W.B DENGEN-E	P718898X01	1	1	1	1	1	1	1	1	
4	S70 274 215	Start relay	P421221X01		2		2		2		2	LY1F< 88H1,2>
5	S70 070 202	Thermistor	P425455X01	1	1	1	1	1	1	1	1	< TH1 >
6	S70 080 202	Thermistor	P425459X02	1	1	1	1	1	1	1	1	< TH2 >
7	S70 090 202	Thermistor	P425458X02	1	1	1	1	1	1	1	1	< TH5 >
8	S70 014 310	P.W.B	P718902X02	1	1							
9	S70 015 310	P.W.B	P718903X02			1	1					
10	S70 016 310	P.W.B	P718904X02					1	1			
11	S70 017 310	P.W.B	P718905X02							1	1	

PEHD-P1.6EAH, PEAD-P1.6EA, PEHD-P2EAH, PEAD-P2EA
 PEHD-P2.5EAH, PEAD-P2.5EA, PEHD-P3EAH, PEAD-P3EA
 PEHD-P4EAH, PEAD-P4EA, PEHD-P5EAH, PEAD-P5EA
 PEHD-P6EAH, PEAD-P6EA

ELECTRICAL PARTS



No.	Part No.	Part Name	Drawing No.	Qt'y/set								Spec.
				PEAD-P3EA	PEHD-P3EHA	PEAD-P4EA	PEHD-P4EHA	PEAD-P5EA	PEHD-P5EHA	PEAD-P6EA	PEHD-P6EHA	
1	S70 030 713	Remote controller	W267102G13	1	1	1	1	1	1	1	1	MA Remo-con
2	S70 030 305	Remote controller cable	W873334G05	1	1	1	1	1	1	1	1	10 m

No.	Part No.	Part Name	Drawing No.	Qt'y/set								Spec.
				PEAD-P1.6EA	PEHD-P1.6EAH	PEAD-P2EA	PEHD-P2EAH	PEAD-P2.5EA	PEHD-P2.5EAH			
1	S70 030 713	Remote controller	W267102G13	1	1	1	1	1	1			MA Remo-con
2	S70 030 305	Remote controller cable	W873334G05	1	1	1	1	1	1			10 m