

TECHNICAL & SERVICE MANUAL

Series SLH/SL Ceiling Cassettes

Indoor unit
[Model names]

[Service Ref.]

SLH-1AR

SLH-1AR.TH
SLH-1AR₁.TH

SLH-1.6AR

SLH-1.6AR.TH
SLH-1.6AR₁.TH

SLH-2AR

SLH-2AR.TH
SLH-2AR₁.TH

SL-1AR

SL-1AR.TH
SL-1AR.TH-T

SL-1.6AR

SL-1.6AR.TH
SL-1.6AR.TH-T

SL-2AR

SL-2AR.TH
SL-2AR.TH-T

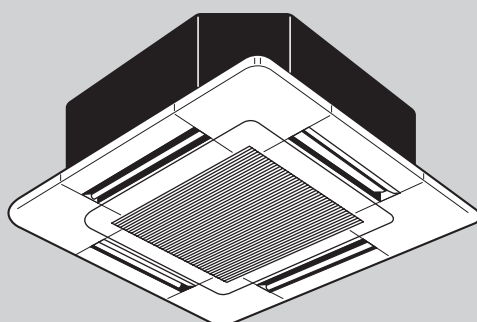
Revision:

- SLH-1AR₁.TH, SLH-1.6AR₁.TH and SLH-2AR₁.TH are added in REVISED EDITION-B.
- Please void OC280 REVISED EDITION-A.
- This manual does not cover the following outdoor units. When servicing them, please refer to the service manual No.OC282 REVISED EDITION-B and this manual in a set.
SUH-1VR.TH, SUH-1.6VR₂.TH, SUH-2VR₁.TH, SUH-2VR₂.TH, SU-1VR.TH, SU-1.6VR₂.TH, SU-2VR₁.TH, SU-1VR.TH-T, SU-1.6VR₂.TH-T, SU-2VR₁.TH-T

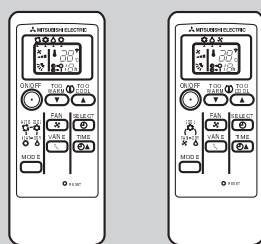
[For SLH- • AR₁.TH]

NOTE:

This service manual describes only for the indoor unit and the connected outdoor unit of SUH series. In PUMY series, refer to the service manual outdoor unit and "R-CONVERTER UNIT" for PUMY series.



INDOOR UNIT



REMOTE CONTROLLER

SLH-1AR	SL-1AR
SLH-1.6AR	SL-1.6AR
SLH-2AR	SL-2AR

CONTENTS

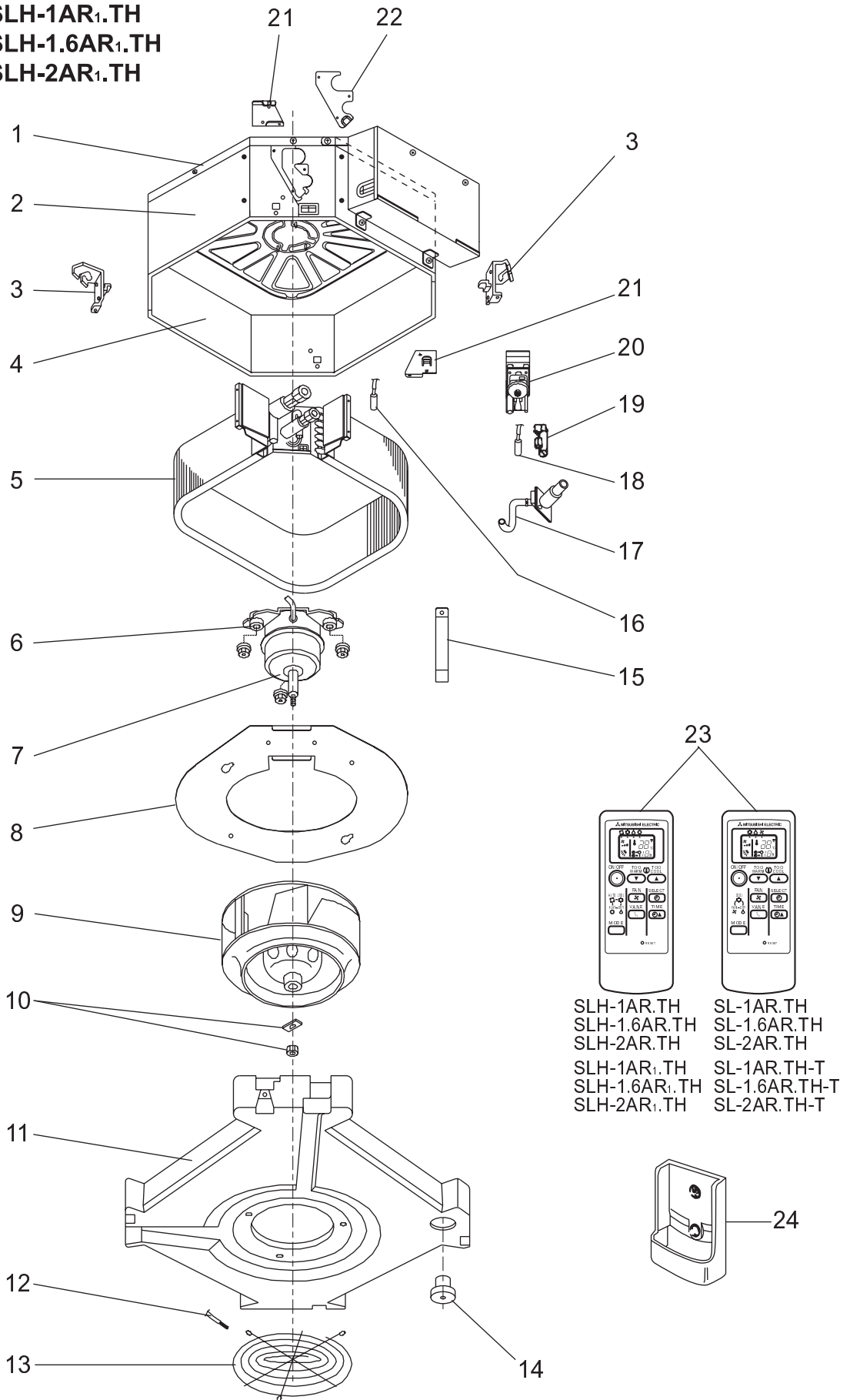
1. TECHNICAL CHANGE	2
2. PART NAMES AND FUNCTIONS	2
3. SPECIFICATIONS	4
4. OUTLINES AND DIMENSIONS	34
5. WIRING DIAGRAM	36
6. REFRIGERANT SYSTEM DIAGRAM	39
7. DATA	43
8. MICROPROCESSOR CONTROL	47
9. TROUBLESHOOTING	56
10. 4-WAY AIR FLOW SYSTEM	63
11. DISASSEMBLY PROCEDURE	65
12. PARTS LIST	68

FUNCTIONAL PARTS

SLH-1AR.TH SLH-1AR_i.TH
 SLH-1.6AR.TH SLH-1.6AR_i.TH
 SLH-2AR.TH SLH-2AR_i.TH

SL-1AR.TH
 SL-1.6AR.TH
 SL-2AR.TH

SL-1AR.TH-T
 SL-1.6AR.TH-T
 SL-2AR.TH-T



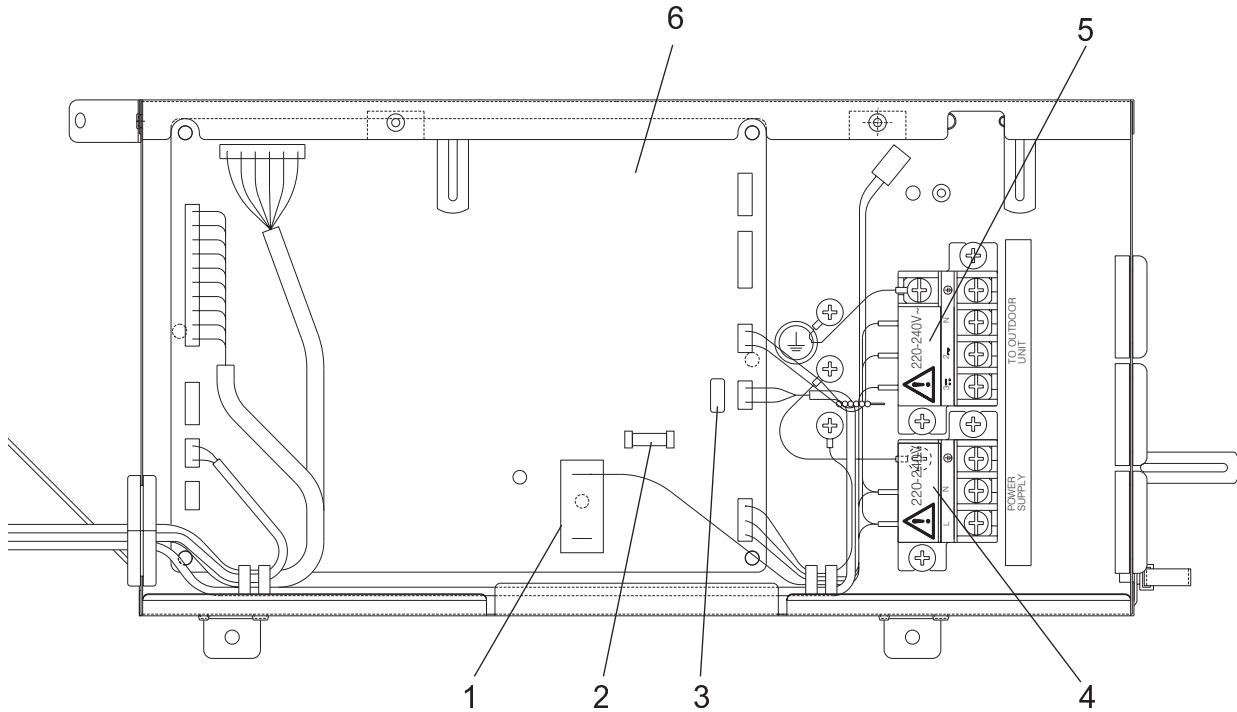
SLH-1AR.TH	SL-1AR.TH
SLH-1.6AR.TH	SL-1.6AR.TH
SLH-2AR.TH	SL-2AR.TH
SLH-1AR _i .TH	SL-1AR.TH-T
SLH-1.6AR _i .TH	SL-1.6AR.TH-T
SLH-2AR _i .TH	SL-2AR.TH-T



No.	Parts No.	Parts name	Specification	Q'ty/set						Remarks (Drawing No.)	Wiring Diagram Symbol	Recom- mended Q'ty	Price	
				SLH-			SL-						Unit	Amount
				1	1.6	2	1	1.6	2					
				AR.TH			AR.TH							
				AR.TH			AR.TH-T							
1	E07 104 290	BASE		1	1	1	1	1	1					
2	E07 104 124	DRUM-1		1	1	1	1	1	1					
3	E07 104 808	LEG-1		2	2	2	2	2	2					
4	E07 105 124	DRUM-2		1	1	1	1	1	1					
5	E07 104 620	INDOOR HEAT EXCHANGER		1			1							
	E07 105 620	INDOOR HEAT EXCHANGER			1			1						
	E07 106 620	INDOOR HEAT EXCHANGER				1			1					
6	E07 104 105	MOTOR MOUNT		3	3	3	3	3	3	3PCS/SET				
7	E07 104 300	INDOOR FAN MOTOR	PK6V11-LA	1			1				MF			
	E07 105 300	INDOOR FAN MOTOR	PK6V21-LA		1			1			MF			
	E07 106 300	INDOOR FAN MOTOR	PK6V21-LB			1			1		MF			
8	E07 104 816	FLAT PLATE		1	1	1	1	1	1					
9	E07 104 502	TURBO FAN		1	1	1	1	1	1					
10	E07 104 097	SPL WASHER		1	1	1	1	1	1					
11	E07 104 700	DRAIN PAN		1	1	1	1	1	1					
12	E07 104 308	ROOM TEMPERATURE THERMISTOR		1	1	1	1	1	1		RT11			
13	E07 104 520	FAN GUARD		1	1	1	1	1	1					
14	E07 104 524	DRAIN PLUG		1	1	1	1	1	1					
15	E07 104 648	COIL SUPPORT		1	1	1	1	1	1					
16	E07 104 307	INDOOR COIL THERMISTOR		1	1	1	1	1	1		RT12			
17	E07 104 702	DRAIN HOSE		1	1	1	1	1	1					
18	E07 104 266	DRAIN SENSOR		1	1	1	1	1	1		DS			
19	E07 104 241	SENSOR HOLDER		1	1	1	1	1	1					
20	E07 104 355	DRAIN PUMP		1	1	1	1	1	1		DP			
21	E07 104 809	LEG-2		2	2	2	2	2	2					
22	E07 104 006	COVER (DRUM)		1	1	1	1	1	1					
23	E07 107 426	WIRELESS REMOTE CONTROLLER		1	1	1					W.R			
	E07 104 426	WIRELESS REMOTE CONTROLLER					1	1	1		W.R			
24	E02 527 083	REMOTE CONTROLLER HOLDER		1	1	1	1	1	1					

ELECTRICAL PARTS

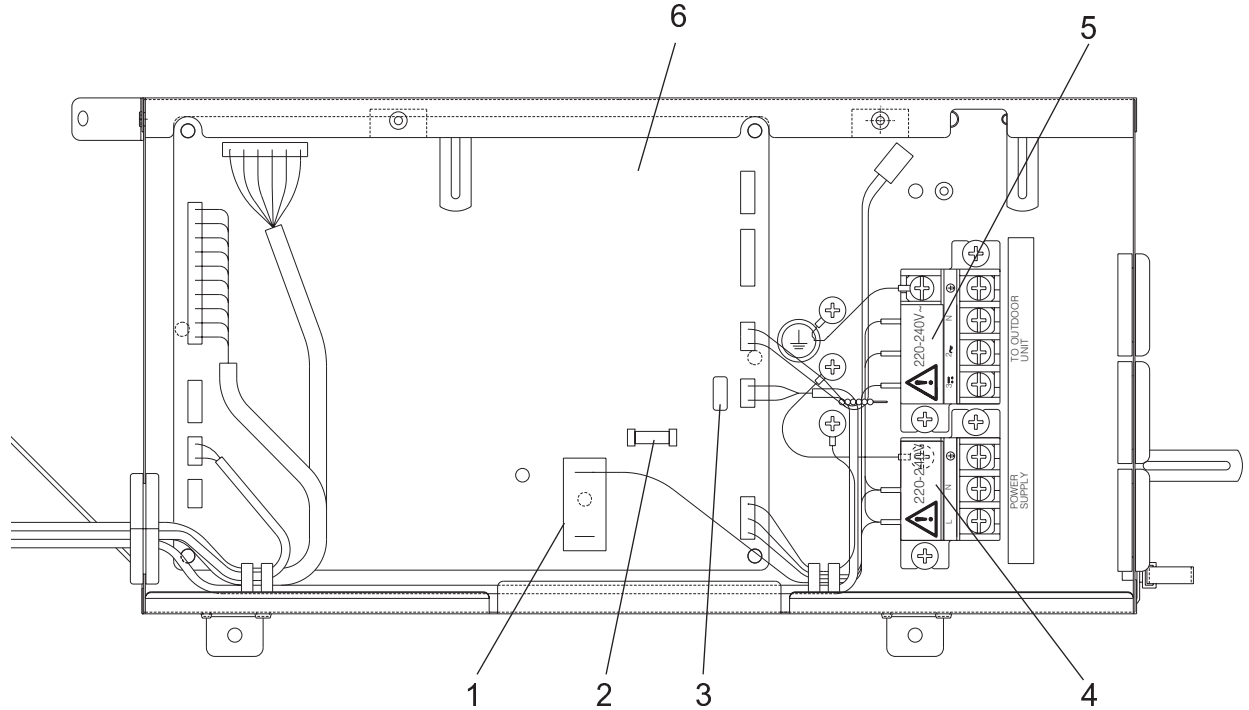
SLH-1AR.TH SLH-1AR₁.TH
 SLH-1.6AR.TH SLH-1.6AR₁.TH
 SLH-2AR.TH SLH-2AR₁.TH



No.	Parts No.	Parts name	Specification	Q'ty/set						Remarks (Drawing No.)	Wiring Diagram Symbol	Recom- mended Q'ty	Price	
				SLH-									Unit	Amount
				AR.TH			AR ₁ .TH							
1	E02 138 340	COMPRESSOR CONTACTOR		1	1	1	1	1	1		52C			
2	E02 127 382	FUSE	250V 3.15A	1	1	1	1	1	1		FUSE			
3	E02 661 385	VARISTOR		1	1	1	1	1	1		ZNR1,2			
4	E02 367 377	TERMINAL BLOCK		1	1	1	1	1	1	3P	TB			
5	E02 257 375	TERMINAL BLOCK		1	1	1	1	1	1	4P	TB			
6	E07 107 447	INDOOR CONTROLLER BOARD		1							I.B			
	E07 108 447	INDOOR CONTROLLER BOARD			1						I.B			
	E07 109 447	INDOOR CONTROLLER BOARD				1					I.B			
	E07 133 447	INDOOR CONTROLLER BOARD					1				I.B			
	E07 134 447	INDOOR CONTROLLER BOARD						1			I.B			
	E07 135 447	INDOOR CONTROLLER BOARD							1		I.B			

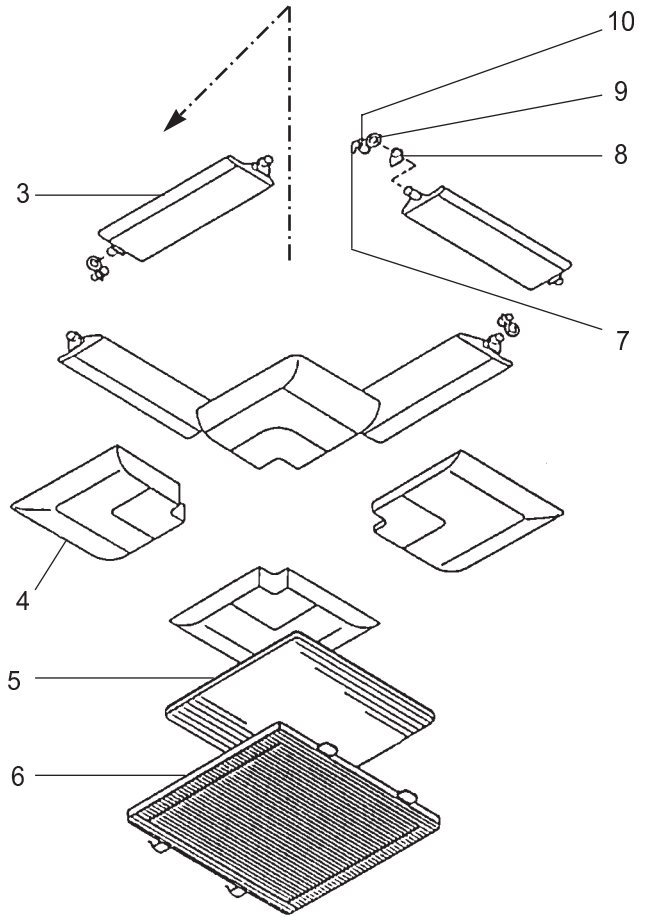
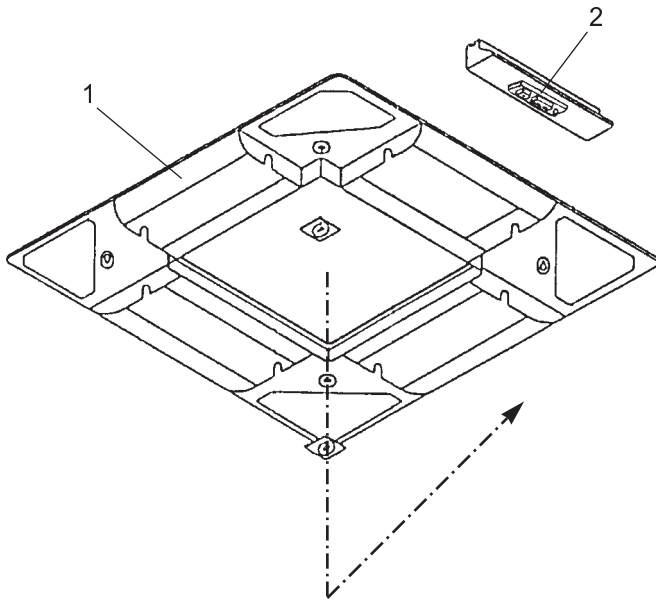
ELECTRICAL PARTS

SL-1AR.TH SL-1AR.TH-T
 SL-1.6AR.TH SL-1.6AR.TH-T
 SL-2AR.TH SL-2AR.TH-T



No.	Parts No.	Parts name	Specification	Q'ty/set			Remarks (Drawing No.)	Wiring Diagram Symbol	Recom- mended Q'ty	Price	
				1	1.6	2				Unit	Amount
				SL- AR.TH AR.TH-T							
1	E02 138 340	COMPRESSOR CONTACTOR		1	1	1		52C			
2	E02 127 382	FUSE	250V 3.15A	1	1	1		FUSE			
3	E02 661 385	VARISTOR		1	1	1		ZNR1,2			
4	E02 367 377	TERMINAL BLOCK		1	1	1	3P	TB			
5	E02 229 375	TERMINAL BLOCK		1	1	1	4P	TB			
6	E07 104 447	INDOOR CONTROLLER BOARD		1				I.B			
	E07 105 447	INDOOR CONTROLLER BOARD			1			I.B			
	E07 106 447	INDOOR CONTROLLER BOARD				1		I.B			

PANEL PARTS
SLP-2AL
SLP-2AL-T



No.	Parts No.	Parts name	Specification	Q'ty/set	Remarks (Drawing No.)	Wiring Diagram Symbol	Recom- mended Q'ty	Price	
				SLP-2AL SLP-2AL-T				Unit	Amount
1	E07 103 003	AIR OUTLET GRILLE		1					
2	E07 103 317	WIRELSS REMOTE CONTROL BOARD		1		W.B			
3	E07 103 037	AUTO VANE		4					
4	E07 103 975	CORNER PANEL		4					
5	E07 103 100	AIR FILTER		1					
6	E07 103 010	INTAKE GRILLE		1					
7	E07 103 303	VANE MOTOR		4		MV			
8	E07 103 044	VANE BUSH		8					
9	E07 103 031	GEAR (V)		4					
10	E07 103 032	GEAR (M)		4					

Mr. SLIM™

 **mitsubishi electric corporation**

HEAD OFFICE : MITSUBISHI DENKI BLDG., 2-2-3, MARUNOUCHI, CHIYODA-KU, TOKYO 100-8310, JAPAN
