

# TECHNICAL & SERVICE MANUAL

## Series SEH/SE Ceiling Concealed

Indoor unit  
[Model names]

SEH-1.6AR

SEH-2AR

SEH-2.5AR

SE-1.6AR

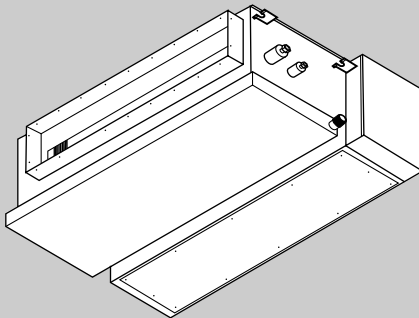
SE-2AR

SE-2.5AR

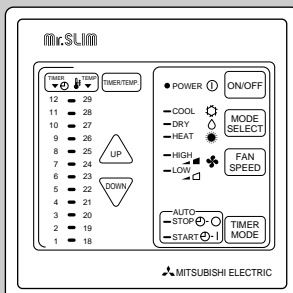
[Service Ref.]

**SEH-1.6AR.TH  
SEH-1.6AR<sub>1</sub>.TH  
SEH-2AR.TH  
SEH-2.5AR.TH  
SE-1.6AR.TH  
SE-1.6AR<sub>1</sub>.TH  
SE-1.6AR.TH-T  
SE-1.6AR<sub>1</sub>.TH-T  
SE-2AR.TH  
SE-2AR.TH-T  
SE-2.5AR.TH  
SE-2.5AR.TH-T**

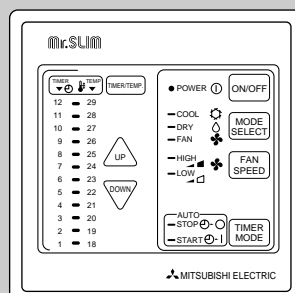
- New specification table has been added on page 11 for the indoor unit of 60Hz power supply corresponding to multi type outdoor units.
- Please void OC281 REVISED EDITION-A.
- This manual does not cover the following outdoor units. When servicing them, please refer to the service manual No.OC282 REVISED EDITION-B and this manual in a set.  
 SUH-1.6VR.TH, SUH-1.6VR2.TH,  
 SUH-2VR.TH, SUH-2VR<sub>1</sub>.TH,  
 SUH-2VR<sub>2</sub>.TH,  
 SUH-2.5VR.TH,  
 SU-1.6NR.TH,  
 SU-2NR.TH,  
 SU-2.5NR.TH,  
 SU-1.6VR.TH, SU-1.6VR2.TH,  
 SU-2VR.TH, SU-2VR<sub>1</sub>.TH,  
 SU-2.5VR.TH,  
 SU-1.6VR.TH-T, SU-1.6VR2.TH-T,  
 SU-2VR.TH-T, SU-2VR<sub>1</sub>.TH-T,  
 SU-2.5VR.TH-T



INDOOR UNIT



SEH-1.6, 2, 2.5AR.TH  
SEH-1.6AR<sub>1</sub>.TH



SE-1.6, 2, 2.5AR.TH  
SE-1.6AR<sub>1</sub>.TH  
SE-1.6, 2, 2.5AR.TH-T  
SE-1.6AR<sub>1</sub>.TH-T

REMOTE CONTROLLER

## CONTENTS

1. TECHNICAL CHANGE .....	2
2. PART NAMES AND FUNCTIONS .....	2
3. SPECIFICATIONS.....	5
4. OUTLINES AND DIMENSIONS.....	53
5. WIRING DIAGRAM .....	55
6. REFRIGERANT SYSTEM DIAGRAM .....	57
7. DATA .....	63
8. MICROPROCESSOR CONTROL.....	72
9. TROUBLESHOOTING .....	78
10. DISASSEMBLY PROCEDURE .....	87
11. PARTS LIST .....	90
12. OPTIONAL PARTS .....	Back cover

# 1

## TECHNICAL CHANGE

DSAR(SURGE ABSORBER) has been added to the products which have been manufactured since April 2000.

- Chang of WIRING DIAGRAM (Page 55, 56)
- Addition of service parts (Page 91, 93)

# 2

## PART NAMES AND FUNCTIONS

### ● Indoor Unit

SEH-1.6AR.TH

SEH-2AR.TH

SEH-2.5AR.TH

SEH-1.6AR<sub>1</sub>.TH

SE-1.6AR.TH

SE-2AR.TH

SE-2.5AR.TH

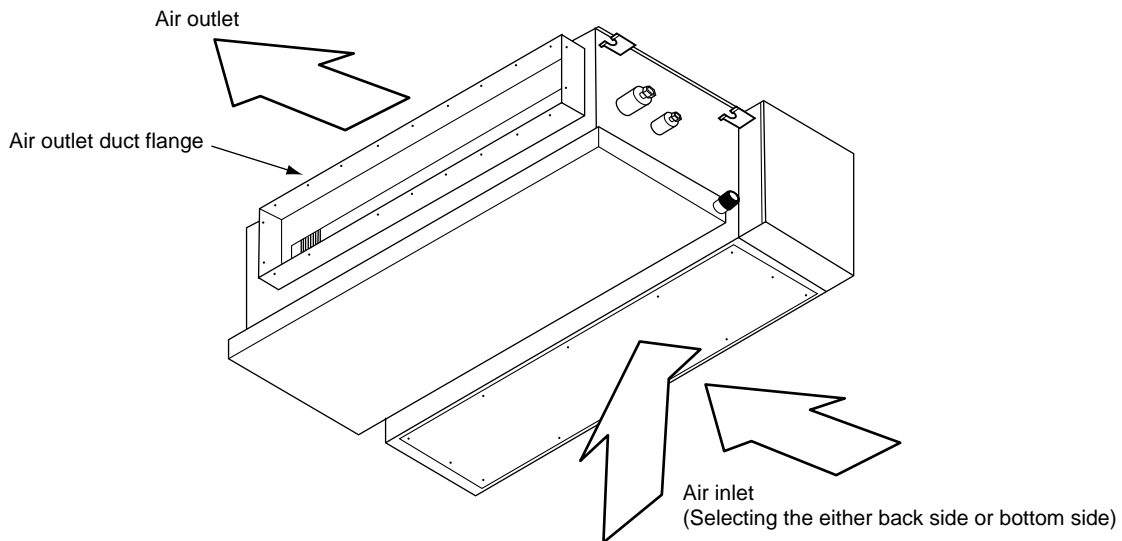
SE-1.6AR<sub>1</sub>.TH

SE-1.6AR.TH-T

SE-2AR.TH-T

SE-2.5AR.TH-T

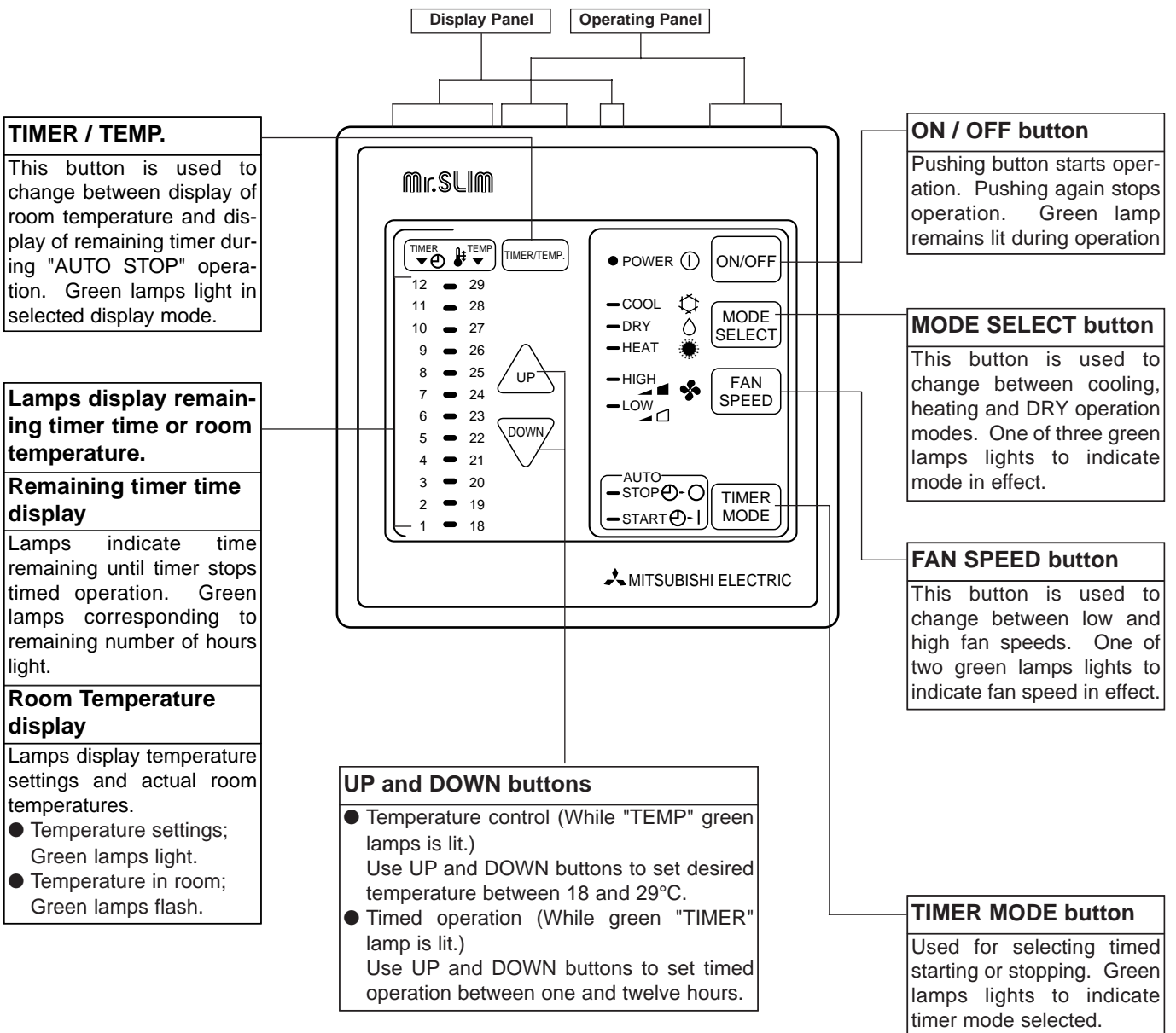
SE-1.6AR<sub>1</sub>.TH-T



● Remote controller

SEH-1.6AR.TH    SEH-2AR.TH    SEH-2.5AR.TH  
 SEH-1.6AR<sub>1</sub>.TH

Settings remain in effect until changed.  
 Air conditioner can be operated by simply pushing ON /OFF button once settings have been made.



(Example display readings are for explanations only ; actual display readings will differ.)

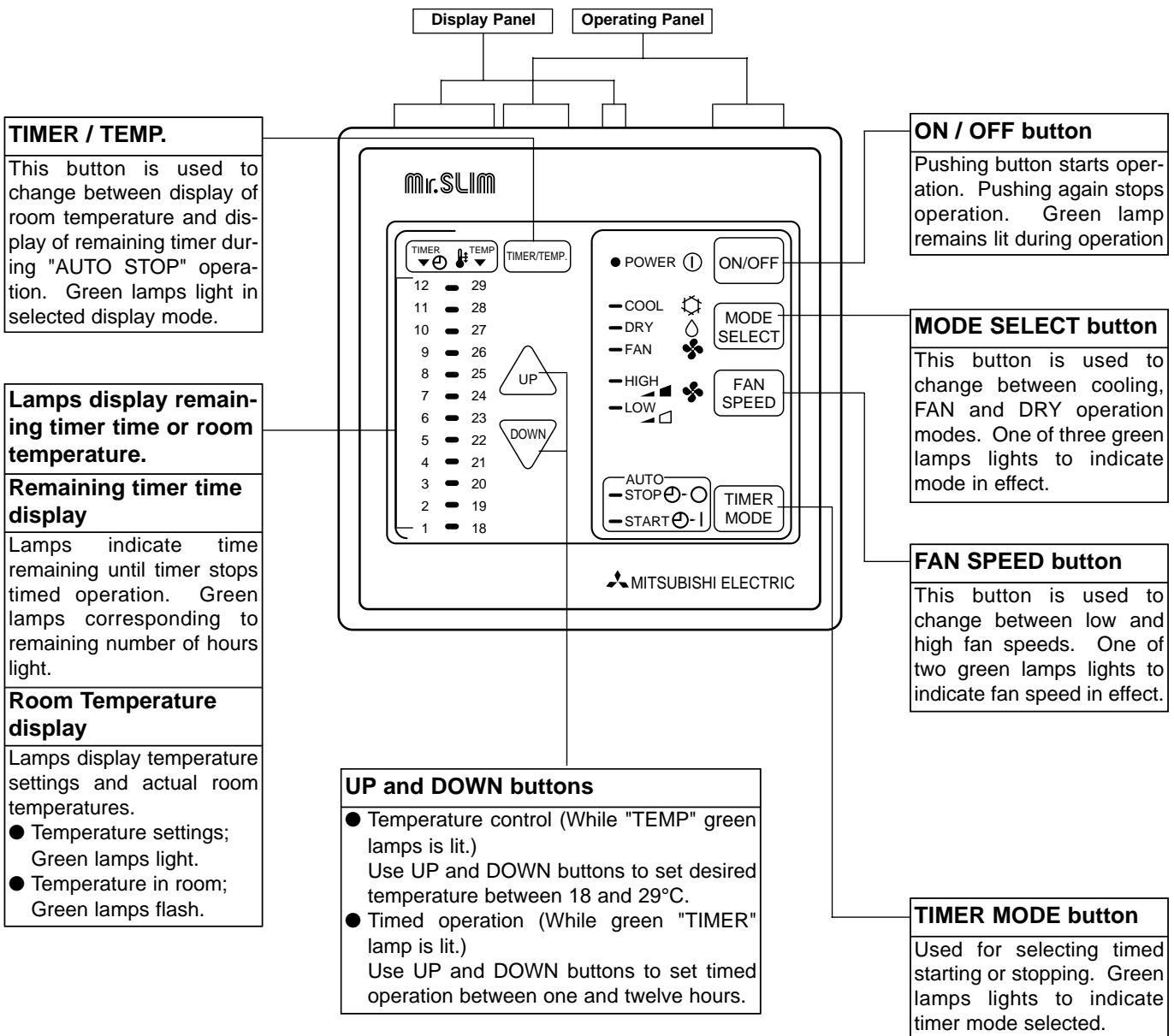
**Attention :**

- Pushing UP and Down buttons together for more than two seconds will initiate "trial run" or "inspection" mode. Avoid pushing these buttons simultaneously during normal operation. Push ON / OFF button to cancel trial run or inspection mode if initiated by accident.
- All green lamps turn off when air conditioner is stopped.
- Avoid operation of buttons with fingernails or other sharp objects. Sharp objects may scratch operating panel.

● Remote controller

- SE-1.6AR.TH      SE-2AR.TH      SE-2.5AR.TH
- SE-1.6AR<sub>1</sub>.TH
- SE-1.6AR.TH-T    SE-2AR.TH-T    SE-2.5AR.TH-T
- SE-1.6AR<sub>1</sub>.TH-T

Settings remain in effect until changed.  
Air conditioner can be operated by simply pushing ON /OFF button once settings have been made.



(Example display readings are for explanations only ; actual display readings will differ.)

**Attention :**

- Pushing UP and Down buttons together for more than two seconds will initiate "trial run" or "inspection" mode. Avoid pushing these buttons simultaneously during normal operation. Push ON / OFF button to cancel trial run or inspection mode if initiated by accident.
- All green lamps turn off when air conditioner is stopped.
- Avoid operation of buttons with fingernails or other sharp objects. Sharp objects may scratch operating panel.

## 3

## SPECIFICATIONS

Service Ref.		Indoor unit		SEH-1.6AR.TH		SEH-1.6AR <sub>1</sub> .TH	
		Outdoor unit		SUH-1.6VR.TH		SUH-1.6VR <sub>2</sub> .TH	
Function				Cooling	Heating	Cooling	Heating
Power supply				Single phase, 220-240V, 50Hz			
Capacity	Capacity	kW		3.9-3.9	4.1-4.2	4.0-4.1	4.5-4.6
	Dehumidification	ℓ /h		1.7	—	1.6	—
	Air flow	m <sup>3</sup> /h		780		780	
Electrical data	Running current	A		7.0-7.3	6.4-6.8	7.5	7.1
	Power input	W		1460-1590	1350-1460	1600-1700	1510-1610
	Auxiliary heater	A(kW)		—	—	—	—
	Power factor	%		95-90	95-90	97-94	97-94
	Starting current	A		35-38		36-39	
	Compressor motor current	A		6.41-6.72	5.81-6.22	6.91-6.92	6.51-6.52
	Fan motor current	A		0.59-0.58		0.59-0.58	
Coefficient of performance(C.O.P)				2.67-2.45	3.04-2.88	2.50-2.41	2.98-2.86
Compressor	Model			RH-247VHAT		RH-277VHAT	
	Output	W		1200		1300	
	Winding resistance (at 20°C)	Ω		C-R:2.13 C-S:3.91		C-R : 1.80 C-S : 3.00	
Indoor fan motor	Model			PK6V19-EC			
	Winding resistance (at 20°C)	Ω		WHT-BLK :251.4 BLK-BLU :19.9 BLU-YLW :26.5 YLW-BRN :13.2 BRN-RED :50.0			
Outdoor fan motor	Model			RA6V40-EE		RA6V40-EF	
	Winding resistance (at 20°C)	Ω		WHT-BLK :130.4 BLK-RED :134.6		WHT-BLK :130.4 BLK-RED :134.6	
Dimensions	Indoor unit	Width	mm	1100			
		Height	mm	270			
		Depth	mm	700			
	Outdoor unit	Width	mm	850			
		Height	mm	605			
		Depth	mm	290			
Weight	Indoor unit		kg	35			
	Outdoor unit		kg	43			
Special remarks	Sound level (Hi)	Indoor unit	dB	35			
		Outdoor unit	dB	50			
	Fan speed (Hi)	Indoor unit	rpm	720-770			
		Outdoor unit	rpm	780-820			
	Fan speed regulator	Indoor unit		3			
		Outdoor unit		1			
	Refrigerant filling capacity(R-22)		kg	1.65		1.4	
	Refrigerant oil		ℓ	MS-56 × 0.52			
	Thermistor	RT11(at 25°C)	kΩ	10			
		RT12(at 25°C)	kΩ	10			
RT61(at 0°C)		kΩ	33.18				

NOTE:Test conditions

Cooling : Indoor D.B. 27°C W.B. 19°C Outdoor D.B. 35°C W.B. 24°C  
Heating : Indoor D.B. 20°C W.B. — Outdoor D.B. 7°C W.B. 6°C



Service Ref.		Indoor unit		SEH-2AR.TH		SEH-2.5AR.TH	
		Outdoor unit		SUH-2VR.TH SUH-2VR1.TH SUH-2VR2.TH		SUH-2.5VR.TH	
Function				Cooling	Heating	Cooling	Heating
Power supply				Single phase, 220-240V, 50Hz		Single phase, 220-240V, 50Hz	
Capacity	Capacity	kW	5.3-5.4	5.7-5.8	6.6-6.7	6.9-7.0	
	Dehumidification	ℓ /h	2.1	—	3.0	—	
	Air flow	m³/h	1020		1200		
Electrical data	Running current	A	10.4-9.9	9.4-9.1	13.5-12.6	12.3-11.8	
	Power input	W	2270-2330	2050-2110	2950-2950	2680-2750	
	Auxiliary heater	A(kW)	—	—	—	—	
	Power factor	%	99-97	99-97	99-97	99-97	
	Starting current	A	52-58		59		
	Compressor motor current	A	9.72-9.27	8.72-8.47	12.55-11.74	11.35-10.94	
	Fan motor current	A	0.68-0.63		0.95-0.86		
Coefficient of performance(C.O.P)			2.33-2.32	2.78-2.75	2.10-2.14	2.57-2.55	
Compressor	Model		NH-38VMDT		NH-47VMDT		
	Output	W	1700		2200		
	Winding resistance (at 20°C)	Ω	C-R:1.07 C-S:2.26		C-R :0.96 C-S :2.07		
Indoor fan motor	Model		PK6V32-EC		PK6V50-EC		
	Winding resistance (at 20°C)	Ω	WHT-BLK :161.9 BLK-BLU : 50.3 BLU-YLW :18.7 YLW-BRN :8.0 BRN-RED :39.2		WHT-BLK :101.1 BLK-BLU :56.1 BLU-YLW :14.7 YLW-BRN :6.7 BRN-RED :28.2		
Outdoor fan motor	Model		RA6V50-OF		RA6V85-AA		
	Winding resistance (at 20°C)	Ω	WHT-BLK :116.4 BLK-RED :111		WHT-BLK :62.7 BLK-YLW :30.2 YLW-RED :62.9		
Dimensions	Indoor unit	Width	mm	1100		1100	
		Height	mm	270		270	
		Depth	mm	700		700	
	Outdoor unit	Width	mm	850		870	
		Height	mm	605		850	
		Depth	mm	290		295	
Weight	Indoor unit	kg	35		35		
	Outdoor unit	kg	59		72		
Special remarks	Sound level (Hi)	Indoor unit	dB	39		43	
		Outdoor unit	dB	52		53	
	Fan speed (Hi)	Indoor unit	rpm	810-850		860-890	
		Outdoor unit	rpm	810-845		720-750	
	Fan speed regulator	Indoor unit		3		3	
		Outdoor unit		1		2	
	Refrigerant filling capacity(R-22)	kg	1.8		2.4		
	Refrigerant oil	ℓ	MS-32(N-1) × 1.2		MS-32(N-1) × 1.2		
	Thermistor	RT11(at 25°C)	kΩ	10		10	
		RT12(at 25°C)	kΩ	10		10	
RT61(at 0°C)		kΩ	33.18		33.18		

NOTE:Test conditions

Cooling : Indoor D.B. 27°C W.B. 19°C Outdoor D.B. 35°C W.B. 24°C  
 Heating : Indoor D.B. 20°C W.B. — Outdoor D.B. 7°C W.B. 6°C



Model		Indoor unit	SE -1.6AR.TH SE -1.6AR1.TH	SE -1.6AR.TH SE -1.6AR.TH-T	
		Outdoor unit	SU -1.6NR.TH	SU -1.6VR.TH SU -1.6VR.TH-T	
Function			Cooling		
Power supply			Single phase, 220V, 60Hz	Single phase, 220-240V, 50Hz	
Capacity	Capacity	W	3800	4000	
	Dehumidification	ℓ /h	1.5	1.6	
	Air flow	m³/h	780		
Electrical data	Running current	A	6.9	7.0-6.8	
	Power input	W	1500	1490-1550	
	Power factor	%	99	97-95	
	Starting current	A	36	35-38	
	Compressor motor current	A	6.18	6.41-6.20	
	Fan motor current	A	0.72	0.59-0.60	
Coefficient of performance(C.O.P)			2.53	2.68-2.58	
Compressor	Model		RH-207NHDT	RH-247VHAT	
	Output	W	1000	1200	
	Winding resistance (at 20°C)	Ω	C-R:1.68 C-S:2.78	C-R:2.13 C-S:3.91	
Indoor fan motor	Model		PK6V19-ED		
	Winding resistance (at 20°C)	Ω	WHT-BLK :251.4 BLK-BLU : 19.9 BLU-YLW :26.5 YLW-RED :63.2		
Outdoor fan motor	Model		RA6V40-EE		
	Winding resistance (at 20°C)	Ω	WHT-BLK :130.4 BLK-RED :134.6		
Dimensions	Indoor unit	Width	mm	1100	
		Height	mm	270	
		Depth	mm	700	
	Outdoor unit	Width	mm	850	
		Height	mm	605	
		Depth	mm	290	
Weight	Indoor unit	kg	35		
	Outdoor unit	kg	38		
Special remarks	Sound level (Hi)	Indoor unit	dB	35	
		Outdoor unit	dB	51	50
	Fan speed (Hi)	Indoor unit	rpm	740	720-770
		Outdoor unit	rpm	820	780-820
	Fan speed regulator	Indoor unit		2	
		Outdoor unit		1	
	Refrigerant filling capacity(R-22)	kg	0.9		
	Refrigerant oil	ℓ	MS-56 × 0.52		
	Thermistor	RT11(at 25°C)	kΩ	10	
RT12(at 25°C)		kΩ	10		
RT61(at 0°C)		kΩ	33.18		

NOTE : Test conditions (JIS)

Cooling : Indoor D.B. 27°C W.B. 19°C

Outdoor D.B. 35°C W.B. 24°C



Model		Indoor unit		SE -1.6AR1.TH	SE -1.6AR1.TH-T
		Outdoor unit		SU -1.6VR2.TH	SU -1.6VR2.TH-T
Function				Cooling	
Power supply				Single phase, 220-240V, 50Hz	
Capacity	Capacity		W	4000-4100	
	Dehumidification		ℓ /h	1.5	
	Air flow		m³/h	780	
Electrical data	Running current		A	7.7	
	Power input		W	1640-1740	
	Power factor		%	97-94	
	Starting current		A	36-39	
	Compressor motor current		A	7.11-7.00	
	Fan motor current		A	0.59-0.60	
Coefficient of performance(C.O.P)				2.44-2.36	
Compressor	Model			RH-277VHAT	
	Output		W	1300	
	Winding resistance (at 20°C)		Ω	C-R : 1.80 C-S : 3.00	
Indoor fan motor	Model			PK6V19-ED	
	Winding resistance (at 20°C)		Ω	WHT-BLK :251.4 BLK-BLU : 19.9 BLU-YLW :26.5 YLW-RED :63.2	
Outdoor fan motor	Model			RA6V40-EF	
	Winding resistance (at 20°C)		Ω	WHT-BLK :130.4 BLK-RED :134.6	
Dimensions	Indoor unit	Width	mm	1100	
		Height	mm	270	
		Depth	mm	700	
	Outdoor unit	Width	mm	850	
		Height	mm	605	
		Depth	mm	290	
Weight	Indoor unit		kg	35	
	Outdoor unit		kg	38	
Special remarks	Sound level (Hi)	Indoor unit	dB	35	
		Outdoor unit	dB	50	
	Fan speed (Hi)	Indoor unit	rpm	720-770	
		Outdoor unit	rpm	780-820	
	Fan speed regulator	Indoor unit		2	
		Outdoor unit		1	
	Refrigerant filling capacity(R-22)		kg	0.9	
	Refrigerant oil		ℓ	MS-56 × 0.52	
	Thermistor	RT11(at 25°C)	kΩ	10	
		RT12(at 25°C)	kΩ	10	
RT61(at 0°C)		kΩ	33.18		

NOTE : Test conditions (JIS)

Cooling : Indoor D.B. 27°C W.B. 19°C

Outdoor D.B. 35°C W.B. 24°C



Service Ref.		Indoor unit		SE -2AR.TH		SE -2AR.TH-T	
		Outdoor unit		SU -2NR.TH		SU -2VR <sub>1</sub> .TH SU -2VR <sub>1</sub> .TH-T	
Function				Cooling			
Power supply				Single phase, 220V, 60Hz		Single phase, 220-240V, 50Hz	
Capacity	Capacity	W	5900		5600		
	Dehumidification	ℓ/h	2.6				
	Air flow	m <sup>3</sup> /h	1020				
Electrical data	Running current	A	11.5		10.4-10.2		
	Power input	W	2500		2250-2350		
	Power factor	%	99		98-96		
	Starting current	A	55		51-55		
	Compressor motor current	A	10.66		9.73-9.51		
	Fan motor current	A	0.84		0.67-0.69		
Coefficient of performance(C.O.P)				2.36		2.49-2.38	
Compressor	Model			NH-33NCDT		NH-38VMDT	
	Output	W	1500		1700		
	Winding resistance (at 20°C)	Ω	C-R:0.92 C-S:1.93		C-R:1.07 C-S:2.26		
Indoor fan motor	Model			PK6V32-ED			
	Winding resistance (at 20°C)	Ω	WHT-BLK :161.9 BLK-BLU : 50.3 BLU-YLW :18.7 YLW-RED :47.2				
Outdoor fan motor	Model			RA6V50-OF			
	Winding resistance (at 20°C)	Ω	WHT-BLK :116.4 BLK-RED :111				
Dimensions	Indoor unit	Width	mm	1100			
		Height	mm	270			
		Depth	mm	700			
	Outdoor unit	Width	mm	850			
		Height	mm	605			
		Depth	mm	290			
Weight	Indoor unit	kg	35				
	Outdoor unit	kg	55				
Special remarks	Sound level (Hi)	Indoor unit	dB	39			
		Outdoor unit	dB	53		52	
	Fan speed (Hi)	Indoor unit	rpm	890		810-850	
		Outdoor unit	rpm	860		810-845	
	Fan speed regulator	Indoor unit	2				
		Outdoor unit	1				
	Refrigerant filling capacity(R-22)	kg	1.65		1.6		
	Refrigerant oil	ℓ	MS-32(N-1) × 0.85		MS-32(N-1) × 1.2		
	Thermistor	RT11(at 25°C)	kΩ	10			
		RT12(at 25°C)	kΩ	10			
RT61(at 0°C)		kΩ	33.18				

NOTE : Test conditions (JIS)

Indoor D.B. 27°C W.B. 19°C Outdoor D.B. 35°C W.B. 24°C

Capacity	Capacity	W	5200	—
Electrical Data	Current	A	13.1	—
	Input	W	2850	—

NOTE : Test condition (SSA 385/386)

Indoor D.B. 29°C W.B. 19°C Outdoor D.B. 46°C W.B. 24°C

\* SSA 385/386 can be applied only to Saudi Arabia.



Service Ref.		Indoor unit		SE -2.5AR.TH		SE -2.5AR.TH SE -2.5AR.TH-T	
		Outdoor unit		SU -2.5NR.TH		SU -2.5VR.TH SU -2.5VR.TH-T	
Function				Cooling			
Power supply				Single phase, 220V, 60Hz		Single phase, 220-240V, 50Hz	
Capacity	Capacity	W	7000		6600		
	Dehumidification	ℓ /h	3.2				
	Air flow	m³/h	1200				
Electrical data	Running current	A	13.6		14.0-13.2		
	Power input	W	2920		3030-3050		
	Power factor	%	98		98-96		
	Starting current	A	56		59		
	Compressor motor current	A	12.52		13.11-12.26		
	Fan motor current	A	1.08		0.89-0.94		
Coefficient of performance(C.O.P)			2.40		2.18-2.16		
Compressor	Model		NH-38NBDT		NH-47VMDT		
	Output	W	1700		2200		
	Winding resistance (at 20°C)	Ω	C-R:0.83 C-S:1.83		C-R:0.96 C-S:2.07		
Indoor fan motor	Model		PK6V50-ED				
	Winding resistance (at 20°C)	Ω	WHT-BLK :101.1 BLK-BLU : 56.1 BLU-YLW :14.7 YLW-RED :34.9				
Outdoor fan motor	Model		RA6V60-AB				
	Winding resistance (at 20°C)	Ω	WHT-BLK :81.1 BLK-YLW :92.2 YLW-RED :102.2				
Dimensions	Indoor unit	Width	mm	1100			
		Height	mm	270			
		Depth	mm	700			
	Outdoor unit	Width	mm	850			
		Height	mm	605			
		Depth	mm	290			
Weight	Indoor unit	kg	35				
	Outdoor unit	kg	61				
Special remarks	Sound level (Hi)	Indoor unit	dB	43			
		Outdoor unit	dB	54	53		
	Fan speed (Hi)	Indoor unit	rpm	980			
		Outdoor unit	rpm	930	860-890		
	Fan speed regulator	Indoor unit		2			
		Outdoor unit		2			
	Refrigerant filling capacity(R-22)	kg	2.15				
	Refrigerant oil	ℓ	MS-32(N-1) × 1.2				
	Thermistor	RT11(at 25°C)	kΩ	10			
		RT12(at 25°C)	kΩ	10			
RT61(at 0°C)		kΩ	33.18				

NOTE : Test conditions (JIS)  
Indoor D.B. 27°C W.B. 19°C Outdoor D.B. 35°C W.B. 24°C

Capacity	Capacity	W	6100	—
Electrical Data	Current	A	16.2	—
	Input	W	3490	—

NOTE : Test condition (SSA 385/386)  
Indoor D.B. 29°C W.B. 19°C Outdoor D.B. 46°C W.B. 24°C  
\* SSA 385/386 can be applied only to Saudi Arabia.



Indoor model			SEH-1.6AR	SEH-2AR	SEH-2.5AR
Indoor unit power supply			Single phase 220V, 60Hz		
Capacity	Air flow(Hi)	m <sup>3</sup> /h	780	1,020	1,200
Electrical data	Fan motor current	A	0.26	0.34	0.45
Fan motor	Model		PK6V19-EC	PK6V32-EC	PK6V50-EC
	Winding resistance (at 20°C)	Ω	WHT-BLK :251.4 BLK-BLU :19.9 BLU-YLW :26.5 YLW-BRN :13.2 BRN-RED :50.0	WHT-BLK :161.9 BLK-BLU :50.3 BLU-YLW :18.7 YLW-BRN :8.0 BRN-RED :39.2	WHT-BLK :101.1 BLK-BLU :56.1 BLU-YLW :14.7 YLW-BRN :6.7 BRN-RED :28.2
Dimensions W X H X D		mm	1,100 X 270 X 700		
Weight		kg	35		
Special remarks	Sound level (Hi)	dB	35	39	43
	Fan speed (Hi)	rpm	740	890	980
	Fan speed regulator		2		
	Thermistor RT 11 (at 25°C)	kΩ	10		
	Thermistor RT 12 (at 25°C)	kΩ	10		

**PERFORMANCE DATA**  
**COOLING operation(220V, 50Hz)**  
**SEH-1.6AR / SUH-1.6VR**

CAPACITY : 3.9 kW INPUT : 1460 W SHF : 0.7

INDOOR		OUTDOOR DB(°C)															
		21				25				27				30			
DB(°C)	WB(°C)	Q	SHC	SHF	INPUT	Q	SHC	SHF	INPUT	Q	SHC	SHF	INPUT	Q	SHC	SHF	INPUT
21	18	4.58	2.38	0.52	1168	4.39	2.28	0.52	1226	4.21	2.19	0.52	1285	4.06	2.11	0.52	1343
21	20	4.78	1.91	0.40	1226	4.58	1.83	0.40	1299	4.45	1.78	0.40	1329	4.29	1.72	0.40	1387
22	18	4.58	2.57	0.56	1168	4.39	2.46	0.56	1226	4.21	2.36	0.56	1285	4.06	2.27	0.56	1343
22	20	4.78	2.10	0.44	1226	4.58	2.02	0.44	1299	4.45	1.96	0.44	1329	4.29	1.89	0.44	1387
22	22	4.97	1.59	0.32	1270	4.80	1.54	0.32	1351	4.68	1.50	0.32	1387	4.49	1.44	0.32	1445
23	18	4.58	2.75	0.60	1168	4.39	2.63	0.60	1226	4.21	2.53	0.60	1285	4.06	2.43	0.60	1343
23	20	4.78	2.29	0.48	1226	4.58	2.20	0.48	1299	4.45	2.13	0.48	1329	4.29	2.06	0.48	1387
23	22	4.97	1.79	0.36	1270	4.80	1.73	0.36	1351	4.68	1.68	0.36	1387	4.49	1.61	0.36	1445
24	18	4.58	2.93	0.64	1168	4.39	2.81	0.64	1226	4.21	2.70	0.64	1285	4.06	2.60	0.64	1343
24	20	4.78	2.48	0.52	1226	4.58	2.38	0.52	1299	4.45	2.31	0.52	1329	4.29	2.23	0.52	1387
24	22	4.97	1.99	0.40	1270	4.80	1.92	0.40	1351	4.68	1.87	0.40	1387	4.49	1.79	0.40	1445
24	24	5.23	1.46	0.28	1329	5.03	1.41	0.28	1402	4.91	1.38	0.28	1445	4.76	1.33	0.28	1518
25	20	4.78	2.68	0.56	1226	4.58	2.57	0.56	1299	4.45	2.49	0.56	1329	4.29	2.40	0.56	1387
25	22	4.97	2.19	0.44	1270	4.80	2.11	0.44	1351	4.68	2.06	0.44	1387	4.49	1.97	0.44	1445
25	24	5.23	1.67	0.32	1329	5.03	1.61	0.32	1402	4.91	1.57	0.32	1445	4.76	1.52	0.32	1518
26	18	4.58	3.30	0.72	1168	4.39	3.16	0.72	1226	4.21	3.03	0.72	1285	4.06	2.92	0.72	1343
26	20	4.78	2.87	0.60	1226	4.58	2.75	0.60	1299	4.45	2.67	0.60	1329	4.29	2.57	0.60	1387
26	22	4.97	2.39	0.48	1270	4.80	2.30	0.48	1351	4.68	2.25	0.48	1387	4.49	2.15	0.48	1445
26	24	5.23	1.88	0.36	1329	5.03	1.81	0.36	1402	4.91	1.77	0.36	1445	4.76	1.71	0.36	1518
26	26	5.38	1.29	0.24	1402	5.23	1.25	0.24	1475	5.15	1.24	0.24	1518	4.99	1.20	0.24	1562
27	18	4.58	3.48	0.76	1168	4.39	3.33	0.76	1226	4.21	3.20	0.76	1285	4.06	3.08	0.76	1343
27	20	4.78	3.06	0.64	1226	4.58	2.93	0.64	1299	4.45	2.85	0.64	1329	4.29	2.75	0.64	1387
27	22	4.97	2.59	0.52	1270	4.80	2.49	0.52	1351	4.68	2.43	0.52	1387	4.49	2.33	0.52	1445
27	24	5.23	2.09	0.40	1329	5.03	2.01	0.40	1402	4.91	1.97	0.40	1445	4.76	1.90	0.40	1518
27	26	5.38	1.51	0.28	1402	5.23	1.46	0.28	1475	5.15	1.44	0.28	1518	4.99	1.40	0.28	1562
28	18	4.58	3.67	0.80	1168	4.39	3.51	0.80	1226	4.21	3.37	0.80	1285	4.06	3.24	0.80	1343
28	20	4.78	3.25	0.68	1226	4.58	3.12	0.68	1299	4.45	3.02	0.68	1329	4.29	2.92	0.68	1387
28	22	4.97	2.78	0.56	1270	4.80	2.69	0.56	1351	4.68	2.62	0.56	1387	4.49	2.51	0.56	1445
28	24	5.23	2.30	0.44	1329	5.03	2.21	0.44	1402	4.91	2.16	0.44	1445	4.76	2.09	0.44	1518
28	26	5.38	1.72	0.32	1402	5.23	1.67	0.32	1475	5.15	1.65	0.32	1518	4.99	1.60	0.32	1562
29	18	4.58	3.85	0.84	1168	4.39	3.69	0.84	1226	4.21	3.54	0.84	1285	4.06	3.41	0.84	1343
29	20	4.78	3.44	0.72	1226	4.58	3.30	0.72	1299	4.45	3.20	0.72	1329	4.29	3.09	0.72	1387
29	22	4.97	2.98	0.60	1270	4.80	2.88	0.60	1351	4.68	2.81	0.60	1387	4.49	2.69	0.60	1445
29	24	5.23	2.51	0.48	1329	5.03	2.41	0.48	1402	4.91	2.36	0.48	1445	4.76	2.28	0.48	1518
29	26	5.38	1.94	0.36	1402	5.23	1.88	0.36	1475	5.15	1.85	0.36	1518	4.99	1.80	0.36	1562
30	18	4.58	4.03	0.88	1168	4.39	3.86	0.88	1226	4.21	3.71	0.88	1285	4.06	3.57	0.88	1343
30	20	4.78	3.63	0.76	1226	4.58	3.48	0.76	1299	4.45	3.38	0.76	1329	4.29	3.26	0.76	1387
30	22	4.97	3.18	0.64	1270	4.80	3.07	0.64	1351	4.68	3.00	0.64	1387	4.49	2.87	0.64	1445
30	24	5.23	2.72	0.52	1329	5.03	2.62	0.52	1402	4.91	2.56	0.52	1445	4.76	2.47	0.52	1518
30	26	5.38	2.15	0.40	1402	5.23	2.09	0.40	1475	5.15	2.06	0.40	1518	4.99	2.00	0.40	1562
31	18	4.58	4.22	0.92	1168	4.39	4.04	0.92	1226	4.21	3.88	0.92	1285	4.06	3.73	0.92	1343
31	20	4.78	3.82	0.80	1226	4.58	3.67	0.80	1299	4.45	3.56	0.80	1329	4.29	3.43	0.80	1387
31	22	4.97	3.38	0.68	1270	4.80	3.26	0.68	1351	4.68	3.18	0.68	1387	4.49	3.05	0.68	1445
31	24	5.23	2.93	0.56	1329	5.03	2.82	0.56	1402	4.91	2.75	0.56	1445	4.76	2.66	0.56	1518
31	26	5.38	2.37	0.44	1402	5.23	2.30	0.44	1475	5.15	2.27	0.44	1518	4.99	2.20	0.44	1562
32	18	4.58	4.40	0.96	1168	4.39	4.21	0.96	1226	4.21	4.04	0.96	1285	4.06	3.89	0.96	1343
32	20	4.78	4.01	0.84	1226	4.58	3.85	0.84	1299	4.45	3.73	0.84	1329	4.29	3.60	0.84	1387
32	22	4.97	3.58	0.72	1270	4.80	3.45	0.72	1351	4.68	3.37	0.72	1387	4.49	3.23	0.72	1445
32	24	5.23	3.14	0.60	1329	5.03	3.02	0.60	1402	4.91	2.95	0.60	1445	4.76	2.85	0.60	1518
32	26	5.38	2.58	0.48	1402	5.23	2.51	0.48	1475	5.15	2.47	0.48	1518	4.99	2.40	0.48	1562

**PERFORMANCE DATA**

**COOLING operation(220V, 50Hz)**

**SEH-1.6AR / SUH-1.6VR**

CAPACITY : 3.9 kW INPUT : 1460 W SHF : 0.7

		OUTDOOR DB(°C)											
INDOOR DB(°C)	INDOOR WB(°C)	35				40				46			
		Q	SHC	SHF	INPUT	Q	SHC	SHF	INPUT	Q	SHC	SHF	INPUT
21	18	3.82	1.99	0.52	1431	3.51	1.83	0.52	1518	3.24	1.68	0.52	1577
21	20	4.02	1.61	0.40	1489	3.74	1.50	0.40	1562	3.47	1.39	0.40	1650
22	18	3.82	2.14	0.56	1431	3.51	1.97	0.56	1518	3.24	1.81	0.56	1577
22	20	4.02	1.77	0.44	1489	3.74	1.65	0.44	1562	3.47	1.53	0.44	1650
22	22	4.25	1.36	0.32	1548	3.98	1.27	0.32	1635	3.71	1.19	0.32	1694
23	18	3.82	2.29	0.60	1431	3.51	2.11	0.60	1518	3.24	1.94	0.60	1577
23	20	4.02	1.93	0.48	1489	3.74	1.80	0.48	1562	3.47	1.67	0.48	1650
23	22	4.25	1.53	0.36	1548	3.98	1.43	0.36	1635	3.71	1.33	0.36	1694
24	18	3.82	2.45	0.64	1431	3.51	2.25	0.64	1518	3.24	2.07	0.64	1577
24	20	4.02	2.09	0.52	1489	3.74	1.95	0.52	1562	3.47	1.80	0.52	1650
24	22	4.25	1.70	0.40	1548	3.98	1.59	0.40	1635	3.71	1.48	0.40	1694
24	24	4.49	1.26	0.28	1606	4.21	1.18	0.28	1679	3.98	1.11	0.28	1752
25	20	4.02	2.25	0.56	1489	3.74	2.10	0.56	1562	3.47	1.94	0.56	1650
25	22	4.25	1.87	0.44	1548	3.98	1.75	0.44	1635	3.71	1.63	0.44	1694
25	24	4.49	1.44	0.32	1606	4.21	1.35	0.32	1679	3.98	1.27	0.32	1752
26	18	3.82	2.75	0.72	1431	3.51	2.53	0.72	1518	3.24	2.33	0.72	1577
26	20	4.02	2.41	0.60	1489	3.74	2.25	0.60	1562	3.47	2.08	0.60	1650
26	22	4.25	2.04	0.48	1548	3.98	1.91	0.48	1635	3.71	1.78	0.48	1694
26	24	4.49	1.61	0.36	1606	4.21	1.52	0.36	1679	3.98	1.43	0.36	1752
26	26	4.72	1.13	0.24	1664	4.45	1.07	0.24	1737	4.17	1.00	0.24	1810
27	18	3.82	2.90	0.76	1431	3.51	2.67	0.76	1518	3.24	2.46	0.76	1577
27	20	4.02	2.57	0.64	1489	3.74	2.40	0.64	1562	3.47	2.22	0.64	1650
27	22	4.25	2.21	0.52	1548	3.98	2.07	0.52	1635	3.71	1.93	0.52	1694
27	24	4.49	1.79	0.40	1606	4.21	1.68	0.40	1679	3.98	1.59	0.40	1752
27	26	4.72	1.32	0.28	1664	4.45	1.24	0.28	1737	4.17	1.17	0.28	1810
28	18	3.82	3.06	0.80	1431	3.51	2.81	0.80	1518	3.24	2.59	0.80	1577
28	20	4.02	2.73	0.68	1489	3.74	2.55	0.68	1562	3.47	2.36	0.68	1650
28	22	4.25	2.38	0.56	1548	3.98	2.23	0.56	1635	3.71	2.07	0.56	1694
28	24	4.49	1.97	0.44	1606	4.21	1.85	0.44	1679	3.98	1.75	0.44	1752
28	26	4.72	1.51	0.32	1664	4.45	1.42	0.32	1737	4.17	1.34	0.32	1810
29	18	3.82	3.21	0.84	1431	3.51	2.95	0.84	1518	3.24	2.72	0.84	1577
29	20	4.02	2.89	0.72	1489	3.74	2.70	0.72	1562	3.47	2.50	0.72	1650
29	22	4.25	2.55	0.60	1548	3.98	2.39	0.60	1635	3.71	2.22	0.60	1694
29	24	4.49	2.15	0.48	1606	4.21	2.02	0.48	1679	3.98	1.91	0.48	1752
29	26	4.72	1.70	0.36	1664	4.45	1.60	0.36	1737	4.17	1.50	0.36	1810
30	18	3.82	3.36	0.88	1431	3.51	3.09	0.88	1518	3.24	2.85	0.88	1577
30	20	4.02	3.05	0.76	1489	3.74	2.85	0.76	1562	3.47	2.64	0.76	1650
30	22	4.25	2.72	0.64	1548	3.98	2.55	0.64	1635	3.71	2.37	0.64	1694
30	24	4.49	2.33	0.52	1606	4.21	2.19	0.52	1679	3.98	2.07	0.52	1752
30	26	4.72	1.89	0.40	1664	4.45	1.78	0.40	1737	4.17	1.67	0.40	1810
31	18	3.82	3.52	0.92	1431	3.51	3.23	0.92	1518	3.24	2.98	0.92	1577
31	20	4.02	3.21	0.80	1489	3.74	3.00	0.80	1562	3.47	2.78	0.80	1650
31	22	4.25	2.89	0.68	1548	3.98	2.71	0.68	1635	3.71	2.52	0.68	1694
31	24	4.49	2.51	0.56	1606	4.21	2.36	0.56	1679	3.98	2.23	0.56	1752
31	26	4.72	2.08	0.44	1664	4.45	1.96	0.44	1737	4.17	1.84	0.44	1810
32	18	3.82	3.67	0.96	1431	3.51	3.37	0.96	1518	3.24	3.11	0.96	1577
32	20	4.02	3.37	0.84	1489	3.74	3.14	0.84	1562	3.47	2.92	0.84	1650
32	22	4.25	3.06	0.72	1548	3.98	2.86	0.72	1635	3.71	2.67	0.72	1694
32	24	4.49	2.69	0.60	1606	4.21	2.53	0.60	1679	3.98	2.39	0.60	1752
32	26	4.72	2.27	0.48	1664	4.45	2.13	0.48	1737	4.17	2.00	0.48	1810

**PERFORMANCE DATA**  
**COOLING operation(240V, 50Hz)**  
**SEH-1.6AR / SUH-1.6VR**

CAPACITY : 3.9 kW INPUT : 1590 W SHF : 0.7

INDOOR		OUTDOOR DB(°C)															
		21				25				27				30			
DB(°C)	WB(°C)	Q	SHC	SHF	INPUT	Q	SHC	SHF	INPUT	Q	SHC	SHF	INPUT	Q	SHC	SHF	INPUT
21	18	4.58	2.38	0.52	1272	4.39	2.28	0.52	1336	4.21	2.19	0.52	1399	4.06	2.11	0.52	1463
21	20	4.78	1.91	0.40	1336	4.58	1.83	0.40	1415	4.45	1.78	0.40	1447	4.29	1.72	0.40	1511
22	18	4.58	2.57	0.56	1272	4.39	2.46	0.56	1336	4.21	2.36	0.56	1399	4.06	2.27	0.56	1463
22	20	4.78	2.10	0.44	1336	4.58	2.02	0.44	1415	4.45	1.96	0.44	1447	4.29	1.89	0.44	1511
22	22	4.97	1.59	0.32	1383	4.80	1.54	0.32	1471	4.68	1.50	0.32	1511	4.49	1.44	0.32	1574
23	18	4.58	2.75	0.60	1272	4.39	2.63	0.60	1336	4.21	2.53	0.60	1399	4.06	2.43	0.60	1463
23	20	4.78	2.29	0.48	1336	4.58	2.20	0.48	1415	4.45	2.13	0.48	1447	4.29	2.06	0.48	1511
23	22	4.97	1.79	0.36	1383	4.80	1.73	0.36	1471	4.68	1.68	0.36	1511	4.49	1.61	0.36	1574
24	18	4.58	2.93	0.64	1272	4.39	2.81	0.64	1336	4.21	2.70	0.64	1399	4.06	2.60	0.64	1463
24	20	4.78	2.48	0.52	1336	4.58	2.38	0.52	1415	4.45	2.31	0.52	1447	4.29	2.23	0.52	1511
24	22	4.97	1.99	0.40	1383	4.80	1.92	0.40	1471	4.68	1.87	0.40	1511	4.49	1.79	0.40	1574
24	24	5.23	1.46	0.28	1447	5.03	1.41	0.28	1526	4.91	1.38	0.28	1574	4.76	1.33	0.28	1654
25	20	4.78	2.68	0.56	1336	4.58	2.57	0.56	1415	4.45	2.49	0.56	1447	4.29	2.40	0.56	1511
25	22	4.97	2.19	0.44	1383	4.80	2.11	0.44	1471	4.68	2.06	0.44	1511	4.49	1.97	0.44	1574
25	24	5.23	1.67	0.32	1447	5.03	1.61	0.32	1526	4.91	1.57	0.32	1574	4.76	1.52	0.32	1654
26	18	4.58	3.30	0.72	1272	4.39	3.16	0.72	1336	4.21	3.03	0.72	1399	4.06	2.92	0.72	1463
26	20	4.78	2.87	0.60	1336	4.58	2.75	0.60	1415	4.45	2.67	0.60	1447	4.29	2.57	0.60	1511
26	22	4.97	2.39	0.48	1383	4.80	2.30	0.48	1471	4.68	2.25	0.48	1511	4.49	2.15	0.48	1574
26	24	5.23	1.88	0.36	1447	5.03	1.81	0.36	1526	4.91	1.77	0.36	1574	4.76	1.71	0.36	1654
26	26	5.38	1.29	0.24	1526	5.23	1.25	0.24	1606	5.15	1.24	0.24	1654	4.99	1.20	0.24	1701
27	18	4.58	3.48	0.76	1272	4.39	3.33	0.76	1336	4.21	3.20	0.76	1399	4.06	3.08	0.76	1463
27	20	4.78	3.06	0.64	1336	4.58	2.93	0.64	1415	4.45	2.85	0.64	1447	4.29	2.75	0.64	1511
27	22	4.97	2.59	0.52	1383	4.80	2.49	0.52	1471	4.68	2.43	0.52	1511	4.49	2.33	0.52	1574
27	24	5.23	2.09	0.40	1447	5.03	2.01	0.40	1526	4.91	1.97	0.40	1574	4.76	1.90	0.40	1654
27	26	5.38	1.51	0.28	1526	5.23	1.46	0.28	1606	5.15	1.44	0.28	1654	4.99	1.40	0.28	1701
28	18	4.58	3.67	0.80	1272	4.39	3.51	0.80	1336	4.21	3.37	0.80	1399	4.06	3.24	0.80	1463
28	20	4.78	3.25	0.68	1336	4.58	3.12	0.68	1415	4.45	3.02	0.68	1447	4.29	2.92	0.68	1511
28	22	4.97	2.78	0.56	1383	4.80	2.69	0.56	1471	4.68	2.62	0.56	1511	4.49	2.51	0.56	1574
28	24	5.23	2.30	0.44	1447	5.03	2.21	0.44	1526	4.91	2.16	0.44	1574	4.76	2.09	0.44	1654
28	26	5.38	1.72	0.32	1526	5.23	1.67	0.32	1606	5.15	1.65	0.32	1654	4.99	1.60	0.32	1701
29	18	4.58	3.85	0.84	1272	4.39	3.69	0.84	1336	4.21	3.54	0.84	1399	4.06	3.41	0.84	1463
29	20	4.78	3.44	0.72	1336	4.58	3.30	0.72	1415	4.45	3.20	0.72	1447	4.29	3.09	0.72	1511
29	22	4.97	2.98	0.60	1383	4.80	2.88	0.60	1471	4.68	2.81	0.60	1511	4.49	2.69	0.60	1574
29	24	5.23	2.51	0.48	1447	5.03	2.41	0.48	1526	4.91	2.36	0.48	1574	4.76	2.28	0.48	1654
29	26	5.38	1.94	0.36	1526	5.23	1.88	0.36	1606	5.15	1.85	0.36	1654	4.99	1.80	0.36	1701
30	18	4.58	4.03	0.88	1272	4.39	3.86	0.88	1336	4.21	3.71	0.88	1399	4.06	3.57	0.88	1463
30	20	4.78	3.63	0.76	1336	4.58	3.48	0.76	1415	4.45	3.38	0.76	1447	4.29	3.26	0.76	1511
30	22	4.97	3.18	0.64	1383	4.80	3.07	0.64	1471	4.68	3.00	0.64	1511	4.49	2.87	0.64	1574
30	24	5.23	2.72	0.52	1447	5.03	2.62	0.52	1526	4.91	2.56	0.52	1574	4.76	2.47	0.52	1654
30	26	5.38	2.15	0.40	1526	5.23	2.09	0.40	1606	5.15	2.06	0.40	1654	4.99	2.00	0.40	1701
31	18	4.58	4.22	0.92	1272	4.39	4.04	0.92	1336	4.21	3.88	0.92	1399	4.06	3.73	0.92	1463
31	20	4.78	3.82	0.80	1336	4.58	3.67	0.80	1415	4.45	3.56	0.80	1447	4.29	3.43	0.80	1511
31	22	4.97	3.38	0.68	1383	4.80	3.26	0.68	1471	4.68	3.18	0.68	1511	4.49	3.05	0.68	1574
31	24	5.23	2.93	0.56	1447	5.03	2.82	0.56	1526	4.91	2.75	0.56	1574	4.76	2.66	0.56	1654
31	26	5.38	2.37	0.44	1526	5.23	2.30	0.44	1606	5.15	2.27	0.44	1654	4.99	2.20	0.44	1701
32	18	4.58	4.40	0.96	1272	4.39	4.21	0.96	1336	4.21	4.04	0.96	1399	4.06	3.89	0.96	1463
32	20	4.78	4.01	0.84	1336	4.58	3.85	0.84	1415	4.45	3.73	0.84	1447	4.29	3.60	0.84	1511
32	22	4.97	3.58	0.72	1383	4.80	3.45	0.72	1471	4.68	3.37	0.72	1511	4.49	3.23	0.72	1574
32	24	5.23	3.14	0.60	1447	5.03	3.02	0.60	1526	4.91	2.95	0.60	1574	4.76	2.85	0.60	1654
32	26	5.38	2.58	0.48	1526	5.23	2.51	0.48	1606	5.15	2.47	0.48	1654	4.99	2.40	0.48	1701

**PERFORMANCE DATA**

**COOLING operation(240V, 50Hz)**

**SEH-1.6AR / SUH-1.6VR**

CAPACITY : 3.9 kW INPUT : 1590 W SHF : 0.7

		OUTDOOR DB(°C)											
INDOOR DB(°C)	INDOOR WB(°C)	35				40				46			
		Q	SHC	SHF	INPUT	Q	SHC	SHF	INPUT	Q	SHC	SHF	INPUT
21	18	3.82	1.99	0.52	1558	3.51	1.83	0.52	1654	3.24	1.68	0.52	1717
21	20	4.02	1.61	0.40	1622	3.74	1.50	0.40	1701	3.47	1.39	0.40	1797
22	18	3.82	2.14	0.56	1558	3.51	1.97	0.56	1654	3.24	1.81	0.56	1717
22	20	4.02	1.77	0.44	1622	3.74	1.65	0.44	1701	3.47	1.53	0.44	1797
22	22	4.25	1.36	0.32	1685	3.98	1.27	0.32	1781	3.71	1.19	0.32	1844
23	18	3.82	2.29	0.60	1558	3.51	2.11	0.60	1654	3.24	1.94	0.60	1717
23	20	4.02	1.93	0.48	1622	3.74	1.80	0.48	1701	3.47	1.67	0.48	1797
23	22	4.25	1.53	0.36	1685	3.98	1.43	0.36	1781	3.71	1.33	0.36	1844
24	18	3.82	2.45	0.64	1558	3.51	2.25	0.64	1654	3.24	2.07	0.64	1717
24	20	4.02	2.09	0.52	1622	3.74	1.95	0.52	1701	3.47	1.80	0.52	1797
24	22	4.25	1.70	0.40	1685	3.98	1.59	0.40	1781	3.71	1.48	0.40	1844
24	24	4.49	1.26	0.28	1749	4.21	1.18	0.28	1829	3.98	1.11	0.28	1908
25	20	4.02	2.25	0.56	1622	3.74	2.10	0.56	1701	3.47	1.94	0.56	1797
25	22	4.25	1.87	0.44	1685	3.98	1.75	0.44	1781	3.71	1.63	0.44	1844
25	24	4.49	1.44	0.32	1749	4.21	1.35	0.32	1829	3.98	1.27	0.32	1908
26	18	3.82	2.75	0.72	1558	3.51	2.53	0.72	1654	3.24	2.33	0.72	1717
26	20	4.02	2.41	0.60	1622	3.74	2.25	0.60	1701	3.47	2.08	0.60	1797
26	22	4.25	2.04	0.48	1685	3.98	1.91	0.48	1781	3.71	1.78	0.48	1844
26	24	4.49	1.61	0.36	1749	4.21	1.52	0.36	1829	3.98	1.43	0.36	1908
26	26	4.72	1.13	0.24	1813	4.45	1.07	0.24	1892	4.17	1.00	0.24	1972
27	18	3.82	2.90	0.76	1558	3.51	2.67	0.76	1654	3.24	2.46	0.76	1717
27	20	4.02	2.57	0.64	1622	3.74	2.40	0.64	1701	3.47	2.22	0.64	1797
27	22	4.25	2.21	0.52	1685	3.98	2.07	0.52	1781	3.71	1.93	0.52	1844
27	24	4.49	1.79	0.40	1749	4.21	1.68	0.40	1829	3.98	1.59	0.40	1908
27	26	4.72	1.32	0.28	1813	4.45	1.24	0.28	1892	4.17	1.17	0.28	1972
28	18	3.82	3.06	0.80	1558	3.51	2.81	0.80	1654	3.24	2.59	0.80	1717
28	20	4.02	2.73	0.68	1622	3.74	2.55	0.68	1701	3.47	2.36	0.68	1797
28	22	4.25	2.38	0.56	1685	3.98	2.23	0.56	1781	3.71	2.07	0.56	1844
28	24	4.49	1.97	0.44	1749	4.21	1.85	0.44	1829	3.98	1.75	0.44	1908
28	26	4.72	1.51	0.32	1813	4.45	1.42	0.32	1892	4.17	1.34	0.32	1972
29	18	3.82	3.21	0.84	1558	3.51	2.95	0.84	1654	3.24	2.72	0.84	1717
29	20	4.02	2.89	0.72	1622	3.74	2.70	0.72	1701	3.47	2.50	0.72	1797
29	22	4.25	2.55	0.60	1685	3.98	2.39	0.60	1781	3.71	2.22	0.60	1844
29	24	4.49	2.15	0.48	1749	4.21	2.02	0.48	1829	3.98	1.91	0.48	1908
29	26	4.72	1.70	0.36	1813	4.45	1.60	0.36	1892	4.17	1.50	0.36	1972
30	18	3.82	3.36	0.88	1558	3.51	3.09	0.88	1654	3.24	2.85	0.88	1717
30	20	4.02	3.05	0.76	1622	3.74	2.85	0.76	1701	3.47	2.64	0.76	1797
30	22	4.25	2.72	0.64	1685	3.98	2.55	0.64	1781	3.71	2.37	0.64	1844
30	24	4.49	2.33	0.52	1749	4.21	2.19	0.52	1829	3.98	2.07	0.52	1908
30	26	4.72	1.89	0.40	1813	4.45	1.78	0.40	1892	4.17	1.67	0.40	1972
31	18	3.82	3.52	0.92	1558	3.51	3.23	0.92	1654	3.24	2.98	0.92	1717
31	20	4.02	3.21	0.80	1622	3.74	3.00	0.80	1701	3.47	2.78	0.80	1797
31	22	4.25	2.89	0.68	1685	3.98	2.71	0.68	1781	3.71	2.52	0.68	1844
31	24	4.49	2.51	0.56	1749	4.21	2.36	0.56	1829	3.98	2.23	0.56	1908
31	26	4.72	2.08	0.44	1813	4.45	1.96	0.44	1892	4.17	1.84	0.44	1972
32	18	3.82	3.67	0.96	1558	3.51	3.37	0.96	1654	3.24	3.11	0.96	1717
32	20	4.02	3.37	0.84	1622	3.74	3.14	0.84	1701	3.47	2.92	0.84	1797
32	22	4.25	3.06	0.72	1685	3.98	2.86	0.72	1781	3.71	2.67	0.72	1844
32	24	4.49	2.69	0.60	1749	4.21	2.53	0.60	1829	3.98	2.39	0.60	1908
32	26	4.72	2.27	0.48	1813	4.45	2.13	0.48	1892	4.17	2.00	0.48	1972

**PERFORMANCE DATA**  
**COOLING operation(220V, 50Hz)**  
**SEH-1.6AR<sub>1</sub> / SUH-1.6VR<sub>2</sub>**

CAPACITY : 4.0 kW INPUT : 1600 W SHF : 0.73

INDOOR		OUTDOOR DB(°C)															
		21				25				27				30			
		DB(°C)	WB(°C)	Q	SHC	SHF	INPUT	Q	SHC	SHF	INPUT	Q	SHC	SHF	INPUT	Q	SHC
21	18	4.70	2.59	0.55	1280	4.50	2.48	0.55	1344	4.32	2.38	0.55	1408	4.16	2.29	0.55	1472
21	20	4.90	2.11	0.43	1344	4.70	2.02	0.43	1424	4.56	1.96	0.43	1456	4.40	1.89	0.43	1520
22	18	4.70	2.77	0.59	1280	4.50	2.66	0.59	1344	4.32	2.55	0.59	1408	4.16	2.45	0.59	1472
22	20	4.90	2.30	0.47	1344	4.70	2.21	0.47	1424	4.56	2.14	0.47	1456	4.40	2.07	0.47	1520
22	22	5.10	1.79	0.35	1392	4.92	1.72	0.35	1480	4.80	1.68	0.35	1520	4.60	1.61	0.35	1584
23	18	4.70	2.96	0.63	1280	4.50	2.84	0.63	1344	4.32	2.72	0.63	1408	4.16	2.62	0.63	1472
23	20	4.90	2.50	0.51	1344	4.70	2.40	0.51	1424	4.56	2.33	0.51	1456	4.40	2.24	0.51	1520
23	22	5.10	1.99	0.39	1392	4.92	1.92	0.39	1480	4.80	1.87	0.39	1520	4.60	1.79	0.39	1584
24	18	4.70	3.15	0.67	1280	4.50	3.02	0.67	1344	4.32	2.89	0.67	1408	4.16	2.79	0.67	1472
24	20	4.90	2.70	0.55	1344	4.70	2.59	0.55	1424	4.56	2.51	0.55	1456	4.40	2.42	0.55	1520
24	22	5.10	2.19	0.43	1392	4.92	2.12	0.43	1480	4.80	2.06	0.43	1520	4.60	1.98	0.43	1584
24	24	5.36	1.66	0.31	1456	5.16	1.60	0.31	1536	5.04	1.56	0.31	1584	4.88	1.51	0.31	1664
25	20	4.90	2.89	0.59	1344	4.70	2.77	0.59	1424	4.56	2.69	0.59	1456	4.40	2.60	0.59	1520
25	22	5.10	2.40	0.47	1392	4.92	2.31	0.47	1480	4.80	2.26	0.47	1520	4.60	2.16	0.47	1584
25	24	5.36	1.88	0.35	1456	5.16	1.81	0.35	1536	5.04	1.76	0.35	1584	4.88	1.71	0.35	1664
26	18	4.70	3.53	0.75	1280	4.50	3.38	0.75	1344	4.32	3.24	0.75	1408	4.16	3.12	0.75	1472
26	20	4.90	3.09	0.63	1344	4.70	2.96	0.63	1424	4.56	2.87	0.63	1456	4.40	2.77	0.63	1520
26	22	5.10	2.60	0.51	1392	4.92	2.51	0.51	1480	4.80	2.45	0.51	1520	4.60	2.35	0.51	1584
26	24	5.36	2.09	0.39	1456	5.16	2.01	0.39	1536	5.04	1.97	0.39	1584	4.88	1.90	0.39	1664
26	26	5.52	1.49	0.27	1536	5.36	1.45	0.27	1616	5.28	1.43	0.27	1664	5.12	1.38	0.27	1712
27	18	4.70	3.71	0.79	1280	4.50	3.56	0.79	1344	4.32	3.41	0.79	1408	4.16	3.29	0.79	1472
27	20	4.90	3.28	0.67	1344	4.70	3.15	0.67	1424	4.56	3.06	0.67	1456	4.40	2.95	0.67	1520
27	22	5.10	2.81	0.55	1392	4.92	2.71	0.55	1480	4.80	2.64	0.55	1520	4.60	2.53	0.55	1584
27	24	5.36	2.30	0.43	1456	5.16	2.22	0.43	1536	5.04	2.17	0.43	1584	4.88	2.10	0.43	1664
27	26	5.52	1.71	0.31	1536	5.36	1.66	0.31	1616	5.28	1.64	0.31	1664	5.12	1.59	0.31	1712
28	18	4.70	3.90	0.83	1280	4.50	3.74	0.83	1344	4.32	3.59	0.83	1408	4.16	3.45	0.83	1472
28	20	4.90	3.48	0.71	1344	4.70	3.34	0.71	1424	4.56	3.24	0.71	1456	4.40	3.12	0.71	1520
28	22	5.10	3.01	0.59	1392	4.92	2.90	0.59	1480	4.80	2.83	0.59	1520	4.60	2.71	0.59	1584
28	24	5.36	2.52	0.47	1456	5.16	2.43	0.47	1536	5.04	2.37	0.47	1584	4.88	2.29	0.47	1664
28	26	5.52	1.93	0.35	1536	5.36	1.88	0.35	1616	5.28	1.85	0.35	1664	5.12	1.79	0.35	1712
29	18	4.70	4.09	0.87	1280	4.50	3.92	0.87	1344	4.32	3.76	0.87	1408	4.16	3.62	0.87	1472
29	20	4.90	3.68	0.75	1344	4.70	3.53	0.75	1424	4.56	3.42	0.75	1456	4.40	3.30	0.75	1520
29	22	5.10	3.21	0.63	1392	4.92	3.10	0.63	1480	4.80	3.02	0.63	1520	4.60	2.90	0.63	1584
29	24	5.36	2.73	0.51	1456	5.16	2.63	0.51	1536	5.04	2.57	0.51	1584	4.88	2.49	0.51	1664
29	26	5.52	2.15	0.39	1536	5.36	2.09	0.39	1616	5.28	2.06	0.39	1664	5.12	2.00	0.39	1712
30	18	4.70	4.28	0.91	1280	4.50	4.10	0.91	1344	4.32	3.93	0.91	1408	4.16	3.79	0.91	1472
30	20	4.90	3.87	0.79	1344	4.70	3.71	0.79	1424	4.56	3.60	0.79	1456	4.40	3.48	0.79	1520
30	22	5.10	3.42	0.67	1392	4.92	3.30	0.67	1480	4.80	3.22	0.67	1520	4.60	3.08	0.67	1584
30	24	5.36	2.95	0.55	1456	5.16	2.84	0.55	1536	5.04	2.77	0.55	1584	4.88	2.68	0.55	1664
30	26	5.52	2.37	0.43	1536	5.36	2.30	0.43	1616	5.28	2.27	0.43	1664	5.12	2.20	0.43	1712
31	18	4.70	4.47	0.95	1280	4.50	4.28	0.95	1344	4.32	4.10	0.95	1408	4.16	3.95	0.95	1472
31	20	4.90	4.07	0.83	1344	4.70	3.90	0.83	1424	4.56	3.78	0.83	1456	4.40	3.65	0.83	1520
31	22	5.10	3.62	0.71	1392	4.92	3.49	0.71	1480	4.80	3.41	0.71	1520	4.60	3.27	0.71	1584
31	24	5.36	3.16	0.59	1456	5.16	3.04	0.59	1536	5.04	2.97	0.59	1584	4.88	2.88	0.59	1664
31	26	5.52	2.59	0.47	1536	5.36	2.52	0.47	1616	5.28	2.48	0.47	1664	5.12	2.41	0.47	1712
32	18	4.70	4.65	0.99	1280	4.50	4.46	0.99	1344	4.32	4.28	0.99	1408	4.16	4.12	0.99	1472
32	20	4.90	4.26	0.87	1344	4.70	4.09	0.87	1424	4.56	3.97	0.87	1456	4.40	3.83	0.87	1520
32	22	5.10	3.83	0.75	1392	4.92	3.69	0.75	1480	4.80	3.60	0.75	1520	4.60	3.45	0.75	1584
32	24	5.36	3.38	0.63	1456	5.16	3.25	0.63	1536	5.04	3.18	0.63	1584	4.88	3.07	0.63	1664
32	26	5.52	2.82	0.51	1536	5.36	2.73	0.51	1616	5.28	2.69	0.51	1664	5.12	2.61	0.51	1712



**PERFORMANCE DATA**

**COOLING operation(220V, 50Hz)**

**SEH-1.6AR<sub>1</sub> / SUH-1.6VR<sub>2</sub>**

CAPACITY : 4.0 kW INPUT : 1600 W SHF : 0.73

INDOOR		OUTDOOR DB(°C)											
		35				40				46			
DB(°C)	WB(°C)	Q	SHC	SHF	INPUT	Q	SHC	SHF	INPUT	Q	SHC	SHF	INPUT
21	18	3.92	2.16	0.55	1568	3.60	1.98	0.55	1664	3.32	1.83	0.55	1728
21	20	4.12	1.77	0.43	1632	3.84	1.65	0.43	1712	3.56	1.53	0.43	1808
22	18	3.92	2.31	0.59	1568	3.60	2.12	0.59	1664	3.32	1.96	0.59	1728
22	20	4.12	1.94	0.47	1632	3.84	1.80	0.47	1712	3.56	1.67	0.47	1808
22	22	4.36	1.53	0.35	1696	4.08	1.43	0.35	1792	3.80	1.33	0.35	1856
23	18	3.92	2.47	0.63	1568	3.60	2.27	0.63	1664	3.32	2.09	0.63	1728
23	20	4.12	2.10	0.51	1632	3.84	1.96	0.51	1712	3.56	1.82	0.51	1808
23	22	4.36	1.70	0.39	1696	4.08	1.59	0.39	1792	3.80	1.48	0.39	1856
24	18	3.92	2.63	0.67	1568	3.60	2.41	0.67	1664	3.32	2.22	0.67	1728
24	20	4.12	2.27	0.55	1632	3.84	2.11	0.55	1712	3.56	1.96	0.55	1808
24	22	4.36	1.87	0.43	1696	4.08	1.75	0.43	1792	3.80	1.63	0.43	1856
24	24	4.60	1.43	0.31	1760	4.32	1.34	0.31	1840	4.08	1.26	0.31	1920
25	20	4.12	2.43	0.59	1632	3.84	2.27	0.59	1712	3.56	2.10	0.59	1808
25	22	4.36	2.05	0.47	1696	4.08	1.92	0.47	1792	3.80	1.79	0.47	1856
25	24	4.60	1.61	0.35	1760	4.32	1.51	0.35	1840	4.08	1.43	0.35	1920
26	18	3.92	2.94	0.75	1568	3.60	2.70	0.75	1664	3.32	2.49	0.75	1728
26	20	4.12	2.60	0.63	1632	3.84	2.42	0.63	1712	3.56	2.24	0.63	1808
26	22	4.36	2.22	0.51	1696	4.08	2.08	0.51	1792	3.80	1.94	0.51	1856
26	24	4.60	1.79	0.39	1760	4.32	1.68	0.39	1840	4.08	1.59	0.39	1920
26	26	4.84	1.31	0.27	1824	4.56	1.23	0.27	1904	4.28	1.16	0.27	1984
27	18	3.92	3.10	0.79	1568	3.60	2.84	0.79	1664	3.32	2.62	0.79	1728
27	20	4.12	2.76	0.67	1632	3.84	2.57	0.67	1712	3.56	2.39	0.67	1808
27	22	4.36	2.40	0.55	1696	4.08	2.24	0.55	1792	3.80	2.09	0.55	1856
27	24	4.60	1.98	0.43	1760	4.32	1.86	0.43	1840	4.08	1.75	0.43	1920
27	26	4.84	1.50	0.31	1824	4.56	1.41	0.31	1904	4.28	1.33	0.31	1984
28	18	3.92	3.25	0.83	1568	3.60	2.99	0.83	1664	3.32	2.76	0.83	1728
28	20	4.12	2.93	0.71	1632	3.84	2.73	0.71	1712	3.56	2.53	0.71	1808
28	22	4.36	2.57	0.59	1696	4.08	2.41	0.59	1792	3.80	2.24	0.59	1856
28	24	4.60	2.16	0.47	1760	4.32	2.03	0.47	1840	4.08	1.92	0.47	1920
28	26	4.84	1.69	0.35	1824	4.56	1.60	0.35	1904	4.28	1.50	0.35	1984
29	18	3.92	3.41	0.87	1568	3.60	3.13	0.87	1664	3.32	2.89	0.87	1728
29	20	4.12	3.09	0.75	1632	3.84	2.88	0.75	1712	3.56	2.67	0.75	1808
29	22	4.36	2.75	0.63	1696	4.08	2.57	0.63	1792	3.80	2.39	0.63	1856
29	24	4.60	2.35	0.51	1760	4.32	2.20	0.51	1840	4.08	2.08	0.51	1920
29	26	4.84	1.89	0.39	1824	4.56	1.78	0.39	1904	4.28	1.67	0.39	1984
30	18	3.92	3.57	0.91	1568	3.60	3.28	0.91	1664	3.32	3.02	0.91	1728
30	20	4.12	3.25	0.79	1632	3.84	3.03	0.79	1712	3.56	2.81	0.79	1808
30	22	4.36	2.92	0.67	1696	4.08	2.73	0.67	1792	3.80	2.55	0.67	1856
30	24	4.60	2.53	0.55	1760	4.32	2.38	0.55	1840	4.08	2.24	0.55	1920
30	26	4.84	2.08	0.43	1824	4.56	1.96	0.43	1904	4.28	1.84	0.43	1984
31	18	3.92	3.72	0.95	1568	3.60	3.42	0.95	1664	3.32	3.15	0.95	1728
31	20	4.12	3.42	0.83	1632	3.84	3.19	0.83	1712	3.56	2.95	0.83	1808
31	22	4.36	3.10	0.71	1696	4.08	2.90	0.71	1792	3.80	2.70	0.71	1856
31	24	4.60	2.71	0.59	1760	4.32	2.55	0.59	1840	4.08	2.41	0.59	1920
31	26	4.84	2.27	0.47	1824	4.56	2.14	0.47	1904	4.28	2.01	0.47	1984
32	18	3.92	3.88	0.99	1568	3.60	3.56	0.99	1664	3.32	3.29	0.99	1728
32	20	4.12	3.58	0.87	1632	3.84	3.34	0.87	1712	3.56	3.10	0.87	1808
32	22	4.36	3.27	0.75	1696	4.08	3.06	0.75	1792	3.80	2.85	0.75	1856
32	24	4.60	2.90	0.63	1760	4.32	2.72	0.63	1840	4.08	2.57	0.63	1920
32	26	4.84	2.47	0.51	1824	4.56	2.33	0.51	1904	4.28	2.18	0.51	1984

**PERFORMANCE DATA**  
**COOLING operation(240V, 50Hz)**  
**SEH-1.6AR<sub>1</sub> / SUH-1.6VR<sub>2</sub>**

CAPACITY : 4.1 kW INPUT : 1700 W SHF : 0.73

INDOOR		OUTDOOR DB(°C)															
		21				25				27				30			
		DB(°C)	WB(°C)	Q	SHC	SHF	INPUT	Q	SHC	SHF	INPUT	Q	SHC	SHF	INPUT	Q	SHC
21	18	4.82	2.65	0.55	1360	4.61	2.54	0.55	1428	4.43	2.44	0.55	1496	4.26	2.35	0.55	1564
21	20	5.02	2.16	0.43	1428	4.82	2.07	0.43	1513	4.67	2.01	0.43	1547	4.51	1.94	0.43	1615
22	18	4.82	2.84	0.59	1360	4.61	2.72	0.59	1428	4.43	2.61	0.59	1496	4.26	2.52	0.59	1564
22	20	5.02	2.36	0.47	1428	4.82	2.26	0.47	1513	4.67	2.20	0.47	1547	4.51	2.12	0.47	1615
22	22	5.23	1.83	0.35	1479	5.04	1.77	0.35	1573	4.92	1.72	0.35	1615	4.72	1.65	0.35	1683
23	18	4.82	3.04	0.63	1360	4.61	2.91	0.63	1428	4.43	2.79	0.63	1496	4.26	2.69	0.63	1564
23	20	5.02	2.56	0.51	1428	4.82	2.46	0.51	1513	4.67	2.38	0.51	1547	4.51	2.30	0.51	1615
23	22	5.23	2.04	0.39	1479	5.04	1.97	0.39	1573	4.92	1.92	0.39	1615	4.72	1.84	0.39	1683
24	18	4.82	3.23	0.67	1360	4.61	3.09	0.67	1428	4.43	2.97	0.67	1496	4.26	2.86	0.67	1564
24	20	5.02	2.76	0.55	1428	4.82	2.65	0.55	1513	4.67	2.57	0.55	1547	4.51	2.48	0.55	1615
24	22	5.23	2.25	0.43	1479	5.04	2.17	0.43	1573	4.92	2.12	0.43	1615	4.72	2.03	0.43	1683
24	24	5.49	1.70	0.31	1547	5.29	1.64	0.31	1632	5.17	1.60	0.31	1683	5.00	1.55	0.31	1768
25	20	5.02	2.96	0.59	1428	4.82	2.84	0.59	1513	4.67	2.76	0.59	1547	4.51	2.66	0.59	1615
25	22	5.23	2.46	0.47	1479	5.04	2.37	0.47	1573	4.92	2.31	0.47	1615	4.72	2.22	0.47	1683
25	24	5.49	1.92	0.35	1547	5.29	1.85	0.35	1632	5.17	1.81	0.35	1683	5.00	1.75	0.35	1768
26	18	4.82	3.61	0.75	1360	4.61	3.46	0.75	1428	4.43	3.32	0.75	1496	4.26	3.20	0.75	1564
26	20	5.02	3.16	0.63	1428	4.82	3.04	0.63	1513	4.67	2.94	0.63	1547	4.51	2.84	0.63	1615
26	22	5.23	2.67	0.51	1479	5.04	2.57	0.51	1573	4.92	2.51	0.51	1615	4.72	2.40	0.51	1683
26	24	5.49	2.14	0.39	1547	5.29	2.06	0.39	1632	5.17	2.01	0.39	1683	5.00	1.95	0.39	1768
26	26	5.66	1.53	0.27	1632	5.49	1.48	0.27	1717	5.41	1.46	0.27	1768	5.25	1.42	0.27	1819
27	18	4.82	3.81	0.79	1360	4.61	3.64	0.79	1428	4.43	3.50	0.79	1496	4.26	3.37	0.79	1564
27	20	5.02	3.37	0.67	1428	4.82	3.23	0.67	1513	4.67	3.13	0.67	1547	4.51	3.02	0.67	1615
27	22	5.23	2.88	0.55	1479	5.04	2.77	0.55	1573	4.92	2.71	0.55	1615	4.72	2.59	0.55	1683
27	24	5.49	2.36	0.43	1547	5.29	2.27	0.43	1632	5.17	2.22	0.43	1683	5.00	2.15	0.43	1768
27	26	5.66	1.75	0.31	1632	5.49	1.70	0.31	1717	5.41	1.68	0.31	1768	5.25	1.63	0.31	1819
28	18	4.82	4.00	0.83	1360	4.61	3.83	0.83	1428	4.43	3.68	0.83	1496	4.26	3.54	0.83	1564
28	20	5.02	3.57	0.71	1428	4.82	3.42	0.71	1513	4.67	3.32	0.71	1547	4.51	3.20	0.71	1615
28	22	5.23	3.08	0.59	1479	5.04	2.98	0.59	1573	4.92	2.90	0.59	1615	4.72	2.78	0.59	1683
28	24	5.49	2.58	0.47	1547	5.29	2.49	0.47	1632	5.17	2.43	0.47	1683	5.00	2.35	0.47	1768
28	26	5.66	1.98	0.35	1632	5.49	1.92	0.35	1717	5.41	1.89	0.35	1768	5.25	1.84	0.35	1819
29	18	4.82	4.19	0.87	1360	4.61	4.01	0.87	1428	4.43	3.85	0.87	1496	4.26	3.71	0.87	1564
29	20	5.02	3.77	0.75	1428	4.82	3.61	0.75	1513	4.67	3.51	0.75	1547	4.51	3.38	0.75	1615
29	22	5.23	3.29	0.63	1479	5.04	3.18	0.63	1573	4.92	3.10	0.63	1615	4.72	2.97	0.63	1683
29	24	5.49	2.80	0.51	1547	5.29	2.70	0.51	1632	5.17	2.63	0.51	1683	5.00	2.55	0.51	1768
29	26	5.66	2.21	0.39	1632	5.49	2.14	0.39	1717	5.41	2.11	0.39	1768	5.25	2.05	0.39	1819
30	18	4.82	4.38	0.91	1360	4.61	4.20	0.91	1428	4.43	4.03	0.91	1496	4.26	3.88	0.91	1564
30	20	5.02	3.97	0.79	1428	4.82	3.81	0.79	1513	4.67	3.69	0.79	1547	4.51	3.56	0.79	1615
30	22	5.23	3.50	0.67	1479	5.04	3.38	0.67	1573	4.92	3.30	0.67	1615	4.72	3.16	0.67	1683
30	24	5.49	3.02	0.55	1547	5.29	2.91	0.55	1632	5.17	2.84	0.55	1683	5.00	2.75	0.55	1768
30	26	5.66	2.43	0.43	1632	5.49	2.36	0.43	1717	5.41	2.33	0.43	1768	5.25	2.26	0.43	1819
31	18	4.82	4.58	0.95	1360	4.61	4.38	0.95	1428	4.43	4.21	0.95	1496	4.26	4.05	0.95	1564
31	20	5.02	4.17	0.83	1428	4.82	4.00	0.83	1513	4.67	3.88	0.83	1547	4.51	3.74	0.83	1615
31	22	5.23	3.71	0.71	1479	5.04	3.58	0.71	1573	4.92	3.49	0.71	1615	4.72	3.35	0.71	1683
31	24	5.49	3.24	0.59	1547	5.29	3.12	0.59	1632	5.17	3.05	0.59	1683	5.00	2.95	0.59	1768
31	26	5.66	2.66	0.47	1632	5.49	2.58	0.47	1717	5.41	2.54	0.47	1768	5.25	2.47	0.47	1819
32	18	4.82	4.77	0.99	1360	4.61	4.57	0.99	1428	4.43	4.38	0.99	1496	4.26	4.22	0.99	1564
32	20	5.02	4.37	0.87	1428	4.82	4.19	0.87	1513	4.67	4.07	0.87	1547	4.51	3.92	0.87	1615
32	22	5.23	3.92	0.75	1479	5.04	3.78	0.75	1573	4.92	3.69	0.75	1615	4.72	3.54	0.75	1683
32	24	5.49	3.46	0.63	1547	5.29	3.33	0.63	1632	5.17	3.25	0.63	1683	5.00	3.15	0.63	1768
32	26	5.66	2.89	0.51	1632	5.49	2.80	0.51	1717	5.41	2.76	0.51	1768	5.25	2.68	0.51	1819

**PERFORMANCE DATA**

**COOLING operation(240V, 50Hz)**

**SEH-1.6AR<sub>1</sub> / SUH-1.6VR<sub>2</sub>**

CAPACITY : 4.1 kW INPUT : 1700 W SHF : 0.73

INDOOR		OUTDOOR DB(°C)													
		INDOOR		35				40				46			
		DB(°C)	WB(°C)	Q	SHC	SHF	INPUT	Q	SHC	SHF	INPUT	Q	SHC	SHF	INPUT
21	18	4.02	2.21	0.55	1666	3.69	2.03	0.55	1768	3.40	1.87	0.55	1836		
21	20	4.22	1.82	0.43	1734	3.94	1.69	0.43	1819	3.65	1.57	0.43	1921		
22	18	4.02	2.37	0.59	1666	3.69	2.18	0.59	1768	3.40	2.01	0.59	1836		
22	20	4.22	1.98	0.47	1734	3.94	1.85	0.47	1819	3.65	1.72	0.47	1921		
22	22	4.47	1.56	0.35	1802	4.18	1.46	0.35	1904	3.90	1.36	0.35	1972		
23	18	4.02	2.53	0.63	1666	3.69	2.32	0.63	1768	3.40	2.14	0.63	1836		
23	20	4.22	2.15	0.51	1734	3.94	2.01	0.51	1819	3.65	1.86	0.51	1921		
23	22	4.47	1.74	0.39	1802	4.18	1.63	0.39	1904	3.90	1.52	0.39	1972		
24	18	4.02	2.69	0.67	1666	3.69	2.47	0.67	1768	3.40	2.28	0.67	1836		
24	20	4.22	2.32	0.55	1734	3.94	2.16	0.55	1819	3.65	2.01	0.55	1921		
24	22	4.47	1.92	0.43	1802	4.18	1.80	0.43	1904	3.90	1.67	0.43	1972		
24	24	4.72	1.46	0.31	1870	4.43	1.37	0.31	1955	4.18	1.30	0.31	2040		
25	20	4.22	2.49	0.59	1734	3.94	2.32	0.59	1819	3.65	2.15	0.59	1921		
25	22	4.47	2.10	0.47	1802	4.18	1.97	0.47	1904	3.90	1.83	0.47	1972		
25	24	4.72	1.65	0.35	1870	4.43	1.55	0.35	1955	4.18	1.46	0.35	2040		
26	18	4.02	3.01	0.75	1666	3.69	2.77	0.75	1768	3.40	2.55	0.75	1836		
26	20	4.22	2.66	0.63	1734	3.94	2.48	0.63	1819	3.65	2.30	0.63	1921		
26	22	4.47	2.28	0.51	1802	4.18	2.13	0.51	1904	3.90	1.99	0.51	1972		
26	24	4.72	1.84	0.39	1870	4.43	1.73	0.39	1955	4.18	1.63	0.39	2040		
26	26	4.96	1.34	0.27	1938	4.67	1.26	0.27	2023	4.39	1.18	0.27	2108		
27	18	4.02	3.17	0.79	1666	3.69	2.92	0.79	1768	3.40	2.69	0.79	1836		
27	20	4.22	2.83	0.67	1734	3.94	2.64	0.67	1819	3.65	2.44	0.67	1921		
27	22	4.47	2.46	0.55	1802	4.18	2.30	0.55	1904	3.90	2.14	0.55	1972		
27	24	4.72	2.03	0.43	1870	4.43	1.90	0.43	1955	4.18	1.80	0.43	2040		
27	26	4.96	1.54	0.31	1938	4.67	1.45	0.31	2023	4.39	1.36	0.31	2108		
28	18	4.02	3.33	0.83	1666	3.69	3.06	0.83	1768	3.40	2.82	0.83	1836		
28	20	4.22	3.00	0.71	1734	3.94	2.79	0.71	1819	3.65	2.59	0.71	1921		
28	22	4.47	2.64	0.59	1802	4.18	2.47	0.59	1904	3.90	2.30	0.59	1972		
28	24	4.72	2.22	0.47	1870	4.43	2.08	0.47	1955	4.18	1.97	0.47	2040		
28	26	4.96	1.74	0.35	1938	4.67	1.64	0.35	2023	4.39	1.54	0.35	2108		
29	18	4.02	3.50	0.87	1666	3.69	3.21	0.87	1768	3.40	2.96	0.87	1836		
29	20	4.22	3.17	0.75	1734	3.94	2.95	0.75	1819	3.65	2.74	0.75	1921		
29	22	4.47	2.82	0.63	1802	4.18	2.63	0.63	1904	3.90	2.45	0.63	1972		
29	24	4.72	2.40	0.51	1870	4.43	2.26	0.51	1955	4.18	2.13	0.51	2040		
29	26	4.96	1.93	0.39	1938	4.67	1.82	0.39	2023	4.39	1.71	0.39	2108		
30	18	4.02	3.66	0.91	1666	3.69	3.36	0.91	1768	3.40	3.10	0.91	1836		
30	20	4.22	3.34	0.79	1734	3.94	3.11	0.79	1819	3.65	2.88	0.79	1921		
30	22	4.47	2.99	0.67	1802	4.18	2.80	0.67	1904	3.90	2.61	0.67	1972		
30	24	4.72	2.59	0.55	1870	4.43	2.44	0.55	1955	4.18	2.30	0.55	2040		
30	26	4.96	2.13	0.43	1938	4.67	2.01	0.43	2023	4.39	1.89	0.43	2108		
31	18	4.02	3.82	0.95	1666	3.69	3.51	0.95	1768	3.40	3.23	0.95	1836		
31	20	4.22	3.51	0.83	1734	3.94	3.27	0.83	1819	3.65	3.03	0.83	1921		
31	22	4.47	3.17	0.71	1802	4.18	2.97	0.71	1904	3.90	2.77	0.71	1972		
31	24	4.72	2.78	0.59	1870	4.43	2.61	0.59	1955	4.18	2.47	0.59	2040		
31	26	4.96	2.33	0.47	1938	4.67	2.20	0.47	2023	4.39	2.06	0.47	2108		
32	18	4.02	3.98	0.99	1666	3.69	3.65	0.99	1768	3.40	3.37	0.99	1836		
32	20	4.22	3.67	0.87	1734	3.94	3.42	0.87	1819	3.65	3.17	0.87	1921		
32	22	4.47	3.35	0.75	1802	4.18	3.14	0.75	1904	3.90	2.92	0.75	1972		
32	24	4.72	2.97	0.63	1870	4.43	2.79	0.63	1955	4.18	2.63	0.63	2040		
32	26	4.96	2.53	0.51	1938	4.67	2.38	0.51	2023	4.39	2.24	0.51	2108		

**PERFORMANCE DATA**  
**COOLING operation(220V, 50Hz)**  
**SEH-2AR / SUH-2VR**

CAPACITY : 5.3 kW INPUT : 2270 W SHF : 0.73

		OUTDOOR DB(°C)															
INDOOR DB(°C)	INDOOR WB(°C)	21				25				27				30			
		Q	SHC	SHF	INPUT	Q	SHC	SHF	INPUT	Q	SHC	SHF	INPUT	Q	SHC	SHF	INPUT
21	18	6.23	3.43	0.55	1816	5.96	3.28	0.55	1907	5.72	3.15	0.55	1998	5.51	3.03	0.55	2088
21	20	6.49	2.79	0.43	1907	6.23	2.68	0.43	2020	6.04	2.60	0.43	2066	5.83	2.51	0.43	2157
22	18	6.23	3.67	0.59	1816	5.96	3.52	0.59	1907	5.72	3.38	0.59	1998	5.51	3.25	0.59	2088
22	20	6.49	3.05	0.47	1907	6.23	2.93	0.47	2020	6.04	2.84	0.47	2066	5.83	2.74	0.47	2157
22	22	6.76	2.37	0.35	1975	6.52	2.28	0.35	2100	6.36	2.23	0.35	2157	6.10	2.13	0.35	2247
23	18	6.23	3.92	0.63	1816	5.96	3.76	0.63	1907	5.72	3.61	0.63	1998	5.51	3.47	0.63	2088
23	20	6.49	3.31	0.51	1907	6.23	3.18	0.51	2020	6.04	3.08	0.51	2066	5.83	2.97	0.51	2157
23	22	6.76	2.64	0.39	1975	6.52	2.54	0.39	2100	6.36	2.48	0.39	2157	6.10	2.38	0.39	2247
24	18	6.23	4.17	0.67	1816	5.96	3.99	0.67	1907	5.72	3.84	0.67	1998	5.51	3.69	0.67	2088
24	20	6.49	3.57	0.55	1907	6.23	3.43	0.55	2020	6.04	3.32	0.55	2066	5.83	3.21	0.55	2157
24	22	6.76	2.91	0.43	1975	6.52	2.80	0.43	2100	6.36	2.73	0.43	2157	6.10	2.62	0.43	2247
24	24	7.10	2.20	0.31	2066	6.84	2.12	0.31	2179	6.68	2.07	0.31	2247	6.47	2.00	0.31	2361
25	20	6.49	3.83	0.59	1907	6.23	3.67	0.59	2020	6.04	3.56	0.59	2066	5.83	3.44	0.59	2157
25	22	6.76	3.18	0.47	1975	6.52	3.06	0.47	2100	6.36	2.99	0.47	2157	6.10	2.86	0.47	2247
25	24	7.10	2.49	0.35	2066	6.84	2.39	0.35	2179	6.68	2.34	0.35	2247	6.47	2.26	0.35	2361
26	18	6.23	4.67	0.75	1816	5.96	4.47	0.75	1907	5.72	4.29	0.75	1998	5.51	4.13	0.75	2088
26	20	6.49	4.09	0.63	1907	6.23	3.92	0.63	2020	6.04	3.81	0.63	2066	5.83	3.67	0.63	2157
26	22	6.76	3.45	0.51	1975	6.52	3.32	0.51	2100	6.36	3.24	0.51	2157	6.10	3.11	0.51	2247
26	24	7.10	2.77	0.39	2066	6.84	2.67	0.39	2179	6.68	2.60	0.39	2247	6.47	2.52	0.39	2361
26	26	7.31	1.97	0.27	2179	7.10	1.92	0.27	2293	7.00	1.89	0.27	2361	6.78	1.83	0.27	2429
27	18	6.23	4.92	0.79	1816	5.96	4.71	0.79	1907	5.72	4.52	0.79	1998	5.51	4.35	0.79	2088
27	20	6.49	4.35	0.67	1907	6.23	4.17	0.67	2020	6.04	4.05	0.67	2066	5.83	3.91	0.67	2157
27	22	6.76	3.72	0.55	1975	6.52	3.59	0.55	2100	6.36	3.50	0.55	2157	6.10	3.35	0.55	2247
27	24	7.10	3.05	0.43	2066	6.84	2.94	0.43	2179	6.68	2.87	0.43	2247	6.47	2.78	0.43	2361
27	26	7.31	2.27	0.31	2179	7.10	2.20	0.31	2293	7.00	2.17	0.31	2361	6.78	2.10	0.31	2429
28	18	6.23	5.17	0.83	1816	5.96	4.95	0.83	1907	5.72	4.75	0.83	1998	5.51	4.57	0.83	2088
28	20	6.49	4.61	0.71	1907	6.23	4.42	0.71	2020	6.04	4.29	0.71	2066	5.83	4.14	0.71	2157
28	22	6.76	3.99	0.59	1975	6.52	3.85	0.59	2100	6.36	3.75	0.59	2157	6.10	3.60	0.59	2247
28	24	7.10	3.34	0.47	2066	6.84	3.21	0.47	2179	6.68	3.14	0.47	2247	6.47	3.04	0.47	2361
28	26	7.31	2.56	0.35	2179	7.10	2.49	0.35	2293	7.00	2.45	0.35	2361	6.78	2.37	0.35	2429
29	18	6.23	5.42	0.87	1816	5.96	5.19	0.87	1907	5.72	4.98	0.87	1998	5.51	4.80	0.87	2088
29	20	6.49	4.87	0.75	1907	6.23	4.67	0.75	2020	6.04	4.53	0.75	2066	5.83	4.37	0.75	2157
29	22	6.76	4.26	0.63	1975	6.52	4.11	0.63	2100	6.36	4.01	0.63	2157	6.10	3.84	0.63	2247
29	24	7.10	3.62	0.51	2066	6.84	3.49	0.51	2179	6.68	3.41	0.51	2247	6.47	3.30	0.51	2361
29	26	7.31	2.85	0.39	2179	7.10	2.77	0.39	2293	7.00	2.73	0.39	2361	6.78	2.65	0.39	2429
30	18	6.23	5.67	0.91	1816	5.96	5.43	0.91	1907	5.72	5.21	0.91	1998	5.51	5.02	0.91	2088
30	20	6.49	5.13	0.79	1907	6.23	4.92	0.79	2020	6.04	4.77	0.79	2066	5.83	4.61	0.79	2157
30	22	6.76	4.53	0.67	1975	6.52	4.37	0.67	2100	6.36	4.26	0.67	2157	6.10	4.08	0.67	2247
30	24	7.10	3.91	0.55	2066	6.84	3.76	0.55	2179	6.68	3.67	0.55	2247	6.47	3.56	0.55	2361
30	26	7.31	3.15	0.43	2179	7.10	3.05	0.43	2293	7.00	3.01	0.43	2361	6.78	2.92	0.43	2429
31	18	6.23	5.92	0.95	1816	5.96	5.66	0.95	1907	5.72	5.44	0.95	1998	5.51	5.24	0.95	2088
31	20	6.49	5.39	0.83	1907	6.23	5.17	0.83	2020	6.04	5.01	0.83	2066	5.83	4.84	0.83	2157
31	22	6.76	4.80	0.71	1975	6.52	4.63	0.71	2100	6.36	4.52	0.71	2157	6.10	4.33	0.71	2247
31	24	7.10	4.19	0.59	2066	6.84	4.03	0.59	2179	6.68	3.94	0.59	2247	6.47	3.81	0.59	2361
31	26	7.31	3.44	0.47	2179	7.10	3.34	0.47	2293	7.00	3.29	0.47	2361	6.78	3.19	0.47	2429
32	18	6.23	6.17	0.99	1816	5.96	5.90	0.99	1907	5.72	5.67	0.99	1998	5.51	5.46	0.99	2088
32	20	6.49	5.65	0.87	1907	6.23	5.42	0.87	2020	6.04	5.26	0.87	2066	5.83	5.07	0.87	2157
32	22	6.76	5.07	0.75	1975	6.52	4.89	0.75	2100	6.36	4.77	0.75	2157	6.10	4.57	0.75	2247
32	24	7.10	4.47	0.63	2066	6.84	4.31	0.63	2179	6.68	4.21	0.63	2247	6.47	4.07	0.63	2361
32	26	7.31	3.73	0.51	2179	7.10	3.62	0.51	2293	7.00	3.57	0.51	2361	6.78	3.46	0.51	2429

**PERFORMANCE DATA**

**COOLING operation(220V, 50Hz)**

**SEH-2AR / SUH-2VR**

CAPACITY : 5.3 kW INPUT : 2270 W SHF : 0.73

		OUTDOOR DB(°C)											
INDOOR DB(°C)	INDOOR WB(°C)	35				40				46			
		Q	SHC	SHF	INPUT	Q	SHC	SHF	INPUT	Q	SHC	SHF	INPUT
21	18	5.19	2.86	0.55	2225	4.77	2.62	0.55	2361	4.40	2.42	0.55	2452
21	20	5.46	2.35	0.43	2315	5.09	2.19	0.43	2429	4.72	2.03	0.43	2565
22	18	5.19	3.06	0.59	2225	4.77	2.81	0.59	2361	4.40	2.60	0.59	2452
22	20	5.46	2.57	0.47	2315	5.09	2.39	0.47	2429	4.72	2.22	0.47	2565
22	22	5.78	2.02	0.35	2406	5.41	1.89	0.35	2542	5.04	1.76	0.35	2633
23	18	5.19	3.27	0.63	2225	4.77	3.01	0.63	2361	4.40	2.77	0.63	2452
23	20	5.46	2.78	0.51	2315	5.09	2.59	0.51	2429	4.72	2.41	0.51	2565
23	22	5.78	2.25	0.39	2406	5.41	2.11	0.39	2542	5.04	1.96	0.39	2633
24	18	5.19	3.48	0.67	2225	4.77	3.20	0.67	2361	4.40	2.95	0.67	2452
24	20	5.46	3.00	0.55	2315	5.09	2.80	0.55	2429	4.72	2.59	0.55	2565
24	22	5.78	2.48	0.43	2406	5.41	2.32	0.43	2542	5.04	2.17	0.43	2633
24	24	6.10	1.89	0.31	2497	5.72	1.77	0.31	2611	5.41	1.68	0.31	2724
25	20	5.46	3.22	0.59	2315	5.09	3.00	0.59	2429	4.72	2.78	0.59	2565
25	22	5.78	2.72	0.47	2406	5.41	2.54	0.47	2542	5.04	2.37	0.47	2633
25	24	6.10	2.13	0.35	2497	5.72	2.00	0.35	2611	5.41	1.89	0.35	2724
26	18	5.19	3.90	0.75	2225	4.77	3.58	0.75	2361	4.40	3.30	0.75	2452
26	20	5.46	3.44	0.63	2315	5.09	3.21	0.63	2429	4.72	2.97	0.63	2565
26	22	5.78	2.95	0.51	2406	5.41	2.76	0.51	2542	5.04	2.57	0.51	2633
26	24	6.10	2.38	0.39	2497	5.72	2.23	0.39	2611	5.41	2.11	0.39	2724
26	26	6.41	1.73	0.27	2588	6.04	1.63	0.27	2701	5.67	1.53	0.27	2815
27	18	5.19	4.10	0.79	2225	4.77	3.77	0.79	2361	4.40	3.48	0.79	2452
27	20	5.46	3.66	0.67	2315	5.09	3.41	0.67	2429	4.72	3.16	0.67	2565
27	22	5.78	3.18	0.55	2406	5.41	2.97	0.55	2542	5.04	2.77	0.55	2633
27	24	6.10	2.62	0.43	2497	5.72	2.46	0.43	2611	5.41	2.32	0.43	2724
27	26	6.41	1.99	0.31	2588	6.04	1.87	0.31	2701	5.67	1.76	0.31	2815
28	18	5.19	4.31	0.83	2225	4.77	3.96	0.83	2361	4.40	3.65	0.83	2452
28	20	5.46	3.88	0.71	2315	5.09	3.61	0.71	2429	4.72	3.35	0.71	2565
28	22	5.78	3.41	0.59	2406	5.41	3.19	0.59	2542	5.04	2.97	0.59	2633
28	24	6.10	2.86	0.47	2497	5.72	2.69	0.47	2611	5.41	2.54	0.47	2724
28	26	6.41	2.24	0.35	2588	6.04	2.11	0.35	2701	5.67	1.98	0.35	2815
29	18	5.19	4.52	0.87	2225	4.77	4.15	0.87	2361	4.40	3.83	0.87	2452
29	20	5.46	4.09	0.75	2315	5.09	3.82	0.75	2429	4.72	3.54	0.75	2565
29	22	5.78	3.64	0.63	2406	5.41	3.41	0.63	2542	5.04	3.17	0.63	2633
29	24	6.10	3.11	0.51	2497	5.72	2.92	0.51	2611	5.41	2.76	0.51	2724
29	26	6.41	2.50	0.39	2588	6.04	2.36	0.39	2701	5.67	2.21	0.39	2815
30	18	5.19	4.73	0.91	2225	4.77	4.34	0.91	2361	4.40	4.00	0.91	2452
30	20	5.46	4.31	0.79	2315	5.09	4.02	0.79	2429	4.72	3.73	0.79	2565
30	22	5.78	3.87	0.67	2406	5.41	3.62	0.67	2542	5.04	3.37	0.67	2633
30	24	6.10	3.35	0.55	2497	5.72	3.15	0.55	2611	5.41	2.97	0.55	2724
30	26	6.41	2.76	0.43	2588	6.04	2.60	0.43	2701	5.67	2.44	0.43	2815
31	18	5.19	4.93	0.95	2225	4.77	4.53	0.95	2361	4.40	4.18	0.95	2452
31	20	5.46	4.53	0.83	2315	5.09	4.22	0.83	2429	4.72	3.92	0.83	2565
31	22	5.78	4.10	0.71	2406	5.41	3.84	0.71	2542	5.04	3.57	0.71	2633
31	24	6.10	3.60	0.59	2497	5.72	3.38	0.59	2611	5.41	3.19	0.59	2724
31	26	6.41	3.01	0.47	2588	6.04	2.84	0.47	2701	5.67	2.67	0.47	2815
32	18	5.19	5.14	0.99	2225	4.77	4.72	0.99	2361	4.40	4.36	0.99	2452
32	20	5.46	4.75	0.87	2315	5.09	4.43	0.87	2429	4.72	4.10	0.87	2565
32	22	5.78	4.33	0.75	2406	5.41	4.05	0.75	2542	5.04	3.78	0.75	2633
32	24	6.10	3.84	0.63	2497	5.72	3.61	0.63	2611	5.41	3.41	0.63	2724
32	26	6.41	3.27	0.51	2588	6.04	3.08	0.51	2701	5.67	2.89	0.51	2815

**PERFORMANCE DATA**  
**COOLING operation(240V, 50Hz)**  
**SEH-2AR / SUH-2VR**

CAPACITY : 5.4 kW INPUT : 2330 W SHF : 0.73

		OUTDOOR DB(°C)															
INDOOR DB(°C)	INDOOR WB(°C)	21				25				27				30			
		Q	SHC	SHF	INPUT	Q	SHC	SHF	INPUT	Q	SHC	SHF	INPUT	Q	SHC	SHF	INPUT
21	18	6.35	3.49	0.55	1864	6.08	3.34	0.55	1957	5.83	3.21	0.55	2050	5.62	3.09	0.55	2144
21	20	6.62	2.84	0.43	1957	6.35	2.73	0.43	2074	6.16	2.65	0.43	2120	5.94	2.55	0.43	2214
22	18	6.35	3.74	0.59	1864	6.08	3.58	0.59	1957	5.83	3.44	0.59	2050	5.62	3.31	0.59	2144
22	20	6.62	3.11	0.47	1957	6.35	2.98	0.47	2074	6.16	2.89	0.47	2120	5.94	2.79	0.47	2214
22	22	6.89	2.41	0.35	2027	6.64	2.32	0.35	2155	6.48	2.27	0.35	2214	6.21	2.17	0.35	2307
23	18	6.35	4.00	0.63	1864	6.08	3.83	0.63	1957	5.83	3.67	0.63	2050	5.62	3.54	0.63	2144
23	20	6.62	3.37	0.51	1957	6.35	3.24	0.51	2074	6.16	3.14	0.51	2120	5.94	3.03	0.51	2214
23	22	6.89	2.69	0.39	2027	6.64	2.59	0.39	2155	6.48	2.53	0.39	2214	6.21	2.42	0.39	2307
24	18	6.35	4.25	0.67	1864	6.08	4.07	0.67	1957	5.83	3.91	0.67	2050	5.62	3.76	0.67	2144
24	20	6.62	3.64	0.55	1957	6.35	3.49	0.55	2074	6.16	3.39	0.55	2120	5.94	3.27	0.55	2214
24	22	6.89	2.96	0.43	2027	6.64	2.86	0.43	2155	6.48	2.79	0.43	2214	6.21	2.67	0.43	2307
24	24	7.24	2.24	0.31	2120	6.97	2.16	0.31	2237	6.80	2.11	0.31	2307	6.59	2.04	0.31	2423
25	20	6.62	3.90	0.59	1957	6.35	3.74	0.59	2074	6.16	3.63	0.59	2120	5.94	3.50	0.59	2214
25	22	6.89	3.24	0.47	2027	6.64	3.12	0.47	2155	6.48	3.05	0.47	2214	6.21	2.92	0.47	2307
25	24	7.24	2.53	0.35	2120	6.97	2.44	0.35	2237	6.80	2.38	0.35	2307	6.59	2.31	0.35	2423
26	18	6.35	4.76	0.75	1864	6.08	4.56	0.75	1957	5.83	4.37	0.75	2050	5.62	4.21	0.75	2144
26	20	6.62	4.17	0.63	1957	6.35	4.00	0.63	2074	6.16	3.88	0.63	2120	5.94	3.74	0.63	2214
26	22	6.89	3.51	0.51	2027	6.64	3.39	0.51	2155	6.48	3.30	0.51	2214	6.21	3.17	0.51	2307
26	24	7.24	2.82	0.39	2120	6.97	2.72	0.39	2237	6.80	2.65	0.39	2307	6.59	2.57	0.39	2423
26	26	7.45	2.01	0.27	2237	7.24	1.95	0.27	2353	7.13	1.92	0.27	2423	6.91	1.87	0.27	2493
27	18	6.35	5.01	0.79	1864	6.08	4.80	0.79	1957	5.83	4.61	0.79	2050	5.62	4.44	0.79	2144
27	20	6.62	4.43	0.67	1957	6.35	4.25	0.67	2074	6.16	4.12	0.67	2120	5.94	3.98	0.67	2214
27	22	6.89	3.79	0.55	2027	6.64	3.65	0.55	2155	6.48	3.56	0.55	2214	6.21	3.42	0.55	2307
27	24	7.24	3.11	0.43	2120	6.97	3.00	0.43	2237	6.80	2.93	0.43	2307	6.59	2.83	0.43	2423
27	26	7.45	2.31	0.31	2237	7.24	2.24	0.31	2353	7.13	2.21	0.31	2423	6.91	2.14	0.31	2493
28	18	6.35	5.27	0.83	1864	6.08	5.04	0.83	1957	5.83	4.84	0.83	2050	5.62	4.66	0.83	2144
28	20	6.62	4.70	0.71	1957	6.35	4.50	0.71	2074	6.16	4.37	0.71	2120	5.94	4.22	0.71	2214
28	22	6.89	4.06	0.59	2027	6.64	3.92	0.59	2155	6.48	3.82	0.59	2214	6.21	3.66	0.59	2307
28	24	7.24	3.40	0.47	2120	6.97	3.27	0.47	2237	6.80	3.20	0.47	2307	6.59	3.10	0.47	2423
28	26	7.45	2.61	0.35	2237	7.24	2.53	0.35	2353	7.13	2.49	0.35	2423	6.91	2.42	0.35	2493
29	18	6.35	5.52	0.87	1864	6.08	5.29	0.87	1957	5.83	5.07	0.87	2050	5.62	4.89	0.87	2144
29	20	6.62	4.96	0.75	1957	6.35	4.76	0.75	2074	6.16	4.62	0.75	2120	5.94	4.46	0.75	2214
29	22	6.89	4.34	0.63	2027	6.64	4.18	0.63	2155	6.48	4.08	0.63	2214	6.21	3.91	0.63	2307
29	24	7.24	3.69	0.51	2120	6.97	3.55	0.51	2237	6.80	3.47	0.51	2307	6.59	3.36	0.51	2423
29	26	7.45	2.91	0.39	2237	7.24	2.82	0.39	2353	7.13	2.78	0.39	2423	6.91	2.70	0.39	2493
30	18	6.35	5.77	0.91	1864	6.08	5.53	0.91	1957	5.83	5.31	0.91	2050	5.62	5.11	0.91	2144
30	20	6.62	5.23	0.79	1957	6.35	5.01	0.79	2074	6.16	4.86	0.79	2120	5.94	4.69	0.79	2214
30	22	6.89	4.61	0.67	2027	6.64	4.45	0.67	2155	6.48	4.34	0.67	2214	6.21	4.16	0.67	2307
30	24	7.24	3.98	0.55	2120	6.97	3.83	0.55	2237	6.80	3.74	0.55	2307	6.59	3.62	0.55	2423
30	26	7.45	3.20	0.43	2237	7.24	3.11	0.43	2353	7.13	3.07	0.43	2423	6.91	2.97	0.43	2493
31	18	6.35	6.03	0.95	1864	6.08	5.77	0.95	1957	5.83	5.54	0.95	2050	5.62	5.34	0.95	2144
31	20	6.62	5.49	0.83	1957	6.35	5.27	0.83	2074	6.16	5.11	0.83	2120	5.94	4.93	0.83	2214
31	22	6.89	4.89	0.71	2027	6.64	4.72	0.71	2155	6.48	4.60	0.71	2214	6.21	4.41	0.71	2307
31	24	7.24	4.27	0.59	2120	6.97	4.11	0.59	2237	6.80	4.01	0.59	2307	6.59	3.89	0.59	2423
31	26	7.45	3.50	0.47	2237	7.24	3.40	0.47	2353	7.13	3.35	0.47	2423	6.91	3.25	0.47	2493
32	18	6.35	6.28	0.99	1864	6.08	6.01	0.99	1957	5.83	5.77	0.99	2050	5.62	5.56	0.99	2144
32	20	6.62	5.76	0.87	1957	6.35	5.52	0.87	2074	6.16	5.36	0.87	2120	5.94	5.17	0.87	2214
32	22	6.89	5.16	0.75	2027	6.64	4.98	0.75	2155	6.48	4.86	0.75	2214	6.21	4.66	0.75	2307
32	24	7.24	4.56	0.63	2120	6.97	4.39	0.63	2237	6.80	4.29	0.63	2307	6.59	4.15	0.63	2423
32	26	7.45	3.80	0.51	2237	7.24	3.69	0.51	2353	7.13	3.64	0.51	2423	6.91	3.53	0.51	2493

**PERFORMANCE DATA**

**COOLING operation(240V, 50Hz)**

**SEH-2AR / SUH-2VR**

CAPACITY : 5.4 kW INPUT : 2330 W SHF : 0.73

		OUTDOOR DB(°C)											
INDOOR DB(°C)	INDOOR WB(°C)	35				40				46			
		Q	SHC	SHF	INPUT	Q	SHC	SHF	INPUT	Q	SHC	SHF	INPUT
21	18	5.29	2.91	0.55	2283	4.86	2.67	0.55	2423	4.48	2.47	0.55	2516
21	20	5.56	2.39	0.43	2377	5.18	2.23	0.43	2493	4.81	2.07	0.43	2633
22	18	5.29	3.12	0.59	2283	4.86	2.87	0.59	2423	4.48	2.64	0.59	2516
22	20	5.56	2.61	0.47	2377	5.18	2.44	0.47	2493	4.81	2.26	0.47	2633
22	22	5.89	2.06	0.35	2470	5.51	1.93	0.35	2610	5.13	1.80	0.35	2703
23	18	5.29	3.33	0.63	2283	4.86	3.06	0.63	2423	4.48	2.82	0.63	2516
23	20	5.56	2.84	0.51	2377	5.18	2.64	0.51	2493	4.81	2.45	0.51	2633
23	22	5.89	2.30	0.39	2470	5.51	2.15	0.39	2610	5.13	2.00	0.39	2703
24	18	5.29	3.55	0.67	2283	4.86	3.26	0.67	2423	4.48	3.00	0.67	2516
24	20	5.56	3.06	0.55	2377	5.18	2.85	0.55	2493	4.81	2.64	0.55	2633
24	22	5.89	2.53	0.43	2470	5.51	2.37	0.43	2610	5.13	2.21	0.43	2703
24	24	6.21	1.93	0.31	2563	5.83	1.81	0.31	2680	5.51	1.71	0.31	2796
25	20	5.56	3.28	0.59	2377	5.18	3.06	0.59	2493	4.81	2.84	0.59	2633
25	22	5.89	2.77	0.47	2470	5.51	2.59	0.47	2610	5.13	2.41	0.47	2703
25	24	6.21	2.17	0.35	2563	5.83	2.04	0.35	2680	5.51	1.93	0.35	2796
26	18	5.29	3.97	0.75	2283	4.86	3.65	0.75	2423	4.48	3.36	0.75	2516
26	20	5.56	3.50	0.63	2377	5.18	3.27	0.63	2493	4.81	3.03	0.63	2633
26	22	5.89	3.00	0.51	2470	5.51	2.81	0.51	2610	5.13	2.62	0.51	2703
26	24	6.21	2.42	0.39	2563	5.83	2.27	0.39	2680	5.51	2.15	0.39	2796
26	26	6.53	1.76	0.27	2656	6.16	1.66	0.27	2773	5.78	1.56	0.27	2889
27	18	5.29	4.18	0.79	2283	4.86	3.84	0.79	2423	4.48	3.54	0.79	2516
27	20	5.56	3.73	0.67	2377	5.18	3.47	0.67	2493	4.81	3.22	0.67	2633
27	22	5.89	3.24	0.55	2470	5.51	3.03	0.55	2610	5.13	2.82	0.55	2703
27	24	6.21	2.67	0.43	2563	5.83	2.51	0.43	2680	5.51	2.37	0.43	2796
27	26	6.53	2.03	0.31	2656	6.16	1.91	0.31	2773	5.78	1.79	0.31	2889
28	18	5.29	4.39	0.83	2283	4.86	4.03	0.83	2423	4.48	3.72	0.83	2516
28	20	5.56	3.95	0.71	2377	5.18	3.68	0.71	2493	4.81	3.41	0.71	2633
28	22	5.89	3.47	0.59	2470	5.51	3.25	0.59	2610	5.13	3.03	0.59	2703
28	24	6.21	2.92	0.47	2563	5.83	2.74	0.47	2680	5.51	2.59	0.47	2796
28	26	6.53	2.29	0.35	2656	6.16	2.15	0.35	2773	5.78	2.02	0.35	2889
29	18	5.29	4.60	0.87	2283	4.86	4.23	0.87	2423	4.48	3.90	0.87	2516
29	20	5.56	4.17	0.75	2377	5.18	3.89	0.75	2493	4.81	3.60	0.75	2633
29	22	5.89	3.71	0.63	2470	5.51	3.47	0.63	2610	5.13	3.23	0.63	2703
29	24	6.21	3.17	0.51	2563	5.83	2.97	0.51	2680	5.51	2.81	0.51	2796
29	26	6.53	2.55	0.39	2656	6.16	2.40	0.39	2773	5.78	2.25	0.39	2889
30	18	5.29	4.82	0.91	2283	4.86	4.42	0.91	2423	4.48	4.08	0.91	2516
30	20	5.56	4.39	0.79	2377	5.18	4.10	0.79	2493	4.81	3.80	0.79	2633
30	22	5.89	3.94	0.67	2470	5.51	3.69	0.67	2610	5.13	3.44	0.67	2703
30	24	6.21	3.42	0.55	2563	5.83	3.21	0.55	2680	5.51	3.03	0.55	2796
30	26	6.53	2.81	0.43	2656	6.16	2.65	0.43	2773	5.78	2.48	0.43	2889
31	18	5.29	5.03	0.95	2283	4.86	4.62	0.95	2423	4.48	4.26	0.95	2516
31	20	5.56	4.62	0.83	2377	5.18	4.30	0.83	2493	4.81	3.99	0.83	2633
31	22	5.89	4.18	0.71	2470	5.51	3.91	0.71	2610	5.13	3.64	0.71	2703
31	24	6.21	3.66	0.59	2563	5.83	3.44	0.59	2680	5.51	3.25	0.59	2796
31	26	6.53	3.07	0.47	2656	6.16	2.89	0.47	2773	5.78	2.72	0.47	2889
32	18	5.29	5.24	0.99	2283	4.86	4.81	0.99	2423	4.48	4.44	0.99	2516
32	20	5.56	4.84	0.87	2377	5.18	4.51	0.87	2493	4.81	4.18	0.87	2633
32	22	5.89	4.41	0.75	2470	5.51	4.13	0.75	2610	5.13	3.85	0.75	2703
32	24	6.21	3.91	0.63	2563	5.83	3.67	0.63	2680	5.51	3.47	0.63	2796
32	26	6.53	3.33	0.51	2656	6.16	3.14	0.51	2773	5.78	2.95	0.51	2889

**PERFORMANCE DATA**  
**COOLING operation(220V, 50Hz)**  
**SEH-2.5AR / SUH-2.5VR**  
CAPACITY : 6.6 kW INPUT : 2950 W SHF : 0.69

		OUTDOOR DB(°C)															
INDOOR DB(°C)	INDOOR WB(°C)	21				25				27				30			
		Q	SHC	SHF	INPUT	Q	SHC	SHF	INPUT	Q	SHC	SHF	INPUT	Q	SHC	SHF	INPUT
21	18	7.76	3.96	0.51	2360	7.43	3.79	0.51	2478	7.13	3.64	0.51	2596	6.86	3.50	0.51	2714
21	20	8.09	3.15	0.39	2478	7.76	3.02	0.39	2626	7.52	2.93	0.39	2685	7.26	2.83	0.39	2803
22	18	7.76	4.27	0.55	2360	7.43	4.08	0.55	2478	7.13	3.92	0.55	2596	6.86	3.78	0.55	2714
22	20	8.09	3.48	0.43	2478	7.76	3.33	0.43	2626	7.52	3.24	0.43	2685	7.26	3.12	0.43	2803
22	22	8.42	2.61	0.31	2567	8.12	2.52	0.31	2729	7.92	2.46	0.31	2803	7.59	2.35	0.31	2921
23	18	7.76	4.58	0.59	2360	7.43	4.38	0.59	2478	7.13	4.21	0.59	2596	6.86	4.05	0.59	2714
23	20	8.09	3.80	0.47	2478	7.76	3.64	0.47	2626	7.52	3.54	0.47	2685	7.26	3.41	0.47	2803
23	22	8.42	2.95	0.35	2567	8.12	2.84	0.35	2729	7.92	2.77	0.35	2803	7.59	2.66	0.35	2921
24	18	7.76	4.89	0.63	2360	7.43	4.68	0.63	2478	7.13	4.49	0.63	2596	6.86	4.32	0.63	2714
24	20	8.09	4.12	0.51	2478	7.76	3.96	0.51	2626	7.52	3.84	0.51	2685	7.26	3.70	0.51	2803
24	22	8.42	3.28	0.39	2567	8.12	3.17	0.39	2729	7.92	3.09	0.39	2803	7.59	2.96	0.39	2921
24	24	8.84	2.39	0.27	2685	8.51	2.30	0.27	2832	8.32	2.25	0.27	2921	8.05	2.17	0.27	3068
25	20	8.09	4.45	0.55	2478	7.76	4.27	0.55	2626	7.52	4.14	0.55	2685	7.26	3.99	0.55	2803
25	22	8.42	3.62	0.43	2567	8.12	3.49	0.43	2729	7.92	3.41	0.43	2803	7.59	3.26	0.43	2921
25	24	8.84	2.74	0.31	2685	8.51	2.64	0.31	2832	8.32	2.58	0.31	2921	8.05	2.50	0.31	3068
26	18	7.76	5.51	0.71	2360	7.43	5.27	0.71	2478	7.13	5.06	0.71	2596	6.86	4.87	0.71	2714
26	20	8.09	4.77	0.59	2478	7.76	4.58	0.59	2626	7.52	4.44	0.59	2685	7.26	4.28	0.59	2803
26	22	8.42	3.96	0.47	2567	8.12	3.82	0.47	2729	7.92	3.72	0.47	2803	7.59	3.57	0.47	2921
26	24	8.84	3.10	0.35	2685	8.51	2.98	0.35	2832	8.32	2.91	0.35	2921	8.05	2.82	0.35	3068
26	26	9.11	2.09	0.23	2832	8.84	2.03	0.23	2980	8.71	2.00	0.23	3068	8.45	1.94	0.23	3157
27	18	7.76	5.82	0.75	2360	7.43	5.57	0.75	2478	7.13	5.35	0.75	2596	6.86	5.15	0.75	2714
27	20	8.09	5.09	0.63	2478	7.76	4.89	0.63	2626	7.52	4.74	0.63	2685	7.26	4.57	0.63	2803
27	22	8.42	4.29	0.51	2567	8.12	4.14	0.51	2729	7.92	4.04	0.51	2803	7.59	3.87	0.51	2921
27	24	8.84	3.45	0.39	2685	8.51	3.32	0.39	2832	8.32	3.24	0.39	2921	8.05	3.14	0.39	3068
27	26	9.11	2.46	0.27	2832	8.84	2.39	0.27	2980	8.71	2.35	0.27	3068	8.45	2.28	0.27	3157
28	18	7.76	6.13	0.79	2360	7.43	5.87	0.79	2478	7.13	5.63	0.79	2596	6.86	5.42	0.79	2714
28	20	8.09	5.42	0.67	2478	7.76	5.20	0.67	2626	7.52	5.04	0.67	2685	7.26	4.86	0.67	2803
28	22	8.42	4.63	0.55	2567	8.12	4.46	0.55	2729	7.92	4.36	0.55	2803	7.59	4.17	0.55	2921
28	24	8.84	3.80	0.43	2685	8.51	3.66	0.43	2832	8.32	3.58	0.43	2921	8.05	3.46	0.43	3068
28	26	9.11	2.82	0.31	2832	8.84	2.74	0.31	2980	8.71	2.70	0.31	3068	8.45	2.62	0.31	3157
29	18	7.76	6.44	0.83	2360	7.43	6.16	0.83	2478	7.13	5.92	0.83	2596	6.86	5.70	0.83	2714
29	20	8.09	5.74	0.71	2478	7.76	5.51	0.71	2626	7.52	5.34	0.71	2685	7.26	5.15	0.71	2803
29	22	8.42	4.96	0.59	2567	8.12	4.79	0.59	2729	7.92	4.67	0.59	2803	7.59	4.48	0.59	2921
29	24	8.84	4.16	0.47	2685	8.51	4.00	0.47	2832	8.32	3.91	0.47	2921	8.05	3.78	0.47	3068
29	26	9.11	3.19	0.35	2832	8.84	3.10	0.35	2980	8.71	3.05	0.35	3068	8.45	2.96	0.35	3157
30	18	7.76	6.75	0.87	2360	7.43	6.46	0.87	2478	7.13	6.20	0.87	2596	6.86	5.97	0.87	2714
30	20	8.09	6.06	0.75	2478	7.76	5.82	0.75	2626	7.52	5.64	0.75	2685	7.26	5.45	0.75	2803
30	22	8.42	5.30	0.63	2567	8.12	5.11	0.63	2729	7.92	4.99	0.63	2803	7.59	4.78	0.63	2921
30	24	8.84	4.51	0.51	2685	8.51	4.34	0.51	2832	8.32	4.24	0.51	2921	8.05	4.11	0.51	3068
30	26	9.11	3.55	0.39	2832	8.84	3.45	0.39	2980	8.71	3.40	0.39	3068	8.45	3.29	0.39	3157
31	18	7.76	7.06	0.91	2360	7.43	6.76	0.91	2478	7.13	6.49	0.91	2596	6.86	6.25	0.91	2714
31	20	8.09	6.39	0.79	2478	7.76	6.13	0.79	2626	7.52	5.94	0.79	2685	7.26	5.74	0.79	2803
31	22	8.42	5.64	0.67	2567	8.12	5.44	0.67	2729	7.92	5.31	0.67	2803	7.59	5.09	0.67	2921
31	24	8.84	4.86	0.55	2685	8.51	4.68	0.55	2832	8.32	4.57	0.55	2921	8.05	4.43	0.55	3068
31	26	9.11	3.92	0.43	2832	8.84	3.80	0.43	2980	8.71	3.75	0.43	3068	8.45	3.63	0.43	3157
32	18	7.76	7.37	0.95	2360	7.43	7.05	0.95	2478	7.13	6.77	0.95	2596	6.86	6.52	0.95	2714
32	20	8.09	6.71	0.83	2478	7.76	6.44	0.83	2626	7.52	6.24	0.83	2685	7.26	6.03	0.83	2803
32	22	8.42	5.97	0.71	2567	8.12	5.76	0.71	2729	7.92	5.62	0.71	2803	7.59	5.39	0.71	2921
32	24	8.84	5.22	0.59	2685	8.51	5.02	0.59	2832	8.32	4.91	0.59	2921	8.05	4.75	0.59	3068
32	26	9.11	4.28	0.47	2832	8.84	4.16	0.47	2980	8.71	4.09	0.47	3068	8.45	3.97	0.47	3157



**PERFORMANCE DATA**

**COOLING operation(220V, 50Hz)**

**SEH-2.5AR / SUH-2.5VR**

CAPACITY : 6.6 kW INPUT : 2950 W SHF : 0.69

		OUTDOOR DB(°C)											
INDOOR DB(°C)	INDOOR WB(°C)	35				40				46			
		Q	SHC	SHF	INPUT	Q	SHC	SHF	INPUT	Q	SHC	SHF	INPUT
21	18	6.47	3.30	0.51	2891	5.94	3.03	0.51	3068	5.48	2.79	0.51	3186
21	20	6.80	2.65	0.39	3009	6.34	2.47	0.39	3157	5.87	2.29	0.39	3334
22	18	6.47	3.56	0.55	2891	5.94	3.27	0.55	3068	5.48	3.01	0.55	3186
22	20	6.80	2.92	0.43	3009	6.34	2.72	0.43	3157	5.87	2.53	0.43	3334
22	22	7.19	2.23	0.31	3127	6.73	2.09	0.31	3304	6.27	1.94	0.31	3422
23	18	6.47	3.82	0.59	2891	5.94	3.50	0.59	3068	5.48	3.23	0.59	3186
23	20	6.80	3.20	0.47	3009	6.34	2.98	0.47	3157	5.87	2.76	0.47	3334
23	22	7.19	2.52	0.35	3127	6.73	2.36	0.35	3304	6.27	2.19	0.35	3422
24	18	6.47	4.07	0.63	2891	5.94	3.74	0.63	3068	5.48	3.45	0.63	3186
24	20	6.80	3.47	0.51	3009	6.34	3.23	0.51	3157	5.87	3.00	0.51	3334
24	22	7.19	2.81	0.39	3127	6.73	2.63	0.39	3304	6.27	2.45	0.39	3422
24	24	7.59	2.05	0.27	3245	7.13	1.92	0.27	3393	6.73	1.82	0.27	3540
25	20	6.80	3.74	0.55	3009	6.34	3.48	0.55	3157	5.87	3.23	0.55	3334
25	22	7.19	3.09	0.43	3127	6.73	2.89	0.43	3304	6.27	2.70	0.43	3422
25	24	7.59	2.35	0.31	3245	7.13	2.21	0.31	3393	6.73	2.09	0.31	3540
26	18	6.47	4.59	0.71	2891	5.94	4.22	0.71	3068	5.48	3.89	0.71	3186
26	20	6.80	4.01	0.59	3009	6.34	3.74	0.59	3157	5.87	3.47	0.59	3334
26	22	7.19	3.38	0.47	3127	6.73	3.16	0.47	3304	6.27	2.95	0.47	3422
26	24	7.59	2.66	0.35	3245	7.13	2.49	0.35	3393	6.73	2.36	0.35	3540
26	26	7.99	1.84	0.23	3363	7.52	1.73	0.23	3511	7.06	1.62	0.23	3658
27	18	6.47	4.85	0.75	2891	5.94	4.46	0.75	3068	5.48	4.11	0.75	3186
27	20	6.80	4.28	0.63	3009	6.34	3.99	0.63	3157	5.87	3.70	0.63	3334
27	22	7.19	3.67	0.51	3127	6.73	3.43	0.51	3304	6.27	3.20	0.51	3422
27	24	7.59	2.96	0.39	3245	7.13	2.78	0.39	3393	6.73	2.63	0.39	3540
27	26	7.99	2.16	0.27	3363	7.52	2.03	0.27	3511	7.06	1.91	0.27	3658
28	18	6.47	5.11	0.79	2891	5.94	4.69	0.79	3068	5.48	4.33	0.79	3186
28	20	6.80	4.55	0.67	3009	6.34	4.25	0.67	3157	5.87	3.94	0.67	3334
28	22	7.19	3.96	0.55	3127	6.73	3.70	0.55	3304	6.27	3.45	0.55	3422
28	24	7.59	3.26	0.43	3245	7.13	3.07	0.43	3393	6.73	2.89	0.43	3540
28	26	7.99	2.48	0.31	3363	7.52	2.33	0.31	3511	7.06	2.19	0.31	3658
29	18	6.47	5.37	0.83	2891	5.94	4.93	0.83	3068	5.48	4.55	0.83	3186
29	20	6.80	4.83	0.71	3009	6.34	4.50	0.71	3157	5.87	4.17	0.71	3334
29	22	7.19	4.24	0.59	3127	6.73	3.97	0.59	3304	6.27	3.70	0.59	3422
29	24	7.59	3.57	0.47	3245	7.13	3.35	0.47	3393	6.73	3.16	0.47	3540
29	26	7.99	2.80	0.35	3363	7.52	2.63	0.35	3511	7.06	2.47	0.35	3658
30	18	6.47	5.63	0.87	2891	5.94	5.17	0.87	3068	5.48	4.77	0.87	3186
30	20	6.80	5.10	0.75	3009	6.34	4.75	0.75	3157	5.87	4.41	0.75	3334
30	22	7.19	4.53	0.63	3127	6.73	4.24	0.63	3304	6.27	3.95	0.63	3422
30	24	7.59	3.87	0.51	3245	7.13	3.64	0.51	3393	6.73	3.43	0.51	3540
30	26	7.99	3.11	0.39	3363	7.52	2.93	0.39	3511	7.06	2.75	0.39	3658
31	18	6.47	5.89	0.91	2891	5.94	5.41	0.91	3068	5.48	4.98	0.91	3186
31	20	6.80	5.37	0.79	3009	6.34	5.01	0.79	3157	5.87	4.64	0.79	3334
31	22	7.19	4.82	0.67	3127	6.73	4.51	0.67	3304	6.27	4.20	0.67	3422
31	24	7.59	4.17	0.55	3245	7.13	3.92	0.55	3393	6.73	3.70	0.55	3540
31	26	7.99	3.43	0.43	3363	7.52	3.24	0.43	3511	7.06	3.04	0.43	3658
32	18	6.47	6.14	0.95	2891	5.94	5.64	0.95	3068	5.48	5.20	0.95	3186
32	20	6.80	5.64	0.83	3009	6.34	5.26	0.83	3157	5.87	4.88	0.83	3334
32	22	7.19	5.11	0.71	3127	6.73	4.78	0.71	3304	6.27	4.45	0.71	3422
32	24	7.59	4.48	0.59	3245	7.13	4.21	0.59	3393	6.73	3.97	0.59	3540
32	26	7.99	3.75	0.47	3363	7.52	3.54	0.47	3511	7.06	3.32	0.47	3658

**PERFORMANCE DATA**  
**COOLING operation(240V, 50Hz)**  
**SEH-2.5AR / SUH-2.5VR**

CAPACITY : 6.7 kW INPUT : 2950 W SHF : 0.69

		OUTDOOR DB(°C)															
INDOOR DB(°C)	INDOOR WB(°C)	21				25				27				30			
		Q	SHC	SHF	INPUT	Q	SHC	SHF	INPUT	Q	SHC	SHF	INPUT	Q	SHC	SHF	INPUT
21	18	7.87	4.01	0.51	2360	7.54	3.84	0.51	2478	7.24	3.69	0.51	2596	6.97	3.55	0.51	2714
21	20	8.21	3.20	0.39	2478	7.87	3.07	0.39	2626	7.64	2.98	0.39	2685	7.37	2.87	0.39	2803
22	18	7.87	4.33	0.55	2360	7.54	4.15	0.55	2478	7.24	3.98	0.55	2596	6.97	3.83	0.55	2714
22	20	8.21	3.53	0.43	2478	7.87	3.39	0.43	2626	7.64	3.28	0.43	2685	7.37	3.17	0.43	2803
22	22	8.54	2.65	0.31	2567	8.24	2.55	0.31	2729	8.04	2.49	0.31	2803	7.71	2.39	0.31	2921
23	18	7.87	4.64	0.59	2360	7.54	4.45	0.59	2478	7.24	4.27	0.59	2596	6.97	4.11	0.59	2714
23	20	8.21	3.86	0.47	2478	7.87	3.70	0.47	2626	7.64	3.59	0.47	2685	7.37	3.46	0.47	2803
23	22	8.54	2.99	0.35	2567	8.24	2.88	0.35	2729	8.04	2.81	0.35	2803	7.71	2.70	0.35	2921
24	18	7.87	4.96	0.63	2360	7.54	4.75	0.63	2478	7.24	4.56	0.63	2596	6.97	4.39	0.63	2714
24	20	8.21	4.19	0.51	2478	7.87	4.01	0.51	2626	7.64	3.90	0.51	2685	7.37	3.76	0.51	2803
24	22	8.54	3.33	0.39	2567	8.24	3.21	0.39	2729	8.04	3.14	0.39	2803	7.71	3.00	0.39	2921
24	24	8.98	2.42	0.27	2685	8.64	2.33	0.27	2832	8.44	2.28	0.27	2921	8.17	2.21	0.27	3068
25	20	8.21	4.51	0.55	2478	7.87	4.33	0.55	2626	7.64	4.20	0.55	2685	7.37	4.05	0.55	2803
25	22	8.54	3.67	0.43	2567	8.24	3.54	0.43	2729	8.04	3.46	0.43	2803	7.71	3.31	0.43	2921
25	24	8.98	2.78	0.31	2685	8.64	2.68	0.31	2832	8.44	2.62	0.31	2921	8.17	2.53	0.31	3068
26	18	7.87	5.59	0.71	2360	7.54	5.35	0.71	2478	7.24	5.14	0.71	2596	6.97	4.95	0.71	2714
26	20	8.21	4.84	0.59	2478	7.87	4.64	0.59	2626	7.64	4.51	0.59	2685	7.37	4.35	0.59	2803
26	22	8.54	4.01	0.47	2567	8.24	3.87	0.47	2729	8.04	3.78	0.47	2803	7.71	3.62	0.47	2921
26	24	8.98	3.14	0.35	2685	8.64	3.03	0.35	2832	8.44	2.95	0.35	2921	8.17	2.86	0.35	3068
26	26	9.25	2.13	0.23	2832	8.98	2.06	0.23	2980	8.84	2.03	0.23	3068	8.58	1.97	0.23	3157
27	18	7.87	5.90	0.75	2360	7.54	5.65	0.75	2478	7.24	5.43	0.75	2596	6.97	5.23	0.75	2714
27	20	8.21	5.17	0.63	2478	7.87	4.96	0.63	2626	7.64	4.81	0.63	2685	7.37	4.64	0.63	2803
27	22	8.54	4.36	0.51	2567	8.24	4.20	0.51	2729	8.04	4.10	0.51	2803	7.71	3.93	0.51	2921
27	24	8.98	3.50	0.39	2685	8.64	3.37	0.39	2832	8.44	3.29	0.39	2921	8.17	3.19	0.39	3068
27	26	9.25	2.50	0.27	2832	8.98	2.42	0.27	2980	8.84	2.39	0.27	3068	8.58	2.32	0.27	3157
28	18	7.87	6.22	0.79	2360	7.54	5.95	0.79	2478	7.24	5.72	0.79	2596	6.97	5.50	0.79	2714
28	20	8.21	5.50	0.67	2478	7.87	5.27	0.67	2626	7.64	5.12	0.67	2685	7.37	4.94	0.67	2803
28	22	8.54	4.70	0.55	2567	8.24	4.53	0.55	2729	8.04	4.42	0.55	2803	7.71	4.24	0.55	2921
28	24	8.98	3.86	0.43	2685	8.64	3.72	0.43	2832	8.44	3.63	0.43	2921	8.17	3.51	0.43	3068
28	26	9.25	2.87	0.31	2832	8.98	2.78	0.31	2980	8.84	2.74	0.31	3068	8.58	2.66	0.31	3157
29	18	7.87	6.53	0.83	2360	7.54	6.26	0.83	2478	7.24	6.01	0.83	2596	6.97	5.78	0.83	2714
29	20	8.21	5.83	0.71	2478	7.87	5.59	0.71	2626	7.64	5.42	0.71	2685	7.37	5.23	0.71	2803
29	22	8.54	5.04	0.59	2567	8.24	4.86	0.59	2729	8.04	4.74	0.59	2803	7.71	4.55	0.59	2921
29	24	8.98	4.22	0.47	2685	8.64	4.06	0.47	2832	8.44	3.97	0.47	2921	8.17	3.84	0.47	3068
29	26	9.25	3.24	0.35	2832	8.98	3.14	0.35	2980	8.84	3.10	0.35	3068	8.58	3.00	0.35	3157
30	18	7.87	6.85	0.87	2360	7.54	6.56	0.87	2478	7.24	6.30	0.87	2596	6.97	6.06	0.87	2714
30	20	8.21	6.16	0.75	2478	7.87	5.90	0.75	2626	7.64	5.73	0.75	2685	7.37	5.53	0.75	2803
30	22	8.54	5.38	0.63	2567	8.24	5.19	0.63	2729	8.04	5.07	0.63	2803	7.71	4.85	0.63	2921
30	24	8.98	4.58	0.51	2685	8.64	4.41	0.51	2832	8.44	4.31	0.51	2921	8.17	4.17	0.51	3068
30	26	9.25	3.61	0.39	2832	8.98	3.50	0.39	2980	8.84	3.45	0.39	3068	8.58	3.34	0.39	3157
31	18	7.87	7.16	0.91	2360	7.54	6.86	0.91	2478	7.24	6.58	0.91	2596	6.97	6.34	0.91	2714
31	20	8.21	6.48	0.79	2478	7.87	6.22	0.79	2626	7.64	6.03	0.79	2685	7.37	5.82	0.79	2803
31	22	8.54	5.72	0.67	2567	8.24	5.52	0.67	2729	8.04	5.39	0.67	2803	7.71	5.16	0.67	2921
31	24	8.98	4.94	0.55	2685	8.64	4.75	0.55	2832	8.44	4.64	0.55	2921	8.17	4.50	0.55	3068
31	26	9.25	3.98	0.43	2832	8.98	3.86	0.43	2980	8.84	3.80	0.43	3068	8.58	3.69	0.43	3157
32	18	7.87	7.48	0.95	2360	7.54	7.16	0.95	2478	7.24	6.87	0.95	2596	6.97	6.62	0.95	2714
32	20	8.21	6.81	0.83	2478	7.87	6.53	0.83	2626	7.64	6.34	0.83	2685	7.37	6.12	0.83	2803
32	22	8.54	6.07	0.71	2567	8.24	5.85	0.71	2729	8.04	5.71	0.71	2803	7.71	5.47	0.71	2921
32	24	8.98	5.30	0.59	2685	8.64	5.10	0.59	2832	8.44	4.98	0.59	2921	8.17	4.82	0.59	3068
32	26	9.25	4.35	0.47	2832	8.98	4.22	0.47	2980	8.84	4.16	0.47	3068	8.58	4.03	0.47	3157

**PERFORMANCE DATA**  
**COOLING operation(240V, 50Hz)**  
**SEH-2.5AR / SUH-2.5VR**

CAPACITY : 6.7 kW INPUT : 2950 W SHF : 0.69

		OUTDOOR DB(°C)											
INDOOR DB(°C)	INDOOR WB(°C)	35				40				46			
		Q	SHC	SHF	INPUT	Q	SHC	SHF	INPUT	Q	SHC	SHF	INPUT
21	18	6.57	3.35	0.51	2891	6.03	3.08	0.51	3068	5.56	2.84	0.51	3186
21	20	6.90	2.69	0.39	3009	6.43	2.51	0.39	3157	5.96	2.33	0.39	3334
22	18	6.57	3.61	0.55	2891	6.03	3.32	0.55	3068	5.56	3.06	0.55	3186
22	20	6.90	2.97	0.43	3009	6.43	2.77	0.43	3157	5.96	2.56	0.43	3334
22	22	7.30	2.26	0.31	3127	6.83	2.12	0.31	3304	6.37	1.97	0.31	3422
23	18	6.57	3.87	0.59	2891	6.03	3.56	0.59	3068	5.56	3.28	0.59	3186
23	20	6.90	3.24	0.47	3009	6.43	3.02	0.47	3157	5.96	2.80	0.47	3334
23	22	7.30	2.56	0.35	3127	6.83	2.39	0.35	3304	6.37	2.23	0.35	3422
24	18	6.57	4.14	0.63	2891	6.03	3.80	0.63	3068	5.56	3.50	0.63	3186
24	20	6.90	3.52	0.51	3009	6.43	3.28	0.51	3157	5.96	3.04	0.51	3334
24	22	7.30	2.85	0.39	3127	6.83	2.67	0.39	3304	6.37	2.48	0.39	3422
24	24	7.71	2.08	0.27	3245	7.24	1.95	0.27	3393	6.83	1.85	0.27	3540
25	20	6.90	3.80	0.55	3009	6.43	3.54	0.55	3157	5.96	3.28	0.55	3334
25	22	7.30	3.14	0.43	3127	6.83	2.94	0.43	3304	6.37	2.74	0.43	3422
25	24	7.71	2.39	0.31	3245	7.24	2.24	0.31	3393	6.83	2.12	0.31	3540
26	18	6.57	4.66	0.71	2891	6.03	4.28	0.71	3068	5.56	3.95	0.71	3186
26	20	6.90	4.07	0.59	3009	6.43	3.79	0.59	3157	5.96	3.52	0.59	3334
26	22	7.30	3.43	0.47	3127	6.83	3.21	0.47	3304	6.37	2.99	0.47	3422
26	24	7.71	2.70	0.35	3245	7.24	2.53	0.35	3393	6.83	2.39	0.35	3540
26	26	8.11	1.86	0.23	3363	7.64	1.76	0.23	3511	7.17	1.65	0.23	3658
27	18	6.57	4.92	0.75	2891	6.03	4.52	0.75	3068	5.56	4.17	0.75	3186
27	20	6.90	4.35	0.63	3009	6.43	4.05	0.63	3157	5.96	3.76	0.63	3334
27	22	7.30	3.72	0.51	3127	6.83	3.49	0.51	3304	6.37	3.25	0.51	3422
27	24	7.71	3.00	0.39	3245	7.24	2.82	0.39	3393	6.83	2.67	0.39	3540
27	26	8.11	2.19	0.27	3363	7.64	2.06	0.27	3511	7.17	1.94	0.27	3658
28	18	6.57	5.19	0.79	2891	6.03	4.76	0.79	3068	5.56	4.39	0.79	3186
28	20	6.90	4.62	0.67	3009	6.43	4.31	0.67	3157	5.96	4.00	0.67	3334
28	22	7.30	4.02	0.55	3127	6.83	3.76	0.55	3304	6.37	3.50	0.55	3422
28	24	7.71	3.31	0.43	3245	7.24	3.11	0.43	3393	6.83	2.94	0.43	3540
28	26	8.11	2.51	0.31	3363	7.64	2.37	0.31	3511	7.17	2.22	0.31	3658
29	18	6.57	5.45	0.83	2891	6.03	5.00	0.83	3068	5.56	4.62	0.83	3186
29	20	6.90	4.90	0.71	3009	6.43	4.57	0.71	3157	5.96	4.23	0.71	3334
29	22	7.30	4.31	0.59	3127	6.83	4.03	0.59	3304	6.37	3.76	0.59	3422
29	24	7.71	3.62	0.47	3245	7.24	3.40	0.47	3393	6.83	3.21	0.47	3540
29	26	8.11	2.84	0.35	3363	7.64	2.67	0.35	3511	7.17	2.51	0.35	3658
30	18	6.57	5.71	0.87	2891	6.03	5.25	0.87	3068	5.56	4.84	0.87	3186
30	20	6.90	5.18	0.75	3009	6.43	4.82	0.75	3157	5.96	4.47	0.75	3334
30	22	7.30	4.60	0.63	3127	6.83	4.31	0.63	3304	6.37	4.01	0.63	3422
30	24	7.71	3.93	0.51	3245	7.24	3.69	0.51	3393	6.83	3.49	0.51	3540
30	26	8.11	3.16	0.39	3363	7.64	2.98	0.39	3511	7.17	2.80	0.39	3658
31	18	6.57	5.98	0.91	2891	6.03	5.49	0.91	3068	5.56	5.06	0.91	3186
31	20	6.90	5.45	0.79	3009	6.43	5.08	0.79	3157	5.96	4.71	0.79	3334
31	22	7.30	4.89	0.67	3127	6.83	4.58	0.67	3304	6.37	4.26	0.67	3422
31	24	7.71	4.24	0.55	3245	7.24	3.98	0.55	3393	6.83	3.76	0.55	3540
31	26	8.11	3.49	0.43	3363	7.64	3.28	0.43	3511	7.17	3.08	0.43	3658
32	18	6.57	6.24	0.95	2891	6.03	5.73	0.95	3068	5.56	5.28	0.95	3186
32	20	6.90	5.73	0.83	3009	6.43	5.34	0.83	3157	5.96	4.95	0.83	3334
32	22	7.30	5.19	0.71	3127	6.83	4.85	0.71	3304	6.37	4.52	0.71	3422
32	24	7.71	4.55	0.59	3245	7.24	4.27	0.59	3393	6.83	4.03	0.59	3540
32	26	8.11	3.81	0.47	3363	7.64	3.59	0.47	3511	7.17	3.37	0.47	3658

**PERFORMANCE DATA**  
**COOLING operation(220V, 50Hz)**  
**SE-1.6AR / SU-1.6VR**

CAPACITY : 4.0 kW INPUT : 1490 W SHF : 0.72

INDOOR DB(°C)	INDOOR WB(°C)	OUTDOOR DB(°C)															
		21				25				27				30			
		Q	SHC	SHF	INPUT	Q	SHC	SHF	INPUT	Q	SHC	SHF	INPUT	Q	SHC	SHF	INPUT
21	18	4.70	2.54	0.54	1192	4.50	2.43	0.54	1252	4.32	2.33	0.54	1311	4.16	2.25	0.54	1371
21	20	4.90	2.06	0.42	1252	4.70	1.97	0.42	1326	4.56	1.92	0.42	1356	4.40	1.85	0.42	1416
22	18	4.70	2.73	0.58	1192	4.50	2.61	0.58	1252	4.32	2.51	0.58	1311	4.16	2.41	0.58	1371
22	20	4.90	2.25	0.46	1252	4.70	2.16	0.46	1326	4.56	2.10	0.46	1356	4.40	2.02	0.46	1416
22	22	5.10	1.73	0.34	1296	4.92	1.67	0.34	1378	4.80	1.63	0.34	1416	4.60	1.56	0.34	1475
23	18	4.70	2.91	0.62	1192	4.50	2.79	0.62	1252	4.32	2.68	0.62	1311	4.16	2.58	0.62	1371
23	20	4.90	2.45	0.50	1252	4.70	2.35	0.50	1326	4.56	2.28	0.50	1356	4.40	2.20	0.50	1416
23	22	5.10	1.94	0.38	1296	4.92	1.87	0.38	1378	4.80	1.82	0.38	1416	4.60	1.75	0.38	1475
24	18	4.70	3.10	0.66	1192	4.50	2.97	0.66	1252	4.32	2.85	0.66	1311	4.16	2.75	0.66	1371
24	20	4.90	2.65	0.54	1252	4.70	2.54	0.54	1326	4.56	2.46	0.54	1356	4.40	2.38	0.54	1416
24	22	5.10	2.14	0.42	1296	4.92	2.07	0.42	1378	4.80	2.02	0.42	1416	4.60	1.93	0.42	1475
24	24	5.36	1.61	0.30	1356	5.16	1.55	0.30	1430	5.04	1.51	0.30	1475	4.88	1.46	0.30	1550
25	20	4.90	2.84	0.58	1252	4.70	2.73	0.58	1326	4.56	2.64	0.58	1356	4.40	2.55	0.58	1416
25	22	5.10	2.35	0.46	1296	4.92	2.26	0.46	1378	4.80	2.21	0.46	1416	4.60	2.12	0.46	1475
25	24	5.36	1.82	0.34	1356	5.16	1.75	0.34	1430	5.04	1.71	0.34	1475	4.88	1.66	0.34	1550
26	18	4.70	3.48	0.74	1192	4.50	3.33	0.74	1252	4.32	3.20	0.74	1311	4.16	3.08	0.74	1371
26	20	4.90	3.04	0.62	1252	4.70	2.91	0.62	1326	4.56	2.83	0.62	1356	4.40	2.73	0.62	1416
26	22	5.10	2.55	0.50	1296	4.92	2.46	0.50	1378	4.80	2.40	0.50	1416	4.60	2.30	0.50	1475
26	24	5.36	2.04	0.38	1356	5.16	1.96	0.38	1430	5.04	1.92	0.38	1475	4.88	1.85	0.38	1550
26	26	5.52	1.44	0.26	1430	5.36	1.39	0.26	1505	5.28	1.37	0.26	1550	5.12	1.33	0.26	1594
27	18	4.70	3.67	0.78	1192	4.50	3.51	0.78	1252	4.32	3.37	0.78	1311	4.16	3.24	0.78	1371
27	20	4.90	3.23	0.66	1252	4.70	3.10	0.66	1326	4.56	3.01	0.66	1356	4.40	2.90	0.66	1416
27	22	5.10	2.75	0.54	1296	4.92	2.66	0.54	1378	4.80	2.59	0.54	1416	4.60	2.48	0.54	1475
27	24	5.36	2.25	0.42	1356	5.16	2.17	0.42	1430	5.04	2.12	0.42	1475	4.88	2.05	0.42	1550
27	26	5.52	1.66	0.30	1430	5.36	1.61	0.30	1505	5.28	1.58	0.30	1550	5.12	1.54	0.30	1594
28	18	4.70	3.85	0.82	1192	4.50	3.69	0.82	1252	4.32	3.54	0.82	1311	4.16	3.41	0.82	1371
28	20	4.90	3.43	0.70	1252	4.70	3.29	0.70	1326	4.56	3.19	0.70	1356	4.40	3.08	0.70	1416
28	22	5.10	2.96	0.58	1296	4.92	2.85	0.58	1378	4.80	2.78	0.58	1416	4.60	2.67	0.58	1475
28	24	5.36	2.47	0.46	1356	5.16	2.37	0.46	1430	5.04	2.32	0.46	1475	4.88	2.24	0.46	1550
28	26	5.52	1.88	0.34	1430	5.36	1.82	0.34	1505	5.28	1.80	0.34	1550	5.12	1.74	0.34	1594
29	18	4.70	4.04	0.86	1192	4.50	3.87	0.86	1252	4.32	3.72	0.86	1311	4.16	3.58	0.86	1371
29	20	4.90	3.63	0.74	1252	4.70	3.48	0.74	1326	4.56	3.37	0.74	1356	4.40	3.26	0.74	1416
29	22	5.10	3.16	0.62	1296	4.92	3.05	0.62	1378	4.80	2.98	0.62	1416	4.60	2.85	0.62	1475
29	24	5.36	2.68	0.50	1356	5.16	2.58	0.50	1430	5.04	2.52	0.50	1475	4.88	2.44	0.50	1550
29	26	5.52	2.10	0.38	1430	5.36	2.04	0.38	1505	5.28	2.01	0.38	1550	5.12	1.95	0.38	1594
30	18	4.70	4.23	0.90	1192	4.50	4.05	0.90	1252	4.32	3.89	0.90	1311	4.16	3.74	0.90	1371
30	20	4.90	3.82	0.78	1252	4.70	3.67	0.78	1326	4.56	3.56	0.78	1356	4.40	3.43	0.78	1416
30	22	5.10	3.37	0.66	1296	4.92	3.25	0.66	1378	4.80	3.17	0.66	1416	4.60	3.04	0.66	1475
30	24	5.36	2.89	0.54	1356	5.16	2.79	0.54	1430	5.04	2.72	0.54	1475	4.88	2.64	0.54	1550
30	26	5.52	2.32	0.42	1430	5.36	2.25	0.42	1505	5.28	2.22	0.42	1550	5.12	2.15	0.42	1594
31	18	4.70	4.42	0.94	1192	4.50	4.23	0.94	1252	4.32	4.06	0.94	1311	4.16	3.91	0.94	1371
31	20	4.90	4.02	0.82	1252	4.70	3.85	0.82	1326	4.56	3.74	0.82	1356	4.40	3.61	0.82	1416
31	22	5.10	3.57	0.70	1296	4.92	3.44	0.70	1378	4.80	3.36	0.70	1416	4.60	3.22	0.70	1475
31	24	5.36	3.11	0.58	1356	5.16	2.99	0.58	1430	5.04	2.92	0.58	1475	4.88	2.83	0.58	1550
31	26	5.52	2.54	0.46	1430	5.36	2.47	0.46	1505	5.28	2.43	0.46	1550	5.12	2.36	0.46	1594
32	18	4.70	4.61	0.98	1192	4.50	4.41	0.98	1252	4.32	4.23	0.98	1311	4.16	4.08	0.98	1371
32	20	4.90	4.21	0.86	1252	4.70	4.04	0.86	1326	4.56	3.92	0.86	1356	4.40	3.78	0.86	1416
32	22	5.10	3.77	0.74	1296	4.92	3.64	0.74	1378	4.80	3.55	0.74	1416	4.60	3.40	0.74	1475
32	24	5.36	3.32	0.62	1356	5.16	3.20	0.62	1430	5.04	3.12	0.62	1475	4.88	3.03	0.62	1550
32	26	5.52	2.76	0.50	1430	5.36	2.68	0.50	1505	5.28	2.64	0.50	1550	5.12	2.56	0.50	1594

**PERFORMANCE DATA**

**COOLING operation(220V, 50Hz)**

**SE-1.6AR / SU-1.6VR**

CAPACITY : 4.0 kW INPUT : 1490 W SHF : 0.72

		OUTDOOR DB(°C)											
INDOOR DB(°C)	INDOOR WB(°C)	35				40				46			
		Q	SHC	SHF	INPUT	Q	SHC	SHF	INPUT	Q	SHC	SHF	INPUT
21	18	3.92	2.12	0.54	1460	3.60	1.94	0.54	1550	3.32	1.79	0.54	1609
21	20	4.12	1.73	0.42	1520	3.84	1.61	0.42	1594	3.56	1.50	0.42	1684
22	18	3.92	2.27	0.58	1460	3.60	2.09	0.58	1550	3.32	1.93	0.58	1609
22	20	4.12	1.90	0.46	1520	3.84	1.77	0.46	1594	3.56	1.64	0.46	1684
22	22	4.36	1.48	0.34	1579	4.08	1.39	0.34	1669	3.80	1.29	0.34	1728
23	18	3.92	2.43	0.62	1460	3.60	2.23	0.62	1550	3.32	2.06	0.62	1609
23	20	4.12	2.06	0.50	1520	3.84	1.92	0.50	1594	3.56	1.78	0.50	1684
23	22	4.36	1.66	0.38	1579	4.08	1.55	0.38	1669	3.80	1.44	0.38	1728
24	18	3.92	2.59	0.66	1460	3.60	2.38	0.66	1550	3.32	2.19	0.66	1609
24	20	4.12	2.22	0.54	1520	3.84	2.07	0.54	1594	3.56	1.92	0.54	1684
24	22	4.36	1.83	0.42	1579	4.08	1.71	0.42	1669	3.80	1.60	0.42	1728
24	24	4.60	1.38	0.30	1639	4.32	1.30	0.30	1714	4.08	1.22	0.30	1788
25	20	4.12	2.39	0.58	1520	3.84	2.23	0.58	1594	3.56	2.06	0.58	1684
25	22	4.36	2.01	0.46	1579	4.08	1.88	0.46	1669	3.80	1.75	0.46	1728
25	24	4.60	1.56	0.34	1639	4.32	1.47	0.34	1714	4.08	1.39	0.34	1788
26	18	3.92	2.90	0.74	1460	3.60	2.66	0.74	1550	3.32	2.46	0.74	1609
26	20	4.12	2.55	0.62	1520	3.84	2.38	0.62	1594	3.56	2.21	0.62	1684
26	22	4.36	2.18	0.50	1579	4.08	2.04	0.50	1669	3.80	1.90	0.50	1728
26	24	4.60	1.75	0.38	1639	4.32	1.64	0.38	1714	4.08	1.55	0.38	1788
26	26	4.84	1.26	0.26	1699	4.56	1.19	0.26	1773	4.28	1.11	0.26	1848
27	18	3.92	3.06	0.78	1460	3.60	2.81	0.78	1550	3.32	2.59	0.78	1609
27	20	4.12	2.72	0.66	1520	3.84	2.53	0.66	1594	3.56	2.35	0.66	1684
27	22	4.36	2.35	0.54	1579	4.08	2.20	0.54	1669	3.80	2.05	0.54	1728
27	24	4.60	1.93	0.42	1639	4.32	1.81	0.42	1714	4.08	1.71	0.42	1788
27	26	4.84	1.45	0.30	1699	4.56	1.37	0.30	1773	4.28	1.28	0.30	1848
28	18	3.92	3.21	0.82	1460	3.60	2.95	0.82	1550	3.32	2.72	0.82	1609
28	20	4.12	2.88	0.70	1520	3.84	2.69	0.70	1594	3.56	2.49	0.70	1684
28	22	4.36	2.53	0.58	1579	4.08	2.37	0.58	1669	3.80	2.20	0.58	1728
28	24	4.60	2.12	0.46	1639	4.32	1.99	0.46	1714	4.08	1.88	0.46	1788
28	26	4.84	1.65	0.34	1699	4.56	1.55	0.34	1773	4.28	1.46	0.34	1848
29	18	3.92	3.37	0.86	1460	3.60	3.10	0.86	1550	3.32	2.86	0.86	1609
29	20	4.12	3.05	0.74	1520	3.84	2.84	0.74	1594	3.56	2.63	0.74	1684
29	22	4.36	2.70	0.62	1579	4.08	2.53	0.62	1669	3.80	2.36	0.62	1728
29	24	4.60	2.30	0.50	1639	4.32	2.16	0.50	1714	4.08	2.04	0.50	1788
29	26	4.84	1.84	0.38	1699	4.56	1.73	0.38	1773	4.28	1.63	0.38	1848
30	18	3.92	3.53	0.90	1460	3.60	3.24	0.90	1550	3.32	2.99	0.90	1609
30	20	4.12	3.21	0.78	1520	3.84	3.00	0.78	1594	3.56	2.78	0.78	1684
30	22	4.36	2.88	0.66	1579	4.08	2.69	0.66	1669	3.80	2.51	0.66	1728
30	24	4.60	2.48	0.54	1639	4.32	2.33	0.54	1714	4.08	2.20	0.54	1788
30	26	4.84	2.03	0.42	1699	4.56	1.92	0.42	1773	4.28	1.80	0.42	1848
31	18	3.92	3.68	0.94	1460	3.60	3.38	0.94	1550	3.32	3.12	0.94	1609
31	20	4.12	3.38	0.82	1520	3.84	3.15	0.82	1594	3.56	2.92	0.82	1684
31	22	4.36	3.05	0.70	1579	4.08	2.86	0.70	1669	3.80	2.66	0.70	1728
31	24	4.60	2.67	0.58	1639	4.32	2.51	0.58	1714	4.08	2.37	0.58	1788
31	26	4.84	2.23	0.46	1699	4.56	2.10	0.46	1773	4.28	1.97	0.46	1848
32	18	3.92	3.84	0.98	1460	3.60	3.53	0.98	1550	3.32	3.25	0.98	1609
32	20	4.12	3.54	0.86	1520	3.84	3.30	0.86	1594	3.56	3.06	0.86	1684
32	22	4.36	3.23	0.74	1579	4.08	3.02	0.74	1669	3.80	2.81	0.74	1728
32	24	4.60	2.85	0.62	1639	4.32	2.68	0.62	1714	4.08	2.53	0.62	1788
32	26	4.84	2.42	0.50	1699	4.56	2.28	0.50	1773	4.28	2.14	0.50	1848

**PERFORMANCE DATA**  
**COOLING operation(240V, 50Hz)**  
**SE-1.6AR / SU-1.6VR**

CAPACITY : 4.0 kW INPUT : 1550 W SHF : 0.72

INDOOR		OUTDOOR DB(°C)															
		21				25				27				30			
DB(°C)	WB(°C)	Q	SHC	SHF	INPUT	Q	SHC	SHF	INPUT	Q	SHC	SHF	INPUT	Q	SHC	SHF	INPUT
21	18	4.70	2.54	0.54	1240	4.50	2.43	0.54	1302	4.32	2.33	0.54	1364	4.16	2.25	0.54	1426
21	20	4.90	2.06	0.42	1302	4.70	1.97	0.42	1380	4.56	1.92	0.42	1411	4.40	1.85	0.42	1473
22	18	4.70	2.73	0.58	1240	4.50	2.61	0.58	1302	4.32	2.51	0.58	1364	4.16	2.41	0.58	1426
22	20	4.90	2.25	0.46	1302	4.70	2.16	0.46	1380	4.56	2.10	0.46	1411	4.40	2.02	0.46	1473
22	22	5.10	1.73	0.34	1349	4.92	1.67	0.34	1434	4.80	1.63	0.34	1473	4.60	1.56	0.34	1535
23	18	4.70	2.91	0.62	1240	4.50	2.79	0.62	1302	4.32	2.68	0.62	1364	4.16	2.58	0.62	1426
23	20	4.90	2.45	0.50	1302	4.70	2.35	0.50	1380	4.56	2.28	0.50	1411	4.40	2.20	0.50	1473
23	22	5.10	1.94	0.38	1349	4.92	1.87	0.38	1434	4.80	1.82	0.38	1473	4.60	1.75	0.38	1535
24	18	4.70	3.10	0.66	1240	4.50	2.97	0.66	1302	4.32	2.85	0.66	1364	4.16	2.75	0.66	1426
24	20	4.90	2.65	0.54	1302	4.70	2.54	0.54	1380	4.56	2.46	0.54	1411	4.40	2.38	0.54	1473
24	22	5.10	2.14	0.42	1349	4.92	2.07	0.42	1434	4.80	2.02	0.42	1473	4.60	1.93	0.42	1535
24	24	5.36	1.61	0.30	1411	5.16	1.55	0.30	1488	5.04	1.51	0.30	1535	4.88	1.46	0.30	1612
25	20	4.90	2.84	0.58	1302	4.70	2.73	0.58	1380	4.56	2.64	0.58	1411	4.40	2.55	0.58	1473
25	22	5.10	2.35	0.46	1349	4.92	2.26	0.46	1434	4.80	2.21	0.46	1473	4.60	2.12	0.46	1535
25	24	5.36	1.82	0.34	1411	5.16	1.75	0.34	1488	5.04	1.71	0.34	1535	4.88	1.66	0.34	1612
26	18	4.70	3.48	0.74	1240	4.50	3.33	0.74	1302	4.32	3.20	0.74	1364	4.16	3.08	0.74	1426
26	20	4.90	3.04	0.62	1302	4.70	2.91	0.62	1380	4.56	2.83	0.62	1411	4.40	2.73	0.62	1473
26	22	5.10	2.55	0.50	1349	4.92	2.46	0.50	1434	4.80	2.40	0.50	1473	4.60	2.30	0.50	1535
26	24	5.36	2.04	0.38	1411	5.16	1.96	0.38	1488	5.04	1.92	0.38	1535	4.88	1.85	0.38	1612
26	26	5.52	1.44	0.26	1488	5.36	1.39	0.26	1566	5.28	1.37	0.26	1612	5.12	1.33	0.26	1659
27	18	4.70	3.67	0.78	1240	4.50	3.51	0.78	1302	4.32	3.37	0.78	1364	4.16	3.24	0.78	1426
27	20	4.90	3.23	0.66	1302	4.70	3.10	0.66	1380	4.56	3.01	0.66	1411	4.40	2.90	0.66	1473
27	22	5.10	2.75	0.54	1349	4.92	2.66	0.54	1434	4.80	2.59	0.54	1473	4.60	2.48	0.54	1535
27	24	5.36	2.25	0.42	1411	5.16	2.17	0.42	1488	5.04	2.12	0.42	1535	4.88	2.05	0.42	1612
27	26	5.52	1.66	0.30	1488	5.36	1.61	0.30	1566	5.28	1.58	0.30	1612	5.12	1.54	0.30	1659
28	18	4.70	3.85	0.82	1240	4.50	3.69	0.82	1302	4.32	3.54	0.82	1364	4.16	3.41	0.82	1426
28	20	4.90	3.43	0.70	1302	4.70	3.29	0.70	1380	4.56	3.19	0.70	1411	4.40	3.08	0.70	1473
28	22	5.10	2.96	0.58	1349	4.92	2.85	0.58	1434	4.80	2.78	0.58	1473	4.60	2.67	0.58	1535
28	24	5.36	2.47	0.46	1411	5.16	2.37	0.46	1488	5.04	2.32	0.46	1535	4.88	2.24	0.46	1612
28	26	5.52	1.88	0.34	1488	5.36	1.82	0.34	1566	5.28	1.80	0.34	1612	5.12	1.74	0.34	1659
29	18	4.70	4.04	0.86	1240	4.50	3.87	0.86	1302	4.32	3.72	0.86	1364	4.16	3.58	0.86	1426
29	20	4.90	3.63	0.74	1302	4.70	3.48	0.74	1380	4.56	3.37	0.74	1411	4.40	3.26	0.74	1473
29	22	5.10	3.16	0.62	1349	4.92	3.05	0.62	1434	4.80	2.98	0.62	1473	4.60	2.85	0.62	1535
29	24	5.36	2.68	0.50	1411	5.16	2.58	0.50	1488	5.04	2.52	0.50	1535	4.88	2.44	0.50	1612
29	26	5.52	2.10	0.38	1488	5.36	2.04	0.38	1566	5.28	2.01	0.38	1612	5.12	1.95	0.38	1659
30	18	4.70	4.23	0.90	1240	4.50	4.05	0.90	1302	4.32	3.89	0.90	1364	4.16	3.74	0.90	1426
30	20	4.90	3.82	0.78	1302	4.70	3.67	0.78	1380	4.56	3.56	0.78	1411	4.40	3.43	0.78	1473
30	22	5.10	3.37	0.66	1349	4.92	3.25	0.66	1434	4.80	3.17	0.66	1473	4.60	3.04	0.66	1535
30	24	5.36	2.89	0.54	1411	5.16	2.79	0.54	1488	5.04	2.72	0.54	1535	4.88	2.64	0.54	1612
30	26	5.52	2.32	0.42	1488	5.36	2.25	0.42	1566	5.28	2.22	0.42	1612	5.12	2.15	0.42	1659
31	18	4.70	4.42	0.94	1240	4.50	4.23	0.94	1302	4.32	4.06	0.94	1364	4.16	3.91	0.94	1426
31	20	4.90	4.02	0.82	1302	4.70	3.85	0.82	1380	4.56	3.74	0.82	1411	4.40	3.61	0.82	1473
31	22	5.10	3.57	0.70	1349	4.92	3.44	0.70	1434	4.80	3.36	0.70	1473	4.60	3.22	0.70	1535
31	24	5.36	3.11	0.58	1411	5.16	2.99	0.58	1488	5.04	2.92	0.58	1535	4.88	2.83	0.58	1612
31	26	5.52	2.54	0.46	1488	5.36	2.47	0.46	1566	5.28	2.43	0.46	1612	5.12	2.36	0.46	1659
32	18	4.70	4.61	0.98	1240	4.50	4.41	0.98	1302	4.32	4.23	0.98	1364	4.16	4.08	0.98	1426
32	20	4.90	4.21	0.86	1302	4.70	4.04	0.86	1380	4.56	3.92	0.86	1411	4.40	3.78	0.86	1473
32	22	5.10	3.77	0.74	1349	4.92	3.64	0.74	1434	4.80	3.55	0.74	1473	4.60	3.40	0.74	1535
32	24	5.36	3.32	0.62	1411	5.16	3.20	0.62	1488	5.04	3.12	0.62	1535	4.88	3.03	0.62	1612
32	26	5.52	2.76	0.50	1488	5.36	2.68	0.50	1566	5.28	2.64	0.50	1612	5.12	2.56	0.50	1659

**PERFORMANCE DATA**

**COOLING operation(240V, 50Hz)**

**SE-1.6AR / SU-1.6VR**

CAPACITY : 4.0 kW INPUT : 1550 W SHF : 0.72

		OUTDOOR DB(°C)											
INDOOR DB(°C)	INDOOR WB(°C)	35				40				46			
		Q	SHC	SHF	INPUT	Q	SHC	SHF	INPUT	Q	SHC	SHF	INPUT
21	18	3.92	2.12	0.54	1519	3.60	1.94	0.54	1612	3.32	1.79	0.54	1674
21	20	4.12	1.73	0.42	1581	3.84	1.61	0.42	1659	3.56	1.50	0.42	1752
22	18	3.92	2.27	0.58	1519	3.60	2.09	0.58	1612	3.32	1.93	0.58	1674
22	20	4.12	1.90	0.46	1581	3.84	1.77	0.46	1659	3.56	1.64	0.46	1752
22	22	4.36	1.48	0.34	1643	4.08	1.39	0.34	1736	3.80	1.29	0.34	1798
23	18	3.92	2.43	0.62	1519	3.60	2.23	0.62	1612	3.32	2.06	0.62	1674
23	20	4.12	2.06	0.50	1581	3.84	1.92	0.50	1659	3.56	1.78	0.50	1752
23	22	4.36	1.66	0.38	1643	4.08	1.55	0.38	1736	3.80	1.44	0.38	1798
24	18	3.92	2.59	0.66	1519	3.60	2.38	0.66	1612	3.32	2.19	0.66	1674
24	20	4.12	2.22	0.54	1581	3.84	2.07	0.54	1659	3.56	1.92	0.54	1752
24	22	4.36	1.83	0.42	1643	4.08	1.71	0.42	1736	3.80	1.60	0.42	1798
24	24	4.60	1.38	0.30	1705	4.32	1.30	0.30	1783	4.08	1.22	0.30	1860
25	20	4.12	2.39	0.58	1581	3.84	2.23	0.58	1659	3.56	2.06	0.58	1752
25	22	4.36	2.01	0.46	1643	4.08	1.88	0.46	1736	3.80	1.75	0.46	1798
25	24	4.60	1.56	0.34	1705	4.32	1.47	0.34	1783	4.08	1.39	0.34	1860
26	18	3.92	2.90	0.74	1519	3.60	2.66	0.74	1612	3.32	2.46	0.74	1674
26	20	4.12	2.55	0.62	1581	3.84	2.38	0.62	1659	3.56	2.21	0.62	1752
26	22	4.36	2.18	0.50	1643	4.08	2.04	0.50	1736	3.80	1.90	0.50	1798
26	24	4.60	1.75	0.38	1705	4.32	1.64	0.38	1783	4.08	1.55	0.38	1860
26	26	4.84	1.26	0.26	1767	4.56	1.19	0.26	1845	4.28	1.11	0.26	1922
27	18	3.92	3.06	0.78	1519	3.60	2.81	0.78	1612	3.32	2.59	0.78	1674
27	20	4.12	2.72	0.66	1581	3.84	2.53	0.66	1659	3.56	2.35	0.66	1752
27	22	4.36	2.35	0.54	1643	4.08	2.20	0.54	1736	3.80	2.05	0.54	1798
27	24	4.60	1.93	0.42	1705	4.32	1.81	0.42	1783	4.08	1.71	0.42	1860
27	26	4.84	1.45	0.30	1767	4.56	1.37	0.30	1845	4.28	1.28	0.30	1922
28	18	3.92	3.21	0.82	1519	3.60	2.95	0.82	1612	3.32	2.72	0.82	1674
28	20	4.12	2.88	0.70	1581	3.84	2.69	0.70	1659	3.56	2.49	0.70	1752
28	22	4.36	2.53	0.58	1643	4.08	2.37	0.58	1736	3.80	2.20	0.58	1798
28	24	4.60	2.12	0.46	1705	4.32	1.99	0.46	1783	4.08	1.88	0.46	1860
28	26	4.84	1.65	0.34	1767	4.56	1.55	0.34	1845	4.28	1.46	0.34	1922
29	18	3.92	3.37	0.86	1519	3.60	3.10	0.86	1612	3.32	2.86	0.86	1674
29	20	4.12	3.05	0.74	1581	3.84	2.84	0.74	1659	3.56	2.63	0.74	1752
29	22	4.36	2.70	0.62	1643	4.08	2.53	0.62	1736	3.80	2.36	0.62	1798
29	24	4.60	2.30	0.50	1705	4.32	2.16	0.50	1783	4.08	2.04	0.50	1860
29	26	4.84	1.84	0.38	1767	4.56	1.73	0.38	1845	4.28	1.63	0.38	1922
30	18	3.92	3.53	0.90	1519	3.60	3.24	0.90	1612	3.32	2.99	0.90	1674
30	20	4.12	3.21	0.78	1581	3.84	3.00	0.78	1659	3.56	2.78	0.78	1752
30	22	4.36	2.88	0.66	1643	4.08	2.69	0.66	1736	3.80	2.51	0.66	1798
30	24	4.60	2.48	0.54	1705	4.32	2.33	0.54	1783	4.08	2.20	0.54	1860
30	26	4.84	2.03	0.42	1767	4.56	1.92	0.42	1845	4.28	1.80	0.42	1922
31	18	3.92	3.68	0.94	1519	3.60	3.38	0.94	1612	3.32	3.12	0.94	1674
31	20	4.12	3.38	0.82	1581	3.84	3.15	0.82	1659	3.56	2.92	0.82	1752
31	22	4.36	3.05	0.70	1643	4.08	2.86	0.70	1736	3.80	2.66	0.70	1798
31	24	4.60	2.67	0.58	1705	4.32	2.51	0.58	1783	4.08	2.37	0.58	1860
31	26	4.84	2.23	0.46	1767	4.56	2.10	0.46	1845	4.28	1.97	0.46	1922
32	18	3.92	3.84	0.98	1519	3.60	3.53	0.98	1612	3.32	3.25	0.98	1674
32	20	4.12	3.54	0.86	1581	3.84	3.30	0.86	1659	3.56	3.06	0.86	1752
32	22	4.36	3.23	0.74	1643	4.08	3.02	0.74	1736	3.80	2.81	0.74	1798
32	24	4.60	2.85	0.62	1705	4.32	2.68	0.62	1783	4.08	2.53	0.62	1860
32	26	4.84	2.42	0.50	1767	4.56	2.28	0.50	1845	4.28	2.14	0.50	1922

**PERFORMANCE DATA**  
**COOLING operation(220V, 50Hz)**  
**SE-1.6AR<sub>1</sub> / SU-1.6VR<sub>2</sub>**

CAPACITY : 4.0 kW INPUT : 1640 W SHF : 0.73

INDOOR		OUTDOOR DB(°C)															
		21				25				27				30			
		DB(°C)	WB(°C)	Q	SHC	SHF	INPUT	Q	SHC	SHF	INPUT	Q	SHC	SHF	INPUT	Q	SHC
21	18	4.70	2.59	0.55	1312	4.50	2.48	0.55	1378	4.32	2.38	0.55	1443	4.16	2.29	0.55	1509
21	20	4.90	2.11	0.43	1378	4.70	2.02	0.43	1460	4.56	1.96	0.43	1492	4.40	1.89	0.43	1558
22	18	4.70	2.77	0.59	1312	4.50	2.66	0.59	1378	4.32	2.55	0.59	1443	4.16	2.45	0.59	1509
22	20	4.90	2.30	0.47	1378	4.70	2.21	0.47	1460	4.56	2.14	0.47	1492	4.40	2.07	0.47	1558
22	22	5.10	1.79	0.35	1427	4.92	1.72	0.35	1517	4.80	1.68	0.35	1558	4.60	1.61	0.35	1624
23	18	4.70	2.96	0.63	1312	4.50	2.84	0.63	1378	4.32	2.72	0.63	1443	4.16	2.62	0.63	1509
23	20	4.90	2.50	0.51	1378	4.70	2.40	0.51	1460	4.56	2.33	0.51	1492	4.40	2.24	0.51	1558
23	22	5.10	1.99	0.39	1427	4.92	1.92	0.39	1517	4.80	1.87	0.39	1558	4.60	1.79	0.39	1624
24	18	4.70	3.15	0.67	1312	4.50	3.02	0.67	1378	4.32	2.89	0.67	1443	4.16	2.79	0.67	1509
24	20	4.90	2.70	0.55	1378	4.70	2.59	0.55	1460	4.56	2.51	0.55	1492	4.40	2.42	0.55	1558
24	22	5.10	2.19	0.43	1427	4.92	2.12	0.43	1517	4.80	2.06	0.43	1558	4.60	1.98	0.43	1624
24	24	5.36	1.66	0.31	1492	5.16	1.60	0.31	1574	5.04	1.56	0.31	1624	4.88	1.51	0.31	1706
25	20	4.90	2.89	0.59	1378	4.70	2.77	0.59	1460	4.56	2.69	0.59	1492	4.40	2.60	0.59	1558
25	22	5.10	2.40	0.47	1427	4.92	2.31	0.47	1517	4.80	2.26	0.47	1558	4.60	2.16	0.47	1624
25	24	5.36	1.88	0.35	1492	5.16	1.81	0.35	1574	5.04	1.76	0.35	1624	4.88	1.71	0.35	1706
26	18	4.70	3.53	0.75	1312	4.50	3.38	0.75	1378	4.32	3.24	0.75	1443	4.16	3.12	0.75	1509
26	20	4.90	3.09	0.63	1378	4.70	2.96	0.63	1460	4.56	2.87	0.63	1492	4.40	2.77	0.63	1558
26	22	5.10	2.60	0.51	1427	4.92	2.51	0.51	1517	4.80	2.45	0.51	1558	4.60	2.35	0.51	1624
26	24	5.36	2.09	0.39	1492	5.16	2.01	0.39	1574	5.04	1.97	0.39	1624	4.88	1.90	0.39	1706
26	26	5.52	1.49	0.27	1574	5.36	1.45	0.27	1656	5.28	1.43	0.27	1706	5.12	1.38	0.27	1755
27	18	4.70	3.71	0.79	1312	4.50	3.56	0.79	1378	4.32	3.41	0.79	1443	4.16	3.29	0.79	1509
27	20	4.90	3.28	0.67	1378	4.70	3.15	0.67	1460	4.56	3.06	0.67	1492	4.40	2.95	0.67	1558
27	22	5.10	2.81	0.55	1427	4.92	2.71	0.55	1517	4.80	2.64	0.55	1558	4.60	2.53	0.55	1624
27	24	5.36	2.30	0.43	1492	5.16	2.22	0.43	1574	5.04	2.17	0.43	1624	4.88	2.10	0.43	1706
27	26	5.52	1.71	0.31	1574	5.36	1.66	0.31	1656	5.28	1.64	0.31	1706	5.12	1.59	0.31	1755
28	18	4.70	3.90	0.83	1312	4.50	3.74	0.83	1378	4.32	3.59	0.83	1443	4.16	3.45	0.83	1509
28	20	4.90	3.48	0.71	1378	4.70	3.34	0.71	1460	4.56	3.24	0.71	1492	4.40	3.12	0.71	1558
28	22	5.10	3.01	0.59	1427	4.92	2.90	0.59	1517	4.80	2.83	0.59	1558	4.60	2.71	0.59	1624
28	24	5.36	2.52	0.47	1492	5.16	2.43	0.47	1574	5.04	2.37	0.47	1624	4.88	2.29	0.47	1706
28	26	5.52	1.93	0.35	1574	5.36	1.88	0.35	1656	5.28	1.85	0.35	1706	5.12	1.79	0.35	1755
29	18	4.70	4.09	0.87	1312	4.50	3.92	0.87	1378	4.32	3.76	0.87	1443	4.16	3.62	0.87	1509
29	20	4.90	3.68	0.75	1378	4.70	3.53	0.75	1460	4.56	3.42	0.75	1492	4.40	3.30	0.75	1558
29	22	5.10	3.21	0.63	1427	4.92	3.10	0.63	1517	4.80	3.02	0.63	1558	4.60	2.90	0.63	1624
29	24	5.36	2.73	0.51	1492	5.16	2.63	0.51	1574	5.04	2.57	0.51	1624	4.88	2.49	0.51	1706
29	26	5.52	2.15	0.39	1574	5.36	2.09	0.39	1656	5.28	2.06	0.39	1706	5.12	2.00	0.39	1755
30	18	4.70	4.28	0.91	1312	4.50	4.10	0.91	1378	4.32	3.93	0.91	1443	4.16	3.79	0.91	1509
30	20	4.90	3.87	0.79	1378	4.70	3.71	0.79	1460	4.56	3.60	0.79	1492	4.40	3.48	0.79	1558
30	22	5.10	3.42	0.67	1427	4.92	3.30	0.67	1517	4.80	3.22	0.67	1558	4.60	3.08	0.67	1624
30	24	5.36	2.95	0.55	1492	5.16	2.84	0.55	1574	5.04	2.77	0.55	1624	4.88	2.68	0.55	1706
30	26	5.52	2.37	0.43	1574	5.36	2.30	0.43	1656	5.28	2.27	0.43	1706	5.12	2.20	0.43	1755
31	18	4.70	4.47	0.95	1312	4.50	4.28	0.95	1378	4.32	4.10	0.95	1443	4.16	3.95	0.95	1509
31	20	4.90	4.07	0.83	1378	4.70	3.90	0.83	1460	4.56	3.78	0.83	1492	4.40	3.65	0.83	1558
31	22	5.10	3.62	0.71	1427	4.92	3.49	0.71	1517	4.80	3.41	0.71	1558	4.60	3.27	0.71	1624
31	24	5.36	3.16	0.59	1492	5.16	3.04	0.59	1574	5.04	2.97	0.59	1624	4.88	2.88	0.59	1706
31	26	5.52	2.59	0.47	1574	5.36	2.52	0.47	1656	5.28	2.48	0.47	1706	5.12	2.41	0.47	1755
32	18	4.70	4.65	0.99	1312	4.50	4.46	0.99	1378	4.32	4.28	0.99	1443	4.16	4.12	0.99	1509
32	20	4.90	4.26	0.87	1378	4.70	4.09	0.87	1460	4.56	3.97	0.87	1492	4.40	3.83	0.87	1558
32	22	5.10	3.83	0.75	1427	4.92	3.69	0.75	1517	4.80	3.60	0.75	1558	4.60	3.45	0.75	1624
32	24	5.36	3.38	0.63	1492	5.16	3.25	0.63	1574	5.04	3.18	0.63	1624	4.88	3.07	0.63	1706
32	26	5.52	2.82	0.51	1574	5.36	2.73	0.51	1656	5.28	2.69	0.51	1706	5.12	2.61	0.51	1755



**PERFORMANCE DATA**

**COOLING operation(220V, 50Hz)**

**SE-1.6AR<sub>1</sub> / SU-1.6VR2**

CAPACITY : 4.0 kW INPUT : 1640 W SHF : 0.73

INDOOR		OUTDOOR DB(°C)													
		INDOOR		35				40				46			
		DB(°C)	WB(°C)	Q	SHC	SHF	INPUT	Q	SHC	SHF	INPUT	Q	SHC	SHF	INPUT
21	18	3.92	2.16	0.55	1607	3.60	1.98	0.55	1706	3.32	1.83	0.55	1771		
21	20	4.12	1.77	0.43	1673	3.84	1.65	0.43	1755	3.56	1.53	0.43	1853		
22	18	3.92	2.31	0.59	1607	3.60	2.12	0.59	1706	3.32	1.96	0.59	1771		
22	20	4.12	1.94	0.47	1673	3.84	1.80	0.47	1755	3.56	1.67	0.47	1853		
22	22	4.36	1.53	0.35	1738	4.08	1.43	0.35	1837	3.80	1.33	0.35	1902		
23	18	3.92	2.47	0.63	1607	3.60	2.27	0.63	1706	3.32	2.09	0.63	1771		
23	20	4.12	2.10	0.51	1673	3.84	1.96	0.51	1755	3.56	1.82	0.51	1853		
23	22	4.36	1.70	0.39	1738	4.08	1.59	0.39	1837	3.80	1.48	0.39	1902		
24	18	3.92	2.63	0.67	1607	3.60	2.41	0.67	1706	3.32	2.22	0.67	1771		
24	20	4.12	2.27	0.55	1673	3.84	2.11	0.55	1755	3.56	1.96	0.55	1853		
24	22	4.36	1.87	0.43	1738	4.08	1.75	0.43	1837	3.80	1.63	0.43	1902		
24	24	4.60	1.43	0.31	1804	4.32	1.34	0.31	1886	4.08	1.26	0.31	1968		
25	20	4.12	2.43	0.59	1673	3.84	2.27	0.59	1755	3.56	2.10	0.59	1853		
25	22	4.36	2.05	0.47	1738	4.08	1.92	0.47	1837	3.80	1.79	0.47	1902		
25	24	4.60	1.61	0.35	1804	4.32	1.51	0.35	1886	4.08	1.43	0.35	1968		
26	18	3.92	2.94	0.75	1607	3.60	2.70	0.75	1706	3.32	2.49	0.75	1771		
26	20	4.12	2.60	0.63	1673	3.84	2.42	0.63	1755	3.56	2.24	0.63	1853		
26	22	4.36	2.22	0.51	1738	4.08	2.08	0.51	1837	3.80	1.94	0.51	1902		
26	24	4.60	1.79	0.39	1804	4.32	1.68	0.39	1886	4.08	1.59	0.39	1968		
26	26	4.84	1.31	0.27	1870	4.56	1.23	0.27	1952	4.28	1.16	0.27	2034		
27	18	3.92	3.10	0.79	1607	3.60	2.84	0.79	1706	3.32	2.62	0.79	1771		
27	20	4.12	2.76	0.67	1673	3.84	2.57	0.67	1755	3.56	2.39	0.67	1853		
27	22	4.36	2.40	0.55	1738	4.08	2.24	0.55	1837	3.80	2.09	0.55	1902		
27	24	4.60	1.98	0.43	1804	4.32	1.86	0.43	1886	4.08	1.75	0.43	1968		
27	26	4.84	1.50	0.31	1870	4.56	1.41	0.31	1952	4.28	1.33	0.31	2034		
28	18	3.92	3.25	0.83	1607	3.60	2.99	0.83	1706	3.32	2.76	0.83	1771		
28	20	4.12	2.93	0.71	1673	3.84	2.73	0.71	1755	3.56	2.53	0.71	1853		
28	22	4.36	2.57	0.59	1738	4.08	2.41	0.59	1837	3.80	2.24	0.59	1902		
28	24	4.60	2.16	0.47	1804	4.32	2.03	0.47	1886	4.08	1.92	0.47	1968		
28	26	4.84	1.69	0.35	1870	4.56	1.60	0.35	1952	4.28	1.50	0.35	2034		
29	18	3.92	3.41	0.87	1607	3.60	3.13	0.87	1706	3.32	2.89	0.87	1771		
29	20	4.12	3.09	0.75	1673	3.84	2.88	0.75	1755	3.56	2.67	0.75	1853		
29	22	4.36	2.75	0.63	1738	4.08	2.57	0.63	1837	3.80	2.39	0.63	1902		
29	24	4.60	2.35	0.51	1804	4.32	2.20	0.51	1886	4.08	2.08	0.51	1968		
29	26	4.84	1.89	0.39	1870	4.56	1.78	0.39	1952	4.28	1.67	0.39	2034		
30	18	3.92	3.57	0.91	1607	3.60	3.28	0.91	1706	3.32	3.02	0.91	1771		
30	20	4.12	3.25	0.79	1673	3.84	3.03	0.79	1755	3.56	2.81	0.79	1853		
30	22	4.36	2.92	0.67	1738	4.08	2.73	0.67	1837	3.80	2.55	0.67	1902		
30	24	4.60	2.53	0.55	1804	4.32	2.38	0.55	1886	4.08	2.24	0.55	1968		
30	26	4.84	2.08	0.43	1870	4.56	1.96	0.43	1952	4.28	1.84	0.43	2034		
31	18	3.92	3.72	0.95	1607	3.60	3.42	0.95	1706	3.32	3.15	0.95	1771		
31	20	4.12	3.42	0.83	1673	3.84	3.19	0.83	1755	3.56	2.95	0.83	1853		
31	22	4.36	3.10	0.71	1738	4.08	2.90	0.71	1837	3.80	2.70	0.71	1902		
31	24	4.60	2.71	0.59	1804	4.32	2.55	0.59	1886	4.08	2.41	0.59	1968		
31	26	4.84	2.27	0.47	1870	4.56	2.14	0.47	1952	4.28	2.01	0.47	2034		
32	18	3.92	3.88	0.99	1607	3.60	3.56	0.99	1706	3.32	3.29	0.99	1771		
32	20	4.12	3.58	0.87	1673	3.84	3.34	0.87	1755	3.56	3.10	0.87	1853		
32	22	4.36	3.27	0.75	1738	4.08	3.06	0.75	1837	3.80	2.85	0.75	1902		
32	24	4.60	2.90	0.63	1804	4.32	2.72	0.63	1886	4.08	2.57	0.63	1968		
32	26	4.84	2.47	0.51	1870	4.56	2.33	0.51	1952	4.28	2.18	0.51	2034		

**PERFORMANCE DATA**  
**COOLING operation(240V, 50Hz)**  
**SE-1.6AR<sub>1</sub> / SU-1.6VR<sub>2</sub>**

CAPACITY : 4.1 kW INPUT : 1740 W SHF : 0.73

INDOOR		OUTDOOR DB(°C)															
		21				25				27				30			
		DB(°C)	WB(°C)	Q	SHC	SHF	INPUT	Q	SHC	SHF	INPUT	Q	SHC	SHF	INPUT	Q	SHC
21	18	4.82	2.65	0.55	1392	4.61	2.54	0.55	1462	4.43	2.44	0.55	1531	4.26	2.35	0.55	1601
21	20	5.02	2.16	0.43	1462	4.82	2.07	0.43	1549	4.67	2.01	0.43	1583	4.51	1.94	0.43	1653
22	18	4.82	2.84	0.59	1392	4.61	2.72	0.59	1462	4.43	2.61	0.59	1531	4.26	2.52	0.59	1601
22	20	5.02	2.36	0.47	1462	4.82	2.26	0.47	1549	4.67	2.20	0.47	1583	4.51	2.12	0.47	1653
22	22	5.23	1.83	0.35	1514	5.04	1.77	0.35	1610	4.92	1.72	0.35	1653	4.72	1.65	0.35	1723
23	18	4.82	3.04	0.63	1392	4.61	2.91	0.63	1462	4.43	2.79	0.63	1531	4.26	2.69	0.63	1601
23	20	5.02	2.56	0.51	1462	4.82	2.46	0.51	1549	4.67	2.38	0.51	1583	4.51	2.30	0.51	1653
23	22	5.23	2.04	0.39	1514	5.04	1.97	0.39	1610	4.92	1.92	0.39	1653	4.72	1.84	0.39	1723
24	18	4.82	3.23	0.67	1392	4.61	3.09	0.67	1462	4.43	2.97	0.67	1531	4.26	2.86	0.67	1601
24	20	5.02	2.76	0.55	1462	4.82	2.65	0.55	1549	4.67	2.57	0.55	1583	4.51	2.48	0.55	1653
24	22	5.23	2.25	0.43	1514	5.04	2.17	0.43	1610	4.92	2.12	0.43	1653	4.72	2.03	0.43	1723
24	24	5.49	1.70	0.31	1583	5.29	1.64	0.31	1670	5.17	1.60	0.31	1723	5.00	1.55	0.31	1810
25	20	5.02	2.96	0.59	1462	4.82	2.84	0.59	1549	4.67	2.76	0.59	1583	4.51	2.66	0.59	1653
25	22	5.23	2.46	0.47	1514	5.04	2.37	0.47	1610	4.92	2.31	0.47	1653	4.72	2.22	0.47	1723
25	24	5.49	1.92	0.35	1583	5.29	1.85	0.35	1670	5.17	1.81	0.35	1723	5.00	1.75	0.35	1810
26	18	4.82	3.61	0.75	1392	4.61	3.46	0.75	1462	4.43	3.32	0.75	1531	4.26	3.20	0.75	1601
26	20	5.02	3.16	0.63	1462	4.82	3.04	0.63	1549	4.67	2.94	0.63	1583	4.51	2.84	0.63	1653
26	22	5.23	2.67	0.51	1514	5.04	2.57	0.51	1610	4.92	2.51	0.51	1653	4.72	2.40	0.51	1723
26	24	5.49	2.14	0.39	1583	5.29	2.06	0.39	1670	5.17	2.01	0.39	1723	5.00	1.95	0.39	1810
26	26	5.66	1.53	0.27	1670	5.49	1.48	0.27	1757	5.41	1.46	0.27	1810	5.25	1.42	0.27	1862
27	18	4.82	3.81	0.79	1392	4.61	3.64	0.79	1462	4.43	3.50	0.79	1531	4.26	3.37	0.79	1601
27	20	5.02	3.37	0.67	1462	4.82	3.23	0.67	1549	4.67	3.13	0.67	1583	4.51	3.02	0.67	1653
27	22	5.23	2.88	0.55	1514	5.04	2.77	0.55	1610	4.92	2.71	0.55	1653	4.72	2.59	0.55	1723
27	24	5.49	2.36	0.43	1583	5.29	2.27	0.43	1670	5.17	2.22	0.43	1723	5.00	2.15	0.43	1810
27	26	5.66	1.75	0.31	1670	5.49	1.70	0.31	1757	5.41	1.68	0.31	1810	5.25	1.63	0.31	1862
28	18	4.82	4.00	0.83	1392	4.61	3.83	0.83	1462	4.43	3.68	0.83	1531	4.26	3.54	0.83	1601
28	20	5.02	3.57	0.71	1462	4.82	3.42	0.71	1549	4.67	3.32	0.71	1583	4.51	3.20	0.71	1653
28	22	5.23	3.08	0.59	1514	5.04	2.98	0.59	1610	4.92	2.90	0.59	1653	4.72	2.78	0.59	1723
28	24	5.49	2.58	0.47	1583	5.29	2.49	0.47	1670	5.17	2.43	0.47	1723	5.00	2.35	0.47	1810
28	26	5.66	1.98	0.35	1670	5.49	1.92	0.35	1757	5.41	1.89	0.35	1810	5.25	1.84	0.35	1862
29	18	4.82	4.19	0.87	1392	4.61	4.01	0.87	1462	4.43	3.85	0.87	1531	4.26	3.71	0.87	1601
29	20	5.02	3.77	0.75	1462	4.82	3.61	0.75	1549	4.67	3.51	0.75	1583	4.51	3.38	0.75	1653
29	22	5.23	3.29	0.63	1514	5.04	3.18	0.63	1610	4.92	3.10	0.63	1653	4.72	2.97	0.63	1723
29	24	5.49	2.80	0.51	1583	5.29	2.70	0.51	1670	5.17	2.63	0.51	1723	5.00	2.55	0.51	1810
29	26	5.66	2.21	0.39	1670	5.49	2.14	0.39	1757	5.41	2.11	0.39	1810	5.25	2.05	0.39	1862
30	18	4.82	4.38	0.91	1392	4.61	4.20	0.91	1462	4.43	4.03	0.91	1531	4.26	3.88	0.91	1601
30	20	5.02	3.97	0.79	1462	4.82	3.81	0.79	1549	4.67	3.69	0.79	1583	4.51	3.56	0.79	1653
30	22	5.23	3.50	0.67	1514	5.04	3.38	0.67	1610	4.92	3.30	0.67	1653	4.72	3.16	0.67	1723
30	24	5.49	3.02	0.55	1583	5.29	2.91	0.55	1670	5.17	2.84	0.55	1723	5.00	2.75	0.55	1810
30	26	5.66	2.43	0.43	1670	5.49	2.36	0.43	1757	5.41	2.33	0.43	1810	5.25	2.26	0.43	1862
31	18	4.82	4.58	0.95	1392	4.61	4.38	0.95	1462	4.43	4.21	0.95	1531	4.26	4.05	0.95	1601
31	20	5.02	4.17	0.83	1462	4.82	4.00	0.83	1549	4.67	3.88	0.83	1583	4.51	3.74	0.83	1653
31	22	5.23	3.71	0.71	1514	5.04	3.58	0.71	1610	4.92	3.49	0.71	1653	4.72	3.35	0.71	1723
31	24	5.49	3.24	0.59	1583	5.29	3.12	0.59	1670	5.17	3.05	0.59	1723	5.00	2.95	0.59	1810
31	26	5.66	2.66	0.47	1670	5.49	2.58	0.47	1757	5.41	2.54	0.47	1810	5.25	2.47	0.47	1862
32	18	4.82	4.77	0.99	1392	4.61	4.57	0.99	1462	4.43	4.38	0.99	1531	4.26	4.22	0.99	1601
32	20	5.02	4.37	0.87	1462	4.82	4.19	0.87	1549	4.67	4.07	0.87	1583	4.51	3.92	0.87	1653
32	22	5.23	3.92	0.75	1514	5.04	3.78	0.75	1610	4.92	3.69	0.75	1653	4.72	3.54	0.75	1723
32	24	5.49	3.46	0.63	1583	5.29	3.33	0.63	1670	5.17	3.25	0.63	1723	5.00	3.15	0.63	1810
32	26	5.66	2.89	0.51	1670	5.49	2.80	0.51	1757	5.41	2.76	0.51	1810	5.25	2.68	0.51	1862

**PERFORMANCE DATA**

**COOLING operation(240V, 50Hz)**

**SE-1.6AR<sub>1</sub> / SU-1.6VR<sub>2</sub>**

CAPACITY : 4.1 kW INPUT : 1740 W SHF : 0.73

INDOOR		OUTDOOR DB(°C)													
		INDOOR		35				40				46			
		DB(°C)	WB(°C)	Q	SHC	SHF	INPUT	Q	SHC	SHF	INPUT	Q	SHC	SHF	INPUT
21	18	4.02	2.21	0.55	1705	3.69	2.03	0.55	1810	3.40	1.87	0.55	1879		
21	20	4.22	1.82	0.43	1775	3.94	1.69	0.43	1862	3.65	1.57	0.43	1966		
22	18	4.02	2.37	0.59	1705	3.69	2.18	0.59	1810	3.40	2.01	0.59	1879		
22	20	4.22	1.98	0.47	1775	3.94	1.85	0.47	1862	3.65	1.72	0.47	1966		
22	22	4.47	1.56	0.35	1844	4.18	1.46	0.35	1949	3.90	1.36	0.35	2018		
23	18	4.02	2.53	0.63	1705	3.69	2.32	0.63	1810	3.40	2.14	0.63	1879		
23	20	4.22	2.15	0.51	1775	3.94	2.01	0.51	1862	3.65	1.86	0.51	1966		
23	22	4.47	1.74	0.39	1844	4.18	1.63	0.39	1949	3.90	1.52	0.39	2018		
24	18	4.02	2.69	0.67	1705	3.69	2.47	0.67	1810	3.40	2.28	0.67	1879		
24	20	4.22	2.32	0.55	1775	3.94	2.16	0.55	1862	3.65	2.01	0.55	1966		
24	22	4.47	1.92	0.43	1844	4.18	1.80	0.43	1949	3.90	1.67	0.43	2018		
24	24	4.72	1.46	0.31	1914	4.43	1.37	0.31	2001	4.18	1.30	0.31	2088		
25	20	4.22	2.49	0.59	1775	3.94	2.32	0.59	1862	3.65	2.15	0.59	1966		
25	22	4.47	2.10	0.47	1844	4.18	1.97	0.47	1949	3.90	1.83	0.47	2018		
25	24	4.72	1.65	0.35	1914	4.43	1.55	0.35	2001	4.18	1.46	0.35	2088		
26	18	4.02	3.01	0.75	1705	3.69	2.77	0.75	1810	3.40	2.55	0.75	1879		
26	20	4.22	2.66	0.63	1775	3.94	2.48	0.63	1862	3.65	2.30	0.63	1966		
26	22	4.47	2.28	0.51	1844	4.18	2.13	0.51	1949	3.90	1.99	0.51	2018		
26	24	4.72	1.84	0.39	1914	4.43	1.73	0.39	2001	4.18	1.63	0.39	2088		
26	26	4.96	1.34	0.27	1984	4.67	1.26	0.27	2071	4.39	1.18	0.27	2158		
27	18	4.02	3.17	0.79	1705	3.69	2.92	0.79	1810	3.40	2.69	0.79	1879		
27	20	4.22	2.83	0.67	1775	3.94	2.64	0.67	1862	3.65	2.44	0.67	1966		
27	22	4.47	2.46	0.55	1844	4.18	2.30	0.55	1949	3.90	2.14	0.55	2018		
27	24	4.72	2.03	0.43	1914	4.43	1.90	0.43	2001	4.18	1.80	0.43	2088		
27	26	4.96	1.54	0.31	1984	4.67	1.45	0.31	2071	4.39	1.36	0.31	2158		
28	18	4.02	3.33	0.83	1705	3.69	3.06	0.83	1810	3.40	2.82	0.83	1879		
28	20	4.22	3.00	0.71	1775	3.94	2.79	0.71	1862	3.65	2.59	0.71	1966		
28	22	4.47	2.64	0.59	1844	4.18	2.47	0.59	1949	3.90	2.30	0.59	2018		
28	24	4.72	2.22	0.47	1914	4.43	2.08	0.47	2001	4.18	1.97	0.47	2088		
28	26	4.96	1.74	0.35	1984	4.67	1.64	0.35	2071	4.39	1.54	0.35	2158		
29	18	4.02	3.50	0.87	1705	3.69	3.21	0.87	1810	3.40	2.96	0.87	1879		
29	20	4.22	3.17	0.75	1775	3.94	2.95	0.75	1862	3.65	2.74	0.75	1966		
29	22	4.47	2.82	0.63	1844	4.18	2.63	0.63	1949	3.90	2.45	0.63	2018		
29	24	4.72	2.40	0.51	1914	4.43	2.26	0.51	2001	4.18	2.13	0.51	2088		
29	26	4.96	1.93	0.39	1984	4.67	1.82	0.39	2071	4.39	1.71	0.39	2158		
30	18	4.02	3.66	0.91	1705	3.69	3.36	0.91	1810	3.40	3.10	0.91	1879		
30	20	4.22	3.34	0.79	1775	3.94	3.11	0.79	1862	3.65	2.88	0.79	1966		
30	22	4.47	2.99	0.67	1844	4.18	2.80	0.67	1949	3.90	2.61	0.67	2018		
30	24	4.72	2.59	0.55	1914	4.43	2.44	0.55	2001	4.18	2.30	0.55	2088		
30	26	4.96	2.13	0.43	1984	4.67	2.01	0.43	2071	4.39	1.89	0.43	2158		
31	18	4.02	3.82	0.95	1705	3.69	3.51	0.95	1810	3.40	3.23	0.95	1879		
31	20	4.22	3.51	0.83	1775	3.94	3.27	0.83	1862	3.65	3.03	0.83	1966		
31	22	4.47	3.17	0.71	1844	4.18	2.97	0.71	1949	3.90	2.77	0.71	2018		
31	24	4.72	2.78	0.59	1914	4.43	2.61	0.59	2001	4.18	2.47	0.59	2088		
31	26	4.96	2.33	0.47	1984	4.67	2.20	0.47	2071	4.39	2.06	0.47	2158		
32	18	4.02	3.98	0.99	1705	3.69	3.65	0.99	1810	3.40	3.37	0.99	1879		
32	20	4.22	3.67	0.87	1775	3.94	3.42	0.87	1862	3.65	3.17	0.87	1966		
32	22	4.47	3.35	0.75	1844	4.18	3.14	0.75	1949	3.90	2.92	0.75	2018		
32	24	4.72	2.97	0.63	1914	4.43	2.79	0.63	2001	4.18	2.63	0.63	2088		
32	26	4.96	2.53	0.51	1984	4.67	2.38	0.51	2071	4.39	2.24	0.51	2158		

**PERFORMANCE DATA**  
**COOLING operation(220V, 50Hz)**  
**SE-2AR / SU-2VR**

CAPACITY : 5.6 kW INPUT : 2250 W SHF : 0.68

		OUTDOOR DB(°C)															
INDOOR DB(°C)	INDOOR WB(°C)	21				25				27				30			
		Q	SHC	SHF	INPUT	Q	SHC	SHF	INPUT	Q	SHC	SHF	INPUT	Q	SHC	SHF	INPUT
21	18	6.58	3.29	0.50	1800	6.30	3.15	0.50	1890	6.05	3.02	0.50	1980	5.82	2.91	0.50	2070
21	20	6.86	2.61	0.38	1890	6.58	2.50	0.38	2003	6.38	2.43	0.38	2048	6.16	2.34	0.38	2138
22	18	6.58	3.55	0.54	1800	6.30	3.40	0.54	1890	6.05	3.27	0.54	1980	5.82	3.14	0.54	2070
22	20	6.86	2.88	0.42	1890	6.58	2.76	0.42	2003	6.38	2.68	0.42	2048	6.16	2.59	0.42	2138
22	22	7.14	2.14	0.30	1958	6.89	2.07	0.30	2081	6.72	2.02	0.30	2138	6.44	1.93	0.30	2228
23	18	6.58	3.82	0.58	1800	6.30	3.65	0.58	1890	6.05	3.51	0.58	1980	5.82	3.38	0.58	2070
23	20	6.86	3.16	0.46	1890	6.58	3.03	0.46	2003	6.38	2.94	0.46	2048	6.16	2.83	0.46	2138
23	22	7.14	2.43	0.34	1958	6.89	2.34	0.34	2081	6.72	2.28	0.34	2138	6.44	2.19	0.34	2228
24	18	6.58	4.08	0.62	1800	6.30	3.91	0.62	1890	6.05	3.75	0.62	1980	5.82	3.61	0.62	2070
24	20	6.86	3.43	0.50	1890	6.58	3.29	0.50	2003	6.38	3.19	0.50	2048	6.16	3.08	0.50	2138
24	22	7.14	2.71	0.38	1958	6.89	2.62	0.38	2081	6.72	2.55	0.38	2138	6.44	2.45	0.38	2228
24	24	7.50	1.95	0.26	2048	7.22	1.88	0.26	2160	7.06	1.83	0.26	2228	6.83	1.78	0.26	2340
25	20	6.86	3.70	0.54	1890	6.58	3.55	0.54	2003	6.38	3.45	0.54	2048	6.16	3.33	0.54	2138
25	22	7.14	3.00	0.42	1958	6.89	2.89	0.42	2081	6.72	2.82	0.42	2138	6.44	2.70	0.42	2228
25	24	7.50	2.25	0.30	2048	7.22	2.17	0.30	2160	7.06	2.12	0.30	2228	6.83	2.05	0.30	2340
26	18	6.58	4.61	0.70	1800	6.30	4.41	0.70	1890	6.05	4.23	0.70	1980	5.82	4.08	0.70	2070
26	20	6.86	3.98	0.58	1890	6.58	3.82	0.58	2003	6.38	3.70	0.58	2048	6.16	3.57	0.58	2138
26	22	7.14	3.28	0.46	1958	6.89	3.17	0.46	2081	6.72	3.09	0.46	2138	6.44	2.96	0.46	2228
26	24	7.50	2.55	0.34	2048	7.22	2.46	0.34	2160	7.06	2.40	0.34	2228	6.83	2.32	0.34	2340
26	26	7.73	1.70	0.22	2160	7.50	1.65	0.22	2273	7.39	1.63	0.22	2340	7.17	1.58	0.22	2408
27	18	6.58	4.87	0.74	1800	6.30	4.66	0.74	1890	6.05	4.48	0.74	1980	5.82	4.31	0.74	2070
27	20	6.86	4.25	0.62	1890	6.58	4.08	0.62	2003	6.38	3.96	0.62	2048	6.16	3.82	0.62	2138
27	22	7.14	3.57	0.50	1958	6.89	3.44	0.50	2081	6.72	3.36	0.50	2138	6.44	3.22	0.50	2228
27	24	7.50	2.85	0.38	2048	7.22	2.75	0.38	2160	7.06	2.68	0.38	2228	6.83	2.60	0.38	2340
27	26	7.73	2.01	0.26	2160	7.50	1.95	0.26	2273	7.39	1.92	0.26	2340	7.17	1.86	0.26	2408
28	18	6.58	5.13	0.78	1800	6.30	4.91	0.78	1890	6.05	4.72	0.78	1980	5.82	4.54	0.78	2070
28	20	6.86	4.53	0.66	1890	6.58	4.34	0.66	2003	6.38	4.21	0.66	2048	6.16	4.07	0.66	2138
28	22	7.14	3.86	0.54	1958	6.89	3.72	0.54	2081	6.72	3.63	0.54	2138	6.44	3.48	0.54	2228
28	24	7.50	3.15	0.42	2048	7.22	3.03	0.42	2160	7.06	2.96	0.42	2228	6.83	2.87	0.42	2340
28	26	7.73	2.32	0.30	2160	7.50	2.25	0.30	2273	7.39	2.22	0.30	2340	7.17	2.15	0.30	2408
29	18	6.58	5.40	0.82	1800	6.30	5.17	0.82	1890	6.05	4.96	0.82	1980	5.82	4.78	0.82	2070
29	20	6.86	4.80	0.70	1890	6.58	4.61	0.70	2003	6.38	4.47	0.70	2048	6.16	4.31	0.70	2138
29	22	7.14	4.14	0.58	1958	6.89	4.00	0.58	2081	6.72	3.90	0.58	2138	6.44	3.74	0.58	2228
29	24	7.50	3.45	0.46	2048	7.22	3.32	0.46	2160	7.06	3.25	0.46	2228	6.83	3.14	0.46	2340
29	26	7.73	2.63	0.34	2160	7.50	2.55	0.34	2273	7.39	2.51	0.34	2340	7.17	2.44	0.34	2408
30	18	6.58	5.66	0.86	1800	6.30	5.42	0.86	1890	6.05	5.20	0.86	1980	5.82	5.01	0.86	2070
30	20	6.86	5.08	0.74	1890	6.58	4.87	0.74	2003	6.38	4.72	0.74	2048	6.16	4.56	0.74	2138
30	22	7.14	4.43	0.62	1958	6.89	4.27	0.62	2081	6.72	4.17	0.62	2138	6.44	3.99	0.62	2228
30	24	7.50	3.75	0.50	2048	7.22	3.61	0.50	2160	7.06	3.53	0.50	2228	6.83	3.42	0.50	2340
30	26	7.73	2.94	0.38	2160	7.50	2.85	0.38	2273	7.39	2.81	0.38	2340	7.17	2.72	0.38	2408
31	18	6.58	5.92	0.90	1800	6.30	5.67	0.90	1890	6.05	5.44	0.90	1980	5.82	5.24	0.90	2070
31	20	6.86	5.35	0.78	1890	6.58	5.13	0.78	2003	6.38	4.98	0.78	2048	6.16	4.80	0.78	2138
31	22	7.14	4.71	0.66	1958	6.89	4.55	0.66	2081	6.72	4.44	0.66	2138	6.44	4.25	0.66	2228
31	24	7.50	4.05	0.54	2048	7.22	3.90	0.54	2160	7.06	3.81	0.54	2228	6.83	3.69	0.54	2340
31	26	7.73	3.25	0.42	2160	7.50	3.15	0.42	2273	7.39	3.10	0.42	2340	7.17	3.01	0.42	2408
32	18	6.58	6.19	0.94	1800	6.30	5.92	0.94	1890	6.05	5.69	0.94	1980	5.82	5.47	0.94	2070
32	20	6.86	5.63	0.82	1890	6.58	5.40	0.82	2003	6.38	5.23	0.82	2048	6.16	5.05	0.82	2138
32	22	7.14	5.00	0.70	1958	6.89	4.82	0.70	2081	6.72	4.70	0.70	2138	6.44	4.51	0.70	2228
32	24	7.50	4.35	0.58	2048	7.22	4.19	0.58	2160	7.06	4.09	0.58	2228	6.83	3.96	0.58	2340
32	26	7.73	3.55	0.46	2160	7.50	3.45	0.46	2273	7.39	3.40	0.46	2340	7.17	3.30	0.46	2408

**PERFORMANCE DATA**  
**COOLING operation(220V, 50Hz)**  
**SE-2AR / SU-2VR**

CAPACITY : 5.6 kW INPUT : 2250 W SHF : 0.68

INDOOR		OUTDOOR DB(°C)													
		DB(°C)	WB(°C)	35				40				46			
				Q	SHC	SHF	INPUT	Q	SHC	SHF	INPUT	Q	SHC	SHF	INPUT
21	18	5.49	2.74	0.50	2205	5.04	2.52	0.50	2340	4.65	2.32	0.50	2430		
21	20	5.77	2.19	0.38	2295	5.38	2.04	0.38	2408	4.98	1.89	0.38	2543		
22	18	5.49	2.96	0.54	2205	5.04	2.72	0.54	2340	4.65	2.51	0.54	2430		
22	20	5.77	2.42	0.42	2295	5.38	2.26	0.42	2408	4.98	2.09	0.42	2543		
22	22	6.10	1.83	0.30	2385	5.71	1.71	0.30	2520	5.32	1.60	0.30	2610		
23	18	5.49	3.18	0.58	2205	5.04	2.92	0.58	2340	4.65	2.70	0.58	2430		
23	20	5.77	2.65	0.46	2295	5.38	2.47	0.46	2408	4.98	2.29	0.46	2543		
23	22	6.10	2.08	0.34	2385	5.71	1.94	0.34	2520	5.32	1.81	0.34	2610		
24	18	5.49	3.40	0.62	2205	5.04	3.12	0.62	2340	4.65	2.88	0.62	2430		
24	20	5.77	2.88	0.50	2295	5.38	2.69	0.50	2408	4.98	2.49	0.50	2543		
24	22	6.10	2.32	0.38	2385	5.71	2.17	0.38	2520	5.32	2.02	0.38	2610		
24	24	6.44	1.67	0.26	2475	6.05	1.57	0.26	2588	5.71	1.49	0.26	2700		
25	20	5.77	3.11	0.54	2295	5.38	2.90	0.54	2408	4.98	2.69	0.54	2543		
25	22	6.10	2.56	0.42	2385	5.71	2.40	0.42	2520	5.32	2.23	0.42	2610		
25	24	6.44	1.93	0.30	2475	6.05	1.81	0.30	2588	5.71	1.71	0.30	2700		
26	18	5.49	3.84	0.70	2205	5.04	3.53	0.70	2340	4.65	3.25	0.70	2430		
26	20	5.77	3.35	0.58	2295	5.38	3.12	0.58	2408	4.98	2.89	0.58	2543		
26	22	6.10	2.81	0.46	2385	5.71	2.63	0.46	2520	5.32	2.45	0.46	2610		
26	24	6.44	2.19	0.34	2475	6.05	2.06	0.34	2588	5.71	1.94	0.34	2700		
26	26	6.78	1.49	0.22	2565	6.38	1.40	0.22	2678	5.99	1.32	0.22	2790		
27	18	5.49	4.06	0.74	2205	5.04	3.73	0.74	2340	4.65	3.44	0.74	2430		
27	20	5.77	3.58	0.62	2295	5.38	3.33	0.62	2408	4.98	3.09	0.62	2543		
27	22	6.10	3.05	0.50	2385	5.71	2.86	0.50	2520	5.32	2.66	0.50	2610		
27	24	6.44	2.45	0.38	2475	6.05	2.30	0.38	2588	5.71	2.17	0.38	2700		
27	26	6.78	1.76	0.26	2565	6.38	1.66	0.26	2678	5.99	1.56	0.26	2790		
28	18	5.49	4.28	0.78	2205	5.04	3.93	0.78	2340	4.65	3.63	0.78	2430		
28	20	5.77	3.81	0.66	2295	5.38	3.55	0.66	2408	4.98	3.29	0.66	2543		
28	22	6.10	3.30	0.54	2385	5.71	3.08	0.54	2520	5.32	2.87	0.54	2610		
28	24	6.44	2.70	0.42	2475	6.05	2.54	0.42	2588	5.71	2.40	0.42	2700		
28	26	6.78	2.03	0.30	2565	6.38	1.92	0.30	2678	5.99	1.80	0.30	2790		
29	18	5.49	4.50	0.82	2205	5.04	4.13	0.82	2340	4.65	3.81	0.82	2430		
29	20	5.77	4.04	0.70	2295	5.38	3.76	0.70	2408	4.98	3.49	0.70	2543		
29	22	6.10	3.54	0.58	2385	5.71	3.31	0.58	2520	5.32	3.09	0.58	2610		
29	24	6.44	2.96	0.46	2475	6.05	2.78	0.46	2588	5.71	2.63	0.46	2700		
29	26	6.78	2.30	0.34	2565	6.38	2.17	0.34	2678	5.99	2.04	0.34	2790		
30	18	5.49	4.72	0.86	2205	5.04	4.33	0.86	2340	4.65	4.00	0.86	2430		
30	20	5.77	4.27	0.74	2295	5.38	3.98	0.74	2408	4.98	3.69	0.74	2543		
30	22	6.10	3.78	0.62	2385	5.71	3.54	0.62	2520	5.32	3.30	0.62	2610		
30	24	6.44	3.22	0.50	2475	6.05	3.02	0.50	2588	5.71	2.86	0.50	2700		
30	26	6.78	2.57	0.38	2565	6.38	2.43	0.38	2678	5.99	2.28	0.38	2790		
31	18	5.49	4.94	0.90	2205	5.04	4.54	0.90	2340	4.65	4.18	0.90	2430		
31	20	5.77	4.50	0.78	2295	5.38	4.19	0.78	2408	4.98	3.89	0.78	2543		
31	22	6.10	4.03	0.66	2385	5.71	3.77	0.66	2520	5.32	3.51	0.66	2610		
31	24	6.44	3.48	0.54	2475	6.05	3.27	0.54	2588	5.71	3.08	0.54	2700		
31	26	6.78	2.85	0.42	2565	6.38	2.68	0.42	2678	5.99	2.52	0.42	2790		
32	18	5.49	5.16	0.94	2205	5.04	4.74	0.94	2340	4.65	4.37	0.94	2430		
32	20	5.77	4.73	0.82	2295	5.38	4.41	0.82	2408	4.98	4.09	0.82	2543		
32	22	6.10	4.27	0.70	2385	5.71	4.00	0.70	2520	5.32	3.72	0.70	2610		
32	24	6.44	3.74	0.58	2475	6.05	3.51	0.58	2588	5.71	3.31	0.58	2700		
32	26	6.78	3.12	0.46	2565	6.38	2.94	0.46	2678	5.99	2.76	0.46	2790		

**PERFORMANCE DATA**  
**COOLING operation(240V, 50Hz)**  
**SE-2AR / SU-2VR**

CAPACITY : 5.6 kW INPUT : 2350 W SHF : 0.68

		OUTDOOR DB(°C)															
INDOOR DB(°C)	INDOOR WB(°C)	21				25				27				30			
		Q	SHC	SHF	INPUT	Q	SHC	SHF	INPUT	Q	SHC	SHF	INPUT	Q	SHC	SHF	INPUT
21	18	6.58	3.29	0.50	1880	6.30	3.15	0.50	1974	6.05	3.02	0.50	2068	5.82	2.91	0.50	2162
21	20	6.86	2.61	0.38	1974	6.58	2.50	0.38	2092	6.38	2.43	0.38	2139	6.16	2.34	0.38	2233
22	18	6.58	3.55	0.54	1880	6.30	3.40	0.54	1974	6.05	3.27	0.54	2068	5.82	3.14	0.54	2162
22	20	6.86	2.88	0.42	1974	6.58	2.76	0.42	2092	6.38	2.68	0.42	2139	6.16	2.59	0.42	2233
22	22	7.14	2.14	0.30	2045	6.89	2.07	0.30	2174	6.72	2.02	0.30	2233	6.44	1.93	0.30	2327
23	18	6.58	3.82	0.58	1880	6.30	3.65	0.58	1974	6.05	3.51	0.58	2068	5.82	3.38	0.58	2162
23	20	6.86	3.16	0.46	1974	6.58	3.03	0.46	2092	6.38	2.94	0.46	2139	6.16	2.83	0.46	2233
23	22	7.14	2.43	0.34	2045	6.89	2.34	0.34	2174	6.72	2.28	0.34	2233	6.44	2.19	0.34	2327
24	18	6.58	4.08	0.62	1880	6.30	3.91	0.62	1974	6.05	3.75	0.62	2068	5.82	3.61	0.62	2162
24	20	6.86	3.43	0.50	1974	6.58	3.29	0.50	2092	6.38	3.19	0.50	2139	6.16	3.08	0.50	2233
24	22	7.14	2.71	0.38	2045	6.89	2.62	0.38	2174	6.72	2.55	0.38	2233	6.44	2.45	0.38	2327
24	24	7.50	1.95	0.26	2139	7.22	1.88	0.26	2256	7.06	1.83	0.26	2327	6.83	1.78	0.26	2444
25	20	6.86	3.70	0.54	1974	6.58	3.55	0.54	2092	6.38	3.45	0.54	2139	6.16	3.33	0.54	2233
25	22	7.14	3.00	0.42	2045	6.89	2.89	0.42	2174	6.72	2.82	0.42	2233	6.44	2.70	0.42	2327
25	24	7.50	2.25	0.30	2139	7.22	2.17	0.30	2256	7.06	2.12	0.30	2327	6.83	2.05	0.30	2444
26	18	6.58	4.61	0.70	1880	6.30	4.41	0.70	1974	6.05	4.23	0.70	2068	5.82	4.08	0.70	2162
26	20	6.86	3.98	0.58	1974	6.58	3.82	0.58	2092	6.38	3.70	0.58	2139	6.16	3.57	0.58	2233
26	22	7.14	3.28	0.46	2045	6.89	3.17	0.46	2174	6.72	3.09	0.46	2233	6.44	2.96	0.46	2327
26	24	7.50	2.55	0.34	2139	7.22	2.46	0.34	2256	7.06	2.40	0.34	2327	6.83	2.32	0.34	2444
26	26	7.73	1.70	0.22	2256	7.50	1.65	0.22	2374	7.39	1.63	0.22	2444	7.17	1.58	0.22	2515
27	18	6.58	4.87	0.74	1880	6.30	4.66	0.74	1974	6.05	4.48	0.74	2068	5.82	4.31	0.74	2162
27	20	6.86	4.25	0.62	1974	6.58	4.08	0.62	2092	6.38	3.96	0.62	2139	6.16	3.82	0.62	2233
27	22	7.14	3.57	0.50	2045	6.89	3.44	0.50	2174	6.72	3.36	0.50	2233	6.44	3.22	0.50	2327
27	24	7.50	2.85	0.38	2139	7.22	2.75	0.38	2256	7.06	2.68	0.38	2327	6.83	2.60	0.38	2444
27	26	7.73	2.01	0.26	2256	7.50	1.95	0.26	2374	7.39	1.92	0.26	2444	7.17	1.86	0.26	2515
28	18	6.58	5.13	0.78	1880	6.30	4.91	0.78	1974	6.05	4.72	0.78	2068	5.82	4.54	0.78	2162
28	20	6.86	4.53	0.66	1974	6.58	4.34	0.66	2092	6.38	4.21	0.66	2139	6.16	4.07	0.66	2233
28	22	7.14	3.86	0.54	2045	6.89	3.72	0.54	2174	6.72	3.63	0.54	2233	6.44	3.48	0.54	2327
28	24	7.50	3.15	0.42	2139	7.22	3.03	0.42	2256	7.06	2.96	0.42	2327	6.83	2.87	0.42	2444
28	26	7.73	2.32	0.30	2256	7.50	2.25	0.30	2374	7.39	2.22	0.30	2444	7.17	2.15	0.30	2515
29	18	6.58	5.40	0.82	1880	6.30	5.17	0.82	1974	6.05	4.96	0.82	2068	5.82	4.78	0.82	2162
29	20	6.86	4.80	0.70	1974	6.58	4.61	0.70	2092	6.38	4.47	0.70	2139	6.16	4.31	0.70	2233
29	22	7.14	4.14	0.58	2045	6.89	4.00	0.58	2174	6.72	3.90	0.58	2233	6.44	3.74	0.58	2327
29	24	7.50	3.45	0.46	2139	7.22	3.32	0.46	2256	7.06	3.25	0.46	2327	6.83	3.14	0.46	2444
29	26	7.73	2.63	0.34	2256	7.50	2.55	0.34	2374	7.39	2.51	0.34	2444	7.17	2.44	0.34	2515
30	18	6.58	5.66	0.86	1880	6.30	5.42	0.86	1974	6.05	5.20	0.86	2068	5.82	5.01	0.86	2162
30	20	6.86	5.08	0.74	1974	6.58	4.87	0.74	2092	6.38	4.72	0.74	2139	6.16	4.56	0.74	2233
30	22	7.14	4.43	0.62	2045	6.89	4.27	0.62	2174	6.72	4.17	0.62	2233	6.44	3.99	0.62	2327
30	24	7.50	3.75	0.50	2139	7.22	3.61	0.50	2256	7.06	3.53	0.50	2327	6.83	3.42	0.50	2444
30	26	7.73	2.94	0.38	2256	7.50	2.85	0.38	2374	7.39	2.81	0.38	2444	7.17	2.72	0.38	2515
31	18	6.58	5.92	0.90	1880	6.30	5.67	0.90	1974	6.05	5.44	0.90	2068	5.82	5.24	0.90	2162
31	20	6.86	5.35	0.78	1974	6.58	5.13	0.78	2092	6.38	4.98	0.78	2139	6.16	4.80	0.78	2233
31	22	7.14	4.71	0.66	2045	6.89	4.55	0.66	2174	6.72	4.44	0.66	2233	6.44	4.25	0.66	2327
31	24	7.50	4.05	0.54	2139	7.22	3.90	0.54	2256	7.06	3.81	0.54	2327	6.83	3.69	0.54	2444
31	26	7.73	3.25	0.42	2256	7.50	3.15	0.42	2374	7.39	3.10	0.42	2444	7.17	3.01	0.42	2515
32	18	6.58	6.19	0.94	1880	6.30	5.92	0.94	1974	6.05	5.69	0.94	2068	5.82	5.47	0.94	2162
32	20	6.86	5.63	0.82	1974	6.58	5.40	0.82	2092	6.38	5.23	0.82	2139	6.16	5.05	0.82	2233
32	22	7.14	5.00	0.70	2045	6.89	4.82	0.70	2174	6.72	4.70	0.70	2233	6.44	4.51	0.70	2327
32	24	7.50	4.35	0.58	2139	7.22	4.19	0.58	2256	7.06	4.09	0.58	2327	6.83	3.96	0.58	2444
32	26	7.73	3.55	0.46	2256	7.50	3.45	0.46	2374	7.39	3.40	0.46	2444	7.17	3.30	0.46	2515

**PERFORMANCE DATA**

**COOLING operation(240V, 50Hz)**

**SE-2AR / SU-2VR**

CAPACITY : 5.6 kW INPUT : 2350 W SHF : 0.68

		OUTDOOR DB(°C)											
INDOOR DB(°C)	INDOOR WB(°C)	35				40				46			
		Q	SHC	SHF	INPUT	Q	SHC	SHF	INPUT	Q	SHC	SHF	INPUT
21	18	5.49	2.74	0.50	2303	5.04	2.52	0.50	2444	4.65	2.32	0.50	2538
21	20	5.77	2.19	0.38	2397	5.38	2.04	0.38	2515	4.98	1.89	0.38	2656
22	18	5.49	2.96	0.54	2303	5.04	2.72	0.54	2444	4.65	2.51	0.54	2538
22	20	5.77	2.42	0.42	2397	5.38	2.26	0.42	2515	4.98	2.09	0.42	2656
22	22	6.10	1.83	0.30	2491	5.71	1.71	0.30	2632	5.32	1.60	0.30	2726
23	18	5.49	3.18	0.58	2303	5.04	2.92	0.58	2444	4.65	2.70	0.58	2538
23	20	5.77	2.65	0.46	2397	5.38	2.47	0.46	2515	4.98	2.29	0.46	2656
23	22	6.10	2.08	0.34	2491	5.71	1.94	0.34	2632	5.32	1.81	0.34	2726
24	18	5.49	3.40	0.62	2303	5.04	3.12	0.62	2444	4.65	2.88	0.62	2538
24	20	5.77	2.88	0.50	2397	5.38	2.69	0.50	2515	4.98	2.49	0.50	2656
24	22	6.10	2.32	0.38	2491	5.71	2.17	0.38	2632	5.32	2.02	0.38	2726
24	24	6.44	1.67	0.26	2585	6.05	1.57	0.26	2703	5.71	1.49	0.26	2820
25	20	5.77	3.11	0.54	2397	5.38	2.90	0.54	2515	4.98	2.69	0.54	2656
25	22	6.10	2.56	0.42	2491	5.71	2.40	0.42	2632	5.32	2.23	0.42	2726
25	24	6.44	1.93	0.30	2585	6.05	1.81	0.30	2703	5.71	1.71	0.30	2820
26	18	5.49	3.84	0.70	2303	5.04	3.53	0.70	2444	4.65	3.25	0.70	2538
26	20	5.77	3.35	0.58	2397	5.38	3.12	0.58	2515	4.98	2.89	0.58	2656
26	22	6.10	2.81	0.46	2491	5.71	2.63	0.46	2632	5.32	2.45	0.46	2726
26	24	6.44	2.19	0.34	2585	6.05	2.06	0.34	2703	5.71	1.94	0.34	2820
26	26	6.78	1.49	0.22	2679	6.38	1.40	0.22	2797	5.99	1.32	0.22	2914
27	18	5.49	4.06	0.74	2303	5.04	3.73	0.74	2444	4.65	3.44	0.74	2538
27	20	5.77	3.58	0.62	2397	5.38	3.33	0.62	2515	4.98	3.09	0.62	2656
27	22	6.10	3.05	0.50	2491	5.71	2.86	0.50	2632	5.32	2.66	0.50	2726
27	24	6.44	2.45	0.38	2585	6.05	2.30	0.38	2703	5.71	2.17	0.38	2820
27	26	6.78	1.76	0.26	2679	6.38	1.66	0.26	2797	5.99	1.56	0.26	2914
28	18	5.49	4.28	0.78	2303	5.04	3.93	0.78	2444	4.65	3.63	0.78	2538
28	20	5.77	3.81	0.66	2397	5.38	3.55	0.66	2515	4.98	3.29	0.66	2656
28	22	6.10	3.30	0.54	2491	5.71	3.08	0.54	2632	5.32	2.87	0.54	2726
28	24	6.44	2.70	0.42	2585	6.05	2.54	0.42	2703	5.71	2.40	0.42	2820
28	26	6.78	2.03	0.30	2679	6.38	1.92	0.30	2797	5.99	1.80	0.30	2914
29	18	5.49	4.50	0.82	2303	5.04	4.13	0.82	2444	4.65	3.81	0.82	2538
29	20	5.77	4.04	0.70	2397	5.38	3.76	0.70	2515	4.98	3.49	0.70	2656
29	22	6.10	3.54	0.58	2491	5.71	3.31	0.58	2632	5.32	3.09	0.58	2726
29	24	6.44	2.96	0.46	2585	6.05	2.78	0.46	2703	5.71	2.63	0.46	2820
29	26	6.78	2.30	0.34	2679	6.38	2.17	0.34	2797	5.99	2.04	0.34	2914
30	18	5.49	4.72	0.86	2303	5.04	4.33	0.86	2444	4.65	4.00	0.86	2538
30	20	5.77	4.27	0.74	2397	5.38	3.98	0.74	2515	4.98	3.69	0.74	2656
30	22	6.10	3.78	0.62	2491	5.71	3.54	0.62	2632	5.32	3.30	0.62	2726
30	24	6.44	3.22	0.50	2585	6.05	3.02	0.50	2703	5.71	2.86	0.50	2820
30	26	6.78	2.57	0.38	2679	6.38	2.43	0.38	2797	5.99	2.28	0.38	2914
31	18	5.49	4.94	0.90	2303	5.04	4.54	0.90	2444	4.65	4.18	0.90	2538
31	20	5.77	4.50	0.78	2397	5.38	4.19	0.78	2515	4.98	3.89	0.78	2656
31	22	6.10	4.03	0.66	2491	5.71	3.77	0.66	2632	5.32	3.51	0.66	2726
31	24	6.44	3.48	0.54	2585	6.05	3.27	0.54	2703	5.71	3.08	0.54	2820
31	26	6.78	2.85	0.42	2679	6.38	2.68	0.42	2797	5.99	2.52	0.42	2914
32	18	5.49	5.16	0.94	2303	5.04	4.74	0.94	2444	4.65	4.37	0.94	2538
32	20	5.77	4.73	0.82	2397	5.38	4.41	0.82	2515	4.98	4.09	0.82	2656
32	22	6.10	4.27	0.70	2491	5.71	4.00	0.70	2632	5.32	3.72	0.70	2726
32	24	6.44	3.74	0.58	2585	6.05	3.51	0.58	2703	5.71	3.31	0.58	2820
32	26	6.78	3.12	0.46	2679	6.38	2.94	0.46	2797	5.99	2.76	0.46	2914

**PERFORMANCE DATA**  
**COOLING operation(220V, 50Hz)**  
**SE-2.5AR / SU-2.5VR**

CAPACITY : 6.6 kW INPUT : 3030 W SHF : 0.66

		OUTDOOR DB(°C)															
INDOOR DB(°C)	INDOOR WB(°C)	21				25				27				30			
		Q	SHC	SHF	INPUT	Q	SHC	SHF	INPUT	Q	SHC	SHF	INPUT	Q	SHC	SHF	INPUT
21	18	7.76	3.72	0.48	2424	7.43	3.56	0.48	2545	7.13	3.42	0.48	2666	6.86	3.29	0.48	2788
21	20	8.09	2.91	0.36	2545	7.76	2.79	0.36	2697	7.52	2.71	0.36	2757	7.26	2.61	0.36	2879
22	18	7.76	4.03	0.52	2424	7.43	3.86	0.52	2545	7.13	3.71	0.52	2666	6.86	3.57	0.52	2788
22	20	8.09	3.23	0.40	2545	7.76	3.10	0.40	2697	7.52	3.01	0.40	2757	7.26	2.90	0.40	2879
22	22	8.42	2.36	0.28	2636	8.12	2.27	0.28	2803	7.92	2.22	0.28	2879	7.59	2.13	0.28	3000
23	18	7.76	4.34	0.56	2424	7.43	4.16	0.56	2545	7.13	3.99	0.56	2666	6.86	3.84	0.56	2788
23	20	8.09	3.56	0.44	2545	7.76	3.41	0.44	2697	7.52	3.31	0.44	2757	7.26	3.19	0.44	2879
23	22	8.42	2.69	0.32	2636	8.12	2.60	0.32	2803	7.92	2.53	0.32	2879	7.59	2.43	0.32	3000
24	18	7.76	4.65	0.60	2424	7.43	4.46	0.60	2545	7.13	4.28	0.60	2666	6.86	4.12	0.60	2788
24	20	8.09	3.88	0.48	2545	7.76	3.72	0.48	2697	7.52	3.61	0.48	2757	7.26	3.48	0.48	2879
24	22	8.42	3.03	0.36	2636	8.12	2.92	0.36	2803	7.92	2.85	0.36	2879	7.59	2.73	0.36	3000
24	24	8.84	2.12	0.24	2757	8.51	2.04	0.24	2909	8.32	2.00	0.24	3000	8.05	1.93	0.24	3151
25	20	8.09	4.20	0.52	2545	7.76	4.03	0.52	2697	7.52	3.91	0.52	2757	7.26	3.78	0.52	2879
25	22	8.42	3.37	0.40	2636	8.12	3.25	0.40	2803	7.92	3.17	0.40	2879	7.59	3.04	0.40	3000
25	24	8.84	2.48	0.28	2757	8.51	2.38	0.28	2909	8.32	2.33	0.28	3000	8.05	2.25	0.28	3151
26	18	7.76	5.27	0.68	2424	7.43	5.05	0.68	2545	7.13	4.85	0.68	2666	6.86	4.67	0.68	2788
26	20	8.09	4.53	0.56	2545	7.76	4.34	0.56	2697	7.52	4.21	0.56	2757	7.26	4.07	0.56	2879
26	22	8.42	3.70	0.44	2636	8.12	3.57	0.44	2803	7.92	3.48	0.44	2879	7.59	3.34	0.44	3000
26	24	8.84	2.83	0.32	2757	8.51	2.72	0.32	2909	8.32	2.66	0.32	3000	8.05	2.58	0.32	3151
26	26	9.11	1.82	0.20	2909	8.84	1.77	0.20	3060	8.71	1.74	0.20	3151	8.45	1.69	0.20	3242
27	18	7.76	5.58	0.72	2424	7.43	5.35	0.72	2545	7.13	5.13	0.72	2666	6.86	4.94	0.72	2788
27	20	8.09	4.85	0.60	2545	7.76	4.65	0.60	2697	7.52	4.51	0.60	2757	7.26	4.36	0.60	2879
27	22	8.42	4.04	0.48	2636	8.12	3.90	0.48	2803	7.92	3.80	0.48	2879	7.59	3.64	0.48	3000
27	24	8.84	3.18	0.36	2757	8.51	3.07	0.36	2909	8.32	2.99	0.36	3000	8.05	2.90	0.36	3151
27	26	9.11	2.19	0.24	2909	8.84	2.12	0.24	3060	8.71	2.09	0.24	3151	8.45	2.03	0.24	3242
28	18	7.76	5.89	0.76	2424	7.43	5.64	0.76	2545	7.13	5.42	0.76	2666	6.86	5.22	0.76	2788
28	20	8.09	5.17	0.64	2545	7.76	4.96	0.64	2697	7.52	4.82	0.64	2757	7.26	4.65	0.64	2879
28	22	8.42	4.38	0.52	2636	8.12	4.22	0.52	2803	7.92	4.12	0.52	2879	7.59	3.95	0.52	3000
28	24	8.84	3.54	0.40	2757	8.51	3.41	0.40	2909	8.32	3.33	0.40	3000	8.05	3.22	0.40	3151
28	26	9.11	2.55	0.28	2909	8.84	2.48	0.28	3060	8.71	2.44	0.28	3151	8.45	2.37	0.28	3242
29	18	7.76	6.20	0.80	2424	7.43	5.94	0.80	2545	7.13	5.70	0.80	2666	6.86	5.49	0.80	2788
29	20	8.09	5.50	0.68	2545	7.76	5.27	0.68	2697	7.52	5.12	0.68	2757	7.26	4.94	0.68	2879
29	22	8.42	4.71	0.56	2636	8.12	4.55	0.56	2803	7.92	4.44	0.56	2879	7.59	4.25	0.56	3000
29	24	8.84	3.89	0.44	2757	8.51	3.75	0.44	2909	8.32	3.66	0.44	3000	8.05	3.54	0.44	3151
29	26	9.11	2.91	0.32	2909	8.84	2.83	0.32	3060	8.71	2.79	0.32	3151	8.45	2.70	0.32	3242
30	18	7.76	6.51	0.84	2424	7.43	6.24	0.84	2545	7.13	5.99	0.84	2666	6.86	5.77	0.84	2788
30	20	8.09	5.82	0.72	2545	7.76	5.58	0.72	2697	7.52	5.42	0.72	2757	7.26	5.23	0.72	2879
30	22	8.42	5.05	0.60	2636	8.12	4.87	0.60	2803	7.92	4.75	0.60	2879	7.59	4.55	0.60	3000
30	24	8.84	4.25	0.48	2757	8.51	4.09	0.48	2909	8.32	3.99	0.48	3000	8.05	3.86	0.48	3151
30	26	9.11	3.28	0.36	2909	8.84	3.18	0.36	3060	8.71	3.14	0.36	3151	8.45	3.04	0.36	3242
31	18	7.76	6.82	0.88	2424	7.43	6.53	0.88	2545	7.13	6.27	0.88	2666	6.86	6.04	0.88	2788
31	20	8.09	6.14	0.76	2545	7.76	5.89	0.76	2697	7.52	5.72	0.76	2757	7.26	5.52	0.76	2879
31	22	8.42	5.39	0.64	2636	8.12	5.20	0.64	2803	7.92	5.07	0.64	2879	7.59	4.86	0.64	3000
31	24	8.84	4.60	0.52	2757	8.51	4.43	0.52	2909	8.32	4.32	0.52	3000	8.05	4.19	0.52	3151
31	26	9.11	3.64	0.40	2909	8.84	3.54	0.40	3060	8.71	3.48	0.40	3151	8.45	3.38	0.40	3242
32	18	7.76	7.13	0.92	2424	7.43	6.83	0.92	2545	7.13	6.56	0.92	2666	6.86	6.31	0.92	2788
32	20	8.09	6.47	0.80	2545	7.76	6.20	0.80	2697	7.52	6.02	0.80	2757	7.26	5.81	0.80	2879
32	22	8.42	5.72	0.68	2636	8.12	5.52	0.68	2803	7.92	5.39	0.68	2879	7.59	5.16	0.68	3000
32	24	8.84	4.95	0.56	2757	8.51	4.77	0.56	2909	8.32	4.66	0.56	3000	8.05	4.51	0.56	3151
32	26	9.11	4.01	0.44	2909	8.84	3.89	0.44	3060	8.71	3.83	0.44	3151	8.45	3.72	0.44	3242



**PERFORMANCE DATA**

**COOLING operation(220V, 50Hz)**

**SE-2.5AR / SU-2.5VR**

CAPACITY : 6.6 kW INPUT : 3030 W SHF : 0.66

		OUTDOOR DB(°C)											
INDOOR DB(°C)	INDOOR WB(°C)	35				40				46			
		Q	SHC	SHF	INPUT	Q	SHC	SHF	INPUT	Q	SHC	SHF	INPUT
21	18	6.47	3.10	0.48	2969	5.94	2.85	0.48	3151	5.48	2.63	0.48	3272
21	20	6.80	2.45	0.36	3091	6.34	2.28	0.36	3242	5.87	2.11	0.36	3424
22	18	6.47	3.36	0.52	2969	5.94	3.09	0.52	3151	5.48	2.85	0.52	3272
22	20	6.80	2.72	0.40	3091	6.34	2.53	0.40	3242	5.87	2.35	0.40	3424
22	22	7.19	2.01	0.28	3212	6.73	1.88	0.28	3394	6.27	1.76	0.28	3515
23	18	6.47	3.62	0.56	2969	5.94	3.33	0.56	3151	5.48	3.07	0.56	3272
23	20	6.80	2.99	0.44	3091	6.34	2.79	0.44	3242	5.87	2.58	0.44	3424
23	22	7.19	2.30	0.32	3212	6.73	2.15	0.32	3394	6.27	2.01	0.32	3515
24	18	6.47	3.88	0.60	2969	5.94	3.56	0.60	3151	5.48	3.29	0.60	3272
24	20	6.80	3.26	0.48	3091	6.34	3.04	0.48	3242	5.87	2.82	0.48	3424
24	22	7.19	2.59	0.36	3212	6.73	2.42	0.36	3394	6.27	2.26	0.36	3515
24	24	7.59	1.82	0.24	3333	7.13	1.71	0.24	3485	6.73	1.62	0.24	3636
25	20	6.80	3.53	0.52	3091	6.34	3.29	0.52	3242	5.87	3.05	0.52	3424
25	22	7.19	2.88	0.40	3212	6.73	2.69	0.40	3394	6.27	2.51	0.40	3515
25	24	7.59	2.13	0.28	3333	7.13	2.00	0.28	3485	6.73	1.88	0.28	3636
26	18	6.47	4.40	0.68	2969	5.94	4.04	0.68	3151	5.48	3.73	0.68	3272
26	20	6.80	3.81	0.56	3091	6.34	3.55	0.56	3242	5.87	3.29	0.56	3424
26	22	7.19	3.17	0.44	3212	6.73	2.96	0.44	3394	6.27	2.76	0.44	3515
26	24	7.59	2.43	0.32	3333	7.13	2.28	0.32	3485	6.73	2.15	0.32	3636
26	26	7.99	1.60	0.20	3454	7.52	1.50	0.20	3606	7.06	1.41	0.20	3757
27	18	6.47	4.66	0.72	2969	5.94	4.28	0.72	3151	5.48	3.94	0.72	3272
27	20	6.80	4.08	0.60	3091	6.34	3.80	0.60	3242	5.87	3.52	0.60	3424
27	22	7.19	3.45	0.48	3212	6.73	3.23	0.48	3394	6.27	3.01	0.48	3515
27	24	7.59	2.73	0.36	3333	7.13	2.57	0.36	3485	6.73	2.42	0.36	3636
27	26	7.99	1.92	0.24	3454	7.52	1.81	0.24	3606	7.06	1.69	0.24	3757
28	18	6.47	4.92	0.76	2969	5.94	4.51	0.76	3151	5.48	4.16	0.76	3272
28	20	6.80	4.35	0.64	3091	6.34	4.06	0.64	3242	5.87	3.76	0.64	3424
28	22	7.19	3.74	0.52	3212	6.73	3.50	0.52	3394	6.27	3.26	0.52	3515
28	24	7.59	3.04	0.40	3333	7.13	2.85	0.40	3485	6.73	2.69	0.40	3636
28	26	7.99	2.24	0.28	3454	7.52	2.11	0.28	3606	7.06	1.98	0.28	3757
29	18	6.47	5.17	0.80	2969	5.94	4.75	0.80	3151	5.48	4.38	0.80	3272
29	20	6.80	4.62	0.68	3091	6.34	4.31	0.68	3242	5.87	3.99	0.68	3424
29	22	7.19	4.03	0.56	3212	6.73	3.77	0.56	3394	6.27	3.51	0.56	3515
29	24	7.59	3.34	0.44	3333	7.13	3.14	0.44	3485	6.73	2.96	0.44	3636
29	26	7.99	2.56	0.32	3454	7.52	2.41	0.32	3606	7.06	2.26	0.32	3757
30	18	6.47	5.43	0.84	2969	5.94	4.99	0.84	3151	5.48	4.60	0.84	3272
30	20	6.80	4.89	0.72	3091	6.34	4.56	0.72	3242	5.87	4.23	0.72	3424
30	22	7.19	4.32	0.60	3212	6.73	4.04	0.60	3394	6.27	3.76	0.60	3515
30	24	7.59	3.64	0.48	3333	7.13	3.42	0.48	3485	6.73	3.23	0.48	3636
30	26	7.99	2.87	0.36	3454	7.52	2.71	0.36	3606	7.06	2.54	0.36	3757
31	18	6.47	5.69	0.88	2969	5.94	5.23	0.88	3151	5.48	4.82	0.88	3272
31	20	6.80	5.17	0.76	3091	6.34	4.82	0.76	3242	5.87	4.46	0.76	3424
31	22	7.19	4.60	0.64	3212	6.73	4.31	0.64	3394	6.27	4.01	0.64	3515
31	24	7.59	3.95	0.52	3333	7.13	3.71	0.52	3485	6.73	3.50	0.52	3636
31	26	7.99	3.19	0.40	3454	7.52	3.01	0.40	3606	7.06	2.82	0.40	3757
32	18	6.47	5.95	0.92	2969	5.94	5.46	0.92	3151	5.48	5.04	0.92	3272
32	20	6.80	5.44	0.80	3091	6.34	5.07	0.80	3242	5.87	4.70	0.80	3424
32	22	7.19	4.89	0.68	3212	6.73	4.58	0.68	3394	6.27	4.26	0.68	3515
32	24	7.59	4.25	0.56	3333	7.13	3.99	0.56	3485	6.73	3.77	0.56	3636
32	26	7.99	3.51	0.44	3454	7.52	3.31	0.44	3606	7.06	3.11	0.44	3757

**PERFORMANCE DATA**  
**COOLING operation(240V, 50Hz)**  
**SE-2.5AR / SU-2.5VR**

CAPACITY : 6.6 kW INPUT : 3050 W SHF : 0.66

		OUTDOOR DB(°C)															
INDOOR DB(°C)	INDOOR WB(°C)	21				25				27				30			
		Q	SHC	SHF	INPUT	Q	SHC	SHF	INPUT	Q	SHC	SHF	INPUT	Q	SHC	SHF	INPUT
21	18	7.76	3.72	0.48	2440	7.43	3.56	0.48	2562	7.13	3.42	0.48	2684	6.86	3.29	0.48	2806
21	20	8.09	2.91	0.36	2562	7.76	2.79	0.36	2715	7.52	2.71	0.36	2776	7.26	2.61	0.36	2898
22	18	7.76	4.03	0.52	2440	7.43	3.86	0.52	2562	7.13	3.71	0.52	2684	6.86	3.57	0.52	2806
22	20	8.09	3.23	0.40	2562	7.76	3.10	0.40	2715	7.52	3.01	0.40	2776	7.26	2.90	0.40	2898
22	22	8.42	2.36	0.28	2654	8.12	2.27	0.28	2821	7.92	2.22	0.28	2898	7.59	2.13	0.28	3020
23	18	7.76	4.34	0.56	2440	7.43	4.16	0.56	2562	7.13	3.99	0.56	2684	6.86	3.84	0.56	2806
23	20	8.09	3.56	0.44	2562	7.76	3.41	0.44	2715	7.52	3.31	0.44	2776	7.26	3.19	0.44	2898
23	22	8.42	2.69	0.32	2654	8.12	2.60	0.32	2821	7.92	2.53	0.32	2898	7.59	2.43	0.32	3020
24	18	7.76	4.65	0.60	2440	7.43	4.46	0.60	2562	7.13	4.28	0.60	2684	6.86	4.12	0.60	2806
24	20	8.09	3.88	0.48	2562	7.76	3.72	0.48	2715	7.52	3.61	0.48	2776	7.26	3.48	0.48	2898
24	22	8.42	3.03	0.36	2654	8.12	2.92	0.36	2821	7.92	2.85	0.36	2898	7.59	2.73	0.36	3020
24	24	8.84	2.12	0.24	2776	8.51	2.04	0.24	2928	8.32	2.00	0.24	3020	8.05	1.93	0.24	3172
25	20	8.09	4.20	0.52	2562	7.76	4.03	0.52	2715	7.52	3.91	0.52	2776	7.26	3.78	0.52	2898
25	22	8.42	3.37	0.40	2654	8.12	3.25	0.40	2821	7.92	3.17	0.40	2898	7.59	3.04	0.40	3020
25	24	8.84	2.48	0.28	2776	8.51	2.38	0.28	2928	8.32	2.33	0.28	3020	8.05	2.25	0.28	3172
26	18	7.76	5.27	0.68	2440	7.43	5.05	0.68	2562	7.13	4.85	0.68	2684	6.86	4.67	0.68	2806
26	20	8.09	4.53	0.56	2562	7.76	4.34	0.56	2715	7.52	4.21	0.56	2776	7.26	4.07	0.56	2898
26	22	8.42	3.70	0.44	2654	8.12	3.57	0.44	2821	7.92	3.48	0.44	2898	7.59	3.34	0.44	3020
26	24	8.84	2.83	0.32	2776	8.51	2.72	0.32	2928	8.32	2.66	0.32	3020	8.05	2.58	0.32	3172
26	26	9.11	1.82	0.20	2928	8.84	1.77	0.20	3081	8.71	1.74	0.20	3172	8.45	1.69	0.20	3264
27	18	7.76	5.58	0.72	2440	7.43	5.35	0.72	2562	7.13	5.13	0.72	2684	6.86	4.94	0.72	2806
27	20	8.09	4.85	0.60	2562	7.76	4.65	0.60	2715	7.52	4.51	0.60	2776	7.26	4.36	0.60	2898
27	22	8.42	4.04	0.48	2654	8.12	3.90	0.48	2821	7.92	3.80	0.48	2898	7.59	3.64	0.48	3020
27	24	8.84	3.18	0.36	2776	8.51	3.07	0.36	2928	8.32	2.99	0.36	3020	8.05	2.90	0.36	3172
27	26	9.11	2.19	0.24	2928	8.84	2.12	0.24	3081	8.71	2.09	0.24	3172	8.45	2.03	0.24	3264
28	18	7.76	5.89	0.76	2440	7.43	5.64	0.76	2562	7.13	5.42	0.76	2684	6.86	5.22	0.76	2806
28	20	8.09	5.17	0.64	2562	7.76	4.96	0.64	2715	7.52	4.82	0.64	2776	7.26	4.65	0.64	2898
28	22	8.42	4.38	0.52	2654	8.12	4.22	0.52	2821	7.92	4.12	0.52	2898	7.59	3.95	0.52	3020
28	24	8.84	3.54	0.40	2776	8.51	3.41	0.40	2928	8.32	3.33	0.40	3020	8.05	3.22	0.40	3172
28	26	9.11	2.55	0.28	2928	8.84	2.48	0.28	3081	8.71	2.44	0.28	3172	8.45	2.37	0.28	3264
29	18	7.76	6.20	0.80	2440	7.43	5.94	0.80	2562	7.13	5.70	0.80	2684	6.86	5.49	0.80	2806
29	20	8.09	5.50	0.68	2562	7.76	5.27	0.68	2715	7.52	5.12	0.68	2776	7.26	4.94	0.68	2898
29	22	8.42	4.71	0.56	2654	8.12	4.55	0.56	2821	7.92	4.44	0.56	2898	7.59	4.25	0.56	3020
29	24	8.84	3.89	0.44	2776	8.51	3.75	0.44	2928	8.32	3.66	0.44	3020	8.05	3.54	0.44	3172
29	26	9.11	2.91	0.32	2928	8.84	2.83	0.32	3081	8.71	2.79	0.32	3172	8.45	2.70	0.32	3264
30	18	7.76	6.51	0.84	2440	7.43	6.24	0.84	2562	7.13	5.99	0.84	2684	6.86	5.77	0.84	2806
30	20	8.09	5.82	0.72	2562	7.76	5.58	0.72	2715	7.52	5.42	0.72	2776	7.26	5.23	0.72	2898
30	22	8.42	5.05	0.60	2654	8.12	4.87	0.60	2821	7.92	4.75	0.60	2898	7.59	4.55	0.60	3020
30	24	8.84	4.25	0.48	2776	8.51	4.09	0.48	2928	8.32	3.99	0.48	3020	8.05	3.86	0.48	3172
30	26	9.11	3.28	0.36	2928	8.84	3.18	0.36	3081	8.71	3.14	0.36	3172	8.45	3.04	0.36	3264
31	18	7.76	6.82	0.88	2440	7.43	6.53	0.88	2562	7.13	6.27	0.88	2684	6.86	6.04	0.88	2806
31	20	8.09	6.14	0.76	2562	7.76	5.89	0.76	2715	7.52	5.72	0.76	2776	7.26	5.52	0.76	2898
31	22	8.42	5.39	0.64	2654	8.12	5.20	0.64	2821	7.92	5.07	0.64	2898	7.59	4.86	0.64	3020
31	24	8.84	4.60	0.52	2776	8.51	4.43	0.52	2928	8.32	4.32	0.52	3020	8.05	4.19	0.52	3172
31	26	9.11	3.64	0.40	2928	8.84	3.54	0.40	3081	8.71	3.48	0.40	3172	8.45	3.38	0.40	3264
32	18	7.76	7.13	0.92	2440	7.43	6.83	0.92	2562	7.13	6.56	0.92	2684	6.86	6.31	0.92	2806
32	20	8.09	6.47	0.80	2562	7.76	6.20	0.80	2715	7.52	6.02	0.80	2776	7.26	5.81	0.80	2898
32	22	8.42	5.72	0.68	2654	8.12	5.52	0.68	2821	7.92	5.39	0.68	2898	7.59	5.16	0.68	3020
32	24	8.84	4.95	0.56	2776	8.51	4.77	0.56	2928	8.32	4.66	0.56	3020	8.05	4.51	0.56	3172
32	26	9.11	4.01	0.44	2928	8.84	3.89	0.44	3081	8.71	3.83	0.44	3172	8.45	3.72	0.44	3264

**PERFORMANCE DATA**

**COOLING operation(240V, 50Hz)**

**SE-2.5AR / SU-2.5VR**

CAPACITY : 6.6 kW INPUT : 3050 W SHF : 0.66

		OUTDOOR DB(°C)											
INDOOR DB(°C)	INDOOR WB(°C)	35				40				46			
		Q	SHC	SHF	INPUT	Q	SHC	SHF	INPUT	Q	SHC	SHF	INPUT
21	18	6.47	3.10	0.48	2989	5.94	2.85	0.48	3172	5.48	2.63	0.48	3294
21	20	6.80	2.45	0.36	3111	6.34	2.28	0.36	3264	5.87	2.11	0.36	3447
22	18	6.47	3.36	0.52	2989	5.94	3.09	0.52	3172	5.48	2.85	0.52	3294
22	20	6.80	2.72	0.40	3111	6.34	2.53	0.40	3264	5.87	2.35	0.40	3447
22	22	7.19	2.01	0.28	3233	6.73	1.88	0.28	3416	6.27	1.76	0.28	3538
23	18	6.47	3.62	0.56	2989	5.94	3.33	0.56	3172	5.48	3.07	0.56	3294
23	20	6.80	2.99	0.44	3111	6.34	2.79	0.44	3264	5.87	2.58	0.44	3447
23	22	7.19	2.30	0.32	3233	6.73	2.15	0.32	3416	6.27	2.01	0.32	3538
24	18	6.47	3.88	0.60	2989	5.94	3.56	0.60	3172	5.48	3.29	0.60	3294
24	20	6.80	3.26	0.48	3111	6.34	3.04	0.48	3264	5.87	2.82	0.48	3447
24	22	7.19	2.59	0.36	3233	6.73	2.42	0.36	3416	6.27	2.26	0.36	3538
24	24	7.59	1.82	0.24	3355	7.13	1.71	0.24	3508	6.73	1.62	0.24	3660
25	20	6.80	3.53	0.52	3111	6.34	3.29	0.52	3264	5.87	3.05	0.52	3447
25	22	7.19	2.88	0.40	3233	6.73	2.69	0.40	3416	6.27	2.51	0.40	3538
25	24	7.59	2.13	0.28	3355	7.13	2.00	0.28	3508	6.73	1.88	0.28	3660
26	18	6.47	4.40	0.68	2989	5.94	4.04	0.68	3172	5.48	3.73	0.68	3294
26	20	6.80	3.81	0.56	3111	6.34	3.55	0.56	3264	5.87	3.29	0.56	3447
26	22	7.19	3.17	0.44	3233	6.73	2.96	0.44	3416	6.27	2.76	0.44	3538
26	24	7.59	2.43	0.32	3355	7.13	2.28	0.32	3508	6.73	2.15	0.32	3660
26	26	7.99	1.60	0.20	3477	7.52	1.50	0.20	3630	7.06	1.41	0.20	3782
27	18	6.47	4.66	0.72	2989	5.94	4.28	0.72	3172	5.48	3.94	0.72	3294
27	20	6.80	4.08	0.60	3111	6.34	3.80	0.60	3264	5.87	3.52	0.60	3447
27	22	7.19	3.45	0.48	3233	6.73	3.23	0.48	3416	6.27	3.01	0.48	3538
27	24	7.59	2.73	0.36	3355	7.13	2.57	0.36	3508	6.73	2.42	0.36	3660
27	26	7.99	1.92	0.24	3477	7.52	1.81	0.24	3630	7.06	1.69	0.24	3782
28	18	6.47	4.92	0.76	2989	5.94	4.51	0.76	3172	5.48	4.16	0.76	3294
28	20	6.80	4.35	0.64	3111	6.34	4.06	0.64	3264	5.87	3.76	0.64	3447
28	22	7.19	3.74	0.52	3233	6.73	3.50	0.52	3416	6.27	3.26	0.52	3538
28	24	7.59	3.04	0.40	3355	7.13	2.85	0.40	3508	6.73	2.69	0.40	3660
28	26	7.99	2.24	0.28	3477	7.52	2.11	0.28	3630	7.06	1.98	0.28	3782
29	18	6.47	5.17	0.80	2989	5.94	4.75	0.80	3172	5.48	4.38	0.80	3294
29	20	6.80	4.62	0.68	3111	6.34	4.31	0.68	3264	5.87	3.99	0.68	3447
29	22	7.19	4.03	0.56	3233	6.73	3.77	0.56	3416	6.27	3.51	0.56	3538
29	24	7.59	3.34	0.44	3355	7.13	3.14	0.44	3508	6.73	2.96	0.44	3660
29	26	7.99	2.56	0.32	3477	7.52	2.41	0.32	3630	7.06	2.26	0.32	3782
30	18	6.47	5.43	0.84	2989	5.94	4.99	0.84	3172	5.48	4.60	0.84	3294
30	20	6.80	4.89	0.72	3111	6.34	4.56	0.72	3264	5.87	4.23	0.72	3447
30	22	7.19	4.32	0.60	3233	6.73	4.04	0.60	3416	6.27	3.76	0.60	3538
30	24	7.59	3.64	0.48	3355	7.13	3.42	0.48	3508	6.73	3.23	0.48	3660
30	26	7.99	2.87	0.36	3477	7.52	2.71	0.36	3630	7.06	2.54	0.36	3782
31	18	6.47	5.69	0.88	2989	5.94	5.23	0.88	3172	5.48	4.82	0.88	3294
31	20	6.80	5.17	0.76	3111	6.34	4.82	0.76	3264	5.87	4.46	0.76	3447
31	22	7.19	4.60	0.64	3233	6.73	4.31	0.64	3416	6.27	4.01	0.64	3538
31	24	7.59	3.95	0.52	3355	7.13	3.71	0.52	3508	6.73	3.50	0.52	3660
31	26	7.99	3.19	0.40	3477	7.52	3.01	0.40	3630	7.06	2.82	0.40	3782
32	18	6.47	5.95	0.92	2989	5.94	5.46	0.92	3172	5.48	5.04	0.92	3294
32	20	6.80	5.44	0.80	3111	6.34	5.07	0.80	3264	5.87	4.70	0.80	3447
32	22	7.19	4.89	0.68	3233	6.73	4.58	0.68	3416	6.27	4.26	0.68	3538
32	24	7.59	4.25	0.56	3355	7.13	3.99	0.56	3508	6.73	3.77	0.56	3660
32	26	7.99	3.51	0.44	3477	7.52	3.31	0.44	3630	7.06	3.11	0.44	3782

**PERFORMANCE DATA**  
**COOLING operation(220V, 60Hz)**  
**SE-1.6AR<sub>1</sub> / SU-1.6NR**

CAPACITY : 3.8 kW INPUT : 1500 W SHF : 0.73

		OUTDOOR DB(°C)															
INDOOR DB(°C)	INDOOR WB(°C)	21				25				27				30			
		Q	SHC	SHF	INPUT	Q	SHC	SHF	INPUT	Q	SHC	SHF	INPUT	Q	SHC	SHF	INPUT
21	18	4.47	2.46	0.55	1200	4.28	2.35	0.55	1260	4.10	2.26	0.55	1320	3.95	2.17	0.55	1380
21	20	4.66	2.00	0.43	1260	4.47	1.92	0.43	1335	4.33	1.86	0.43	1365	4.18	1.80	0.43	1425
22	18	4.47	2.63	0.59	1200	4.28	2.52	0.59	1260	4.10	2.42	0.59	1320	3.95	2.33	0.59	1380
22	20	4.66	2.19	0.47	1260	4.47	2.10	0.47	1335	4.33	2.04	0.47	1365	4.18	1.96	0.47	1425
22	22	4.85	1.70	0.35	1305	4.67	1.64	0.35	1388	4.56	1.60	0.35	1425	4.37	1.53	0.35	1485
23	18	4.47	2.81	0.63	1200	4.28	2.69	0.63	1260	4.10	2.59	0.63	1320	3.95	2.49	0.63	1380
23	20	4.66	2.37	0.51	1260	4.47	2.28	0.51	1335	4.33	2.21	0.51	1365	4.18	2.13	0.51	1425
23	22	4.85	1.89	0.39	1305	4.67	1.82	0.39	1388	4.56	1.78	0.39	1425	4.37	1.70	0.39	1485
24	18	4.47	2.99	0.67	1200	4.28	2.86	0.67	1260	4.10	2.75	0.67	1320	3.95	2.65	0.67	1380
24	20	4.66	2.56	0.55	1260	4.47	2.46	0.55	1335	4.33	2.38	0.55	1365	4.18	2.30	0.55	1425
24	22	4.85	2.08	0.43	1305	4.67	2.01	0.43	1388	4.56	1.96	0.43	1425	4.37	1.88	0.43	1485
24	24	5.09	1.58	0.31	1365	4.90	1.52	0.31	1440	4.79	1.48	0.31	1485	4.64	1.44	0.31	1560
25	20	4.66	2.75	0.59	1260	4.47	2.63	0.59	1335	4.33	2.56	0.59	1365	4.18	2.47	0.59	1425
25	22	4.85	2.28	0.47	1305	4.67	2.20	0.47	1388	4.56	2.14	0.47	1425	4.37	2.05	0.47	1485
25	24	5.09	1.78	0.35	1365	4.90	1.72	0.35	1440	4.79	1.68	0.35	1485	4.64	1.62	0.35	1560
26	18	4.47	3.35	0.75	1200	4.28	3.21	0.75	1260	4.10	3.08	0.75	1320	3.95	2.96	0.75	1380
26	20	4.66	2.93	0.63	1260	4.47	2.81	0.63	1335	4.33	2.73	0.63	1365	4.18	2.63	0.63	1425
26	22	4.85	2.47	0.51	1305	4.67	2.38	0.51	1388	4.56	2.33	0.51	1425	4.37	2.23	0.51	1485
26	24	5.09	1.99	0.39	1365	4.90	1.91	0.39	1440	4.79	1.87	0.39	1485	4.64	1.81	0.39	1560
26	26	5.24	1.42	0.27	1440	5.09	1.37	0.27	1515	5.02	1.35	0.27	1560	4.86	1.31	0.27	1605
27	18	4.47	3.53	0.79	1200	4.28	3.38	0.79	1260	4.10	3.24	0.79	1320	3.95	3.12	0.79	1380
27	20	4.66	3.12	0.67	1260	4.47	2.99	0.67	1335	4.33	2.90	0.67	1365	4.18	2.80	0.67	1425
27	22	4.85	2.66	0.55	1305	4.67	2.57	0.55	1388	4.56	2.51	0.55	1425	4.37	2.40	0.55	1485
27	24	5.09	2.19	0.43	1365	4.90	2.11	0.43	1440	4.79	2.06	0.43	1485	4.64	1.99	0.43	1560
27	26	5.24	1.63	0.31	1440	5.09	1.58	0.31	1515	5.02	1.55	0.31	1560	4.86	1.51	0.31	1605
28	18	4.47	3.71	0.83	1200	4.28	3.55	0.83	1260	4.10	3.41	0.83	1320	3.95	3.28	0.83	1380
28	20	4.66	3.31	0.71	1260	4.47	3.17	0.71	1335	4.33	3.08	0.71	1365	4.18	2.97	0.71	1425
28	22	4.85	2.86	0.59	1305	4.67	2.76	0.59	1388	4.56	2.69	0.59	1425	4.37	2.58	0.59	1485
28	24	5.09	2.39	0.47	1365	4.90	2.30	0.47	1440	4.79	2.25	0.47	1485	4.64	2.18	0.47	1560
28	26	5.24	1.84	0.35	1440	5.09	1.78	0.35	1515	5.02	1.76	0.35	1560	4.86	1.70	0.35	1605
29	18	4.47	3.88	0.87	1200	4.28	3.72	0.87	1260	4.10	3.57	0.87	1320	3.95	3.44	0.87	1380
29	20	4.66	3.49	0.75	1260	4.47	3.35	0.75	1335	4.33	3.25	0.75	1365	4.18	3.14	0.75	1425
29	22	4.85	3.05	0.63	1305	4.67	2.94	0.63	1388	4.56	2.87	0.63	1425	4.37	2.75	0.63	1485
29	24	5.09	2.60	0.51	1365	4.90	2.50	0.51	1440	4.79	2.44	0.51	1485	4.64	2.36	0.51	1560
29	26	5.24	2.05	0.39	1440	5.09	1.99	0.39	1515	5.02	1.96	0.39	1560	4.86	1.90	0.39	1605
30	18	4.47	4.06	0.91	1200	4.28	3.89	0.91	1260	4.10	3.73	0.91	1320	3.95	3.60	0.91	1380
30	20	4.66	3.68	0.79	1260	4.47	3.53	0.79	1335	4.33	3.42	0.79	1365	4.18	3.30	0.79	1425
30	22	4.85	3.25	0.67	1305	4.67	3.13	0.67	1388	4.56	3.06	0.67	1425	4.37	2.93	0.67	1485
30	24	5.09	2.80	0.55	1365	4.90	2.70	0.55	1440	4.79	2.63	0.55	1485	4.64	2.55	0.55	1560
30	26	5.24	2.25	0.43	1440	5.09	2.19	0.43	1515	5.02	2.16	0.43	1560	4.86	2.09	0.43	1605
31	18	4.47	4.24	0.95	1200	4.28	4.06	0.95	1260	4.10	3.90	0.95	1320	3.95	3.75	0.95	1380
31	20	4.66	3.86	0.83	1260	4.47	3.71	0.83	1335	4.33	3.60	0.83	1365	4.18	3.47	0.83	1425
31	22	4.85	3.44	0.71	1305	4.67	3.32	0.71	1388	4.56	3.24	0.71	1425	4.37	3.10	0.71	1485
31	24	5.09	3.00	0.59	1365	4.90	2.89	0.59	1440	4.79	2.82	0.59	1485	4.64	2.74	0.59	1560
31	26	5.24	2.46	0.47	1440	5.09	2.39	0.47	1515	5.02	2.36	0.47	1560	4.86	2.29	0.47	1605
32	18	4.47	4.42	0.99	1200	4.28	4.23	0.99	1260	4.10	4.06	0.99	1320	3.95	3.91	0.99	1380
32	20	4.66	4.05	0.87	1260	4.47	3.88	0.87	1335	4.33	3.77	0.87	1365	4.18	3.64	0.87	1425
32	22	4.85	3.63	0.75	1305	4.67	3.51	0.75	1388	4.56	3.42	0.75	1425	4.37	3.28	0.75	1485
32	24	5.09	3.21	0.63	1365	4.90	3.09	0.63	1440	4.79	3.02	0.63	1485	4.64	2.92	0.63	1560
32	26	5.24	2.67	0.51	1440	5.09	2.60	0.51	1515	5.02	2.56	0.51	1560	4.86	2.48	0.51	1605

**PERFORMANCE DATA**

**COOLING operation(220V, 60Hz)**

**SE-1.6AR<sub>1</sub> / SU-1.6NR**

CAPACITY : 3.8 kW INPUT : 1500 W SHF : 0.73

		OUTDOOR DB(°C)											
INDOOR DB(°C)	INDOOR WB(°C)	35				40				46			
		Q	SHC	SHF	INPUT	Q	SHC	SHF	INPUT	Q	SHC	SHF	INPUT
21	18	3.72	2.05	0.55	1470	3.42	1.88	0.55	1560	3.15	1.73	0.55	1620
21	20	3.91	1.68	0.43	1530	3.65	1.57	0.43	1605	3.38	1.45	0.43	1695
22	18	3.72	2.20	0.59	1470	3.42	2.02	0.59	1560	3.15	1.86	0.59	1620
22	20	3.91	1.84	0.47	1530	3.65	1.71	0.47	1605	3.38	1.59	0.47	1695
22	22	4.14	1.45	0.35	1590	3.88	1.36	0.35	1680	3.61	1.26	0.35	1740
23	18	3.72	2.35	0.63	1470	3.42	2.15	0.63	1560	3.15	1.99	0.63	1620
23	20	3.91	2.00	0.51	1530	3.65	1.86	0.51	1605	3.38	1.72	0.51	1695
23	22	4.14	1.62	0.39	1590	3.88	1.51	0.39	1680	3.61	1.41	0.39	1740
24	18	3.72	2.50	0.67	1470	3.42	2.29	0.67	1560	3.15	2.11	0.67	1620
24	20	3.91	2.15	0.55	1530	3.65	2.01	0.55	1605	3.38	1.86	0.55	1695
24	22	4.14	1.78	0.43	1590	3.88	1.67	0.43	1680	3.61	1.55	0.43	1740
24	24	4.37	1.35	0.31	1650	4.10	1.27	0.31	1725	3.88	1.20	0.31	1800
25	20	3.91	2.31	0.59	1530	3.65	2.15	0.59	1605	3.38	2.00	0.59	1695
25	22	4.14	1.95	0.47	1590	3.88	1.82	0.47	1680	3.61	1.70	0.47	1740
25	24	4.37	1.53	0.35	1650	4.10	1.44	0.35	1725	3.88	1.36	0.35	1800
26	18	3.72	2.79	0.75	1470	3.42	2.57	0.75	1560	3.15	2.37	0.75	1620
26	20	3.91	2.47	0.63	1530	3.65	2.30	0.63	1605	3.38	2.13	0.63	1695
26	22	4.14	2.11	0.51	1590	3.88	1.98	0.51	1680	3.61	1.84	0.51	1740
26	24	4.37	1.70	0.39	1650	4.10	1.60	0.39	1725	3.88	1.51	0.39	1800
26	26	4.60	1.24	0.27	1710	4.33	1.17	0.27	1785	4.07	1.10	0.27	1860
27	18	3.72	2.94	0.79	1470	3.42	2.70	0.79	1560	3.15	2.49	0.79	1620
27	20	3.91	2.62	0.67	1530	3.65	2.44	0.67	1605	3.38	2.27	0.67	1695
27	22	4.14	2.28	0.55	1590	3.88	2.13	0.55	1680	3.61	1.99	0.55	1740
27	24	4.37	1.88	0.43	1650	4.10	1.76	0.43	1725	3.88	1.67	0.43	1800
27	26	4.60	1.43	0.31	1710	4.33	1.34	0.31	1785	4.07	1.26	0.31	1860
28	18	3.72	3.09	0.83	1470	3.42	2.84	0.83	1560	3.15	2.62	0.83	1620
28	20	3.91	2.78	0.71	1530	3.65	2.59	0.71	1605	3.38	2.40	0.71	1695
28	22	4.14	2.44	0.59	1590	3.88	2.29	0.59	1680	3.61	2.13	0.59	1740
28	24	4.37	2.05	0.47	1650	4.10	1.93	0.47	1725	3.88	1.82	0.47	1800
28	26	4.60	1.61	0.35	1710	4.33	1.52	0.35	1785	4.07	1.42	0.35	1860
29	18	3.72	3.24	0.87	1470	3.42	2.98	0.87	1560	3.15	2.74	0.87	1620
29	20	3.91	2.94	0.75	1530	3.65	2.74	0.75	1605	3.38	2.54	0.75	1695
29	22	4.14	2.61	0.63	1590	3.88	2.44	0.63	1680	3.61	2.27	0.63	1740
29	24	4.37	2.23	0.51	1650	4.10	2.09	0.51	1725	3.88	1.98	0.51	1800
29	26	4.60	1.79	0.39	1710	4.33	1.69	0.39	1785	4.07	1.59	0.39	1860
30	18	3.72	3.39	0.91	1470	3.42	3.11	0.91	1560	3.15	2.87	0.91	1620
30	20	3.91	3.09	0.79	1530	3.65	2.88	0.79	1605	3.38	2.67	0.79	1695
30	22	4.14	2.78	0.67	1590	3.88	2.60	0.67	1680	3.61	2.42	0.67	1740
30	24	4.37	2.40	0.55	1650	4.10	2.26	0.55	1725	3.88	2.13	0.55	1800
30	26	4.60	1.98	0.43	1710	4.33	1.86	0.43	1785	4.07	1.75	0.43	1860
31	18	3.72	3.54	0.95	1470	3.42	3.25	0.95	1560	3.15	3.00	0.95	1620
31	20	3.91	3.25	0.83	1530	3.65	3.03	0.83	1605	3.38	2.81	0.83	1695
31	22	4.14	2.94	0.71	1590	3.88	2.75	0.71	1680	3.61	2.56	0.71	1740
31	24	4.37	2.58	0.59	1650	4.10	2.42	0.59	1725	3.88	2.29	0.59	1800
31	26	4.60	2.16	0.47	1710	4.33	2.04	0.47	1785	4.07	1.91	0.47	1860
32	18	3.72	3.69	0.99	1470	3.42	3.39	0.99	1560	3.15	3.12	0.99	1620
32	20	3.91	3.41	0.87	1530	3.65	3.17	0.87	1605	3.38	2.94	0.87	1695
32	22	4.14	3.11	0.75	1590	3.88	2.91	0.75	1680	3.61	2.71	0.75	1740
32	24	4.37	2.75	0.63	1650	4.10	2.59	0.63	1725	3.88	2.44	0.63	1800
32	26	4.60	2.34	0.51	1710	4.33	2.21	0.51	1785	4.07	2.07	0.51	1860

**PERFORMANCE DATA**  
**COOLING operation(220V, 60Hz)**  
**SE-2AR / SU-2NR**

CAPACITY : 5.9 kW INPUT : 2500 W SHF : 0.69

		OUTDOOR DB(°C)															
INDOOR DB(°C)	INDOOR WB(°C)	21				25				27				30			
		Q	SHC	SHF	INPUT	Q	SHC	SHF	INPUT	Q	SHC	SHF	INPUT	Q	SHC	SHF	INPUT
21	18	6.93	3.54	0.51	2000	6.64	3.39	0.51	2100	6.37	3.25	0.51	2200	6.14	3.13	0.51	2300
21	20	7.23	2.82	0.39	2100	6.93	2.70	0.39	2225	6.73	2.62	0.39	2275	6.49	2.53	0.39	2375
22	18	6.93	3.81	0.55	2000	6.64	3.65	0.55	2100	6.37	3.50	0.55	2200	6.14	3.37	0.55	2300
22	20	7.23	3.11	0.43	2100	6.93	2.98	0.43	2225	6.73	2.89	0.43	2275	6.49	2.79	0.43	2375
22	22	7.52	2.33	0.31	2175	7.26	2.25	0.31	2313	7.08	2.19	0.31	2375	6.79	2.10	0.31	2475
23	18	6.93	4.09	0.59	2000	6.64	3.92	0.59	2100	6.37	3.76	0.59	2200	6.14	3.62	0.59	2300
23	20	7.23	3.40	0.47	2100	6.93	3.26	0.47	2225	6.73	3.16	0.47	2275	6.49	3.05	0.47	2375
23	22	7.52	2.63	0.35	2175	7.26	2.54	0.35	2313	7.08	2.48	0.35	2375	6.79	2.37	0.35	2475
24	18	6.93	4.37	0.63	2000	6.64	4.18	0.63	2100	6.37	4.01	0.63	2200	6.14	3.87	0.63	2300
24	20	7.23	3.69	0.51	2100	6.93	3.54	0.51	2225	6.73	3.43	0.51	2275	6.49	3.31	0.51	2375
24	22	7.52	2.93	0.39	2175	7.26	2.83	0.39	2313	7.08	2.76	0.39	2375	6.79	2.65	0.39	2475
24	24	7.91	2.13	0.27	2275	7.61	2.05	0.27	2400	7.43	2.01	0.27	2475	7.20	1.94	0.27	2600
25	20	7.23	3.98	0.55	2100	6.93	3.81	0.55	2225	6.73	3.70	0.55	2275	6.49	3.57	0.55	2375
25	22	7.52	3.23	0.43	2175	7.26	3.12	0.43	2313	7.08	3.04	0.43	2375	6.79	2.92	0.43	2475
25	24	7.91	2.45	0.31	2275	7.61	2.36	0.31	2400	7.43	2.30	0.31	2475	7.20	2.23	0.31	2600
26	18	6.93	4.92	0.71	2000	6.64	4.71	0.71	2100	6.37	4.52	0.71	2200	6.14	4.36	0.71	2300
26	20	7.23	4.26	0.59	2100	6.93	4.09	0.59	2225	6.73	3.97	0.59	2275	6.49	3.83	0.59	2375
26	22	7.52	3.54	0.47	2175	7.26	3.41	0.47	2313	7.08	3.33	0.47	2375	6.79	3.19	0.47	2475
26	24	7.91	2.77	0.35	2275	7.61	2.66	0.35	2400	7.43	2.60	0.35	2475	7.20	2.52	0.35	2600
26	26	8.14	1.87	0.23	2400	7.91	1.82	0.23	2525	7.79	1.79	0.23	2600	7.55	1.74	0.23	2675
27	18	6.93	5.20	0.75	2000	6.64	4.98	0.75	2100	6.37	4.78	0.75	2200	6.14	4.60	0.75	2300
27	20	7.23	4.55	0.63	2100	6.93	4.37	0.63	2225	6.73	4.24	0.63	2275	6.49	4.09	0.63	2375
27	22	7.52	3.84	0.51	2175	7.26	3.70	0.51	2313	7.08	3.61	0.51	2375	6.79	3.46	0.51	2475
27	24	7.91	3.08	0.39	2275	7.61	2.97	0.39	2400	7.43	2.90	0.39	2475	7.20	2.81	0.39	2600
27	26	8.14	2.20	0.27	2400	7.91	2.13	0.27	2525	7.79	2.10	0.27	2600	7.55	2.04	0.27	2675
28	18	6.93	5.48	0.79	2000	6.64	5.24	0.79	2100	6.37	5.03	0.79	2200	6.14	4.85	0.79	2300
28	20	7.23	4.84	0.67	2100	6.93	4.64	0.67	2225	6.73	4.51	0.67	2275	6.49	4.35	0.67	2375
28	22	7.52	4.14	0.55	2175	7.26	3.99	0.55	2313	7.08	3.89	0.55	2375	6.79	3.73	0.55	2475
28	24	7.91	3.40	0.43	2275	7.61	3.27	0.43	2400	7.43	3.20	0.43	2475	7.20	3.10	0.43	2600
28	26	8.14	2.52	0.31	2400	7.91	2.45	0.31	2525	7.79	2.41	0.31	2600	7.55	2.34	0.31	2675
29	18	6.93	5.75	0.83	2000	6.64	5.51	0.83	2100	6.37	5.29	0.83	2200	6.14	5.09	0.83	2300
29	20	7.23	5.13	0.71	2100	6.93	4.92	0.71	2225	6.73	4.78	0.71	2275	6.49	4.61	0.71	2375
29	22	7.52	4.44	0.59	2175	7.26	4.28	0.59	2313	7.08	4.18	0.59	2375	6.79	4.00	0.59	2475
29	24	7.91	3.72	0.47	2275	7.61	3.58	0.47	2400	7.43	3.49	0.47	2475	7.20	3.38	0.47	2600
29	26	8.14	2.85	0.35	2400	7.91	2.77	0.35	2525	7.79	2.73	0.35	2600	7.55	2.64	0.35	2675
30	18	6.93	6.03	0.87	2000	6.64	5.77	0.87	2100	6.37	5.54	0.87	2200	6.14	5.34	0.87	2300
30	20	7.23	5.42	0.75	2100	6.93	5.20	0.75	2225	6.73	5.04	0.75	2275	6.49	4.87	0.75	2375
30	22	7.52	4.74	0.63	2175	7.26	4.57	0.63	2313	7.08	4.46	0.63	2375	6.79	4.27	0.63	2475
30	24	7.91	4.03	0.51	2275	7.61	3.88	0.51	2400	7.43	3.79	0.51	2475	7.20	3.67	0.51	2600
30	26	8.14	3.18	0.39	2400	7.91	3.08	0.39	2525	7.79	3.04	0.39	2600	7.55	2.95	0.39	2675
31	18	6.93	6.31	0.91	2000	6.64	6.04	0.91	2100	6.37	5.80	0.91	2200	6.14	5.58	0.91	2300
31	20	7.23	5.71	0.79	2100	6.93	5.48	0.79	2225	6.73	5.31	0.79	2275	6.49	5.13	0.79	2375
31	22	7.52	5.04	0.67	2175	7.26	4.86	0.67	2313	7.08	4.74	0.67	2375	6.79	4.55	0.67	2475
31	24	7.91	4.35	0.55	2275	7.61	4.19	0.55	2400	7.43	4.09	0.55	2475	7.20	3.96	0.55	2600
31	26	8.14	3.50	0.43	2400	7.91	3.40	0.43	2525	7.79	3.35	0.43	2600	7.55	3.25	0.43	2675
32	18	6.93	6.59	0.95	2000	6.64	6.31	0.95	2100	6.37	6.05	0.95	2200	6.14	5.83	0.95	2300
32	20	7.23	6.00	0.83	2100	6.93	5.75	0.83	2225	6.73	5.58	0.83	2275	6.49	5.39	0.83	2375
32	22	7.52	5.34	0.71	2175	7.26	5.15	0.71	2313	7.08	5.03	0.71	2375	6.79	4.82	0.71	2475
32	24	7.91	4.66	0.59	2275	7.61	4.49	0.59	2400	7.43	4.39	0.59	2475	7.20	4.25	0.59	2600
32	26	8.14	3.83	0.47	2400	7.91	3.72	0.47	2525	7.79	3.66	0.47	2600	7.55	3.55	0.47	2675

**PERFORMANCE DATA**

**COOLING operation(220V, 60Hz)**

**SE-2AR / SU-2NR**

CAPACITY : 5.9 kW INPUT : 2500 W SHF : 0.69

		OUTDOOR DB(°C)											
INDOOR DB(°C)	INDOOR WB(°C)	35				40				46			
		Q	SHC	SHF	INPUT	Q	SHC	SHF	INPUT	Q	SHC	SHF	INPUT
21	18	5.78	2.95	0.51	2450	5.31	2.71	0.51	2600	4.90	2.50	0.51	2700
21	20	6.08	2.37	0.39	2550	5.66	2.21	0.39	2675	5.25	2.05	0.39	2825
22	18	5.78	3.18	0.55	2450	5.31	2.92	0.55	2600	4.90	2.69	0.55	2700
22	20	6.08	2.61	0.43	2550	5.66	2.44	0.43	2675	5.25	2.26	0.43	2825
22	22	6.43	1.99	0.31	2650	6.02	1.87	0.31	2800	5.61	1.74	0.31	2900
23	18	5.78	3.41	0.59	2450	5.31	3.13	0.59	2600	4.90	2.89	0.59	2700
23	20	6.08	2.86	0.47	2550	5.66	2.66	0.47	2675	5.25	2.47	0.47	2825
23	22	6.43	2.25	0.35	2650	6.02	2.11	0.35	2800	5.61	1.96	0.35	2900
24	18	5.78	3.64	0.63	2450	5.31	3.35	0.63	2600	4.90	3.09	0.63	2700
24	20	6.08	3.10	0.51	2550	5.66	2.89	0.51	2675	5.25	2.68	0.51	2825
24	22	6.43	2.51	0.39	2650	6.02	2.35	0.39	2800	5.61	2.19	0.39	2900
24	24	6.79	1.83	0.27	2750	6.37	1.72	0.27	2875	6.02	1.62	0.27	3000
25	20	6.08	3.34	0.55	2550	5.66	3.12	0.55	2675	5.25	2.89	0.55	2825
25	22	6.43	2.77	0.43	2650	6.02	2.59	0.43	2800	5.61	2.41	0.43	2900
25	24	6.79	2.10	0.31	2750	6.37	1.98	0.31	2875	6.02	1.87	0.31	3000
26	18	5.78	4.11	0.71	2450	5.31	3.77	0.71	2600	4.90	3.48	0.71	2700
26	20	6.08	3.59	0.59	2550	5.66	3.34	0.59	2675	5.25	3.10	0.59	2825
26	22	6.43	3.02	0.47	2650	6.02	2.83	0.47	2800	5.61	2.63	0.47	2900
26	24	6.79	2.37	0.35	2750	6.37	2.23	0.35	2875	6.02	2.11	0.35	3000
26	26	7.14	1.64	0.23	2850	6.73	1.55	0.23	2975	6.31	1.45	0.23	3100
27	18	5.78	4.34	0.75	2450	5.31	3.98	0.75	2600	4.90	3.67	0.75	2700
27	20	6.08	3.83	0.63	2550	5.66	3.57	0.63	2675	5.25	3.31	0.63	2825
27	22	6.43	3.28	0.51	2650	6.02	3.07	0.51	2800	5.61	2.86	0.51	2900
27	24	6.79	2.65	0.39	2750	6.37	2.49	0.39	2875	6.02	2.35	0.39	3000
27	26	7.14	1.93	0.27	2850	6.73	1.82	0.27	2975	6.31	1.70	0.27	3100
28	18	5.78	4.57	0.79	2450	5.31	4.19	0.79	2600	4.90	3.87	0.79	2700
28	20	6.08	4.07	0.67	2550	5.66	3.79	0.67	2675	5.25	3.52	0.67	2825
28	22	6.43	3.54	0.55	2650	6.02	3.31	0.55	2800	5.61	3.08	0.55	2900
28	24	6.79	2.92	0.43	2750	6.37	2.74	0.43	2875	6.02	2.59	0.43	3000
28	26	7.14	2.21	0.31	2850	6.73	2.09	0.31	2975	6.31	1.96	0.31	3100
29	18	5.78	4.80	0.83	2450	5.31	4.41	0.83	2600	4.90	4.06	0.83	2700
29	20	6.08	4.31	0.71	2550	5.66	4.02	0.71	2675	5.25	3.73	0.71	2825
29	22	6.43	3.79	0.59	2650	6.02	3.55	0.59	2800	5.61	3.31	0.59	2900
29	24	6.79	3.19	0.47	2750	6.37	2.99	0.47	2875	6.02	2.83	0.47	3000
29	26	7.14	2.50	0.35	2850	6.73	2.35	0.35	2975	6.31	2.21	0.35	3100
30	18	5.78	5.03	0.87	2450	5.31	4.62	0.87	2600	4.90	4.26	0.87	2700
30	20	6.08	4.56	0.75	2550	5.66	4.25	0.75	2675	5.25	3.94	0.75	2825
30	22	6.43	4.05	0.63	2650	6.02	3.79	0.63	2800	5.61	3.53	0.63	2900
30	24	6.79	3.46	0.51	2750	6.37	3.25	0.51	2875	6.02	3.07	0.51	3000
30	26	7.14	2.78	0.39	2850	6.73	2.62	0.39	2975	6.31	2.46	0.39	3100
31	18	5.78	5.26	0.91	2450	5.31	4.83	0.91	2600	4.90	4.46	0.91	2700
31	20	6.08	4.80	0.79	2550	5.66	4.47	0.79	2675	5.25	4.15	0.79	2825
31	22	6.43	4.31	0.67	2650	6.02	4.03	0.67	2800	5.61	3.76	0.67	2900
31	24	6.79	3.73	0.55	2750	6.37	3.50	0.55	2875	6.02	3.31	0.55	3000
31	26	7.14	3.07	0.43	2850	6.73	2.89	0.43	2975	6.31	2.71	0.43	3100
32	18	5.78	5.49	0.95	2450	5.31	5.04	0.95	2600	4.90	4.65	0.95	2700
32	20	6.08	5.04	0.83	2550	5.66	4.70	0.83	2675	5.25	4.36	0.83	2825
32	22	6.43	4.57	0.71	2650	6.02	4.27	0.71	2800	5.61	3.98	0.71	2900
32	24	6.79	4.00	0.59	2750	6.37	3.76	0.59	2875	6.02	3.55	0.59	3000
32	26	7.14	3.36	0.47	2850	6.73	3.16	0.47	2975	6.31	2.97	0.47	3100

**PERFORMANCE DATA**  
**COOLING operation(220V, 60Hz)**  
**SE-2.5AR / SU-2.5NR**

CAPACITY : 7.0 kW INPUT : 2920 W SHF : 0.68

INDOOR		OUTDOOR DB(°C)															
		21				25				27				30			
		DB(°C)	WB(°C)	Q	SHC	SHF	INPUT	Q	SHC	SHF	INPUT	Q	SHC	SHF	INPUT	Q	SHC
21	18	8.23	4.11	0.50	2336	7.88	3.94	0.50	2453	7.56	3.78	0.50	2570	7.28	3.64	0.50	2686
21	20	8.58	3.26	0.38	2453	8.23	3.13	0.38	2599	7.98	3.03	0.38	2657	7.70	2.93	0.38	2774
22	18	8.23	4.44	0.54	2336	7.88	4.25	0.54	2453	7.56	4.08	0.54	2570	7.28	3.93	0.54	2686
22	20	8.58	3.60	0.42	2453	8.23	3.45	0.42	2599	7.98	3.35	0.42	2657	7.70	3.23	0.42	2774
22	22	8.93	2.68	0.30	2540	8.61	2.58	0.30	2701	8.40	2.52	0.30	2774	8.05	2.42	0.30	2891
23	18	8.23	4.77	0.58	2336	7.88	4.57	0.58	2453	7.56	4.38	0.58	2570	7.28	4.22	0.58	2686
23	20	8.58	3.94	0.46	2453	8.23	3.78	0.46	2599	7.98	3.67	0.46	2657	7.70	3.54	0.46	2774
23	22	8.93	3.03	0.34	2540	8.61	2.93	0.34	2701	8.40	2.86	0.34	2774	8.05	2.74	0.34	2891
24	18	8.23	5.10	0.62	2336	7.88	4.88	0.62	2453	7.56	4.69	0.62	2570	7.28	4.51	0.62	2686
24	20	8.58	4.29	0.50	2453	8.23	4.11	0.50	2599	7.98	3.99	0.50	2657	7.70	3.85	0.50	2774
24	22	8.93	3.39	0.38	2540	8.61	3.27	0.38	2701	8.40	3.19	0.38	2774	8.05	3.06	0.38	2891
24	24	9.38	2.44	0.26	2657	9.03	2.35	0.26	2803	8.82	2.29	0.26	2891	8.54	2.22	0.26	3037
25	20	8.58	4.63	0.54	2453	8.23	4.44	0.54	2599	7.98	4.31	0.54	2657	7.70	4.16	0.54	2774
25	22	8.93	3.75	0.42	2540	8.61	3.62	0.42	2701	8.40	3.53	0.42	2774	8.05	3.38	0.42	2891
25	24	9.38	2.81	0.30	2657	9.03	2.71	0.30	2803	8.82	2.65	0.30	2891	8.54	2.56	0.30	3037
26	18	8.23	5.76	0.70	2336	7.88	5.51	0.70	2453	7.56	5.29	0.70	2570	7.28	5.10	0.70	2686
26	20	8.58	4.97	0.58	2453	8.23	4.77	0.58	2599	7.98	4.63	0.58	2657	7.70	4.47	0.58	2774
26	22	8.93	4.11	0.46	2540	8.61	3.96	0.46	2701	8.40	3.86	0.46	2774	8.05	3.70	0.46	2891
26	24	9.38	3.19	0.34	2657	9.03	3.07	0.34	2803	8.82	3.00	0.34	2891	8.54	2.90	0.34	3037
26	26	9.66	2.13	0.22	2803	9.38	2.06	0.22	2949	9.24	2.03	0.22	3037	8.96	1.97	0.22	3124
27	18	8.23	6.09	0.74	2336	7.88	5.83	0.74	2453	7.56	5.59	0.74	2570	7.28	5.39	0.74	2686
27	20	8.58	5.32	0.62	2453	8.23	5.10	0.62	2599	7.98	4.95	0.62	2657	7.70	4.77	0.62	2774
27	22	8.93	4.46	0.50	2540	8.61	4.31	0.50	2701	8.40	4.20	0.50	2774	8.05	4.03	0.50	2891
27	24	9.38	3.56	0.38	2657	9.03	3.43	0.38	2803	8.82	3.35	0.38	2891	8.54	3.25	0.38	3037
27	26	9.66	2.51	0.26	2803	9.38	2.44	0.26	2949	9.24	2.40	0.26	3037	8.96	2.33	0.26	3124
28	18	8.23	6.42	0.78	2336	7.88	6.14	0.78	2453	7.56	5.90	0.78	2570	7.28	5.68	0.78	2686
28	20	8.58	5.66	0.66	2453	8.23	5.43	0.66	2599	7.98	5.27	0.66	2657	7.70	5.08	0.66	2774
28	22	8.93	4.82	0.54	2540	8.61	4.65	0.54	2701	8.40	4.54	0.54	2774	8.05	4.35	0.54	2891
28	24	9.38	3.94	0.42	2657	9.03	3.79	0.42	2803	8.82	3.70	0.42	2891	8.54	3.59	0.42	3037
28	26	9.66	2.90	0.30	2803	9.38	2.81	0.30	2949	9.24	2.77	0.30	3037	8.96	2.69	0.30	3124
29	18	8.23	6.74	0.82	2336	7.88	6.46	0.82	2453	7.56	6.20	0.82	2570	7.28	5.97	0.82	2686
29	20	8.58	6.00	0.70	2453	8.23	5.76	0.70	2599	7.98	5.59	0.70	2657	7.70	5.39	0.70	2774
29	22	8.93	5.18	0.58	2540	8.61	4.99	0.58	2701	8.40	4.87	0.58	2774	8.05	4.67	0.58	2891
29	24	9.38	4.31	0.46	2657	9.03	4.15	0.46	2803	8.82	4.06	0.46	2891	8.54	3.93	0.46	3037
29	26	9.66	3.28	0.34	2803	9.38	3.19	0.34	2949	9.24	3.14	0.34	3037	8.96	3.05	0.34	3124
30	18	8.23	7.07	0.86	2336	7.88	6.77	0.86	2453	7.56	6.50	0.86	2570	7.28	6.26	0.86	2686
30	20	8.58	6.35	0.74	2453	8.23	6.09	0.74	2599	7.98	5.91	0.74	2657	7.70	5.70	0.74	2774
30	22	8.93	5.53	0.62	2540	8.61	5.34	0.62	2701	8.40	5.21	0.62	2774	8.05	4.99	0.62	2891
30	24	9.38	4.69	0.50	2657	9.03	4.52	0.50	2803	8.82	4.41	0.50	2891	8.54	4.27	0.50	3037
30	26	9.66	3.67	0.38	2803	9.38	3.56	0.38	2949	9.24	3.51	0.38	3037	8.96	3.40	0.38	3124
31	18	8.23	7.40	0.90	2336	7.88	7.09	0.90	2453	7.56	6.80	0.90	2570	7.28	6.55	0.90	2686
31	20	8.58	6.69	0.78	2453	8.23	6.42	0.78	2599	7.98	6.22	0.78	2657	7.70	6.01	0.78	2774
31	22	8.93	5.89	0.66	2540	8.61	5.68	0.66	2701	8.40	5.54	0.66	2774	8.05	5.31	0.66	2891
31	24	9.38	5.07	0.54	2657	9.03	4.88	0.54	2803	8.82	4.76	0.54	2891	8.54	4.61	0.54	3037
31	26	9.66	4.06	0.42	2803	9.38	3.94	0.42	2949	9.24	3.88	0.42	3037	8.96	3.76	0.42	3124
32	18	8.23	7.73	0.94	2336	7.88	7.40	0.94	2453	7.56	7.11	0.94	2570	7.28	6.84	0.94	2686
32	20	8.58	7.03	0.82	2453	8.23	6.74	0.82	2599	7.98	6.54	0.82	2657	7.70	6.31	0.82	2774
32	22	8.93	6.25	0.70	2540	8.61	6.03	0.70	2701	8.40	5.88	0.70	2774	8.05	5.64	0.70	2891
32	24	9.38	5.44	0.58	2657	9.03	5.24	0.58	2803	8.82	5.12	0.58	2891	8.54	4.95	0.58	3037
32	26	9.66	4.44	0.46	2803	9.38	4.31	0.46	2949	9.24	4.25	0.46	3037	8.96	4.12	0.46	3124



**PERFORMANCE DATA**

**COOLING operation(220V, 60Hz)**

**SE-2.5AR / SU-2.5NR**

CAPACITY : 7.0 kW INPUT : 2920 W SHF : 0.68

		OUTDOOR DB(°C)											
INDOOR DB(°C)	INDOOR WB(°C)	35				40				46			
		Q	SHC	SHF	INPUT	Q	SHC	SHF	INPUT	Q	SHC	SHF	INPUT
21	18	6.86	3.43	0.50	2862	6.30	3.15	0.50	3037	5.81	2.91	0.50	3154
21	20	7.21	2.74	0.38	2978	6.72	2.55	0.38	3124	6.23	2.37	0.38	3300
22	18	6.86	3.70	0.54	2862	6.30	3.40	0.54	3037	5.81	3.14	0.54	3154
22	20	7.21	3.03	0.42	2978	6.72	2.82	0.42	3124	6.23	2.62	0.42	3300
22	22	7.63	2.29	0.30	3095	7.14	2.14	0.30	3270	6.65	2.00	0.30	3387
23	18	6.86	3.98	0.58	2862	6.30	3.65	0.58	3037	5.81	3.37	0.58	3154
23	20	7.21	3.32	0.46	2978	6.72	3.09	0.46	3124	6.23	2.87	0.46	3300
23	22	7.63	2.59	0.34	3095	7.14	2.43	0.34	3270	6.65	2.26	0.34	3387
24	18	6.86	4.25	0.62	2862	6.30	3.91	0.62	3037	5.81	3.60	0.62	3154
24	20	7.21	3.61	0.50	2978	6.72	3.36	0.50	3124	6.23	3.12	0.50	3300
24	22	7.63	2.90	0.38	3095	7.14	2.71	0.38	3270	6.65	2.53	0.38	3387
24	24	8.05	2.09	0.26	3212	7.56	1.97	0.26	3358	7.14	1.86	0.26	3504
25	20	7.21	3.89	0.54	2978	6.72	3.63	0.54	3124	6.23	3.36	0.54	3300
25	22	7.63	3.20	0.42	3095	7.14	3.00	0.42	3270	6.65	2.79	0.42	3387
25	24	8.05	2.42	0.30	3212	7.56	2.27	0.30	3358	7.14	2.14	0.30	3504
26	18	6.86	4.80	0.70	2862	6.30	4.41	0.70	3037	5.81	4.07	0.70	3154
26	20	7.21	4.18	0.58	2978	6.72	3.90	0.58	3124	6.23	3.61	0.58	3300
26	22	7.63	3.51	0.46	3095	7.14	3.28	0.46	3270	6.65	3.06	0.46	3387
26	24	8.05	2.74	0.34	3212	7.56	2.57	0.34	3358	7.14	2.43	0.34	3504
26	26	8.47	1.86	0.22	3329	7.98	1.76	0.22	3475	7.49	1.65	0.22	3621
27	18	6.86	5.08	0.74	2862	6.30	4.66	0.74	3037	5.81	4.30	0.74	3154
27	20	7.21	4.47	0.62	2978	6.72	4.17	0.62	3124	6.23	3.86	0.62	3300
27	22	7.63	3.82	0.50	3095	7.14	3.57	0.50	3270	6.65	3.33	0.50	3387
27	24	8.05	3.06	0.38	3212	7.56	2.87	0.38	3358	7.14	2.71	0.38	3504
27	26	8.47	2.20	0.26	3329	7.98	2.07	0.26	3475	7.49	1.95	0.26	3621
28	18	6.86	5.35	0.78	2862	6.30	4.91	0.78	3037	5.81	4.53	0.78	3154
28	20	7.21	4.76	0.66	2978	6.72	4.44	0.66	3124	6.23	4.11	0.66	3300
28	22	7.63	4.12	0.54	3095	7.14	3.86	0.54	3270	6.65	3.59	0.54	3387
28	24	8.05	3.38	0.42	3212	7.56	3.18	0.42	3358	7.14	3.00	0.42	3504
28	26	8.47	2.54	0.30	3329	7.98	2.39	0.30	3475	7.49	2.25	0.30	3621
29	18	6.86	5.63	0.82	2862	6.30	5.17	0.82	3037	5.81	4.76	0.82	3154
29	20	7.21	5.05	0.70	2978	6.72	4.70	0.70	3124	6.23	4.36	0.70	3300
29	22	7.63	4.43	0.58	3095	7.14	4.14	0.58	3270	6.65	3.86	0.58	3387
29	24	8.05	3.70	0.46	3212	7.56	3.48	0.46	3358	7.14	3.28	0.46	3504
29	26	8.47	2.88	0.34	3329	7.98	2.71	0.34	3475	7.49	2.55	0.34	3621
30	18	6.86	5.90	0.86	2862	6.30	5.42	0.86	3037	5.81	5.00	0.86	3154
30	20	7.21	5.34	0.74	2978	6.72	4.97	0.74	3124	6.23	4.61	0.74	3300
30	22	7.63	4.73	0.62	3095	7.14	4.43	0.62	3270	6.65	4.12	0.62	3387
30	24	8.05	4.03	0.50	3212	7.56	3.78	0.50	3358	7.14	3.57	0.50	3504
30	26	8.47	3.22	0.38	3329	7.98	3.03	0.38	3475	7.49	2.85	0.38	3621
31	18	6.86	6.17	0.90	2862	6.30	5.67	0.90	3037	5.81	5.23	0.90	3154
31	20	7.21	5.62	0.78	2978	6.72	5.24	0.78	3124	6.23	4.86	0.78	3300
31	22	7.63	5.04	0.66	3095	7.14	4.71	0.66	3270	6.65	4.39	0.66	3387
31	24	8.05	4.35	0.54	3212	7.56	4.08	0.54	3358	7.14	3.86	0.54	3504
31	26	8.47	3.56	0.42	3329	7.98	3.35	0.42	3475	7.49	3.15	0.42	3621
32	18	6.86	6.45	0.94	2862	6.30	5.92	0.94	3037	5.81	5.46	0.94	3154
32	20	7.21	5.91	0.82	2978	6.72	5.51	0.82	3124	6.23	5.11	0.82	3300
32	22	7.63	5.34	0.70	3095	7.14	5.00	0.70	3270	6.65	4.66	0.70	3387
32	24	8.05	4.67	0.58	3212	7.56	4.38	0.58	3358	7.14	4.14	0.58	3504
32	26	8.47	3.90	0.46	3329	7.98	3.67	0.46	3475	7.49	3.45	0.46	3621

**PERFORMANCE DATA****HEATING operation(220V, 50Hz)****SEH-1.6AR / SUH-1.6VR**

CAPACITY : 4.1 kW INPUT : 1350 W

INDOOR D.B.(°C)	OUTDOOR W.B.(°C)													
	-10		-5		0		5		10		15		20	
	Q	INPUT	Q	INPUT	Q	INPUT	Q	INPUT	Q	INPUT	Q	INPUT	Q	INPUT
15	2.58	878	3.12	1053	3.65	1188	4.18	1283	4.72	1364	5.21	1410	5.74	1431
21	2.46	945	2.95	1121	3.49	1242	3.98	1337	4.51	1404	5.00	1445	5.51	1499
26	2.21	1013	2.75	1188	3.24	1310	3.77	1404	4.31	1472	4.80	1512	5.33	1553

**SEH-1.6AR<sub>1</sub> / SUH-1.6VR<sub>2</sub>**

CAPACITY : 4.5 kW INPUT : 1510 W

INDOOR D.B.(°C)	OUTDOOR W.B.(°C)													
	-10		-5		0		5		10		15		20	
	Q	INPUT	Q	INPUT	Q	INPUT	Q	INPUT	Q	INPUT	Q	INPUT	Q	INPUT
15	2.84	982	3.42	1178	4.01	1329	4.59	1435	5.18	1525	5.72	1570	6.30	1601
21	2.70	1057	3.24	1253	3.83	1389	4.37	1495	4.95	1570	5.49	1616	6.05	1676
26	2.43	1133	3.02	1329	3.56	1465	4.14	1570	4.73	1646	5.27	1691	5.85	1737

**SEH-2AR / SUH-2VR**

CAPACITY : 5.7 kW INPUT : 2050 W

INDOOR D.B.(°C)	OUTDOOR W.B.(°C)													
	-10		-5		0		5		10		15		20	
	Q	INPUT	Q	INPUT	Q	INPUT	Q	INPUT	Q	INPUT	Q	INPUT	Q	INPUT
15	3.59	1333	4.33	1599	5.07	1804	5.81	1948	6.56	2071	7.24	2132	7.98	2173
21	3.42	1435	4.10	1702	4.85	1886	5.53	2030	6.27	2132	6.95	2194	7.67	2276
26	3.08	1538	3.82	1804	4.50	1989	5.24	2132	5.99	2235	6.67	2296	7.41	2358

**SEH-2.5AR / SUH-2.5VR**

CAPACITY : 6.9 kW INPUT : 2680 W

INDOOR D.B.(°C)	OUTDOOR W.B.(°C)													
	-10		-5		0		5		10		15		20	
	Q	INPUT	Q	INPUT	Q	INPUT	Q	INPUT	Q	INPUT	Q	INPUT	Q	INPUT
15	4.35	1742	5.24	2090	6.14	2358	7.04	2546	7.94	2707	8.76	2787	9.66	2841
21	4.14	1876	4.97	2224	5.87	2466	6.69	2653	7.59	2787	8.42	2868	9.28	2975
26	3.73	2010	4.62	2358	5.45	2600	6.35	2787	7.25	2921	8.07	3002	8.97	3082

**HEATING operation(240V, 50Hz)****SEH-1.6AR / SUH-1.6VR**

CAPACITY : 4.2 kW INPUT : 1460 W

INDOOR D.B.(°C)	OUTDOOR W.B.(°C)													
	-10		-5		0		5		10		15		20	
	Q	INPUT	Q	INPUT	Q	INPUT	Q	INPUT	Q	INPUT	Q	INPUT	Q	INPUT
15	2.65	949	3.19	1139	3.74	1285	4.28	1387	4.83	1475	5.33	1518	5.88	1548
21	2.52	1022	3.02	1212	3.57	1343	4.07	1445	4.62	1518	5.12	1562	5.65	1621
26	2.27	1095	2.81	1285	3.32	1416	3.86	1518	4.41	1591	4.91	1635	5.46	1679

**SEH-1.6AR<sub>1</sub> / SUH-1.6VR<sub>2</sub>**

CAPACITY : 4.6 kW INPUT : 1610 W

INDOOR D.B.(°C)	OUTDOOR W.B.(°C)													
	-10		-5		0		5		10		15		20	
	Q	INPUT	Q	INPUT	Q	INPUT	Q	INPUT	Q	INPUT	Q	INPUT	Q	INPUT
15	2.90	1047	3.50	1256	4.09	1417	4.69	1530	5.29	1626	5.84	1674	6.44	1707
21	2.76	1127	3.31	1336	3.91	1481	4.46	1594	5.06	1674	5.61	1723	6.19	1787
26	2.48	1208	3.08	1417	3.63	1562	4.23	1674	4.83	1755	5.38	1803	5.98	1852

**SEH-2AR / SUH-2VR**

CAPACITY : 5.8 kW INPUT : 2110 W

INDOOR D.B.(°C)	OUTDOOR W.B.(°C)													
	-10		-5		0		5		10		15		20	
	Q	INPUT	Q	INPUT	Q	INPUT	Q	INPUT	Q	INPUT	Q	INPUT	Q	INPUT
15	3.65	1372	4.41	1646	5.16	1857	5.92	2005	6.67	2131	7.37	2194	8.12	2237
21	3.48	1477	4.18	1751	4.93	1941	5.63	2089	6.38	2194	7.08	2258	7.80	2342
26	3.13	1583	3.89	1857	4.58	2047	5.34	2194	6.09	2300	6.79	2363	7.54	2427

**SEH-2.5AR / SUH-2.5VR**

CAPACITY : 7.0 kW INPUT : 2750 W

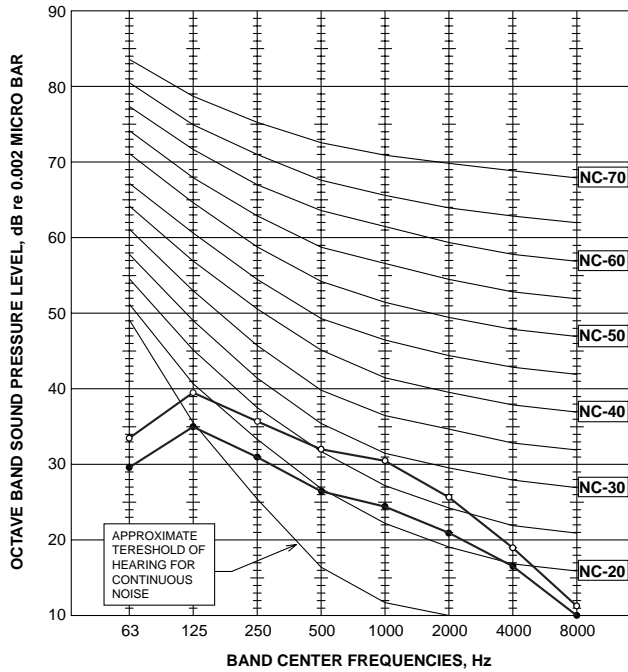
INDOOR D.B.(°C)	OUTDOOR W.B.(°C)													
	-10		-5		0		5		10		15		20	
	Q	INPUT	Q	INPUT	Q	INPUT	Q	INPUT	Q	INPUT	Q	INPUT	Q	INPUT
15	4.41	1788	5.32	2145	6.23	2420	7.14	2613	8.05	2778	8.89	2860	9.80	2915
21	4.20	1925	5.04	2283	5.95	2530	6.79	2723	7.70	2860	8.54	2943	9.42	3053
26	3.78	2063	4.69	2420	5.53	2668	6.44	2860	7.35	2998	8.19	3080	9.10	3163

## NOISE CRITERION CURVES

**SEH-1.6AR**  
**SE-1.6AR**

<50/60Hz>

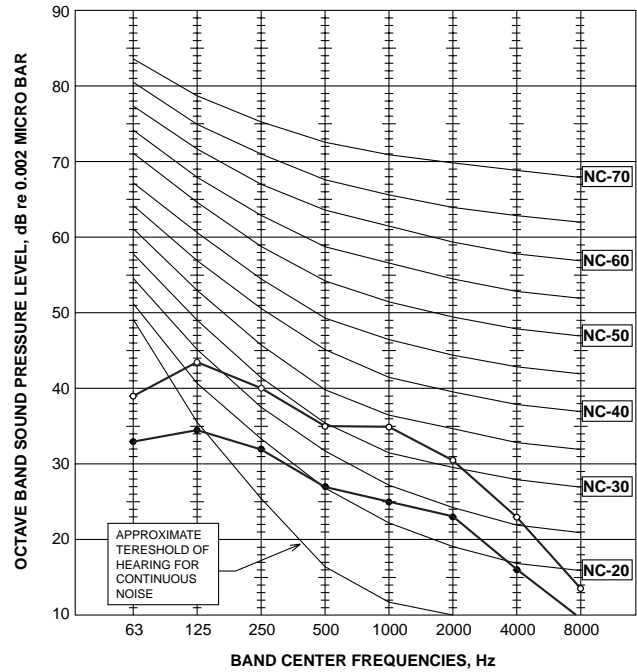
NOTCH	SPL(dB)	LINE
Hi	35	○—○
Lo	30	●—●



**SEH-2AR**  
**SE-2AR**

<50/60Hz>

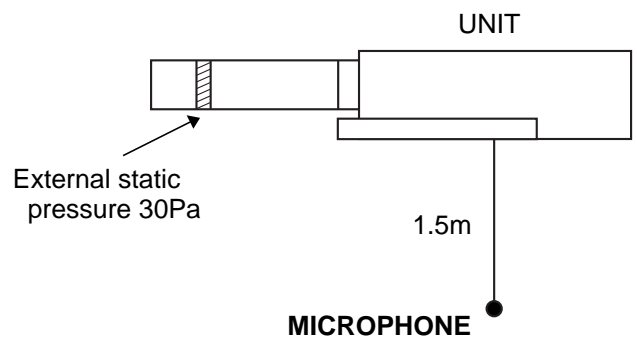
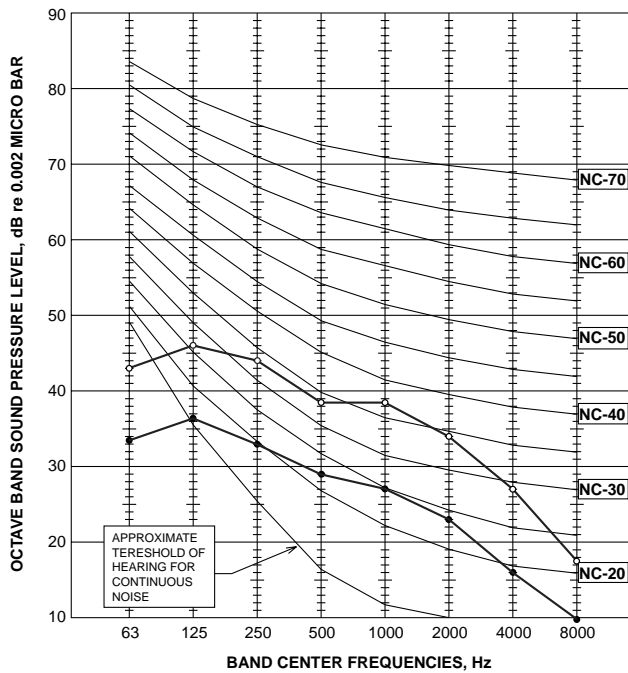
NOTCH	SPL(dB)	LINE
Hi	39	○—○
Lo	31	●—●



**SEH-2.5AR**  
**SE-2.5AR**

<50/60Hz>

NOTCH	SPL(dB)	LINE
Hi	43	○—○
Lo	32	●—●



Ambient temperature 27°C

Test conditions are based on JIS Z8731

**NOTE:** The sound level is measured in an anechoic room where echoes are few, when compressor stops. The sound may be bigger than displayed level under actual installation condition by surrounding echoes. The sound level can be higher by about 2 dB than the displayed level during cooling and heating operation.

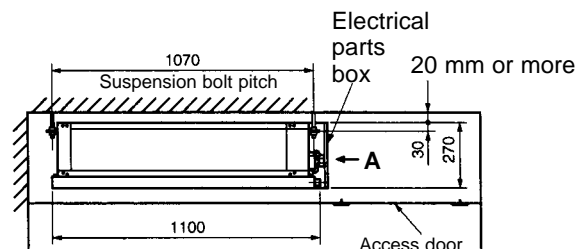
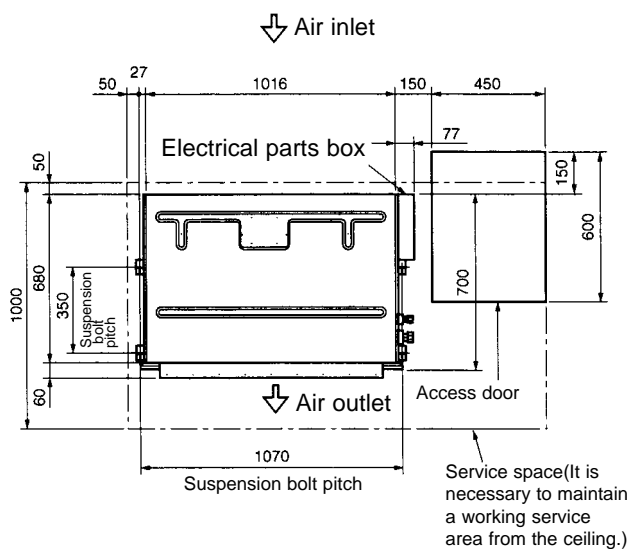
# 4

# OUTLINES AND DIMENSIONS

SEH-1.6AR.TH	SEH-2AR.TH	SEH-2.5AR.TH
SEH-1.6AR <sub>1</sub> .TH		
SE-1.6AR.TH	SE-2AR.TH	SE-2.5AR.TH
SE-1.6AR <sub>1</sub> .TH		
SE-1.6AR.TH-T	SE-2AR.TH-T	SE-2.5AR.TH-T
SE-1.6AR <sub>1</sub> .TH-T		

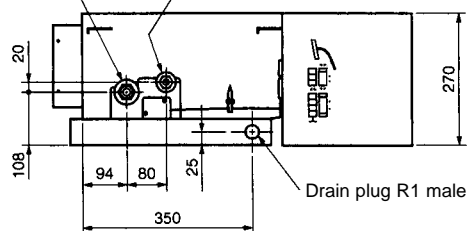
Unit : mm

## INDOOR UNIT



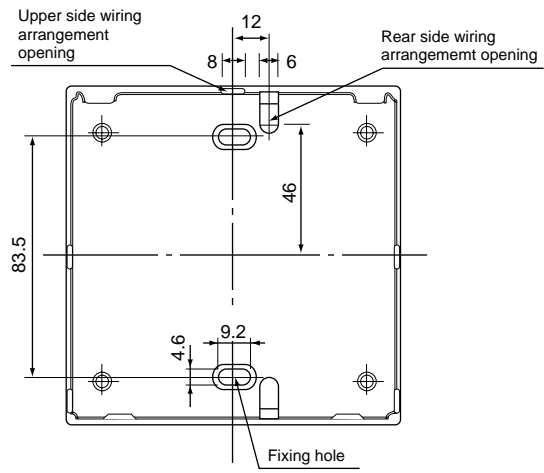
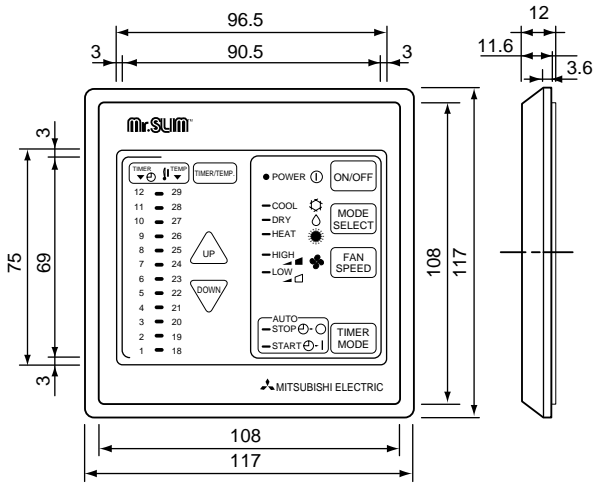
### View A

Refrigerent pipe(gas)	Refrigerent pipe(liquid)
φ12.7 (SEH-1.6AR.TH)	φ6.35 (SEH-1.6, 2AR.TH)
(SEH-1.6AR <sub>1</sub> .TH)	(SEH-1.6AR <sub>1</sub> .TH)
(SE-1.6AR.TH)	(SE-1.6, 2AR.TH)
(SE-1.6AR <sub>1</sub> .TH)	(SE-1.6AR <sub>1</sub> .TH)
(SE-1.6AR.TH-T)	(SE-1.6, 2AR.TH-T)
(SE-1.6AR <sub>1</sub> .TH-T)	(SE-1.6AR <sub>1</sub> .TH-T)
φ15.88 (SEH-2, 2.5AR.TH)	φ9.52 (SEH-2.5AR.TH)
(SE-2, 2.5AR.TH)	(SE-2.5AR.TH)
(SE-2, 2.5AR.TH-T)	(SE-2.5AR.TH-T)



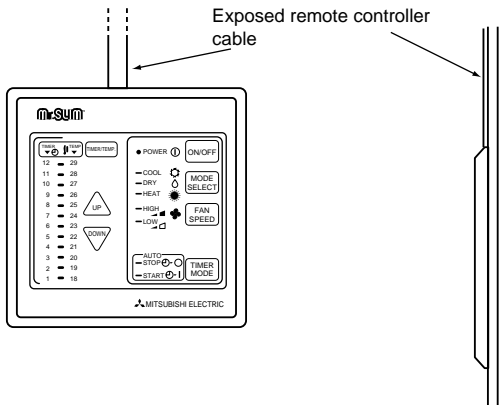
# REMOTE CONTROLLER

Unit : mm



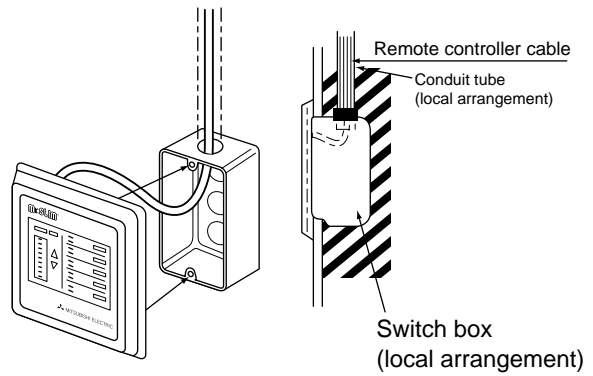
## Remote controller cable installation

### ●For exposed remote controller cable installation



- Cable can be connected only to the top of the remote controller.  
(Right side, left side, and bottom are not possible.)

### ●For recessed remote controller cable installation



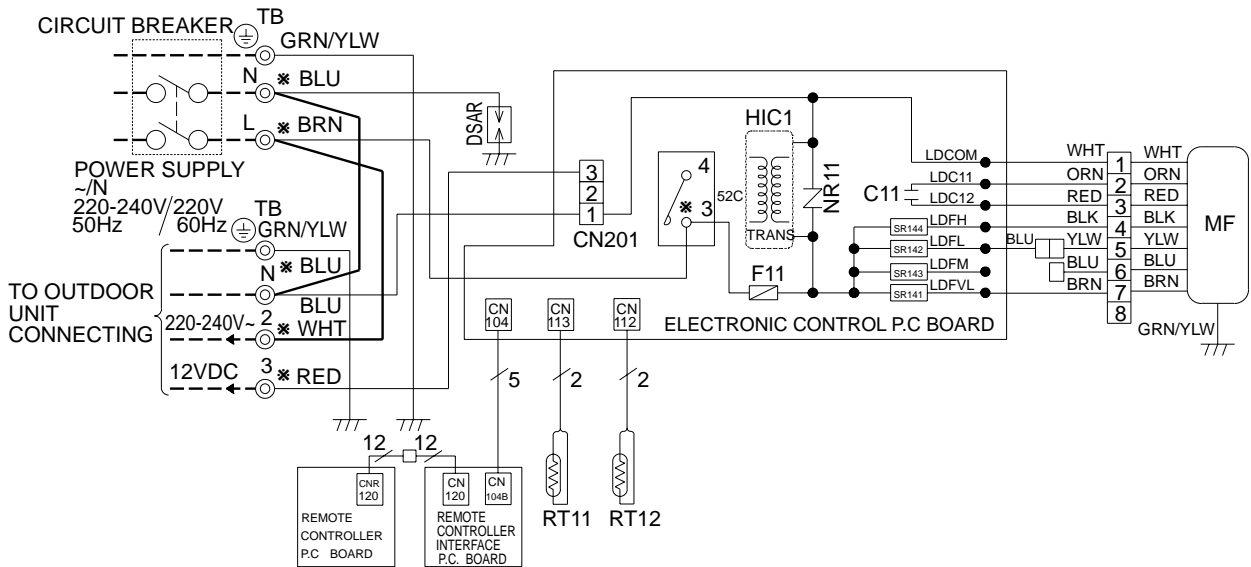
Set screw (match with switch box), local arrangement.

Note : The cable for the remote controller has 10m (39ft) length and 12-core with connectors O.D. 5.8.

# 5

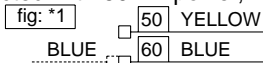
# WIRING DIAGRAM

SEH-1.6AR.TH      SEH-2AR.TH      SEH-2.5AR.TH  
 SEH-1.6AR<sub>1</sub>.TH



SYMBOL	NAME	SYMBOL	NAME	SYMBOL	NAME
C11	FAN MOTOR CAPACITOR	MF	FAN MOTOR	RT12	INDOOR COIL THERMISTOR
F11	FUSE(3.15A)	NR11	VARISTOR	SR141 SR144	SOLID STATE RELAY
HIC1	DC/DC CONVERTER	RT11	ROOM TEMPERATURE THERMISTOR	TB	TERMINAL BLOCK
52C	COMPRESSOR CONTACTOR	DSAR	SURGE ABSORBER		

NOTE :1. Since the indoor fan motor (MF) is connected with 50 Hz power, if 60Hz power is used,change the wiring connection showing fig:\*1



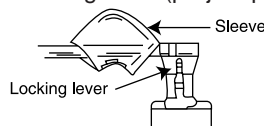
Indoor Fan Motor(MF) for 60Hz

- About the outdoor side electric wiring refer to the outdoor unit electric wiring diagram for servicing.
- Use copper conductors only. (For field wiring)
- Symbols below indicate.

⊙:Terminal block, □□□□ : Connector

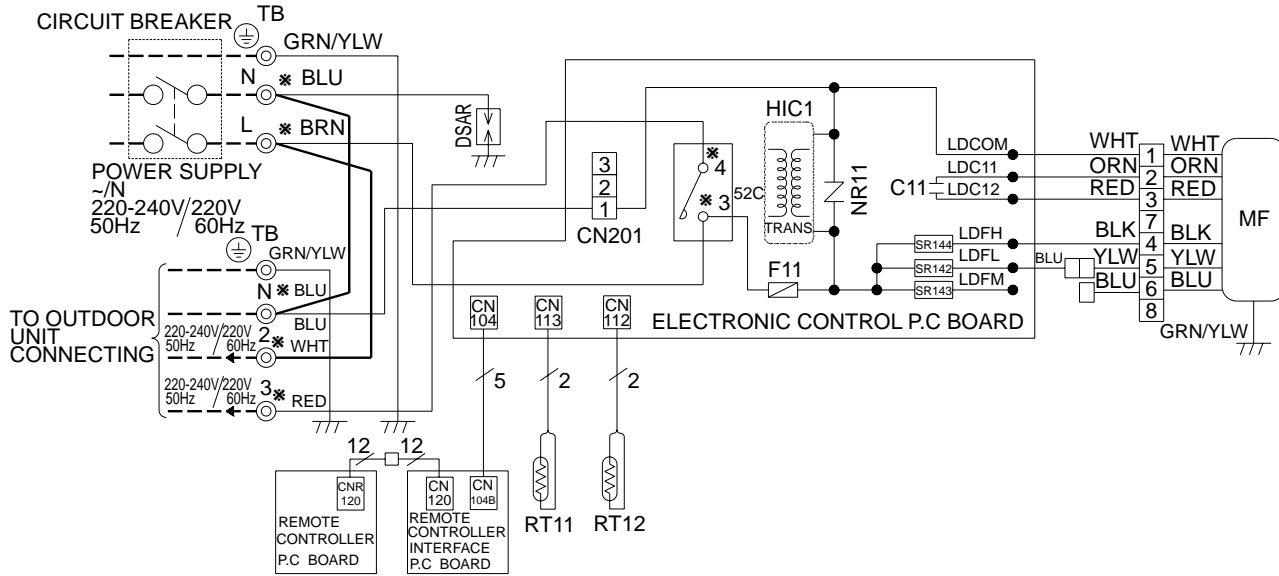
How to remove the terminals shown at "\*" mark.

"\*" shows the terminals with a lock mechanism,so they cannot be removed when you pull the lead wire.  
 Be sure to pull the wire by pushing the locking lever (project part) of the terminal with a finger.



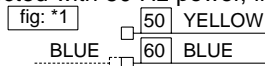
- Slide the sleeve.
- Pull the wire while pushing the locking lever.

SE-1.6AR.TH      SE-2AR.TH      SE-2.5AR.TH  
 SE-1.6AR<sub>1</sub>.TH  
 SE-1.6AR.TH-T    SE-2AR.TH-T    SE-2.5AR.TH-T  
 SE-1.6AR<sub>1</sub>.TH-T



SYMBOL	NAME	SYMBOL	NAME	SYMBOL	NAME
C11	FAN MOTOR CAPACITOR	MF	FAN MOTOR	RT12	INDOOR COIL THERMISTOR
F11	FUSE(3.15A)	NR11	VARISTOR	SR142 SR144	SOLID STATE RELAY
HIC1	DC/DC CONVERTER	RT11	ROOM TEMPERATURE THERMISTOR	TB	TERMINAL BLOCK
52C	COMPRESSOR CONTACTOR	DSAR	SURGE ABSORBER		

NOTE :1. Since the indoor fan motor (MF) is connected with 50 Hz power, if 60Hz power is used,change the wiring connection showing fig:\*1



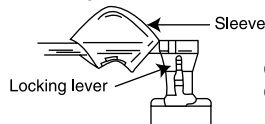
Indoor Fan Moter(MF) for 60Hz

- About the outdoor side electric wiring referto the outdoor unit electric wiring diagram for servicing.
- Use copper conductors only. (For field wiring)
- Symbols below indicate.

○:Terminal block, □□□□ : Connector

How to remove the terminals shown at "\*" mark.

"\*" shows the terminals with a lock mechanism,so they cannot be removed when you pull the lead wire. Be sure to pull the wire by pushing the locking lever (project part) of the terminal with a finger.



- Slide the sleeve.
- Pull the wire while pushing the locking lever.

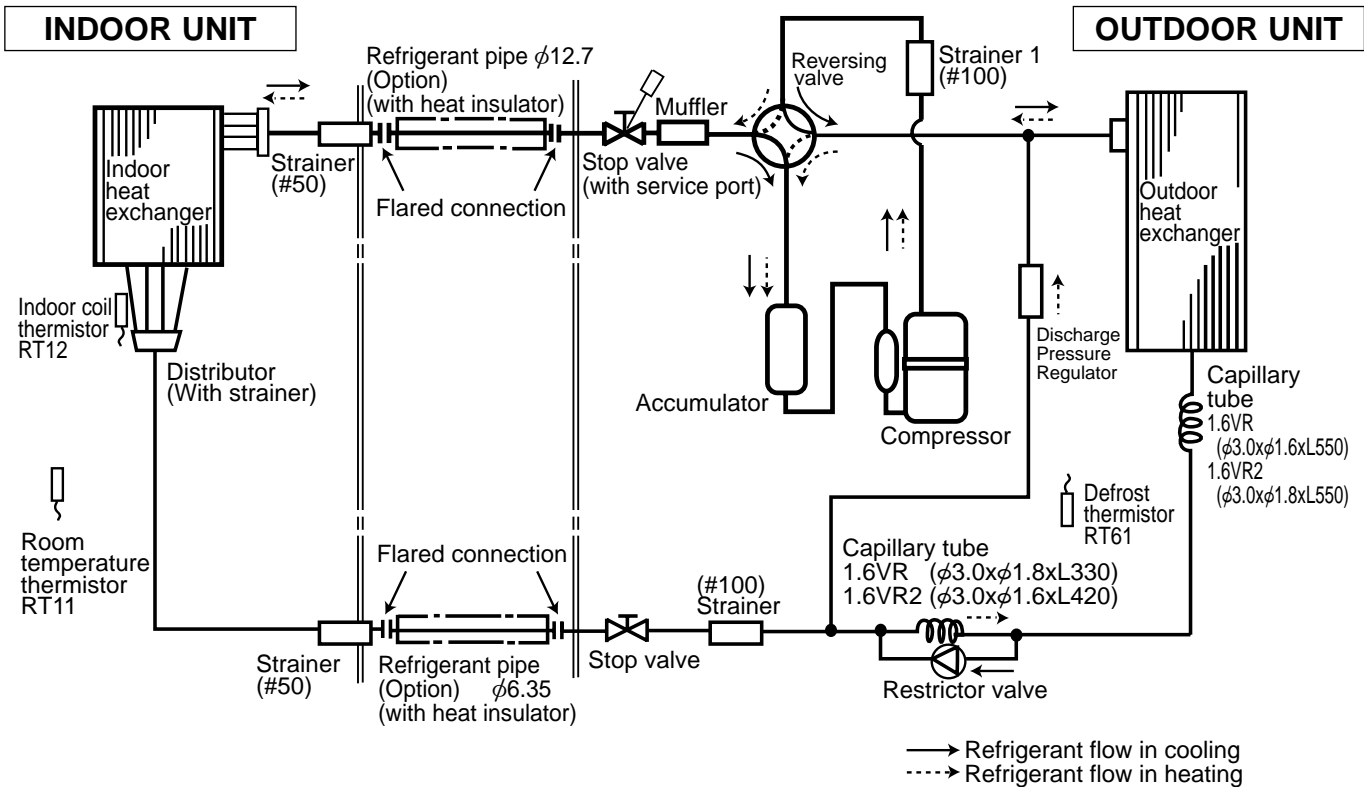


# 6

# REFRIGERANT SYSTEM DIAGRAM

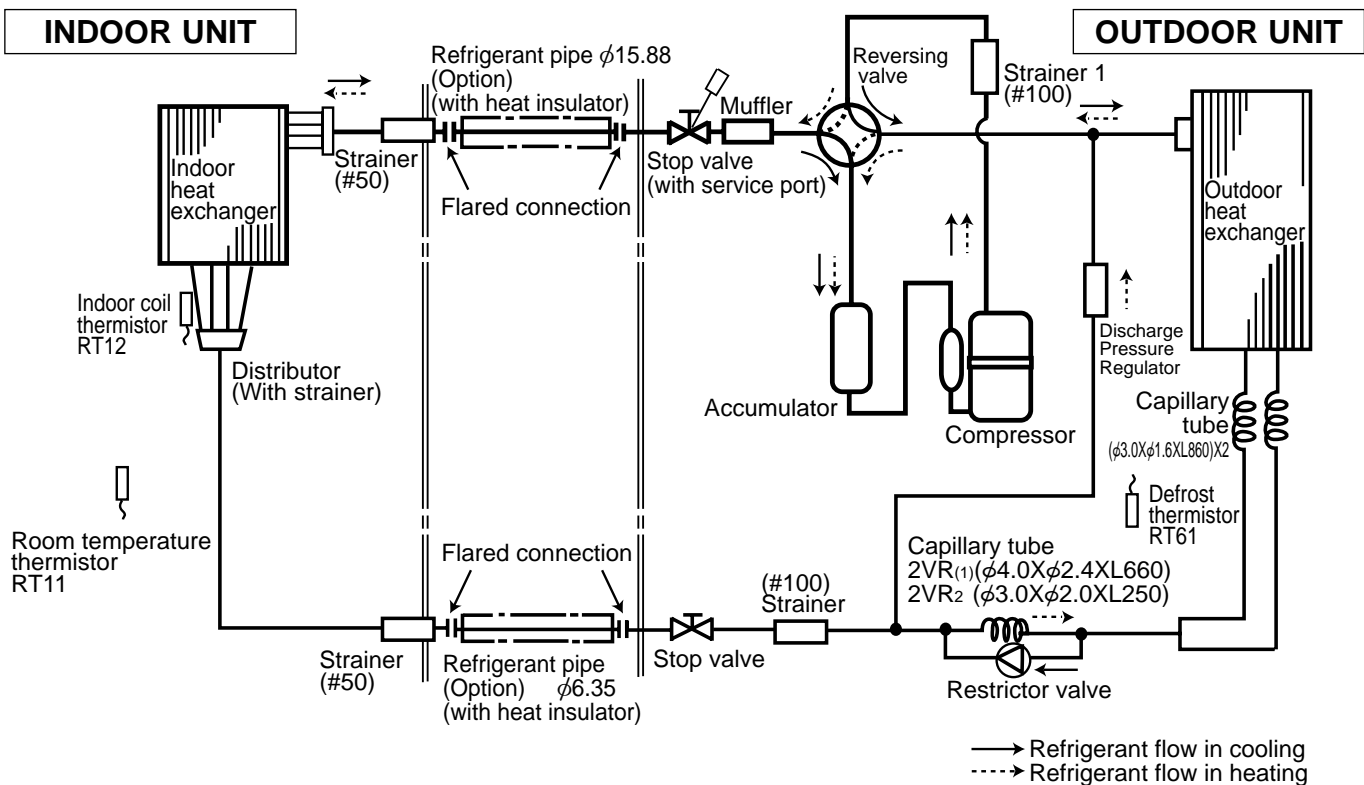
SEH-1.6AR.TH  
SEH-1.6AR<sub>1</sub>.TH

SUH-1.6VR.TH  
SUH-1.6VR<sub>2</sub>.TH



SEH-2AR.TH

SUH-2VR.TH  
SUH-2VR<sub>1</sub>.TH  
SUH-2VR<sub>2</sub>.TH

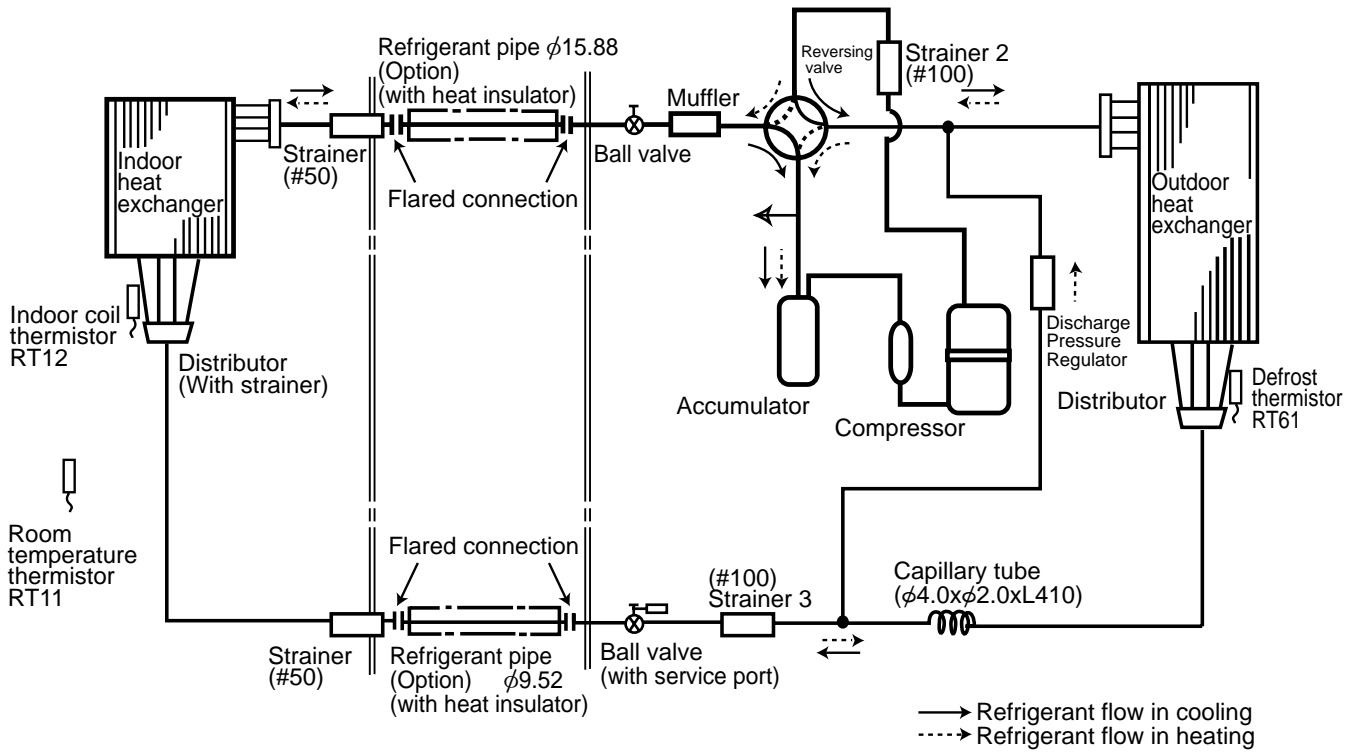


SEH-2.5AR.TH

SUH-2.5VR.TH

**INDOOR UNIT**

**OUTDOOR UNIT**

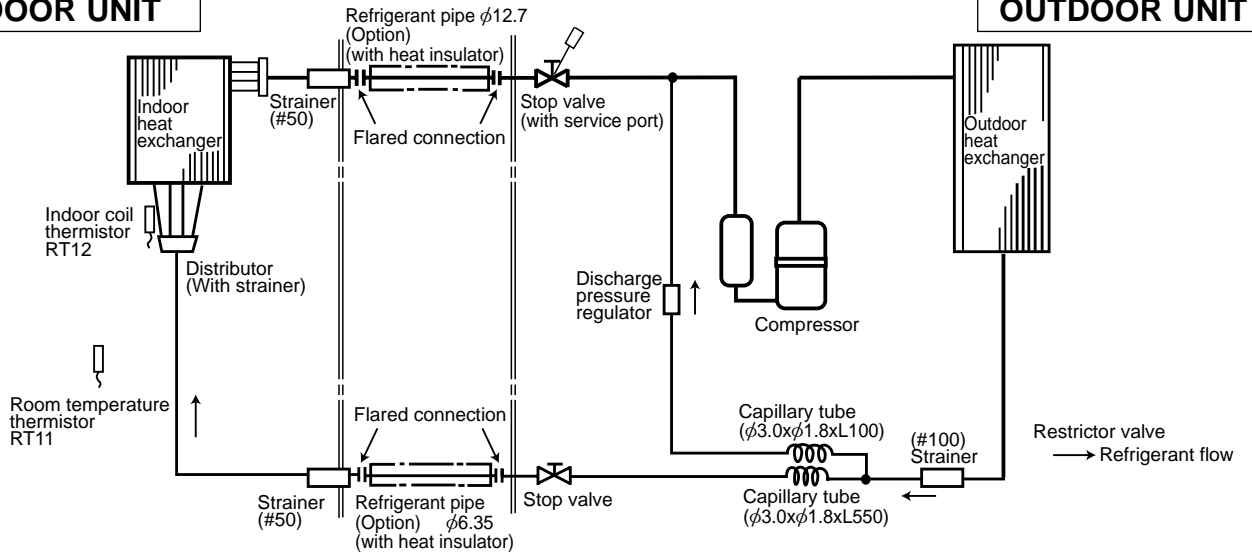


SE-1.6AR.TH  
SE-1.6AR1.TH

SU-1.6NR.TH

**INDOOR UNIT**

**OUTDOOR UNIT**

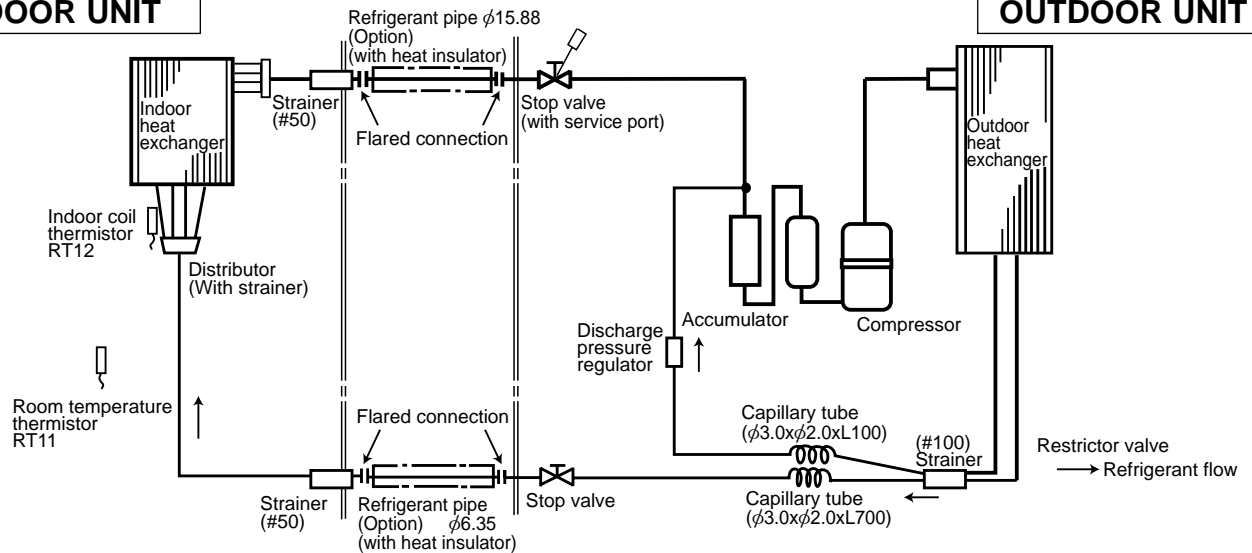


SE-2AR.TH

SU-2NR.TH

**INDOOR UNIT**

**OUTDOOR UNIT**

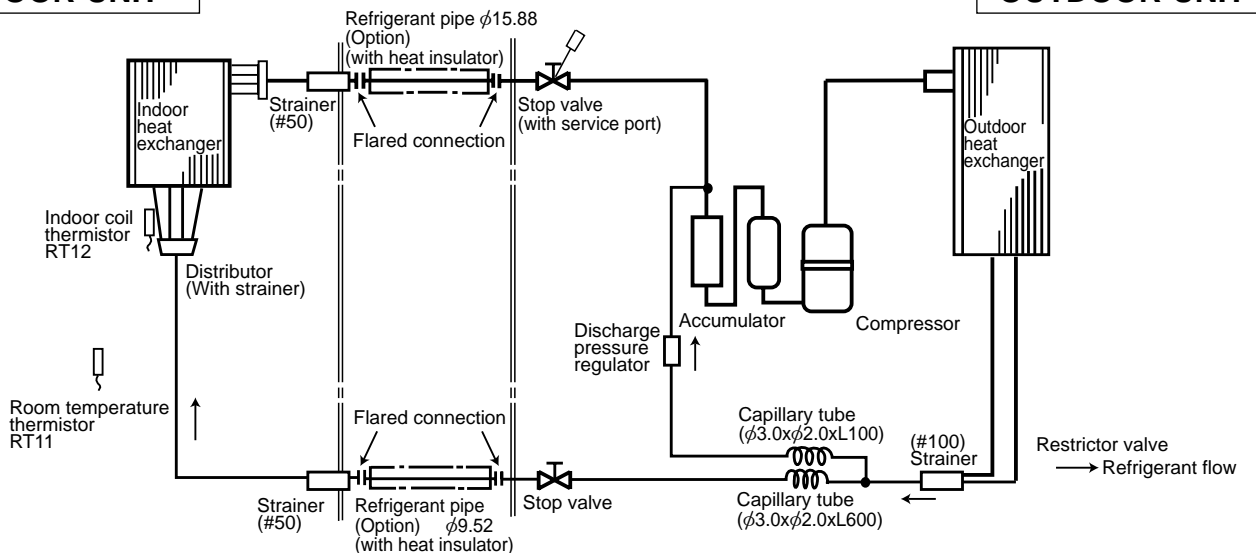


SE-2.5AR.TH

SU-2.5NR.TH

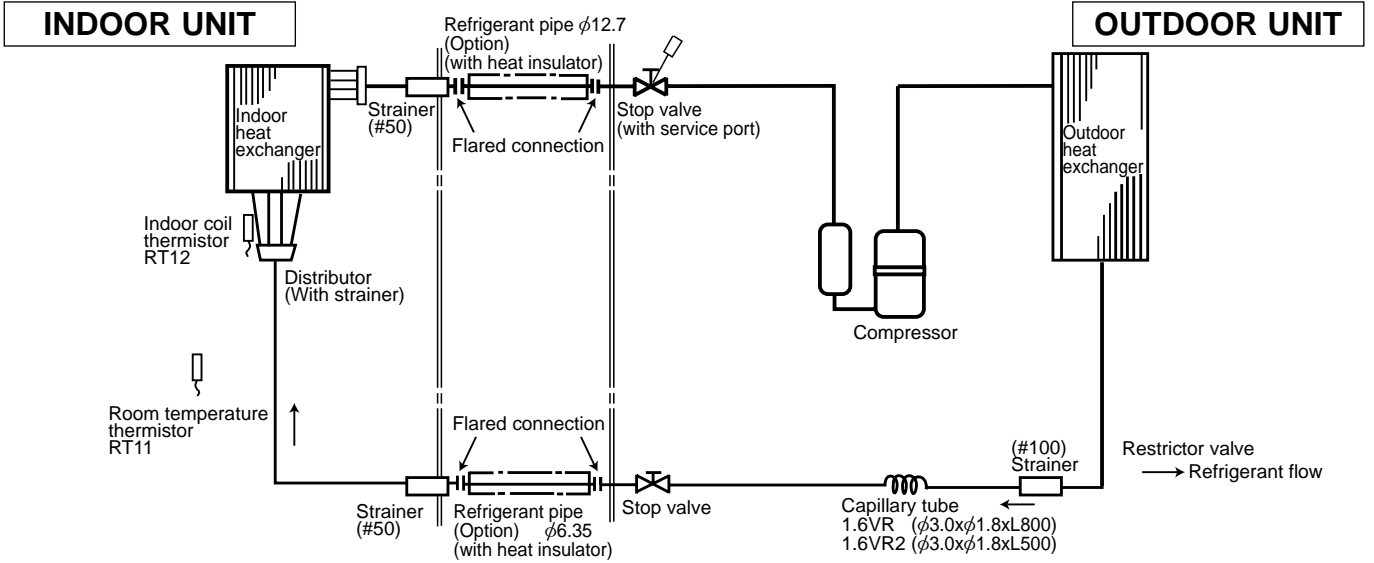
**INDOOR UNIT**

**OUTDOOR UNIT**



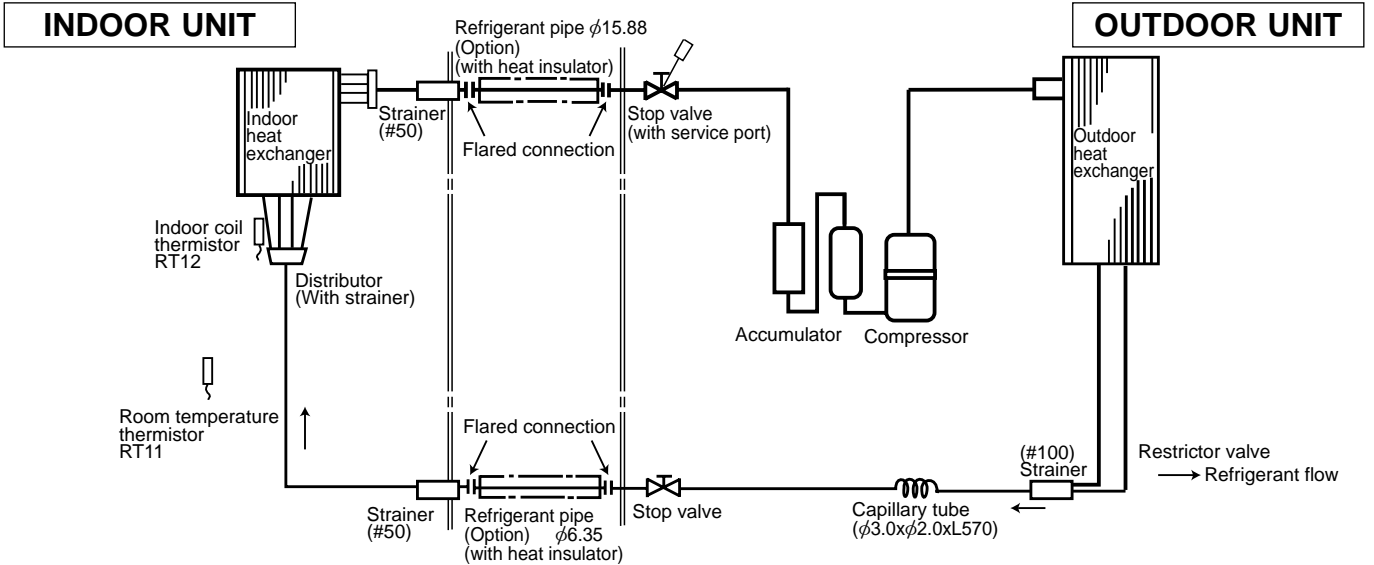
SE-1.6AR.TH SE-1.6AR<sub>1</sub>.TH  
SE-1.6AR.TH-T SE-1.6AR<sub>1</sub>.TH-T

SU-1.6VR.TH SU-1.6VR<sub>2</sub>.TH  
SU-1.6VR.TH-T SU-1.6VR<sub>2</sub>.TH-T



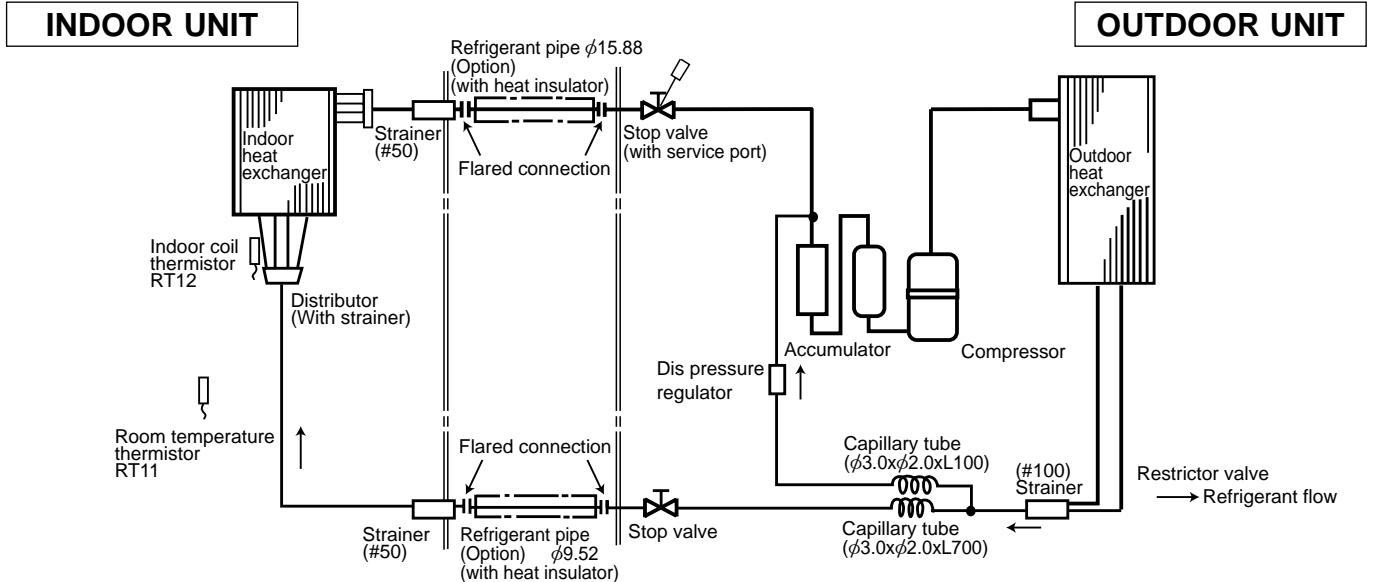
SE-2AR.TH  
SE-2AR.TH-T

SU-2VR.TH SU-2VR<sub>1</sub>.TH  
SU-2VR.TH-T SU-2VR<sub>1</sub>.TH-T



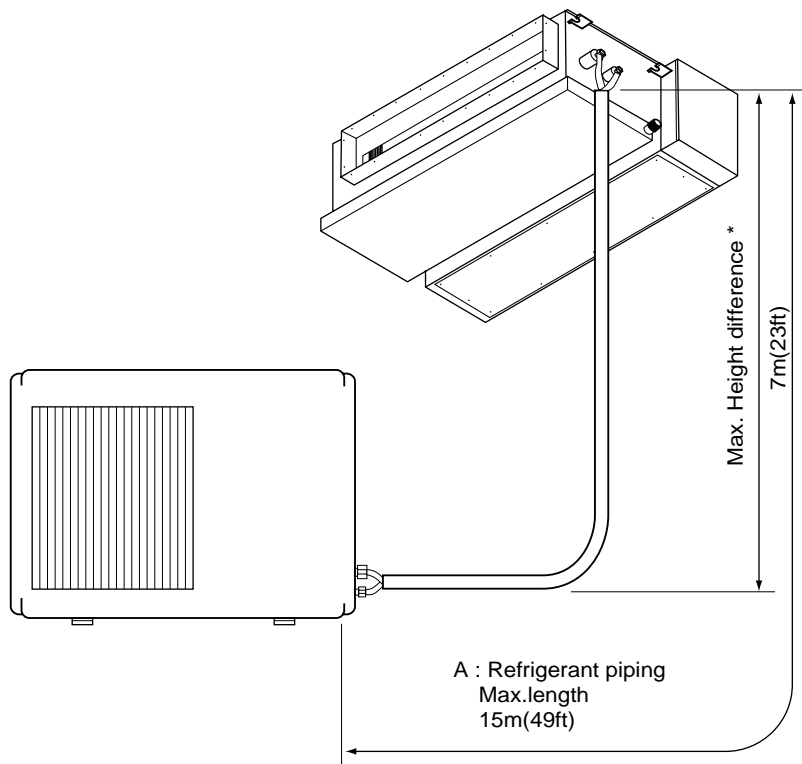
SE-2.5AR.TH  
SE-2.5AR.TH-T

SU-2.5VR.TH  
SU-2.5VR.TH-T



## MAX. REFRIGERANT PIPING LENGTH & MAX. HEIGHT DIFFERENCE

Service Ref.		Length : m (ft)	Piping size O.D. : mm (in.)	
Indoor unit	Outdoor unit		Gas	Liquid
SEH-1.6AR.TH SEH-1.6AR <sub>1</sub> .TH	SUH-1.6VR.TH SUH-1.6VR2.TH	15(49)	φ12.7(1/2)	φ6.35(1/4)
SE-1.6AR.TH SE-1.6AR <sub>1</sub> .TH	SU-1.6NR.TH SU-1.6VR.TH SU-1.6VR2.TH			
SE-1.6AR.TH-T SE-1.6AR <sub>1</sub> .TH-T	SU-1.6VR.TH-T SU-1.6VR2.TH-T			
SEH-2AR.TH	SUH-2VR.TH SUH-2VR <sub>1</sub> .TH SUH-2VR <sub>2</sub> .TH		φ15.88(5/8)	
SE-2AR.TH	SU-2NR.TH SU-2VR.TH SU-2VR <sub>1</sub> .TH			
SE-2AR.TH-T	SU-2VR.TH-T SU-2VR <sub>1</sub> .TH-T			
SEH-2.5AR.TH	SUH-2.5VR.TH			
SE-2.5AR.TH	SU-2.5NR.TH SU-2.5VR.TH			
SE-2.5AR.TH-T	SU-2.5VR.TH-T			



## ADDITIONAL REFRIGERANT CHARGE (R-22 : g)

If pipe length exceeds 7m, additional refrigerant (Freon 22) charge is required

(g)

Service Ref.		Outdoor unit : precharged (up to 7m)	Refrigerant piping length (one way)								
Indoor unit	Outdoor unit		7m	8m	9m	10m	11m	12m	13m	14m	15m
SEH-1.6AR.TH	SUH-1.6VR.TH	1650	0	50	100	150	200	250	300	350	400
SEH-1.6AR <sub>1</sub> .TH	SUH-1.6VR2.TH	1400									
SEH-2AR.TH	SUH-2VR.TH SUH-2VR <sub>1</sub> .TH SUH-2VR <sub>2</sub> .TH	1800									
SEH-2.5AR.TH	SUH-2.5VR.TH	2400	65	130	195	260	325	390	455	520	
SE-1.6AR.TH SE-1.6AR <sub>1</sub> .TH	SU-1.6NR.TH SU-1.6VR.TH SU-1.6VR2.TH	900	0	15	30	45	60	75	90	105	120
SE-1.6AR.TH-T SE-1.6AR <sub>1</sub> .TH-T	SU-1.6VR.TH-T SU-1.6VR2.TH-T										
SE-2AR.TH	SU-2NR.TH	1650									
SE-2AR.TH	SU-2VR.TH SU-2VR <sub>1</sub> .TH	1600									
SE-2AR.TH-T	SU-2VR.TH-T SU-2VR <sub>1</sub> .TH-T										
SE-2.5AR.TH	SU-2.5VR.TH SU-2.5NR.TH	2150									
SE-2.5AR.TH-T	SU-2.5VR.TH-T										

Calculation : (SEH-2.5AR)×g=65g/m×(Refrigerant piping length minus 7m)

(SEH-1.6/2AR)×g=50g/m×(Refrigerant piping length minus 7m)

(SE-)×g=15g/m×(Refrigerant piping length minus 7m)

## EVACUATION PROCEDURES

Connect the refrigerant pipes (both the liquid and gas pipes) between the indoor and the outdoor units.

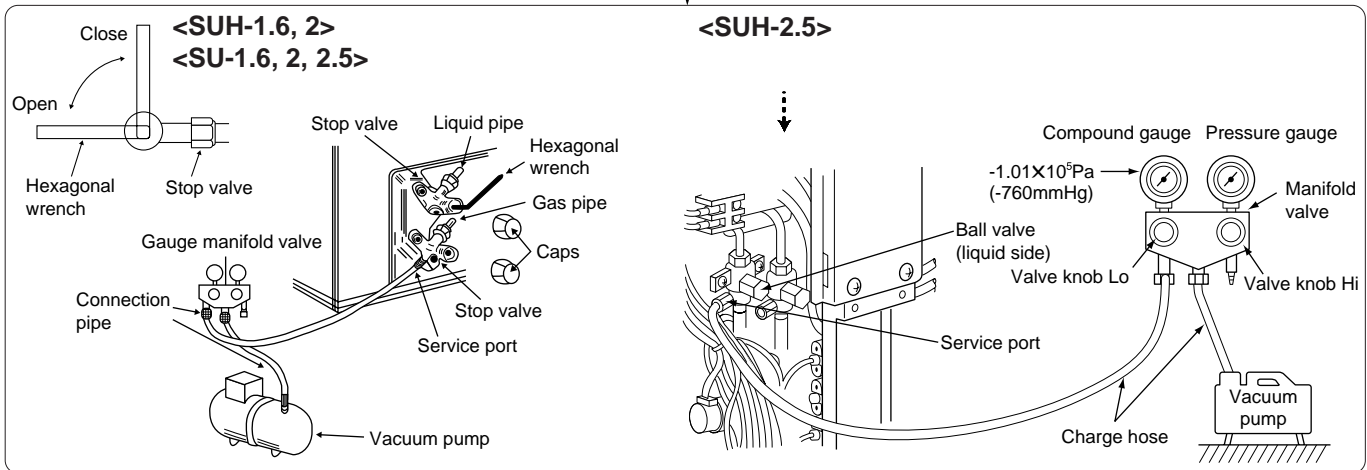
Remove the service port cap of the stop/ball valve on the gas pipe side of the outdoor unit gas pipe.  
(The stop/ball valve will not work in its initial state fresh out of the factory (totally closed with cap on).)

Connect the gauge manifold valve and the vacuum pump to the service port of the stop/ball valve of the outdoor unit.  
: For SUH-1.6/2VR.TH connect to gas pipe side.  
For SUH-2.5VR.TH connect to liquid pipe side.

Run the vacuum pump for more than 15 minutes and at this time confirm that the pressure gauge indicates -0.1 Mpa (-76 cmHg).

Check the vacuum with the gauge manifold valve, then close the gauge manifold valve, and stop the vacuum pump.

Leave as it is for one or two minutes. Make sure the pointer of the gauge manifold valve remains in the same position.



Remove the gauge manifold valve quickly from the service port of the stop/ball valve.

After refrigerant pipes are connected and evacuated, fully open all stop/ball valves on gas and liquid pipe sides.  
Operating without fully opening lowers the performance and causes trouble.

Pipe length :  
7m maximum  
No gas charge is needed.

Pipe length  
exceeding 7m  
Charge the prescribed  
amount of gas.

Tighten the cap to the service port to obtain the initial status.

Tighten the cap to the stop/ball valve.

Leak test

The standard data contained in these specifications apply only to the operation of the air conditioner under normal condition. Operating conditions vary according to the areas where these units are installed. The following information has been provided to clarify the operating characteristics of the air conditioner under the conditions indicated by the performance curve.

### (1) GUARANTEED VOLTAGE

Rated voltage :  $\pm 10\%$  SU-NR(198~242V 60Hz) / SU(H)-VR(198~264V 50Hz)

### (2) AIR FLOW

Air flow should be set at MAX.

### (3) MAIN READINGS

#### COOLING

- (1) Indoor intake air wet-bulb temperature : W.B.°C
- (2) Indoor outlet air wet-bulb temperature : W.B.°C
- (3) Outdoor intake air dry-bulb temperature : D.B.°C
- (4) Total input : W

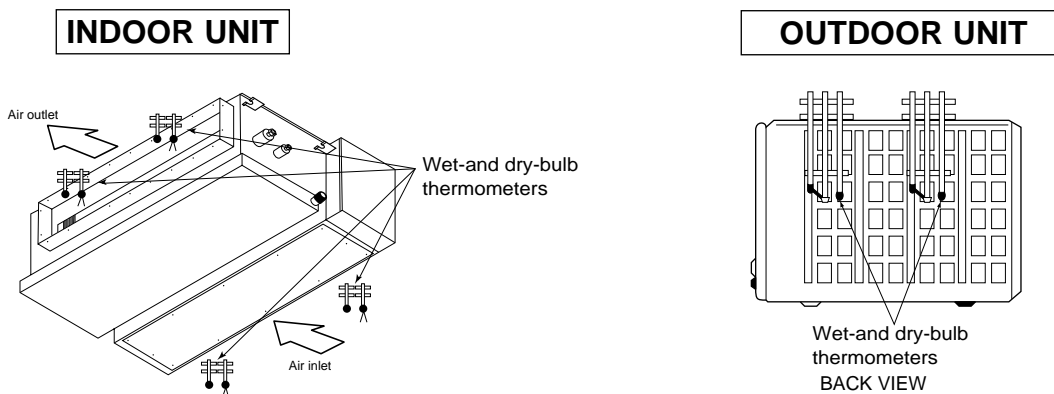
#### HEATING

- (1) Indoor intake air dry-bulb temperature : D.B.°C
- (2) Indoor outlet air dry-bulb temperature : D.B.°C
- (3) Outdoor intake air wet-bulb temperature : W.B.°C
- (4) Total input : W

Indoor air wet/dry-bulb temperature difference on the side of the chart on page shows the difference between the indoor intake air wet/dry-bulb temperature and the indoor outlet air wet/dry-bulb temperature for your reference at service.

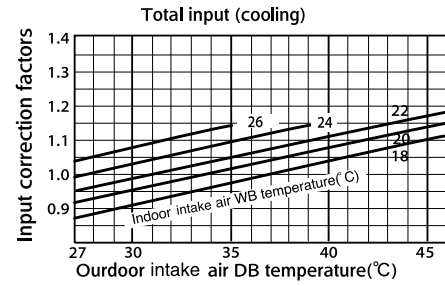
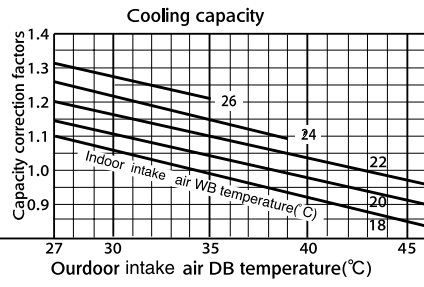
### How to measure the indoor air wet-bulb/dry-bulb temperature difference

1. Attach at least 2 sets of wet-and-dry-bulb thermometers to the indoor air inlet as shown in the figure, and at least 2 sets of wet-and-dry-bulb thermometers to the indoor air outlet. The thermometers must be attached to the position where air speed is high.
2. Attach at least 2 sets of wet-and-dry-bulb thermometers to the outdoor air inlet.  
Cover the thermometers to prevent direct rays of the sun.
3. Check that the air filter is cleaned.
4. Open windows and doors of the room.
5. Press the TEST RUN switch once to start the COOL(HEAT) MODE.
6. When system stabilizes after more than 15 minutes, measure temperature and take an average temperature.
7. 10 minutes later, measure temperature again and check that the temperature does not change.

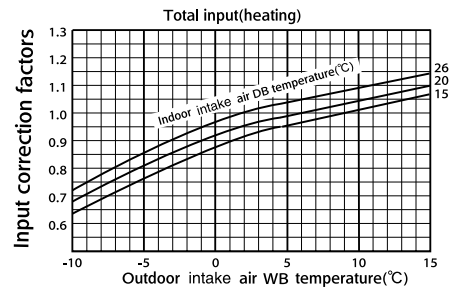
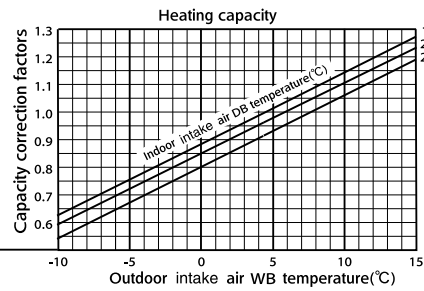


## SUH-VR (50Hz)

Indoor air WB temperature difference (degree)	8.7	9.3	9.4	10.0
	8.0	8.5	8.6	9.1
	7.3	7.7	7.8	8.3
	6.6	7.0	7.1	7.5
	5.9	6.3	6.3	6.7
	5.3	5.6	5.6	6.0
	SEH-1.6AR.TH	SEH-1.6AR.TH	SEH-2AR.TH	SEH-2.5AR.TH

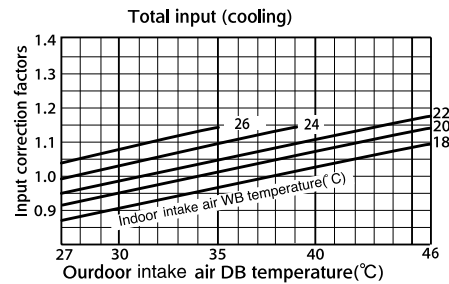
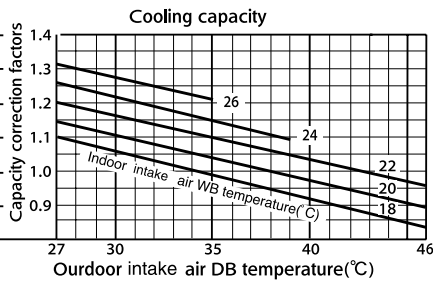


Indoor air DB temperature difference (degree)	20.6	23.1	22.3	22.9
	19.0	21.4	20.6	21.1
	17.5	18.6	18.9	19.4
	15.9	17.8	17.2	17.6
	14.3	16.0	15.4	15.8
	12.7	14.2	13.7	14.1
	11.1	12.5	12.0	12.3
	9.5	10.7	10.3	10.6
	SEH-1.6AR.TH	SEH-1.6AR.TH	SEH-2AR.TH	SEH-2.5AR.TH



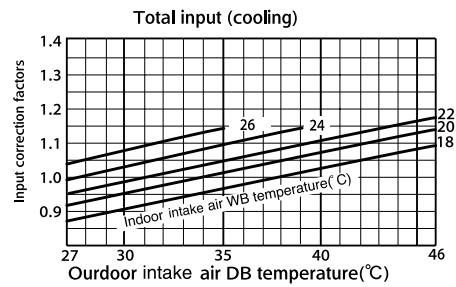
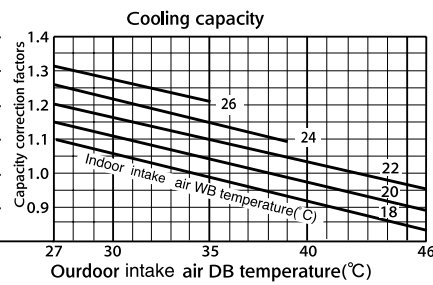
## SU-NR (60Hz)

Indoor air WB temperature difference (degree)	8.5	10.4	10.5
	7.8	9.5	9.6
	7.1	8.7	8.7
	6.4	7.8	7.9
	5.8	7.0	7.1
	5.1	6.2	6.3
	SE-1.6AR.TH	SE-2AR.TH	SE-2.5AR.TH



## SU-VR (50Hz)

Indoor air WB temperature difference (degree)	8.0	9.3	8.6	8.6
	7.3	8.5	7.9	7.9
	6.7	7.7	7.2	7.4
	6.0	7.0	6.5	6.5
	5.4	6.3	5.9	5.9
	4.8	5.6	5.2	5.2
	SE-1.6AR.TH SE-1.6AR.TH-T	SE-1.6AR.TH SE-1.6AR.TH-T	SE-2AR.TH SE-2AR.TH-T	SE-2.5AR.TH SE-2.5AR.TH-T





## (4) OUTDOOR LOW PRESSURE AND OUTDOOR UNIT CURRENT

### COOL operation

① Both indoor and outdoor units are under the same temperature/humidity condition.

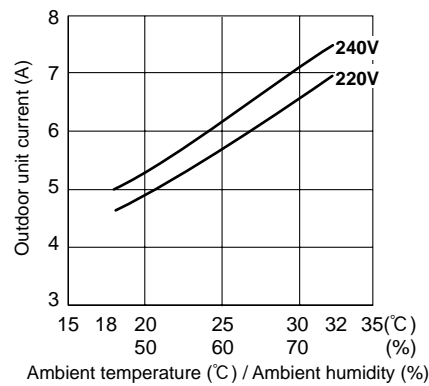
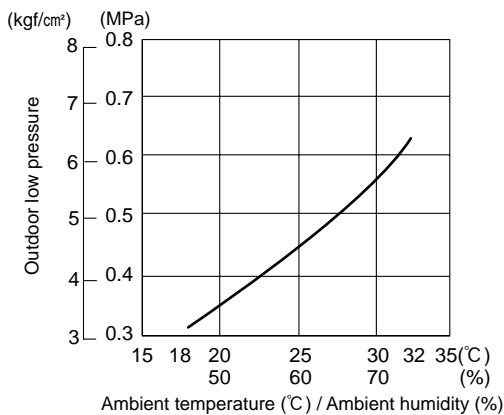
Dry Bulb temperature (°C)	Relative humidity (%)
20	50
25	60
30	70

② Air flow should be set at MAX.

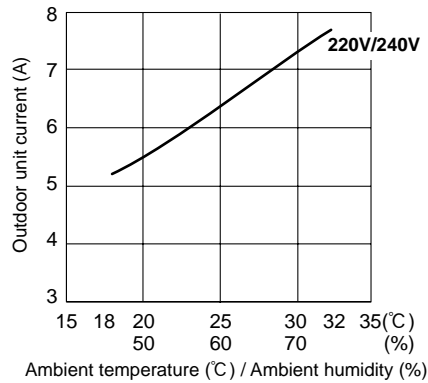
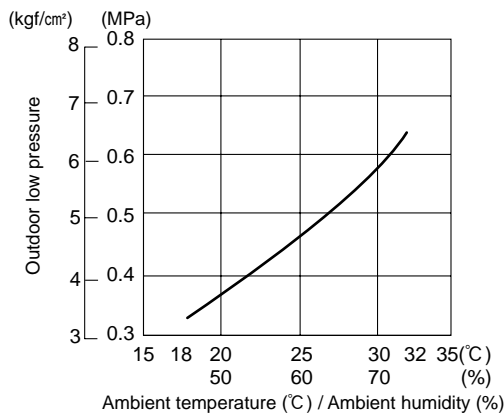
③ The unit of pressure has been changed to MPa based on the international system of units(SI unit system).  
The converted score against the traditional unit system can be gotten according to the formula below.

$$1(\text{MPa}) = 10.2(\text{kgf/cm}^2)$$

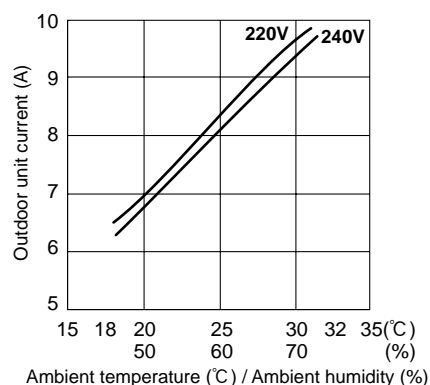
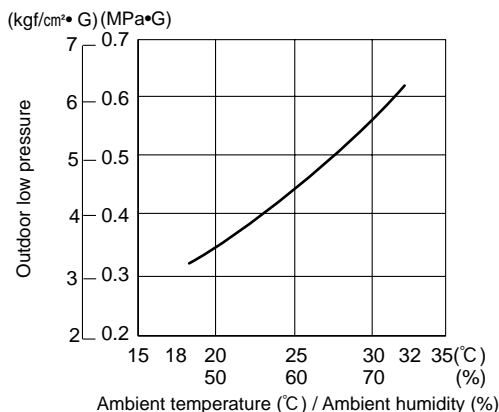
### SEH-1.6AR.TH / SUH-1.6VR.TH



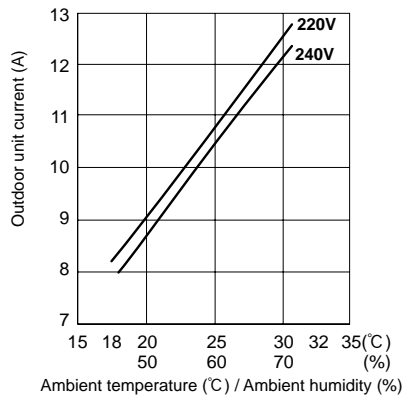
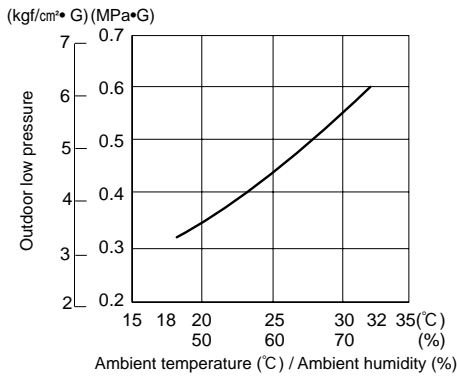
### SEH-1.6AR1.TH / SUH-1.6VR2.TH



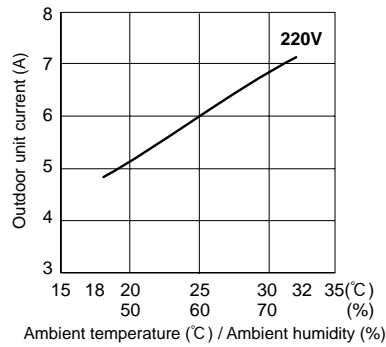
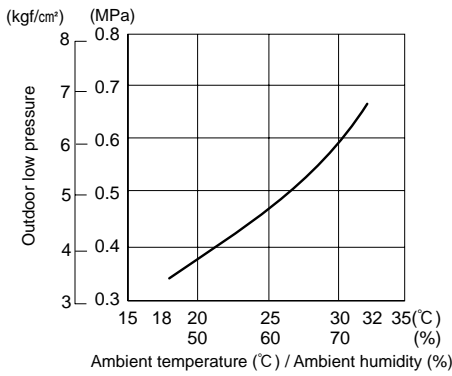
### SEH-2AR.TH / SUH-2VR.TH, SUH-2VR1.TH, SUH-2VR2.TH



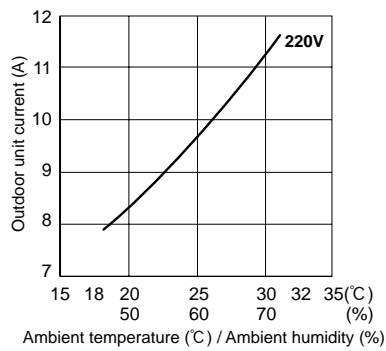
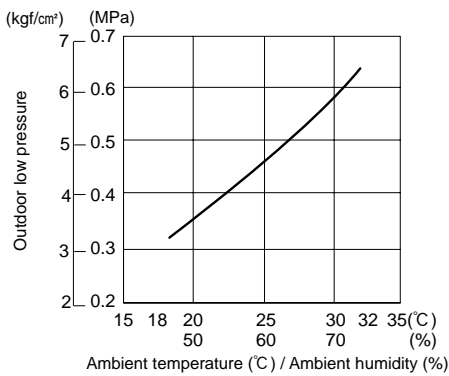
## SEH-2.5AR.TH / SUH-2.5VR.TH



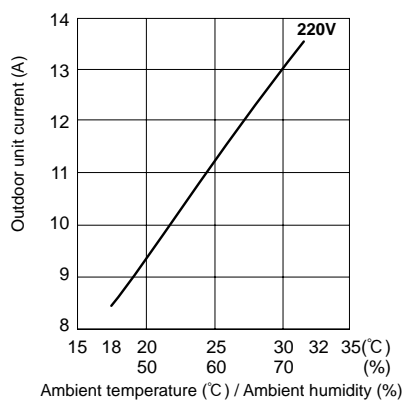
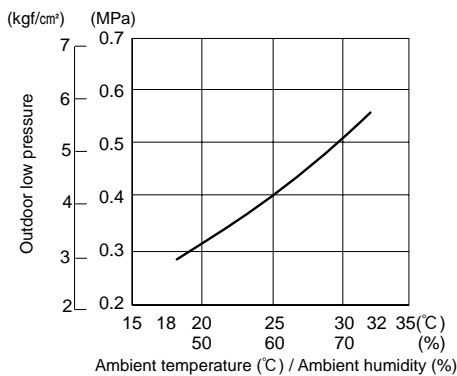
## SE-1.6AR.TH, SE-1.6AR<sub>1</sub>.TH / SU-1.6NR.TH



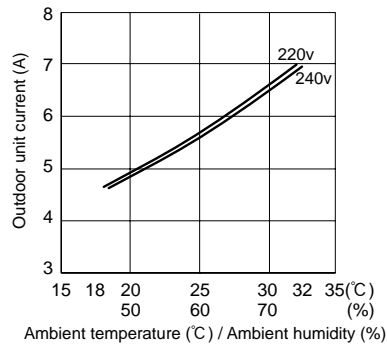
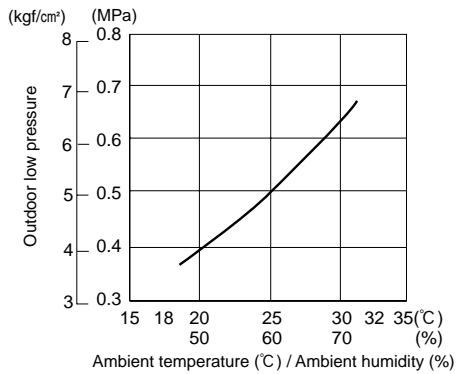
## SE-2AR.TH / SU-2NR.TH



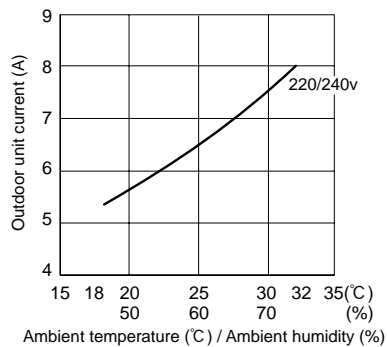
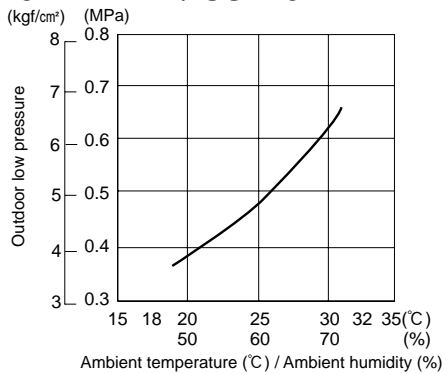
## SE-2.5AR.TH / SU-2.5NR.TH



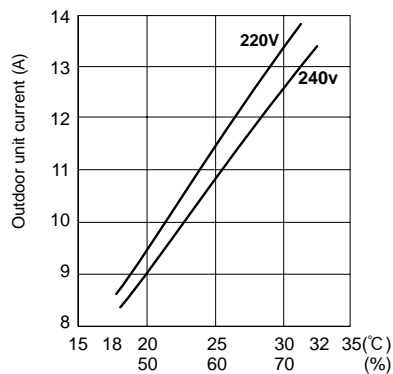
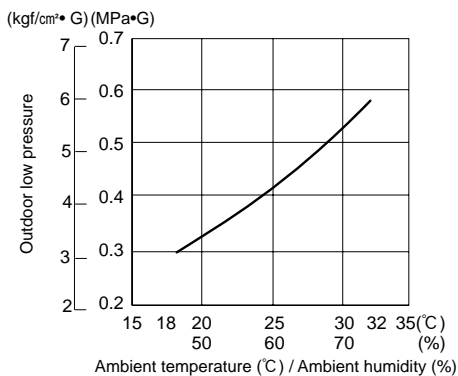
**SE-1.6AR.TH / SU-1.6VR.TH**  
**SE-1.6AR.TH-T / SU-1.6VR.TH-T**



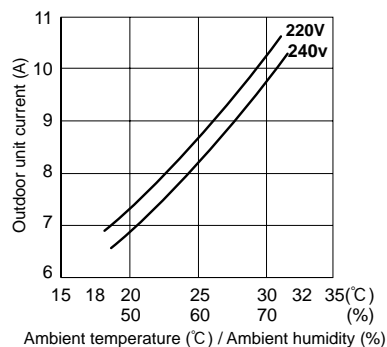
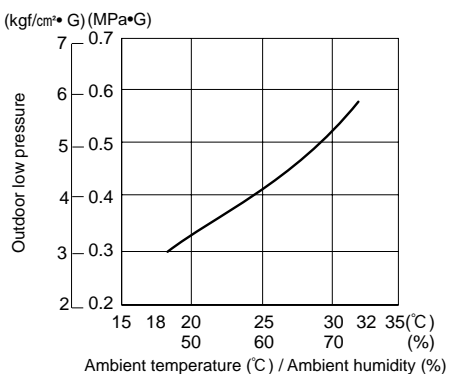
**SE-1.6AR<sub>1</sub>.TH / SU-1.6VR<sub>2</sub>.TH**  
**SE-1.6AR<sub>1</sub>.TH-T / SU-1.6VR<sub>2</sub>.TH-T**



**SE-2AR.TH / SU-2VR.TH, SU-2VR<sub>1</sub>.TH**  
**SE-2AR.TH-T / SU-2VR.TH-T, SU-2VR<sub>1</sub>.TH-T**



**SE-2.5AR.TH / SU-2.5VR.TH**  
**SE-2.5AR.TH-T / SU-2.5VR.TH-T**

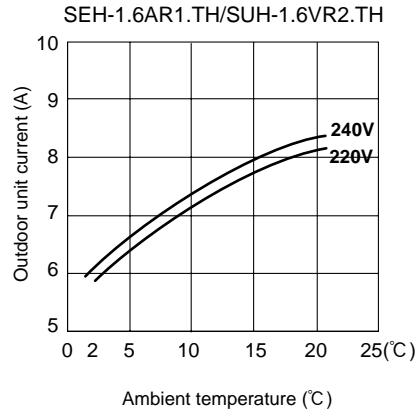
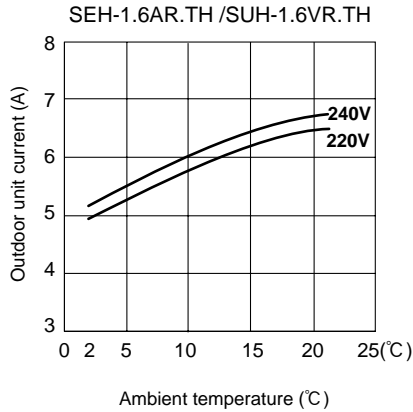


SEH-1.6AR.TH / SUH-1.6VR.TH  
SEH-1.6AR<sub>1</sub>.TH / SUH-1.6VR<sub>2</sub>.TH

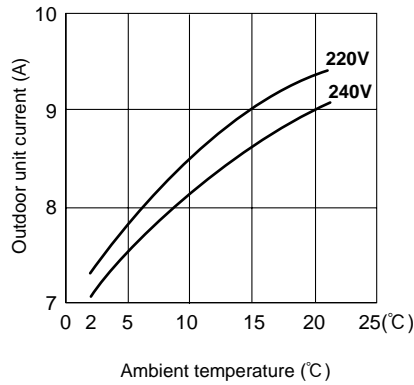
**HEAT operation**

Condition Indoor : Dry bulb temperature 20.0°C  
Wet bulb temperature 14.5°C

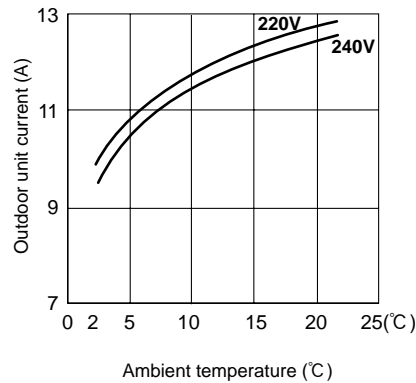
Outdoor : Dry bulb temperature 7,15,20°C  
Wet bulb temperature 6,12,14.5°C



SEH-2AR.TH / SUH-2VR.TH, SUH-2VR<sub>1</sub>.TH, SUH-2VR<sub>2</sub>.TH

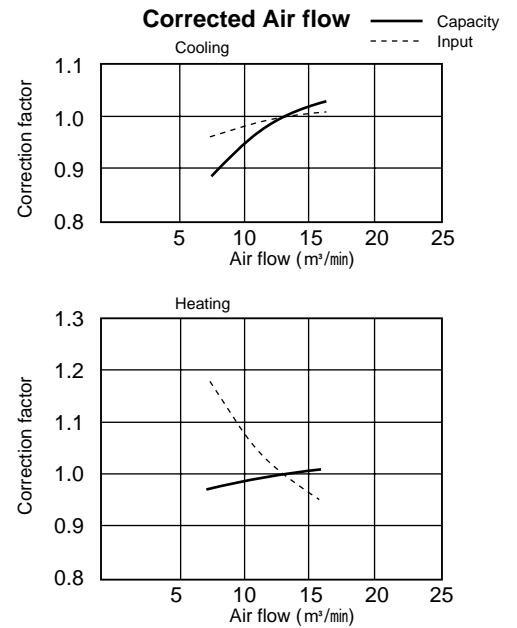
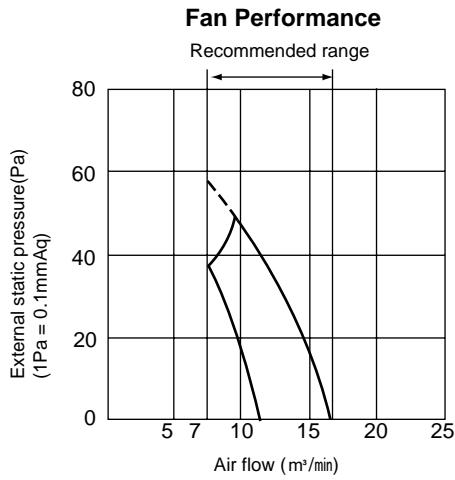


SEH-2.5AR.TH / SUH-2.5VR.TH

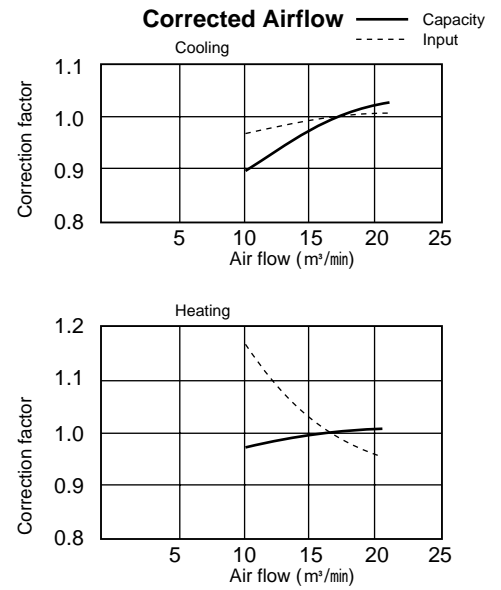
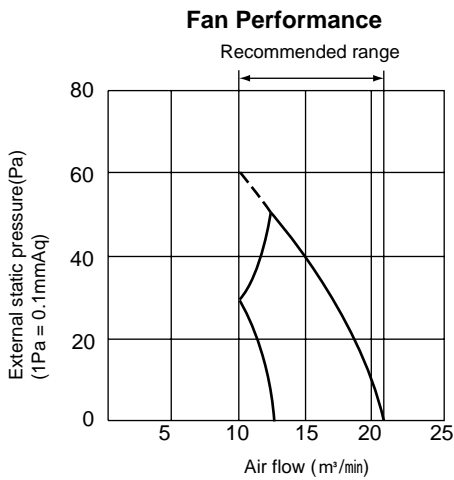


## (5) INDOOR FAN PERFORMANCE AND CORRECTED AIR FLOW

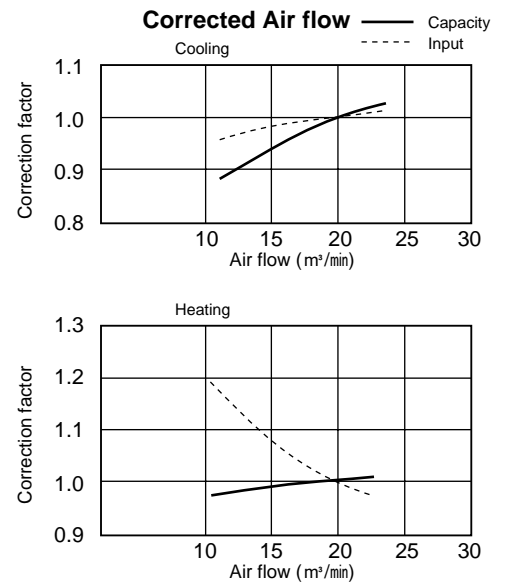
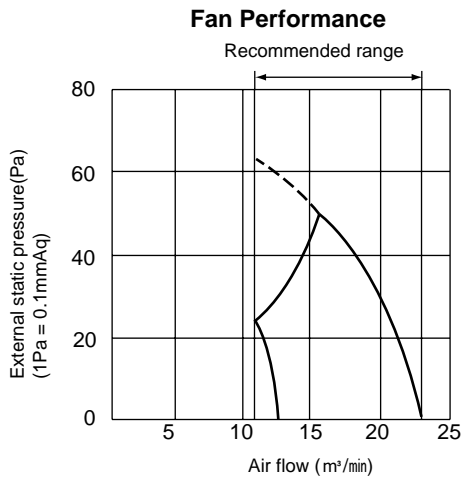
### SEH-1.6AR.TH (50Hz) SEH-1.6AR<sub>1</sub>.TH



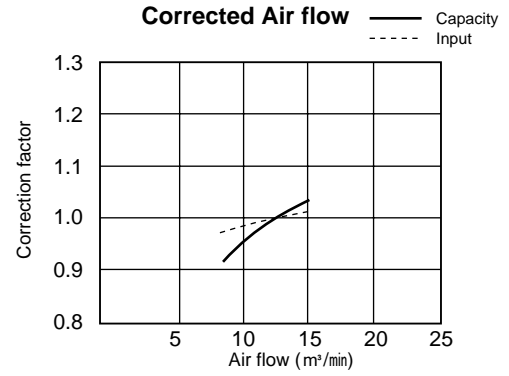
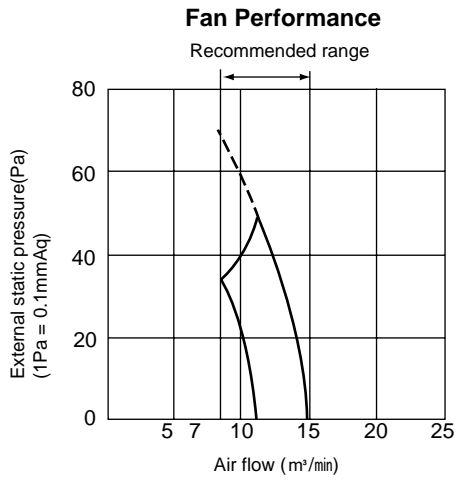
### SEH-2AR.TH (50Hz)



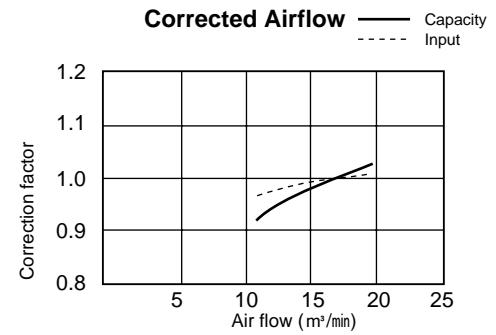
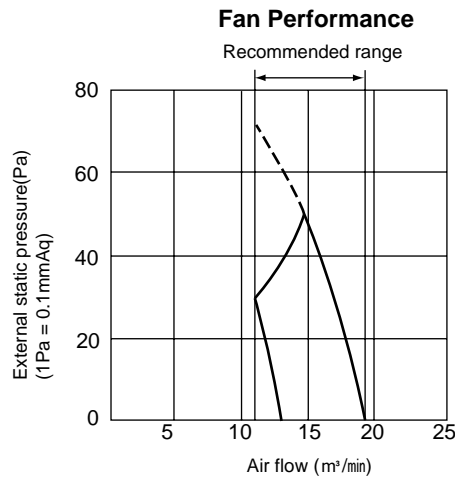
### SEH-2.5AR.TH (50Hz)



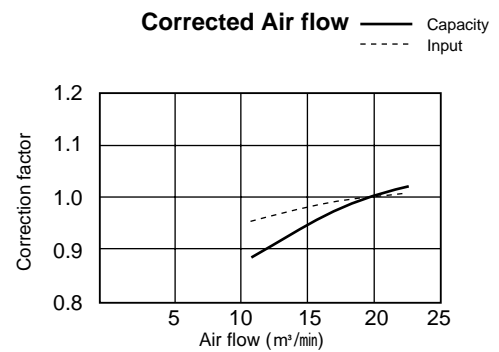
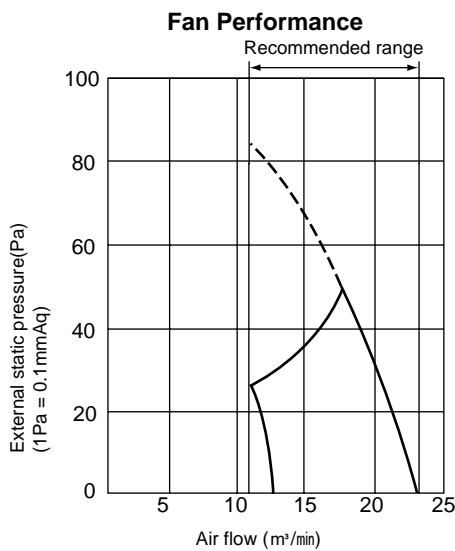
### SE-1.6AR.TH (60Hz)



### SE-2AR.TH (60Hz)

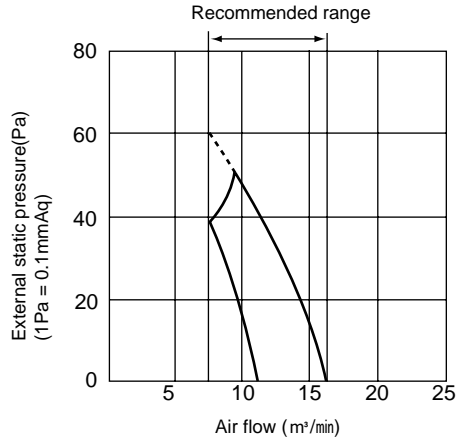


### SE-2.5AR.TH (60Hz)

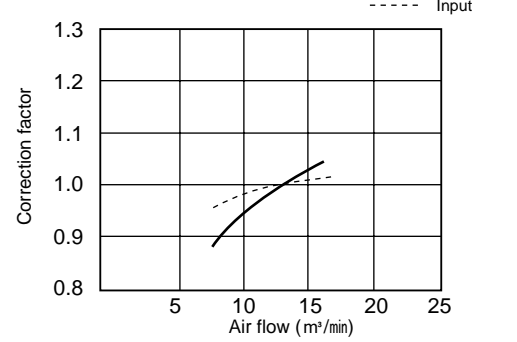


**SE-1.6AR.TH (50Hz)**  
**SE-1.6AR<sub>1</sub>.TH**  
**SE-1.6AR.TH-T**  
**SE-1.6AR<sub>1</sub>.TH-T**

**Fan Performance**

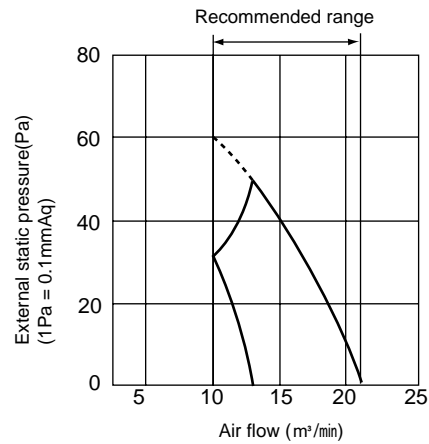


**Corrected Air flow**

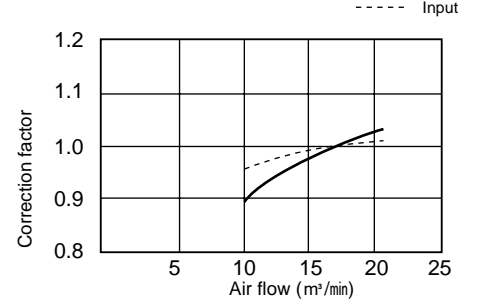


**SE-2AR.TH (50Hz)**  
**SE-2AR.TH-T**

**Fan Performance**

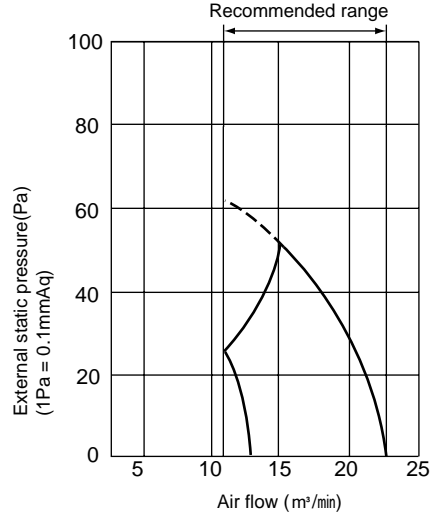


**Corrected Air flow**

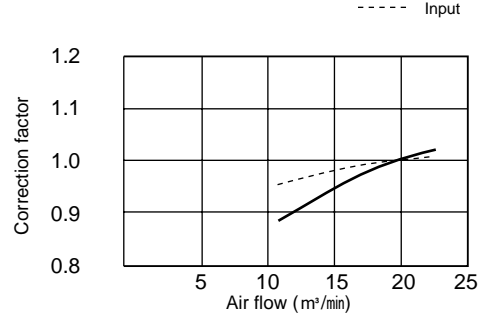


**SE-2.5AR.TH (50Hz)**  
**SE-2.5AR.TH-T**

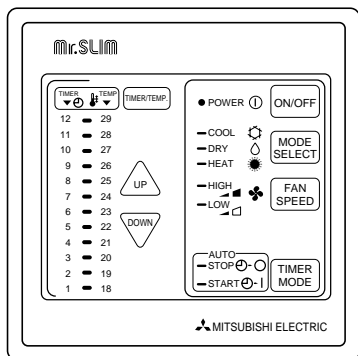
**Fan Performance**



**Corrected Air flow**



## 1. COOL operation

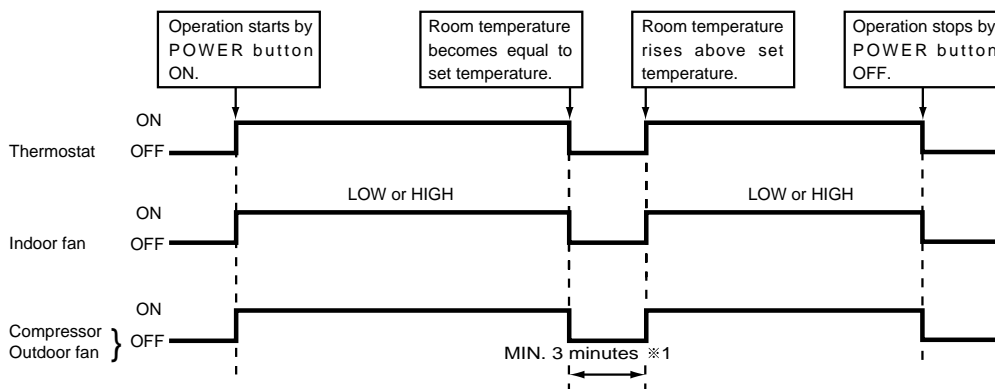


### <How to operate>

- ① Press POWER ON / OFF button.
- ② Press MODE SELECT button to set operation mode to COOL.
- ③ Check **TEMP** lamp is ON and set desired temperature with UP or DOWN button.

- NOTES :**
1. When **TIMER** lamp is ON, press TIMER/TEMP button to change the display to temperature mode.
  2. Set temperature changes by 1°C in the range 18 ~ 29°C each time UP or DOWN button is pressed.
  3. The lighting lamp shows the set temperature, and the flashing lamp shows the room temperature. When the room temperature is equal to the set temperature, the lamp keeps lighting, 0.5 seconds brightly and 0.5 seconds faintly.

### <COOL operation time chart>



※1 Even if the room temperature rise above the set temperature during this period, the compressor will not start until this period has ended.

#### (1) Compressor control

- ① 3-minute time delay  
To prevent overload, the compressor will not start within 3 minutes after stop.
- ② The compressor runs when the room temperature is higher than the set temperature.  
The compressor stops when the room temperature is equal to or lower than the set temperature.
- ③ The compressor stops in check mode.

#### (2) Indoor fan control

Indoor fan speed LOW/HIGH depends on the remote controller setting.

#### (3) Outdoor fan control

POWER ON/OFF with the compressor.

#### (4) Coil frost prevention

- ① Temperature control  
When the indoor coil thermistor RT12 reads -1°C or below, the coil frost prevention mode starts immediately. However the coil frost prevention will not work for 5 minutes after the compressor starts. During the coil frost prevention compressor stops and the indoor fan operates at the set speed for 5 minutes. After that, if RT12 still reads or below -1°C, this mode prolonged until the RT12 reads over -1°C. After the coil frost prevention stops, units will not enter this mode again at least 5 minutes even RT12 reads -1°C.

- ② Time control

When the three conditions below have been satisfied for 1 hour and 45 minutes, compressor stops for 3 minutes.

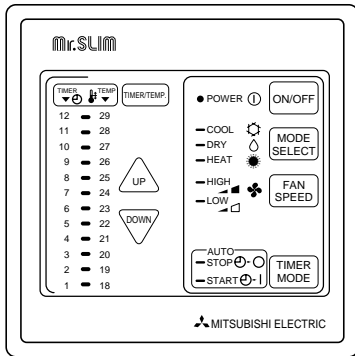
- a. Compressor has been continuously operating.
- b. Indoor fan speed is Low.
- c. Room temperature is below 26°C.

When compressor stops, the accumulated time is cancelled and when compressor restarts, time counting starts from the beginning.

Time counting also stops temporarily when the indoor fan speed becomes High or the room temperature exceeds 26°C. However, when two of the above conditions (b. And c.) are satisfied again time accumulation is resumed.



## 2. DRY operation

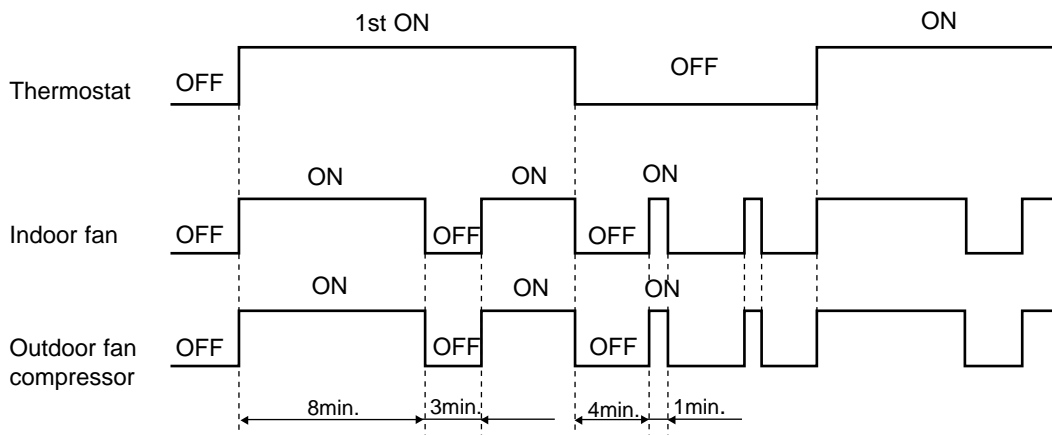


### <How to operate>

- ① Press POWER ON / OFF button.
- ② Press MODE SELECT button to set operation mode to DRY.
- ③ Check lamp is ON and set desired temperature with UP or DOWN button.

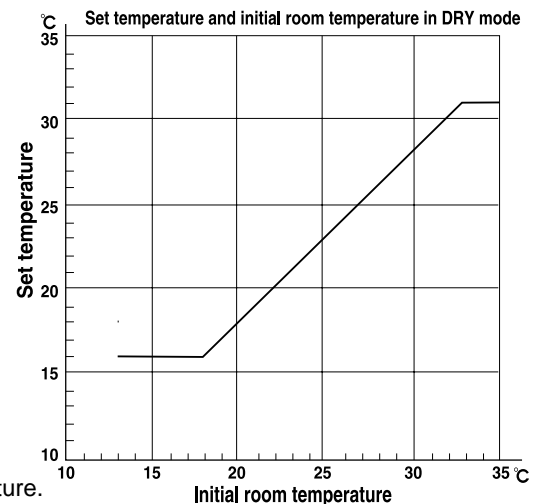
- NOTES :**
1. When lamp is ON, press TIMER/TEMP button to change the display to temperature mode.
  2. Unable to set temperature. POWER ON/OFF are operated by micro-processor control automatically.
  3. The flashing lamp shows the room temperature.

**<DRY operation time chart>** In case of the room temperature of 23°C and above.



### (1) Setting temperature

Follow the right chart with according to the initial room temperature. When the room temperature is 13°C or under, dry operation does not work.



### (2) ON/OFF control

**When the room temperature is 23°C or over:**

Compressor operates by temperature control and time control.

- ① Set temperature is controlled to fall 2°C above from initial set temperature.
- ② When the thermostat is ON, the compressor repeats 8 minutes ON and 3 minutes OFF.  
When the thermostat is OFF, the compressor repeats 4 minutes OFF and 1 minute ON.  
Indoor fan and outdoor fan operate in the same cycle as the compressor.

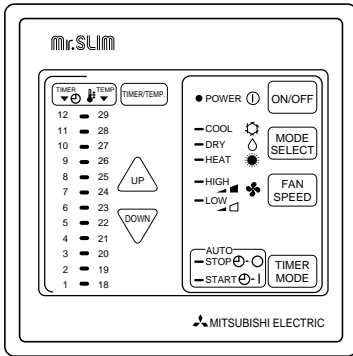
**When the room temperature is under 23°C.**

When the thermostat is ON, the compressor repeats 2 minutes ON and 3 minutes OFF.  
When the thermostat is OFF, the compressor repeats 4 minutes OFF and 1 minute ON.

### (3) Coil frost prevention

The operation is same as that of coil frost prevention during COOL mode.  
However the indoor fan speed becomes the set speed or Low.

### 3. HEAT operation (Only SEH)

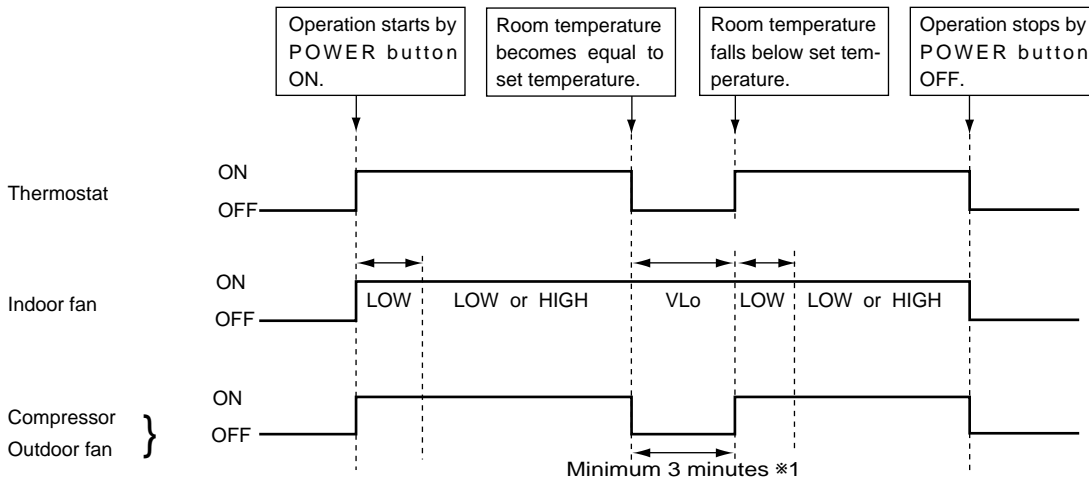


#### <How to operate>

- ① Press POWER ON / OFF button.
- ② Press MODE SELECT button to set operation mode to HEAT.
- ③ Check **TEMP** lamp is ON and set desired temperature with UP or DOWN button.

- NOTES :**
1. When **TIMER** lamp is ON, press TIMER/TEMP button to change the display to temperature mode.
  2. Set temperature changes by 1°C in the range 18 ~ 29°C each time UP or DOWN button is pressed.
  3. The lighting lamp shows the set temperature, and the flashing lamp shows the room temperature. When the room temperature is equal to the set temperature, the lamp keeps lighting, 0.5 seconds brightly and 0.5 seconds faintly.

#### <HEAT operation time chart>



\*1 Even if the room temperature falls below the set temperature during this period, the compressor will not start until this period has ended.

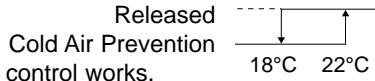
#### (1) Compressor control

- ① 3minute time delay  
To prevent overload, the compressor will not start within 3minutes after stop.
- ② The compressor runs when the room temperature is higher than the set temperature.  
The compressor stops when the room temperature is equal to or higher than the set temperature.  
\* 4degrees up control  
During heat operation, lower the room temperature for 4degrees more than thermistor value.
- ③ The compressor stops in check mode.
- ④ Follow the item (5) during defrosting.

**(2) Indoor fan control**

① Cold air prevention control

The fan runs at set speed when the indoor coil thermistor RT12 temperature exceeds 22°C. The fan operates at VLo when the temperature is below 18°C. But the fan stops when the indoor fan operates at VLo and the room temperature is 15°C or less.



**NOTE :** At initial in hysteresis this control works.

② New warm air control.

When compressor starts in heating operation or after defrosting, the fan changes the speed with dependence on the indoor coil thermistor RT12 temperature to blow out warm air.

After releasing of cold air prevention, when the indoor coil temperature is 37°C or above, the fan speed shifts to the set speed, and when the fan speed is changed by the remote controller, the fan speed is the set speed.

When the indoor coil temperature is less than 37°C, the fan speed is controlled by time as below.

<Time condition>	<Indoor fan speed>
less than 2 minutes	Low
2 minutes or more	High

The upper limit of the fan speed is the set speed.

If the thermostat turns off, this operation changes to flow soft control.

③ Flow soft control

After the thermostat turns off, the indoor fan operates at VLo.

**NOTE :** When the thermostat turns on, the fan operates at the set speed. Due to the cold air prevention control, the fan does not start until the indoor coil thermistor RT12 reads 22°C or more.

④ Follow the item (5) during defrosting.

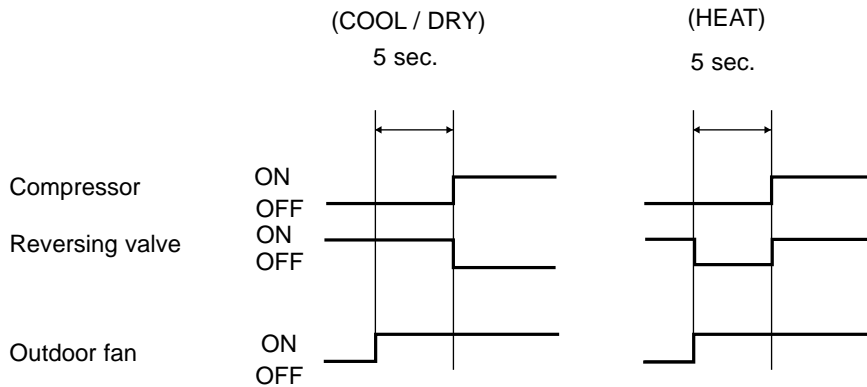
**(3) Outdoor fan control**

POWER ON/OFF with the compressor. However during defrosting, follow the item (5).

**(4) Reversing valve**

- Heating . . . . . ON
- Cooling . . . . . OFF
- Dry . . . . . OFF

NOTE: The Reversing valve reverses for 5 seconds right before start-up of the compressor.



**(5) Defrosting**

Defrosting of outdoor heat exchanger is controlled by deicer P.C. board, with detection by the defrost thermistor RT61.

① Defrost starting conditions

When all conditions of a), b) are satisfied, the defrosting operation starts.

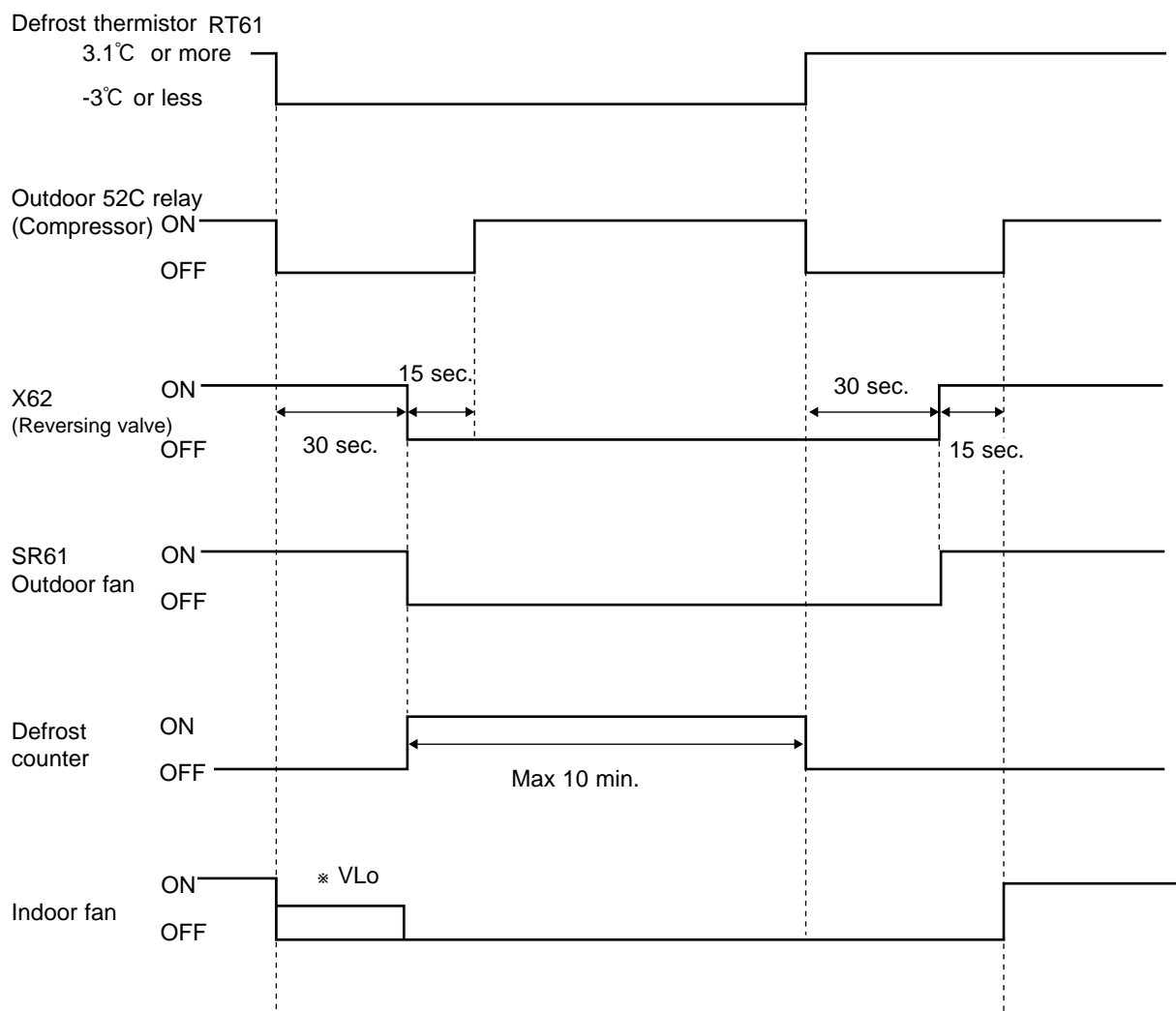
- a) Under the heat operation, the compressor cumulative operation time exceeds 40 minutes without the defrosting operation working.
- b) The defrost thermistor RT61 reads -3°C or less.

② Defrost terminating conditions

When the condition d) or e) is satisfied, the defrosting operation stops.

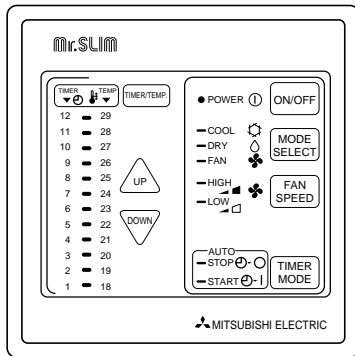
- d) The defrost thermistor RT61 reads 3.1°C or more.
- e) The defrosting time exceeds 10 minutes.

<Defrosting time chart>



NOTE \* When the indoor coil thermistor reads above 18°C, indoor fan operates at VLo for 30 seconds.  
 \* When the indoor coil thermistor reads 18°C or less, the indoor fan stops.

## 4. FAN operation (Only SE)



### <How to operate>

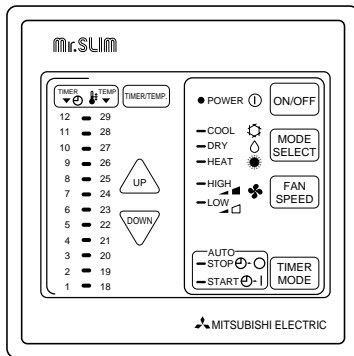
- ① Press POWER ON / OFF button.
- ② Press MODE SELECT button to set operation mode to FAN.

**NOTES :** Temperature can not be set in FAN operation.

### (1) Indoor fan control

The indoor fan speed LOW / HIGH depends on the remote controller setting.

## 5. TIMER operation



### <Timer function>

AUTO STOP .....Air conditioner stops after the set time lapses.

AUTO START .....Air conditioner starts after the set time lapses.

### <How to operate • AUTO STOP timer>

- ① While  POWER lamp is lighting, press TIMER MODE button.

AUTO STOP and  TIMER lamps turn ON.

- ② Set the time for the AUTO STOP timer with the UP or DOWN button.

**NOTE :** The time setting is in 1 hour units up to 12 hours.

- ③ With the lapse of time, the timer lamps turn OFF one by one, showing the remaining time.
- ④ To cancel the AUTO STOP timer and continue operation, press the TIMER MODE button.

To cancel the AUTO STOP timer and stop operation, press the POWER ON/OFF button.

### <How to operate AUTO START timer>

- ① While  POWER lamp is OFF, press TIMER MODE button.

AUTO START and  TIMER lamps turn ON.

- ② Set the time for the AUTO START timer with the UP or DOWN button.

**NOTE :** The time setting is in 1 hour units up to 12 hours.

- ③ With the lapse of time, the timer lamps turn OFF one by one, showing the remaining time.
- ④ To cancel the AUTO START timer and keep the unit OFF, press the TIMER MODE button.

To cancel the AUTO START timer and start operation, press the POWER ON / OFF button.

## 6. TEST RUN

The unit starts the test run by pressing both the UP and DOWN buttons simultaneously for more than two seconds during

TIMER lamp ON or the unit OFF.


- The test run automatically stops in 2 hours.
- Set temperature is not displayed during test run.
- During the test run, the thermo function are as below.

Initial 30 minutes	Thermo ON at the all time
Since 30 minutes passed to terminating of the test run	Thermo ON/OFF as 24°C of setting temperature

- Room temperature is displayed by the flashing green lamp when TIME/TEMP button is pressed.
- The test run can be released by pressing the POWER ON / OFF or the TIMER MODE button.



## 2. Self diagnostic function

- (1) When trouble occurs during operation, the unit stops and enters the self-diagnostic mode, and displays the trouble location with the timer lamps on the remote controller. All the other lamps are OFF.
- (2) To activate the self-diagnostic function for service, press the UP and DOWN buttons simultaneously for more than two seconds during operation with  lamp ON.
- (3) The timer lamps show the latest trouble. Trouble data is memorised until the next trouble occurs, even when the breaker turns OFF. To clear the memory, press the UP and DOWN buttons simultaneously for more than two seconds during the test run.
- (4) All buttons except the POWER ON/OFF button are unavailable during the self-diagnostic mode.
- (5) To release the self-diagnostic mode, press the POWER ON/OFF button.



12	█	29 ←	Remote controller interface signal error
11	█	28 ←	Mis-wiring or indoor-outdoor signal error
10	█	27 ←	Indoor thermistor abnormally
9	█	26 ←	Outdoor thermistor abnormally
8	█	25	
7	█	24	
6	█	23	
5	█	22	
4	█	21	
3	█	20	
2	█	19	
1	█	18	

↑  
 (Indicates that the unit is in self-diagnostic mode)

### 3. Trouble shooting

(1) In case of being indicated irregularity on the self diagnoses

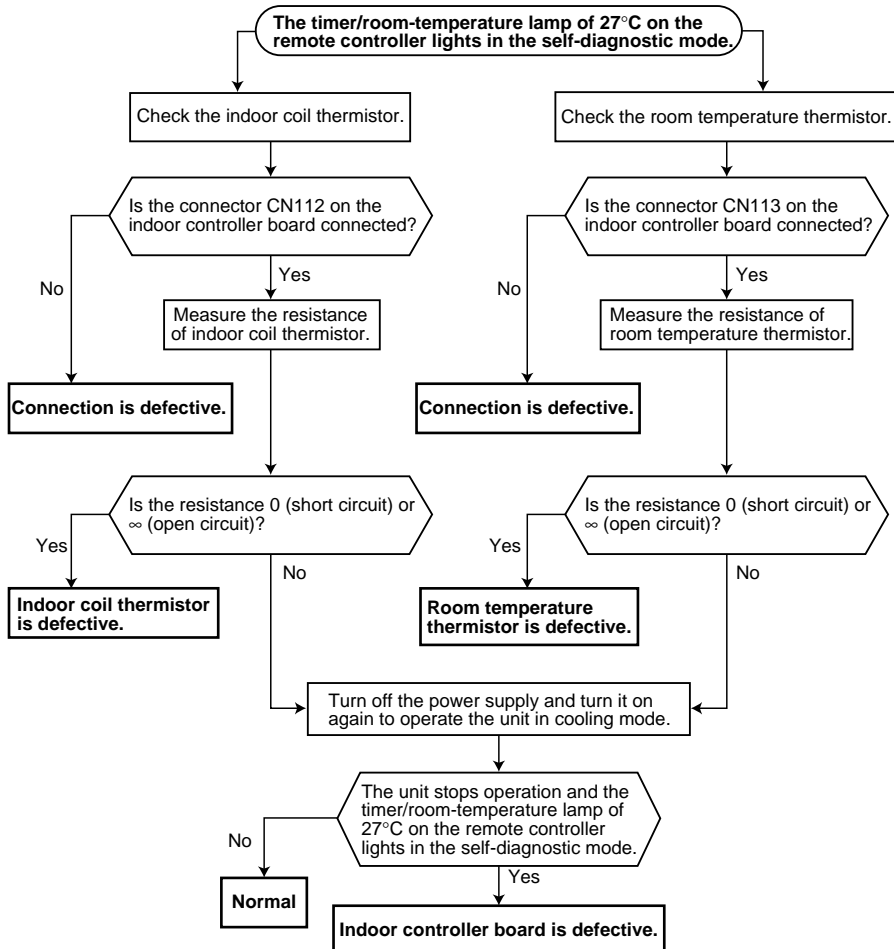
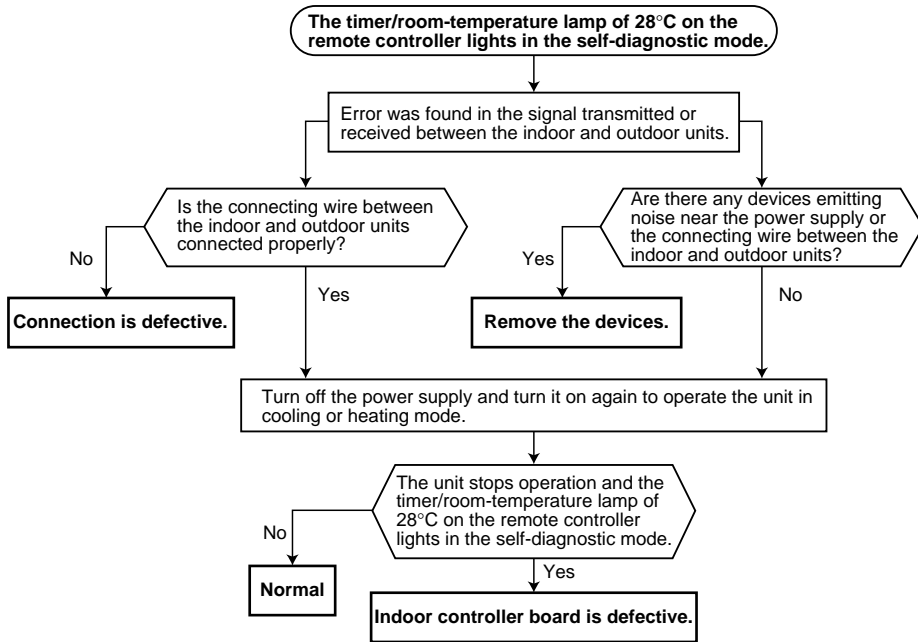
No	Phenomenon	Cause	Countermeasure
29	Remote controller interface signal error	Mis-wiring of the Interface P.C.board.	Reinsert the wiring connector of the Interface P.C.board.
		Trouble of the Interface P.C.board.	Exchange the Interface P.C.board.
		Trouble of the Indoor P.C.board.	Exchange the Indoor P.C.board.
28	Mis-wiring	Wiring between the indoor and outdoor is coming off.	Check the wiring out between the indoor and outdoor.
		Difference of wiring polarity between the indoor and outdoor.	
	Indoor-outdoor signal error	Trouble of the outdoor deicer P.C.board.	Check the deicer P.C.board out.
		Trouble of the Indoor P.C.board.	Exchange the Indoor P.C.board.
27	Indoor coil thermistor	Mis-connecting of the Indoor coil thermistor.	Reinsert the connector (CN112).
		Trouble of the Indoor coil thermistor.	Check the resistance value of the thermistor.
		Trouble of the Indoor P.C.board.	Exchange the Indoor P.C.board.
	Room temperature thermistor	Mis-connecting of the room temperature thermistor.	Reinsert the connector (CN113).
		Trouble of the room temperature thermistor.	Check the resistance value of the thermistor.
		Trouble of the Indoor P.C.board.	Exchange the Indoor P.C.board.
26	Outdoor thermistor	Mis-connecting of the Outdoor thermistor.	Reinsert the connector (CN661).
		Trouble of the Outdoor thermistor.	Check the resistance value of the thermistor.
		Trouble of the deicer P.C.board.	Exchange the deicer P.C.board.

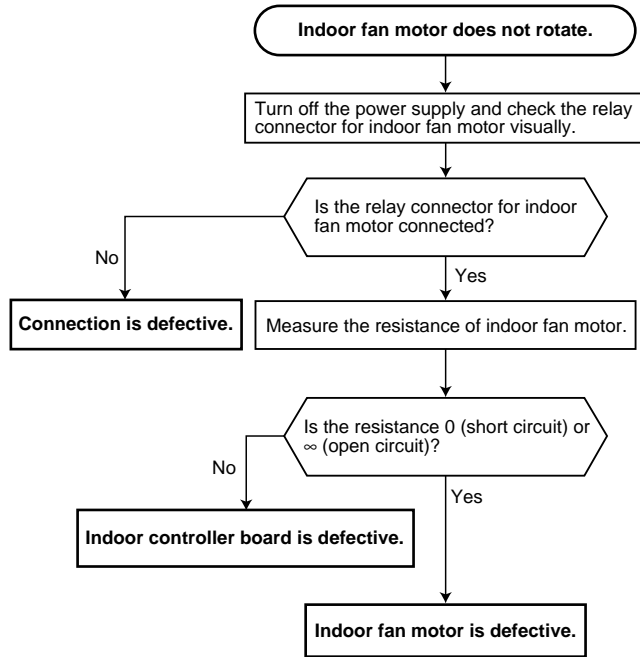
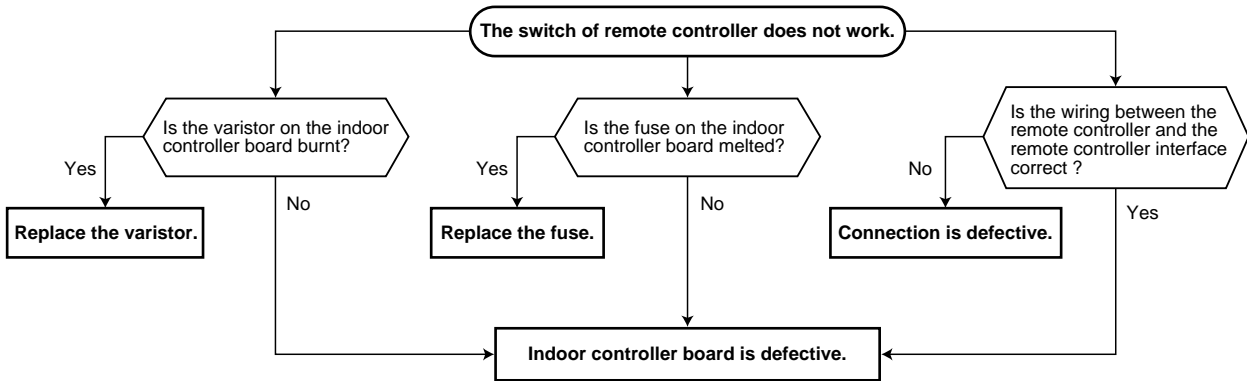


## (2) Other case

Phenomenon	Cause	Countermeasure
Not working of remote controller switch ON/OFF	Mis-connecting the remote control wiring.	Reinsert the connector of remote control wiring.
	Mis-connecting the Interface P.C.board.	Reinsert the wiring connector of Indoor P.C.board and Interface P.C.board.
	Short circuit the protecting parts in the Indoor P.C.board.	Check the varistor(NR11) and fuse(F11) out in the Indoor P.C.board.
	Trouble of the Interface P.C.board.	Check the Interface P.C.board out.
	Trouble of the Indoor P.C.board.	Check the Indoor P.C.board out.
	Trouble of the remote controller.	Exchange the remote controller.
Working the Indoor units and not working the outdoor units.	Wiring between the indoor and outdoor is coming off.	Check the wiring out between the indoor and outdoor.
	Difference of wiring polarity between the indoor and outdoor.	
	Trouble of the deicer P.C.board.	Check the deicer P.C.board out.
	Trouble of the contactor(52C1).	Exchange the contactor.
	Trouble of the compressor(MC) and outdoor fan motor(MF).	Check the compressor and fan motor out.
Not rotating the fan in the indoor unit.	Frequency switching connector is coming off.	Check the frequency (50Hz/60Hz) in the indoor unit.
	Fan motor connector is coming off.	Check the connector out.
	Trouble of the Indoor P.C.board.	Check the fan motor output of the Indoor P.C.board.
	Trouble of the fan motor.	Check the resistance value between the each tap of fan motor.

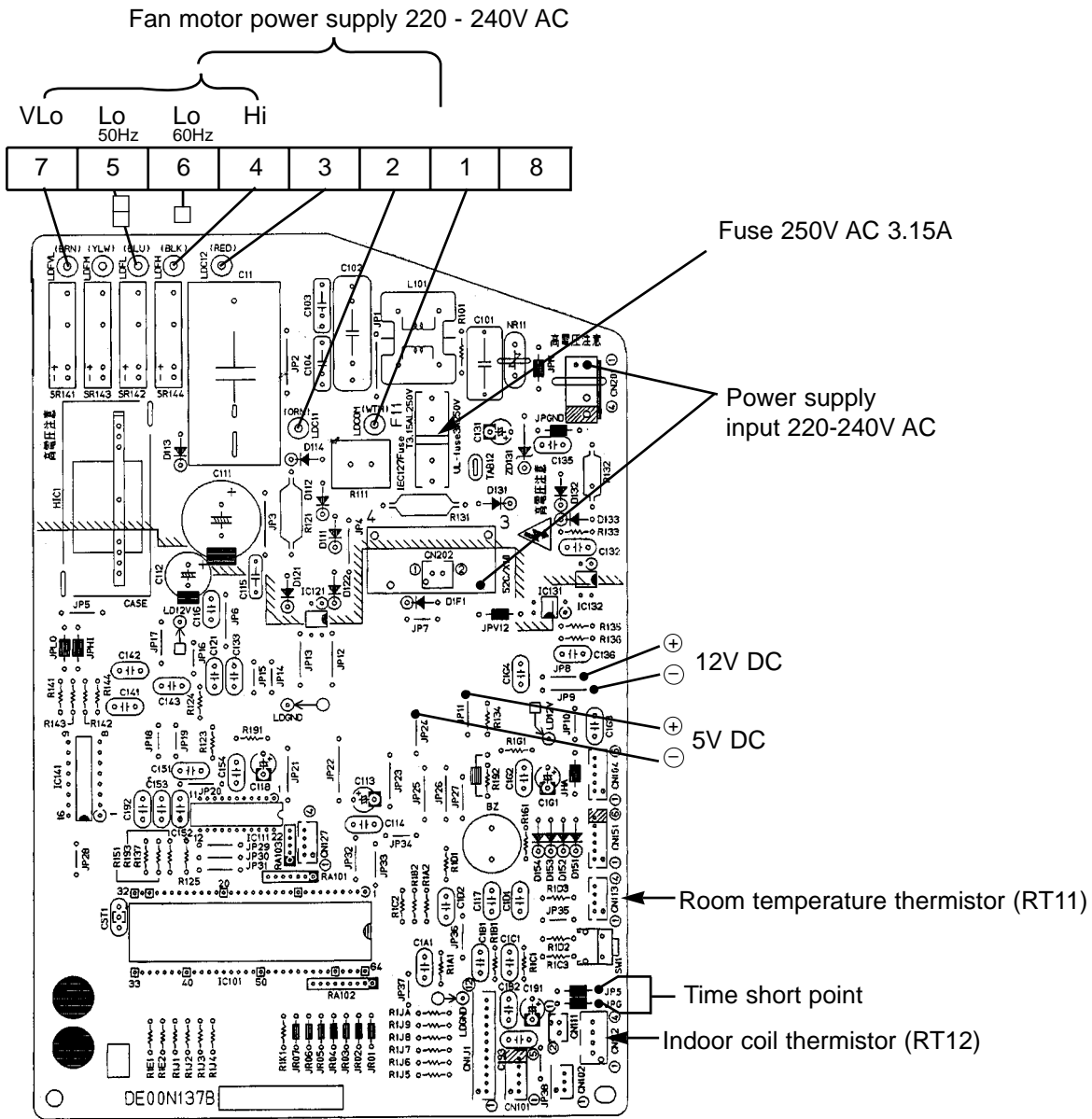
## Check of indoor controller board and indoor fan motor



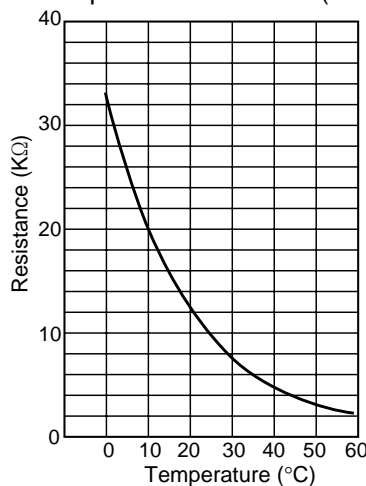


## 4. Test point of P.C.board

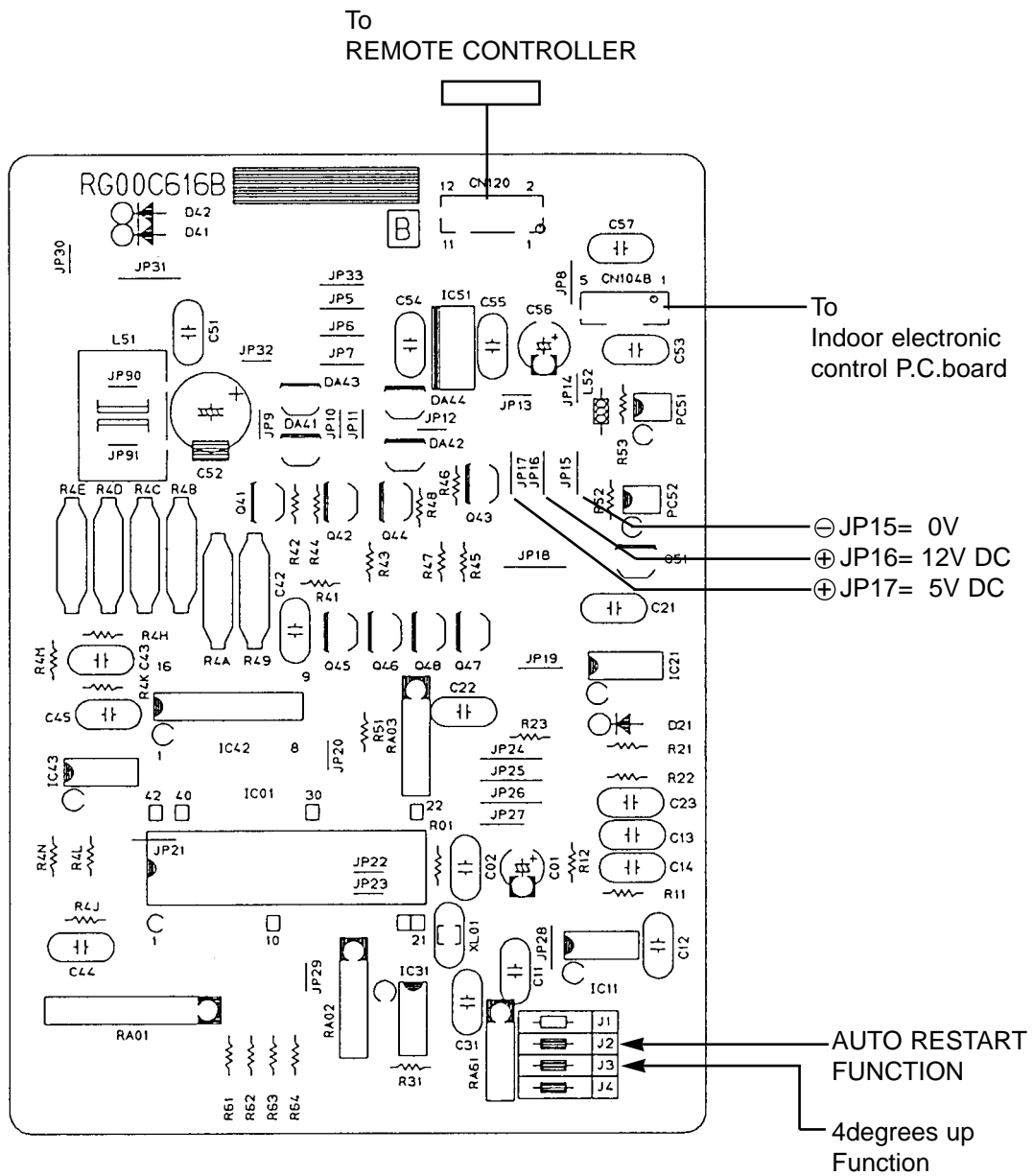
### (1) Indoor electronic control P.C. board



Indoor coil thermistor (RT12)  
Room temperature thermistor (RT11)



(2) Remote controller interface P.C. board



### 5. Trouble criterion of main parts

SEH-1.6AR.TH SEH-2AR.TH SEH-2.5AR.TH

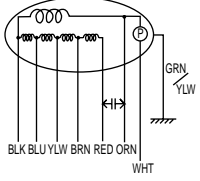
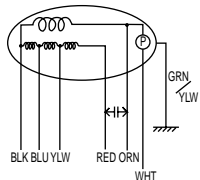
SEH-1.6AR<sub>1</sub>.TH

SE-1.6AR.TH SE-2AR.TH SE-2.5AR.TH

SE-1.6AR<sub>1</sub>.TH

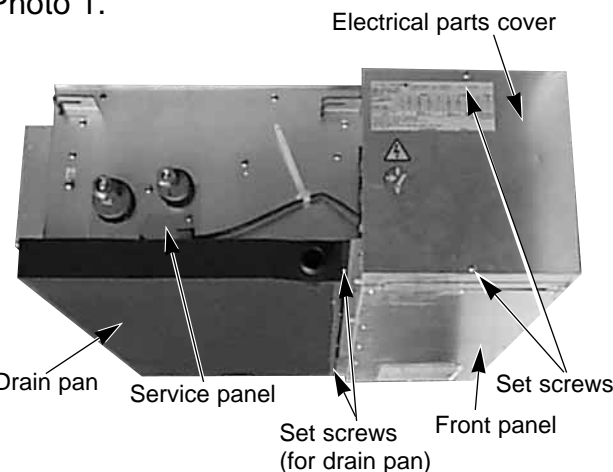
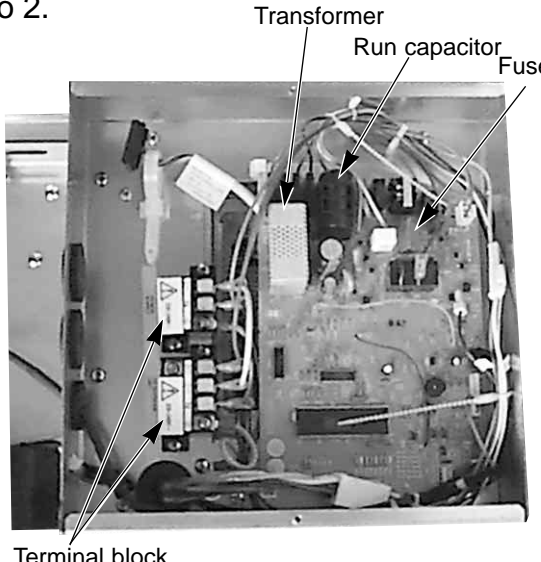
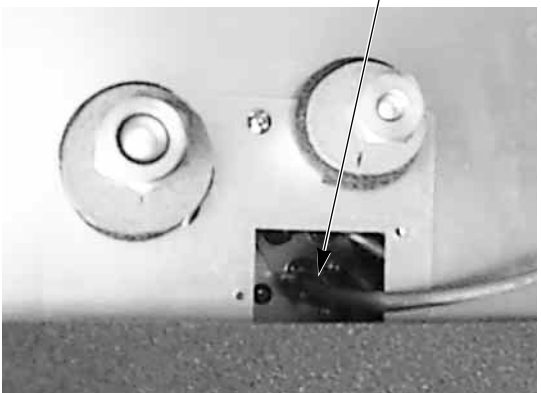
SE-1.6AR.TH-T SE-2AR.TH-T SE-2.5AR.TH-T

SE-1.6AR<sub>1</sub>.TH-T

Part name	Check method and criterion	Figure																																																						
Room temperature thermistor	Measure the resistance with a tester. (Part temperature 10°C ~ 30°C)																																																							
Indoor coil thermistor	<table border="1"> <thead> <tr> <th>Normal</th> <th>Abnormal</th> </tr> </thead> <tbody> <tr> <td>8kΩ ~ 20kΩ</td> <td>Opened or short-circuited</td> </tr> </tbody> </table>	Normal	Abnormal	8kΩ ~ 20kΩ	Opened or short-circuited																																																			
Normal	Abnormal																																																							
8kΩ ~ 20kΩ	Opened or short-circuited																																																							
Indoor fan motor	<p>Measure the resistance between the terminals with a tester. (Coil wiring temperature 10°C ~ 30°C)</p> <table border="1"> <thead> <tr> <th rowspan="2"></th> <th colspan="3">Normal</th> <th rowspan="2">Abnormal</th> </tr> <tr> <th>SEH-1.6AR</th> <th>SEH-2AR</th> <th>SEH-2.5AR</th> </tr> </thead> <tbody> <tr> <td>WHT-BLK</td> <td>241.4~261.2Ω</td> <td>155.5~168.2Ω</td> <td>97.0~105Ω</td> <td rowspan="5">Opened or short-circuited</td> </tr> <tr> <td>BLK-BLU</td> <td>19.0~20.6Ω</td> <td>48.3~52.3Ω</td> <td>53.8~58.3Ω</td> </tr> <tr> <td>BLU-YLW</td> <td>25.4~27.5Ω</td> <td>17.8~19.4Ω</td> <td>14.0~15.3Ω</td> </tr> <tr> <td>YLW-BRN</td> <td>12.6~13.7Ω</td> <td>7.6~8.3Ω</td> <td>6.3~6.9Ω</td> </tr> <tr> <td>BRN-RED</td> <td>47.9~51.9Ω</td> <td>37.6~40.7Ω</td> <td>27.0~29.3Ω</td> </tr> </tbody> </table> <table border="1"> <thead> <tr> <th rowspan="2"></th> <th colspan="3">Normal</th> <th rowspan="2">Abnormal</th> </tr> <tr> <th>SE-1.6AR</th> <th>SE-2AR</th> <th>SE-2.5AR</th> </tr> </thead> <tbody> <tr> <td>WHT-BLK</td> <td>241.4~261.2Ω</td> <td>155.5~168.2Ω</td> <td>97.0~105Ω</td> <td rowspan="4">Opened or short-circuited</td> </tr> <tr> <td>BLK-BLU</td> <td>19.0~20.6Ω</td> <td>48.3~52.3Ω</td> <td>53.8~58.3Ω</td> </tr> <tr> <td>BLU-YLW</td> <td>25.4~27.5Ω</td> <td>17.8~19.4Ω</td> <td>14.0~15.3Ω</td> </tr> <tr> <td>YLW-RED</td> <td>60.6~65.6Ω</td> <td>45.2~49.0Ω</td> <td>33.4~36.2Ω</td> </tr> </tbody> </table>		Normal			Abnormal	SEH-1.6AR	SEH-2AR	SEH-2.5AR	WHT-BLK	241.4~261.2Ω	155.5~168.2Ω	97.0~105Ω	Opened or short-circuited	BLK-BLU	19.0~20.6Ω	48.3~52.3Ω	53.8~58.3Ω	BLU-YLW	25.4~27.5Ω	17.8~19.4Ω	14.0~15.3Ω	YLW-BRN	12.6~13.7Ω	7.6~8.3Ω	6.3~6.9Ω	BRN-RED	47.9~51.9Ω	37.6~40.7Ω	27.0~29.3Ω		Normal			Abnormal	SE-1.6AR	SE-2AR	SE-2.5AR	WHT-BLK	241.4~261.2Ω	155.5~168.2Ω	97.0~105Ω	Opened or short-circuited	BLK-BLU	19.0~20.6Ω	48.3~52.3Ω	53.8~58.3Ω	BLU-YLW	25.4~27.5Ω	17.8~19.4Ω	14.0~15.3Ω	YLW-RED	60.6~65.6Ω	45.2~49.0Ω	33.4~36.2Ω	 
	Normal			Abnormal																																																				
	SEH-1.6AR	SEH-2AR	SEH-2.5AR																																																					
WHT-BLK	241.4~261.2Ω	155.5~168.2Ω	97.0~105Ω	Opened or short-circuited																																																				
BLK-BLU	19.0~20.6Ω	48.3~52.3Ω	53.8~58.3Ω																																																					
BLU-YLW	25.4~27.5Ω	17.8~19.4Ω	14.0~15.3Ω																																																					
YLW-BRN	12.6~13.7Ω	7.6~8.3Ω	6.3~6.9Ω																																																					
BRN-RED	47.9~51.9Ω	37.6~40.7Ω	27.0~29.3Ω																																																					
	Normal			Abnormal																																																				
	SE-1.6AR	SE-2AR	SE-2.5AR																																																					
WHT-BLK	241.4~261.2Ω	155.5~168.2Ω	97.0~105Ω	Opened or short-circuited																																																				
BLK-BLU	19.0~20.6Ω	48.3~52.3Ω	53.8~58.3Ω																																																					
BLU-YLW	25.4~27.5Ω	17.8~19.4Ω	14.0~15.3Ω																																																					
YLW-RED	60.6~65.6Ω	45.2~49.0Ω	33.4~36.2Ω																																																					

Ⓟ: Inner protector

SEH-1.6AR.TH SEH-2AR.TH SEH-2.5AR.TH  
 SEH-1.6AR<sub>1</sub>.TH  
 SE-1.6AR.TH SE-2AR.TH SE-2.5AR.TH  
 SE-1.6AR<sub>1</sub>.TH  
 SE-1.6AR.TH-T SE-2AR.TH-T SE-2.5AR.TH-T  
 SE-1.6AR<sub>1</sub>.TH-T

OPERATING PROCEDURE	PHOTOS
<p><b>1. Removing the electrical parts</b></p> <p>(1) Remove the 2 screws and the electrical parts cover.                      (See Photo 1.)</p> <ul style="list-style-type: none"> <li>● Indoor controller board</li> <li>● Transformer</li> <li>● Run capacitor</li> <li>● Fuse (3.15A)</li> <li>● Terminal block</li> </ul> <p>(See Photo 2.)</p>	<p>Photo 1.</p>  <p>Photo 2.</p> 
<p><b>2. Removing the indoor coil thermistor(RT12)</b></p> <p>(1) Remove the electrical parts cover.                      (See Photo 1.)</p> <p>(2) Remove the 2 screws and the service panel.                      (See Photo 1.)</p> <p>(3) Remove the thermistor (RT12) from the holder.                      (See Photo 3.)</p> <p>(4) Disconnect the connector (CN112) from the indoor controller board and pull the lead wire of thermistor (RT12) out.</p>	<p>Photo 3.</p> 

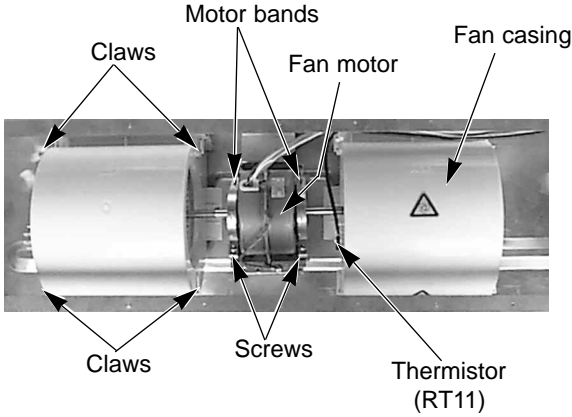


OPERATING PROCEDURE	PHOTOS
---------------------	--------

**3. Removing the room temp. thermistor(RT11)**

- (1) Remove the electrical parts cover. (See Photo 1.)
- (2) Remove the front panel at fan side.(12 screws) (See Photo 1.)
- (3) Remove the thermistor (RT11) from the fan casing. (See Photo 4.)
- (4) Disconnect the connector (CN113)from the indoor controller board and pull the lead wire of thermistor (RT11) out.

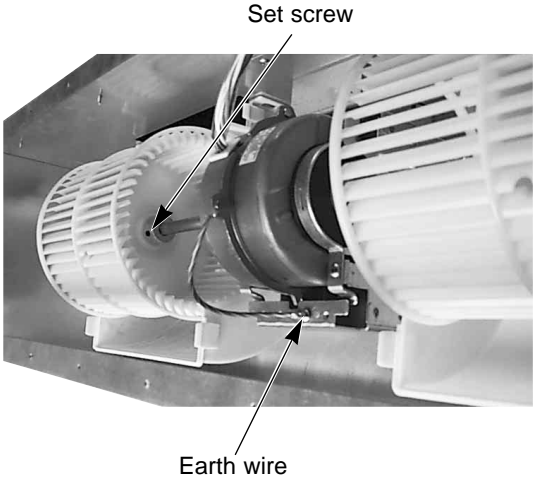
Photo 4.



**4. Removing the sirocco fan and the fan motor.**

- (1) Remove the electrical parts cover. (See Photo 1.)
- (2) Remove the front panel at fan side.(12 screws) (See Photo 1.)
- (3) Disconnect the fan motor connector from the indoor controller board (See Photo 2.)
- (4) Remove the thermistor (RT11) from the fan casing. (See Photo 4.)
- (5) Undo the 4 claws and remove the fan claws.(down side) <Either left or right> (See Photo 4.)
- (6) Remove the motor bands. (A screw each on left and right.) (See Photo 4.)
- (7) Disconnect the earth wire.(from the fan motor leg.) (See Photo 5.)
- (8) Remove the fan motor and the sirocco fan by assembly. (See Photo 5.)
- (9) Unscrew the setting screw and remove the sirocco fan. <Either left or right> (See Photo 5.)

Photo 5.







**OPERATING PROCEDURE**

**5. Removing the drain pan**

(1) Unscrew each set screw on the right and left, and remove the drain pan pushing it toward the the back.  
(See Photo 1.)

**6. Removing the heat exchanger**

(1) Remove the drain pan.  
(See Photo 1.)

(2) Remove the Under flange at heat exchanger side.  
(16 screws)  
(See Photo 6.)

(3) Remove the 4 screws of heat exchanger.( 2 screws each on left and right)  
(See Photo 7.)

(4) Remove the service panel.( 3 screws )  
(See Photo 7.)

(5) Put the heat exchanger down to the fan motor and pull it toward you.  
(See Photo 7.)

**PHOTOS**

Photo 6.

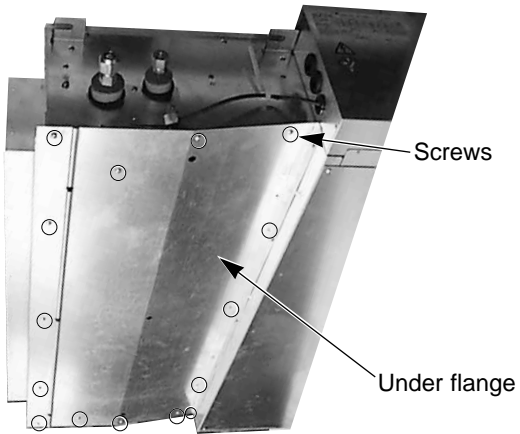
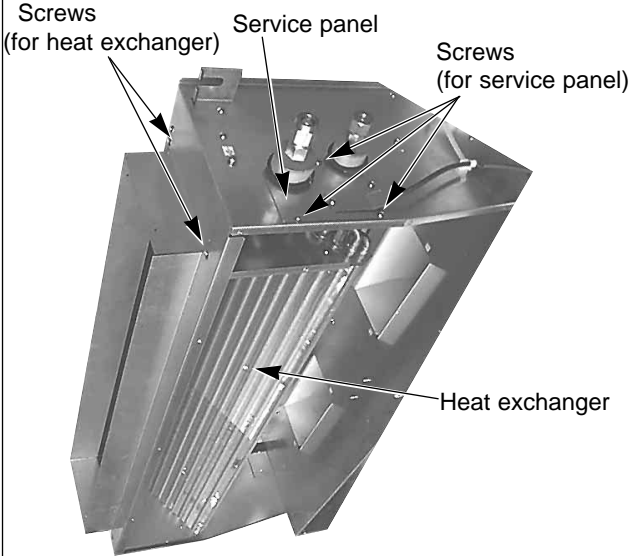
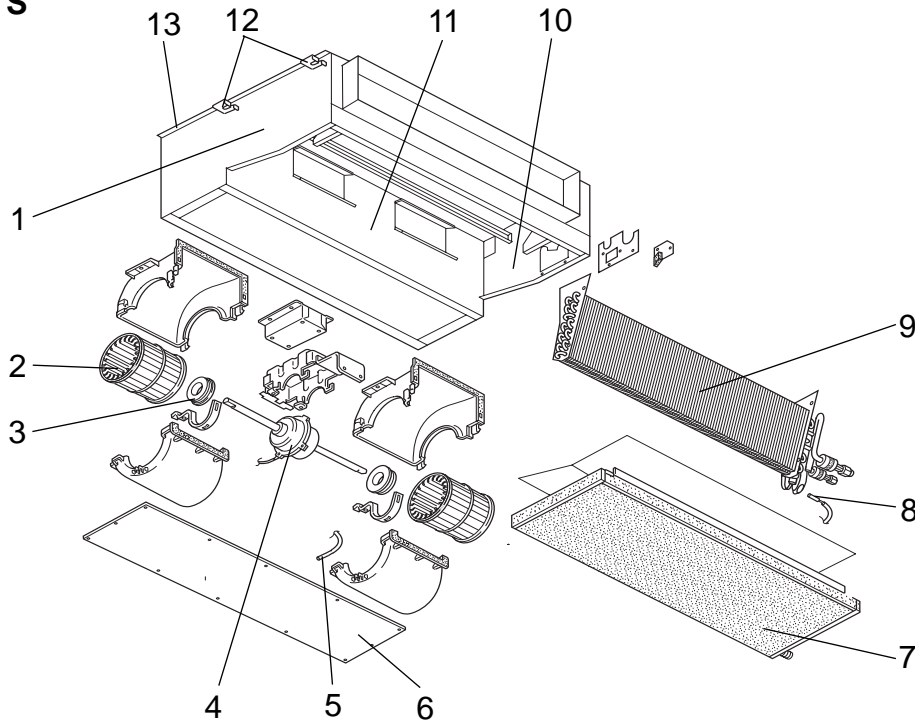


Photo 7.



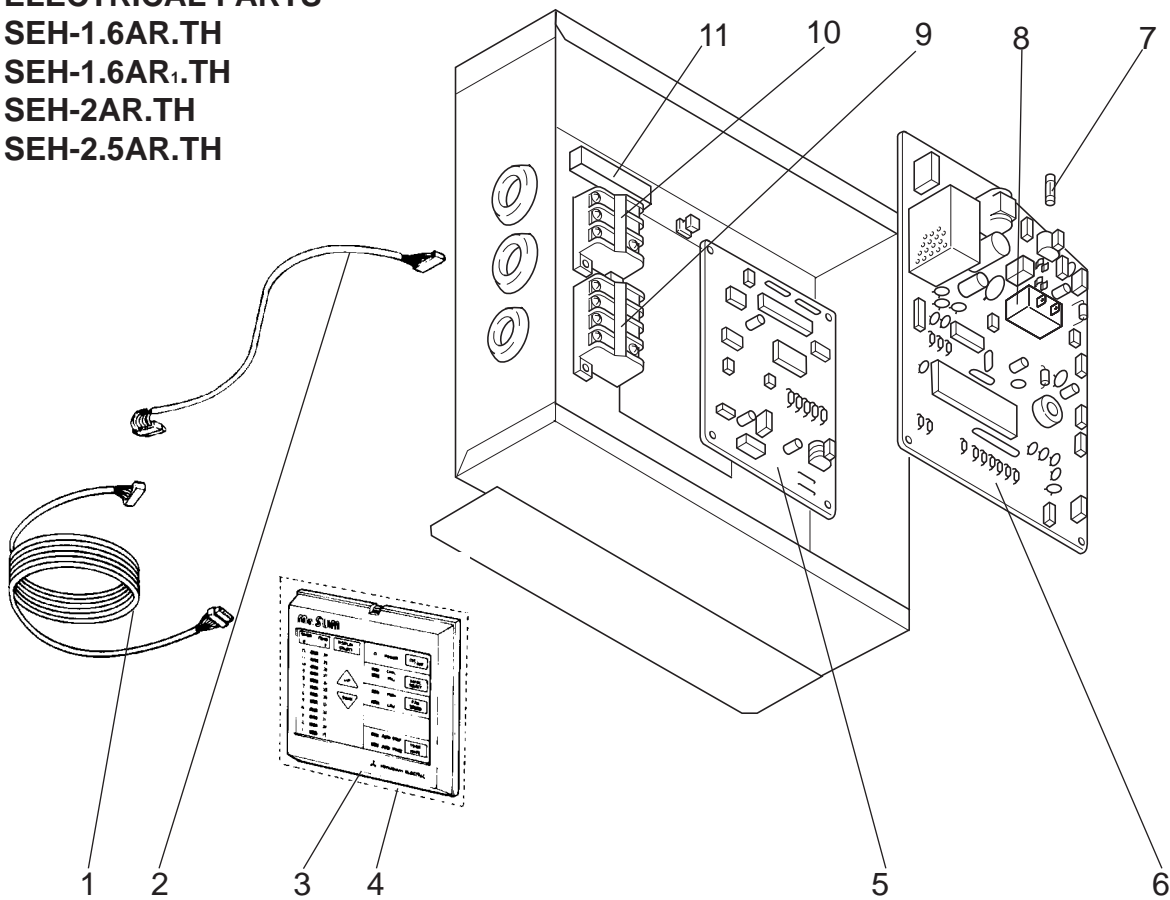
**INDOOR UNIT  
STRUCTURAL PARTS  
SEH-1.6AR.TH  
SEH-1.6AR1.TH  
SEH-2AR.TH  
SEH-2.5AR.TH**



Part number that is circled is not shown in the illustration.

No.	Parts No.	Parts name	Specification	Q'ty/set			Remarks (Drawing No.)	Wiring Diagram Symbol	Recom- mended Q'ty	Price	
				SEH-1.6	SEH-2	SEH-2.5				Unit	Amount
				AR.TH AR1.TH	AR.TH						
1	E07 039 086	LEFT SIDE PANEL		1	1	1					
2	E07 039 500	SIROCCO FAN		2	2	2					
3	E02 179 505	FAN MOTOR RUBBER MOUNT		2	2	2	<2PCS/SET>				
4	E07 039 300	FAN MOTOR	PK6V19-EC	1				MF			
	E07 040 300	FAN MOTOR	PK6V32-EC		1			MF			
	E07 041 300	FAN MOTOR	PK6V50-EC			1		MF			
5	E07 039 308	ROOM TEMPERARURE THERMISTOR		1	1	1		RT11			
6	E07 039 000	FRONT PANEL		1	1	1					
7	E07 039 700	DRAIN PAN		1	1	1					
8	E07 039 307	INDOOR COIL THERMISTOR		1	1	1		RT12			
	E07 039 620	INDOOR HEAT EXCHANGER		1							
	E07 040 620	INDOOR HEAT EXCHANGER			1						
9	E07 041 620	INDOOR HEAT EXCHANGER				1					
	E07 051 085	RIGHT SIDE PANEL		1	1	1					
10	E07 051 085	RIGHT SIDE PANEL		1	1	1					
11	E07 039 293	SEPARATOR ASSY		1	1	1					
12	E07 039 809	LEFT LEG		2	2	2					
13	E07 039 290	BASE		1	1	1					
14	E07 039 808	RIGHT LEG		2	2	2					

**INDOOR UNIT  
ELECTRICAL PARTS  
SEH-1.6AR.TH  
SEH-1.6AR<sub>1</sub>.TH  
SEH-2AR.TH  
SEH-2.5AR.TH**

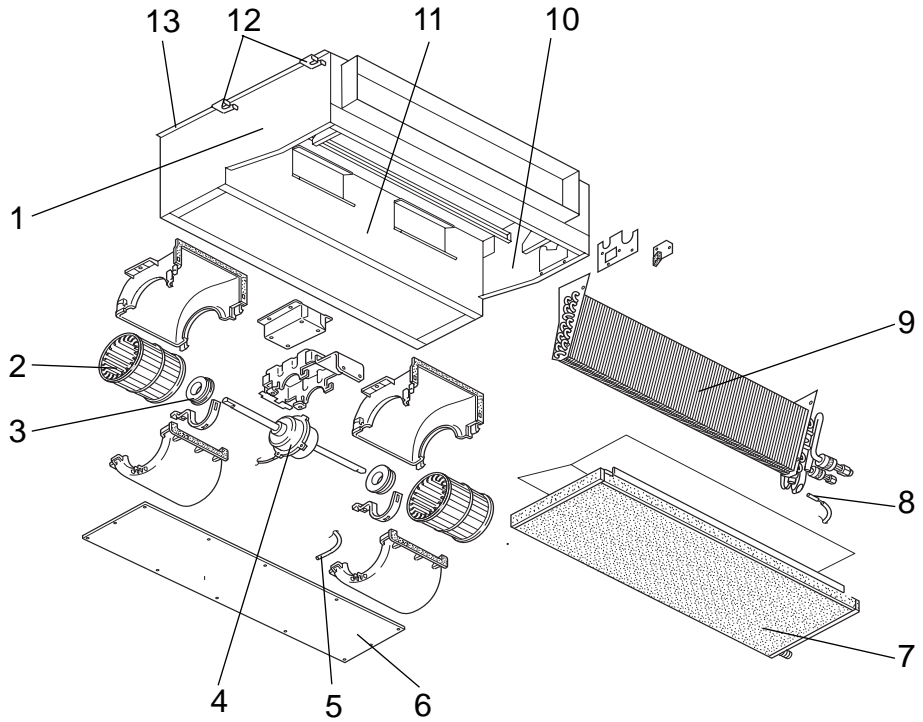


Part numbers that are circled are not shown in the illustration.

No.	Parts No.	Parts name	Specification	Q'ty/set			Remarks (Drawing No.)	Wiring Diagram Symbol	Recom- mended Q'ty	Price	
				SEH-1.6 AR.TH AR <sub>1</sub> .TH	SEH-2 AR.TH	SEH-2.5 AR.TH				Unit	Amount
1	E07 027 089	REMOTE CONTROLLER CABLE		1	1	1					
2	E07 039 087	CABLE(FOR BOARD)		1	1	1					
3	E07 027 088	REMOTE CONTROLLER COVER		1	1	1					
4	E07 039 426	REMOTE CONTROLLER		1	1	1					
5	E07 039 454	REMOTE CONTROLLER INTERFACE P.C. BOARD		1	1	1					
6	E07 039 450	ELECTRONIC CONTROL P.C. BOARD		1							
	E07 040 450	ELECTRONIC CONTROL P.C. BOARD			1						
	E07 041 450	ELECTRONIC CONTROL P.C. BOARD				1					
7	E02 127 382	FUSE	250/3.15A	1	1	1		F11			
8	E02 138 340	COMPRESSOR CONTACTOR		1	1	1		52C			
9	E02 199 374	TERMINAL BLOCK	3,2,N,⊕	1	1	1		TB			
10	E02 367 377	TERMINAL BLOCK	L,N,⊕	1	1	1		TB			
11	E02 466 383	SURGE ABSORBER		1	1	1		DSAR			
⑫	E02 085 385	VARISTOR		1	1	1		NR11			
⑬	E07 039 449	CONTROLLER COVER		1	1	1					

**INDOOR UNIT  
STRUCTURAL PARTS**

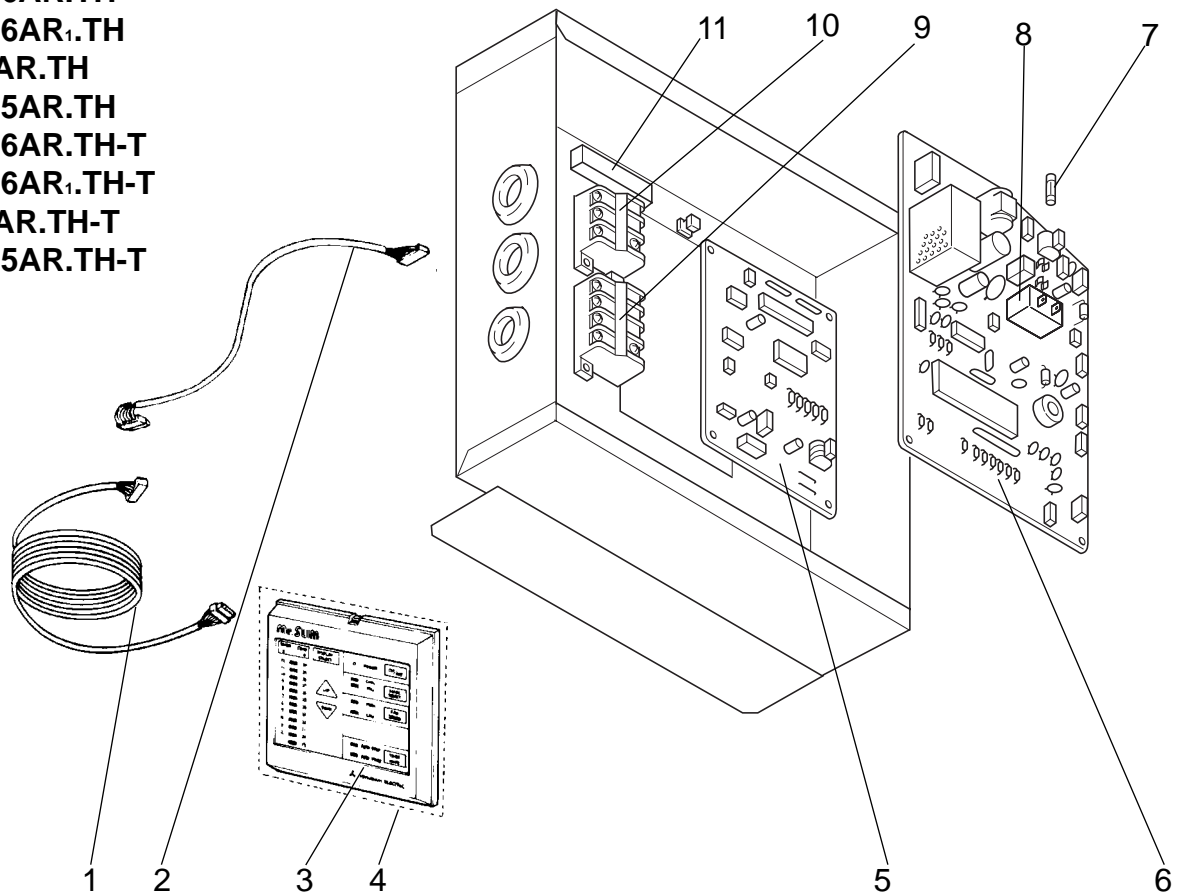
SE-1.6AR.TH  
SE-1.6AR<sub>i</sub>.TH  
SE-2AR.TH  
SE-2.5AR.TH  
SE-1.6AR.TH-T  
SE-1.6AR<sub>i</sub>.TH-T  
SE-2AR.TH-T  
SE-2.5AR.TH-T



Part number that is circled is not shown in the illustration.

No.	Parts No.	Parts name	Specification	Q'ty/set			Remarks (Drawing No.)	Wiring Diagram Symbol	Recom- mended Q'ty	Price		
				SE-1.6		SE-2				SE-2.5	Unit	Amount
				AR.TH AR <sub>i</sub> .TH	AR.TH-T AR <sub>i</sub> .TH-T	AR.TH AR.TH-T				AR.TH AR.TH-T		
1	E07 039 086	LEFT SIDE PANEL		1	1	1						
2	E07 039 500	SIROCCO FAN		2	2	2						
3	E02 179 505	FAN MOTOR RUBBER MOUNT		2	2	2	<2PCS/SET>					
4	E07 051 300	FAN MOTOR	PK6V19-ED	1				MF				
	E07 052 300	FAN MOTOR	PK6V32-ED		1			MF				
	E07 053 300	FAN MOTOR	PK6V50-ED			1		MF				
5	E07 039 308	ROOM TEMPERATURE THERMISTOR		1	1	1		RT11				
6	E07 039 000	FRONT PANEL		1	1	1						
7	E07 039 700	DRAIN PAN		1	1	1						
8	E07 039 307	INDOOR COIL THERMISTOR		1	1	1		RT12				
9	E07 039 620	INDOOR HEAT EXCHANGER		1								
	E07 040 620	INDOOR HEAT EXCHANGER			1							
	E07 041 620	INDOOR HEAT EXCHANGER				1						
10	E07 051 085	RIGHT SIDE PANEL		1	1	1						
11	E07 039 293	SEPARATOR ASSY		1	1	1						
12	E07 039 809	LEFT LEG		2	2	2						
13	E07 039 290	BASE		1	1	1						
14	E07 039 808	RIGHT LEG		2	2	2						

**INDOOR UNIT  
ELECTRICAL PARTS  
SE-1.6AR.TH  
SE-1.6AR<sub>1</sub>.TH  
SE-2AR.TH  
SE-2.5AR.TH  
SE-1.6AR.TH-T  
SE-1.6AR<sub>1</sub>.TH-T  
SE-2AR.TH-T  
SE-2.5AR.TH-T**

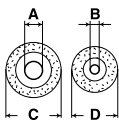


Part numbers that are circled are not shown in the illustration.

No.	Parts No.	Parts name	Specification	Q'ty/set			Remarks (Drawing No.)	Wiring Diagram Symbol	Recom- mended Q'ty	Price	
				SE-1.6 AR.TH AR <sub>1</sub> .TH	SE-2 AR.TH AR <sub>1</sub> .TH-T	SE-2.5 AR.TH AR <sub>1</sub> .TH-T				Unit	Amount
1	E07 027 089	REMOTE CONTROLLER CABLE		1	1	1					
2	E07 039 087	CABLE(FOR BOARD)		1	1	1					
3	E07 027 088	REMOTE CONTROLLER COVER		1	1	1					
4	E07 027 426	REMOTE CONTROLLER		1	1	1					
5	E07 051 454	REMOTE CONTROLLER P.C. BOARD		1	1	1					
6	E07 051 450	ELECTRONIC CONTROL P.C. BOARD		1							
	E07 052 450	ELECTRONIC CONTROL P.C. BOARD			1						
	E07 053 450	ELECTRONIC CONTROL P.C. BOARD				1					
7	E02 127 382	FUSE	250/3.15A	1	1	1		F11			
8	E02 138 340	COMPRESSOR CONTACTOR		1	1	1		52C			
9	E02 229 375	TERMINAL BLOCK	3,2,N,⊕	1	1	1		TB			
10	E02 367 377	TERMINAL BLOCK	L,N,⊕	1	1	1		TB			
11	E02 466 383	SURGE ABSORBER		1	1	1		DSAR			
⑫	E02 085 385	VARIATOR		1	1	1		NR11			
⑬	E07 039 449	CONTROLLER COVER		1	1	1					

### 1. REFRIGERANT PIPES

The air conditioner has flared connections its indoor and outdoor sides.  
Please use the optional extension pipe as follows.

Applied unit	Models	Pipe length	Pipe size O.D.mm (in.)				Additional refrigerant charge R-22(g)	
			Cross-section	A-Gas	B-liquid	Insulation		
C	D							
SEH-1.6AR.TH SEH-1.6AR <sub>1</sub> .TH SE-1.6AR.TH SE-1.6AR <sub>1</sub> .TH SE-1.6AR.TH-T SE-1.6AR <sub>1</sub> .TH-T	MAC-680PI	3m		φ12.7 (1/2)	φ6.35 (1/4)	φ27	φ21	0
	MAC-681PI	5m						150 ((45))
	MAC-682PI	7m						400 ((120))
	MAC-683PI	10m						
	MAC-684PI	15m						
SEH-2AR.TH SE-2AR.TH SE-2AR.TH-T	MAC-670PI	3m	φ15.88 (5/8)	φ9.52 (3/8)	φ31	φ27	0	
	MAC-671PI	5m					150 ((45))	
	MAC-672PI	7m					400 ((120))	
	MAC-673PI	10m						
SEH-2.5AR.TH SE-2.5AR.TH SE-2.5AR.TH-T	MAC-860PI	3m					0	
	MAC-861PI	5m					195 ((45))	
	MAC-862PI	7m					520 ((120))	
	MAC-863PI	10m						
	MAC-864PI	15m						

The values in double parentheses show the quantities of additional refrigerant charge for SE- • AR.TH and SE- • AR.TH-T.

### 2. REMOTE CONTROLLER EXTENSION CABLE

When installing the remote controller at a distance from the air conditioner, use the designated extension cable with connector.

Part No.	PAC-905EC	PAC-906EC	PAC-918EC	PAC-919EC
Length	12m	20m	30m	50m

### 3. AIR FILTER

Applied unit	Models
SEH-1.6AR.TH, SEH-1.6AR <sub>1</sub> .TH SEH-2AR.TH SEH-2.5AR.TH SE-1.6AR.TH, SE-1.6AR <sub>1</sub> .TH SE-2AR.TH SE-2.5AR.TH SE-1.6AR.TH-T, SE-1.6AR <sub>1</sub> .TH-T SE-2AR.TH-T SE-2.5AR.TH-T	PAC - 1000 FT

 **MITSUBISHI ELECTRIC CORPORATION**

HEAD OFFICE : MITSUBISHI DENKI BLDG., 2-2-3, MARUNOUCHI, CHIYODA-KU, TOKYO 100-8310, JAPAN