

# **SERVICE PARTS LIST FOR MITSUBISHI ELECTRIC PACKAGED AIR-CONDITIONERS**

**Series PEH-P-MYA**

**Jul. 2003**

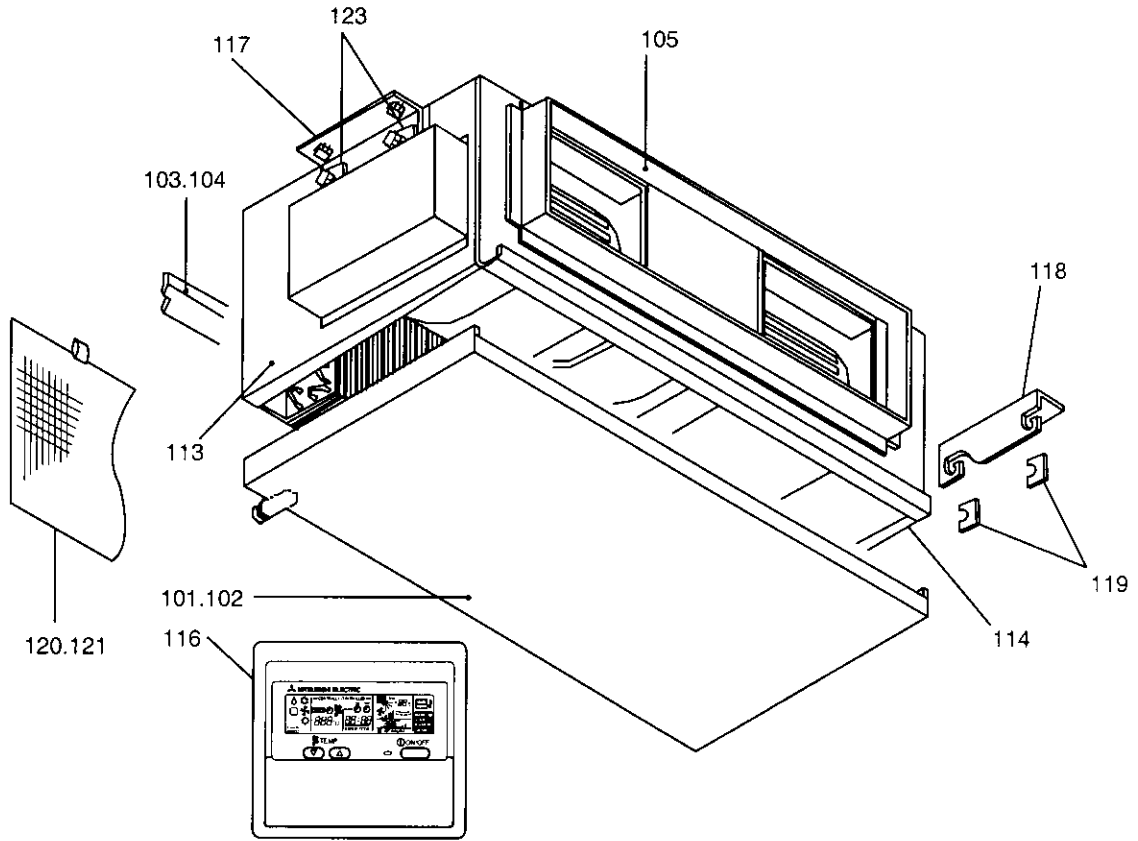
**For AGENT**

## **INDEX**

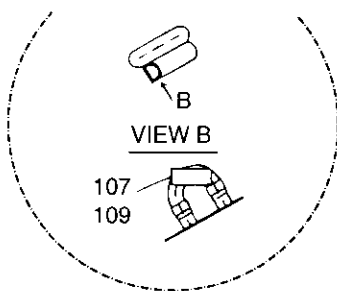
**PEH-P8MYA**

**PEH-P10MYA**

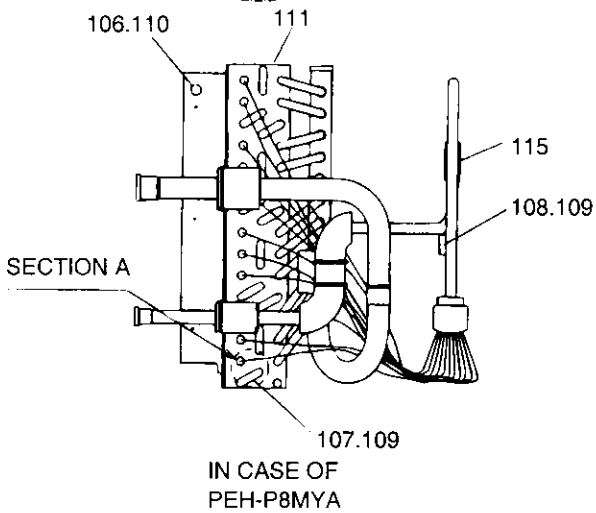
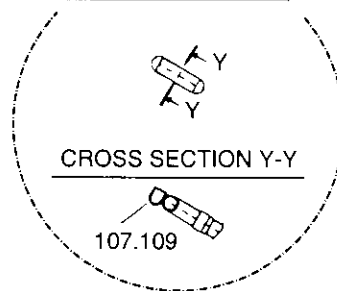




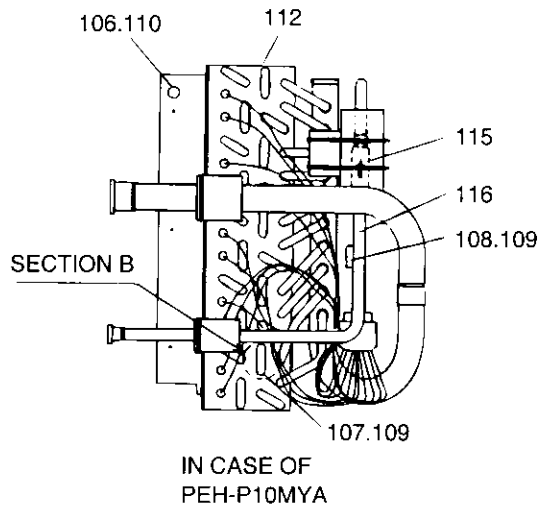
DETAIL SECTION A



DETAIL SECTION B



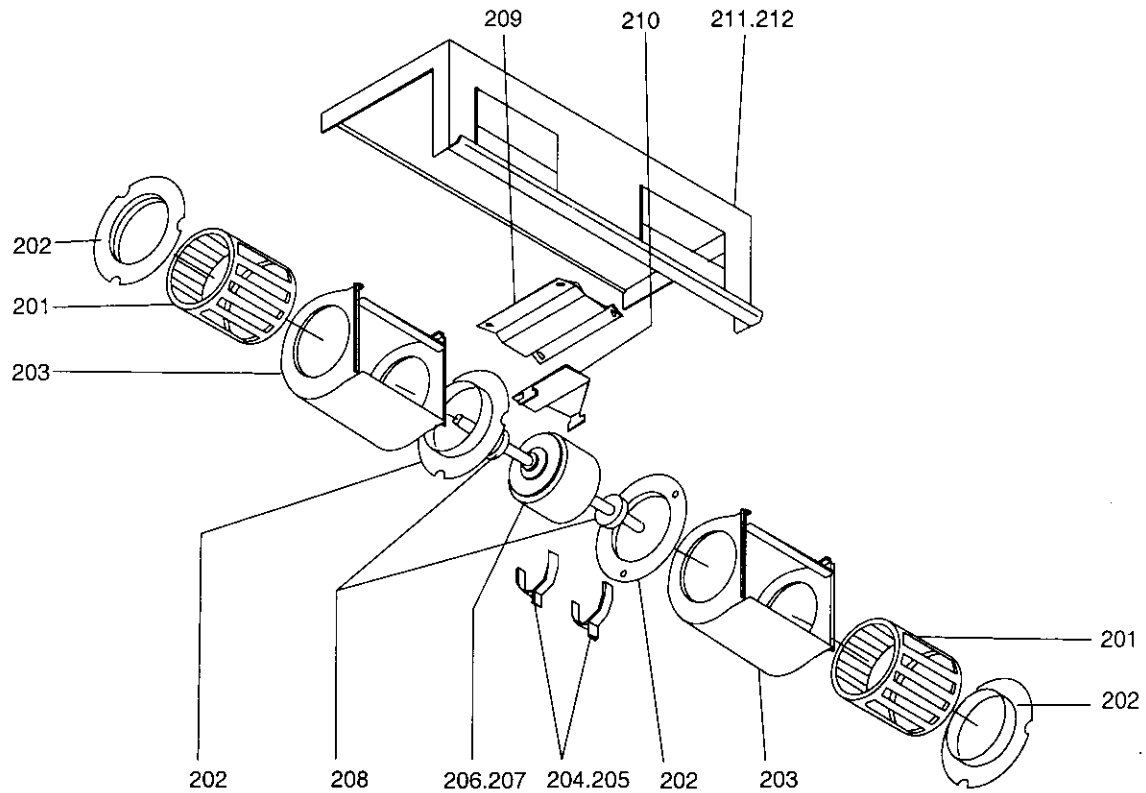
IN CASE OF PEH-P8MYA



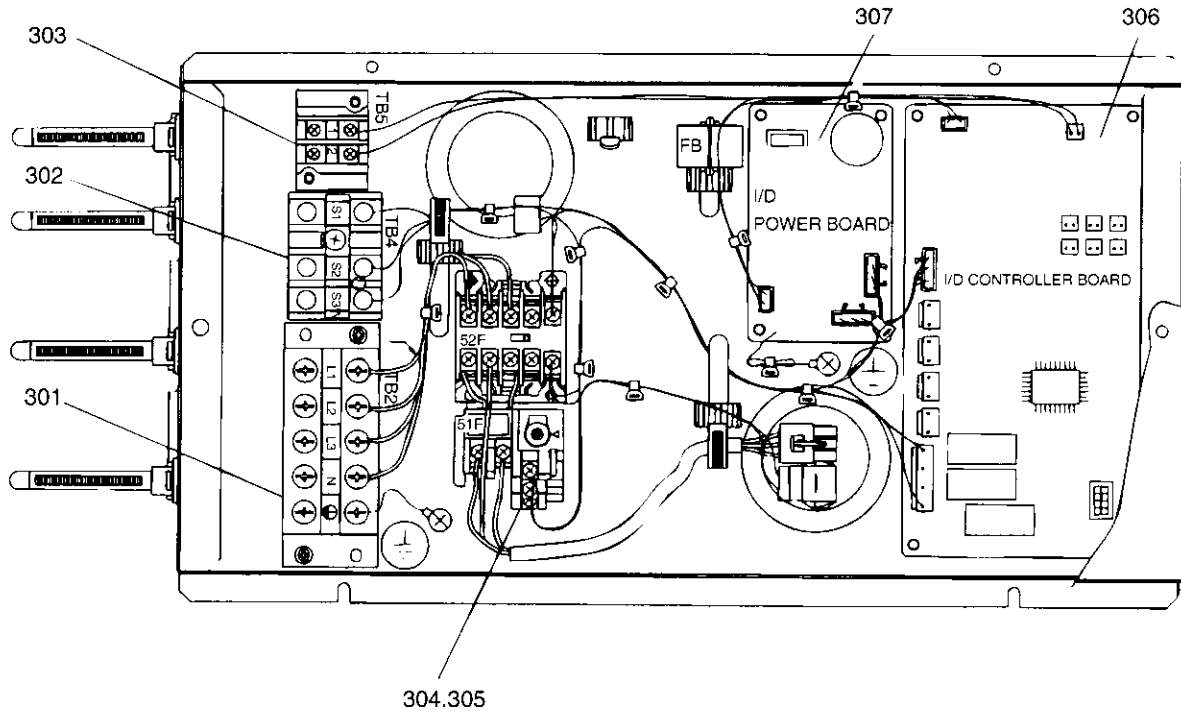
IN CASE OF PEH-P10MYA

No.	Part No.	Part Name	Spec.			Dwg. No.	Price AGENT
				PEH-P8MYA	PEH-P10MYA		
101	A50019015848	ASSY, DRAIN PAN		1		W654091G01	██████████
102	A50014011167	ASSY, DRAIN PAN			1	W654091G02	██████████
103	A50019018962	SUPPORT, FILTER		1		W903732G01	██████████
104	A50019018963	SUPPORT, FILTER			1	W903732G02	██████████
105	A50014030637	ASSY, DUCT FLANGE		1	1	W498425G01	██████████
106	A50139015788	THERMISTOR ASSY	<TH1> P425496X01	1	1	W896136G01	██████████
107	A04159015738	THERMISTOR	<TH5>	1	1	P425458X02	██████████
108	A04159015748	THERMISTOR	<TH2>	1	1	P425459X02	██████████
109	A01029015701	T.H.SPRING		2	2	BC38D815H01	██████████
110	A11019016092	BUSH KR-51		1	1	P459023X01	██████████
111	A50029018233	ASSY, INDOOR COIL PEHP8MYA		1		W237355G02	██████████
112	A50029018235	ASSY, INDOOR COIL PEHP10MYA			1	W237355G01	██████████
113	A01014030734	PANEL, SIDE LEFT		1	1	W647276G01	██████████
114	A01014056031	PANEL, SIDE RIGHT		1	1	W866738G01	██████████
115	A02069018204	STRAINER, 5/8		1	1	W882826G01	██████████
116	A04089015739	CONTROLLER PAR-20MAA		1	1	W267102G57	██████████
117	A01014030634	LEG, WOODEN BASE LEFT		1	1	W627155H01	██████████
118	A01014030715	LEG, WOODEN BASE RIGHT		1	1	W627155H02	██████████
119	A07019003824	C-CLIP WASHER PE MODELS		4	4	R004P626H01	██████████
120	A03084004780	AIR FILTER, 360*1097mm		1		P717816X01	██████████
121	A03084004781	AIR FILTER, 360*1297mm			1	P717817X01	██████████

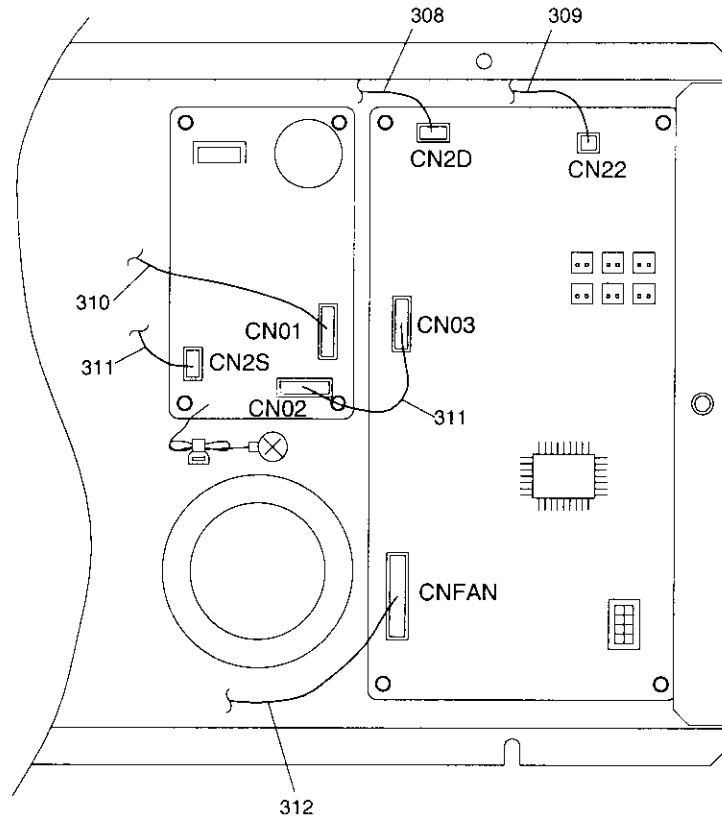
BLOWER PARTS



No.	Part No.	Part Name	Spec.			Dwg. No.	Price AGENT
				PEH-P8MYA	PEH-P10MYA		
201	A03029015218	SIROCCO FAN		2	2	W271706G04	■■■■
202	A01029002626	BELL MOUTH R02D730H01		4	4	R302D730H01	■■■■
203	A50014031678	ASSY, CASING		2	2	W256833G03	■■■■
204	A50014009058	ASSY, MOTOR CLIP (FRONT)		2	2	R302F328H09	■■■■
205	A01015015093	CLIP, MOTOR		2	2	R302F328G84	■■■■
206	A03039018474	MOTOR, YB750FA P714898X01	0.75kW,3PHASE,380-415V P714898X01	1		W887216G01	■■■■
207	A03039018473	MOTOR, YB1.2FA P714899X01	1.2kW,3PHASE,380-415V P714899X01		1	W887216G02	■■■■
208	A11019002623	MOUNT,RUBBER R31F676H01		2	2	R331F676H01	■■■■
209	A50019018374	ASSY, MOTOR BASE		1	1	W878352G01	■■■■
210	A50019018373	ASSY, MOTOR LEG		1	1	W903730G01	■■■■
211	A50014032138	ASSY, TOP PANEL		1		W626348G06	■■■■
212	A50014031939	ASSY, TOP PANEL			1	W626348G07	■■■■



No.	Part No.	Part Name	Spec.			Dwg. No.	Price AGENT
				PEH-P8MYA	PEH-P10MYA		
301	A04119018202	TERMINAL BLOCK,5P,40A	<TB2> 5P,40A	1	1	P436151X01	██████
302	A04119018203	TERMINAL BLOCK,3P,30A	<TB4> 3P,30A	1	1	P436157X01	██████
303	A04114031972	TERMINAL BLOCK,T3020-1-2P,20A	<TB5> T3020-1,2P,20A P436158X01	1	1	W872787G01	██████
304	A04039014970	CONTACTOR PAK-6JT AC240V,3.5A	<52F/51F> PAK-6JT,3.5A	1		S427022H52	██████
305	A04039014905	CONTACTOR PAK-6JT AC240V,5A	<52F/51F> PAK-6JT,5A		1	S427022H49	██████
306	A04089017950	PRINTED WIRING BOARD (CONTROLLER)	153267	1	1	P718924X04	██████
307	A04089017950	PRINTED WIRING BOARD (POWER)	153268	1	1	P718897X01	██████



No.	Part No.	Part Name	Spec.	PEH-P8MYA		Dwg. No.	Price AGENT
				PEH-P8MYA	PEH-P10MYA		
308	A50139015755	LEAD WIRE ASSY4		1	1	W880640G02	
309	A50139015757	LEAD WIRE ASSY6		1	1	W880641G01	
310	A50139018434	LEAD WIRE ASSY2		1	1	W878334G01	
311	A50139015754	LEAD WIRE ASSY3		1	1	W880639G01	
312	A50139018435	LEAD WIRE ASSY10		1	1	W878335G01	

