

TECHNICAL & SERVICE MANUAL

Series SEZ Ceiling Concealed R410A

Indoor unit
[Model names]

SEZ-A12AR

SEZ-A18AR

SEZ-A24AR

[Service Ref.]

SEZ-A12AR.TH

SEZ-A18AR.TH

SEZ-A24AR.TH

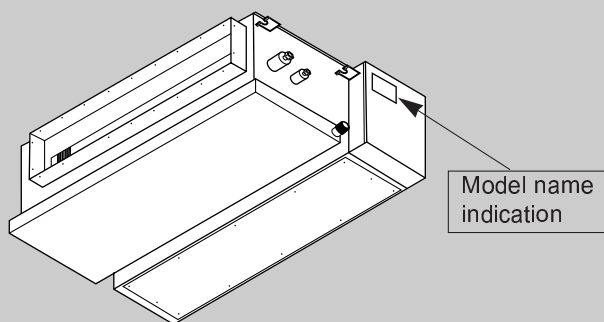
Revision :

- " 2. SPECIFICATIONS " has been modified.

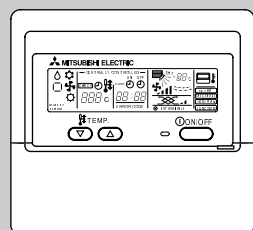
Note :

- This manual does not cover the following outdoor units. When servicing them, please refer to the service manual No.OC304 REVISED EDITION-A and this manual in a set.

- Please void OC303.



INDOOR UNIT

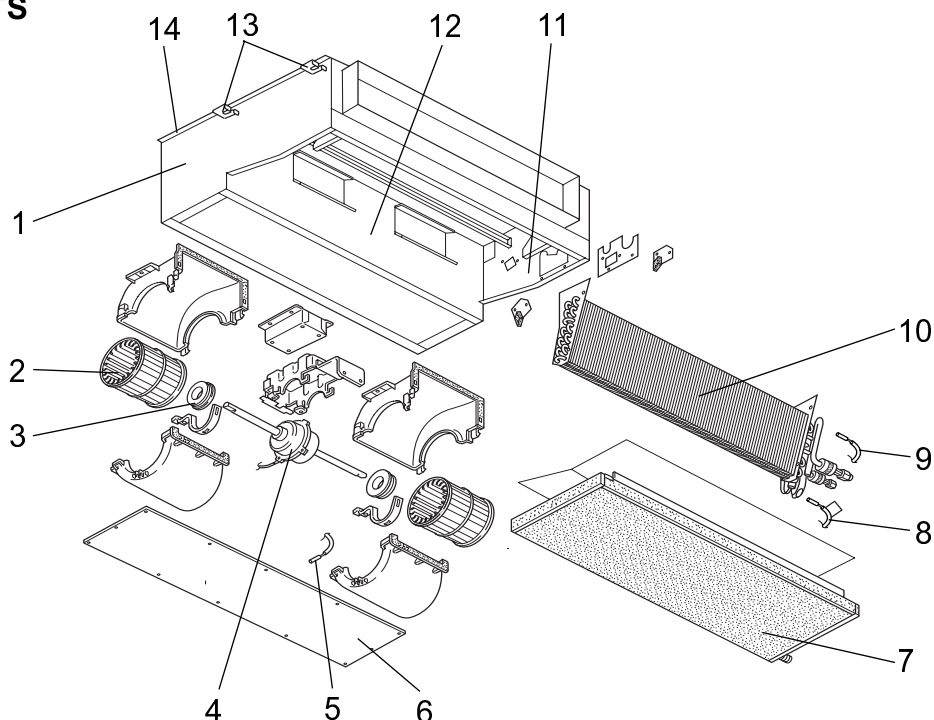


WIRED REMOTE
CONTROLLER

CONTENTS

1. PART NAMES AND FUNCTIONS	3
2. SPECIFICATIONS	5
3. OUTLINES AND DIMENSIONS	8
4. WIRING DIAGRAM	9
5. REFRIGERANT SYSTEM DIAGRAM	10
6. TROUBLESHOOTING	11
7. DISASSEMBLY PROCEDURE	18
8. PARTS LIST	21
9. OPTIONAL PARTS	23

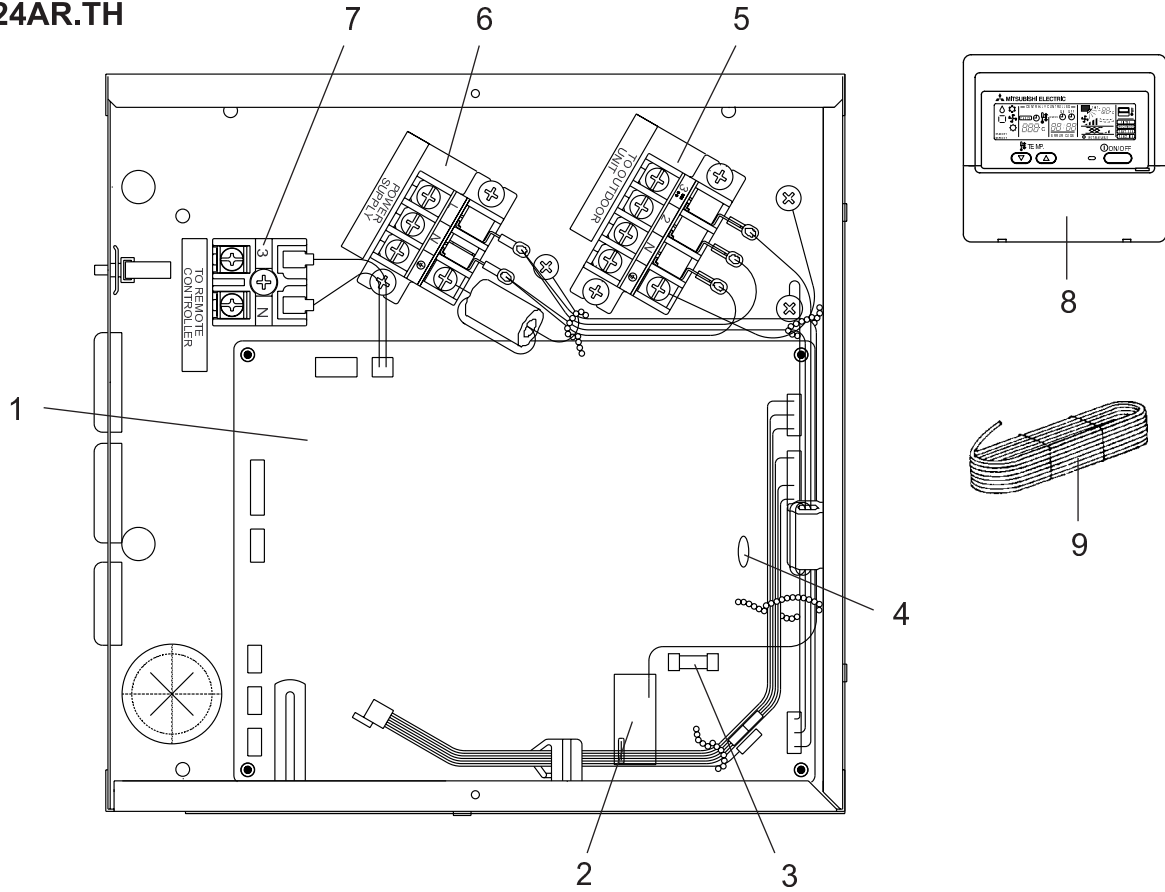
**INDOOR UNIT
STRUCTURAL PARTS
SEZ-A12AR.TH
SEZ-A18AR.TH
SEZ-A24AR.TH**



Part number that is circled is not shown in the illustration.

No.	Parts No.	Parts name	Specification	Q'ty/set			Remarks (Drawing No.)	Wiring Diagram Symbol	Recom- mended Q'ty	Price	
				SEZ-						Unit	Amount
				A12AR.TH	A18AR.TH	A24AR.TH					
1	E07 039 086	LEFT SIDE PANEL		1	1	1					
2	E07 039 500	SIROCCO FAN		2	2	2					
3	E02 179 505	FAN MOTOR RUBBER MOUNT		2	2	2	<2PCS/SET>				
4	E07 039 300	FAN MOTOR	PK6V19-EF	1				MF			
	E07 040 300	FAN MOTOR	PK6V32-EF		1			MF			
	E07 041 300	FAN MOTOR	PK6V50-EF			1		MF			
5	E07 143 308	ROOM TEMPERATURE THERMISTOR		1	1	1		RT11			
6	E07 039 000	FRONT PANEL		1	1	1					
7	E07 039 700	DRAIN PAN		1	1	1					
8	E07 143 309	CONDENSER / EVAPORATOR TEMPERATURE THERMISTOR		1	1	1		RT13			
9	E07 136 307	PIPE TEMPERATURE THERMISTOR / LIQUID		1	1	1		RT12			
10	E07 143 620	INDOOR HEAT EXCHANGER		1							
	E07 144 620	INDOOR HEAT EXCHANGER			1						
	E07 145 620	INDOOR HEAT EXCHANGER				1					
11	E07 143 085	RIGHT SIDE PANEL		1	1	1					
12	E07 143 293	SEPARATOR ASSY		1	1	1					
13	E07 039 809	LEFT LEG		2	2	2					
14	E07 039 290	BASE		1	1	1					
15	E07 039 808	RIGHT LEG		2	2	2					

**INDOOR UNIT
ELECTRICAL PARTS
SEZ-A12AR.TH
SEZ-A18AR.TH
SEZ-A24AR.TH**



Part numbers that is circled is not shown in the illustration.

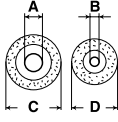
No.	Parts No.	Parts name	Specification	Q'ty/set			Remarks (Drawing No.)	Wiring Diagram Symbol	Recom- mended Q'ty	Price	
				SEZ-						Unit	Amount
				A12AR.TH	A18AR.TH	A24AR.TH					
1	E07 143 447	INDOOR CONTROLLER BOARD		1				I.B			
	E07 144 447	INDOOR CONTROLLER BOARD			1			I.B			
	E07 145 447	INDOOR CONTROLLER BOARD				1		I.B			
2	E07 140 340	COMPRESSOR CONTACTOR		1	1	1		52C			
3	E02 127 382	FUSE	250/3.15A	1	1	1		FUSE			
4	E02 661 385	VARISTOR		1	1	1		ZNR1			
5	E02 257 375	TERMINAL BLOCK	4P	1	1	1		TB			
6	E02 367 377	TERMINAL BLOCK	3P	1	1	1		TB			
7	E02 007 375	TERMINAL BLOCK	2P	1	1	1		TB			
8	E07 136 426	REMOTE CONTROLLER		1	1	1		R.B			
9	E07 018 089	REMOTE CONTROLLER CABLE		1	1	1					
⑩	E07 039 449	CONTROLLER COVER		1	1	1					

9

OPTIONAL PARTS

9-1. REFRIGERANT PIPES

The air conditioner has flared connections its indoor and outdoor sides.
Please use the optional extension pipe as follows.

Applied unit	Models	Pipe length	Pipe size O.D.mm (in.)				Additional refrigerant charge R410A (g)	
			Cross-section	A-Gas	B-liquid	Insulation		
						C		D
SEZ-A12AR.TH	MAC-680PI	3m		$\phi 9.52$ (3/8)	$\phi 6.35$ (1/4)	$\phi 27$	$\phi 21$	0
	MAC-681PI	5m						60
	MAC-682PI	7m						150
	MAC-683PI	10m						300
	MAC-684PI	15m						
SEZ-A18AR.TH	MAC-670PI	3m		$\phi 12.7$ (1/2)	$\phi 6.35$ (1/4)	$\phi 31$	$\phi 27$	0
	MAC-671PI	5m	40					
	MAC-672PI	7m	100					
	MAC-673PI	10m	200					
	MAC-674PI	15m						
SEZ-A24AR.TH	MAC-860PI	3m		$\phi 15.88$ (5/8)				0
	MAC-861PI	5m	40					
	MAC-862PI	7m	100					
	MAC-863PI	10m	200					
	MAC-864PI	15m						

9-2. AIR FILTER

Applied unit	Models
SEZ-A12AR.TH SEZ-A18AR.TH SEZ-A24AR.TH	PAC - 1000 FT

Mr. SLIM™

 **MITSUBISHI ELECTRIC CORPORATION**
HEAD OFFICE : MITSUBISHI DENKI BLDG., 2-2-3, MARUNOUCHI, CHIYODA-KU, TOKYO 100-8310, JAPAN