

TECHNICAL & SERVICE MANUAL

Series SLZ Ceiling Cassettes R410A

Indoor unit
[Model names]

SLZ-A09AR

SLZ-A12AR

SLZ-A18AR

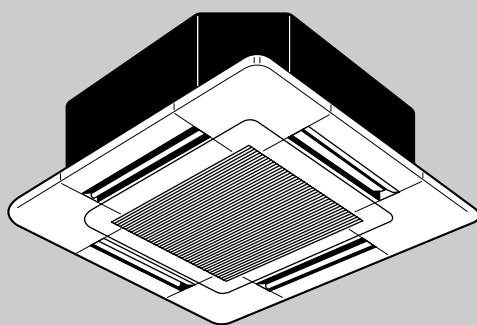
[Service Ref.]

SLZ-A09AR.TH

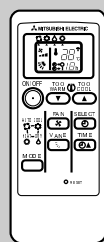
SLZ-A12AR.TH

SLZ-A18AR.TH

•This manual does not cover outdoor units. When servicing them, please refer to the service manual No.OC304 and this manual in a set.



INDOOR UNIT

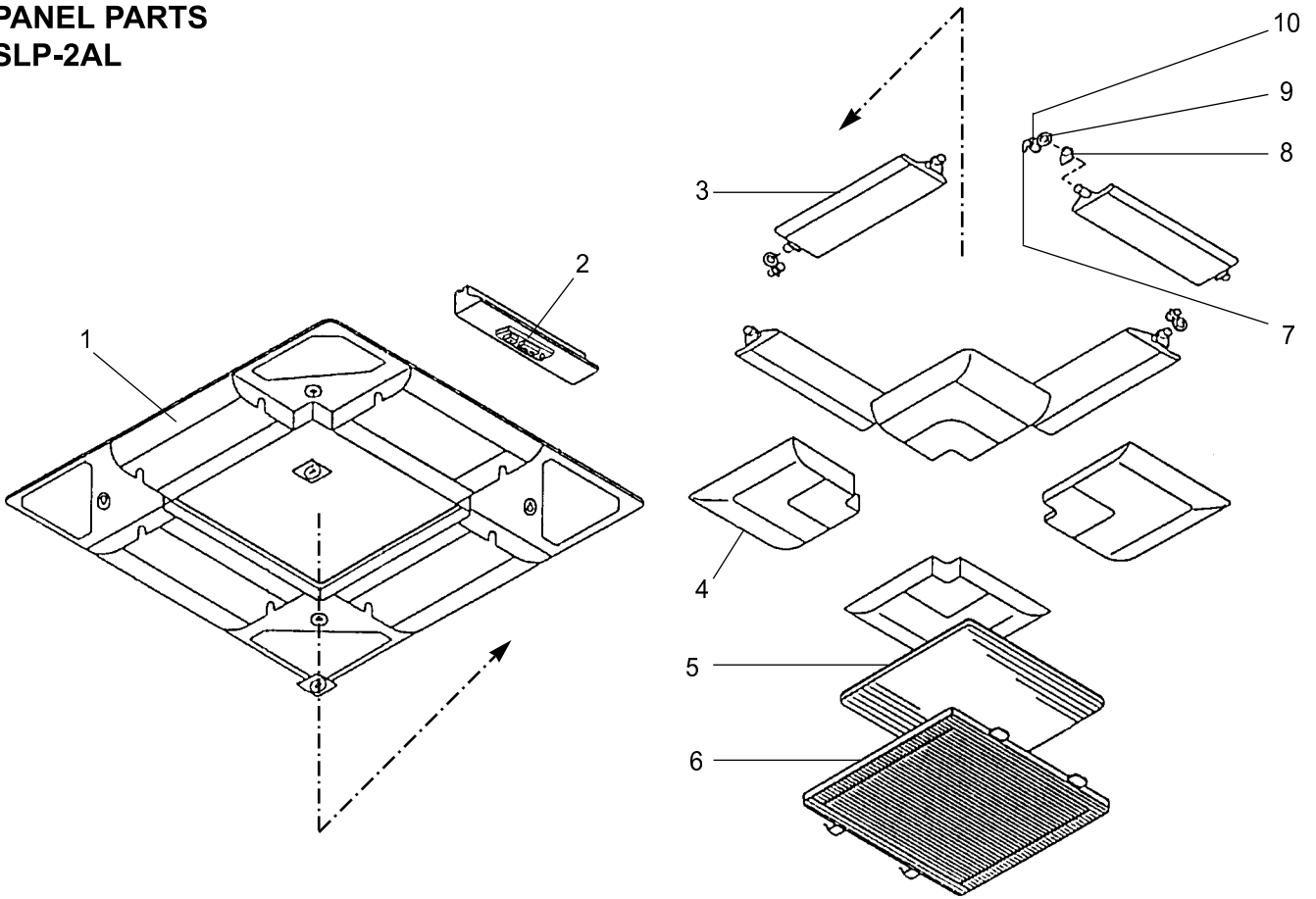


REMOTE CONTROLLER

CONTENTS

1. PART NAMES AND FUNCTIONS	2
2. SPECIFICATIONS	3
3. OUTLINES AND DIMENSIONS	5
4. WIRING DIAGRAM	7
5. REFRIGERANT SYSTEM DIAGRAM	8
6. TROUBLESHOOTING	9
7. 4-WAY AIR FLOW SYSTEM	16
8. DISASSEMBLY PROCEDURE	18
9. PARTS LIST	21

**PANEL PARTS
SLP-2AL**



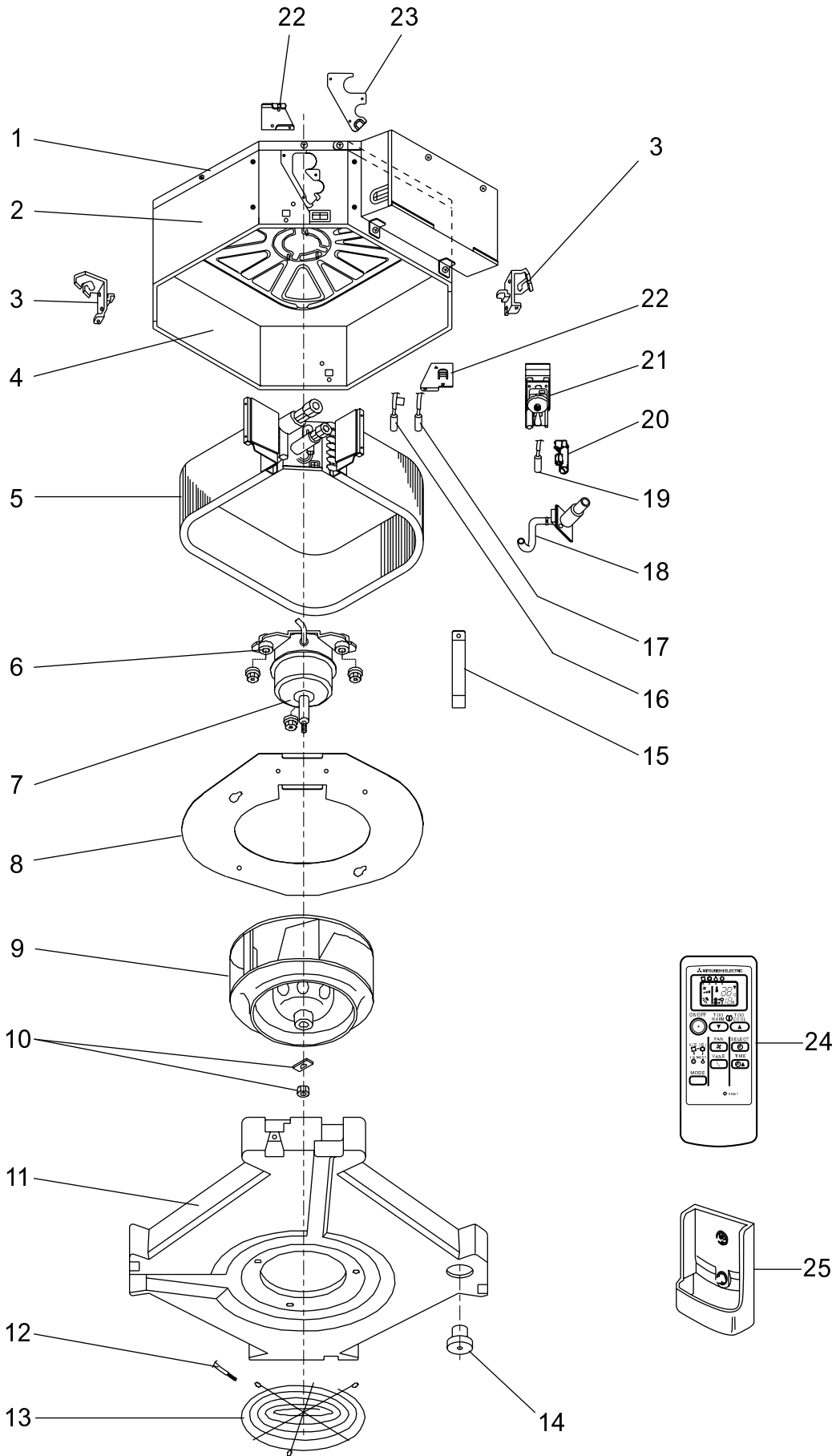
No.	Parts No.	Parts name	Specification	Q'ty/set	Remarks (Drawing No.)	Wiring Diagram Symbol	Recom- mended Q'ty	Price	
				SLP-2AL				Unit	Amount
1	E07 103 003	AIR OUTLET GRILLE		1					
2	E07 103 317	WIRELSS REMOTE CONTROL BOARD		1		W.B			
3	E07 103 037	AUTO VANE		4					
4	E07 103 975	CORNER PANEL		4					
5	E07 103 100	AIR FILTER		1					
6	E07 103 010	INTAKE GRILLE		1					
7	E07 103 303	VANE MOTOR		4		MV			
8	E07 103 044	VANE BUSH		8					
9	E07 103 031	GEAR (V)		4					
10	E07 103 032	GEAR (M)		4					

FUNCTIONAL PARTS

SLZ-A09AR.TH

SLZ-A12AR.TH

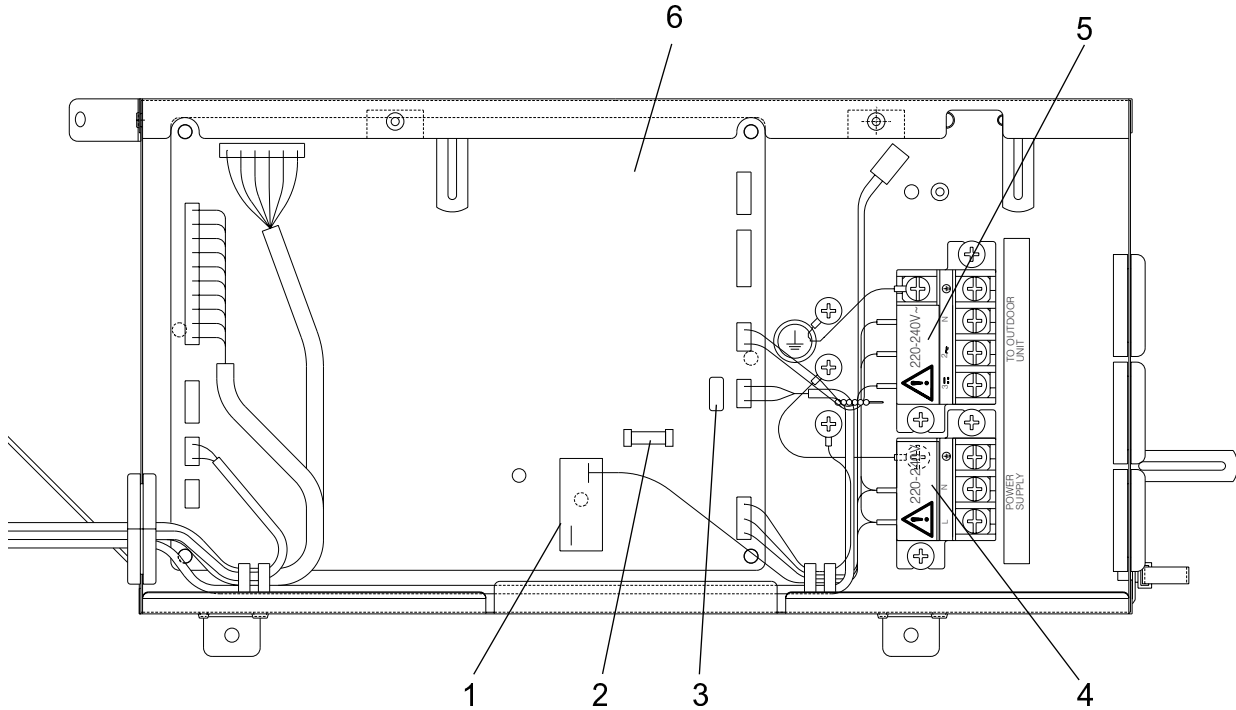
SLZ-A18AR.TH





No.	Parts No.	Parts name	Specification	Q'ty/set			Remarks (Drawing No.)	Wiring Diagram Symbol	Recom- mended Q'ty	Price	
				SLZ-						Unit	Amount
				A09	A12	A18					
1	E07 104 290	BASE		1	1	1					
2	E07 104 124	DRUM-1		1	1	1					
3	E07 104 808	LEG-1		2	2	2					
4	E07 105 124	DRUM-2		1	1	1					
5	E07 140 620	INDOOR HEAT EXCHANGER		1							
	E07 141 620	INDOOR HEAT EXCHANGER			1						
	E07 142 620	INDOOR HEAT EXCHANGER				1					
6	E07 104 105	MOTOR MOUNT		3	3	3	3PCS/SET				
7	E07 140 300	INDOOR FAN MOTOR	PK6V15-LA	1				MF			
	E07 105 300	INDOOR FAN MOTOR	PK6V20-LE		1			MF			
	E07 106 300	INDOOR FAN MOTOR	PK6V20-LF			1		MF			
8	E07 104 816	FLAT PLATE		1	1	1					
9	E07 104 502	TURBO FAN		1	1	1					
10	E07 104 097	SPL WASHER		1	1	1					
11	E07 104 700	DRAIN PAN		1	1	1					
12	E07 104 308	ROOM TEMPERATURE THERMISTOR		1	1	1		RT11			
13	E07 104 520	FAN GUARD		1	1	1					
14	E07 104 524	DRAIN PLUG		1	1	1					
15	E07 104 648	COIL SUPPORT		1	1	1					
16	E07 140 309	CONDENSER / EVAPORATOR TEMPERATURE THERMISTOR		1	1	1		RT13			
17	E07 104 307	PIPE TEMPERATURE THERMISTOR / LIQUID		1	1	1		RT12			
18	E07 104 702	DRAIN HOSE		1	1	1					
19	E07 104 266	DRAIN SENSOR		1	1	1		DS			
20	E07 104 241	SENSOR HOLDER		1	1	1					
21	E07 104 355	DRAIN PUMP		1	1	1		DP			
22	E07 104 809	LEG-2		2	2	2					
23	E07 104 006	COVER (DRUM)		1	1	1					
24	E07 140 426	WIRELESS REMOTE CONTROLLER		1	1	1		W.R			
25	E02 527 083	REMOTE CONTROLLER HOLDER		1	1	1					

ELECTRICAL PARTS
SLZ-A09AR.TH
SLZ-A12AR.TH
SLZ-A18AR.TH



No.	Parts No.	Parts name	Specification	Q'ty/set			Remarks (Drawing No.)	Wiring Diagram Symbol	Recom- mended Q'ty	Price	
				A09	A12	A18				Unit	Amount
1	E07 140 340	COMPRESSOR CONTACTOR		1	1	1		52C			
2	E02 127 382	FUSE	250V 3.15A	1	1	1		FUSE			
3	E02 661 385	VARISTOR		1	1	1		ZNR1			
4	E02 367 377	TERMINAL BLOCK		1	1	1	3P	TB			
5	E02 257 375	TERMINAL BLOCK		1	1	1	4P	TB			
6	E07 140 447	INDOOR CONTROLLER BOARD		1				I.B			
	E07 141 447	INDOOR CONTROLLER BOARD			1			I.B			
	E07 142 447	INDOOR CONTROLLER BOARD				1		I.B			

MITSUBISHI ELECTRIC CORPORATION

HEAD OFFICE : MITSUBISHI DENKI BLDG., 2-2-3, MARUNOUCHI, CHIYODA-KU, TOKYO 100-8310, JAPAN