

SPLIT-TYPE, HEAT PUMP AIR CONDITIONERS  
SPLIT-TYPE, AIR CONDITIONERS

March 2013

No.OC305  
REVISED EDITION-A

# TECHNICAL & SERVICE MANUAL

**Series PKA**

**Wall Mounted**

**R407C/R410A**

Indoor unit  
[Model names]

PKA-RP1.6GAL

PKA-RP2GAL

[Service Ref.]

**PKA-RP1.6GAL**

**PKA-RP2GAL**

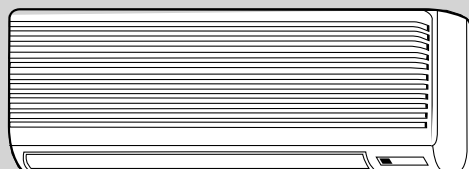
Revision :

- The indicated No. of CORNER COVER (page 42) has been corrected in REVISED EDITION-A.
- Some descriptions have been modified.

- Please void OC305.

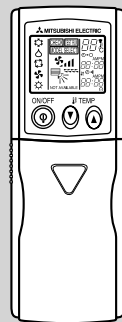
Note :

- This manual dose not cover outdoor units. When servicing them, please refer to service manual OC261 REVISED EDITION-B, OC285, OC294 REVISED EDITION-A, OC298 and this manual in a set.
- RoHS compliant products have <G> mark on the spec name plate.



Indoor unit

Model name indication

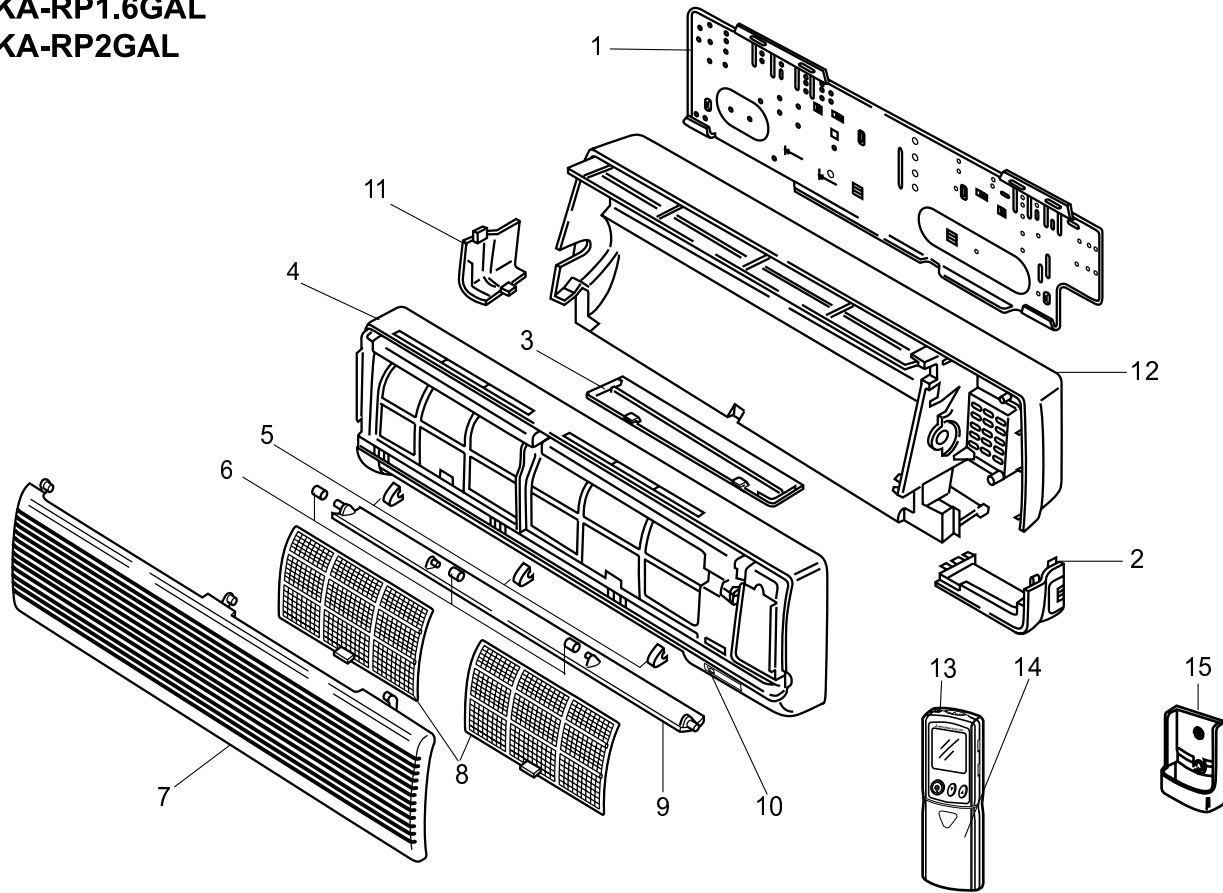


Remote controller

## CONTENTS

1. COMBINATION OF INDOOR AND OUTDOOR UNITS	2
2. SAFETY PRECAUTION	3
3. PART NAMES AND FUNCTIONS	6
4. SPECIFICATIONS	8
5. DATA	11
6. OUTLINES AND DIMENSIONS	26
7. WIRING DIAGRAM	27
8. REFRIGERANT SYSTEM DIAGRAM	28
9. TROUBLESHOOTING	29
10. DISASSEMBLY PROCEDURE	39
11. RoHS PARTS LIST	42
12. OPTIONAL PARTS	BACK COVER

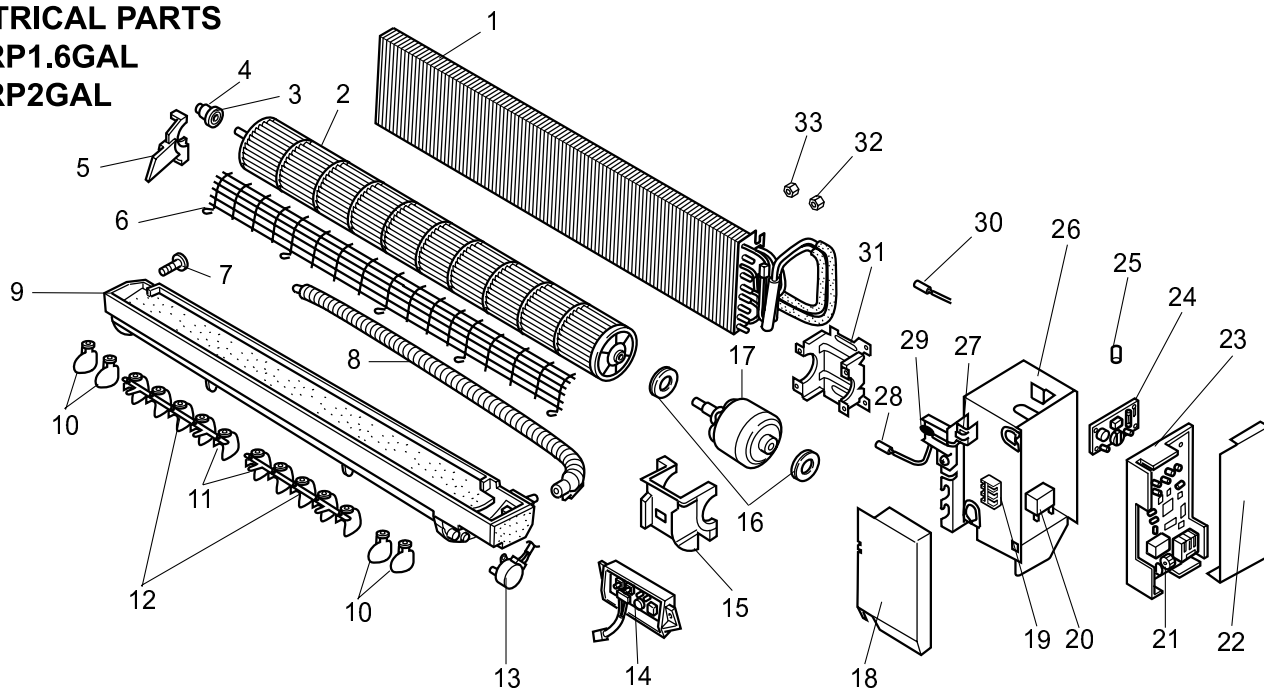
STRUCTURAL PARTS  
PKA-RP1.6GAL  
PKA-RP2GAL



No.	RoHS	Parts No.	Parts Name	Specifications	Q'ty/set		Remarks (Drawing No.)	Wiring Diagram Symbol	Recom- mended Q'ty
					PKA-RP1.6GAL	PKA-RP2GAL			
1	G	RO1 08Y 808	BACK PLATE		1				
2	G	RO1 10Y 658	CORNER COVER - R		1				
3	G	RO1 08Y 623	UNDER COVER		1				
4	G	RO1 89Y 651	FRONT PANEL		1				
5	G	RO1 08Y 096	SCREW CAP		3				
6	G	RO1 08Y 092	VANE SLEEVE		1				
7	G	RO1 08Y 691	FRONT GRILLE		1				
8	G	RO1 A32 500	AIR FILTER		2				
9	G	RO1 08Y 002	AUTO VANE		1				
10	G	RO1 E18 658	RECEIVING UNIT		1			RU	
11	G	RO1 08Y 658	CORNER COVER - L		1				
12	G	RO1 08Y 635	BOX ASSEMBLY		1				
13	G	T7W E10 714	WIRELESS REMOTE CONTROLLER		1				
14	G	RO1 E03 049	WIRELESS REMOTE CONTROLLER DOOR		1				
15	G	RO1 E00 075	WIRELESS REMOTE CONTROLLER HOLDER		1				

# RoHS PARTS LIST

## ELECTRICAL PARTS PKA-RP1.6GAL PKA-RP2GAL



No.	RoHS	Parts No.	Parts Name	Specifications	Q'ty/set		Remarks (Drawing No.)	Wiring Diagram Symbol	Recom- mended Q'ty
					PKA-PR1.6GAL	PKA-RP2GAL			
1	G	T7W E 50 480	HEAT EXCHANGER		1				
2	G	R01 E 22 114	LINE FLOW FAN		1				
3	G	R01 08Y 102	BEARING MOUNT		1				
4	G	R01 E04 103	SLEEVE BEARING		1				
5	G	R01 08Y 106	BEARING SUPPORT		1				
6	G	T7W A01 675	FAN GUARD		1				
7	G	R01 07Y 524	DRAIN PLUG		1				
8	G	R01 08Y 527	DRAIN HOSE		1				
9	G	T7W E 14 530	NOZZLE		1				
10	G	R01 10Y 038	GUIDE VANE		4				
11	G	R01 08Y 038	GUIDE VANE		10				
12	G	R01 08Y 059	ARM		2				
13	G	R01 E 13 223	VANE MOTOR		1			MV	
14	G	R01 50J 317	WIRELESS ADAPTER CONTROLLER BOARD		1			W.B	
15	G	R01 08Y 135	MOTOR COVER		1				
16	G	R01 08Y 105	RUBBER MOUNT		2				
17	G	T7W A02 762	FAN MOTOR	PM4V 30-K	1			MF	
18	G	—	TERMINAL COVER		1	(BG02V195H10)			
19	G	T7W E 13 716	TERMINAL BLOCK	3P(S1, S2, S3)	1			TB4	
20	G	R01 E 13 255	CAPACITOR	2.0μF 440V	1			C	
21	G	T7W E 36 310	INDOOR CONTROLLER BOARD		1			I.B	
22	G	—	CONTROLLER COVER		1	(BG02V194H05)			
23	G	—	CONTROLLER CASE		1	(BG 25B 573H06)			
24	G	T7W E 01 313	POWER BOARD		1			P.B	
25	G	T7W E 00 239	FUSE	250V 4A	1			F1	
26	G	—	ELECTRICAL PARTS COVER		1	(BG00V196G41)			
27	G	—	SENSOR HOLDER		1	(RG 25C 546H06)			
28	G	R01 H15 202	CONDENSER / EVAPORATOR TEMPERATURE THERMISTOR		1			TH5	
29	G	R01 N18 202	ROOM TEMPERATURE THERMISTOR		1			TH1	
30	G	T7W E 06 202	PIPE TEMPERATURE THERMISTOR		1			TH2	
31	G	R01 08Y 130	MOTOR SUPPORT		1				
32	G	T7W E 02 457	FLARE NUT	1/2	1				
33	G	T7W E 01 457	FLARE NUT	1/4	1				

# 12

# OPTIONAL PARTS

## 12-1. Wired Remote Controller (with terminal bed)

Part No.	PAR-20MAAT-E
----------	--------------

## 12-2. Program Timer

Part No.	PAC-SC32PTA
----------	-------------

## 12-3. Remote Sensor

Part No.	PAC-SE41TS-E
----------	--------------

## 12-4. Remote Operation Adapter

Part No.	PAC-SF40RM-E
----------	--------------

## 12-5. Remote ON/OFF Adapter

Part No.	PAC-SE55RA-E
----------	--------------

# MITSUBISHI ELECTRIC CORPORATION

HEAD OFFICE : TOKYO BLDG., 2-7-3, MARUNOUCHI, CHIYODA-KU TOKYO 100-8310, JAPAN