

TECHNICAL & SERVICE MANUAL

R410A

Outdoor unit

[model names]

PUHZ-RP1.6VHA

PUHZ-RP2VHA

PUHZ-RP2.5VHA

PUHZ-RP3VHA

PUHZ-RP4VHA

PUHZ-RP5VHA

PUHZ-RP6VHA

PUHZ-RP4YHA

PUHZ-RP5YHA

PUHZ-RP6YHA

[Service Ref.]

PUHZ-RP1.6VHA

PUHZ-RP2VHA

PUHZ-RP2.5VHA

PUHZ-RP2.5VHA₁

PUHZ-RP3VHA

PUHZ-RP3VHA₁

PUHZ-RP4VHA

PUHZ-RP4VHA₁

PUHZ-RP5VHA

PUHZ-RP5VHA₁

PUHZ-RP6VHA

PUHZ-RP6VHA₁

PUHZ-RP4YHA

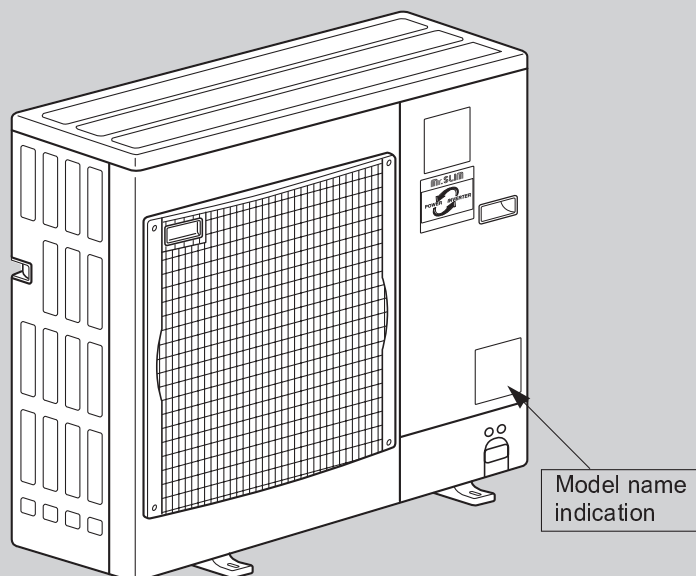
PUHZ-RP5YHA

PUHZ-RP6YHA

Revision:

- PUHZ-RP4YHA, PUHZ-RP5YHA, PUHZ-RP6YHA are added in REVISED EDITION-D.
- Some descriptions have been modified.

- Please void OC294 REVISED EDITION-C.

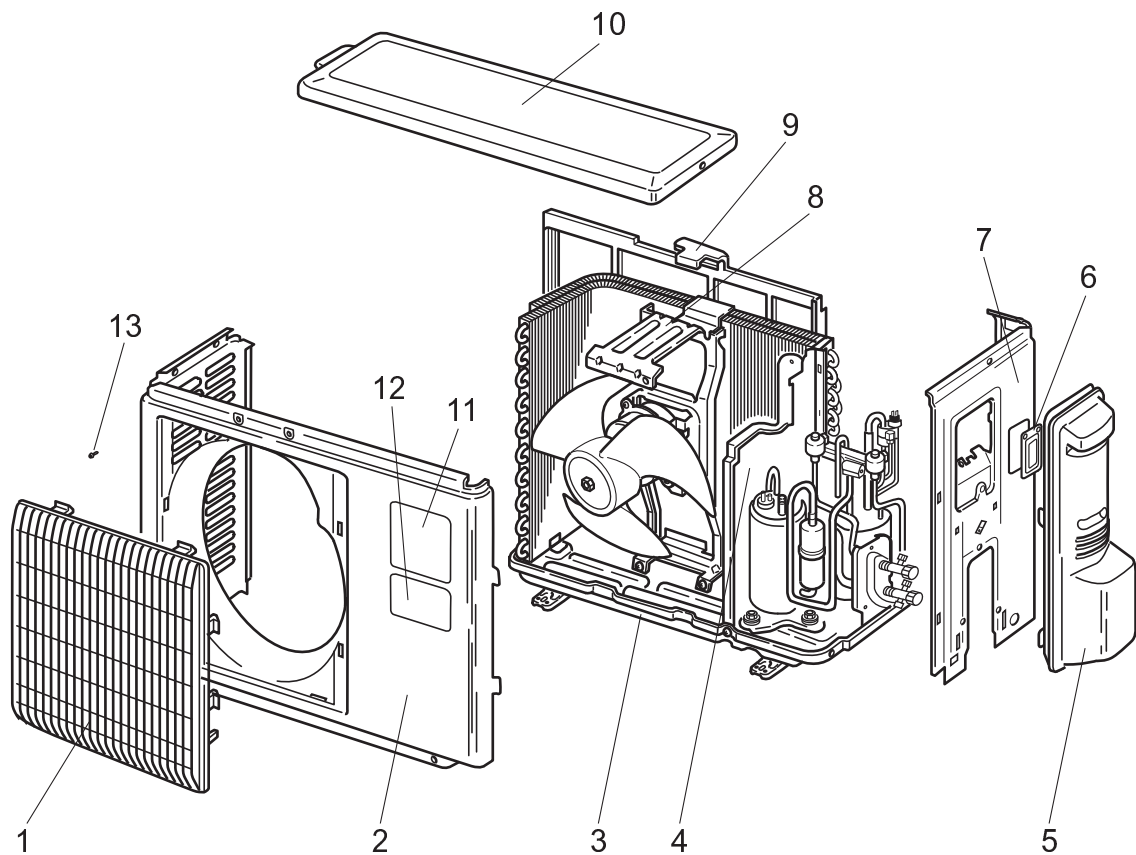


PUHZ-RP2.5VHA
 PUHZ-RP3VHA

CONTENTS

1. TECHNICAL CHANGES	2
2. SAFETY PRECAUTION	3
3. COMBINATION OF INDOOR AND OUTDOOR UNITS	7
4. PART NAMES AND FUNCTIONS	7
5. SPECIFICATIONS	8
6. DATA	12
7. OUTLINES AND DIMENSIONS	14
8. WIRING DIAGRAM	17
9. WIRING SPECIFICATIONS	20
10. REFRIGERANT SYSTEM DIAGRAM	22
11. TROUBLESHOOTING	28
12. DISASSEMBLY PROCEDURE	81
13. PARTS LIST	108
14. OPTIONAL PARTS	Back Cover

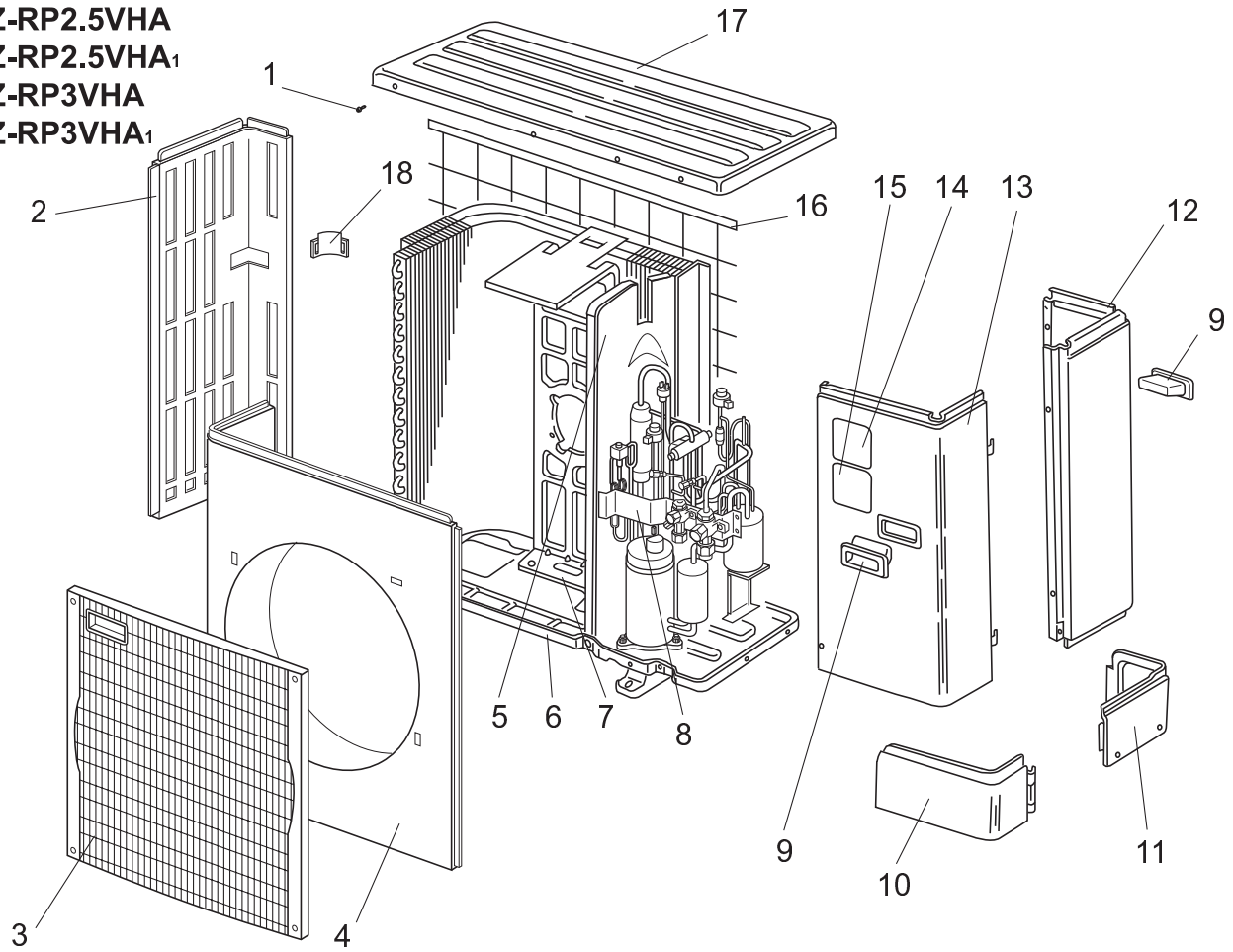
STRUCTURAL PARTS
PUHZ-RP1.6VHA
PUHZ-RP2VHA



No.	Part No.	Part Name	Specification	Q'ty/set	Remarks (Drawing No.)	Wiring Diagram Symbol	Recom- mended Q'ty	Price	
				PUHZ-RP1.6VHA PUHZ-RP2VHA				Unit	Amount
1	R01 E10 691	GRILLE		1					
2	R01 E02 668	FRONT PANEL		1					
3	R01 E15 686	BASE ASSY		1					
4	—	SEPARATOR		1	(SU00B229G35)				
5	R01 E02 667	SERVICE PANEL		1					
6	R01 E00 518	SERVICE PANEL		1					
7	R01 E02 682	BACK PANEL		1					
8	R01 E09 130	MOTOR SUPPORT		1					
9	R01 E01 684	CONDENSER NET		2					
10	T7W E01 641	TOP PANEL		1					
11	—	LABEL (MITSUBISHI)		1	(DG79R130H01)				
12	—	LABEL (INVERTER)		1	(BK79C208G01)				
13	—	F.ST SCREW	(4×10)	12	(Z504K189H37)				

STRUCTURAL PARTS

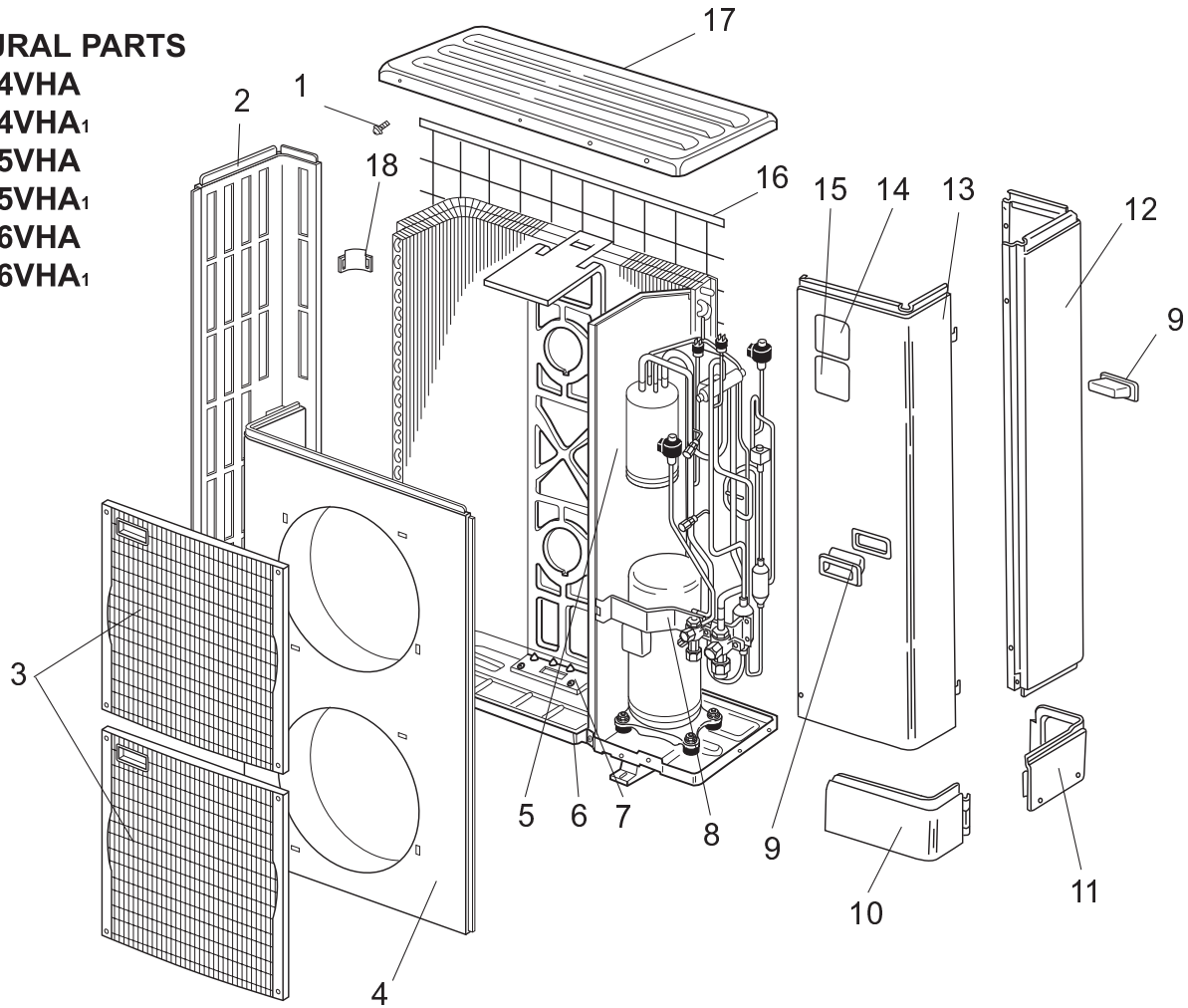
PUHZ-RP2.5VHA
 PUHZ-RP2.5VHA₁
 PUHZ-RP3VHA
 PUHZ-RP3VHA₁



No.	Part No.	Part Name	Specification	Q'ty/set	Remarks (Drawing No.)	Wiring Diagram Symbol	Recom- mended Q'ty	Price	
				PUHZ-RP 2.5, 3 VHA, VHA ₁				Unit	Amount
1	—	F.ST SCREW	(5X10)	31	(DG12F536H10)				
2	R01 E01 662	SIDE PANEL (L)		1					
3	T7W E02 691	FAN GRILLE		1					
4	T7W E01 667	FRONT PANEL		1					
5	—	SEPARATOR		1	(BK00C143G25)				
6	R01 E13 686	BASE ASSY		1					
7	R01 E06 130	MOTOR SUPPORT		1					
8	—	VALVE BED ASSY		1	(BK00C142G07)				
9	R01 30L 655	HANDLE		2					
10	R01 E02 658	COVER PANEL (FRONT)		1					
11	R01 E01 658	COVER PANEL (REAR)		1					
12	R01 E03 661	SIDE PANEL (R)		1					
13	T7W E02 668	SERVICE PANEL		1					
14	—	LABEL (MITSUBISHI)		1	(DG79R130H01)				
15	—	LABEL (INVERTER)		1	(BK79C208G02)				
16	R01 E00 698	REAR GUARD		1					
17	R01 E04 641	TOP PANEL		1					
18	R01 E00 655	HANDLE		1					

STRUCTURAL PARTS

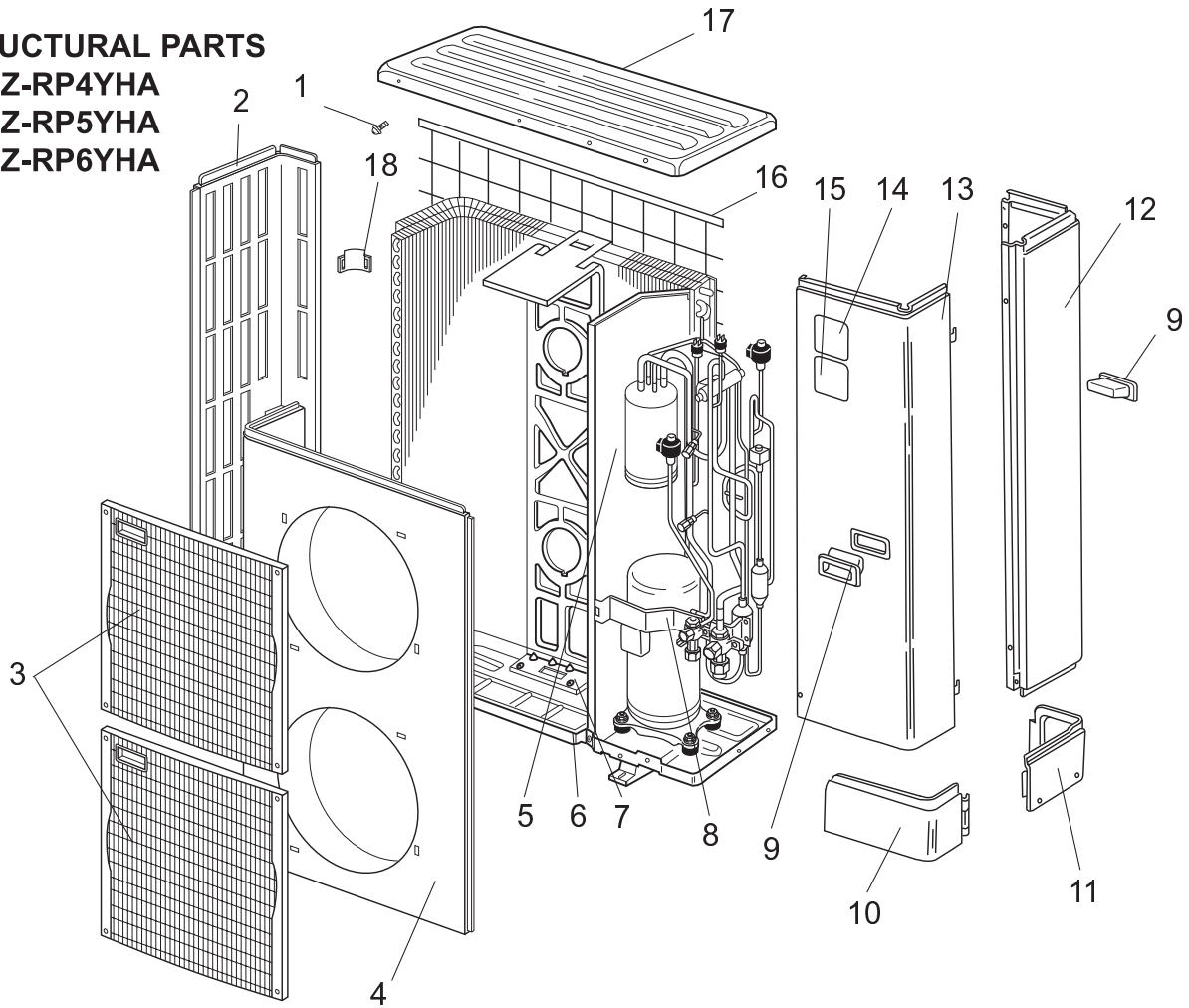
PUHZ-RP4VHA
 PUHZ-RP4VHA₁
 PUHZ-RP5VHA
 PUHZ-RP5VHA₁
 PUHZ-RP6VHA
 PUHZ-RP6VHA₁



No.	Part No.	Part Name	Specificatio	Q'ty/set			Remarks (Drawing No.)	Wining Diagram Symbol	Recom- mended Q'ty	Price	
				PUHZ-RP						Unit	Amount
				4	5	6					
				VHA, VHA ₁							
1	—	F.ST SCREW	(5X10)	38	38	38	(DG12F536H10)				
2	R01 E02 662	SIDE PANEL (L)		1	1	1					
3	T7W E02 691	FAN GRILLE		2	2	2					
4	T7W E02 667	FRONT PANEL		1	1	1					
5	—	SEPARATOR		1	1	1	VHA (BK00C143G27) VHA ₁ (BK00C143G43)				
6	R01 E14 686	BASE ASSY		1	1	1					
7	R01 E07 130	MOTOR SUPPORT		1	1	1					
8	—	VALVE BED ASSY		1	1	1	(BK00C142G07)				
9	R01 30L 655	HANDLE		2	2	2					
10	R01 E00 658	COVER PANEL (FRONT)		1	1	1					
11	R01 E01 658	COVER PANEL (REAR)		1	1	1					
12	R01 E04 661	SIDE PANEL (R)		1	1	1					
13	T7W E03 668	SERVICE PANEL		1	1	1					
14	—	LABEL (MITSUBISHI)		1	1	1	(DG79R130H01)				
15	—	LABEL (INVERTER)		1	1	1	(BK79C208G02)				
16	R01 E01 698	REAR GUARD		1	1	1					
17	R01 E04 641	TOP PANEL		1	1	1					
18	R01 E00 655	HANDLE		1	1	1					

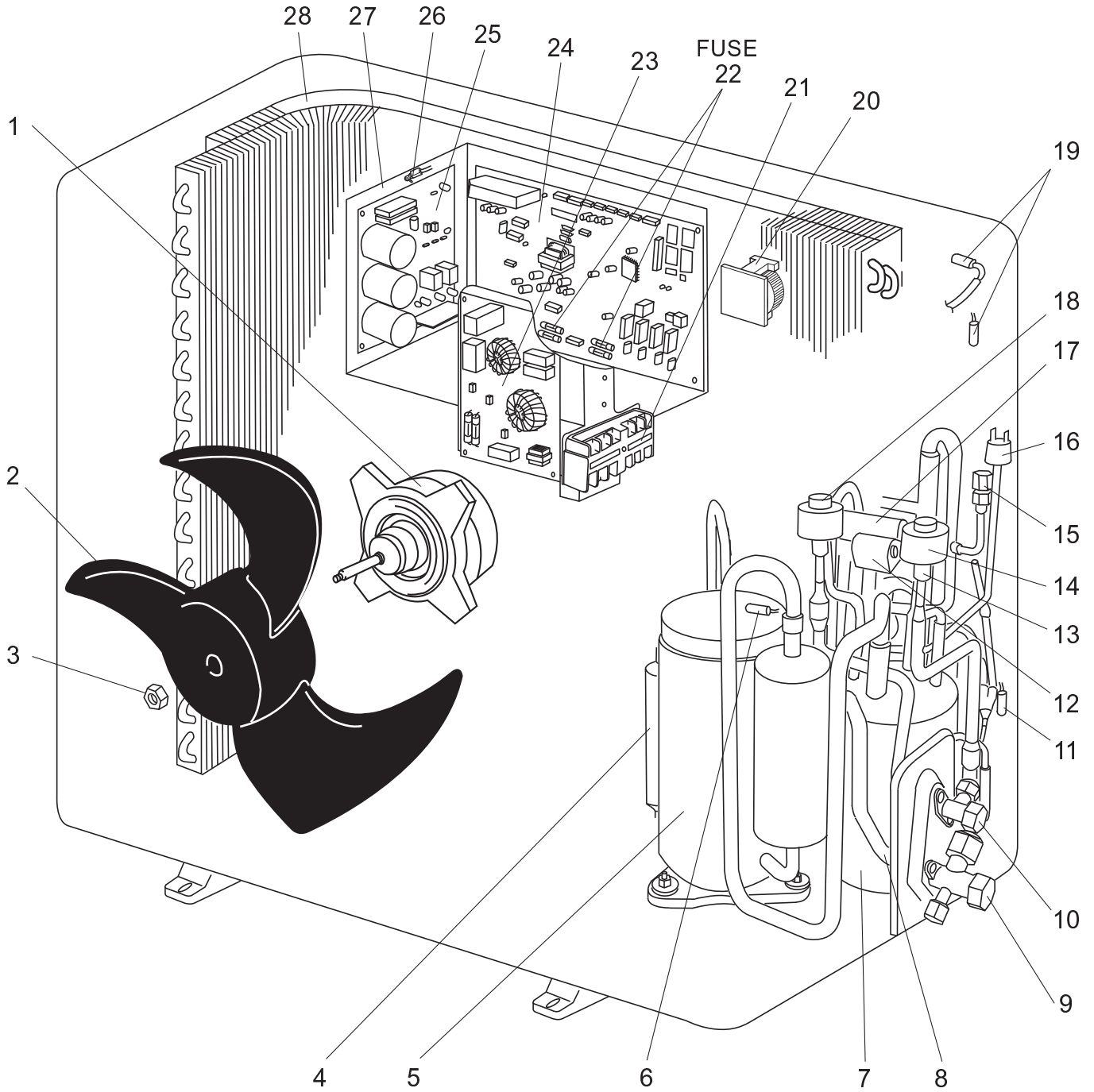
STRUCTURAL PARTS

PUHZ-RP4YHA
PUHZ-RP5YHA
PUHZ-RP6YHA



No.	Part No.	Part Name	Specificatio	Q'ty/set			Remarks (Drawing No.)	Wining Diagram Symbol	Recom- mended Q'ty	Price	
				PUHZ-RP						Unit	Amount
				4	5	6					
1	—	F.ST SCREW	(5X10)	38	38	38	(DG12F536H10)				
2	R01 E02 662	SIDE PANEL (L)		1	1	1					
3	T7W E02 691	FAN GRILLE		2	2	2					
4	T7W E02 667	FRONT PANEL		1	1	1					
5	—	SEPARATOR		1	1	1	YHA (BK00C409G01)				
6	R01 E14 686	BASE ASSY		1	1	1					
7	T7W E05 130	MOTOR SUPPORT		1	1	1					
8	—	VALVE BED ASSY		1	1	1	(BK00C142G16)				
9	R01 30L 655	HANDLE		2	2	2					
10	R01 E00 658	COVER PANEL (FRONT)		1	1	1					
11	R01 E01 658	COVER PANEL (REAR)		1	1	1					
12	T7W E15 661	SIDE PANEL (R)		1	1	1					
13	T7W E04 668	SERVICE PANEL		1	1	1					
14	—	LABEL (MITSUBISHI)		1	1	1	(DG79R130H01)				
15	—	LABEL (INVERTER)		1	1	1	(BK79C208G02)				
16	R01 E01 698	REAR GUARD		1	1	1					
17	R01 E08 641	TOP PANEL		1	1	1					
18	R01 E00 655	HANDLE		1	1	1					

FUNCTIONAL PARTS
PUHZ-RP1.6VHA
PUHZ-RP2VHA



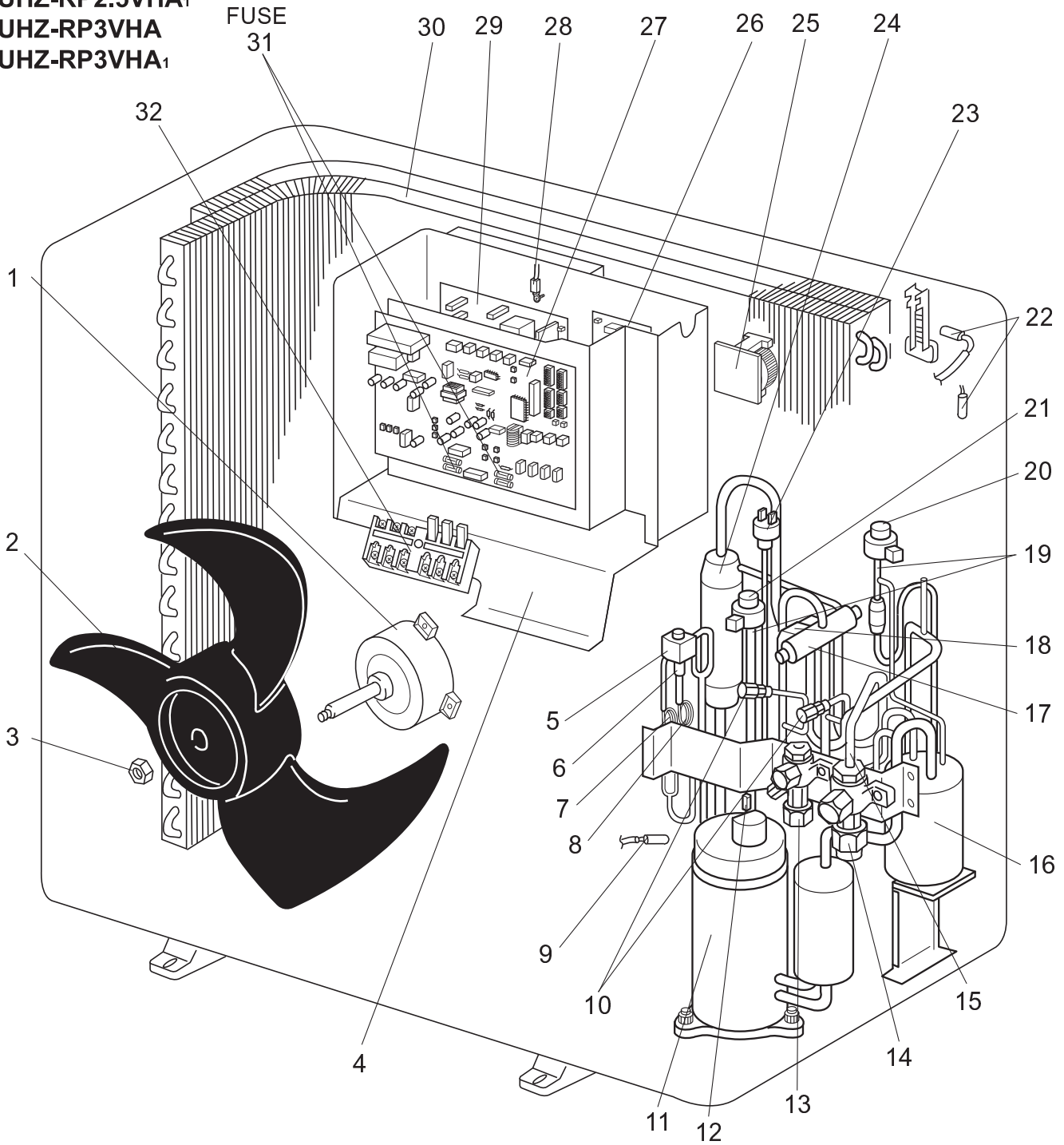


Part numbers that is circled is not shown in the figure.

No.	Part No.	Part Name	Specification	Q'ty/set	Remarks (Drawing No.)	Wining Diagram Symbol	Recom- mended Q'ty	Price	
				PUHZ-RP1.6VHA PUHZ-RP2VHA				Unit	Amount
1	R01 E30 221	FAN MOTOR		1		MF1			
2	R01 E02 115	PROPELLER		1					
3	R01 E04 097	NUT		1					
4	R01 E09 467	MUFFLER		1					
5	T97 420 210	MOTOR FOR COMPRESSOR	SNB130FLBH Including RUBBER MOUNT	1		MC			
6	R01 E03 201	THERMISTOR (DISCHARGE)		1		TH4			
7	R01 E15 440	POWER RECEIVER		1					
8	R01 30L 450	STRAINER		1					
9	R01 E06 411	STOP VALVE (GAS)	1/2	1					
10	R01 E06 410	STOP VALVE (LQUID)	1/4	1					
11	R01 E56 202	THERMISTOR (OUTDOOR PIPE)		1		TH3			
12	T7W E05 242	SOLENOID VALVE COIL (FOUR-WAY VALVE)		1		21S4			
13	R01 E39 401	EXPANSION VALVE		2					
14	R01 E16 242	LINEAR EXPANSION VALVE COIL		1		LEV(A)			
15	R01 E07 403	CHARGE PLUG		1					
16	T7W E02 208	HIGH PRESSURE SWITCH		1		63H			
17	R01 E07 403	FOUR-WAY VALVE		1					
18	R01 E17 242	LINEAR EXPANSION VALVE COIL		1		LEV(B)			
19	R01 E69 202	THERMISTOR (OUTDOOR 2-PHASE PIPE, OUTDOOR)		1		TH6,7			
20	R01 E06 259	REACTOR		1		ACL			
21	T7W E21 716	TERMINAL BLOCK	6P(L,N,⊕,S1,S2,S3)	1		TB1			
22	T7W 520 239	FUSE	250V 6.3A	4		FUSE1,2,3,4			
23	T7W E05 346	NOISE FILTER		1		N.F.			
24	T7W E21 315	CONTROLLER CIRCUIT BOARD		1		C.B.			
25	T7W E09 313	POWER CIRCUIT BOARD		1		P.B.			
26	R01 E65 202	THERMISTOR (HEAT SINK)		1		TH8			
27	—	ELECTRICAL PARTS BOX		1	(RG00N040G08)				
28	R01 E48 408	HEAT EXCHANGER		1					
②9	R01 E09 413	CHARGE PLUG		1					

FUNCTIONAL PARTS

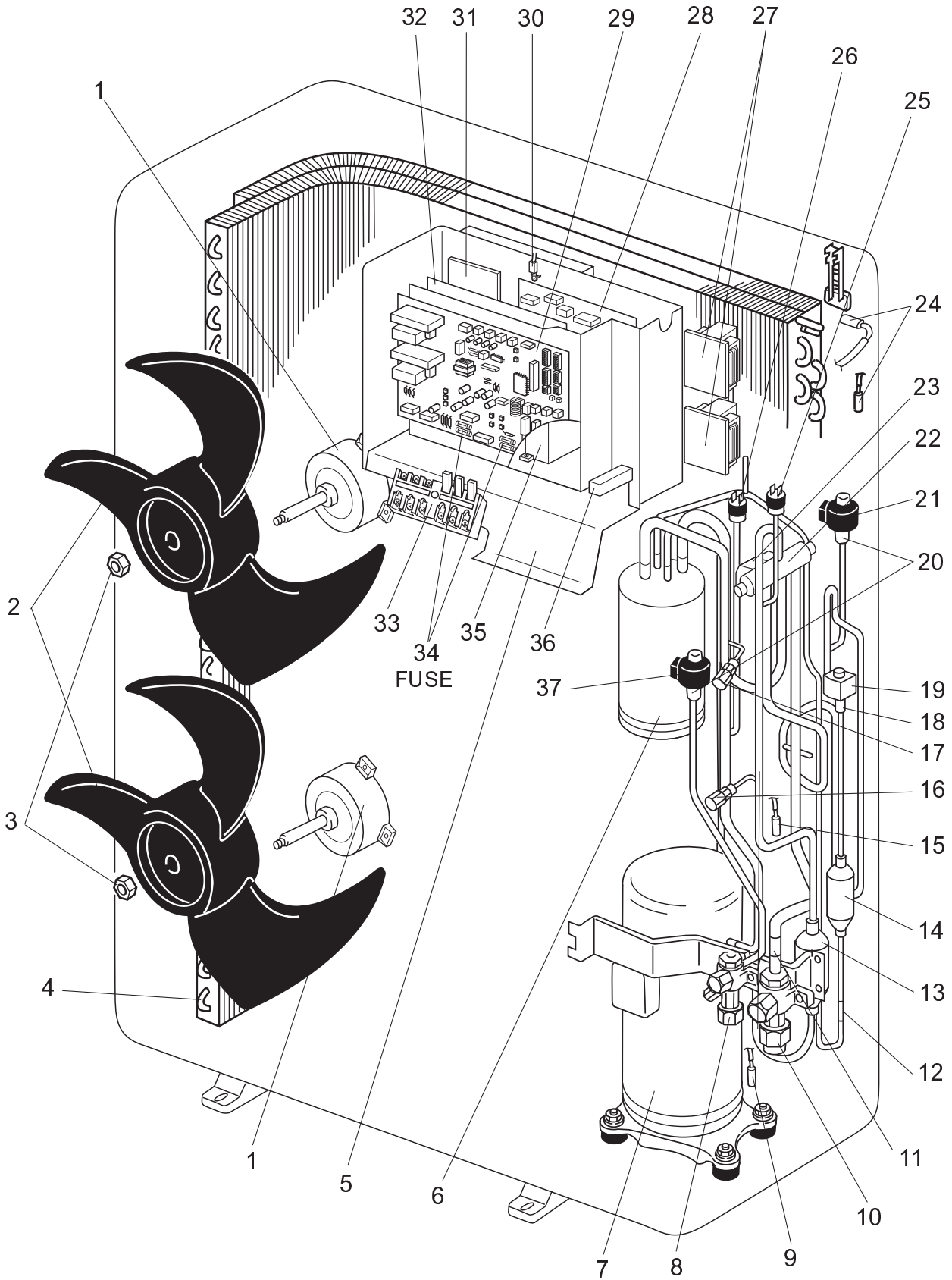
PUHZ-RP2.5VHA
PUHZ-RP2.5VHA₁
PUHZ-RP3VHA
PUHZ-RP3VHA₁





No.	Part No.	Part Name	Specification	Q'ty/set				Remarks (Drawing No.)	Wining Diagram Symbol	Recom- mended Q'ty	Price	
				PUHZ-RP							Unit	Amount
				2.5		3						
VHA	VHA ₁	VHA	VHA ₁									
1	R01 E28 221	FAN MOTOR		1	1	1	1		MF1			
2	R01 E01 115	PROPELLER		1	1	1	1					
3	R01 E02 097	NUT		1	1	1	1					
4	—	ELECTRICAL PARTS BOX		1	1	1	1	(BK00B055G19)				
5	T7W E00 242	SOLENOID VALVE COIL <BYPASS VALVE>		1	1	1	1		SV			
6	R01 E03 428	BYPASS VALVE		1	1	1	1					
7	R01 E15 425	CAPILLARY TUBE	φ4.0 X φ2.4 X 500mm	1	1	1	1					
8	R01 E16 425	CAPILLARY TUBE	φ2.5 X φ0.6 X 1000mm	1	1	1	1					
9	R01 17T 201	THERMISTOR (DISCHARGE)		1	1	1	1		TH4			
10	R01 E06 413	CHARGE PLUG		2		2						
	R01 E10 413	CHARGE PLUG			2		2					
11	T97 410 240	MOTOR FOR COMPRESSOR	TNB220FMBH Including RUBBER MOUNT	1	1	1	1		MC			
12	R01 E67 202	THERMISTOR (OUTDOOR PIPE)		1		1			TH3			
	R01 E71 202	THERMISTOR (OUTDOOR PIPE)			1		1		TH3			
13	R01 E05 411	STOP VALVE	3/8	1	1	1	1					
14	R01 E05 410	BALL VALVE	5/8	1	1	1	1					
15	R01 36L 450	STRAINER		1	1	1	1					
16	R01 E13 440	POWER RECEIVER		1	1	1	1					
17	R01 E05 403	FOUR-WAY VALVE		1	1	1	1					
18	T7W E05 242	SOLENOID VALVE COIL <FOUR-WAY VALVE>		1	1	1	1		21S4			
19	R01 E34 401	EXPANSION VALVE		2	2	2	2					
20	R01 E08 242	LINEAR EXPANSION VALVE COIL		1		1			LEV(A)			
	R01 E16 242	LINEAR EXPANSION VALVE COIL			1		1		LEV(A)			
21	R01 E12 242	LINEAR EXPANSION VALVE COIL		1		1			LEV(B)			
	R01 E17 242	LINEAR EXPANSION VALVE COIL			1		1		LEV(B)			
22	R01 E68 202	THERMISTOR (OUTDOOR 2-PHASE PIPE, OUTDOOR)		1	1	1	1		TH6,7			
23	T7W E01 208	HIGH PRESSURE SWITCH		1		1			63H			
	T7W E02 208	HIGH PRESSURE SWITCH			1		1		63H			
24	R01 E01 490	OIL SEPARATOR		1	1	1	1					
25	R01 E06 259	REACTOR		1	1	1	1		ACL			
26	T7W E03 346	NOISE FILTER CIRCUIT BOARD		1	1	1	1		N.F.			
27	T7W E22 315	CONTROLLER CIRCUIT BOARD		1	1	1	1		C.B.			
28	R01 E65 202	THERMISTOR (HEAT SINK)		1	1	1	1		TH8			
29	T7W E10 313	POWER CIRCUIT BOARD		1	1	1	1		P.B.			
30	R01 E44 408	HEAT EXCHANGER		1	1	1	1					
31	T7W 520 239	FUSE	250V 6.3A	4	4	4	4		FUSE1,2,3,4			
32	T7W E16 716	TERMINAL BLOCK	6P(L,N,⊙,S1,S2,S3)	1	1	1	1		TB1			

FUNCTIONAL PARTS
PUHZ-RP4VHA
PUHZ-RP5VHA
PUHZ-RP6VHA



Part numbers that is circled is not shown in the figure.

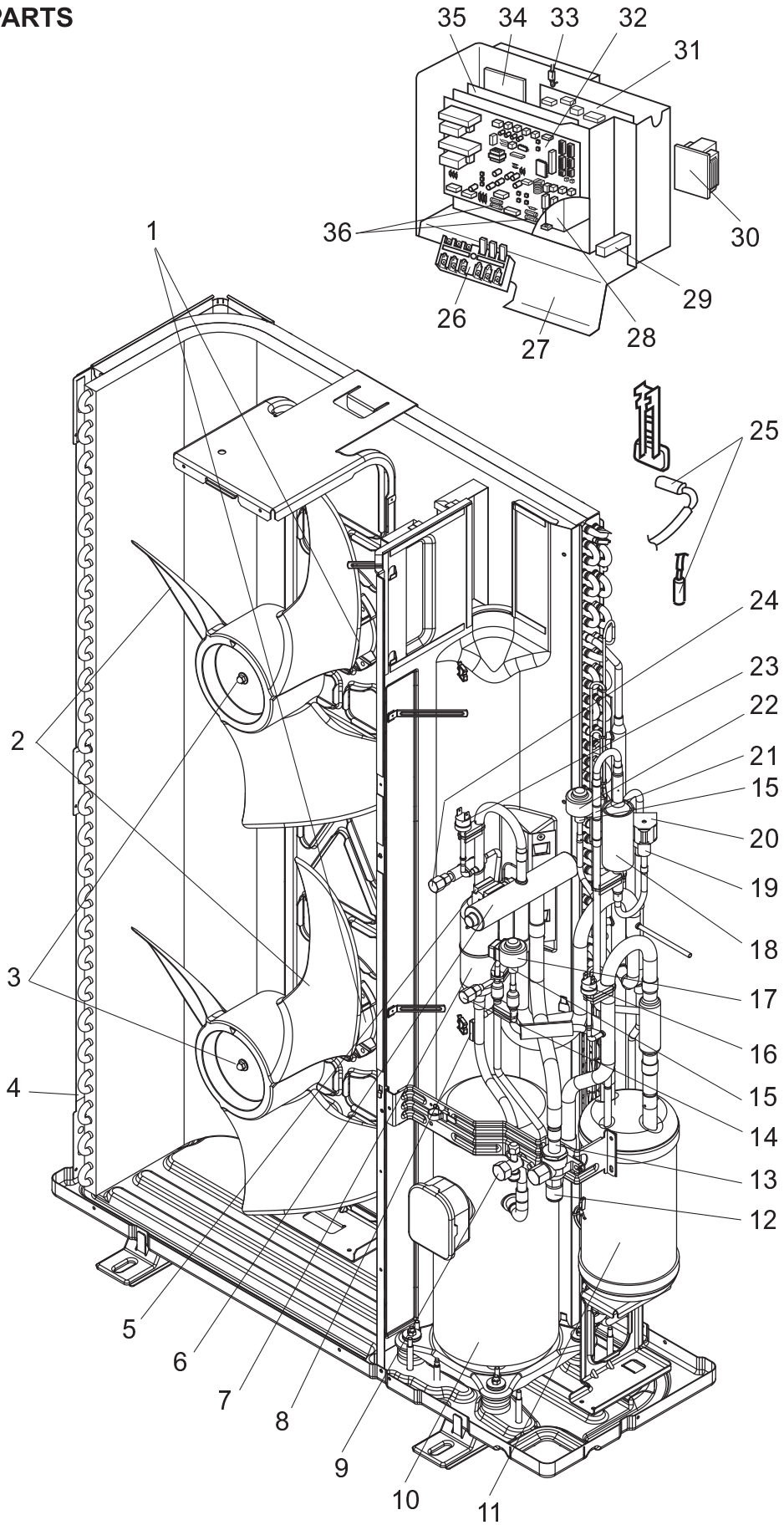
No.	Part No.	Part Name	Specification	Q'ty/set			Remarks (Drawing No.)	Wiring Diagram Symbol	Recom- mended Q'ty	Price	
				PUHZ-RP						Unit	Amount
				4	5	6					
				VHA							
1	R01 E29 221	FAN MOTOR		2	2	2		MF1,2			
2	R01 E01 115	PROPELLER		2	2	2					
3	R01 E02 097	NUT		2	2	2					
4	R01 E46 408	HEAT EXCHANGER		1	1	1					
5	—	ELECTRICAL PARTS BOX		1	1	1	(BK00B055G18)				
6	R01 E14 440	POWER RECEIVER		1	1	1					
7	T97 410 740	MOTOR FOR COMPRESSOR	ANV33FDAMT Including RUBBER MOUNT	1	1	1		MC			
8	R01 E05 411	STOP VALVE	3/8	1	1	1					
9	R01 E02 201	THERMISTOR (DISCHARGE)		1	1	1		TH4			
10	R01 E05 410	BALL VALVE	5/8	1	1	1					
11	R01 36L 450	STRAINER		1	1	1					
12	R01 E02 418	RESTRICTOR VALVE		1	1	1					
13	R01 E05 467	MUFFLER		1	1	1					
14	—	REPLACE FILTER		1	1	1	(BK00C119G02)				
15	R01 E66 202	THERMISTOR (OUTDOOR PIPE)		1	1	1		TH3			
16	R01 E06 413	CHARGE PLUG		1	1	1					
17	R01 E08 413	CHARGE PLUG		1	1	1					
18	R01 E03 428	BYPASS VALVE		1	1	1					
19	T7W E00 242	SOLENOID VALVE COIL <BYPASS VALVE>		1	1	1		SV			
20	R01 E33 401	EXPANSION VALVE		2	2	2					
21	T7W E03 242	LINEAR EXPANSION VALVE COIL		1	1	1		LEV(A)			
22	R01 E06 403	FOUR-WAY VALVE		1	1	1					
23	T7W A01 242	SOLENOID COIL <FOUR-WAY VALVE>		1	1	1		21S4			
24	R01 E68 202	THERMISTOR (OUTDOOR 2PHASE PIPE, OUTDOOR)		1	1	1		TH6,7			
25	T7W E01 208	HIGH PRESSURE SWITCH		1	1	1		63H			
26	R01 25T 209	LOW PRESSURE SWITCH		1	1	1		63L			
27	T7W E01 259	REACTOR		2	2	2		DCL1, DCL2			
28	T7W E07 313	POWER CIRCUIT BOARD		1	1	1		P.B.			
29	T7W E22 315	CONTROLLER CIRCUIT BOARD		1	1	1		C.B.			
30	R01 E65 202	THERMISTOR (HEAT SINK)		1	1	1		TH8			
31	T7W E00 233	ACTIVE FILTER MODULE		1	1	1		ACTM			
32	T7W E04 346	NOISE FILTER CIRCUIT BOARD		1	1	1		N.F.			
33	T7W E16 716	TERMINAL BLOCK	6P(L,N,⊕,S1,S2,S3)	1	1	1		TB1			
34	T7W 520 239	FUSE	250V 6.3A	4	4	4		FUSE1,2,3,4			
35	T7W E02 259	52C RELAY		1	1	1		52C			
36	T7W E01 234	RESISTOR		1	1	1		RS			
37	T7W E04 242	LINEAR EXPANSION VALVE COIL		1	1	1		LEV(B)			
38	T7W E05 254	MAIN SMOOTHING CAPACITOR		1	1	1		CE			

FUNCTIONAL PARTS

PUHZ-RP4VHA₁

PUHZ-RP5VHA₁

PUHZ-RP6VHA₁

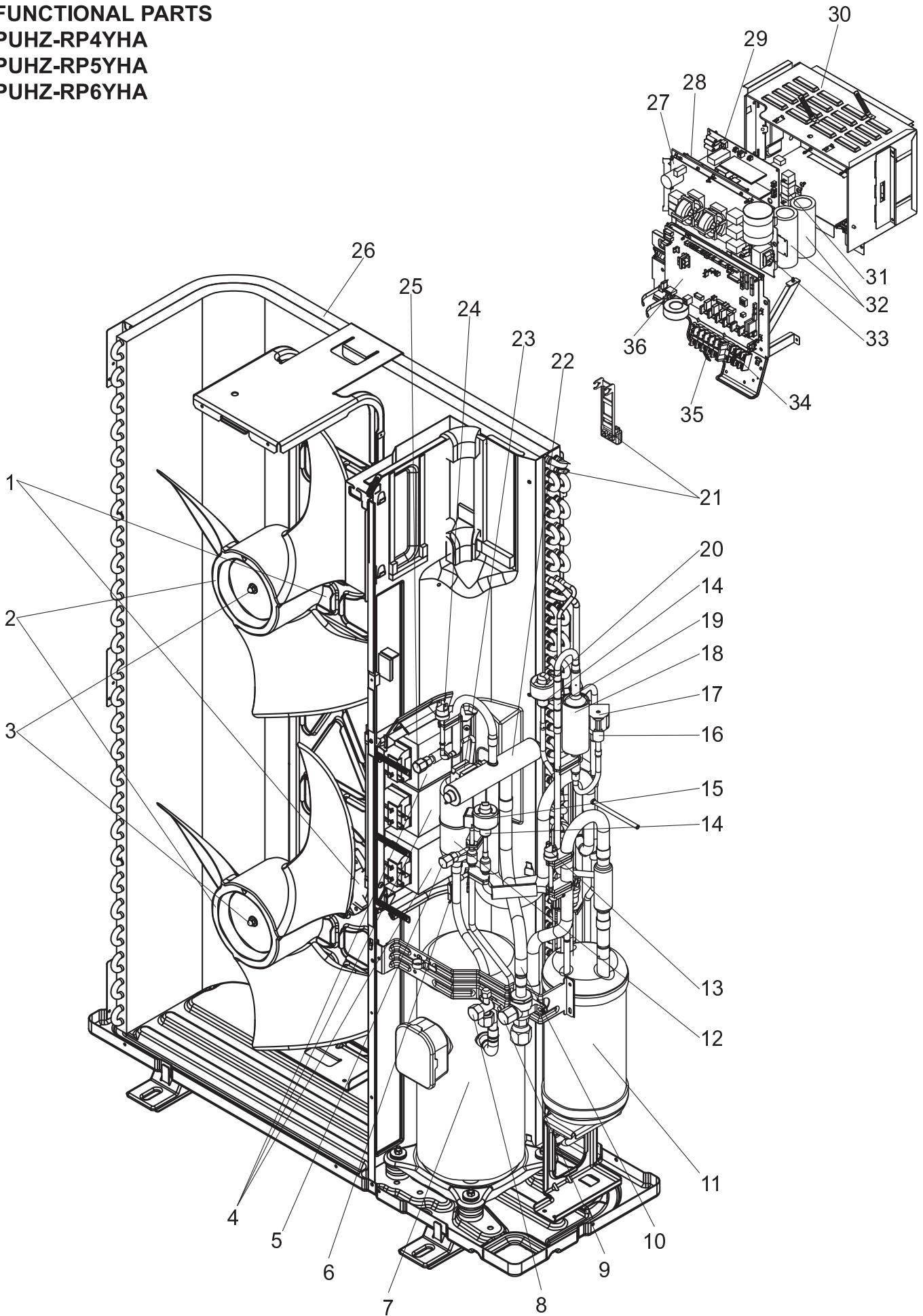




Part numbers that are circled are not shown in the figures.

No.	Part No.	Part Name	Specification	Q'ty/set			Remarks (Drawing No.)	Wiring Diagram Symbol	Recom- mended Q'ty	Price	
				PUHZ-RP						Unit	Amount
				4	5	6					
				VHA ₁							
1	R01 E29 221	FAN MOTOR		2	2	2		MF1,2			
2	R01 E01 115	PROPELLER		2	2	2					
3	R01 E02 097	NUT		2	2	2					
4	R01 E58 408	HEAT EXCHANGER		1	1	1					
5	T7W A01 242	SOLENOID COIL <FOUR-WAY VALVE>		1	1	1		21S4			
6	R01 E06 403	FOUR-WAY VALVE		1	1	1					
7	R01 E05 467	MUFFLER		1	1	1					
8	R01 17T 201	THERMISTOR (DISCHARGE)		1	1	1		TH4			
9	R01 E05 411	STOP VALVE	3/8	1	1	1					
10	T97 410 740	MOTOR FOR COMPRESSOR	ANV33FDAMT Including RUBBER MOUNT	1	1	1		MC			
11	R01 E28 440	POWER RECEIVER		1	1	1					
12	R01 E05 410	BALL VALVE	5/8	1	1	1					
13	R01 36L 450	STRAINER		1	1	1					
14	R01 E05 413	CHARGE PLUG		1	1	1					
15	R01 E33 401	EXPANSION VALVE		2	2	2					
16	R01 25T 209	LOW PRESSURE SWITCH		1	1	1		63L			
17	R01 E17 242	LINEAR EXPANSION VALVE COIL		1	1	1		LEV(B)			
18	—	REPLACE FILTER		1	1	1	(BK00C119G02)				
19	R01 E03 428	BYPASS VALVE		1	1	1					
20	T7W E00 242	SOLENOID VALVE COIL <BYPASS VALVE>		1	1	1		SV			
21	R01 E02 418	RESTRICTOR VALVE		1	1	1					
22	R01 E16 242	LINEAR EXPANSION VALVE COIL		1	1	1		LEV(A)			
23	T7W E02 208	HIGH PRESSURE SWITCH		1	1	1		63H			
24	R01 E08 413	CHARGE PLUG		1	1	1					
25	R01 E75 202	THERMISTOR (OUTDOOR 2-PHASE PIPE, OUTDOOR)		1	1	1		TH6,7			
26	T7W E16 716	TERMINAL BLOCK	6P(L,N,⊕,S1,S2,S3)	1	1	1		TB1			
27	—	ELECTRICAL PARTS BOX		1	1	1	(BK00B055G18)				
28	T7W E02 259	52C RELAY		1	1	1		52C			
29	T7W E01 234	RESISTOR		1	1	1		RS			
30	T7W E03 259	REACTOR		1	1	1		DCL			
31	T7W E07 313	POWER CIRCUIT BOARD		1	1	1		P.B.			
32	T7W E22 315	CONTROLLER CIRCUIT BOARD		1	1	1		C.B.			
33	R01 E65 202	THERMISTOR (HEAT SINK)		1	1	1		TH8			
34	T7W E00 233	ACTIVE FILTER MODULE		1	1	1		ACTM			
35	T7W E04 346	NOISE FILTER CIRCUIT BOARD		1	1	1		N.F.			
36	T7W 520 239	FUSE	250V 6.3A	4	4	4		FUSE1,2,3,4			
37	R01 E66 202	THERMISTOR (OUTDOOR PIPE)		1	1	1		TH3			
38	T7W E05 254	MAIN SMOOTHING CAPACITOR		1	1	1		CE			

FUNCTIONAL PARTS
PUHZ-RP4YHA
PUHZ-RP5YHA
PUHZ-RP6YHA





Part numbers that are circled are not shown in the figures.

No.	Part No.	Part Name	Specification	Q'ty/set			Remarks (Drawing No.)	Wiring Diagram Symbol	Recom- mended Q'ty	Price	
				PUHZ-RP						Unit	Amount
				4	5	6					
				YHA							
1	R01 E41 221	FAN MOTOR		2	2	2		MF1,2			
2	R01 E01 115	PROPELLER		2	2	2					
3	R01 E02 097	NUT		2	2	2					
4	T7W E07 259	REACTOR		3	3	3		ACL1,2,3			
5	R01 E05 413	CHARGE PLUG		1	1	1					
6	R01 A19 201	THERMISTOR (DISCHARGE)		1	1	1		TH4			
7	T97 410 743	MOTOR FOR COMPRESSOR	ANV33FDBMT Including RUBBER MOUNT	1	1	1		MC			
8	R01 E05 411	STOP VALVE	3/8	1	1	1					
9	R01 E05 410	BALL VALVE	5/8	1	1	1					
10	R01 36L 450	STRAINER		1	1	1					
11	R01 E28 440	POWER RECEIVER		1	1	1					
12	R01 E05 467	MUFFLER		1	1	1					
13	R01 25T 209	LOW PRESSURE SWITCH		1	1	1		63L			
14	R01 E55 401	EXPANSION VALVE		2	2	2					
15	R01 E26 242	LINEAR EXPANSION VALVE COIL		1	1	1		LEV(B)			
16	R01 E11 428	BYPASS VALVE		1	1	1					
17	T7W E10 242	SOLENOID VALVE COIL <BYPASS VALVE>		1	1	1		SV			
18	—	REPLACE FILTER		1	1	1	(BK00C119G02)				
19	R01 E02 418	RESTRICTOR VALVE		1	1	1					
20	T7W E09 242	LINEAR EXPANSION VALVE COIL		1	1	1		LEV(A)			
21	R01 E75 202	THERMISTOR (OUTDOOR 2-PHASE PIPE, OUTDOOR)		1	1	1		TH6,7			
22	R01 E06 403	FOUR-WAY VALVE		1	1	1					
23	T7W A01 242	SOLENOID COIL <FOUR-WAY VALVE>		1	1	1		21S4			
24	T7W E02 208	HIGH PRESSURE SWITCH		1	1	1		63H			
25	R01 E08 413	CHARGE PLUG		1	1	1					
26	R01 E58 408	HEAT EXCHANGER		1	1	1					
27	T7W E08 346	NOISE FILTER CIRCUIT BOARD		1	1	1		N.F.			
28	T7W E39 310	CONVERTER CIRCUIT BOARD		1	1	1		CONV.B.			
29	T7W E13 313	POWER CIRCUIT BOARD		1	1	1		P.B.			
30	—	ELECTRICAL PARTS BOX		1	1	1	(BK00C410G02)				
31	R01 E08 233	RESISTOR		1	1	1		RS			
32	T7W E03 254	MAIN SMOOTHING CAPACITOR		2	2	2		CB1, CB2			
33	T7W E06 259	REACTOR		1	1	1		ACL4			
34	T7W E22 716	TERMINAL BLOCK	3P (S1,S2,S3)	1	1	1		TB2			
35	T7W E06 716	TERMINAL BLOCK	5P (L1,L2,L3,N,⊕)	1	1	1		TB1			
36	T7W E26 315	CONTROLLER CIRCUIT BOARD		1	1	1		C.B.			
37	R01 E02 293	FUSE	250V 6.3A	4	4	4		FUSE1,2,3,4			
38	R01 E66 202	THERMISTOR (OUTDOOR PIPE)		1	1	1		TH3			
39	T7W E06 254	CAPACITOR		1	1	1		CK			

14 OPTIONAL PARTS

14-1. DRAIN SOCKET

Part No.	PAC-SG61DS-E
Applied models	PUHZ-RP1.6, 2, 2.5, 3, 4, 5, 6VHA PUHZ-RP4, 5, 6YHA

14-2. AIR OUTLET GUIDE

Part No.	PAC-SG59SG-E
Applied models	PUHZ-RP1.6, 2, 2.5, 3, 4, 5, 6VHA PUHZ-RP4, 5, 6YHA

※ PUHZ-RP4, 5, 6VHA needs two piece.

14-3. DRAIN PAN

Part No.	PAC-SG64DP-E
Applied models	PUHZ-RP1.6, 2, 2.5, 3, 4, 5, 6VHA PUHZ-RP4, 5, 6YHA

14-4. A CONTROL SERVICE TOOL

Part No.	PAC-SK52ST
Applied models	PUHZ-RP1.6, 2, 2.5, 3, 4, 5, 6VHA PUHZ-RP4, 5, 6YHA

14-5. A-M CONVERTER

Part No.	PAC-SF70MA-E
Applied models	PUHZ-RP1.6, 2, 2.5, 3, 4, 5, 6VHA PUHZ-RP4, 5, 6YHA



HEAD OFFICE : MITSUBISHI DENKI BLDG., 2-2-3, MARUNOUCHI, CHIYODA-KU TOKYO 100-8310, JAPAN