

# TECHNICAL & SERVICE MANUAL

## R410A

Outdoor unit  
[model names]

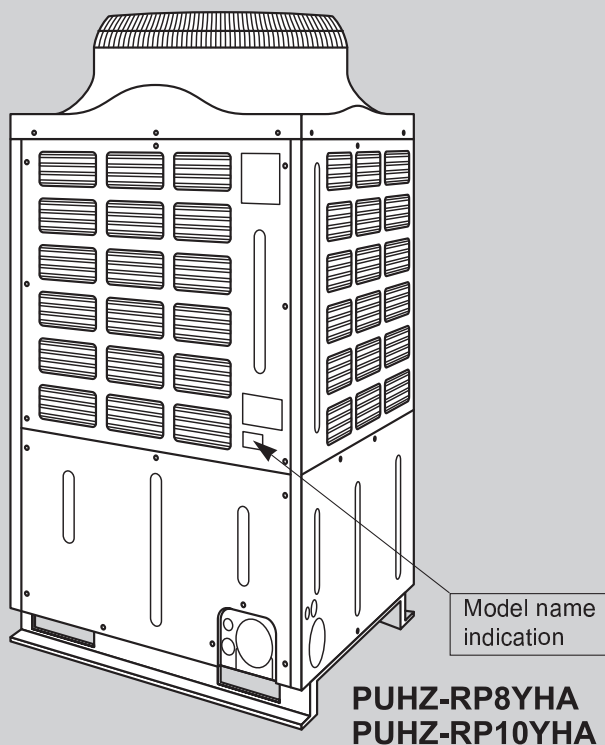
PUHZ-RP8YHA

PUHZ-RP10YHA

[Service Ref.]

**PUHZ-RP8YHA**

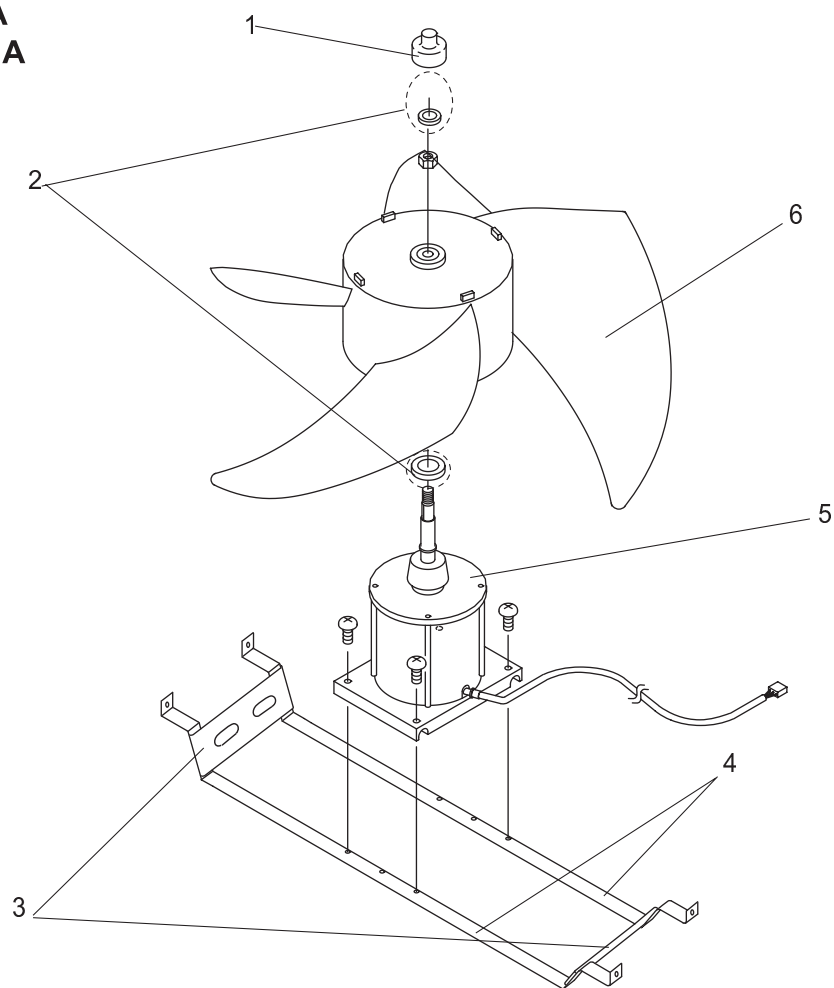
**PUHZ-RP10YHA**



## CONTENTS

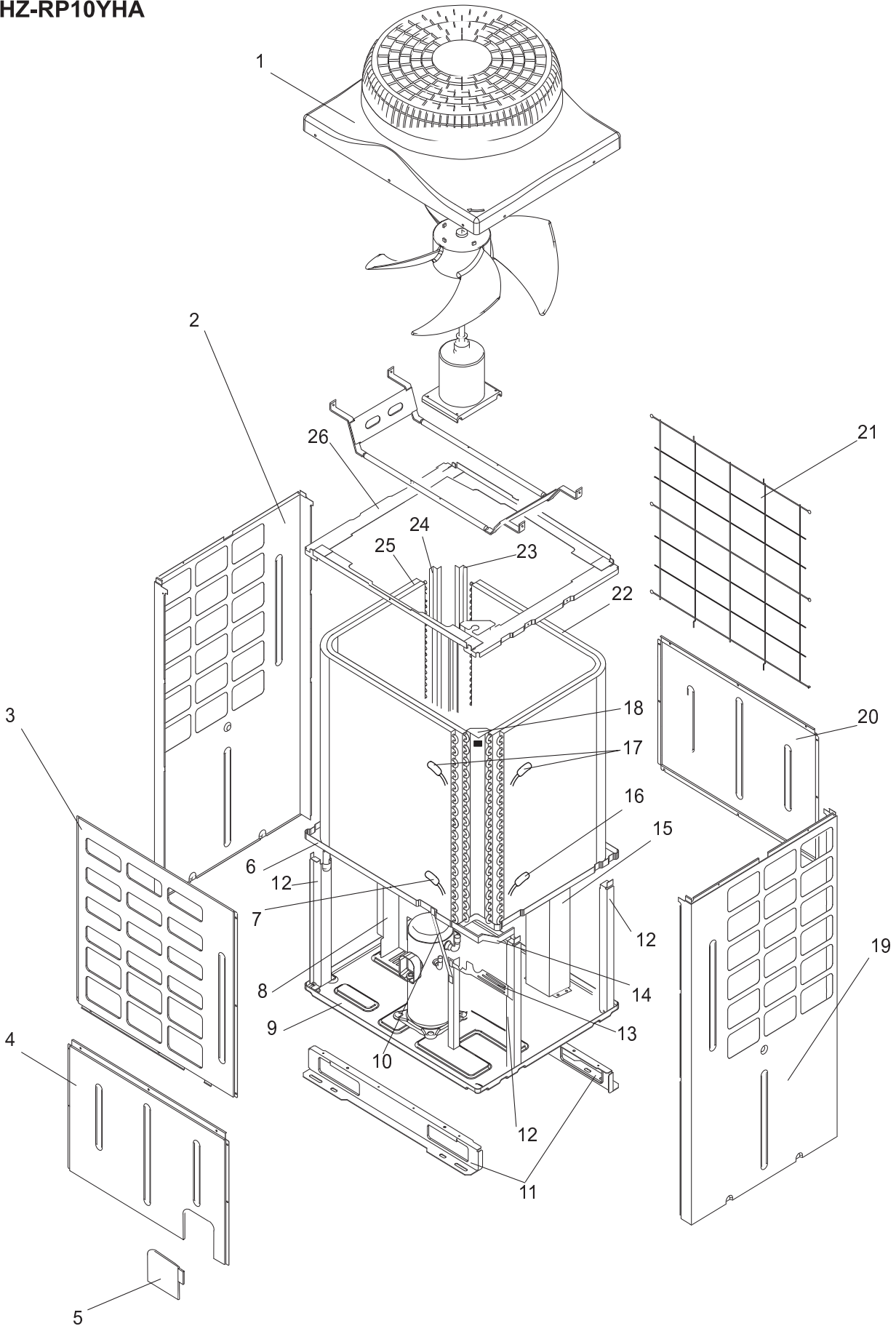
1. SAFETY PRECAUTION .....	2
2. COMBINATION OF INDOOR AND OUTDOOR UNITS .....	6
3. FEATURES .....	7
4. SPECIFICATIONS .....	8
5. DATA .....	9
6. OUTLINES AND DIMENSIONS .....	11
7. WIRING DIAGRAM .....	12
8. WIRING SPECIFICATIONS .....	13
9. SPECIFICATIONS FOR ELECTRICAL WORK .....	14
10. REFRIGERANT SYSTEM DIAGRAM .....	17
11. CAPACITY CURVES .....	18
12. APPLICABLE EXTENSION PIPE FOR EACH MODEL .....	19
13. TROUBLESHOOTING .....	25
14. DISASSEMBLY PROCEDURE .....	71
15. PARTS LIST .....	79
16. OPTIONAL PARTS .....	BackCover

FAN PARTS  
PUHZ-RP8YHA  
PUHZ-RP10YHA



No.	Part No.	Part Name	Specification	Q'ty/set		Remarks (Drawing No.)	Wiring Diagram Symbol	Recom- mended Q'ty	Price	
				PUHZ					Unit	Amount
				RP8	RP10					
				YHA						
1	R01 E01 122	MOTOR CAP		1	1					
2	R01 E05 097	NUT M16		1	1					
3	—	SUPPORT		2	2	BG02U187H03				
4	R01 E20 130	MOTOR SUPPORT		2	2					
5	T7W E26 763	FAN MOTOR		1	1		MF			
6	R01 E03 115	PROPELLER		1	1					

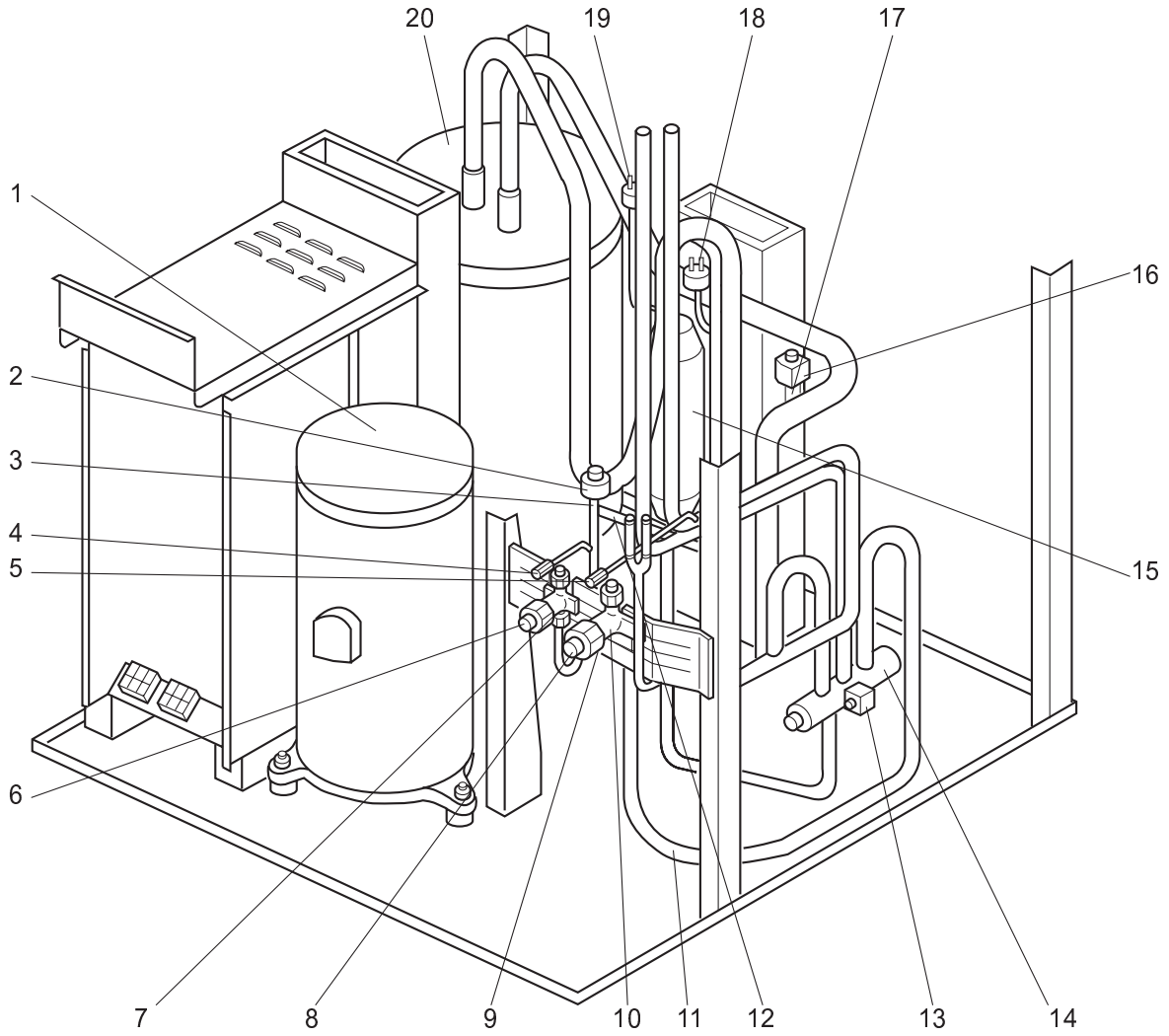
**STRUCTURAL PARTS**  
**PUHZ-RP8YHA**  
**PUHZ-RP10YHA**



No.	Part No.	Part Name	Specification	Q'ty/set		Remarks (Drawing No.)	Wiring Diagram Symbol	Recom- mended Q'ty	Price	
				PUHZ					Unit	Amount
				RP8	RP10					
				YHA						
1	R01 E01 675	FAN GUARD		1	1					
2	R01 E05 662	SIDE PANEL (L)		1	1					
3	R01 E06 668	FRONT PANEL		1	1					
4	R01 E05 667	SERVICE PANEL		1	1					
5	R01 E06 658	COVER PANEL		1	1					
6	—	SEPARATOR		1	1	RG00N510G03				
7	R01 H75 202	THERMISTOR (OUTDOOR PIPE)		1	1		TH32			
8	—	HEAT SINK DUCT		1	1	RG00T950G05				
9	—	BASE		1	1	BG02Q044G08				
10	—	VALVE BED SUPPORT		1	1	BH02C038H01				
11	R01 E00 808	LEG		2	2					
12	—	SUPPORT		4	4	RG02N341H03				
13	—	VALVE BED		1	1	RG02N340G05				
14	—	SEPARATOR SUPPORT		1	1	RG02T894H03				
15	—	DRAIN DUCT		1	1	RG00T951G03				
16	R01 E74 202	THERMISTOR (OUTDOOR PIPE)		1	1		TH3			
17	R01 H76 202	THERMISTOR (OUTDOOR)		1	1		TH6,TH7			
18	—	HEAT EXCHANGER JOINT		1	1	RG02N346G10				
19	R01 E10 661	SIDE PANEL (R)		1	1					
20	R01 E07 667	REAR PANEL		1	1					
21	R01 E03 698	REAR GUARD		1	1					
22	R01 E66 408	HEAT EXCHANGER (1)		1	1					
23	—	COIL PLATE (1)		1	1	RG02N397H05				
24	—	COIL PLATE (2)		1	1	RG02N397K05				
25	R01 E39 409	HEAT EXCHANGER (2)		1	1					
26	—	TOP FRAME		1	1	RG00N473G09				
27	—	LABEL (MITSUBISHI)		1	1	DG79R130H01				
28	—	LABEL (INVERTER)		1	1	BK79C208G02				
29	—	ELECTRICAL PARTS BOX PEDESTAL		1	1	RG02T748H04				
30	—	SENSOR HOLDER		1	1	BG25V080H03				
31	—	SEPARATOR CAP		2	2	RG02T749H04				

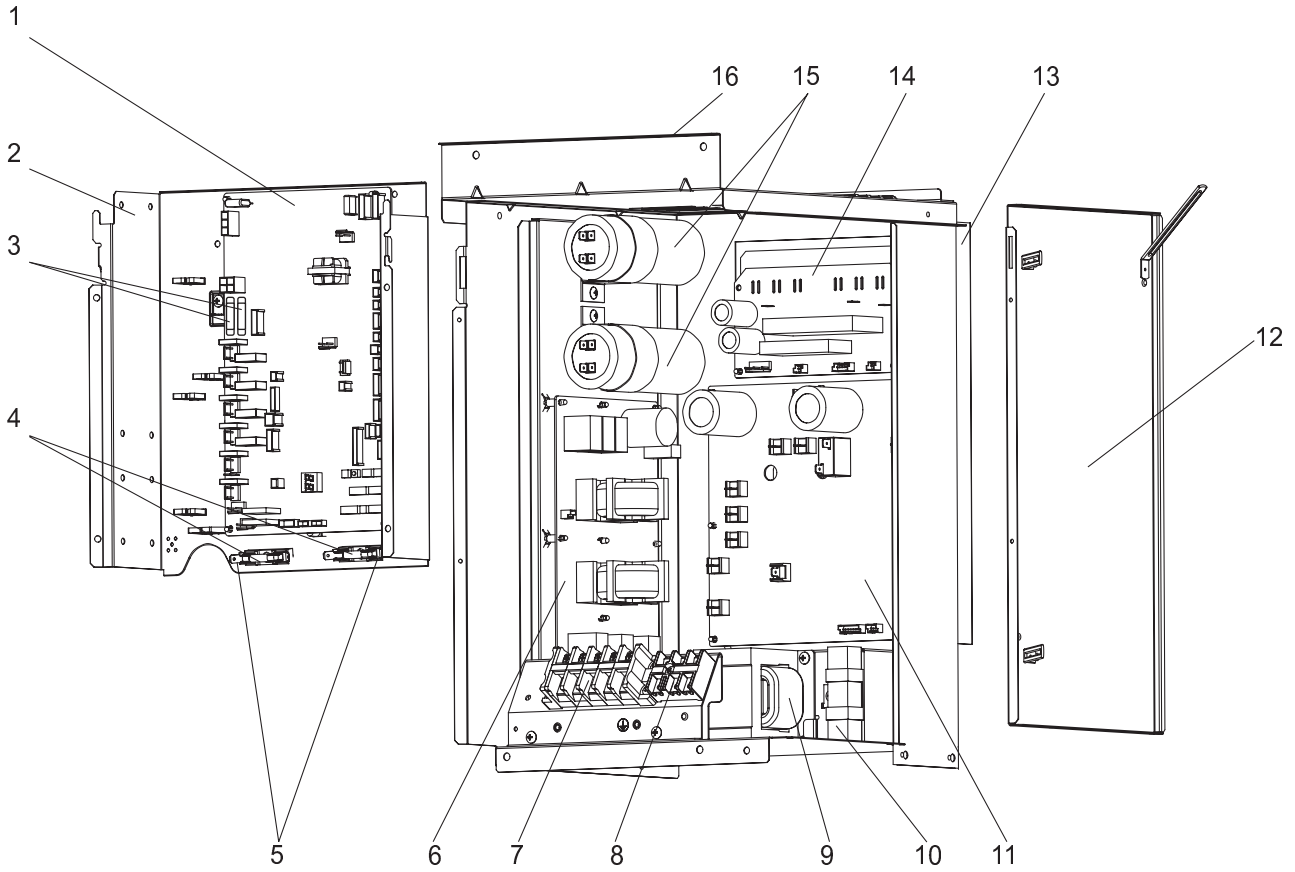


**FUNCTIONAL PARTS**  
**PUHZ-RP8YHA**  
**PUHZ-RP10YHA**



No.	Part No.	Part Name	Specification	Q'ty/set		Remarks (Drawing No.)	Wiring Diagram Symbol	Recom- mended Q'ty	Price	
				PUHZ					Unit	Amount
				RP8	RP10					
				YHA						
1	T97 410 741	MOTOR FOR COMPRESSOR	ANV47FFBMT	1	1		MC			
2	R01 E20 242	LINEAR EXPANSION VALVE COIL		1	1					
3	R01 E59 401	LINEAR EXPANSION VALVE		1	1		LEV			
4	R01 E06 413	CHARGE PLUG		1	1					
5	R01 E05 413	CHARGE PLUG		1	1					
6	R01 E09 410	STOP VALVE	3/8F	1						
	R01 E08 410	STOP VALVE	1/2F		1					
7	R01 E00 450	STRAINER		1						
	R01 30L 450	STRAINER			1					
8	R01 E07 410	STOP VALVE	1F	1	1					
9	R01 E00 570	GASKET		1	1					
10	R01 E00 417	FRANG ASSY		1						
	T7W E01 417	FRANG ASSY			1					
11	R01 E01 450	STRAINER		1	1					
12	R01 E02 450	STRAINER		2	2					
13	T7W E07 242	SOLENOID COIL (FOUR-WAY VALVE)		1	1		21S4			
14	R01 E11 403	SOLENOID VALVE (FOUR-WAY VALVE)		1	1					
15	R01 E02 490	OIL SEPARATOR		1	1					
16	T7W E06 242	SOLENOID COIL (BYPASS VALVE)		1	1					
17	R01 E03 428	SOLENOID VALVE (BYPASS VALVE)		1	1		SV			
18	T7W E03 208	HIGH PRESSURE SWITCH		1	1		63H			
19	R01 25T 209	LOW PRESSURE SWITCH		1	1		63L			
20	T7W E13 440	ACCUMULATOR		1	1					
21	R01 E00 201	THERMISTOR (DISCHARGE)		1	1		TH4			
22	—	SOUND INSULATION		1	1	RG33N368G03				
23	R01 E19 425	CAPILLARY TUBE	3.0×1.0×1000	1	1					
24	R01 E20 425	CAPILLARY TUBE	3.0×1.0×300	1	1					

**ELECTRICAL PARTS**  
**PUHZ-RP8YHA**  
**PUHZ-RP10YHA**



No.	Part No.	Part Name	Specification	Q'ty/set		Remarks (Drawing No.)	Wiring Diagram Symbol	Recom- mended Q'ty	Price	
				PUHZ					Unit	Amount
				RP8	RP10					
				YHA						
1	T7W E23 315	CONTROLLER CIRCUIT BOARD		1	1		C.B.			
2	—	CIRCUIT BOARD SUPPORT PLATE		1	1	RG02N450G10				
3	R01 E02 239	FUSE	250V 6.3A	2	2		FUSE3,4			
4	R01 E03 239	FUSE	250V 15A	2	2		FUSE1,2			
5	R01 30L 241	FUSE HOLDER		2	2					
6	T7W E06 346	NOISE FILTER CIRCUIT BOARD		1	1		N.F.			
7	T7W E06 716	TERMINAL BLOCK (POWER SUPPLY)	5P(L1,L2,L3,N,⊙)	1	1		TB1			
8	T7W E22 716	TERMINAL BLOCK (INDOOR / OUTDOOR)	3P(S1,S2,S3)	1	1		TB2			
9	T7W E05 259	REACTOR	2.7mH 25A	1	1		DCL			
10	R01 E08 233	RUSH CURRENT PROTECT RESISTOR		1	1		RS			
11	T7W E11 313	POWER CIRCUIT BOARD		1	1		P.B.			
12	—	ELECTRICAL PARTS BOX RIGHT SIDE PLATE		1	1	RG02N349G06				
13	—	HEAT SINK		1	1	RG11N336G05				
14	T7W E38 310	FAN CONTROLLER CIRCUIT BOARD		1	1		F.C.			
15	T7W E03 254	MAIN SMOOTHING CAPACITOR		2	2		CB1, 2			
16	—	ELECTRICAL PARTS BOX		1	1	RG00N768G02				
⑰	—	WATERPROOF SHEET FOR THE ELECTRICAL PARTS		1	1	BH00C028G10				



Parts name		RP8·RP10
		Parts No.
Distribution pipe	Twin	MSDD-50WR-E
	Triple	MSDT-111R-E
	Quadruple	MSDF-1111R-E
Joint pipe		PAC-SG73RJ-E ( $\phi 9.52 \rightarrow \phi 12.7$ )
Centralized drain kit		PAC-SG92DS-E
Air guide	Front, Rear	PAC-SG86AG-E
	Left, Right	PAC-SG87AG-E
Filter dryer	$\phi 9.52$	PAC-SG82DR-E
	$\phi 12.7$	PAC-SG85DR-E
A-control interface board	Main	PAC-SK73MI-E
	Sub	PAC-SK80SI-E
M-NET adapter		PAC-SF60MA-E