

SPLIT-TYPE, HEAT PUMP AIR CONDITIONERS
SPLIT-TYPE, AIR CONDITIONERS

February 2012

No.OC330
REVISED EDITION-C

SERVICE MANUAL

Series PKA Wall Mounted R407C/R410A

Indoor unit
[Model names]

PKA-RP35GAL

PKA-RP50GAL

[Service Ref.]

PKA-RP35GAL

PKA-RP35GAL#1

PKA-RP50GAL

PKA-RP50GAL#1

Series PKH

PKH-P35GALH

PKH-P50GALH

R407C

PKH-P35GALH

PKH-P50GALH

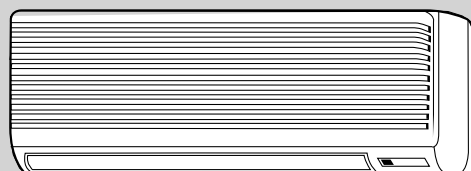
Revision :

- The indicated No. of CORNER COVER (page 37 and 42) have been corrected in REVISED EDITION-C.
- Some descriptions have been modified.

- Please void OC330 REVISED EDITION-B.

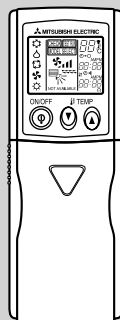
Note :

- This manual describes only service data of the indoor units.
 - RoHS compliant products have <G> mark on spec name plate.
- For servicing of RoHS compliant products, refer to the RoHS Parts List.



Indoor unit

Model name indication



Remote controller

CONTENTS

1. TECHNICAL CHANGES.....	2
2. REFERENCE MANUAL.....	2
3. SAFETY PRECAUTION.....	3
4. PART NAMES AND FUNCTIONS.....	7
5. SPECIFICATIONS.....	9
6. NOISE CRITERION CURVES.....	11
7. OUTLINES AND DIMENSIONS.....	12
8. WIRING DIAGRAM.....	13
9. REFRIGERANT SYSTEM DIAGRAM.....	14
10. TROUBLESHOOTING.....	15
11. SPECIAL FUNCTION.....	30
12. DISASSEMBLY PROCEDURE.....	33
13. PARTS LIST.....	37
14. RoHS PARTS LIST.....	40

1

TECHNICAL CHANGES

PKA-RP35GAL → PKA-RP35GAL#1
 PKA-RP50GAL → PKA-RP50GAL#1

INDOOR CONTROLLER BOARD(I.B.) has been changed.

2

REFERENCE MANUAL**2-1. OUTDOOR UNIT'S SERVICE MANUAL**

Service Ref.	Service Manual No.
PUHZ-RP35/50/60/71/100/125/140VHA ₍₁₎ PUHZ-RP100/125/140YHA	OC334
PUHZ-RP71/100/125/140VHA ₍₁₎ -A	OC337
PUHZ-RP200/250YHA ₍₁₎₍₂₎ PUHZ-RP200/250YHA ₍₁₎ -A	OC338 OC339
PU(H)-P • VGAA.UK PU(H)-P • YGAA.UK	OC336
PUHZ-P100/125/140VHA.UK	OC359
PUHZ-RP35/50/60/71/100/125/140VHA2 ₍₁₎ PUHZ-RP100/125/140YHA2 ₍₁₎ PUHZ-RP35/50/60/71/100VHA3 PUHZ-RP100YHA3	OC374
PU(H)-P71/100VHA ₍₁₎ .UK PU(H)-P100/125/140YHA ₍₁₎ .UK	OC379
PUHZ-P100/125/140VHA2 ₍₁₎ .UK	OCH415 / OCB415
PUHZ-RP71/100/125/140VHA2-A PUHZ-RP100/125/140YHA2-A	OCH422 / OCB422
PUHZ-BP100/125/140VHA-A PUHZ-BP200/250YHA-A	OCH423 / OCB423
PUHZ-P200/250YHA2	OCH424 / OCB424
PUHZ-HRP71/100VHA PUHZ-HRP100/125YHA	OCH425 / OCB425
PUHZ-RP200/250YHA2	OCH428 / OCB428

2-2. TECHNICAL DATA BOOK

Series (Outdoor unit)	Manual No.
PUHZ-RP • HA(-A)	OCS01
PU(H)-P • GAA.UK	OCS02
PUHZ-RP • HA2	OCS05
PUHZ-P • HA	OCS06
PU(H)-P • HA	OCS07
PUHZ-P • VHA2, PUHZ-P • YHA	OCS08
PUHZ-RP • HA2-A	OCS09
PUHZ-BP • HA	OCS10
PUHZ-HRP • HA	OCS11

3-1. ALWAYS OBSERVE FOR SAFETY

Before obtaining access to terminal, all supply circuits must be disconnected.

3-2. CAUTIONS RELATED TO NEW REFRIGERANT

Caution for units utilizing refrigerant R407C

Do not use the existing refrigerant piping.

The old refrigerant and lubricant in the existing piping contains a large amount of chlorine which may cause the lubricant deterioration of the new unit.

Use “low residual oil piping”

If there is a large amount of residual oil (hydraulic oil, etc.) inside the piping and joints, deterioration of the lubricant will result.

Store the piping to be used indoors during installation, and keep both ends of the piping sealed until just before brazing. (Leave elbow joints, etc. in their packaging.)

If dust, dirt, or water enters the refrigerant cycle, deterioration of the oil and compressor trouble may result.

Use ESTER , ETHER or HAB as the lubricant to coat flares and flange connection parts.

If large amount of mineral oil enter, that can cause deterioration of refrigerant oil etc.

Do not use a refrigerant other than R407C.

If another refrigerant (R22, etc.) is used, the chlorine in the refrigerant may cause the lubricant deterioration.

Use a vacuum pump with a reverse flow check valve.

The vacuum pump oil may flow back into the refrigerant cycle and cause the lubricant deterioration.

Use the specified refrigerant only.**Never use any refrigerant other than that specified.**

Doing so may cause a burst, an explosion, or fire when the unit is being used, serviced, or disposed of.

Correct refrigerant is specified in the manuals and on the spec labels provided with our products.

We will not be held responsible for mechanical failure, system malfunction, unit breakdown or accidents caused by failure to follow the instructions.

Ventilate the room if refrigerant leaks during operation. If refrigerant comes into contact with a flame, poisonous gases will be released.

[1] Cautions for service

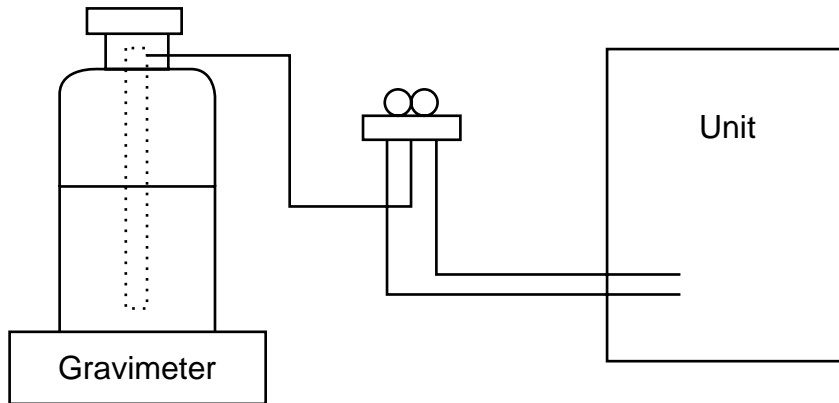
- After recovering the all refrigerant in the unit, proceed to working.
- Do not release refrigerant in the air.
- After completing the repair service, recharge the cycle with the specified amount of liquid refrigerant.

[2] Refrigerant recharging

(1) Refrigerant recharging process

① Direct charging from the cylinder.

- R407C cylinder are available on the market has a syphon pipe.
- Leave the syphon pipe cylinder standing and recharge it. (By liquid refrigerant)



(2) Recharge in refrigerant leakage case

- After recovering the all refrigerant in the unit, proceed to working.
- Do not release the refrigerant in the air.
- After completing the repair service, recharge the cycle with the specified amount of liquid refrigerant.

[3] Service tools

Use the below service tools as exclusive tools for R410A refrigerant.

No.	Tool name	Specifications
①	Gauge manifold	· Only for R407C.
		· Use the existing fitting SPECIFICATIONS. (UNF7/16)
		· Use high-tension side pressure of 3.43MPa-G or over.
②	Charge hose	· Only for R407C.
		· Use pressure performance of 5.10MPa-G or over.
③	Electronic scale	—
④	Gas leak detector	· Use the detector for R134a or R407C.
⑤	Adaptor for reverse flow check	· Attach on vacuum pump.
⑥	Refrigerant charge base	—
⑦	Refrigerant cylinder	· For R407C · Top of cylinder (Brown)
		· Cylinder with syphon
⑧	Refrigerant recovery equipment	—

CAUTIONS RELATED TO NEW REFRIGERANT

Cautions for units utilizing refrigerant R410A

Use new refrigerant pipes.

In case of using the existing pipes for R22, be careful with the followings.

- Change flare nut to the one provided with this product. Use a newly flared pipe.
- Avoid using thin pipes.

Make sure that the inside and outside of refrigerant piping is clean and it has no contaminants such as sulfur, oxides, dirt, shaving particles, etc, which are hazard to refrigerant cycle. In addition, use pipes with specified thickness.

Contamination inside refrigerant piping can cause deterioration of refrigerant oil etc.

Store the piping to be used indoors during installation, and keep both ends of the piping sealed until just before brazing. (Leave elbow joints, etc. in their packaging.)

If dirt, dust or moisture enter into refrigerant cycle, that can cause deterioration of refrigerant oil or malfunction of compressor.

The refrigerant oil applied to flare and flange connections must be ester oil, ether oil or alkylbenzene oil in a small amount.

If large amount of mineral oil enter, that can cause deterioration of refrigerant oil etc.

Charge refrigerant from liquid phase of gas cylinder.

If the refrigerant is charged from gas phase, composition change may occur in refrigerant and the efficiency will be lowered.

Do not use refrigerant other than R410A.

If other refrigerant (R22 etc.) is used, chlorine in refrigerant can cause deterioration of refrigerant oil etc.

Use a vacuum pump with a reverse flow check valve.

Vacuum pump oil may flow back into refrigerant cycle and that can cause deterioration of refrigerant oil etc.

Use the following tools specifically designed for use with R410A refrigerant.

The following tools are necessary to use R410A refrigerant.

Tools for R410A	
Gauge manifold	Flare tool
Charge hose	Size adjustment gauge
Gas leak detector	Vacuum pump adaptor
Torque wrench	Electronic refrigerant charging scale

Handle tools with care.

If dirt, dust or moisture enter into refrigerant cycle, that can cause deterioration of refrigerant oil or malfunction of compressor.

Do not use a charging cylinder.

If a charging cylinder is used, the composition of refrigerant will change and the efficiency will be lowered.

Use the specified refrigerant only.

Never use any refrigerant other than that specified.

Doing so may cause a burst, an explosion, or fire when the unit is being used, serviced, or disposed of.

Correct refrigerant is specified in the manuals and on the spec labels provided with our products.

We will not be held responsible for mechanical failure, system malfunction, unit breakdown or accidents caused by failure to follow the instructions.

Ventilate the room if refrigerant leaks during operation. If refrigerant comes into contact with a flame, poisonous gases will be released.

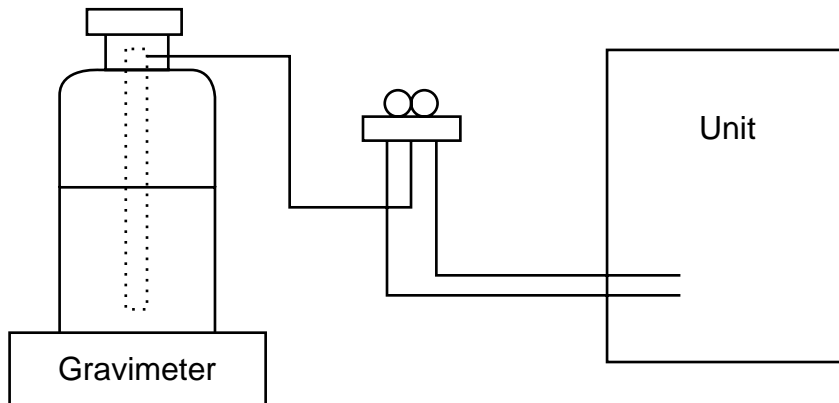
[1] Cautions for service

- (1) Perform service after collecting the refrigerant left in unit completely.
- (2) Do not release refrigerant in the air.
- (3) After completing service, charge the cycle with specified amount of refrigerant.
- (4) When performing service, install a filter drier simultaneously.
Be sure to use a filter drier for new refrigerant.

[2] Additional refrigerant charge

When charging directly from cylinder

- Check that cylinder for R410A on the market is syphon type.
- Charging should be performed with the cylinder of syphon stood vertically. (Refrigerant is charged from liquid phase.)



[3] Service tools

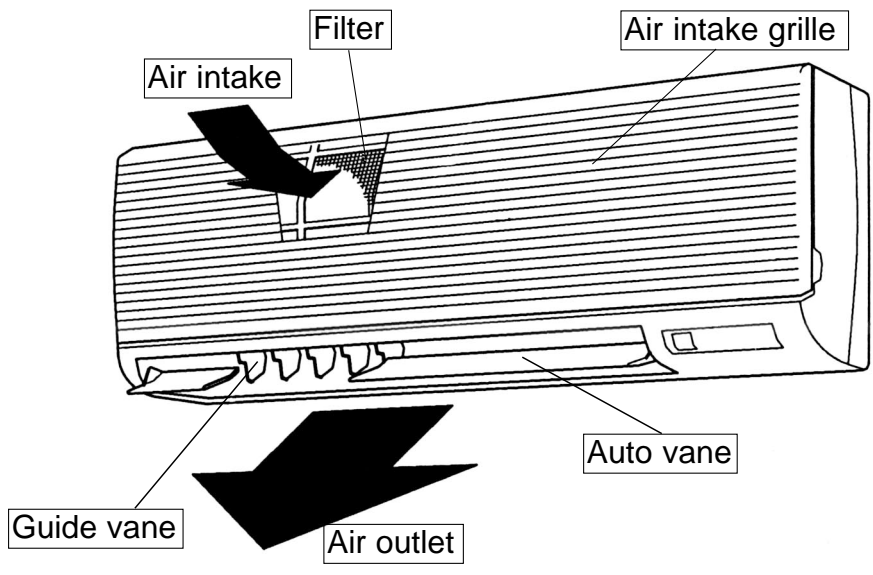
Use the below service tools as exclusive tools for R410A refrigerant.

No.	Tool name	Specifications
①	Gauge manifold	<ul style="list-style-type: none"> · Only for R410A · Use the existing fitting specifications. (UNF1/2) · Use high-tension side pressure of 5.3MPa-G or over.
②	Charge hose	<ul style="list-style-type: none"> · Only for R410A · Use pressure performance of 5.09MPa-G or over.
③	Electronic scale	—
④	Gas leak detector	· Use the detector for R134a, R407C or R410A.
⑤	Adaptor for reverse flow check	· Attach on vacuum pump.
⑥	Refrigerant charge base	—
⑦	Refrigerant cylinder	<ul style="list-style-type: none"> · Only for R410A · Top of cylinder (Pink) · Cylinder with syphon
⑧	Refrigerant recovery equipment	—

4

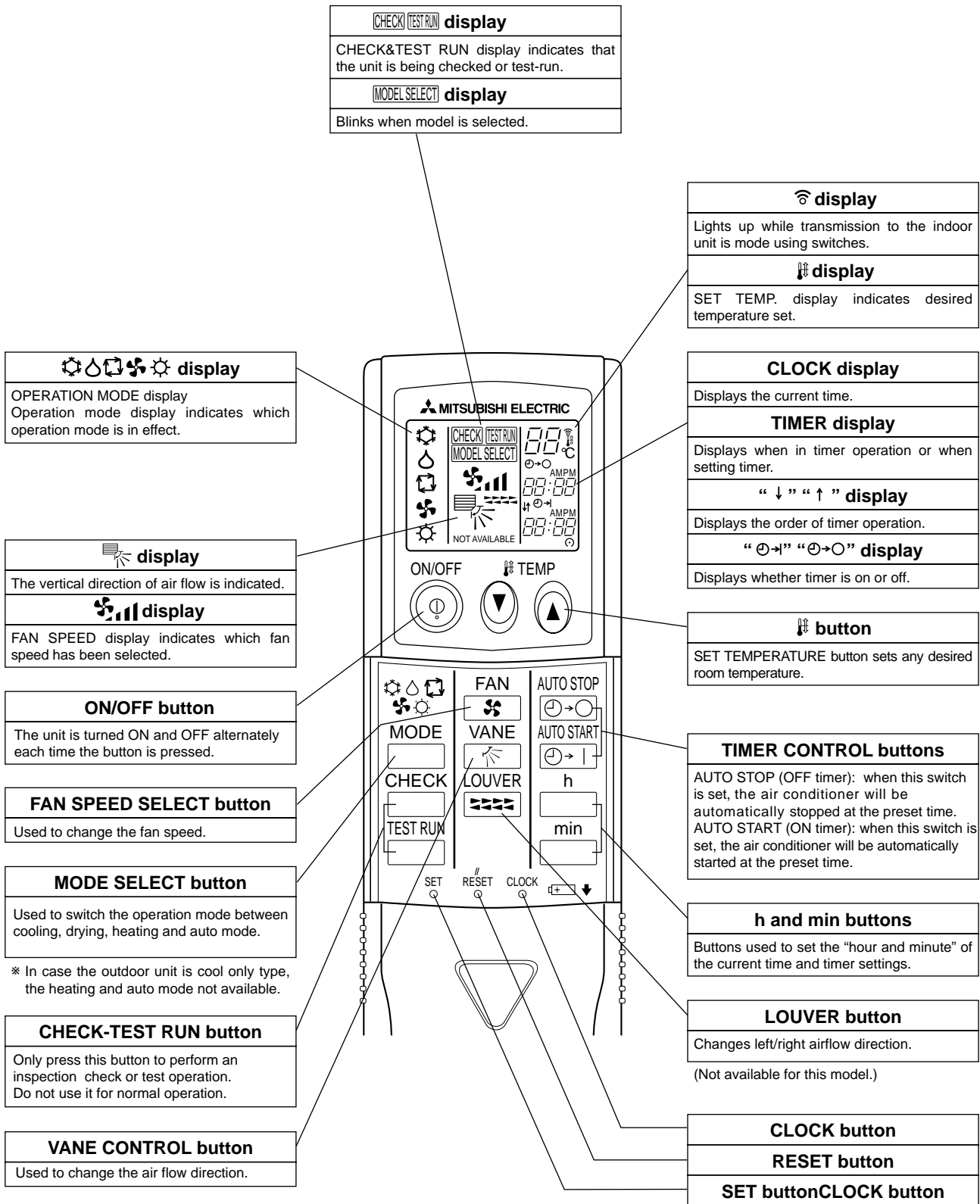
PART NAMES AND FUNCTIONS

Indoor unit



Wireless remote controller

When the cover is open.



5

SPECIFICATIONS

Service Ref.			PKA-RP35GAL, PKA-RP35GAL#1		
INDOOR UNIT	Mode		Cooling	Heating	
	Power supply(phase, cycle, voltage)		Single phase, 50Hz, 230V		
	Input	kW	0.07	0.07	
	Running current	A	0.33	0.33	
	Starting current	A	0.40	0.40	
	External finish		Munsell 0.70Y 8.59/0.97		
	Heat exchanger		Plate fin coil		
	Fan	Fan(drive) x No.		Line flow (direct) x 1	
		Fan motor output	kW	0.030	
		Airflow(Low-Medium2-Medium1-High)	m ³ /min(CFM)	9-10-11-12(320-355-390-425)	
		External static pressure	Pa(mmAq)	0(direct blow)	
	Operation control & Thermostat		Wireless remote controller & built-in		
	Noise level(Low-Medium2-Medium1-High)		dB		36-38-41-43
	Unit drain pipe O.D.		mm(in.)		20(13/16)
	Dimensions	W	mm(in.)	990(39)	
D		mm(in.)	235(9-1/4)		
H		mm(in.)	340(13-3/8)		
Weight		kg(lbs)		16(35)	

Service Ref.			PKA-RP50GAL, PKA-RP50GAL#1		
INDOOR UNIT	Mode		Cooling	Heating	
	Power supply(phase, cycle, voltage)		Single phase, 50Hz, 230V		
	Input	kW	0.07	0.07	
	Running current	A	0.33	0.33	
	Starting current	A	0.40	0.40	
	External finish		Munsell 0.70Y 8.59/0.97		
	Heat exchanger		Plate fin coil		
	Fan	Fan(drive) x No.		Line flow (direct) x 1	
		Fan motor output	kW	0.030	
		Airflow(Low-Medium2-Medium1-High)	m ³ /min(CFM)	9-10-11-12(320-355-390-425)	
		External static pressure	Pa(mmAq)	0(direct blow)	
	Operation control & Thermostat		Wireless remote controller & built-in		
	Noise level(Low-Medium2-Medium1-High)		dB		36-38-41-43
	Unit drain pipe O.D.		mm(in.)		20(13/16)
	Dimensions	W	mm(in.)	990(39)	
D		mm(in.)	235(9-1/4)		
H		mm(in.)	340(13-3/8)		
Weight		kg(lbs)		16(35)	



Service Ref.			PKH-P35GALH		
INDOOR UNIT	Mode		Cooling	Heating	
	Power supply(phase, cycle,voltage)		Single phase, 50Hz, 230V		
	Input	*1 kW	0.07	0.07<0.73>	
	Running current	*1 A	0.33	0.33<3.17>	
	Starting current	*1 A	0.40	0.40<3.17>	
	External finish		Munsell 0.70Y8.59/0.97		
	Heat exchanger		Plate fin coil		
	Fan	Fan(drive) x No.		Line flow (direct) x 1	
		Fan motor output		0.030	
		Airflow(Low-Medium2-Medium1-High)	m ³ /min(CFM)	9-10-11-12(318-353-388-424)	
		External static pressure	Pa(mmAq)	0(direct blow)	
	Booster heater	*1 kW	<0.73>		
	Operation control & Thermostat		Wireless remote controller & built-in		
	Noise level(Low-Medium2-Medium1-High)		dB 36-38-41-43		
	Unit drain pipe O.D.		mm(in.) 20(13/16)		
Dimensions	W	mm(in.)	990(39)		
	D	mm(in.)	235(9-1/4)		
	H	mm(in.)	340(13-3/8)		
Weight		kg(lbs) 17(37)			

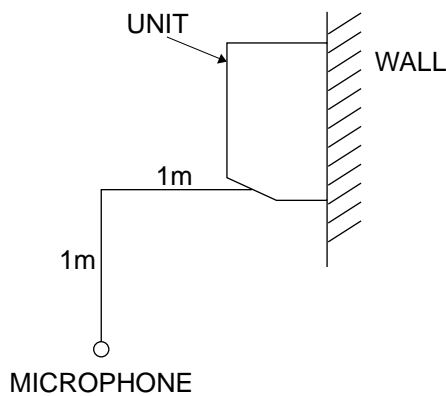
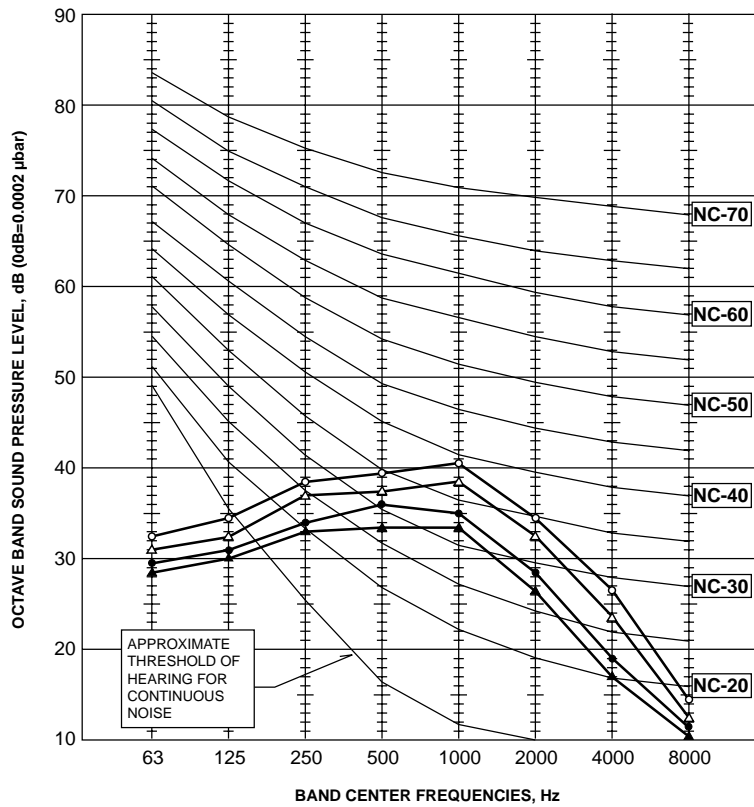
*1 : < > Shows the only booster heater rating.

Service Ref.			PKH-P50GALH		
INDOOR UNIT	Mode		Cooling	Heating	
	Power supply(phase, cycle,voltage)		Single phase, 50Hz, 230V		
	Input	*1 kW	0.07	0.07<0.73>	
	Running current	*1 A	0.33	0.33<3.17>	
	Starting current	*1 A	0.40	0.40<3.17>	
	External finish		Munsell 0.70Y 8.59/0.97		
	Heat exchanger		Plate fin coil		
	Fan	Fan(drive) x No.		Line flow (direct) x 1	
		Fan motor output		0.030	
		Airflow(Low-Medium2-Medium1-High)	m ³ /min(CFM)	9-10-11-12(318-353-388-424)	
		External static pressure	Pa(mmAq)	0(direct blow)	
	Booster heater	*1 kW	<0.73>		
	Operation control & Thermostat		Wireless remote controller & built-in		
	Noise level(Low-Medium2-Medium1-High)		dB 36-38-41-43		
	Unit drain pipe O.D.		mm(in.) 20(13/16)		
Dimensions	W	mm(in.)	990(39)		
	D	mm(in.)	235(9-1/4)		
	H	mm(in.)	340(13-3/8)		
Weight		kg(lbs) 17(37)			

*1 : < > Shows the only booster heater rating.

PKA-RP35/50GAL
 PKA-RP35/50GAL#1
 PKH-P35/50GALH

NOTCH	SPL(dB)	LINE
High	43	○—○
Medium1	41	△—△
Medium2	38	●—●
Low	36	▲—▲

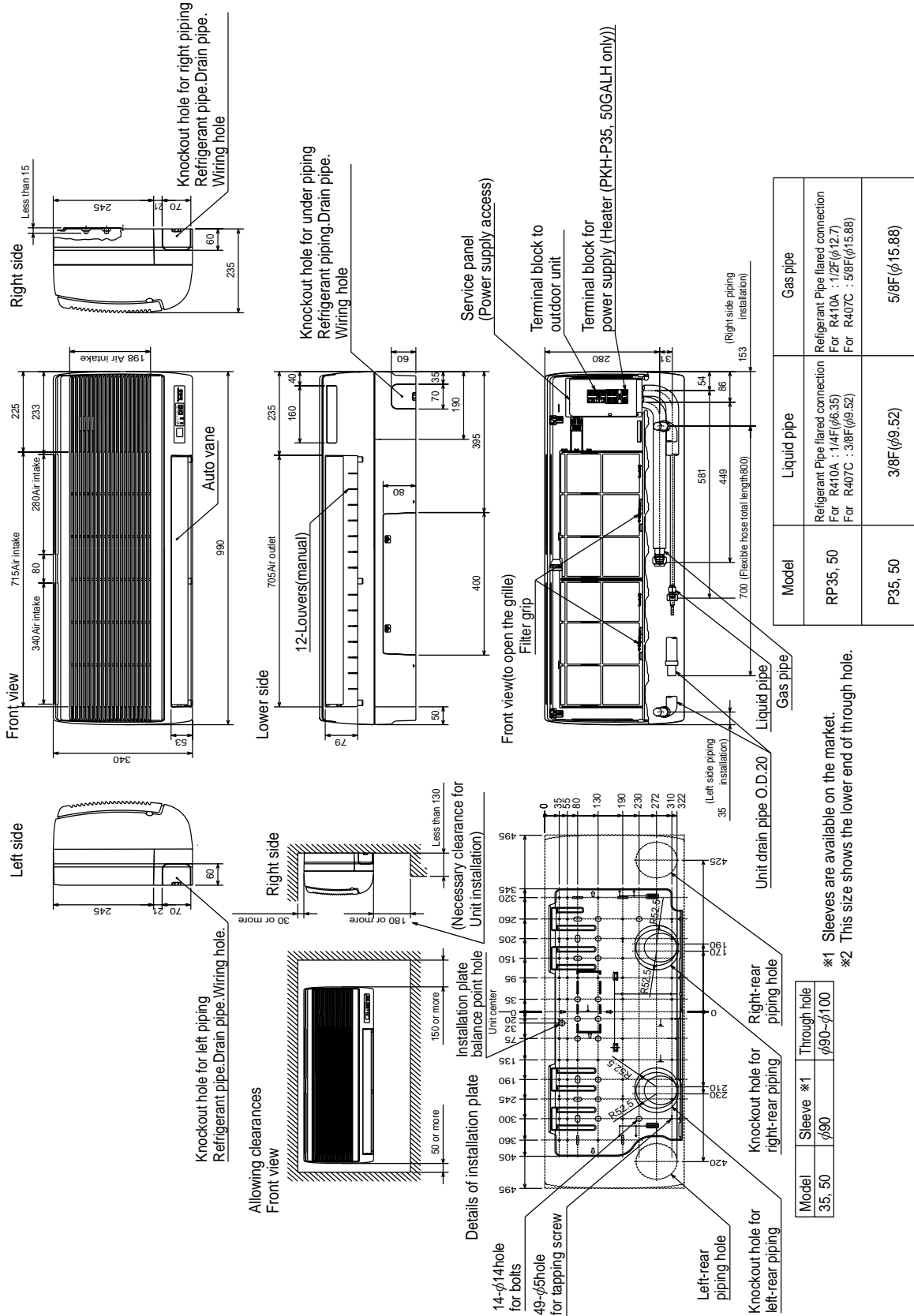


INDOOR UNIT
PKH-P35GALH
PKH-P50GALH

PKA-RP35GAL
PKA-RP50GAL

PKA-RP35GAL#1
PKA-RP50GAL#1

Unit : mm



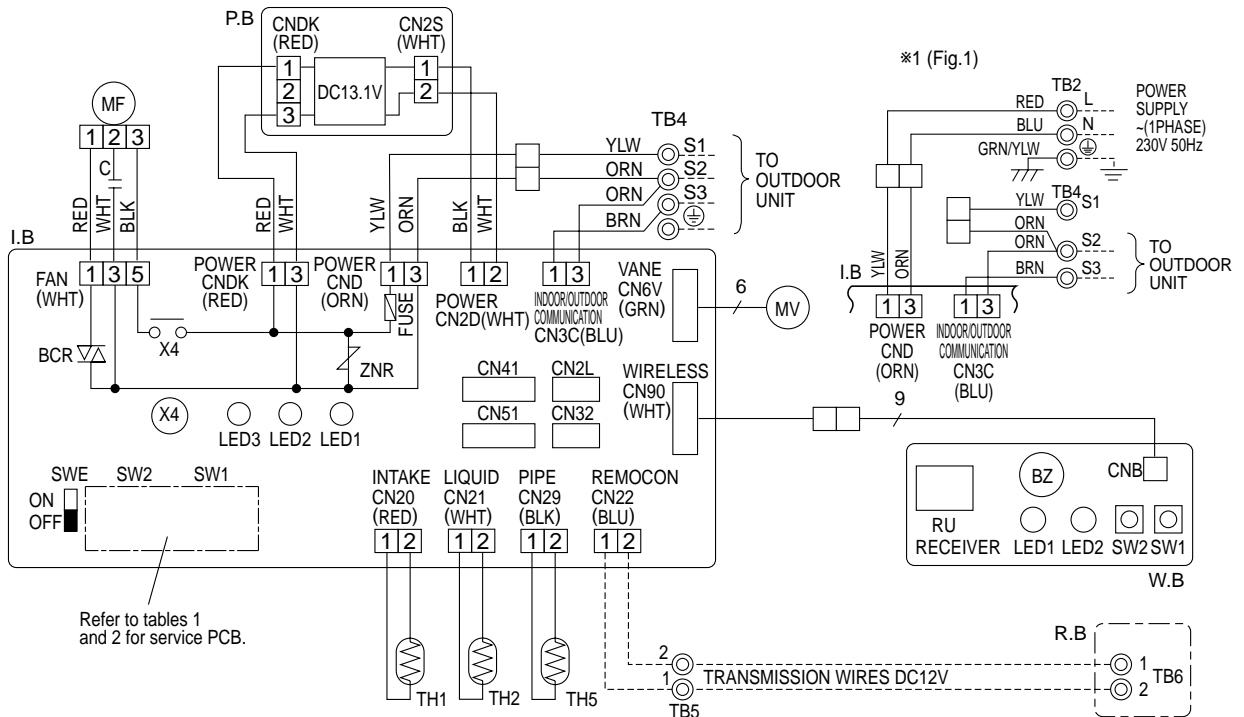
*1 Sleeves are available on the market.
 *2 This size shows the lower end of through hole.

Model	Sleeve *1	Through hole
35, 50	φ90	φ90~φ100

PKH-P35GALH
PKH-P50GALH

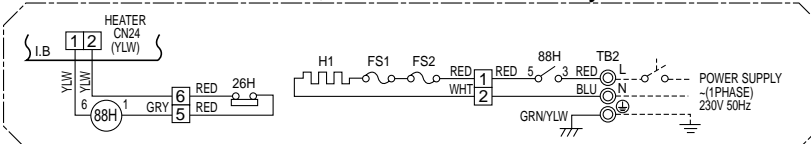
PKA-RP35GAL
PKA-RP50GAL

PKA-RP35GAL#1
PKA-RP50GAL#1

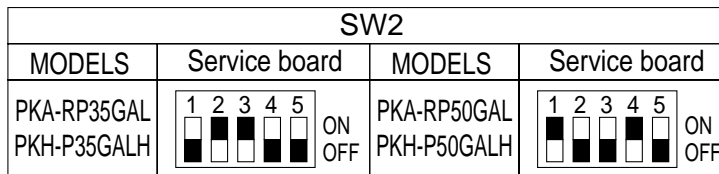
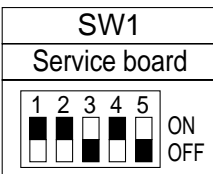


Refer to tables 1 and 2 for service PCB.

PKH-P35,50GALH models only



Please set the voltage using the remote controller. For the setting method, please refer to the indoor unit Installation Manual.



The black square (■) indicates a switch position.

SYMBOL	NAME	SYMBOL	NAME	SYMBOL	NAME
P.B	INDOOR POWER BOARD	C	CAPACITOR <FAN MOTOR>	W.B	WIRELESS REMOTE CONTROLLER BOARD
I.B	INDOOR CONTROLLER BOARD	MF	FAN MOTOR	RU	RECEIVING UNIT
FUSE	FUSE (T6.3AL250V)	MV	VANE MOTOR	BZ	BUZZER
ZNR	VARIATOR	TB2	TERMINAL BLOCK (HEATER) *PKH-P.GALH models only or option for PKA-RP.GAL models.	LED1	LED <RUN INDICATOR>
CN2L	CONNECTOR <LOSSNAY>	TB4	TERMINAL BLOCK <INDOOR/ OUTDOOR CONNECTING LINE>	LED2	LED <HOT ADJUST>
CN32	CONNECTOR <REMOTE SWITCH>	TB5, TB6	TERMINAL BLOCK <REMOTE CONTROLLER TRANSMISSION LINE> <OPTION>	SW1	SWITCH (HEATING ON/ OFF)
CN41	CONNECTOR <HA TERMINAL-A>			SW2	SWITCH (COOLING ON/ OFF)
CN51	CONNECTOR <CENTRALLY CONTROL>			R.B	WIRED REMOTE CONTROLLER BOARD
SW1	SWITCH <MODEL SELECTION>*See Table 1.	TH1	ROOM TEMP.THERMISTOR <0°C/ 15kΩ, 25°C/ 5.4kΩ DETECT>	HEATER	
SW2	SWITCH <CAPACITY CODE>*See Table 2.	TH2	PIPE TEMP.THERMISTOR/ LIQUID <0°C/ 15kΩ, 25°C/ 5.4kΩ DETECT>	FS1	THERMAL FUSE <104°C 10A>
SWE	SWITCH <EMERGENCY OPERATION>	TH5	COND/ EVA.TEMP.THERMISTOR <0°C/ 15kΩ, 25°C/ 5.4kΩ DETECT>	FS2	THERMAL FUSE <84°C 10A>
X4	RELAY <FAN MOTOR>			H1	HEATER
BCR	FAN CONTROL ELEMENT			26H	HEATER THERMAL SWITCH
LED1	POWER SUPPLY <I.B>			88H	HEATER CONTACTOR
LED2	POWER SUPPLY <R.B>				
LED3	TRANSMISSION <INDOOR-OUTDOOR>				

NOTES:

- Since the outdoor side electric wiring may change be sure to check the outdoor unit electric wiring for servicing.
- Indoor and outdoor connecting wires are made with polarities, make wiring matching terminal numbers (S1, S2, S3).
- Make sure that the main power supply of the booster heater is independent.
- Symbols used in wiring diagram above are, □□□: Connector, ⊙: Terminal (block).
 - *1. When work to supply power separately to Indoor and Outdoor unit was applied, refer to Fig 1.
 - *2. For power supply system of this unit, refer to the caution label located near this diagram.

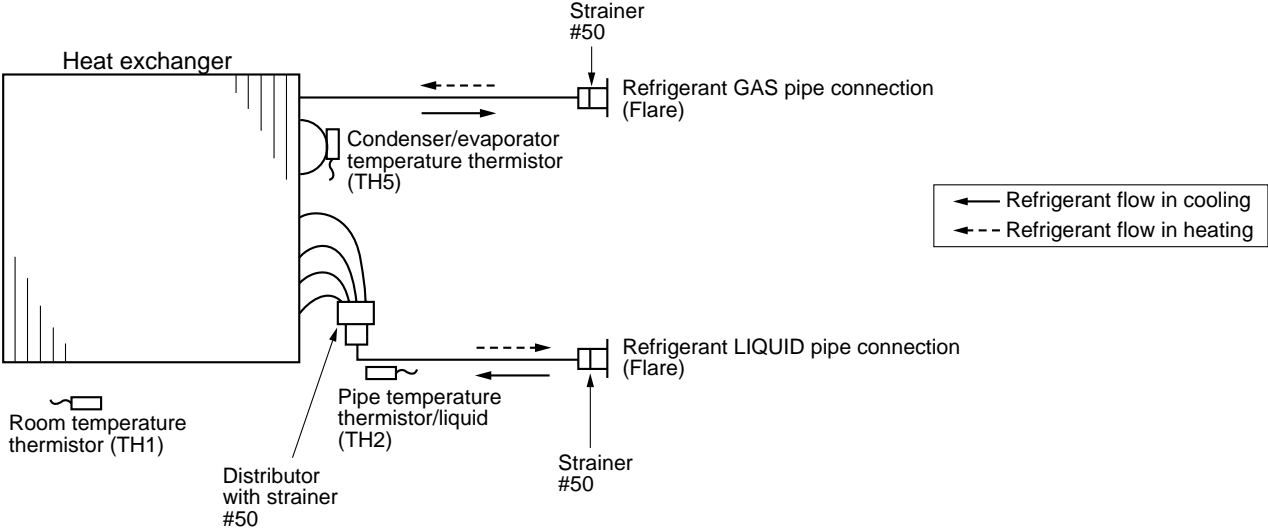
9

REFRIGERANT SYSTEM DIAGRAM

PKH-P35GALH
PKH-P50GALH

PKA-RP35GAL
PKA-RP50GAL

PKA-RP35GAL#1
PKA-RP50GAL#1



10-1. TROUBLESHOOTING

<Error code display by self-diagnosis and actions to be taken for service (summary)>

Present and past error codes are logged and displayed on the wired remote controller or controller board of outdoor unit. Actions to be taken for service and the trouble reoccurrence at field are summarized in the table below. Check the contents below before investigating details.

Unit conditions at service	Error code	Actions to be taken for service (summary)
The trouble is reoccurring.	Displayed	Judge what is wrong and take a corrective action according to "SELF-DIAGNOSIS ACTION TABLE" (10-3).
	Not displayed	Conduct troubleshooting and ascertain the cause of the trouble according to "TROUBLESHOOTING OF PROBLEMS" (10-4).
The problem is not reoccurring.	Logged	<ul style="list-style-type: none"> ①Consider the temporary defects such as the work of protection devices in the refrigerant circuit including compressor, poor connection of wiring, noise and etc. Re-check the symptom, and check the installation environment, refrigerant amount, weather when the trouble occurred, matters related to wiring and etc. ②Reset error code logs and restart the unit after finishing service. ③There is no abnormality in electrical component, controller board, remote controller and etc.
	Not logged	<ul style="list-style-type: none"> ①Re-check the abnormal symptom. ②Conduct troubleshooting and ascertain the cause of the trouble according to "TROUBLESHOOTING OF PROBLEMS" (10-4). ③Continue to operate unit for the time being if the cause is not ascertained. ④There is no abnormality concerning of parts such as electrical component, controller board, remote controller and etc.



10-2. MALFUNCTION-DIAGNOSIS METHOD BY REMOTE CONTROLLER

<In case of trouble during operation>

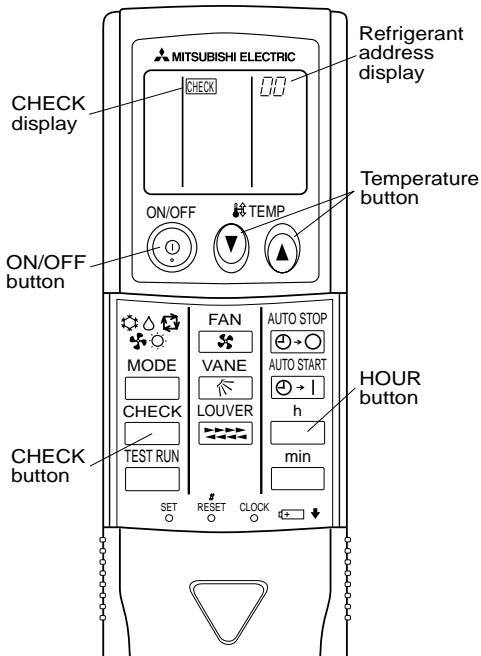
When a malfunction occurs to air conditioner, both indoor unit and outdoor unit will stop and operation lamp blinks to inform unusual stop.

<Malfunction-diagnosis method at maintenance service>

[Procedure]

1. Press the CHECK button twice.
 - "CHECK" lights, and refrigerant address "00" flashes.
 - Check that the remote controller's display has stopped before continuing.
2. Press the temperature   buttons.
 - Select the refrigerant address of the indoor unit for the self-diagnosis.

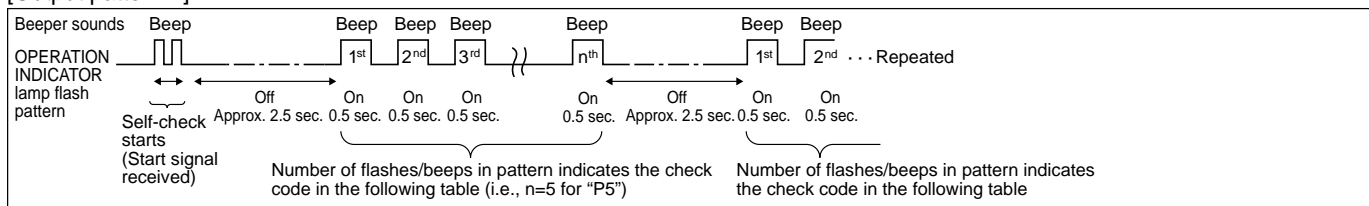
Note: Set refrigerant address using the outdoor unit's DIP switch (SW1). (For more information, see the outdoor unit installation manual.)
3. Point the remote controller at the sensor on the indoor unit and press the HOUR button.
 - If an air conditioner error occurs, the indoor unit's sensor emits an intermittent buzzer sound, the operation light flashes, and the error code is output. (It takes 3 seconds at most for error code to appear.)
4. Point the remote controller at the sensor on the indoor unit and press the ON/OFF button.
 - The check mode is cancelled.



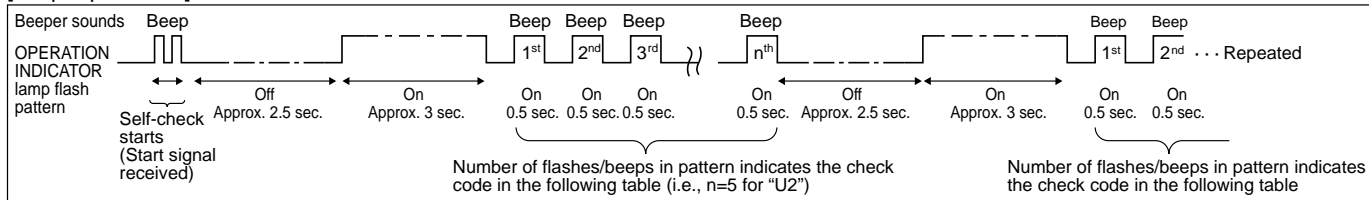
To be continued to the next page.

• Refer to the following tables for details on the check codes.

[Output pattern A]



[Output pattern B]



[Output pattern A] Errors detected by indoor unit

Wireless remote controller Beeper sounds/OPERATION INDICATOR lamp flashes (Number of times)	Wired remote controller Check code	Symptom	Remark
1	P1	Intake sensor error	—
2	P2	Pipe (TH2) sensor error	
	P9	Pipe (TH5) sensor error	
3	E6, E7	Indoor/outdoor unit communication error	
4	P4	Drain sensor error	
5	P5	Drain pump error	
	PA	Forced compressor stop(due to water leakage abnormality)	
6	P6	Freezing/Overheating protection operation	
7	EE	Communication error between indoor and outdoor units	
8	P8	Pipe temperature error	
9	E4, E5	Remote controller signal receiving error	
10	—	—	
11	—	—	
12	Fb	Indoor unit control system error (memory error, etc.)	
—	E0, E3	Remote controller transmission error	
—	E1, E2	Remote controller control board error	

[Output pattern B] Errors detected by unit other than indoor unit (outdoor unit, etc.)

Wireless remote controller Beeper sounds/OPERATION INDICATOR lamp flashes (Number of times)	Wired remote controller Check code	Symptom	Remark
1	E9	Indoor/outdoor unit communication error (Transmitting error) (Outdoor unit)	For details, check the LED display of the outdoor controller board. As for outdoor unit, refer to outdoor unit's service manual.
2	UP	Compressor overcurrent interruption	
3	U3, U4	Open/short of outdoor unit thermistors	
4	UF	Compressor overcurrent interruption (When compressor locked)	
5	U2	Abnormal high discharging temperature/49C operated/insufficient refrigerant	
6	U1, Ud	Abnormal high pressure (63H operated)/Overheating protection operation	
7	U5	Abnormal temperature of heat sink	
8	U8	Outdoor unit fan protection stop	
9	U6	Compressor overcurrent interruption/Abnormal of power module	
10	U7	Abnormality of super heat due to low discharge temperature	
11	U9, UH	Abnormality such as overvoltage or voltage shortage and abnormal synchronous signal to main circuit/Current sensor error	
12	—	—	
13	—	—	
14	Others	Other errors (Refer to the technical manual for the outdoor unit.)	

*1 If the beeper does not sound again after the initial 2 beeps to confirm the self-check start signal was received and the OPERATION INDICATOR lamp does not come on, there are no error records.

*2 If the beeper sounds 3 times continuously "beep, beep, beep (0.4 + 0.4 + 0.4 sec.)" after the initial 2 beeps to confirm the self-check start signal was received, the specified refrigerant address is incorrect.

- On wireless remote controller
The continuous buzzer sounds from receiving section of indoor unit.
Blink of operation lamp
- On wired remote controller
Check code displayed in the LCD.
- If the unit cannot be operated properly after test run, refer to the following table to find the cause.

Symptom		Cause
Wired remote controller	LED 1, 2 (PCB in outdoor unit)	
PLEASE WAIT	For about 2 minutes after power-on	After LED 1, 2 are lighted, LED 2 is turned off, then only LED 1 is lighted. (Correct operation)
PLEASE WAIT → Error code	Subsequent to about 2 minutes after power-on	•For about 2 minutes following power-on, operation of the remote controller is not possible due to system start-up. (Correct operation)
Display messages do not appear even when operation switch is turned ON (operation lamp does not light up).		Only LED 1 is lighted. → LED 1, 2 blink.
		•Connector for the outdoor unit's protection device is not connected. •Reverse or open phase wiring for the outdoor unit's power terminal block (L1, L2, L3)
		•Incorrect wiring between indoor and outdoor units (incorrect polarity of S1, S2, S3) •Remote controller wire short

On the wireless remote controller with condition above, following phenomena take place.

- No signals from the remote controller can be received.
- Operation lamp is blinking.
- The buzzer makes a short ping sound.

Note:

Operation is not possible for about 30 seconds after cancellation of function selection. (Correct operation)

For description of each LED (LED1, 2, 3) provided on the indoor controller, refer to the following table.

LED1 (power for microprocessor)	Indicates whether control power is supplied. Make sure that this LED is always lit.
LED2 (power for remote controller)	Indicates whether power is supplied to the remote controller. This LED lights only in the case of the indoor unit which is connected to the outdoor unit refrigerant addresses "0".
LED3 (communication between indoor and outdoor units)	Indicates state of communication between the indoor and outdoor units. Make sure that this LED is always blinking.

Note: Refer to the manual of outdoor unit for the details of display such as F, U, and other E.

10-3. SELF-DIAGNOSIS ACTION TABLE

Error Code	Abnormal point and detection method	Cause	Countermeasure
P1	<p>Room temperature thermistor (TH1)</p> <p>① The unit is in 3-minute resume prevention mode if short/open of thermistor is detected. Abnormal if the unit does not reset normally after 3 minutes. (The unit returns to normal operation, if it has been reset normally.)</p> <p>② Constantly detected during cooling, drying, and heating operation. Short: -90°C or more Open: -40°C or less</p>	<p>① Defective thermistor characteristics</p> <p>② Contact failure of connector (CN20) on the indoor controller board (Insert failure)</p> <p>③ Breaking of wire or contact failure of thermistor wiring</p> <p>④ Defective indoor controller board</p>	<p>①-③ Check resistance value of thermistor. 0°C 15.0kΩ 10°C 9.6kΩ 20°C 6.3kΩ 30°C 4.3kΩ 40°C 3.0kΩ</p> <p>If you put force on (draw or bend) the lead wire with measuring resistance value of thermistor, breaking of wire or contact failure can be detected.</p> <p>② Check contact failure of connector (CN20) on the indoor controller board. Refer to 10-7-1. Turn the power on again and check restart after inserting connector again.</p> <p>④ Check room temperature display on remote controller. Replace indoor controller board if there is abnormal difference with actual room temperature.</p> <p>Turn the power off, and on again to operate after check.</p>
P2	<p>Pipe temperature thermistor/Liquid (TH2)</p> <p>① The unit is in 3-minute resume prevention mode if short/open of thermistor is detected. Abnormal if the unit does not reset normally after 3 minutes. (The unit returns to normal operation, if it has been reset normally.)</p> <p>② Constantly detected during cooling, drying, and heating (except defrosting) operation Short: 90°C or more Open: -40°C or less</p>	<p>① Defective thermistor characteristics</p> <p>② Contact failure of connector (CN44) on the indoor controller board (Insert failure)</p> <p>③ Breaking of wire or contact failure of thermistor wiring</p> <p>④ Defective refrigerant circuit is causing thermistor temperature of 90°C or more or -40°C or less.</p> <p>⑤ Defective indoor controller board</p>	<p>①-③ Check resistance value of thermistor. For characteristics, refer to (P1) above.</p> <p>② Check contact failure of connector (CN44) on the indoor controller board. Refer to 10-7-1. Turn the power on and check restart after inserting connector again.</p> <p>④ Check pipe <liquid> temperature with remote controller in test run mode. If pipe <liquid> temperature is extremely low (in cooling mode) or high (in heating mode), refrigerant circuit may have defective.</p> <p>⑤ Check pipe <liquid> temperature with remote controller in test run mode. If there is extremely difference with actual pipe <liquid> temperature, replace indoor controller board.</p> <p>Turn the power off, and on again to operate after check.</p>
P4	<p>Drain sensor (DS)</p> <p>① Suspensive abnormality, if short/open of thermistor is detected for 30 seconds continuously. Compressor and indoor fan will be turned off</p> <p>② Short/open is detected for 30 seconds continuously during suspensive abnormality. (The unit returns to normal operation, if it has normally reset.)</p> <p>③ Detect the following condition.</p> <ul style="list-style-type: none"> • During cooling and drying operation. • In case that pipe <liquid> temperature - room temperature <-10deg (Except defrosting) • When pipe <liquid> temperature or room temperature is short/open temperature. • During drain pump operation. 	<p>① Defective thermistor characteristics</p> <p>② Contact failure of connector (CN31) on the indoor controller board. (Insert failure).</p> <p>③ Breaking of wire or contact failure of drain sensor wiring.</p> <p>④ Defective indoor controller board.</p>	<p>①-③ Check resistance value of thermistor. 0°C 6.0kΩ 10°C 3.9kΩ 20°C 2.6kΩ 30°C 1.8kΩ 40°C 1.3kΩ</p> <p>② Check contact failure of connector (CN31) on the indoor controller board. Refer to 10-7-1. Turn the power on again and check restart after inserting connector again.</p> <p>④ Replace indoor controller board if drain pump operates with the line of drain sensor connector CN31-① and ② is short-circuited, and abnormality reappears.</p> <p>Turn the power off, and on again to operate after check.</p>
P5	<p>Malfunction of drain pump (DP)</p> <p>① Suspensive abnormality, if thermistor of drain sensor is let heat itself and temperature rises slightly. Compressor and indoor fan will be turned off.</p> <p>② Drain pump is abnormal if the condition above is detected during suspensive abnormality.</p> <p>③ Constantly detected during drain pump operation.</p>	<p>① Malfunction of drain pump</p> <p>② Defective drain Clogged drain pump Clogged drain pipe</p> <p>③ Attached drop of water at the drain sensor</p> <ul style="list-style-type: none"> • Drops of drain trickles from lead wire. • Clogged filter is causing wave of drain. <p>④ Defective indoor controller board.</p>	<p>① Check if drain-up machine works.</p> <p>② Check drain function.</p> <p>③ Check the setting of lead wire of drain sensor and check clogs of the filter.</p> <p>④ Replace indoor controller board if drain pump operates with the line of drain sensor connector CN31-① and ② is short-circuited and abnormality reappears. Refer to 10-7-1.</p> <p>Turn the power off, and on again to operate after check.</p>

Error Code	Abnormal point and detection method	Cause	Countermeasure
P6	<p>Freezing/overheating protection is operating</p> <p>① Freezing protection (Cooling mode) The unit is in 6-minute resume prevention mode if pipe <liquid or condenser/evaporator> temperature stays under -15°C for 3 minutes, 3 minutes after the compressor started. Abnormal if it stays under -15°C for 3 minutes again within 16 minutes after 6-minute resume prevention mode.</p> <p>② Overheating protection (Heating mode) The units is in 6 minute resume prevention mode if pipe <condenser / evaporator> temperature is detected as over 70°C after the compressor started. Abnormal if the temperature of over 70°C is detected again within 30 minutes after 6 minute resume prevention mode.</p>	<p>(Cooling or drying mode)</p> <p>① Clogged filter (reduced airflow) ② Short cycle of air path ③ Low-load (low temperature) operation out of the tolerance range ④ Defective indoor fan motor • Fan motor is defective. • Indoor controller board is defective.</p> <p>⑤ Defective outdoor fan control ⑥ Overcharge of refrigerant ⑦ Defective refrigerant circuit (clogs)</p> <p>(Heating mode)</p> <p>① Clogged filter (reduced airflow) ② Short cycle of air path ③ Over-load (high temperature) operation out of the tolerance range ④ Defective indoor fan motor • Fan motor is defective. • Indoor controller board is defective. ⑤ Defective outdoor fan control ⑥ Overcharge of refrigerant ⑦ Defective refrigerant circuit (clogs) ⑧ Bypass circuit of outdoor unit is defective.</p>	<p>(Cooling or drying mode)</p> <p>① Check clogs of the filter. ② Remove shields.</p> <p>④ Refer to 10-7-1.</p> <p>⑤ Check outdoor fan motor. ⑥⑦ Check operating condition of refrigerant circuit.</p> <p>(Heating mode)</p> <p>① Check clogs of the filter. ② Remove shields.</p> <p>④ Refer to 10-7-1.</p> <p>⑤ Check outdoor fan motor. ⑥~⑧ Check operating condition of refrigerant circuit.</p>
P8	<p>Pipe temperature <Cooling mode> Detected as abnormal when the pipe temperature is not in the cooling range 3 minutes after compressor start and 6 minutes after the liquid or condenser/evaporator pipe is out of cooling range. Note 1) It takes at least 9 minutes to detect. Note 2) Abnormality P8 is not detected in drying mode. Cooling range : -3 °C ≧ (TH-TH1) TH: Lower temperature between: liquid pipe temperature (TH2) and condenser/evaporator temperature (TH5) TH1: Intake temperature</p> <p><Heating mode> When 10 seconds have passed after the compressor starts operation and the hot adjustment mode has finished, the unit is detected as abnormal when condenser/evaporator pipe temperature is not in heating range within 20 minutes. Note 3) It takes at least 27 minutes to detect abnormality. Note 4) It excludes the period of defrosting. (Detection restarts when defrosting mode is over.) Heating range : 3 °C ≦ (TH5-TH1)</p>	<p>① Slight temperature difference between indoor room temperature and pipe <liquid or condenser/evaporator> temperature thermistor • Shortage of refrigerant • Disconnected holder of pipe <liquid or condenser/evaporator> thermistor • Defective refrigerant circuit ② Converse connection of extension pipe (on plural units connection) ③ Converse wiring of indoor/outdoor unit connecting wire (on plural units connection) ④ Defective detection of indoor room temperature and pipe <condenser/evaporator> temperature thermistor ⑤ Stop valve is not opened completely.</p>	<p>①~④ Check pipe <liquid or condenser/evaporator> temperature with room temperature display on remote controller and outdoor controller circuit board. Pipe <liquid or condenser/evaporator> temperature display is indicated by setting SW2 of outdoor controller circuit board as follows.</p> <p>(Conduct temperature check with outdoor controller circuit board after connecting 'A-Control Service Tool(PAC-SK52ST)')</p> <p>②③ Check converse connection of extension pipe or converse wiring of indoor/outdoor unit connecting wire.</p>



Error Code	Abnormal point and detection method	Cause	Countermeasure
P9	<p>Pipe temperature thermistor/ Condenser-Evaporator (TH5)</p> <p>① The unit is in 3-minute resume protection mode if short/open of thermistor is detected. Abnormal if the unit does not get back to normal within 3 minutes. (The unit returns to normal operation, if it has been reset normally.)</p> <p>② Constantly detected during cooling, drying, and heating operation (except defrosting) Short: 90°C or more Open: -40°C or less</p>	<p>① Defective thermistor characteristics</p> <p>② Contact failure of connector (CN29) on the indoor controller board (Insert failure)</p> <p>③ Breaking of wire or contact failure of thermistor wiring</p> <p>④ Temperature of thermistor is 90°C or more or -40°C or less caused by defective refrigerant circuit.</p> <p>⑤ Defective indoor controller board</p>	<p>①-③ Check resistance value of thermistor. For characteristics, refer to (P1) above.</p> <p>② Check contact failure of connector (CN29) on the indoor controller board. Refer to 10-7-1. Turn the power on and check restart after inserting connector again.</p> <p>④ Operate in test run mode and check pipe <condenser/evaporator> temperature with outdoor controller circuit board. If pipe <condenser/evaporator> temperature is extremely low (in cooling mode) or high (in heating mode), refrigerant circuit may have defect.</p> <p>⑤ Operate in test run mode and check pipe <condenser/evaporator> temperature with outdoor control circuit board. If there is extreme difference with actual pipe <condenser/evaporator> temperature, replace indoor controller board. There is no abnormality if none of above comes within the unit. Turn the power off and on again to operate.</p> <p>(In case of checking pipe temperature with outdoor controller circuit board, be sure to connect A-control service tool (PAC-SK52ST).)</p>
E0 or E4	<p>Remote controller transmission error(E0)/signal receiving error(E4)</p> <p>① Abnormal if main or sub remote controller cannot receive any transmission normally from indoor unit of refrigerant address "0" for 3 minutes. (Error code : E0)</p> <p>② Abnormal if sub remote controller could not receive any signal for 2 minutes. (Error code: E0)</p> <p>① Abnormal if indoor controller board can not receive any data normally from remote controller board or from other indoor controller board for 3 minutes. (Error code: E4)</p> <p>② Indoor controller board cannot receive any signal from remote controller for 2 minutes. (Error code: E4)</p>	<p>① Contact failure at transmission wire of remote controller</p> <p>② All remote controllers are set as "sub" remote controller. In this case, E0 is displayed on remote controller, and E4 is displayed at LED (LED1, LED2) on the outdoor controller circuit board.</p> <p>③ Miswiring of remote controller</p> <p>④ Defective transmitting receiving circuit of remote controller</p> <p>⑤ Defective transmitting receiving circuit of indoor controller board of refrigerant addresses "0".</p> <p>⑥ Noise has entered into the transmission wire of remote controller.</p>	<p>① Check disconnection or looseness of indoor unit or transmission wire of remote controller.</p> <p>② Set one of the remote controllers "main" if there is no problem with the action above.</p> <p>③ Check wiring of remote controller.</p> <ul style="list-style-type: none"> • Total wiring length: max. 500m (Do not use cable x 3 or more.) • The number of connecting indoor units: max. 16 units • The number of connecting remote controller: max. 2 units <p>When it is not the above-mentioned problem of ①-③</p> <p>④ Diagnose remote controllers.</p> <p>a) When "RC OK" is displayed, Remote controllers have no problem. Turn the power off, and on again to check. If abnormality generates again, replace indoor controller board.</p> <p>b) When "RC NG" is displayed, Replace remote controller.</p> <p>c) When "RC E3" or "ERC 00-66" is displayed, noise may be causing abnormality.</p> <p>* If the unit is not normal after replacing indoor controller board in group control, indoor controller board of address "0" may be abnormal.</p>
E3 or E5	<p>Remote controller transmission error(E3)/signal receiving error(E5)</p> <p>① Abnormal if remote controller could not find blank of transmission path for 6 seconds and could not transmit. (Error code: E3)</p> <p>② Remote controller receives transmitted data at the same time and compares the received and transmitted data. Abnormal if these data are judged to be different 30 continuous times. (Error code: E3)</p> <p>① Abnormal if indoor controller board could not find blank of transmission path. (Error code: E5)</p> <p>② Indoor controller board receives transmitted data at the same time and compares the received and transmitted data. Abnormal if these data are judged to be different 30 continuous times. (Error code: E5)</p>	<p>① 2 remote controllers are set as "main." (In case of 2 remote controllers)</p> <p>② Remote controller is connected with 2 indoor units or more.</p> <p>③ Repetition of refrigerant address</p> <p>④ Defective transmitting receiving circuit of remote controller</p> <p>⑤ Defective transmitting receiving circuit of indoor controller board</p> <p>⑥ Noise has entered into transmission wire of remote controller.</p>	<p>① Set a remote controller to main, and the other to sub.</p> <p>② Remote controller is connected with only one indoor unit.</p> <p>③ The address changes to a separate setting.</p> <p>④-⑥ Diagnose remote controller.</p> <p>a) When "RC OK" is displayed, remote controllers have no problem. Turn the power off, and on again to check. When becoming abnormal again, replace indoor controller board.</p> <p>b) When "RC NG" is displayed, replace remote controller.</p> <p>c) When "RC E3" or "ERC 00-66" is displayed, noise may be causing abnormality.</p>



Error Code	Abnormal point and detection method	Cause	Countermeasure
E6	Indoor/outdoor unit communication error (Signal receiving error) ① Abnormal if indoor controller board cannot receive any signal normally for 6 minutes after turning the power on. ② Abnormal if indoor controller board cannot receive any signal normally for 3 minutes. ③ Consider the unit abnormal under the following condition: When 2 or more indoor units are connected to an outdoor unit, indoor controller board cannot receive a signal for 3 minutes from outdoor controller circuit board, a signal which allows outdoor controller circuit board to transmit signals.	① Contact failure, short circuit or, miswiring (converse wiring) of indoor/outdoor unit connecting wire ② Defective transmitting receiving circuit of indoor controller board ③ Defective transmitting receiving circuit of indoor controller board ④ Noise has entered into indoor/outdoor unit connecting wire.	* Check LED display on the outdoor control circuit board. (Connect A-control service tool, PAC-SK52ST.) Refer to outdoor unit service manual. ① Check disconnection or looseness of indoor/outdoor unit connecting wire of indoor unit or outdoor unit. Check all the units in case of twin triple indoor unit system. ②-④ Turn the power off, and on again to check. If abnormality generates again, replace indoor controller board or outdoor controller circuit board. * Other indoor controller board may have defect in case of twin triple indoor unit system.
E7	Indoor/outdoor unit communication error (Transmitting error) Abnormal if "1" receiving is detected 30 times continuously though indoor controller board has transmitted "0".	① Defective transmitting receiving circuit of indoor controller board ② Noise has entered into power supply. ③ Noise has entered into outdoor control wire.	①-③ Turn the power off, and on again to check. If abnormality generates again, replace indoor controller board.
Fb	Indoor controller board Abnormal if data cannot be read normally from the nonvolatile memory of the indoor controller board.	① Defective indoor controller board	① Replace indoor controller board.
E1 or E2	Remote controller control board ① Abnormal if data cannot be read normally from the nonvolatile memory of the remote controller control board. (Error code: E1) ② Abnormal if the clock function of remote controller cannot be operated normally. (Error code: E2)	① Defective remote controller	① Replace remote controller.
PA	Forced compressor stop (due to water leakage abnormality) ① When the intake temperature subtracted with liquid pipe temperature is less than -10°C, drain sensor is detected whether it is soaked in the water or not at the interval of 90 seconds. (Drain pump will start operating when the drain sensor is detected to be soaked in the water.) ② The unit has a water leakage abnormality when the following conditions, a and b, are satisfied while the above-mentioned detection is performed. a) The drain sensor is detected to be soaked in the water 10 times in a row. b) The intake temperature subtracted with liquid pipe temperature is detected to be less than -10°C for a total of 30 minutes. (When the drain sensor is detected to be NOT soaked in the water, the detection record of a and b will be cleared.) ③ The drain sensor detection is performed in operations other than cooling. (When the unit stops operating, during heating or fan operation, when the unit stops because of some abnormality) * Once the water leakage abnormality is detected, abnormality state will not be released until the main power is reset.	① Drain pump trouble ② Drain defective · Drain pump clogging · Drain pipe clogging ③ Open circuit of drain sensor side heater ④ Contact failure of drain sensor connector ⑤ Dew condensation on drain sensor · Drain water descends along lead wire. · Drain water waving due to filter clogging. ⑥ Extension piping connection difference at twin, triple, quadruple system. ⑦ Mis-wiring of indoor/ outdoor connecting at twin, triple, quadruple system. ⑧ Room temperature thermistor/ liquid pipe temperature thermistor detection is defective.	① Check the drain pump. ② Please confirm whether water can be drained. ③ Confirm the resistance of the drain sensor. ④ Check the connector contact failure. ⑤ Check the drain sensor leadwire mounted. Check the filter clogging ⑥ Check the piping connection. ⑦ Check the indoor/ outdoor connecting wires. ⑧ Check the room temperature display of remote controller. Check the indoor liquid pipe temperature display of outdoor controller board.

10-4. TROUBLESHOOTING OF PROBLEMS

Note: Refer to the manual of outdoor unit for the detail of remote controller.



Phenomena	Cause	Countermeasure
(1) LED2 on indoor controller board is off.	<ul style="list-style-type: none"> • When LED1 on indoor controller board is also off. <p>① Power supply of rated voltage is not supplied to outdoor unit.</p> <p>② Defective outdoor controller circuit board.</p> <p>③ Power supply of 220~240V is not supplied to indoor unit.</p> <p>④ Defective indoor power board.</p> <p>⑤ Defective indoor controller board.</p> <p>(For the separate indoor/outdoor unit power supply system)</p> <p>① Power supply of 220~240V AC is not supplied to indoor unit.</p> <p>② The connectors of the optional replacement kit are not used.</p> <p>③ Defective indoor controller board.</p> <p>④ Defective indoor power board.</p>	<p>① Check the voltage of outdoor power supply terminal block (L, N) or (L₃, N).</p> <ul style="list-style-type: none"> • When AC 220~240V is not detected. Check the power wiring to outdoor unit and the breaker. • When AC 220~240V is detected. —Check ② (below). <p>② Check the voltage between outdoor terminal block S1 and S2.</p> <ul style="list-style-type: none"> • When AC 220~240V is not detected. Check the fuse on outdoor controller circuit board. Check the wiring connection. • When AC 220~240V is detected. —Check ③ (below). <p>③ Check the voltage between indoor terminal block S1 and S2.</p> <ul style="list-style-type: none"> • When AC 220~240V is not detected. Check indoor/outdoor unit connecting wire for mis-wiring. • When AC 220~240V is detected. —Check ④ (below). <p>④ Check voltage output from CN2S on indoor power board (DC13.1V). Refer to 10-7-2.</p> <ul style="list-style-type: none"> • When no voltage is output. Check the wiring connection. • When output voltage is between DC12.5V and DC13.7V. —Check ⑤ (below). <p>⑤ Check the wiring connection between indoor controller board and indoor power board. Check the fuse on indoor controller board. If no problems are found, indoor controller board is defective.</p> <p>① Check the voltage of indoor power supply terminal block (L,N).</p> <ul style="list-style-type: none"> • When AC220~240V is not detected. Check the power supply wiring. • When AC220~240V is detected. —Check ② (below). <p>② Check that there is no problem in the method of connecting the connectors.</p> <ul style="list-style-type: none"> • When there are problems in the method of connecting the connectors. Connect the connector correctly referring to installation manual of an optional kit. • When there is no problem in the method of connecting the connectors. —Check ③ (below). <p>③ Check voltage output from CNDK on indoor controller board.</p> <ul style="list-style-type: none"> • When AC220~240V is not detected. Check the fuse on indoor controller board. Check the wiring connection between indoor power supply terminal block and CND on indoor controller board. • When AC220~240V is detected. —Check ④ (below). <p>④ Check voltage output from CN2S on indoor power board.</p> <ul style="list-style-type: none"> • When no voltage output. Check the wiring connection between CNDK on indoor controller board and CNSK on indoor power board. If no problem are found, indoor power board is defective. • When DC12.5~13.7V is detected. Check the wiring connection between CN2S on indoor power board and CN2D on indoor power board. If no problem are found, indoor controller board is defective.
	<ul style="list-style-type: none"> • When LED1 on indoor controller board is lit. <p>① Mis-setting of refrigerant address for outdoor unit (There is no unit corresponding to refrigerant address "0".)</p>	<p>① Reconfirm the setting of refrigerant address for outdoor unit</p> <p>Set the refrigerant address to "0". (For grouping control system under which 2 or more outdoor units are connected, set one of the units to "0".)</p> <p>Set refrigerant address using SW1 (3-6) on outdoor controller circuit board.</p>

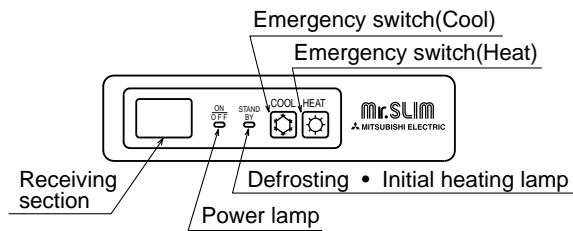
Note: Refer to the manual of outdoor unit for the detail of remote controller.

Phenomena	Cause	Countermeasure
(2) LED2 on indoor controller board is blinking.	<ul style="list-style-type: none"> • When LED1 on indoor controller board is also blinking. Connection failure of indoor/outdoor unit connecting wire • When LED1 is lit. <p>① Mis-wiring of remote controller wires Under twin triple indoor unit system, 2 or more indoor units are wired together.</p> <p>② Refrigerant address for outdoor unit is wrong or not set. Under grouping control system, there are some units whose refrigerant address is 0.</p> <p>③ Short-cut of remote controller wires</p> <p>④ Defective remote controller</p>	<p>Check indoor/outdoor unit connecting wire for connection failure.</p> <p>① Check the connection of remote controller wires in case of twin triple indoor unit system. When 2 or more indoor units are wired in one refrigerant system, connect remote controller wires to one of those units.</p> <p>② Check the setting of refrigerant address in case of grouping control system. If there are some units whose refrigerant addresses are 0 in one group, set one of the units to 0 using SW1 (3-6) on outdoor controller circuit board.</p> <p>③④ Remove remote controller wires and check LED2 on indoor controller board.</p> <ul style="list-style-type: none"> • When LED2 is blinking, check the short-cut of remote controller wires. • When LED2 is lit, connect remote controller wires again and: if LED2 is blinking, remote controller is defective; if LED2 is lit, connection failure of remote controller terminal block etc. has returned to normal.
(3) Upward/downward vane performance failure	<p>① The vane is not downward during defrosting and heat preparation and when the thermostat is OFF in HEAT mode. (Working of COOL protection function)</p> <p>② Vane motor does not rotate.</p> <ul style="list-style-type: none"> • Defective vane motor • Breaking of wire or connection failure of connector • Up/down vane setting is "No vanes". <p>③ Upward/downward vane does not work.</p> <ul style="list-style-type: none"> • The vane is set to fixed position. 	<p>① Normal operation (The vane is set to horizontal regardless of remote control.)</p> <p>② Check ② (left).</p> <ul style="list-style-type: none"> • Check the vane motor. (Refer to "How to check the parts".) • Check for breaking of wire or connection failure of connector. • Check "Up/down vane setting". (Unit function selection by remote controller). <p>③ Normal operation (Each connector on vane motor side is disconnected.)</p>
(4) Receiver for wireless remote controller	<p>① Weak batteries of wireless remote controller.</p> <p>② Contact failure of connector (CNB) on wireless remote controller board. (Insert failure)</p> <p>③ Contact failure of connector (CN90) on indoor controller board. (Insert failure)</p> <p>④ Contact failure of connector between wireless remote controller board and indoor controller board.</p>	<p>① Replace batteries of wireless remote controller.</p> <p>②~④ Check contact failure of each connector. If no problems are found of connector, replace indoor controller board. When the same trouble occurs even if indoor controller board is replaced, replace wireless remote controller board.</p>

10-5. EMERGENCY OPERATION

10-5-1. When wireless remote controller troubles or its battery is exhausted

- Emergency operation is available in such a case using emergency operation switch equipped next to the receiver of indoor unit.
 - To start operation
 - Cooling Operation.....Press  (Cooling) switch.
 - Heating Operation.....Press  (Heating) switch.
- ※When the unit starts operating, the power lamp is lit.



※Emergency operation will be performed as follows.

Mode	Cooling	Heating
Set temperature	24°C	24°C
Fan speed	High	High
Airflow direction	Horizontal (30deg)	Downward (70deg)

- To stop operation
 - Press either emergency operation switch (cooling/heating).

10-5-2. When wired remote controller or indoor unit micro computer troubles

- If there is not any other wrong when trouble occurs, emergency operation starts as the indoor controller board switch (SWE) is set to ON.

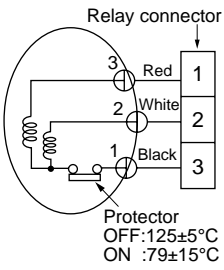
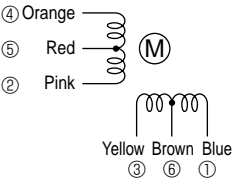
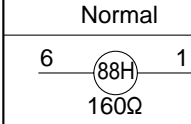
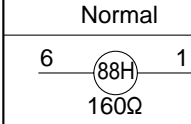
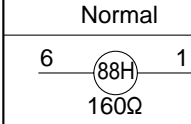
During the emergency operation the indoor unit is as follows;

 - Indoor fan high speed operation
- When emergency operating for COOL or HEAT, setting of the switch (SWE) in the indoor controller board and outdoor unit emergency operation are necessary.
- Check items and notices as the emergency operation
 - Emergency operation cannot be used as follows;
 - When the outdoor unit is something wrong.
 - When the indoor fan is something wrong.
 - When drain over flow protected operation is detected during self-diagnosis. (Error code : P5)
 - Emergency operation will be serial operation by the power supply ON/OFF.

ON/OFF or temperature, etc. adjustment is not operated by the remote controller.
 - Do not operate for a long time as cold air is blown when the outdoor unit starts defrosting operation during heat emergency operation.
 - Cool emergency operation must be within 10 hours at most. It may cause heat exchanger frosting in the indoor unit.
 - After completing the emergency operation, return the switch setting, etc. in former state.
 - Since vane does not work at emergency operation, position the vane manually and slowly.

10-6. HOW TO CHECK THE PARTS

PKH-P35GALH PKA-RP35GAL PKA-RP35GAL#1
 PKH-P50GALH PKA-RP50GAL PKA-RP50GAL#1

Parts name	Check points									
Room temperature thermistor (TH1) Pipe temperature thermistor (TH2) Condenser/evaporator temperature thermistor (TH5)	Disconnect the connector then measure the resistance with a tester. (Surrounding temperature 10°C ~30°C) <table border="1" style="margin: 10px auto;"> <tr> <th>Normal</th> <th>Abnormal</th> </tr> <tr> <td>4.3kΩ~9.6kΩ</td> <td>Open or short</td> </tr> </table> (Refer to <Thermistor Characteristic graph> for a detail.)	Normal	Abnormal	4.3kΩ~9.6kΩ	Open or short					
Normal	Abnormal									
4.3kΩ~9.6kΩ	Open or short									
Fan motor 	Measure the resistance between the terminals with a tester. (Winding temperature 20°C) <table border="1" style="margin: 10px auto;"> <tr> <th>Motor terminal or Relay connector</th> <th>Normal</th> <th>Abnormal</th> </tr> <tr> <td>Red-Black</td> <td>120.5Ω</td> <td rowspan="2">Open or short</td> </tr> <tr> <td>White-Black</td> <td>111.3Ω</td> </tr> </table>	Motor terminal or Relay connector	Normal	Abnormal	Red-Black	120.5Ω	Open or short	White-Black	111.3Ω	
Motor terminal or Relay connector	Normal	Abnormal								
Red-Black	120.5Ω	Open or short								
White-Black	111.3Ω									
Vane motor 	Measure the resistance between the terminals with a tester. (Surrounding temperature 20°C ~30°C) <table border="1" style="margin: 10px auto;"> <tr> <th>Connector</th> <th>Normal</th> <th>Abnormal</th> </tr> <tr> <td>Brown-Yellow</td> <td rowspan="4">186~214Ω</td> <td rowspan="4">Open or short</td> </tr> <tr> <td>Brown-Blue</td> </tr> <tr> <td>Red-Orange</td> </tr> <tr> <td>Red-Pink</td> </tr> </table>	Connector	Normal	Abnormal	Brown-Yellow	186~214Ω	Open or short	Brown-Blue	Red-Orange	Red-Pink
Connector	Normal	Abnormal								
Brown-Yellow	186~214Ω	Open or short								
Brown-Blue										
Red-Orange										
Red-Pink										
Heater (Only PKH)	Measure the resistance of each heater element by with a tester. <table border="1" style="margin: 10px auto;"> <tr> <th>Normal</th> <th>Abnormal</th> </tr> <tr> <td>72Ω 800W 240V</td> <td>Open or short</td> </tr> </table>	Normal	Abnormal	72Ω 800W 240V	Open or short					
Normal	Abnormal									
72Ω 800W 240V	Open or short									
Contactors (for heater) (Only PKH)	Measure the resistance between the terminals with a tester. <table border="1" style="margin: 10px auto;"> <tr> <th>Normal</th> <th>Abnormal</th> </tr> <tr> <td></td> <td>Open or short</td> </tr> </table>	Normal	Abnormal		Open or short					
Normal	Abnormal									
	Open or short									

<Thermistor Characteristic graph>

Thermistor for lower temperature

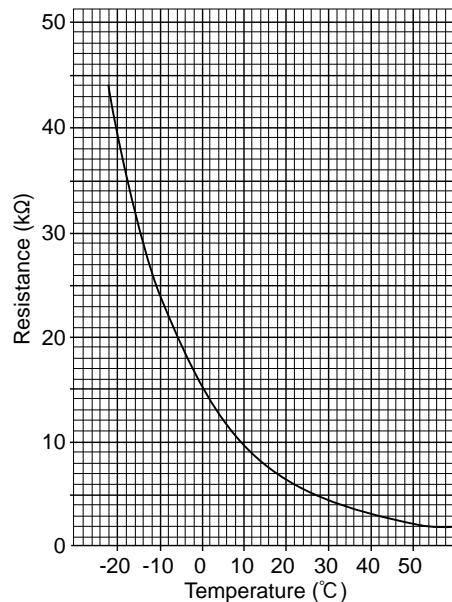
Room temperature thermistor(TH1)
Pipe temperature thermistor(TH2)
Condenser/evaporator temperature thermistor(TH5)

Thermistor R₀=15kΩ ± 3%
Fixed number of B=3480 ± 2%

$$R_t = 15 \exp \left\{ 3480 \left(\frac{1}{273+t} - \frac{1}{273} \right) \right\}$$

0°C	15kΩ
10°C	9.6kΩ
20°C	6.3kΩ
25°C	5.4kΩ
30°C	4.3kΩ
40°C	3.0kΩ

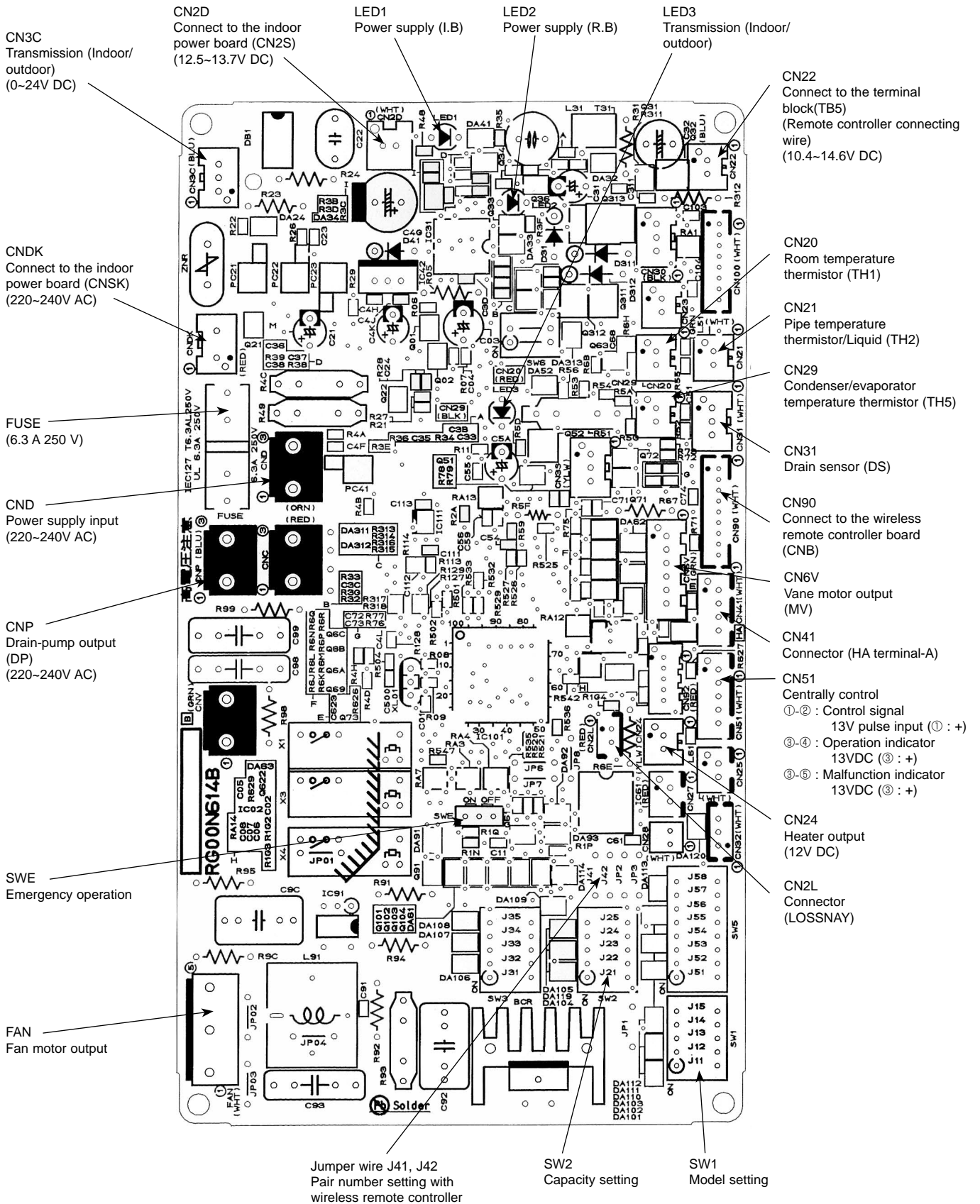
< Thermistor for lower temperature >



10-7. TEST POINT DIAGRAM

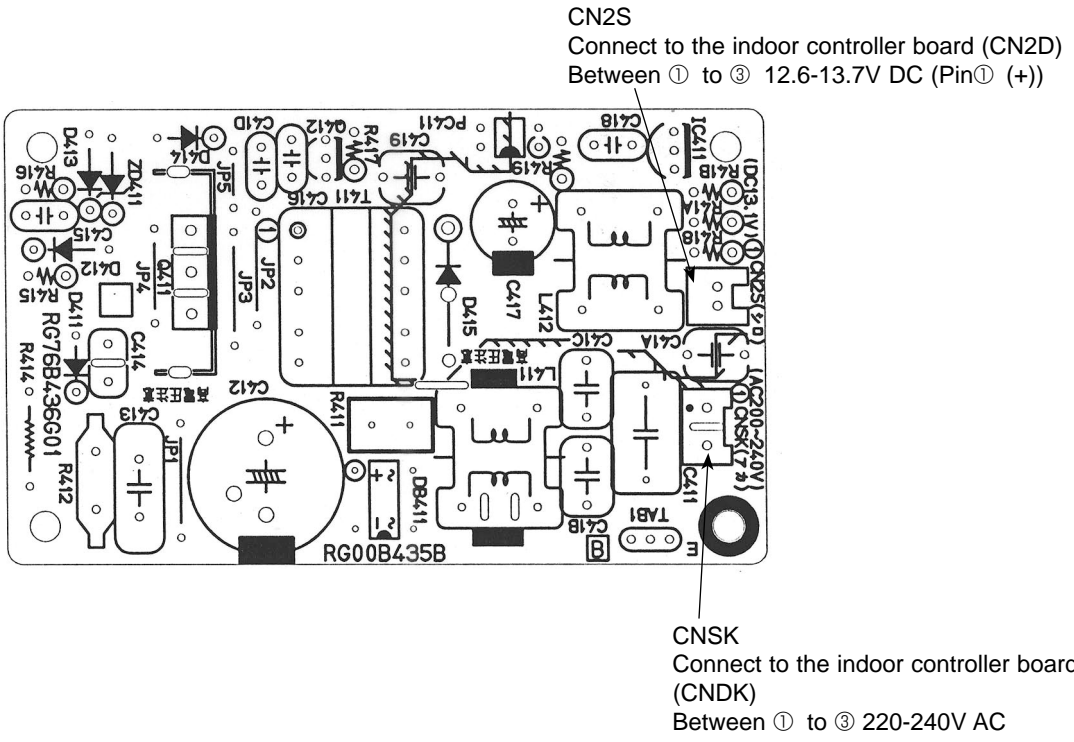
10-7-1. Indoor controller board

PKA-RP35GAL PKA-RP35GAL#1 PKH-P35GALH
 PKA-RP50GAL PKA-RP50GAL#1 PKH-P50GALH



10-7-2. Indoor power board

PKA-RP35GAL PKA-RP35GAL#1 PKH-P35GALH
 PKA-RP50GAL PKA-RP50GAL#1 PKH-P50GALH



10-8. FUNCTIONS OF DIP SWITCH AND JUMPER WIRE

Each function is controlled by the dip switch and the jumper wire on control P.C. board.

SW1 and SW2 are equipped only for service parts.

Model setting and capacity setting are memorized in the nonvolatile memory of the control P.C. board of the unit.

The black square (■) indicates a switch position.

(Marks in the table below) Jumper wire (○ : Short × : Open)

Jumper wire	Functions	Setting by the dip switch and jumper wire	Remarks																	
SW1	Model settings	For service board 																		
SW2	Capacity settings	<table border="1"> <thead> <tr> <th>Models</th> <th>Service board</th> </tr> </thead> <tbody> <tr> <td>PKA-RP35GAL PKH-P35GALH</td> <td></td> </tr> <tr> <td>PKA-RP50GAL PKH-P50GALH</td> <td></td> </tr> </tbody> </table>	Models	Service board	PKA-RP35GAL PKH-P35GALH		PKA-RP50GAL PKH-P50GALH													
Models	Service board																			
PKA-RP35GAL PKH-P35GALH																				
PKA-RP50GAL PKH-P50GALH																				
J41 J42	Pair number setting with wireless remote controller	<table border="1"> <thead> <tr> <th rowspan="2">Wireless remote controller setting</th> <th colspan="2">Control PCB setting</th> </tr> <tr> <th>J41</th> <th>J42</th> </tr> </thead> <tbody> <tr> <td>0</td> <td>○</td> <td>○</td> </tr> <tr> <td>1</td> <td>×</td> <td>○</td> </tr> <tr> <td>2</td> <td>○</td> <td>×</td> </tr> <tr> <td>3 ~ 9</td> <td>×</td> <td>×</td> </tr> </tbody> </table>	Wireless remote controller setting	Control PCB setting		J41	J42	0	○	○	1	×	○	2	○	×	3 ~ 9	×	×	<Initial setting> Wireless remote controller: 0 Control PCB: ○ (for both J41 and J42) Four pair number settings are supported. The pair number settings of the wireless remote controller and indoor control PCB (J41/J42) are given in the table on the left. ('×' in the table indicates the jumper line is disconnected.)
Wireless remote controller setting	Control PCB setting																			
	J41	J42																		
0	○	○																		
1	×	○																		
2	○	×																		
3 ~ 9	×	×																		
JP1	Unit type setting	<table border="1"> <thead> <tr> <th>Model</th> <th>JP1</th> </tr> </thead> <tbody> <tr> <td>Without TH5</td> <td>○</td> </tr> <tr> <td>With TH5</td> <td>×</td> </tr> </tbody> </table>	Model	JP1	Without TH5	○	With TH5	×	There is no jumper (JP1) because these models have the cond./eva. temperature thermistor (TH5).											
Model	JP1																			
Without TH5	○																			
With TH5	×																			
JP3	Indoor controller board type setting	<table border="1"> <thead> <tr> <th>Indoor controller board type</th> <th>JP3</th> </tr> </thead> <tbody> <tr> <td>For product</td> <td>×</td> </tr> <tr> <td>Service parts</td> <td>○</td> </tr> </tbody> </table>	Indoor controller board type	JP3	For product	×	Service parts	○												
Indoor controller board type	JP3																			
For product	×																			
Service parts	○																			

11-1. ROTATION FUNCTION (AND BACK-UP FUNCTION, 2ND STAGE CUT-IN FUNCTION)

For PKA-RP35GAL#1, PKA-RP50GAL#1

11-1-1. Operation

(1) Rotation function (and Back-up function)

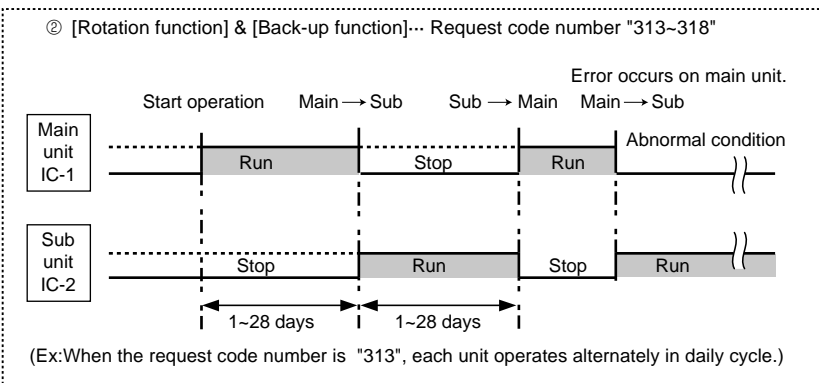
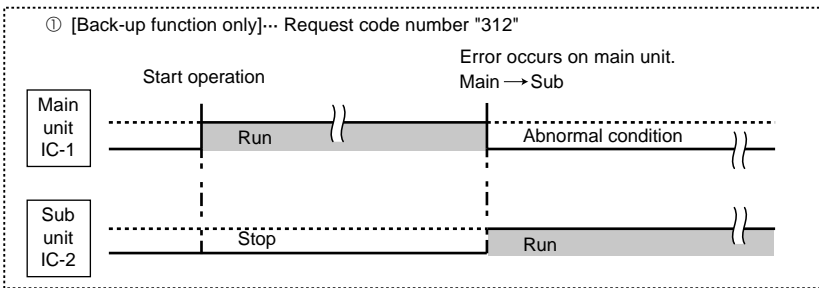
• Outline of functions

- Main and sub unit operate alternately according to the interval of rotation setting.
- ※ Main and sub unit should be set by refrigerant address. (Outdoor Dip switch setting)
 Refrigerant address "00" → Main unit
 Refrigerant address "01" → Sub unit
- When error occurs to one unit, another unit will start operation. (Back-up function)

• System constraint

- This function is available only by the grouping control system (INDOOR UNIT : OUTDOOR UNIT=1:1) of 2 refrigerant groups. (Refer to Fig. 1)
- Main indoor unit should be connected for wired remote controller and the transmission line (TB5) for main and sub unit should also be connected. (Refer to Fig. 1)
 (This function cannot be set by wireless remote controller.)
- Set refrigerant address of each unit. (Dip switch on the outdoor unit → Refrigerant address 00/01)

Operation pattern



Note:

- When the unit is restarted to operate after turning off the power or OFF operation, the unit which was operating will start operation.
- To operate the main unit, refer to the 11-1-2. and set the request code No. which is not the same as the current one, and set again the former request code No.

(2) 2nd stage cut-in function

Outline of functions

- Number of operating units is determined according to the room temperature and set point.
- When room temperature becomes higher than set point, standby unit starts. (2 units operation)
- When room temperature falls below set point -4°C, standby unit stops. (1 unit operation)

System constraint

- This function is available only in rotation operation and back-up function in cooling mode.

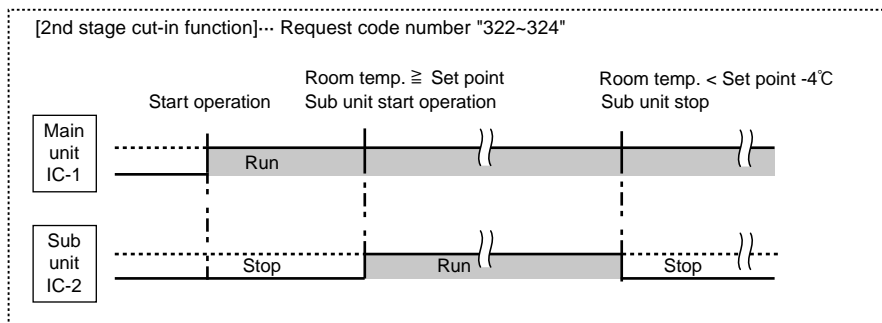
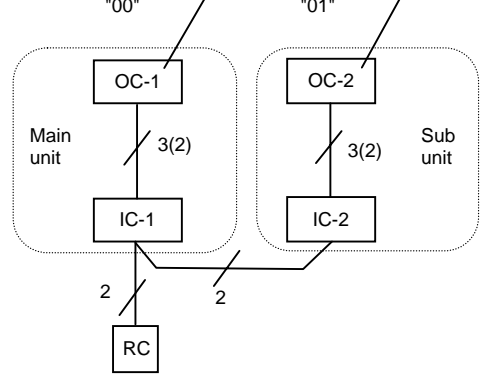


Fig. 1 Refrigerant address "00" Refrigerant address "01"



OC : Outdoor unit
 IC : Indoor unit
 RC : Wired remote controller

11-1-2. How to set rotation function (Back-up function, 2nd stage cut-in function)

You can set these functions by wired remote controller.(Maintenance monitor)

NOTICE

Both main and sub unit should be set in same setting.

Every time replacing indoor controller board for servicing, the function should be set again.

(1) Request Code List

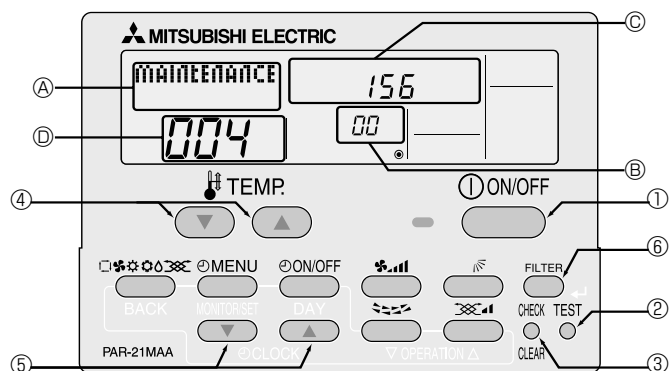
Rotation setting

Setting No. (Request code)	Setting contents	Initial setting
No.1 (310)	Monitoring the request code of current setting.	
No.2 (311)	Rotation and Back-up OFF (Normal group control operation)	☉
No.3 (312)	Back-up function only	
No.4 (313)	Rotation ON (Alternating interval = 1day) and back up function	
No.5 (314)	Rotation ON (Alternating interval = 3day) and back up function	
No.6 (315)	Rotation ON (Alternating interval = 5day) and back up function	
No.7 (316)	Rotation ON (Alternating interval = 7day) and back up function	
No.8 (317)	Rotation ON (Alternating interval = 14day) and back up function	
No.9 (318)	Rotation ON (Alternating interval = 28day) and back up function	

2nd stage cut-in setting

Setting No. (Request code)	Setting contents	Initial setting
No.1 (320)	Monitoring the request code of current setting.	
No.2 (321)	Cut-in function OFF	☉
No.3 (322)	Cut-in Function ON(Set point = Set temp.+ 4°C(7.2°F))	
No.4 (323)	Cut-in Function ON(Set point = Set temp.+ 6°C(10.8°F))	
No.5 (324)	Cut-in Function ON(Set point = Set temp.+ 8°C(14.4°F))	

(2) Setting method of each function by wired remote controller



B: Refrigerant address
 C: Data display area
 D: Request code display area

1. Stop operation(①).
2. Press the **TEST** button (②) for 3 seconds so that [Maintenance mode] appears on the screen (A).
 After a while, [00] appears in the refrigerant address number display area.(at B)
3. Press the **CHECK** button (③) for 3 seconds to switch to [Maintenance monitor].
 Note) It is not possible to switch to [Maintenance monitor] during data request in maintenance mode (i.e., while "----" is blinking) since no buttons are operative.

[----] appears on the screen (C) when [Maintenance monitor] is activated.
 (The display (D) now allows you to set a request code No.)

4. Press the [TEMP (▽ and △)] buttons (④) to select the desired refrigerant address.



5. Press the [CLOCK (▽ and △)] buttons (⑤) to set the desired request code No. ("311~318", "321~324")
6. Press the **FILTER** button (⑥) to perform function setting.
 If above setting operations are done correctly, "Request code number" will appear in data display area.(C)
 [Example: When the "311" of "Request code number" is set, [311] appears on the screen.(C)]

[Reference]

You can check current "request code number" setting by setting the "request code number" ("310" or "320") and pressing the **FILTER** button.(⑥)

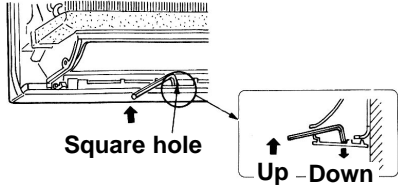
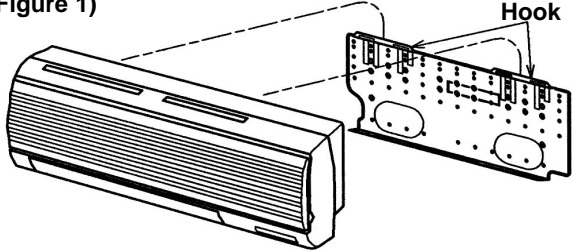
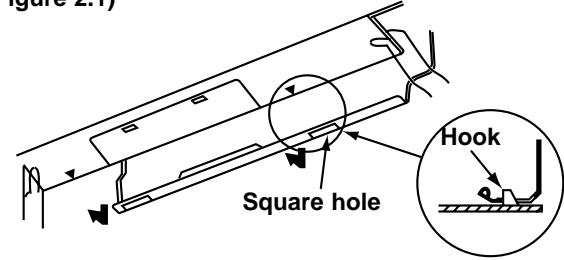
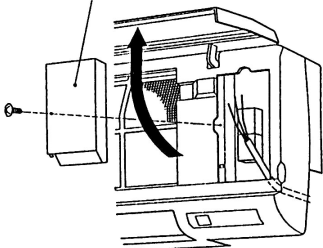
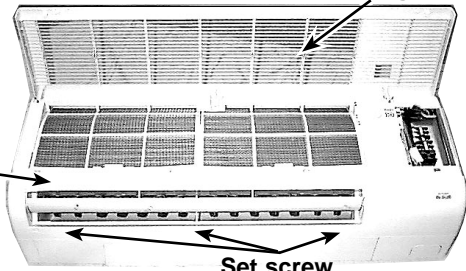
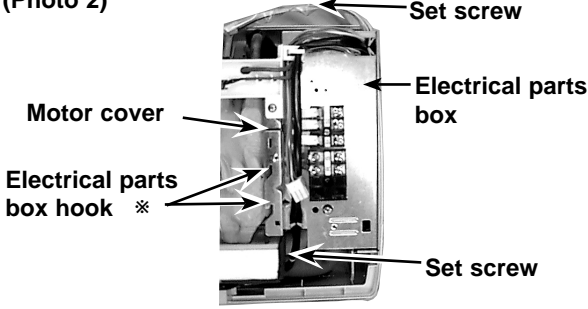
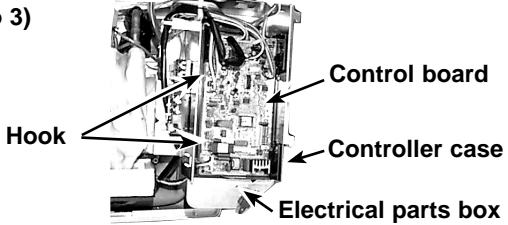
[Example: When the current setting is "Setting No.2(Request code 311)", [311] appears on the screen.(C)]

7. To return to normal mode, press the **ON/OFF** button (①).

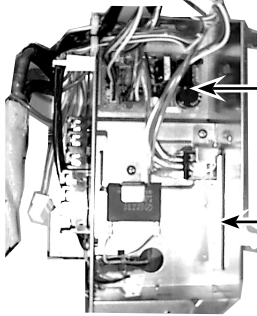
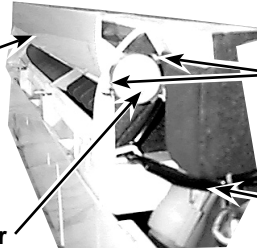
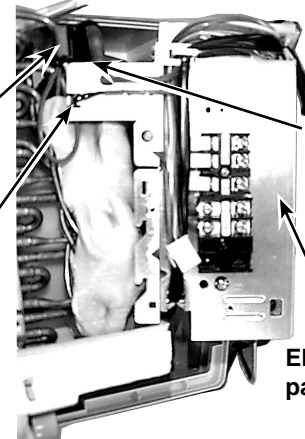
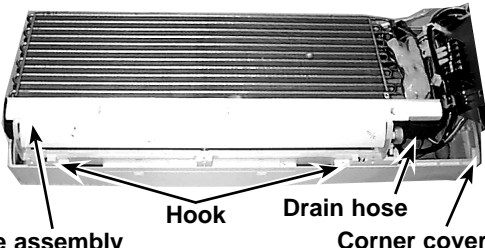
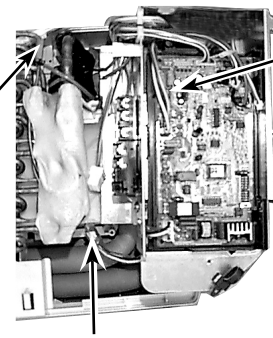
PKA-RP35GAL
PKA-RP50GAL

PKA-RP35GAL#1
PKA-RP50GAL#1

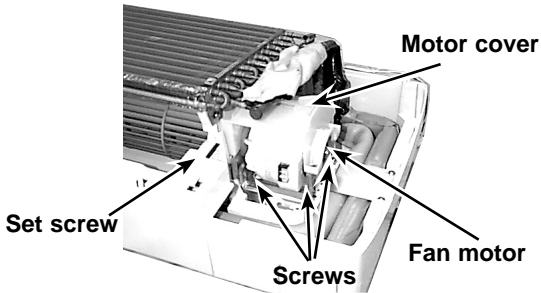
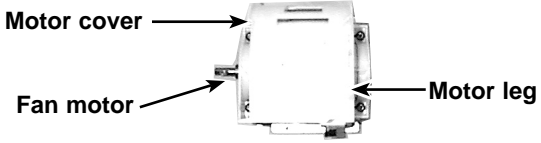
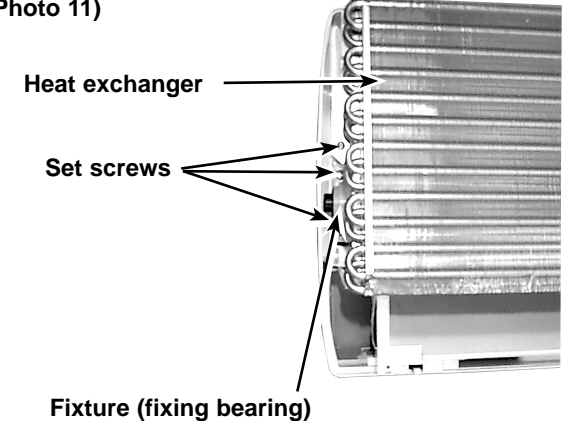
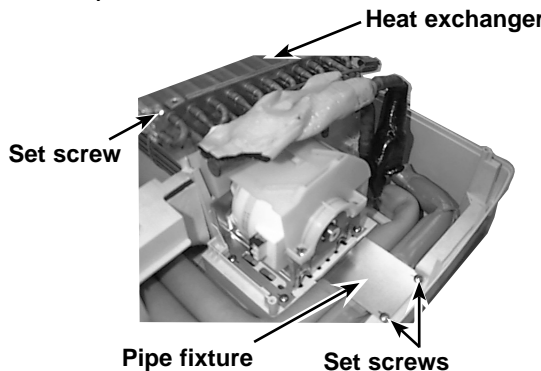
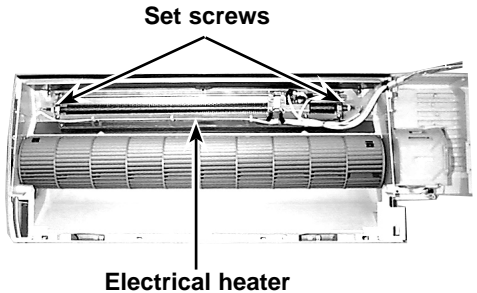
PKH-P35GALH
PKH-P50GALH

OPERATION PROCEDURE	PHOTOS & ILLUSTRATION
<p>1. REMOVING THE LOWER SIDE OF THE INDOOR UNIT FROM THE INSTALLATION PLATE</p> <p>(1) Remove the left / right corner box of the indoor unit.</p> <p>(2) Hold and pull down the lower and both ends of the indoor unit, and remove the ▼ section from the square hole. (Refer to Figure 2.1) Or remove the front panel and push the ▼ section down by using hexagonal wrench ,etc. from the front side. (Refer to Figure 2.2).</p> <p>(3) Unhook the top of the indoor unit from the back plate catch.</p> <p>(Figure 2.2)</p> 	<p>(Figure 1)</p>  <p>(Figure 2.1)</p> 
<p>2. REMOVING THE FRONT PANEL</p> <p>(1) Open the front grille.</p> <p>(2) Remove the terminal block cover with a screw.</p> <p>(3) Remove the screw 3 caps then remove the set 3 screws.</p> <p>(4) After removing the lower side of the front panel a little, remove it as pulling toward upper.</p>	<p>(Figure 3)</p>  <p>(Photo 1)</p> 
<p>3. REMOVING THE INDOOR CONTROLLER BOARD</p> <p>(1) Remove the terminal block cover.</p> <p>(2) Remove the front panel. (See Photo 1)</p> <p>(3) Remove the electrical parts box (2 screws).</p> <p>(4) Remove the electrical parts box cover (1 screw).</p> <p>(5) Disconnect the connector on the controller board and remove the controller board by pulling up the hook of the controller case.</p> <p>※ For a smooth work, hang the side hooks of the electrical parts box on the hook of the motor cover. (See Photo 3)</p>	<p>(Photo 2)</p>  <p>(Photo 3)</p> 

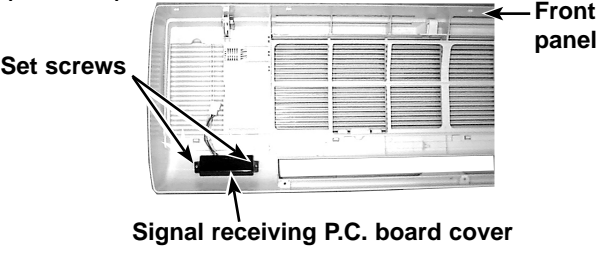
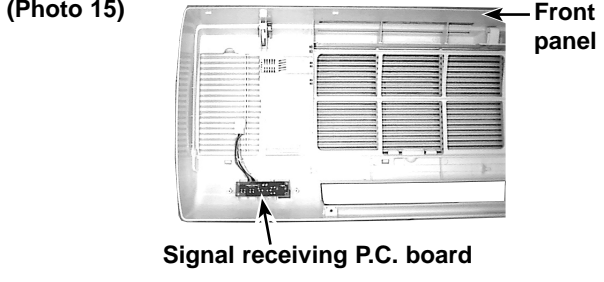


OPERATION PROCEDURE	PHOTOS & ILLUSTRATION
<p>4. REMOVING THE POWER BOARD</p> <p>(1) Remove the front panel. (See Photo 1)</p> <p>(2) Remove the electrical parts box (2 screws). (See Photo 2)</p> <p>(3) Disconnect the whole connector in the control board.</p> <p>(4) After lifting the controller case with pressing it's convex section, remove the controller case and the control board simultaneously. (See Photo 3)</p> <p>(5) Disconnect the connector in the power board.</p> <p>(6) Remove the power board.</p>	<p>(Photo 4)</p>  <p>Power board</p> <p>Electrical parts box</p>
<p>5. REMOVING THE VANE MOTOR</p> <p>(1) Disconnect the connector CN6V on the indoor controller board.</p> <p>(2) Remove the 2 screws of the vane motor, disconnect the lead wire and remove the vane motor from the shaft.</p>	<p>(Photo 5)</p>  <p>Nozzle assembly</p> <p>Set screws</p> <p>Van motor</p> <p>Lead wire</p>
<p>6. REMOVING THE THERMISTOR</p> <p>(1) Removing the room temperature thermistor TH1</p> <p>① Disconnect the connector CN20<red> on the indoor controller board.</p> <p>② Remove the room temperature thermistor from the holder.</p> <p>(2) Removing the pipe temperature thermistor TH2</p> <p>① Disconnect the connector CN21<white> on the controller board.</p> <p>② Remove the pipe temperature thermistor with set to the pipe.</p> <p>(3) Removing the indoor coil temperature thermistor TH5</p> <p>① Disconnect the connector CN29<black> on the indoor controller board.</p> <p>② Remove the gas pipe thermistor with set to the pipe.</p>	<p>(Photo 6)</p>  <p>Pipe temperature thermistor (TH2)</p> <p>Room temperature thermistor (TH1)</p> <p>Condenser /evaporator temperature thermistor (TH5)</p> <p>Electrical parts box</p>
<p>7. REMOVING THE NOZZLE ASSEMBLY</p> <p>(1) Disconnect the connector CN6V on the controller board.</p> <p>(2) Disconnect the lead wire of the vane motor.</p> <p>(3) Remove the corner cover.</p> <p>(4) Pull the drain hose out from the nozzle assembly.</p> <p>(5) Unhook the hook of the lower nozzle assembly and pull the nozzle assembly toward you, then remove the nozzle assembly by sliding it down.</p>	<p>(Photo 7)</p>  <p>Hook</p> <p>Drain hose</p> <p>Nozzle assembly</p> <p>Corner cover</p>
<p>8. REMOVING THE ELECTRICAL PARTS BOX</p> <p>(1) Remove the terminal block cover.</p> <p>(2) Disconnect the connector <yellow> of the wireless remote controller board.</p> <p>(3) Remove the front panel. (See Photo 1)</p> <p>(4) Disconnect the vane motor connector.</p> <p>(5) Disconnect the fan motor connector from the fan motor.</p> <p>(6) Disconnect the connector <yellow> of the heater. (only PKH).</p> <p>(7) Remove the liquid(TH2) / gas(TH5) pipe thermistors. (See Photo 6)</p> <p>(8) Remove the electrical parts box (2 screws).</p>	<p>(Photo 8)</p>  <p>Vane motor connector</p> <p>Pipe temperature thermistor</p> <p>Fan motor connector</p> <p>Electrical parts box</p>



OPERATION PROCEDURE	PHOTOS & ILLUSTRATION
<p>9. REMOVING THE FAN MOTOR</p> <ol style="list-style-type: none"> (1) Remove the terminal block cover. (2) Disconnect the connector <yellow> of the wireless remote controller board. (3) Remove the front panel. (See Photo 1) (4) Remove the electrical parts box. (See Photo 8) (5) Remove the nozzle assembly. (See Photo 7) (6) Remove the fan motor leg fixing 3 screws. (7) Unscrew the set screws using by alankey and remove it by sliding the fan motor to right. (8) Remove the 4 screws and remove the motor cover from the fan motor leg. 	<p>(Photo 9)</p>  <p>(Photo 10)</p> 
<p>10. REMOVING THE LINE FLOW FAN</p> <ol style="list-style-type: none"> (1) Remove the terminal block cover. (2) Remove the front panel. (See Photo 1) (3) Remove the electrical parts box. (See Photo 8) (4) Remove the nozzle assembly. (See Photo 7) (5) Remove the fan motor. (See Photo 9) (6) Remove the pipe fixture with 2 screws. (See Photo 12) (7) Remove the left / right screws of the heat exchanger and pull the left-hand side up. (8) Remove the 2 screws by sliding it toward you remove the fixture (fixing bearing). <ul style="list-style-type: none"> * When the fan is hard to remove, remove the fan motor first. * When resetting the fan to the fan motor, locate and fix the shaft after installing the fan. 	<p>(Photo 11)</p> 
<p>11. REMOVING THE HEAT EXCHANGER</p> <ol style="list-style-type: none"> (1) Remove the terminal block cover. (2) Disconnect the connector <yellow> of the wireless remote controller board. (3) Remove the front panel. (See Photo 1) (4) Remove the electrical parts box. (See Photo 8) (5) Remove the corner box. (6) Remove the nozzle assembly. (See Photo 7) (7) Remove the 2 screws and the pipe fixture. (8) Remove the 2 screws and heat exchanger. 	<p>(Photo 12)</p> 
<p>12. REMOVING ELECTRICAL HEATER (PKH-P35/50GALH only)</p> <ol style="list-style-type: none"> (1) Remove the terminal block cover. (2) Disconnect the connector <yellow> for the wireless remote controller. (3) Remove the front panel. (See Photo 1) (4) Remove the electrical parts box. (See Photo 8) (5) Remove the nozzle assembly. (See Photo 7) (6) Remove the heat exchanger. (See Photo 12) (7) Remove the 2 screws and electrical heater. 	<p>(Photo 13)</p> 

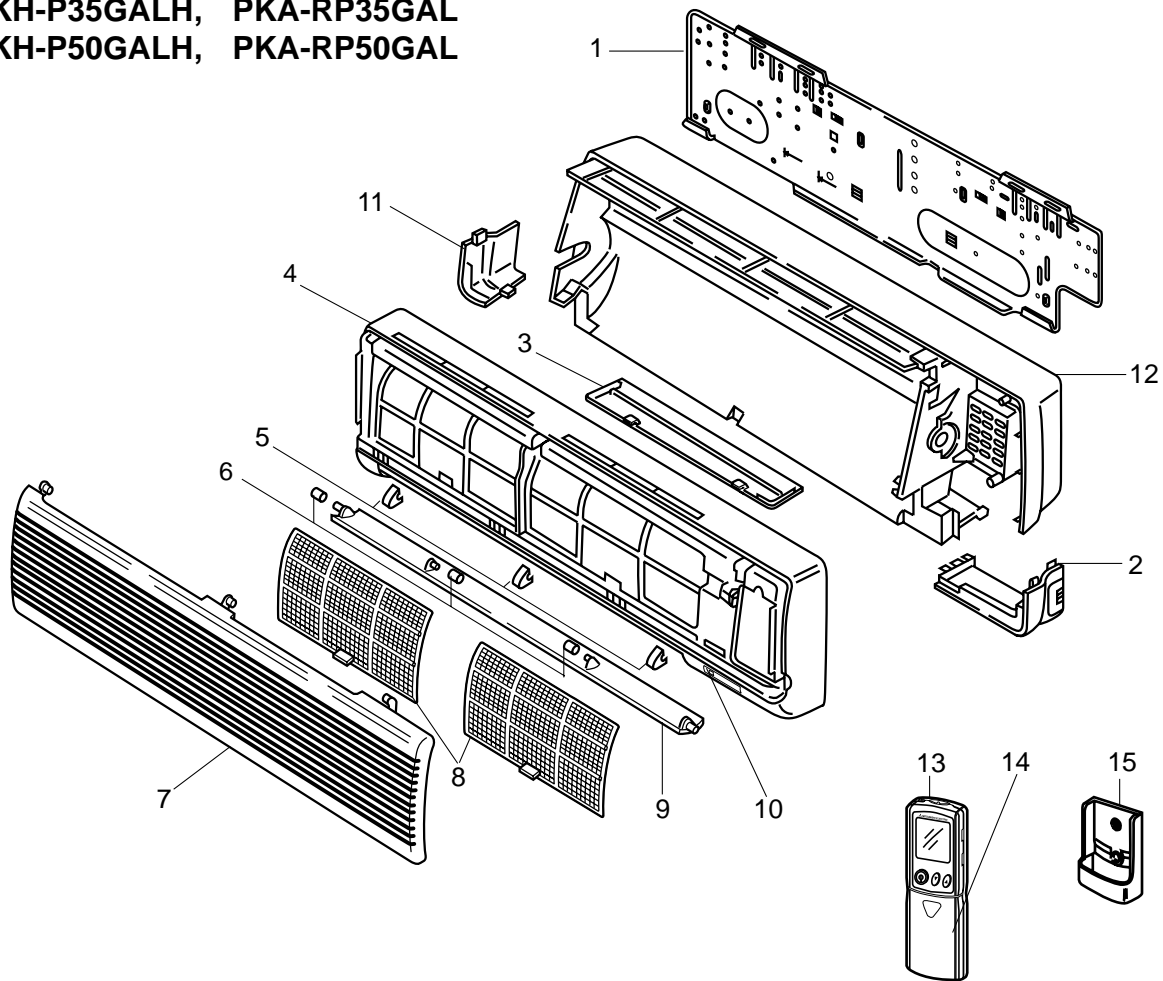


OPERATION PROCEDURE	PHOTOS & ILLUSTRATION
<p>13. REMOVING the SIGNAL RECEIVING P.C. BOARD</p> <ul style="list-style-type: none">(1) Remove the terminal block cover.(2) Disconnect the connector <yellow> for the wireless remote controller.(3) Remove the front panel. (See Photo 1)(4) Remove the 2 screws and signal receiving P.C. board cover.(5) Remove the signal receiving P.C. board.	<p>(Photo 14)</p>  <p>(Photo 15)</p> 

STRUCTURAL PARTS

PKH-P35GALH, PKA-RP35GAL

PKH-P50GALH, PKA-RP50GAL



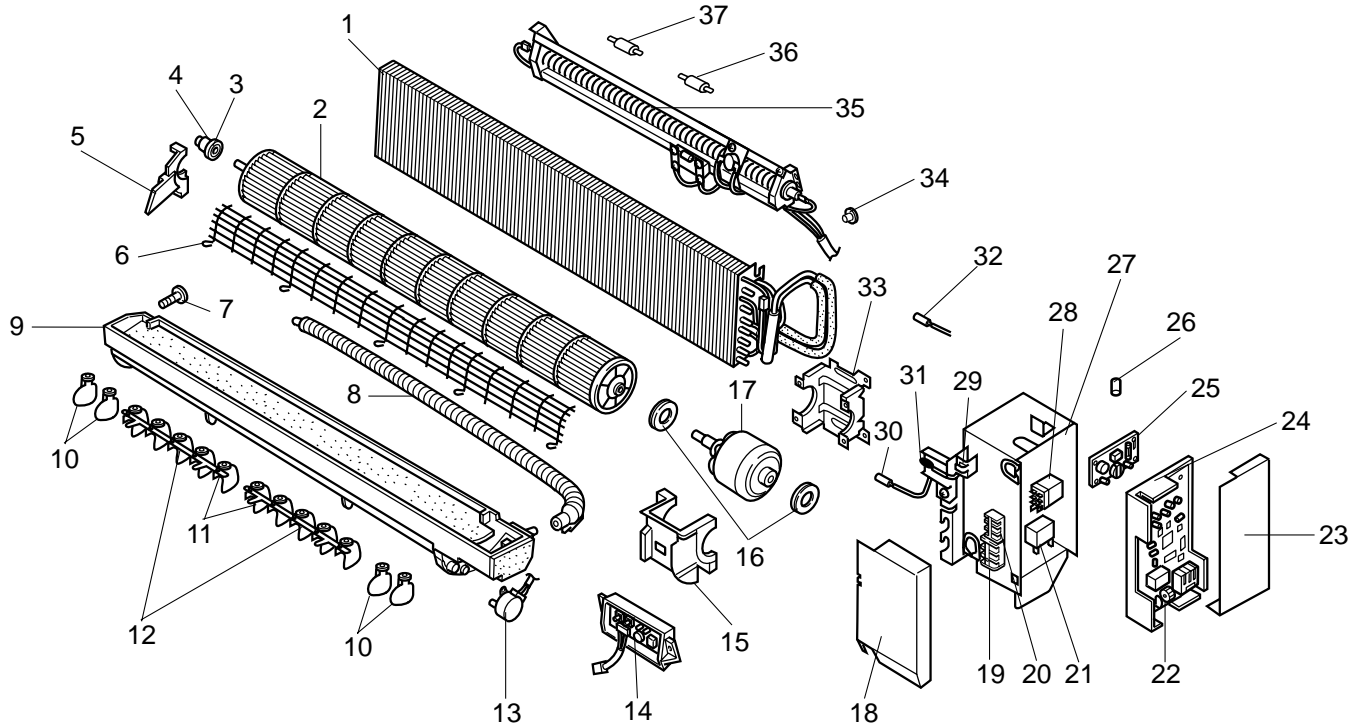
No.	Parts No.	Parts Name	Specifications	PKH-	PKA-	Remarks (Drawing No.)	Wiring Diagram Symbol	Recom- mended Q'ty
				P35 / P50 GALH	RP35 / RP50 GAL			
1	R01 07Y 808	BACK PLATE		1	1			
2	R01 10Y 658	CORNER COVER		1	1			
3	R01 07Y 623	UNDER COVER		1	1			
4	R01 89Y 651	FRONT PANEL		1	1			
5	R01 07Y 096	SCREW CAP		3	3			
6	R01 07Y 092	VANE SLEEVE		1	1			
7	R01 07Y 691	FRONT GRILLE		1	1			
8	R01 A16 500	AIR FILTER		2	2			
9	R01 07Y 002	AUTO VANE		1	1			
10	R01 24K 658	RECEIVING UNIT		1	1		RU	
11	R01 08Y 658	CORNER COVER		1	1			
12	R01 09Y 635	BOX ASSEMBLY						
	R01 07Y 635	BOX ASSEMBLY			1			
13	T7W E06 714	WIRELESS REMOTE CONTROLLER		1	1			
14	R01 E01 049	WIRELESS REMOTE CONTROLLER DOOR		1	1			
15	R01 E00 075	WIRELESS REMOTE CONTROLLER HOLDER		1	1			

(non-RoHS compliant)

ELECTRICAL PARTS

PKH-P35GALH, PKA-RP35GAL

PKH-P50GALH, PKA-RP50GAL



No.	Parts No.	Parts Name	Specifications	PKH-	PKA-	Remarks (Drawing No.)	Wiring Diagram Symbol	Recom- mended Q'ty
				P35 / P50 GALH	RP35 / RP50 GAL			
1	R01 E48 480	HEAT EXCHANGER		1				
	T7W E56 480	HEAT EXCHANGER			1			
2	R01 09Y 114	LINE FLOW FAN		1				
	R01 07Y 114	LINE FLOW FAN			1			
3	R01 07Y 102	BEARING MOUNT		1	1			
4	R01 005 103	SLEEVE BEARING		1	1			
5	R01 07Y 106	BEARING SUPPORT		1	1			
6	T7W A00 675	FAN GUARD		1	1			
7	R01 07Y 524	DRAIN PLUG		1	1			
8	R01 07Y 527	DRAIN HOSE		1	1			
9	R01 07Y 530	NOZZLE		1	1			
10	R01 09Y 038	GUIDE VANE		4	4			
11	R01 07Y 038	GUIDE VANE		10	10			
12	R01 07Y 059	ARM		2	2			
13	R01 E04 223	VANE MOTOR		1	1		MV	
14	R01 E03 317	WIRELESS ADAPTER CONTROLLER BOARD		1	1		W.B	
15	R01 07Y 135	MOTOR COVER		1	1			
16	R01 07Y 105	RUBBER MOUNT		2	2			
17	T7W A01 762	FAN MOTOR	PM4V30-K	1	1		MF	

To be continued on the next page.

(non-RoHS compliant)

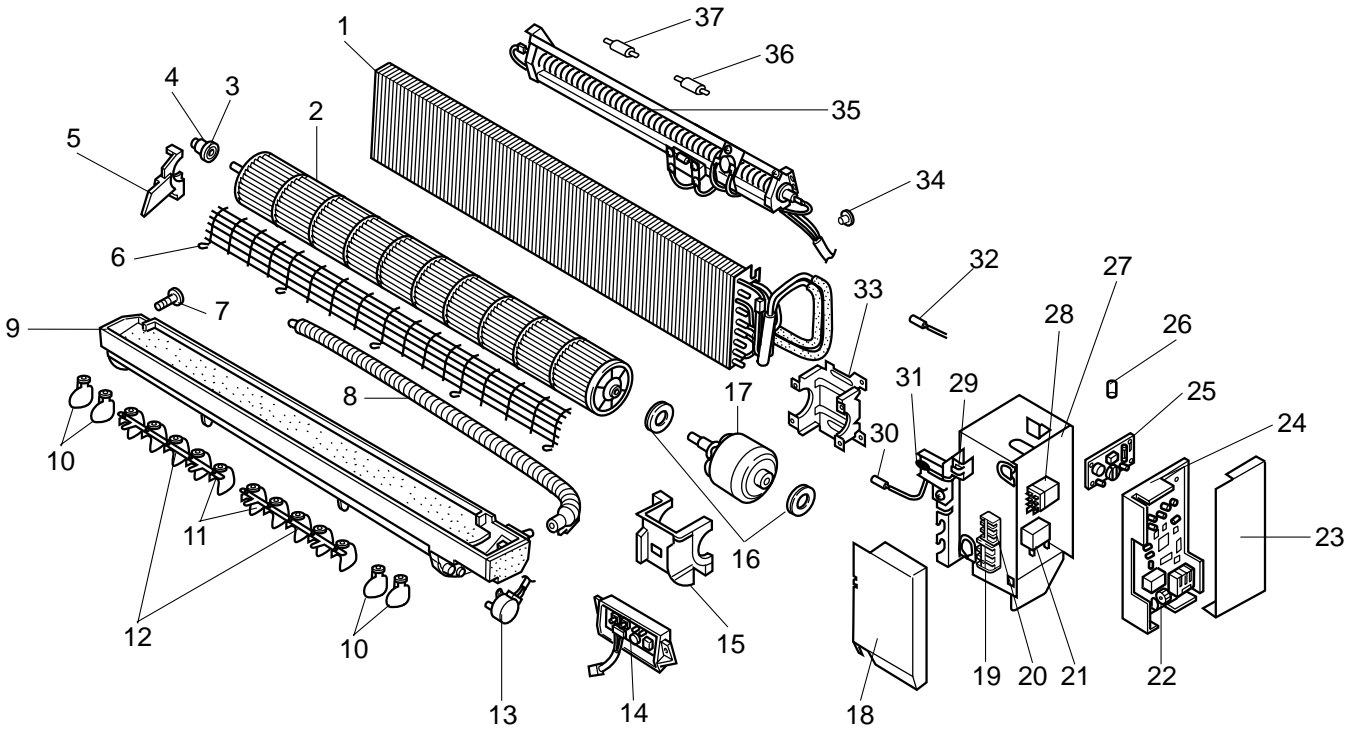
From the preceding page.

Part number that is circled is not shown in the figure.

No.	Parts No.	Parts Name	Specifications	PKH-	PKA-	Remarks (Drawing No.)	Wiring Diagram Symbol	Recom- mended Q'ty
				P35 / P50 GALH	RP35 / RP50 GAL			
18	—	TERMINAL COVER		1	1	(BG02V195H10)		
19	T7W A14 716	TERMINAL BLOCK	3P(L, N, ⊕)	1			TB2	
20	T7W E23 716	TERMINAL BLOCK	3P(S1, S2, S3)	1	1		TB4	
21	R01 588 255	CAPACITOR	2.0 μ F x440V	1	1		C	
22	T7W E40 310	INDOOR CONTROLLER BOARD		1	1		I.B	
23	—	CONTROLLER COVER		1	1	(BG02V194G03)		
24	—	CONTROLLER CASE		1	1	(BG25B573H06)		
25	R01 E02 313	POWER BOARD		1	1		P.B	
26	R01 E02 239	FUSE	250V 6.3A	1	1		FUSE	
27	—	ELECTRICAL PARTS COVER		1	1	(BG00V196G41)		
28	R01 71G 215	HEATER CONTACTOR		1			88H	
29	—	SENSOR HOLDER		1	1	(RG25C546G01)		
30	R01 E58 202	CONDENSER / EVAPORATOR TEMPERATURE THERMISTOR		1	1		TH5	
31	T7W E05 202	ROOM TEMPERATURE THERMISTOR		1	1		TH1	
32	R01 E02 202	PIPE TEMPERATUER THERMISTOR		1	1		TH2	
33	R01 07Y 130	MOTOR SUPPORT		1	1			
34	R01 64K 700	HEATER THERMAL SWITCH	60°C OFF 40°C ON	1			26H	
35	T7W E13 300	HEATER ELEMENT	800W	1			H1	
36	R01 986 706	THERMAL FUSE	104°C 10A	1			FS1	
37	R01 208 706	THERMAL FUSE	84°C 10A	1			FS2	
③⑧	R01 20J 303	INSULATOR		1				

ELECTRICAL PARTS

PKH-P35GALH, PKA-RP35GAL, PKA-RP35GAL#1
 PKH-P50GALH, PKA-RP50GAL, PKA-RP50GAL#1



No.	RoHS	Parts No.	Parts Name	Specifications	PKH-	PKA-	Remarks (Drawing No.)	Wiring Diagram Symbol	Recom- mended Q'ty
					P35 / P50 GALH	RP35 / RP50 GAL(#1)			
1	G	R01 E70 480	HEAT EXCHANGER		1				
	G	T7W H36 480	HEAT EXCHANGER			1			
2	G	R01 E21 114	LINE FLOW FAN		1				
	G	R01 E22 114	LINE FLOW FAN			1			
3	G	R01 08Y 102	BEARING MOUNT		1	1			
4	G	R01 E04 103	SLEEVE BEARING		1	1			
5	G	R01 08Y 106	BEARING SUPPORT		1	1			
6	G	T7W A01 675	FAN GUARD		1	1			
7	G	R01 08Y 524	DRAIN PLUG		1	1			
8	G	R01 08Y 527	DRAIN HOSE		1	1			
9	G	R01 08Y 530	NOZZLE		1	1			
10	G	R01 10Y 038	GUIDE VANE		4	4			
11	G	R01 08Y 038	GUIDE VANE		10	10			
12	G	R01 08Y 059	ARM		2	2			
13	G	R01 E14 223	VANE MOTOR		1	1		MV	
14	G	R01 E06 317	WIRELESS ADAPTER CONTROLLER BOARD		1	1		W.B	
15	G	R01 08Y 135	MOTOR COVER		1	1			
16	G	R01 08Y 105	RUBBER MOUNT		2	2			
17	G	T7W A02 762	FAN MOTOR	PM4V30-K	1	1		MF	

To be continued on the next page.

(RoHS PARTS LIST)

From the preceding page.

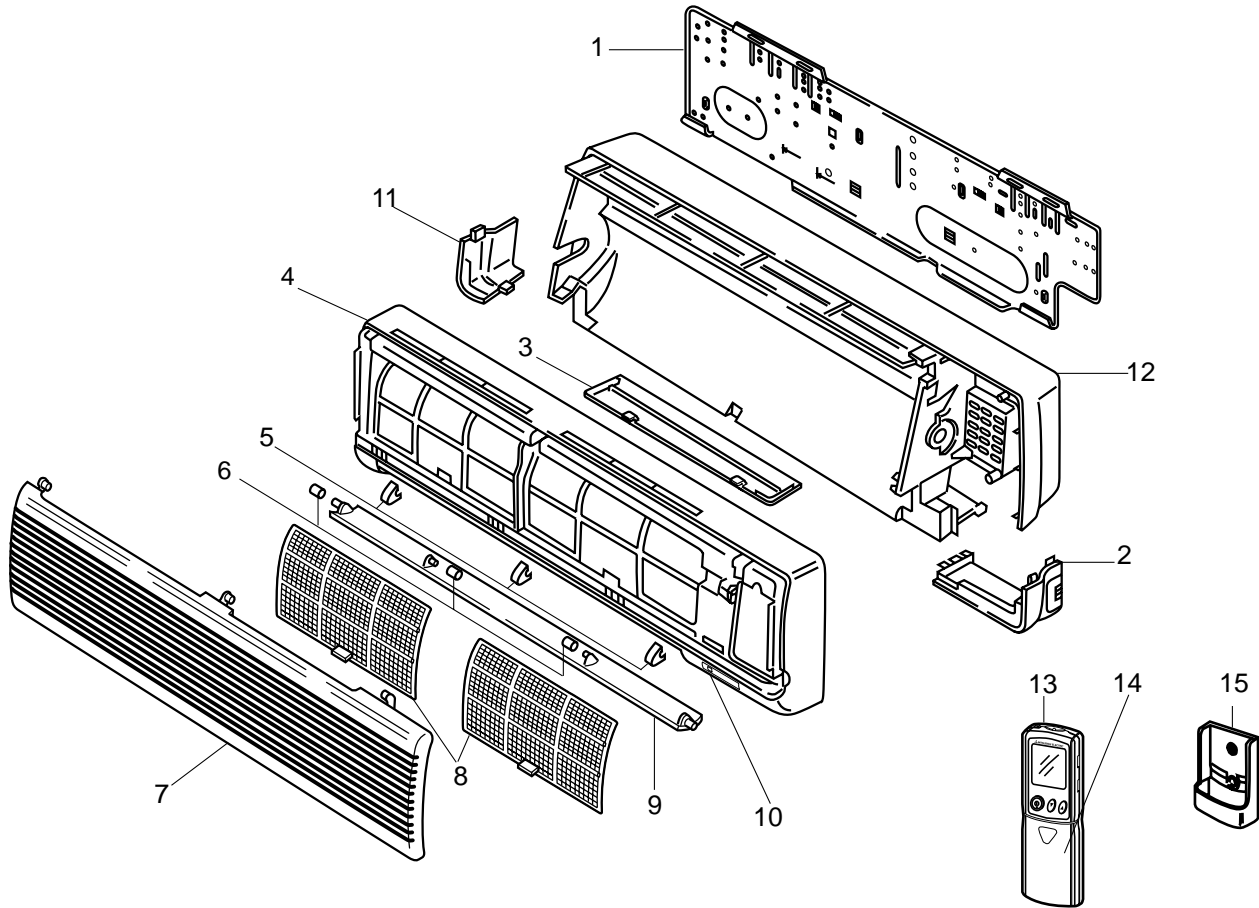
Part number that is circled is not shown in the figure.

No.	RoHS	Parts No.	Parts Name	Specifications	PKH-	PKA-		Remarks (Drawing No.)	Wiring Diagram Symbol	Recom- mended Q'ty
					P35/P50 GALH	RP35/RP50 GAL	RP35/RP50 GAL#1			
18	G	—	TERMINAL COVER		1	1	1	(BG02V195H10)		
19	G	T7W E23 716	TERMINAL BLOCK	3P(L, N, ⊕)	1				TB2	
20	G	R01 E20 246	TERMINAL BLOCK	3P(S1, S2,S3)	1	1	1		TB4	
21	G	R01 E13 255	CAPACITOR	2.0 μ F \times 440V	1	1	1		C	
22	G	T7W E50 310	INDOOR CONTROLLER BOARD		1	1			I.B	
	G	T7W E73 310	INDOOR CONTROLLER BOARD				1		I.B	
23	G	—	CONTROLLER COVER		1	1	1	(BG02V194G03)		
24	G	—	CONTROLLER CASE		1	1	1	(BG25B573H06)		
25	G	R01 E38 313	POWER BOARD		1	1	1		P.B	
26	G	R01 E06 239	FUSE	250V 6.3A	1	1	1		FUSE	
27	G	—	ELECTRICAL PARTS COVER		1	1	1	(BG00V196G53)		
28	G	R01 E03 215	HEATER CONTACTOR		1				88H	
29	G	—	SENSOR HOLDER		1	1	1	(RG25C546G01)		
30	G	R01 H05 202	CONDENSER/EVAPORATOR TEMPERATURE THERMISTOR		1	1	1		TH5	
31	G	R01 H08 202	ROOM TEMPERATURE THERMISTOR		1	1	1		TH1	
32	G	R01 H11 202	PIPE TEMPERATURE THERMISTOR		1	1	1		TH2	
33	G	R01 08Y 130	MOTOR SUPPORT		1	1	1			
34	G	R01 E11 700	HEATER THERMAL SWITCH	60°C OFF 40°C ON	1				26H	
35	G	T7W E18 300	HEATER ELEMENT	800W	1				H1	
36	G	R01 E00 706	THERMAL FUSE	104°C 10A	1				FS1	
37	G	R01 E01 706	THERMAL FUSE	84°C 10A	1				FS2	
38	G	R01 31J 303	INSULATOR		1					

(RoHS PARTS LIST)

STRUCTURAL PARTS

PKH-P35GALH, PKA-RP35GAL, PKA-RP35GAL#1
 PKH-P50GALH, PKA-RP50GAL, PKA-RP50GAL#1



No.	RoHS	Parts No.	Parts Name	Specifications	PKH-	PKA-		Remarks (Drawing No.)	Wiring Diagram Symbol	Recom- mended Q'ty
					P35/P50 GALH	RP35/RP50 GAL	RP35/RP50 GAL#1			
1	G	R01 08Y 808	BACK PLATE		1	1	1			
2	G	R01 10Y 658	CORNER COVER(R)		1	1	1			
3	G	R01 08Y 623	UNDER COVER		1	1	1			
4	G	R01 E05 651	FRONT PANEL		1	1	1			
5	G	R01 08Y 096	SCREW CAP		3	3	3			
6	G	R01 08Y 092	VANE SLEEVE		1	1	1			
7	G	R01 08Y 691	FRONT GRILLE		1	1	1			
8	G	R01 A16 500	AIR FILTER		2	2				
	G	R01 A32 500	AIR FILTER				2			
9	G	R01 08Y 002	AUTO VANE		1	1	1			
10	G	R01 E18 658	RECEIVING UNIT		1	1	1		RU	
11	G	R01 08Y 658	CORNER COVER(L)		1	1	1			
12	G	R01 10Y 635	BOX ASSEMBLY		1					
	G	R01 08Y 635	BOX ASSEMBLY			1	1			
13	G	T7W E10 714	WIRELESS REMOTE CONTROLLER		1	1	1			
14	G	R01 E03 049	WIRELESS REMOTE CONTROLLER DOOR		1	1	1			
15	G	R01 E00 075	WIRELESS REMOTE CONTROLLER HOLDER		1	1	1			

Mr. SLIM™

mitsubishi electric corporation

HEAD OFFICE : TOKYO BLDG., 2-7-3, MARUNOUCHI, CHIYODA-KU, TOKYO 100-8310, JAPAN

©Copyright 2005 MITSUBISHI ELECTRIC CORPORATION
Distributed in Feb. 2012 No.OC330 REVISED EDITION-C
Distributed in May 2008 No.OC330 REVISED EDITION-B PDF 7
Distributed in Jun. 2006 No.OC330 REVISED EDITION-A PDF 8
Distributed in Apr. 2005 No.OC330 PDF 9
Made in Japan

New publication, effective Feb. 2012
Specifications are subject to change without notice.