

# **SERVICE PARTS LIST FOR MITSUBISHI ELECTRIC PACKAGED AIR-CONDITIONERS**

**Series : PEAD-RP·GA**

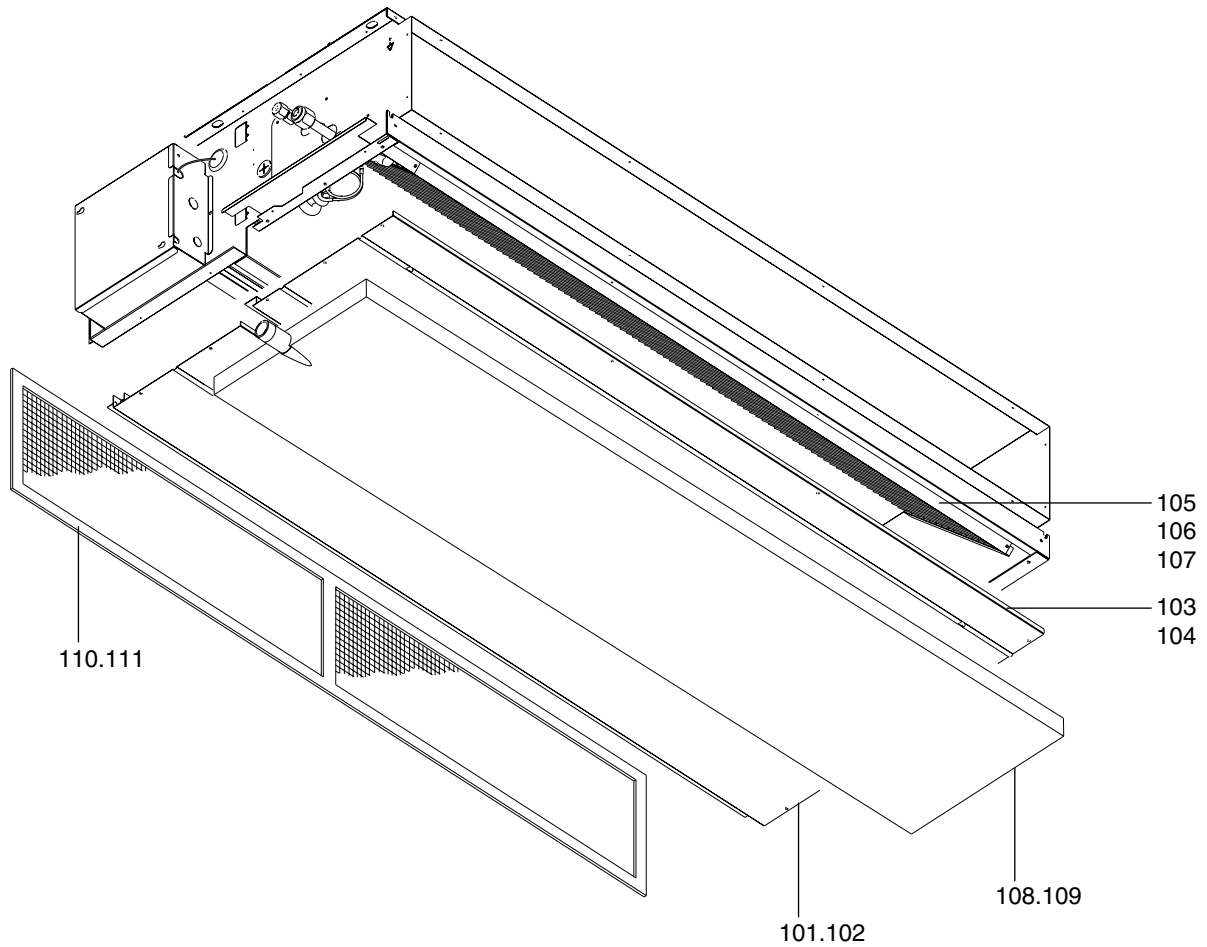
**Oct. 2007**

**BWE07170**

| <b>INDEX</b>        |
|---------------------|
| <b>PEAD-RP60GA</b>  |
| <b>PEAD-RP71GA</b>  |
| <b>PEAD-RP100GA</b> |

PEAD-RP60GA  
 PEAD-RP71GA  
 PEAD-RP100GA

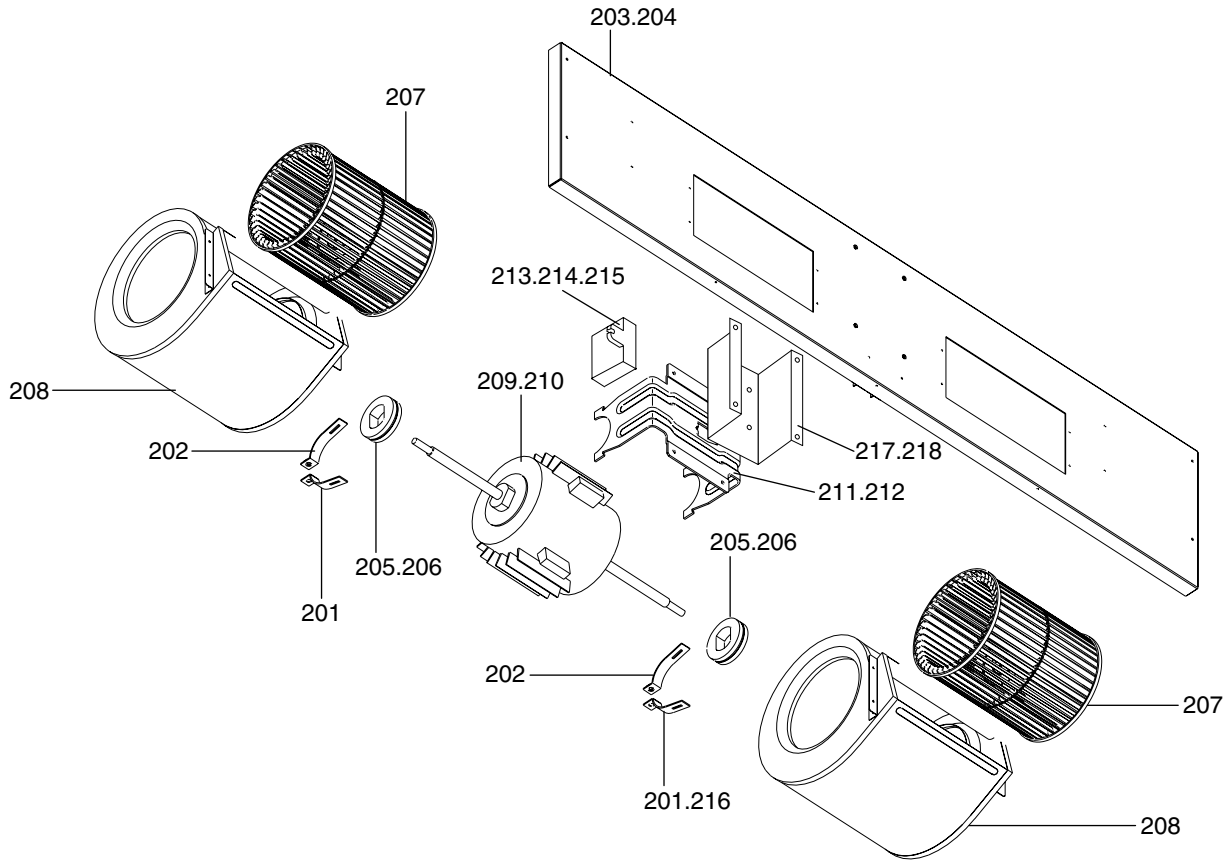
EXTERNAL PARTS



| No. | Part No.     | G : RoHS Apply Only<br>W : RoHS Apply by Running Change |                     | Spec. | PEAD-RP60GA | PEAD-RP71GA | PEAD-RP100GA |  |  | Dwg. No.   | Price | Revision History |
|-----|--------------|---|---------------------|-------|-------------|-------------|--------------|--|--|------------|-------|------------------|
|     |              |   | Part Name           |       |             |             |              |  |  |            |       |                  |
| 101 | S70 071 669G | G   | Bottom plate 2      |       | 1           | 1           |              |  |  | W652372Z05 |       |                  |
| 102 | S70 072 669G | G   | Bottom plate 2      |       |             | 1           |              |  |  | W652372Z07 |       |                  |
| 103 | S70 061 669G | G   | Bottom plate 1 assy |       | 1           | 1           |              |  |  | W902770G03 |       |                  |
| 104 | S70 062 669G | G   | Bottom plate 1 assy |       |             | 1           |              |  |  | W902770G04 |       |                  |
| 105 | S70 K01 480G | G   | Heat exchanger assy |       | 1           |             |              |  |  | W274422G06 |       |                  |
| 106 | S70 K02 480G | G   | Heat exchanger assy |       |             | 1           |              |  |  | W274422G04 |       |                  |
| 107 | S70 K03 480G | G   | Heat exchanger assy |       |             | 1           |              |  |  | W274422G05 |       |                  |
| 108 | S70 061 529G | G   | Drain pan assy      |       | 1           | 1           |              |  |  | W906341G01 |       |                  |
| 109 | S70 071 529G | G   | Drain pan assy      |       |             | 1           |              |  |  | W906341G02 |       |                  |
| 110 | S70 061 500G | G   | Filter              |       | 1           | 1           |              |  |  | W652374G04 |       |                  |
| 111 | S70 071 500G | G   | Filter              |       |             | 1           |              |  |  | W652374G03 |       |                  |
|     |              |   |                     |       |             |             |              |  |  |            |       |                  |
|     |              |   |                     |       |             |             |              |  |  |            |       |                  |
|     |              |   |                     |       |             |             |              |  |  |            |       |                  |
|     |              |   |                     |       |             |             |              |  |  |            |       |                  |
|     |              |   |                     |       |             |             |              |  |  |            |       |                  |
|     |              |   |                     |       |             |             |              |  |  |            |       |                  |
|     |              |   |                     |       |             |             |              |  |  |            |       |                  |

PEAD-RP60GA  
 PEAD-RP71GA  
 PEAD-RP100GA

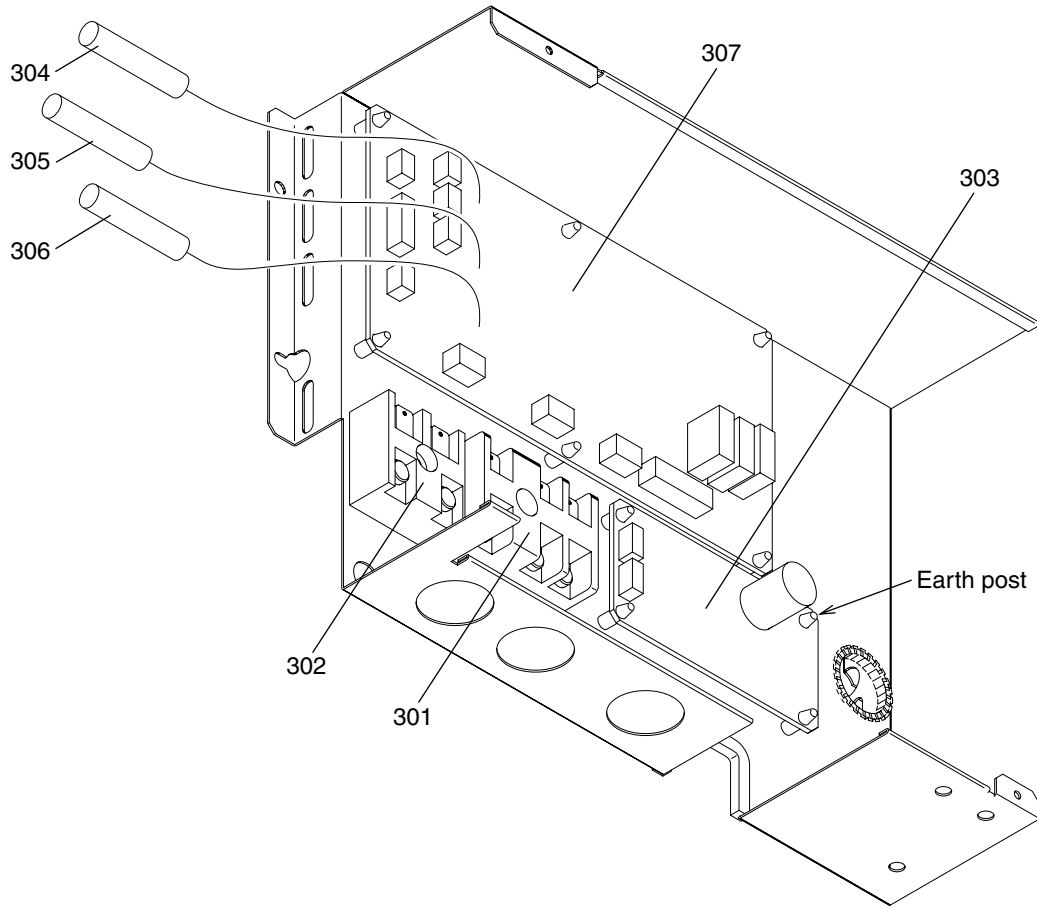
BLOWER PARTS



| No. | Part No.     | G : RoHS Apply Only<br>W : RoHS Apply by Running Change |                     | Spec.      | PEAD-RP60GA | PEAD-RP71GA | PEAD-RP100GA |  |  | Dwg. No.    | Price | Revision History |
|-----|--------------|---|---------------------|------------|-------------|-------------|--------------|--|--|-------------|-------|------------------|
|     |              |   | Part Name           |            |             |             |              |  |  |             |       |                  |
| 201 | S70 507 131  | G   | Piece               |            |             | 2           |              |  |  | R302F328H09 |       |                  |
| 202 | S70 507 132  | G   | Piece               | with a nut |             | 2           |              |  |  | R302F328G84 |       |                  |
| 203 | S70 610 677G | G   | Fan base assy       |            | 1           | 1           |              |  |  | W902772G07  |       |                  |
| 204 | S70 710 677G | G   | Fan base assy       |            |             |             | 1            |  |  | W902772G08  |       |                  |
| 205 | S70 768 105  | G   | Bush                |            | 2           | 2           |              |  |  | W491760H02  |       |                  |
| 206 | S70 755 105  | G   | Bush (Rubber mount) |            |             |             | 2            |  |  | R331F676H01 |       |                  |
| 207 | S70 Y05 114  | G   | Sirocco fan         |            | 2           | 2           | 2            |  |  | W126471G01  |       |                  |
| 208 | S70 980 110G | G   | Housing assy        |            | 2           | 2           | 2            |  |  | W903428G02  |       |                  |
| 209 | S70 Y02 220  | G   | Motor               |            | 1           | 1           |              |  |  | P714913X01  |       |                  |
| 210 | S70 Y03 220  | G   | Motor               |            |             |             | 1            |  |  | P714914X01  |       |                  |
| 211 | S70 652 130  | G   | Motor support       |            | 1           | 1           |              |  |  | W241060H03  |       |                  |
| 212 | S70 883 130  | G   | Motor support       |            |             |             | 1            |  |  | R302G131H07 |       |                  |
| 213 | S70 510 255  | G   | Capacitor 6         |            | 1           |             |              |  |  | P412291X01  |       |                  |
| 214 | S70 610 255  | G   | Capacitor 8         |            |             | 1           |              |  |  | P412292X01  |       |                  |
| 215 | S70 710 255  | G   | Capacitor 4         |            |             |             | 1            |  |  | P412209X01  |       |                  |
| 216 | S70 652 131  | G   | Attachment          |            | 2           | 2           |              |  |  | W353715H01  |       |                  |
| 217 | S70 090 130G | G   | Motor base          |            | 1           | 1           |              |  |  | W634069Z02  |       |                  |
| 218 | S70 031 130G | G   | Motor base          |            |             |             | 1            |  |  | W902771Z03  |       |                  |
|     |              |   |                     |            |             |             |              |  |  |             |       |                  |
|     |              |   |                     |            |             |             |              |  |  |             |       |                  |

PEAD-RP60GA  
 PEAD-RP71GA  
 PEAD-RP100GA

CONTROL BOX PARTS



| No. | Part No.    | G : RoHS Apply Only<br>W : RoHS Apply by Running Change |                  | Spec.      | PEAD-RP60GA | PEAD-RP71GA | PEAD-RP100GA |  |  | Dwg. No.    | Price | Revision History |
|-----|-------------|---|------------------|------------|-------------|-------------|--------------|--|--|-------------|-------|------------------|
|     |             |   | Part Name        |            |             |             |              |  |  |             |       |                  |
| 301 | S70 979 717 | G   | Terminal bed     | <TB4>      | 1           | 1           | 1            |  |  | P436110X01  |       |                  |
| 302 | S70 435 717 | G   | Terminal bed     | <TB5>      | 1           | 1           | 1            |  |  | BA73S950H02 |       |                  |
| 303 | S70 K06 313 | G   | Power board      | PWB        | 1           | 1           | 1            |  |  | RG00B435F12 |       |                  |
| 304 | S70 KW3 202 | G   | Thermistor       | <TH1>RED   | 1           | 1           | 1            |  |  | RG71B018H02 |       |                  |
| 305 | S70 KW2 202 | G   | Thermistor       | <TH2>WHITE | 1           | 1           | 1            |  |  | RG71J486H12 |       |                  |
| 306 | S70 KW1 202 | G   | Thermistor       | <TH5>BLACK | 1           | 1           | 1            |  |  | RG71J488H12 |       |                  |
| 307 | S70 K70 310 | G   | Controller board | I.B        | 1           | 1           | 1            |  |  | RG00N579B44 |       |                  |
|     |             |   |                  |            |             |             |              |  |  |             |       |                  |
|     |             |   |                  |            |             |             |              |  |  |             |       |                  |
|     |             |   |                  |            |             |             |              |  |  |             |       |                  |
|     |             |   |                  |            |             |             |              |  |  |             |       |                  |
|     |             |   |                  |            |             |             |              |  |  |             |       |                  |
|     |             |   |                  |            |             |             |              |  |  |             |       |                  |
|     |             |   |                  |            |             |             |              |  |  |             |       |                  |
|     |             |   |                  |            |             |             |              |  |  |             |       |                  |
|     |             |   |                  |            |             |             |              |  |  |             |       |                  |
|     |             |   |                  |            |             |             |              |  |  |             |       |                  |
|     |             |   |                  |            |             |             |              |  |  |             |       |                  |
|     |             |   |                  |            |             |             |              |  |  |             |       |                  |
|     |             |   |                  |            |             |             |              |  |  |             |       |                  |
|     |             |   |                  |            |             |             |              |  |  |             |       |                  |



