

SPLIT-TYPE, HEAT PUMP AIR CONDITIONERS  
SPLIT-TYPE, AIR CONDITIONERS

February 2012

No.OC330  
REVISED EDITION-C

# SERVICE MANUAL

## Series PKA Wall Mounted R407C/R410A

Indoor unit  
[Model names]

PKA-RP35GAL

PKA-RP50GAL

[Service Ref.]

**PKA-RP35GAL**

**PKA-RP35GAL#1**

**PKA-RP50GAL**

**PKA-RP50GAL#1**

## Series PKH

PKH-P35GALH

PKH-P50GALH

**R407C**

**PKH-P35GALH**

**PKH-P50GALH**

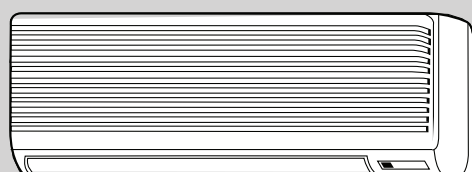
Revision :

- The indicated No. of CORNER COVER (page 37 and 42) have been corrected in REVISED EDITION-C.
- Some descriptions have been modified.

- Please void OC330 REVISED EDITION-B.

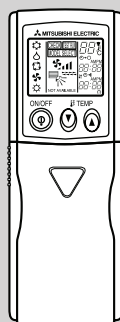
Note :

- This manual describes only service data of the indoor units.
  - RoHS compliant products have <G> mark on spec name plate.
- For servicing of RoHS compliant products, refer to the RoHS Parts List.



Indoor unit

Model name indication



Remote controller

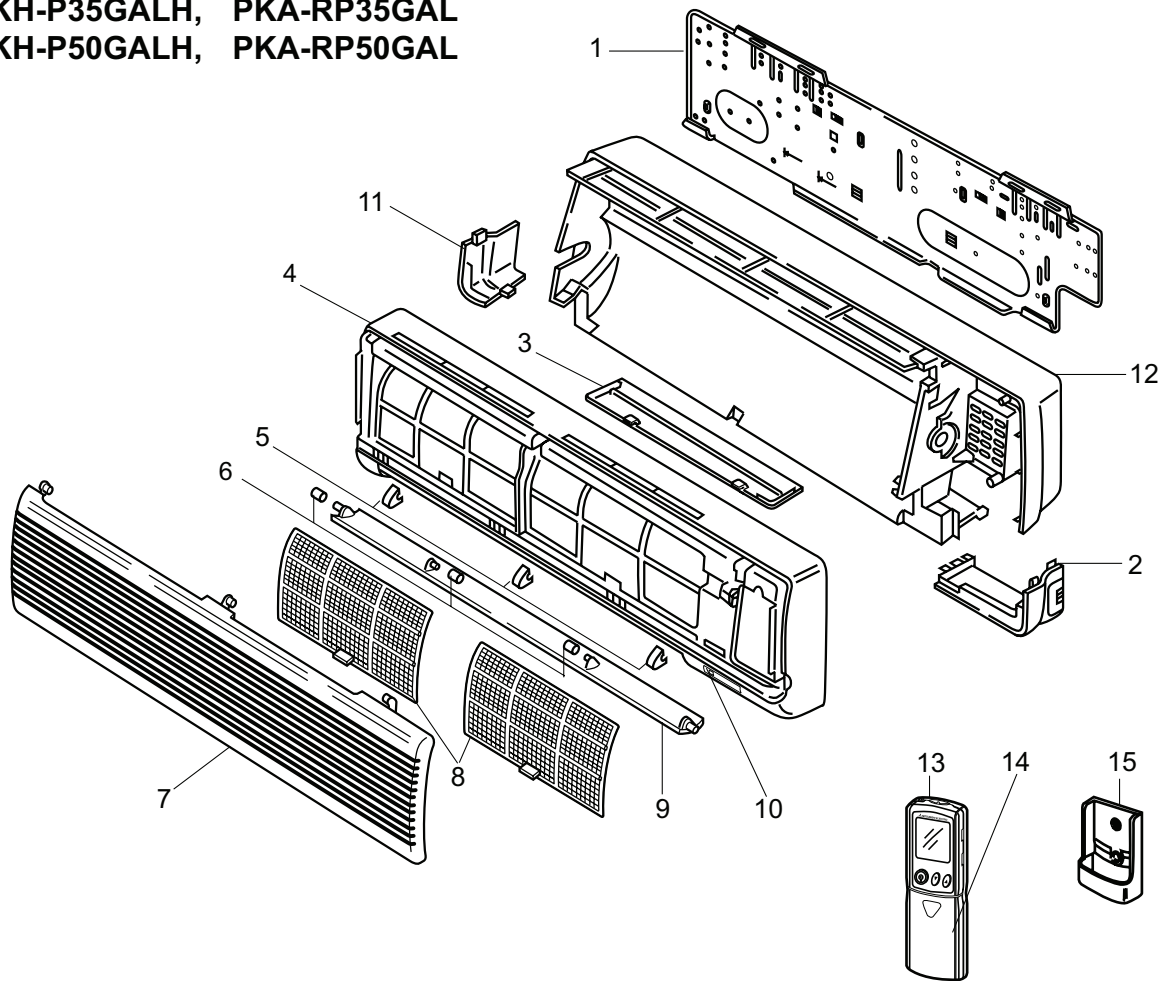
## CONTENTS

1. TECHNICAL CHANGES.....	2
2. REFERENCE MANUAL.....	2
3. SAFETY PRECAUTION.....	3
4. PART NAMES AND FUNCTIONS.....	7
5. SPECIFICATIONS.....	9
6. NOISE CRITERION CURVES.....	11
7. OUTLINES AND DIMENSIONS.....	12
8. WIRING DIAGRAM.....	13
9. REFRIGERANT SYSTEM DIAGRAM.....	14
10. TROUBLESHOOTING.....	15
11. SPECIAL FUNCTION.....	30
12. DISASSEMBLY PROCEDURE.....	33
13. PARTS LIST.....	37
14. RoHS PARTS LIST.....	40

## STRUCTURAL PARTS

PKH-P35GALH, PKA-RP35GAL

PKH-P50GALH, PKA-RP50GAL



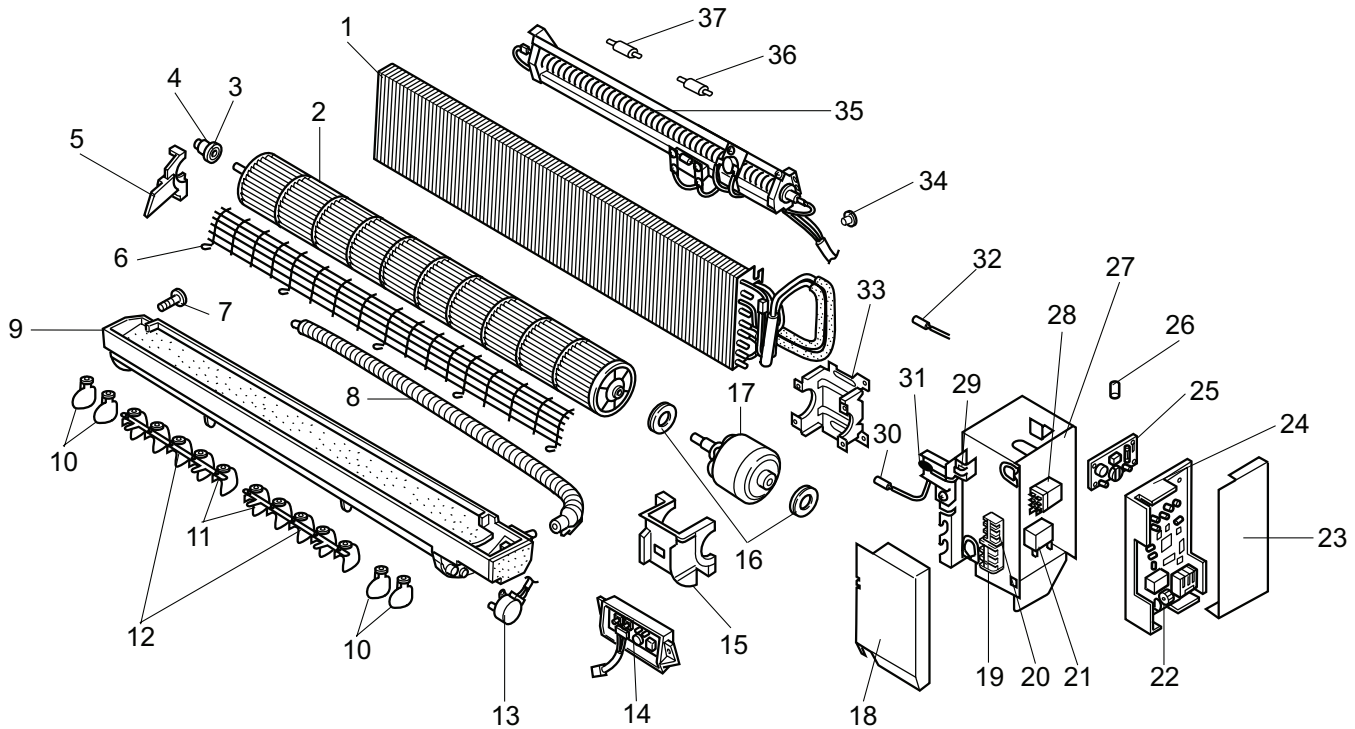
No.	Parts No.	Parts Name	Specifications	PKH-	PKA-	Remarks (Drawing No.)	Wiring Diagram Symbol	Recom- mended Q'ty
				P 35 / P 50 GALH	RP 35 / RP 50 GAL			
1	RO1 07Y 808	BACK PLATE		1	1			
2	RO1 10Y 658	CORNER COVER		1	1			
3	RO1 07Y 623	UNDER COVER		1	1			
4	RO1 89Y 651	FRONT PANEL		1	1			
5	RO1 07Y 096	SCREW CAP		3	3			
6	RO1 07Y 092	VANE SLEEVE		1	1			
7	RO1 07Y 691	FRONT GRILLE		1	1			
8	RO1 A16 500	AIR FILTER		2	2			
9	RO1 07Y 002	AUTO VANE		1	1			
10	RO1 24K 658	RECEIVING UNIT		1	1		RU	
11	RO1 08Y 658	CORNER COVER		1	1			
12	RO1 09Y 635	BOX ASSEMBLY						
	RO1 07Y 635	BOX ASSEMBLY			1			
13	T7W E06 714	WIRELESS REMOTE CONTROLLER		1	1			
14	RO1 E01 049	WIRELESS REMOTE CONTROLLER DOOR		1	1			
15	RO1 E00 075	WIRELESS REMOTE CONTROLLER HOLDER		1	1			

# (non-RoHS compliant)

## ELECTRICAL PARTS

PKH-P35GALH, PKA-RP35GAL

PKH-P50GALH, PKA-RP50GAL



No.	Parts No.	Parts Name	Specifications	PKH-	PKA-	Remarks (Drawing No.)	Wiring Diagram Symbol	Recom- mended Q'ty
				P35 /P50 GALH	RP35 /RP50 GAL			
1	R01 E 48 480	HEAT EXCHANGER		1				
	T7W E 56 480	HEAT EXCHANGER			1			
2	R01 09Y 114	LINE FLOW FAN		1				
	R01 07Y 114	LINE FLOW FAN			1			
3	R01 07Y 102	BEARING MOUNT		1	1			
4	R01 005 103	SLEEVE BEARING		1	1			
5	R01 07Y 106	BEARING SUPPORT		1	1			
6	T7W A00 675	FAN GUARD		1	1			
7	R01 07Y 524	DRAIN PLUG		1	1			
8	R01 07Y 527	DRAIN HOSE		1	1			
9	R01 07Y 530	NOZZLE		1	1			
10	R01 09Y 038	GUIDE VANE		4	4			
11	R01 07Y 038	GUIDE VANE		10	10			
12	R01 07Y 059	ARM		2	2			
13	R01 E04 223	VANE MOTOR		1	1		MV	
14	R01 E03 317	WIRELESS ADAPTER CONTROLLER BOARD		1	1		W.B	
15	R01 07Y 135	MOTOR COVER		1	1			
16	R01 07Y 105	RUBBER MOUNT		2	2			
17	T7W A01 762	FAN MOTOR	PM4V30-K	1	1		MF	

To be continued on the next page.

## (non-RoHS compliant)

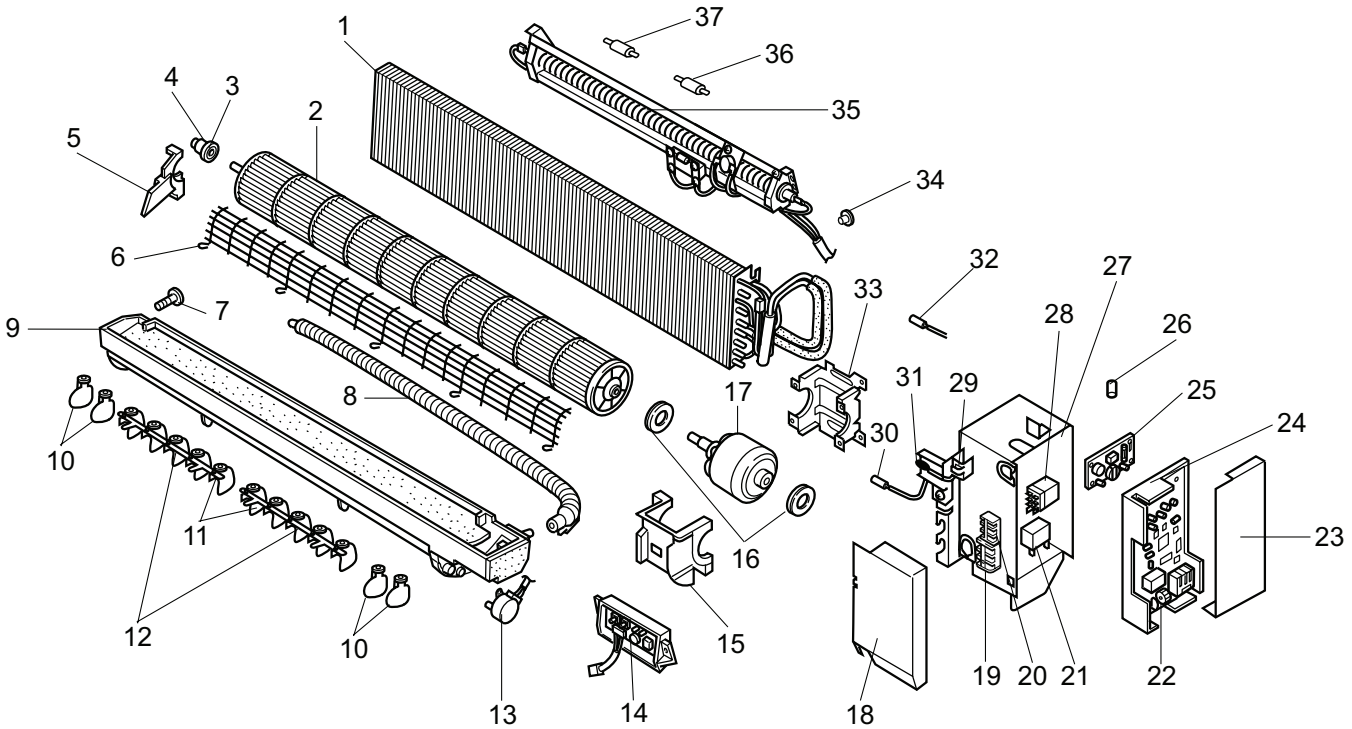
From the preceding page.

Part number that is circled is not shown in the figure.

No.	Parts No.	Parts Name	Specifications	PKH-	PKA-	Remarks (Drawing No.)	Wiring Diagram Symbol	Recom- mended Q'ty
				P35 /P50 GALH	RP35 /RP50 GAL			
18	—	TERMINAL COVER		1	1	(BG02V195H10)		
19	T7W A14 716	TERMINAL BLOCK	3P(L, N, ⊕)	1			TB2	
20	T7W E23 716	TERMINAL BLOCK	3P(S1, S2, S3)	1	1		TB4	
21	R01 588 255	CAPACITOR	2.0 $\mu$ F ×440V	1	1		C	
22	T7W E40 310	INDOOR CONTROLLER BOARD		1	1		I.B	
23	—	CONTROLLER COVER		1	1	(BG02V194G03)		
24	—	CONTROLLER CASE		1	1	(BG25B573H06)		
25	R01 E02 313	POWER BOARD		1	1		P.B	
26	R01 E02 239	FUSE	250V 6.3A	1	1		FUSE	
27	—	ELECTRICAL PARTS COVER		1	1	(BG00V196G41)		
28	R01 71G 215	HEATER CONTACTOR		1			88H	
29	—	SENSOR HOLDER		1	1	(RG25C546G01)		
30	R01 E58 202	CONDENSER / EVAPORATOR TEMPERATURE THERMISTOR		1	1		TH5	
31	T7W E05 202	ROOMTEMPERATURE THERMISTOR		1	1		TH1	
32	R01 E02 202	PIPE TEMPERATUER THERMISTOR		1	1		TH2	
33	R01 07Y 130	MOTOR SUPPORT		1	1			
34	R01 64K 700	HEATER THERMAL SWITCH	60°C OFF 40°C ON	1			26H	
35	T7W E13 300	HEATER ELEMENT	800W	1			H1	
36	R01 986 706	THERMAL FUSE	104°C 10A	1			FS1	
37	R01 208 706	THERMAL FUSE	84°C 10A	1			FS2	
38	R01 20J 303	INSULATOR		1				

ELECTRICAL PARTS

PKH-P35GALH, PKA-RP35GAL, PKA-RP35GAL#1  
 PKH-P50GALH, PKA-RP50GAL, PKA-RP50GAL#1



No.	RoHS	Parts No.	Parts Name	Specifications	PKH-	PKA-	Remarks (Drawing No.)	Wiring Diagram Symbol	Recom- mended Q'ty
					P35 /P50 GALH	RP35 /RP50 GAL(#1)			
1	G	R01 E 70 480	HEAT EXCHANGER		1				
	G	T7W H36 480	HEAT EXCHANGER			1			
2	G	R01 E 21 114	LINE FLOWFAN		1				
	G	R01 E 22 114	LINE FLOWFAN			1			
3	G	R01 08Y 102	BEARING MOUNT		1	1			
4	G	R01 E04 103	SLEEVE BEARING		1	1			
5	G	R01 08Y 106	BEARING SUPPORT		1	1			
6	G	T7W A01 675	FAN GUARD		1	1			
7	G	R01 08Y 524	DRAIN PLUG		1	1			
8	G	R01 08Y 527	DRAIN HOSE		1	1			
9	G	R01 08Y 530	NOZZLE		1	1			
10	G	R01 10Y 038	GUIDE VANE		4	4			
11	G	R01 08Y 038	GUIDE VANE		10	10			
12	G	R01 08Y 059	ARM		2	2			
13	G	R01 E 14 223	VANE MOTOR		1	1			MV
14	G	R01 E 06 317	WIRELESS ADAPTER CONTROLLER BOARD		1	1			W.B
15	G	R01 08Y 135	MOTOR COVER		1	1			
16	G	R01 08Y 105	RUBBER MOUNT		2	2			
17	G	T7W A02 762	FAN MOTOR	PM4V30-K	1	1			MF

To be continued on the next page.

## (RoHS PARTS LIST)

From the preceding page.

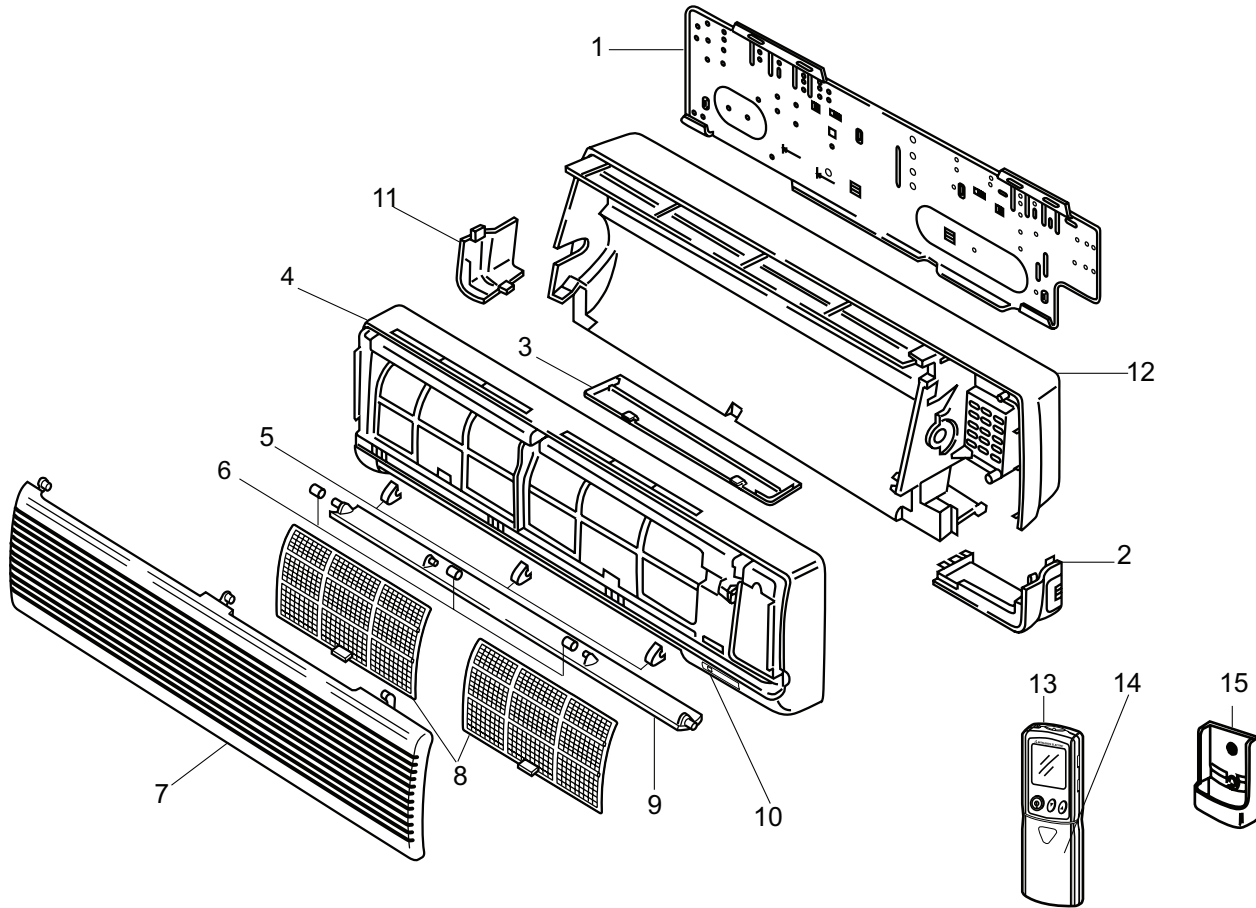
Part number that is circled is not shown in the figure.

No.	RoHS	Parts No.	Parts Name	Specifications	PKH-	PKA-		Remarks (Drawing No.)	Wiring Diagram Symbol	Recom- mended Q'ty
					P35/P50 GALH	RP35/RP50 GAL	RP35/RP50 GAL#1			
18	G	—	TERMINAL COVER		1	1	1	(BG02V195H10)		
19	G	T7W E23 716	TERMINAL BLOCK	3P(L, N, ⊕)	1				TB2	
20	G	R01 E20 246	TERMINAL BLOCK	3P(S1, S2,S3)	1	1	1		TB4	
21	G	R01 E13 255	CAPACITOR	2.0 $\mu$ F×440V	1	1	1		C	
22	G	T7W E50 310	INDOOR CONTROLLER BOARD		1	1			I.B	
	G	T7W E73 310	INDOOR CONTROLLER BOARD				1		I.B	
23	G	—	CONTROLLER COVER		1	1	1	(BG02V194G03)		
24	G	—	CONTROLLER CASE		1	1	1	(BG25B573H06)		
25	G	R01 E38 313	POWER BOARD		1	1	1		P.B	
26	G	R01 E06 239	FUSE	250V 6.3A	1	1	1		FUSE	
27	G	—	ELECTRICAL PARTS COVER		1	1	1	(BG00V196G53)		
28	G	R01 E03 215	HEATER CONTACTOR		1				88H	
29	G	—	SENSOR HOLDER		1	1	1	(RG25C546G01)		
30	G	R01 H05 202	CONDENSER/EVAPORATOR TEMPERATURE THERMISTOR		1	1	1		TH5	
31	G	R01 H08 202	ROOM TEMPERATURE THERMISTOR		1	1	1		TH1	
32	G	R01 H11 202	PIPE TEMPERATURE THERMISTOR		1	1	1		TH2	
33	G	R01 08Y 130	MOTOR SUPPORT		1	1	1			
34	G	R01 E11 700	HEATER THERMAL SWITCH	60°C OFF 40°C ON	1				26H	
35	G	T7W E18 300	HEATER ELEMENT	800W	1				H1	
36	G	R01 E00 706	THERMAL FUSE	104°C 10A	1				FS1	
37	G	R01 E01 706	THERMAL FUSE	84°C 10A	1				FS2	
38	G	R01 31J 303	INSULATOR		1					

# (RoHS PARTS LIST)

## STRUCTURAL PARTS

PKH-P35GALH, PKA-RP35GAL, PKA-RP35GAL#1  
 PKH-P50GALH, PKA-RP50GAL, PKA-RP50GAL#1



No.	RoHS	Parts No.	Parts Name	Specifications	PKH-	PKA-		Remarks (Drawing No.)	Wiring Diagram Symbol	Recom- mended Q'ty
					P35/P50 GALH	RP35/RP50 GAL	RP35/RP50 GAL#1			
1	G	R01 08Y 808	BACK PLATE		1	1	1			
2	G	R01 10Y 658	CORNER COVER(R)		1	1	1			
3	G	R01 08Y 623	UNDER COVER		1	1	1			
4	G	R01 E05 651	FRONT PANEL		1	1	1			
5	G	R01 08Y 096	SCREW CAP		3	3	3			
6	G	R01 08Y 092	VANE SLEEVE		1	1	1			
7	G	R01 08Y 691	FRONT GRILLE		1	1	1			
8	G	R01 A16 500	AIR FILTER		2	2				
	G	R01 A32 500	AIR FILTER				2			
9	G	R01 08Y 002	AUTO VANE		1	1	1			
10	G	R01 E18 658	RECEIVING UNIT		1	1	1		RU	
11	G	R01 08Y 658	CORNER COVER(L)		1	1	1			
12	G	R01 10Y 635	BOX ASSEMBLY		1					
	G	R01 08Y 635	BOX ASSEMBLY			1	1			
13	G	T7W E10 714	WIRELESS REMOTE CONTROLLER		1	1	1			
14	G	R01 E03 049	WIRELESS REMOTE CONTROLLER DOOR		1	1	1			
15	G	R01 E00 075	WIRELESS REMOTE CONTROLLER HOLDER		1	1	1			





Mr. SLIM™

## MITSUBISHI ELECTRIC CORPORATION

HEAD OFFICE : TOKYO BLDG., 2-7-3, MARUNOUCHI, CHIYODA-KU, TOKYO 100-8310, JAPAN

©Copyright 2005 MITSUBISHI ELECTRIC CORPORATION  
Distributed in Feb. 2012 No.OC330 REVISED EDITION-C  
Distributed in May 2008 No.OC330 REVISED EDITION-B PDF 7  
Distributed in Jun. 2006 No.OC330 REVISED EDITION-A PDF 8  
Distributed in Apr. 2005 No.OC330 PDF 9  
Made in Japan

New publication, effective Feb. 2012  
Specifications are subject to change without notice.