

SPLIT-TYPE, HEAT PUMP AIR CONDITIONERS
SPLIT-TYPE, AIR CONDITIONERS

May 2008

No.OC331
REVISED EDITION-B

SERVICE MANUAL

Series PKA Wall Mounted R407C/R410A

Indoor unit

[Model names] [Service Ref.]

PKA-RP50FAL2	PKA-RP50FAL2	PKA-RP50FAL2#1
PKA-RP60FAL	PKA-RP60FAL	PKA-RP60FAL#1
PKA-RP71FAL	PKA-RP71FAL	PKA-RP71FAL#1
PKA-RP100FAL	PKA-RP100FAL	PKA-RP100FAL#1

Revision:

- PKA-RP50~100FAL(2)#1 are added in REVISED EDITION-B.
- Some descriptions have been modified.

- Please void OC331 REVISED EDITION-A.

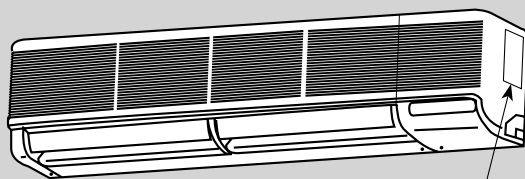
Series PKH

R407C

PKH-P60FALH	PKH-P60FALH
PKH-P71FALH	PKH-P71FALH
PKH-P100FALH	PKH-P100FALH

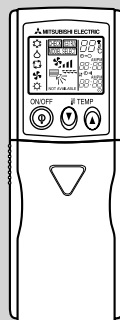
Note:

- This manual describes only service data of the indoor units.
- RoHS compliant products have <G> mark on the spec name plate.
- For servicing of RoHS compliant products, refer to the RoHS Parts List.



Indoor unit

Model name indication



Remote controller

CONTENTS

1. TECHNICAL CHANGES.....	2
2. REFERENCE MANUAL.....	2
3. SAFETY PRECAUTION.....	3
4. PART NAMES AND FUNCTIONS.....	7
5. SPECIFICATIONS.....	8
6. NOISE CRITERION CURVES.....	10
7. OUTLINES AND DIMENSIONS.....	11
8. WIRING DIAGRAM.....	13
9. REFRIGERANT SYSTEM DIAGRAM.....	14
10. TROUBLE SHOOTING.....	15
11. SPECIAL FUNCTION.....	30
12. DISASSEMBLY PROCEDURE.....	33
13. PARTS LIST.....	36
14. RoHS PARTS LIST.....	42

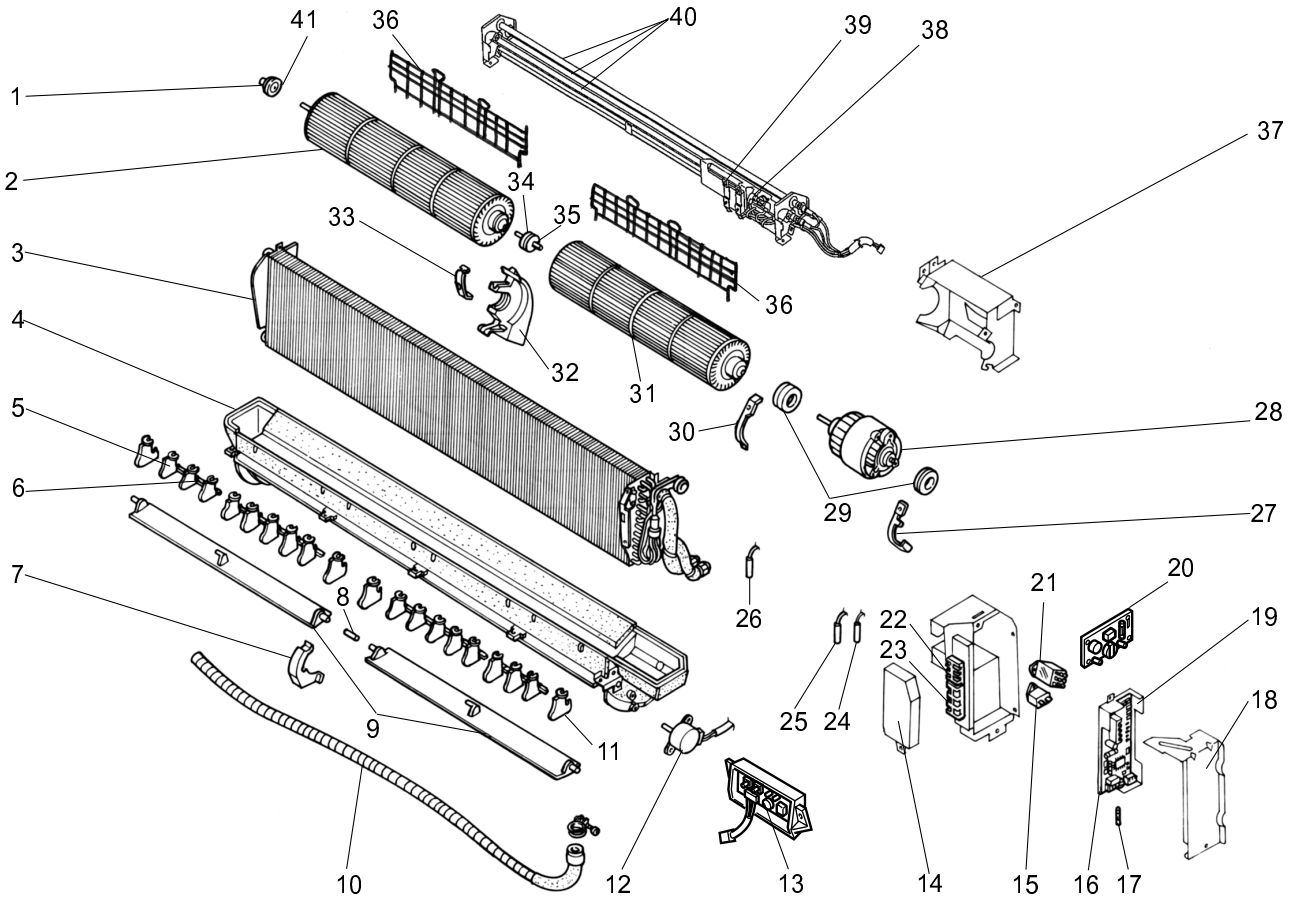
ELECTRICAL PARTS

PKA-RP60FAL

PKH-P60FALH

PKA-RP71FAL

PKH-P71FALH



No.	Part No.	Part Name	Specification	Q'ty/set				Remarks (Drawing No.)	Wiring Diagram Symbol	Recom- mended Q'ty
				PKH-P-FALH		PKA-RP-FAL				
				60	71	60	71			
1	R01 Z61 102	BEARING MOUNT		1	1	1	1			
2	R01 12G 114	LEFT LINEFLOW FAN		1	1					
	R01 G13 114	LEFT LINEFLOW FAN				1	1			
3	T7W E57 480	HEAT EXCHANGER				1				
	R01 E61 480	HEAT EXCHANGER		1						
	R01 E62 480	HEAT EXCHANGER			1		1			
4	T7W E13 529	DRAIN PAN		1	1	1	1			
5	—	GUIDE VANE		16	16	16	16	(BG25J821H01)		
6	—	ARM		3	3	3	3	(BG25H301H02)		
7	R01 12G 621	CENTER COVER		1	1	1	1			
8	R01 12G 063	JOINT SHAFT		1	1	1	1			
9	R01 12G 002	AUTO VANE		2	2	2	2			
10	R01 KV5 527	DRAIN HOSE		1	1	1	1			
11	—	GUIDE VANE		4	4	4	4	(BG25J821H02)		
12	R01 E05 223	VANE MOTER		1	1	1	1		MV	
13	R01 E06 317	WIRELESS ADAPTER CONTROLLER BOARD		1	1	1	1		W.B	
14	—	TERMINAL COVER		1	1	1	1	(BG02J608H07)		
15	R01 588 255	CAPACITOR	2.0 μ F 440V	1	1	1	1		C	
16	T7W E40 310	INDOOR CONTROLLER BOARD		1	1	1	1		I.B	

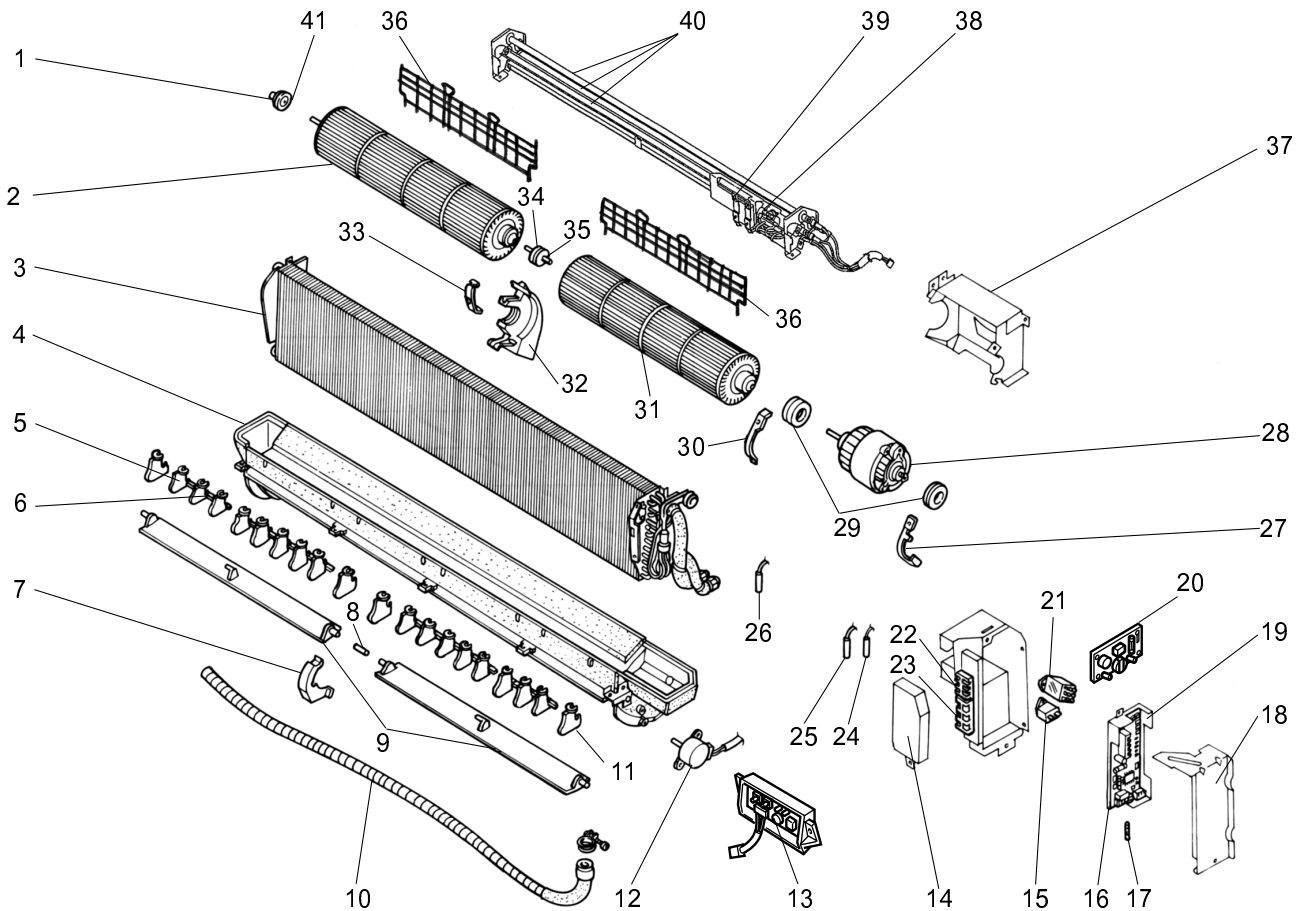
Continued to the next page.

From the previous page.

Part number that is circled is not shown in the figure.

No.	Part No.	Part Name	Specification	Q'ty/set				Remarks (Drawing No.)	Wiring Diagram Symbol	Recom- mended Q'ty
				PKH-P		PKA-RP				
				60 FALH	71 FALH	60 FAL	71 FAL			
17	R01 E02 239	FUSE	250V 6.3A	1	1	1	1		FUSE	
18	—	CONTROLLER COVER		1	1	1	1	(BG02A648G03)		
19	—	CONTROLLER CASE		1	1	1	1	(BG25J080H02)		
20	R01 E02 313	INDOOR POWER BOARD		1	1	1	1		P.B	
21	R01 71G 215	HEATER CONTACTOR	JC-1A DC12V	1	1				88H	
22	T7W E23 716	TERMINAL BLOCK	3P(S1, S2, S3)	1	1	1	1		TB4	
23	T7W A14 716	TERMINAL BLOCK	3P(L,N,⊕)	1	1				TB2	
24	T7W E12 202	ROOM TEMPERATURE THERMISTOR		1	1	1	1		TH1	
25	R01 E34 202	CONDENSER / EVAPORATOR TEMPERATURE THERMISTOR		1	1	1	1		TH5	
26	R01 E02 202	PIPE TEMPERATURE THERMISTOR		1	1	1	1		TH2	
27	—	MOTOR BAND		1	1	1	1	(BG02H065H01)		
28	R01 12G 220	FAN MOTOR	PN4S40-K	1	1	1	1		MF	
29	R01 12G 105	RUBBER MOUNT		2	2	2	2			
30	—	MOTOR BAND		1	1	1	1	(BG02H178H01)		
31	R01 12G 115	RIGHT LINEFLOW FAN		1	1					
	R01 13G 115	RIGHT LINEFLOW FAN				1	1			
32	—	CENTER SUPPORT		1	1	1	1	(BG00R259G07)		
33	—	BEARING BAND		1	1	1	1	(BG02L462H02)		
34	R01 KV5 102	BEARING MOUNT		1	1	1	1			
35	R01 12G 103	SLEEVE BEARING		1	1	1	1			
36	T7W B02 675	FAN GUARD		2	2	2	2			
37	—	MOTOR LEG		1	1	1	1	(BG02A534H16)		
38	R01 230 700	HEATER THERMAL SWITCH	70°C OFF 50°C ON	1	1				26H	
39	R01 12G 706	THERMAL FUSE	117°C 10A 250V	1	1				FS1,2	
40	T7W 587 300	HEATER	240V 700W	3	3				H1	
41	R01 005 103	SLEEVE BEARING		1	1	1	1			
④2	R01 20J 303	INSULATOR		1	1					

ELECTRICAL PARTS
PKA-RP100FAL PKH-P100FALH



No.	Part No.	Part Name	Specification	Q'ty/set		Remarks (Drawing No.)	Wiring Diagram Symbol	Recom- mended Q'ty
				PKH - P 100FALH	PKA - RP 100FAL			
1	R01 Z61 102	BEARING MOUNT		1	1			
2	R01 16G 114	LEFT LINEFLOW FAN		1				
	R01 17G 114	LEFT LINEFLOW FAN			1			
3	T7W E22 480	HEAT EXCHANGER		1				
	T7W E58 480	HEAT EXCHANGER			1			
4	T7W E14 529	DRAIN PAN		1	1			
5	—	GUIDE VANE		22	22	(BG25J821H01)		
6	—	ARM		4	4	(BG25H301H02)		
7	R01 12G 621	CENTER COVER		1	1			
8	R01 12G 063	JOINT SHAFT		1	1			
9	R01 16G 002	AUTO VANE		2	2			
10	R01 KV5 527	DRAIN HOSE		1	1			
11	—	GUIDE VANE		4	4	(BG25J821H02)		
12	R01 E05 223	VANE MOTER		1	1		MV	
13	R01 E03 317	WIRELESS ADAPTER CONTROLLER BOARD		1	1		W.B	
14	—	TERMINAL COVER		1	1	(BG02J608H07)		
15	R01 576 255	CAPACITOR	3.0 μ F 440V	1	1		C	
16	T7W E40 310	INDOOR CONTROLLER BOARD		1	1		I.B	

Continued to the next page.



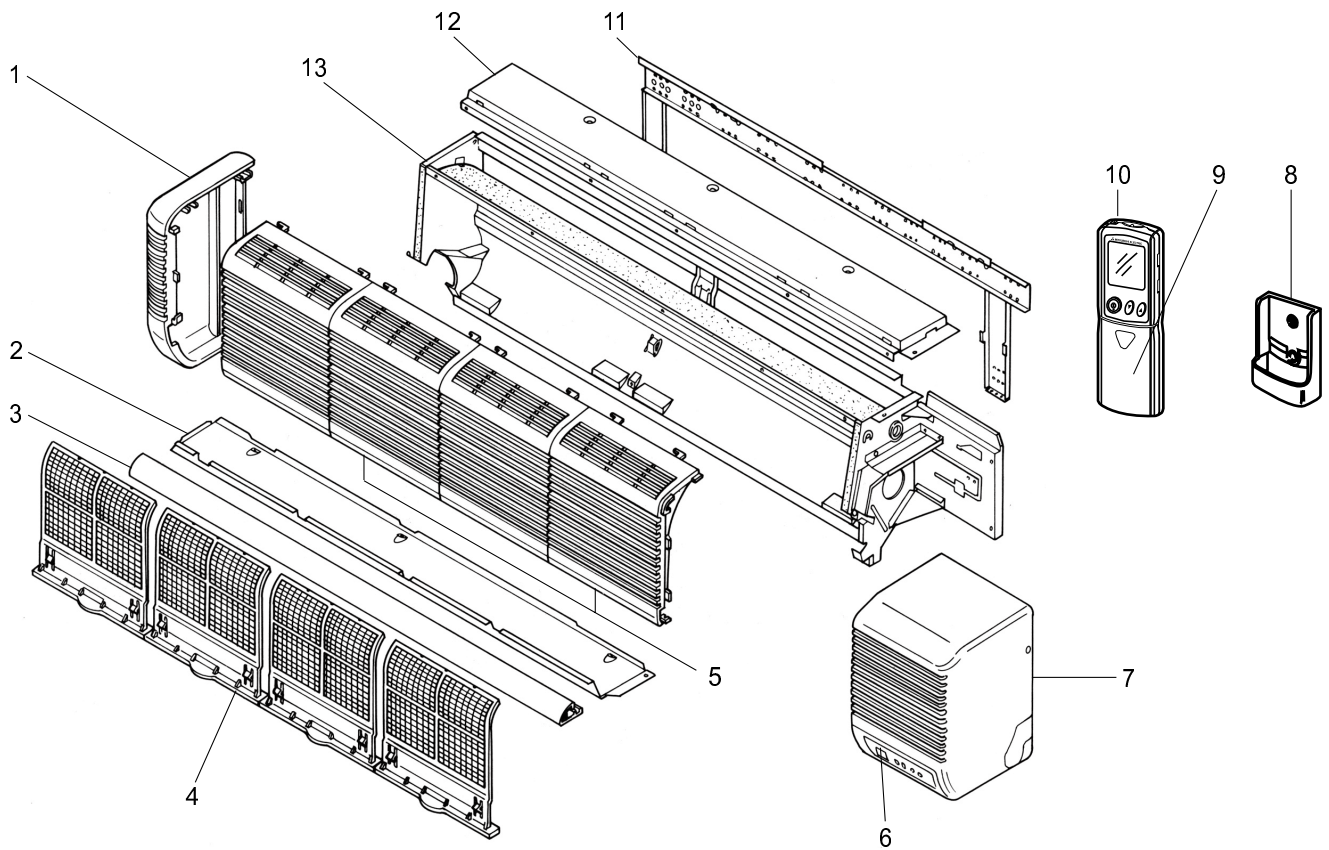
From the previous page.

Part number that is circled is not shown in the figure.

No.	Part No.	Part Name	Specification	Q'ty/set		Remarks (Drawing No.)	Wiring Diagram Symbol	Recom- mended Q'ty
				PKH-P	PKA-RP			
				100FALH	100FAL			
17	R01 E02 239	FUSE	250V 6.3A	1	1		FUSE	
18	—	CONTROLLER COVER		1	1	(BG02A648G03)		
19	—	CONTROLLER CASE		1	1	(BG25J080H02)		
20	R01 E02 313	INDOOR POWER BOARD		1	1		P.B	
21	R01 71G 215	HEATER CONTACTOR	JC-1A DC12V	1			88H	
22	T7W E23 716	TERMINAL BLOCK	3P(S1, S2, S3)	1	1		TB4	
23	T7W A14 716	TERMINAL BLOCK	3P(L, N, ⊕)	1			TB2	
24	T7W E12 202	ROOM TEMPERATURE THERMISTOR		1	1		TH1	
25	R01 E34 202	CONDENSER / EVAPORATOR TEMPERATURE THERMISTOR		1	1		TH5	
26	R01 E02 202	PIPE TEMPERATURE THERMISTOR		1	1		TH2	
27	—	MOTOR BAND		1	1	(BG02H065H01)		
28	T7W 571 762	FAN MOTOR	PN4S70-K	1	1		MF	
29	R01 16G 105	RUBBER MOUNT		2	2			
30	—	MOTOR BAND		1	1	(BG02H178H01)		
31	R01 16G 115	RIGHT LINEFLOW FAN		1				
	R01 17G 115	RIGHT LINEFLOW FAN			1			
32	—	CENTER SUPPORT		1	1	(BG00R259G07)		
33	—	BEARING BAND		1	1	(BG02L462H02)		
34	R01 KV5 102	BEARING MOUNT		1	1			
35	R01 12G 103	SLEEVE BEARING		1	1			
36	T7W B03 675	FAN GUARD		2	2			
37	—	MOTOR LEG		1	1	(BG02A534H17)		
38	R01 230 700	HEATER THERMAL SWITCH	70°C OFF 50°C ON	1			26H	
39	T7W 589 706	THERMAL FUSE	117°C 16A 250V	1			FS1,2	
40	T7W 589 300	HEATER	240V 800W	3			H1	
41	R01 005 103	SLEEVE BEARING		1	1			
④2	R01 20J 303	INSULATOR		1				

STRUCTURAL PARTS

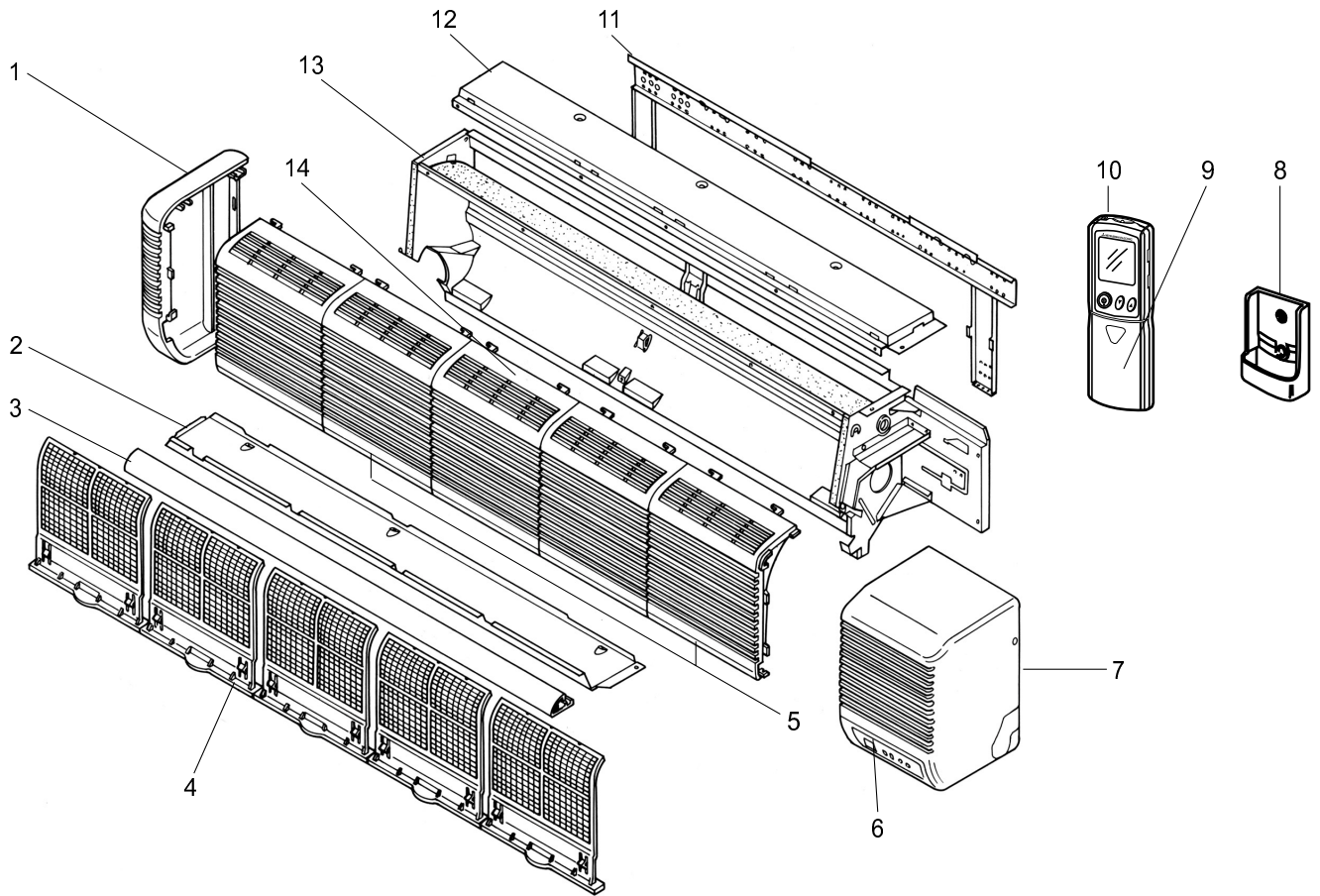
PKA-RP60FAL PKH-P60FALH
 PKA-RP71FAL PKH-P71FALH



Part number that is circled is not shown in the figure.

No.	Part No.	Part Name	Specifications	Q'ty/set		Remarks (Drawing No.)	Wiring Diagram Symbol	Recom- mended Q'ty
				PKA- RP60FAL RP71FAL	PKH- P60FALH P71FALH			
1	R01 12G 662	LEFT SIDE PANEL		1	1			
2	R01 E01 812	UNDER PLATE		1	1			
3	R01 E00 811	NOSE		1	1			
4	R01 A17 500	AIR FILTER		4	4			
5	R01 12G 691	INTAKE GRILLE		2	2			
6	R01 24K 658	RECEIVER		1	1		RU	
7	T7W E05 661	RIGHT SIDE PANEL		1	1			
8	R01 E00 075	WIRELESS REMOTE CONTROLLER HOLDER		1	1			
9	R01 E01 049	WIRELESS REMOTE CONTROLLER DOOR		1	1			
10	T7W E06 714	WIRELESS REMOTE CONTROLLER		1	1			
11	R01 12G 808	BACK PLATE		1	1			
12	R01 E01 641	TOP PLATE		1	1			
13	—	BOX ASSEMBLY		1		(RG00A734GG9)		
	—	BOX ASSEMBLY			1	(RG00A734GH1)		
14	R01 12G 523	DRAIN SOCKET		1	1			

STRUCTURAL PARTS
PKA-RP100FAL PKH-P100FALH



Part number that is circled is not shown in the figure.

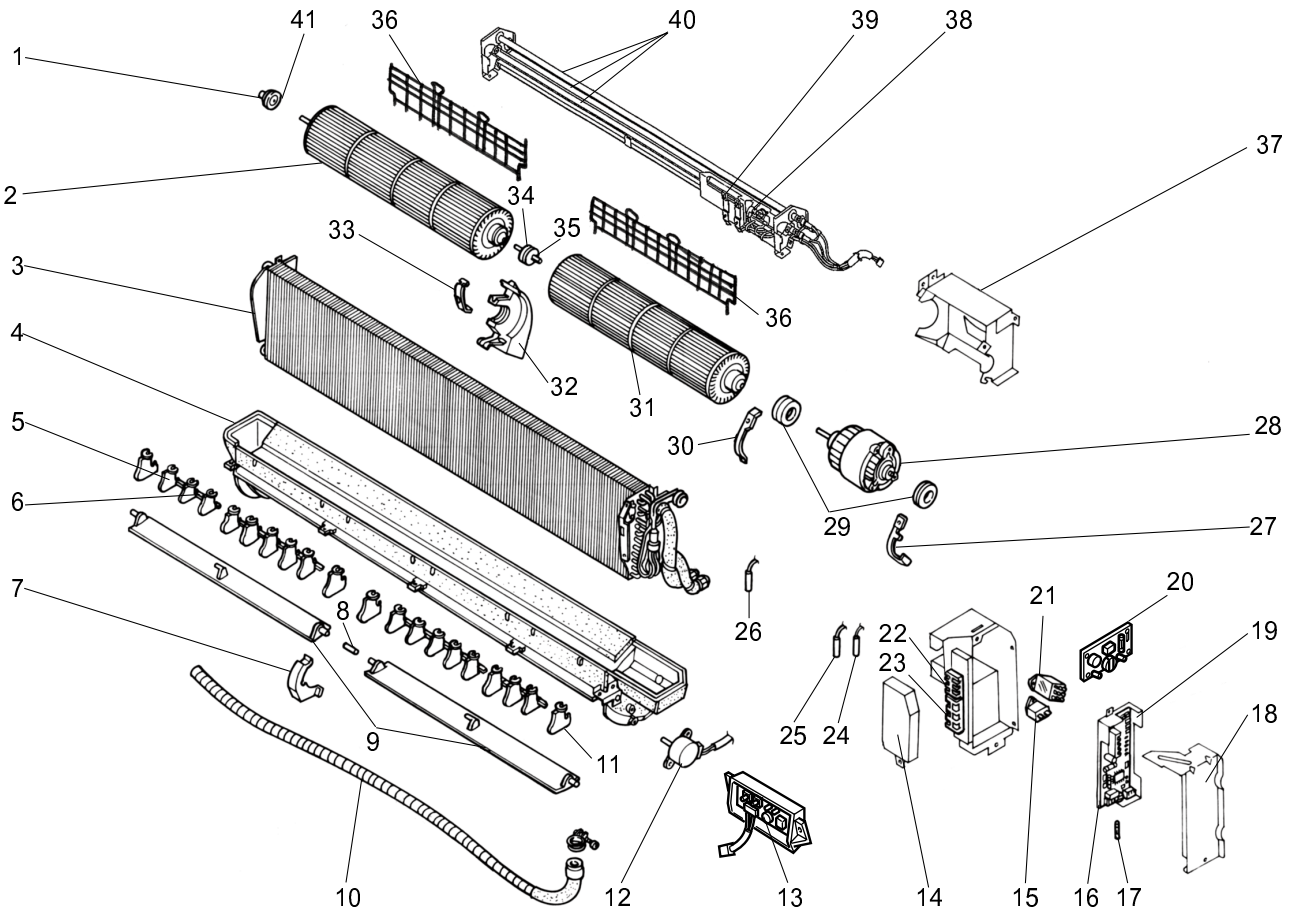
No.	Part No.	Part Name	Specification	Q'ty/set		Remarks (Drawing No.)	Wiring Diagram Symbol	Recom- mended Q'ty
				PKA-	PKH-			
				RP100FAL	P100FALH			
1	R01 12G 662	LEFT SIDE PANEL		1	1			
2	R01 E00 812	UNDER PLATE		1	1			
3	R01 E01 811	NOSE		1	1			
4	R01 A17 500	AIR FILTER		5	5			
5	R01 12G 691	INTAKE GRILLE		2	2			
6	R01 24K 658	RECEIVER		1	1		RU	
7	T7W E05 661	RIGHT SIDE PANEL		1	1			
8	R01 E00 075	WIRELESS REMOTE CONTROLLER HOLDER		1	1			
9	R01 E01 049	WIRELESS REMOTE CONTROLLER DOOR		1	1			
10	T7W E06 714	WIRELESS REMOTE CONTROLLER		1	1			
11	R01 16G 808	BACK PLATE		1	1			
12	R01 E00 641	TOP PLATE		1	1			
13	—	BOX ASSEMBLY		1		(RG00A734GH0)		
	—	BOX ASSEMBLY			1	(RG00A734GH2)		
14	R01 16G 692	INTAKE GRILLE		1	1			
15	R01 12G 523	DRAIN SOCKET		1	1			

ELECTRICAL PARTS

PKA-RP50FAL2
PKA-RP50FAL2#1
PKH-P60FALH

PKA-RP60FAL
PKA-RP60FAL#1
PKH-P71FALH

PKA-RP71FAL
PKA-RP71FAL#1



No.	RoHS	Part No.	Part Name	Specification	Q'ty/set					Remarks (Drawing No.)	Wiring Diagram Symbol	recom- mended Q'ty		
					PKH-P		PKA-RP							
					60 FALH	71 FALH	50 FAL2	60 FAL	71 FAL				50 FAL2#1	60 FAL#1
1	G	R01 Z61 102	BEARING MOUNT		1	1	1	1	1	1				
2	G	R01 18G 114	LEFT LINEFLOW FAN		1	1								
	G	R01 E23 114	LEFT LINEFLOW FAN				1	1	1	1	1			
3	G	T7W H39 480	HEART EXCHANGER				1			1				
	G	R01 K49 480	HEART EXCHANGER		1					1				
	G	R01 K50 480	HEART EXCHANGER			1		1			1			
4	G	T7W E24 529	DRAIN PAN		1	1	1	1	1	1	1	1		
5	G	—	GUIDE VANE		16	16	16	16	16	16	16	16	(BG25J821G01)	
6	G	—	ARM		3	3	3	3	3	3	3	3	(BG25H301G01)	
7	G	R01 14G 621	CENTER COVER		1	1	1	1	1	1	1	1		
8	G	R01 13G 063	JOINT SHAFT		1	1	1	1	1	1	1	1		
9	G	R01 18G 002	AUTO VANE		2	2	2	2	2	2	2	2		
10	G	R01 E04 527	DRAIN HOSE		1	1	1	1	1	1	1	1		
11	G	—	GUIDE VANE		4	4	4	4	4	4	4	4	(BG25J821G02)	
12	G	R01 E15 223	VANE MOTER		1	1	1	1	1	1	1	1		MV
13	G	R01 E06 317	WIRELESS ADAPTER CONTROLLER BOARD		1	1	1	1	1	1	1	1		W.B
14	G	—	TERMINAL COVER		1	1	1	1	1	1	1	1	(BG02J608H07)	
15	G	R01 E13 255	CAPACITOR	2.0μF 440V	1	1	1	1	1	1	1	1		C
16	G	T7W E50 310	INDOOR CONTROLLER BOARD		1	1	1	1	1					I.B
	G	T7W E73 310	INDOOR CONTROLLER BOARD							1	1	1		I.B

Continued to the next page.

From the previous page.

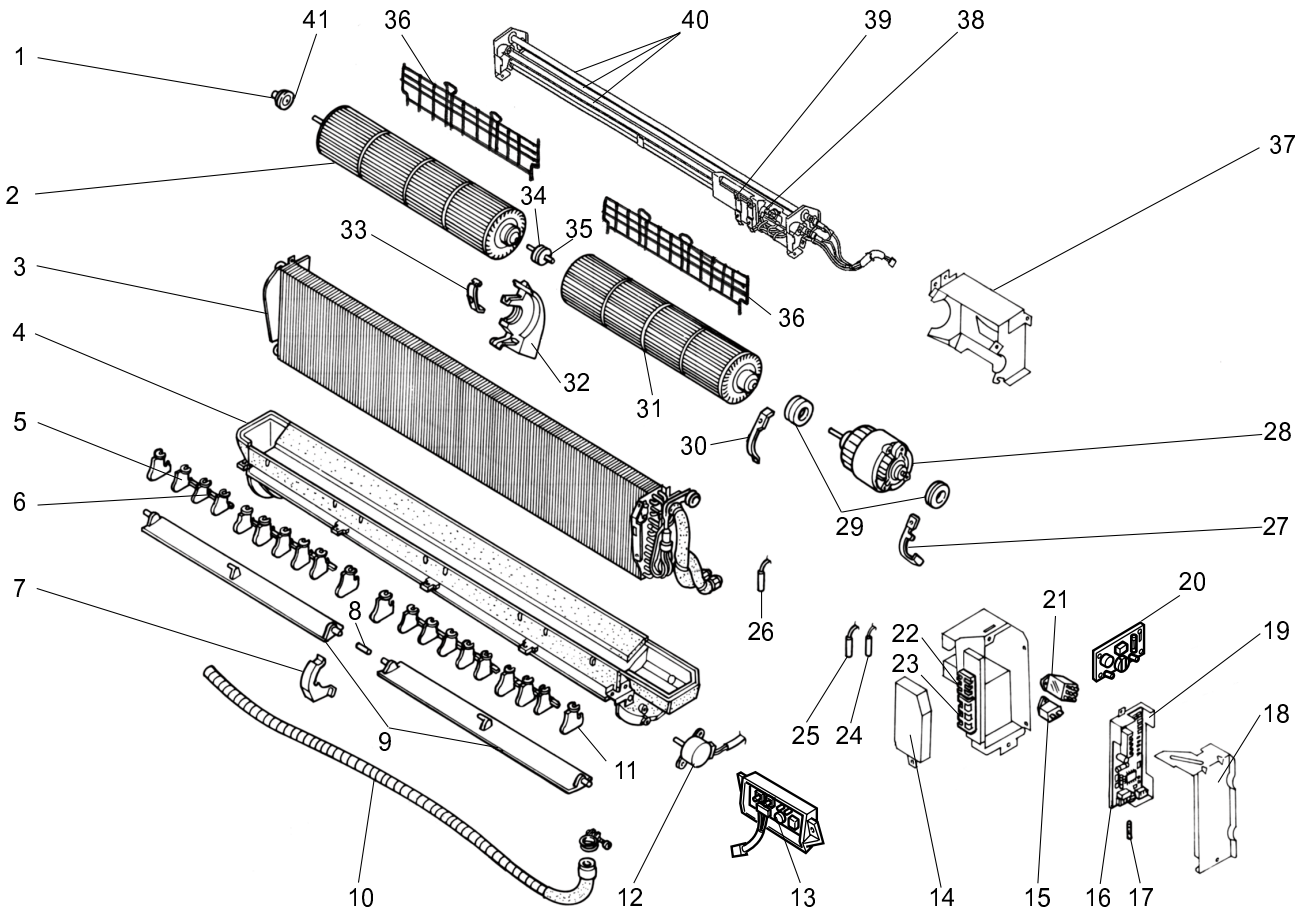
Part number that is circled is not shown in the figure.

No.	RoHS	Part No.	Part Name	Specification	Q'ty/set					Remarks (Drawing No.)	Wiring Diagram Symbol	Recom- mended Q'ty
					PKH-P		PKA-RP					
					60FALH	71FALH	50FAL2 50FAL2#1	60FAL 60FAL#1	71FAL 71FAL#1			
17	G	R01 E06 239	FUSE	250V 6.3A	1	1	1	1	1		FUSE	
18	G	—	CONTROLLER COVER		1	1	1	1	1	(BG02A648G03)		
19	G	—	CONTROLLER CASE		1	1	1	1	1	(BG25J080H02)		
20	G	R01 E38 313	INDOOR POWER BOARD		1	1	1	1	1		P.B	
21	G	R01 E03 215	HEATER CONTACTOR	JC-1A DC12V	1	1					88H	
22	G	R01 E20 246	TERMINAL BLOCK	3P(S1, S2, S3)	1	1	1	1	1		TB4	
23	G	T7W E32 716	TERMINAL BLOCK	3P(L,N,⊕)	1	1					TB2	
24	G	R01 H05 202	ROOM TEMPERATURE THERMISTOR		1	1	1	1	1		TH1	
25	G	R01 H06 202	CONDENSER / EVAPORATOR TEMPERATURE THERMISTOR		1	1	1	1	1		TH5	
26	G	R01 H07 202	PIPE TEMPERATURE THERMISTOR		1	1	1	1	1		TH2	
27	G	—	MOTOR BAND		1	1	1	1	1	(BG02H065H01)		
28	G	R01 13G 220	FAN MOTOR	PN4S40-K	1	1	1	1	1		MF	
29	G	R01 12G 105	RUBBER MOUNT		2	2	2	2	2			
30	G	—	MOTOR BAND		1	1	1	1	1	(BG02H178H01)		
31	G	R01 18G 115	RIGHT LINEFLOW FAN		1	1						
	G	R01 E04 115	RIGHT LINEFLOW FAN				1	1	1			
32	G	—	CENTER SUPPORT		1	1	1	1	1	(BG00R259G07)		
33	G	—	BEARING BAND		1	1	1	1	1	(BG02L462H02)		
34	G	R01 KV5 102	BEARING MOUNT		1	1	1	1	1			
35	G	R01 E03 103	SLEEVE BEARING		1	1	1	1	1			
36	G	T7W E15 675	FAN GUARD		2	2	2	2	2			
37	G	—	MOTOR LEG		1	1	1	1	1	(BG02A534H16)		
38	G	R01 E06 700	HEATER THERMAL SWITCH	70°C OFF 50°C ON	1	1					26H	
39	G	R01 13G 706	THERMAL FUSE	117°C 10A 250V	1	1					FS1,2	
40	G	T7W E17 300	HEATER	240V 700W	3	3					H1	
41	G	R01 E04 103	SLEEVE BEARING		1	1	1	1	1			
④2	G	R01 31J 303	INSULATOR		1	1						

ELECTRICAL PARTS
PKA-RP100FAL

PKA-RP100FAL#1

PKH-P100FALH



No.	RoHS	Part No.	Part Name	Specification	Q'ty/set			Remarks (Drawing No.)	Wiring Diagram Symbol	recom- mended Q'ty
					PKH-P	PKA-RP				
					100FALH	100FAL	100FAL#1			
1	G	R01 Z61 102	BEARING MOUNT		1	1	1			
2	G	R01 19G 114	LEFT LINEFLOW FAN		1					
	G	R01 E24 114	LEFT LINEFLOW FAN			1	1			
3	G	T7W H35 480	HEART EXCHANGER		1					
	G	T7W H38 480	HEART EXCHANGER			1	1			
4	G	T7W E25 529	DRAIN PAN		1	1	1			
5	G	—	GUIDE VANE		22	22	22	(BG25J821G01)		
6	G	—	ARM		4	4	4	(BG25H301G01)		
7	G	R01 14G 621	CENTER COVER		1	1	1			
8	G	R01 13G 063	JOINT SHAFT		1	1	1			
9	G	R01 19G 002	AUTO VANE		2	2	2			
10	G	R01 E04 527	DRAIN HOSE		1	1	1			
11	G	—	GUIDE VANE		4	4	4	(BG25J821G02)		
12	G	R01 E15 223	VANE MOTER		1	1	1		MV	
13	G	R01 E06 317	WIRELESS ADAPTER CONTROLLER BOARD		1	1	1		W.B	
14	G	—	TERMINAL COVER		1	1	1	(BG02J608H07)		
15	G	R01 E12 255	CAPACITOR	3.0 μ F 440V	1	1	1		C	
16	G	T7W E50 310	INDOOR CONTROLLER BOARD		1	1			I.B	
	G	T7W E73 310	INDOOR CONTROLLER BOARD				1		I.B	

Continued to the next page.

From the previous page.

Part number that is circled is not shown in the figure.

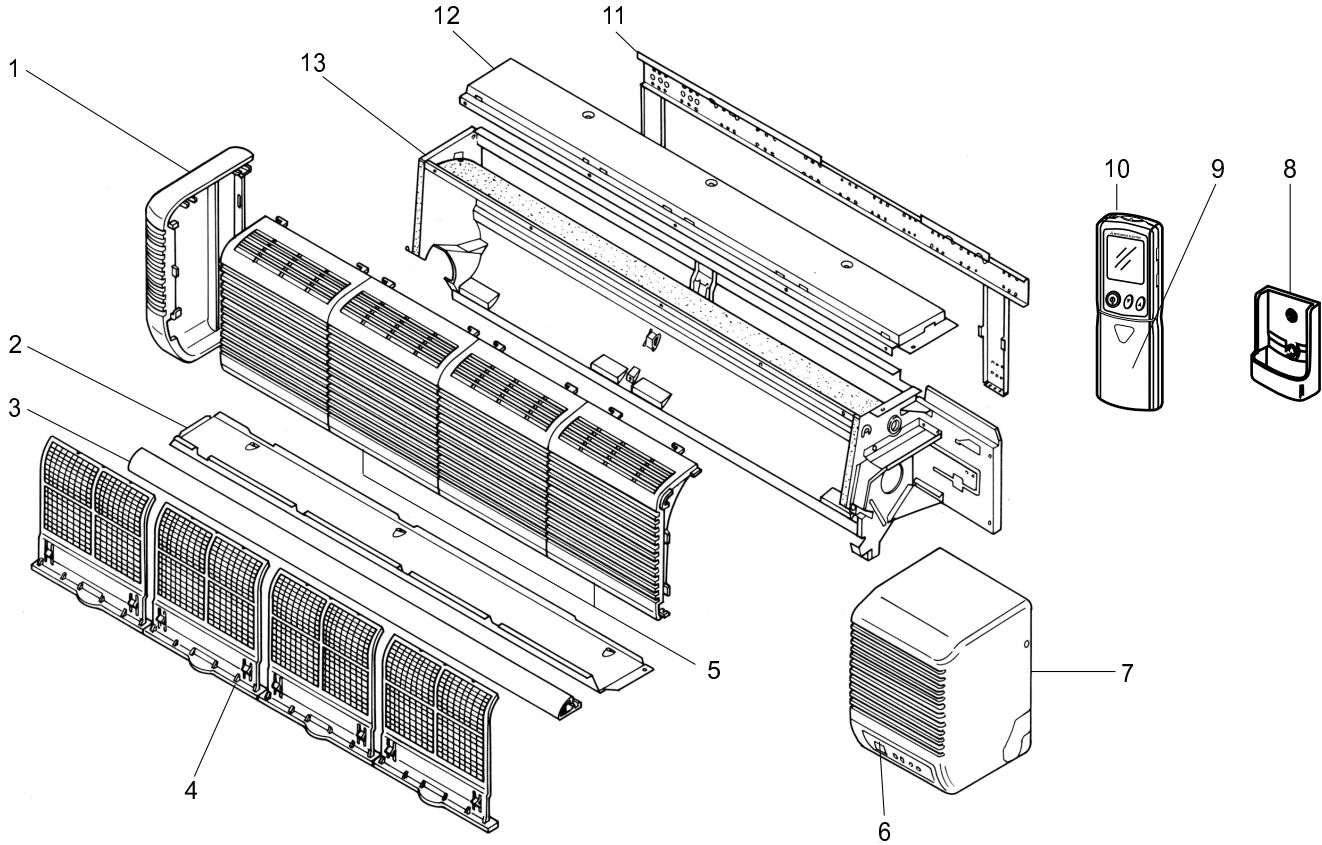
No.	RoHS	Part No.	Part Name	Specification	Q'ty/set			Remarks (Drawing No.)	Wiring Diagram Symbol	recom- mended Q'ty
					PKH-P	PKA-RP				
						100FALH	100FAL			
17	G	R01 E06 239	FUSE	250V 6.3A	1	1	1		FUSE	
18	G	—	CONTROLLER COVER		1	1	1	(BG02A648G03)		
19	G	—	CONTROLLER CASE		1	1	1	(BG25J080H02)		
20	G	R01 E38 313	INDOOR POWER BOARD		1	1	1		P.B	
21	G	R01 E03 215	HEARTER CONTACTOR	JC-1A DC12V	1				88H	
22	G	R01 E20 246	TERMINAL BLOCK	3P(S1, S2, S3)	1	1	1		TB4	
23	G	T7W E32 716	TERMINAL BLOCK	3P(L, N, ⊕)	1				TB2	
24	G	R01 H07 202	ROOM TEMPERATURE THERMISTOR		1	1	1		TH1	
25	G	R01 H05 202	CONDENSER/ EVAPORATOR TEMPERATURE THERMISTOR		1	1	1		TH5	
26	G	R01 H06 202	PIPE TEMPERATURE THERMISTOR		1	1	1		TH2	
27	G	—	MOTOR BAND		1	1	1	(BG02H065H01)		
28	G	T7W E24 762	FAN MOTOR	PN4S70-K	1	1	1		MF	
29	G	R01 16G 105	RUBBER MOUNT		2	2	2			
30	G	—	MOTOR BAND		1	1	1	(BG02H178H01)		
31	G	R01 19G 115	RIGHT LINEFLOW FAN		1	1				
	G	R01 E05 115	RIGHT LINEFLOW FAN				1			
32	G	—	CENTER SUPPORT		1	1	1	(BG00R259G07)		
33	G	—	BEARING BAND		1	1	1	(BG02L462H02)		
34	G	R01 KV5 102	BEARING MOUNT		1	1	1			
35	G	R01 E03 103	SLEEVE BEARING		1	1	1			
36	G	T7W E16 675	FAN GUARD		2	2	2			
37		—	MOTOR LEG		1	1	1	(BG02A534H17)		
38	G	R01 E06 700	HEATER THERMAL SWITCH	70°C OFF 50°C ON	1				26H	
39	G	T7W 11G 706	THERMAL FUSE	117°C 16A 250V	1				FS1, 2	
40	G	T7W E16 300	HEATER	240V 800W	3				H1	
41	G	R01 E04 103	SLEEVE BEARING		1	1	1			
④2	G	R01 31J 303	INSULATOR		1					

STRUCTURAL PARTS

PKA-RP50FAL2
PKA-RP50FAL2#1
PKH-P60FALH

PKA-RP60FAL
PKA-RP60FAL#1
PKH-P71FALH

PKA-RP71FAL
PKA-RP71FAL#1

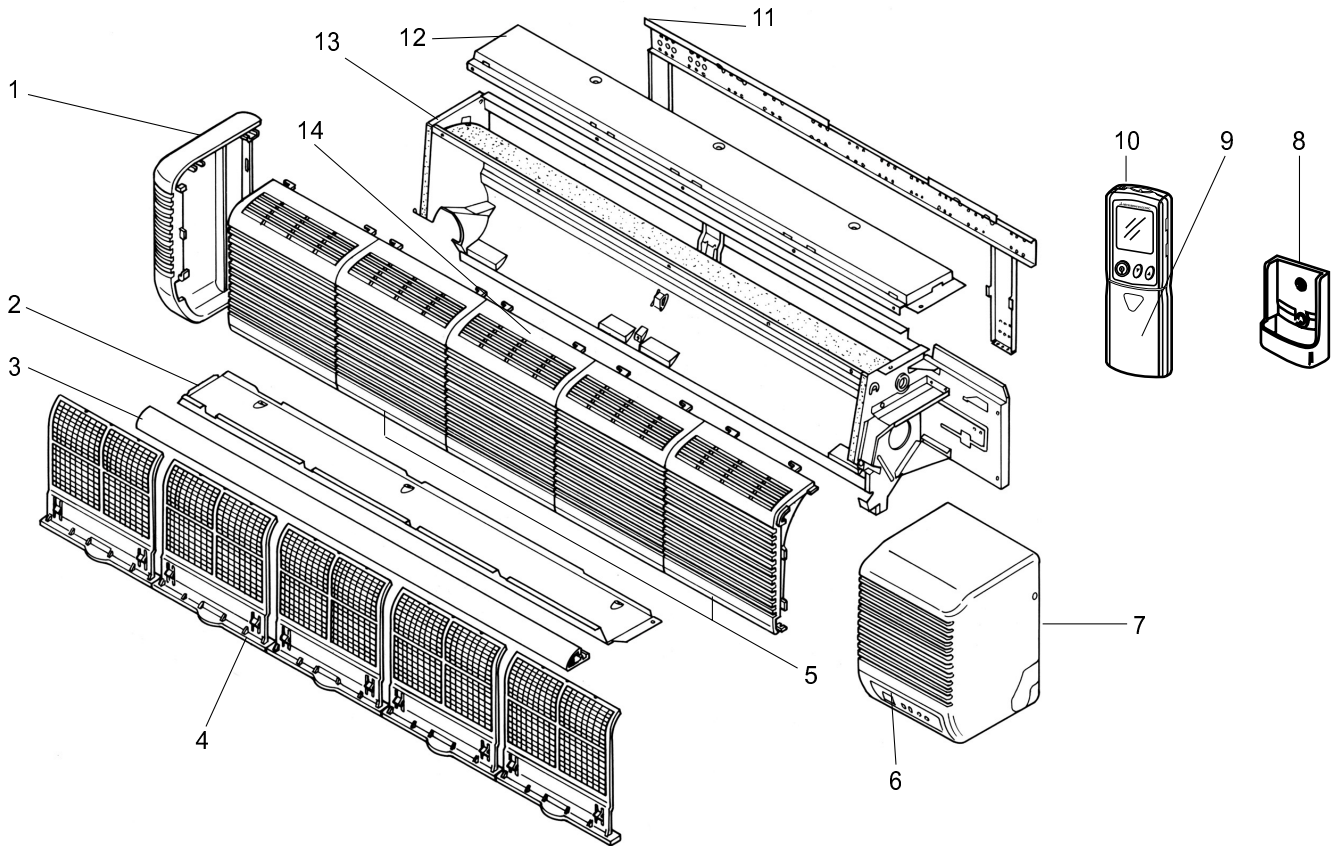


Part number that is circled is not shown in the figure.

No.	RoHS	Part No.	Part Name	Specifications	Q'ty/set			Remarks (Drawing No.)	Wiring Diagram Symbol	Recom- mended Q'ty
					PKA-RP		PKH-P			
					50FAL2 60FAL 71FAL	50FAL2#1 60FAL#1 71FAL#1	60FALH 71FALH			
1	G	R01 14G 662	LEFT SIDE PANEL		1	1	1			
2	G	R01 E02 812	UNDER PLATE		1	1	1			
3	G	R01 E00 811	NOSE		1	1	1			
4	G	R01 A17 500	AIR FILTER		4	4	4			
5	G	R01 17G 691	INTAKE GRILLE		2	2	2			
6	G	R01 E18 658	RECEIVER		1	1	1		RU	
7	G	T7W E18 661	RIGHT SIDE PANEL		1	1	1			
8	G	R01 E00 075	WIRELESS REMOTE CONTROLLER HOLDER		1	1	1			
9	G	R01 E03 049	WIRELESS REMOTE CONTROLLER DOOR		1	1	1			
10	G	T7W E10 714	WIRELESS REMOTE CONTROLLER		1	1	1			
11	G	R01 E03 808	BACK PLATE		1	1	1			
12	G	R01 E19 641	TOP PLATE		1	1	1			
13	G	—	BOX ASSEMBLY		1	1		(RG00A734GP5)		
	G	—	BOX ASSEMBLY				1	(RG00A734GP7)		
14	G	R01 E02 523	DRAIN SOCKET		1	1	1			

STRUCTURAL PARTS

PKA-RP100FAL PKA-RP100FAL#1 PKH-P100FALH



Part number that is circled is not shown in the figure.

No.	RoHS	Part No.	Part Name	Specifications	Q'ty/set			Remarks (Drawing No.)	Wiring Diagram Symbol	Recom- mended Q'ty
					PKA-RP		PKH-P			
					100FAL	100FAL#1	100FALH			
1	G	R01 14G 662	LEFT SIDE PANEL		1	1	1			
2	G	R01 E03 812	UNDER PLATE		1	1	1			
3	G	R01 E01 811	NOSE		1	1	1			
4	G	R01 A17 500	AIR FILTER		5	5	5			
5	G	R01 17G 691	INTAKE GRILLE		2	2	2			
6	G	R01 E18 658	RECEIVER		1	1	1		RU	
7	G	T7W E18 661	RIGHT SIDE PANEL		1	1	1			
8	G	R01 E00 075	WIRELESS REMOTE CONTROLLER HOLDER		1	1	1			
9	G	R01 E03 049	WIRELESS REMOTE CONTROLLER DOOR		1	1	1			
10	G	T7W E10 714	WIRELESS REMOTE CONTROLLER		1	1	1			
11	G	R01 E04 808	BACK PLATE		1	1	1			
12	G	R01 E20 641	TOP PLATE		1	1	1			
13	G	—	BOX ASSEMBLY		1	1		(RG00A734GP6)		
	G	—	BOX ASSEMBLY				1	(RG00A734GP8)		
14	G	R01 18G 692	INTAKE GRILLE		1	1	1			
⑮	G	R01 E02 523	DRAIN SOCKET		1	1	1			

Mr. SLIM™

 **MITSUBISHI ELECTRIC CORPORATION**

HEAD OFFICE : TOKYO BLDG., 2-7-3, MARUNOUCHI, CHIYODA-KU, TOKYO 100-8310, JAPAN

©Copyright 2005 MITSUBISHI ELECTRIC ENGINEERING CO., LTD.
Distributed in May 2008 No.OC331 REVISED EDITION-B PDF 7
Distributed in Jun. 2006 No.OC331 REVISED EDITION-A PDF 8
Distributed in May 2005 No.OC331 PDF 9
Made in Japan.

New publication, effective May 2008.
Specifications subject to change without notice.