

# SERVICE MANUAL

## Series PCA Ceiling Suspended R407C/R410A

Indoor unit  
[Model names]

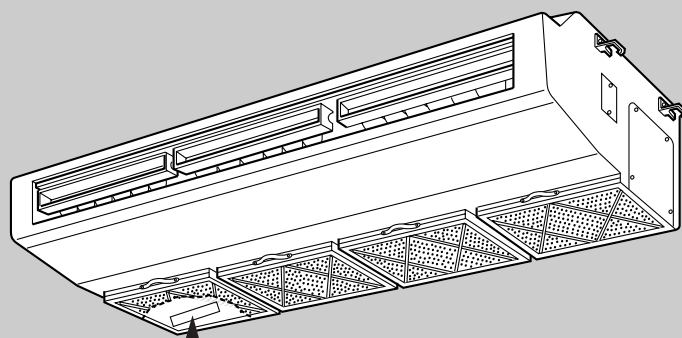
PCA-RP71HA

PCA-RP125HA

[Service Ref.]

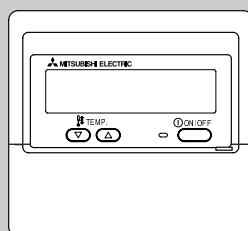
**PCA-RP71HA**  
**PCA-RP125HA**

• This manual describes only service data of the indoor units.



INDOOR UNIT

Model name  
indication

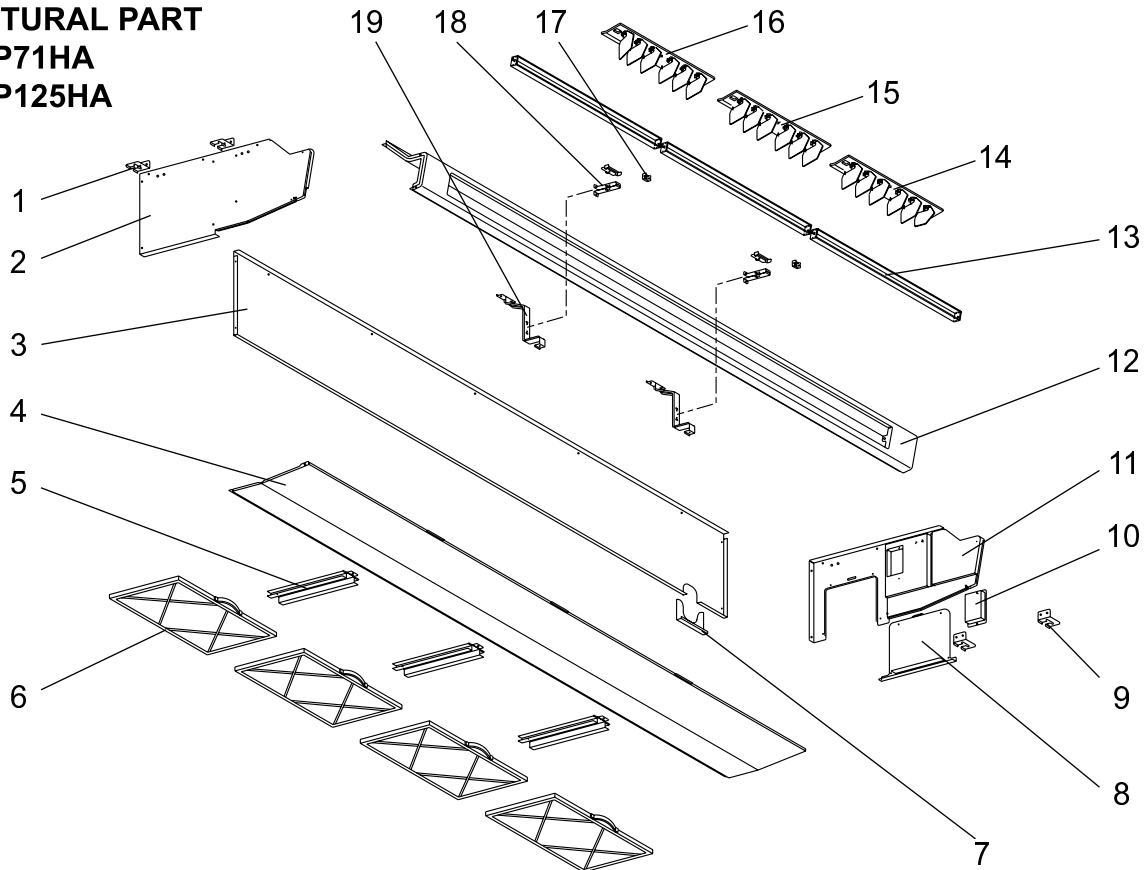


REMOTE CONTROLLER

### CONTENTS

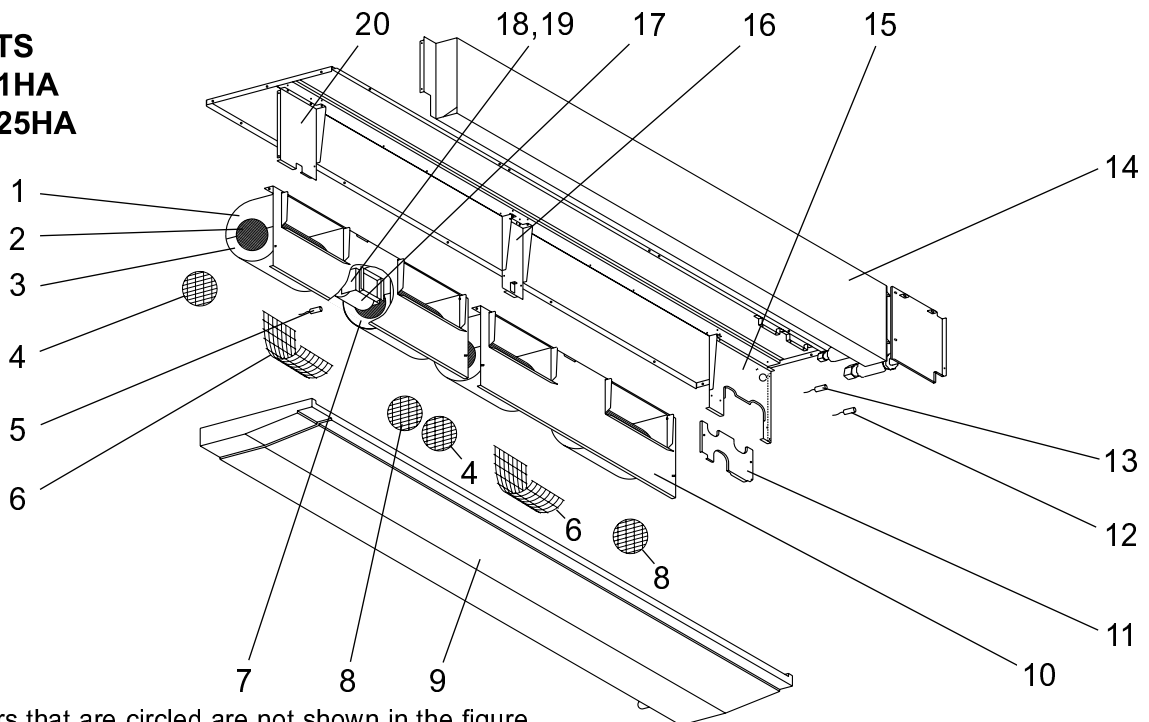
1. REFERENCE MANUAL .....	2
2. SAFETY PRECAUTION .....	3
3. PART NAMES AND FUNCTIONS .....	7
4. SPECIFICATIONS .....	9
5. NOISE CRITERION CURVES .....	10
6. OUTLINES AND DIMENSIONS .....	11
7. WIRING DIAGRAM .....	13
8. REFRIGERANT SYSTEM DIAGRAM .....	14
9. TROUBLESHOOTING .....	15
10. DISASSEMBLY PROCEDURE .....	26
11. PARTS LIST .....	30

STRUCTURAL PART  
PCA-RP71HA  
PCA-RP125HA



No.	Parts No.	Parts Name	Specifications	Q'ty / set		Remarks (Drawing No.)	Wiring Diagram Symbol	Recom- mended Q'ty	Price	
				PCA-RP					Unit	Amount
				71HA	125HA					
1	R01 13N 809	LEG-L		2	2					
2	R01 13N 662	SIDE PLATE-L		1	1					
3	T7W E02 676	REAR PANEL		1						
	T7W E03 676	REAR PANEL			1					
4	R01 12N 669	UNDER PANEL		1						
	R01 13N 669	UNDER PANEL			1					
5	R01 13N 503	FILTER RAIL		2	3					
6	R01 E05 500	OIL FILTER		3	4					
7	—	DRAIN HOSE SUPPORT		1	1	(BG00K145G02)				
8	R01 13N 667	SIDE COVER		1	1					
9	R01 13N 808	LEG-R		2	2					
10	R01 13N 668	SERVICE PANEL		1	1					
11	R01 13N 661	SIDE PLATE-R		1	1					
12	T7W E02 651	FRONT PANEL		1						
	T7W E03 651	FRONT PANEL			1					
13	R01 12N 002	VANE ASSY		2						
	R01 13N 002	VANE ASSY			3					
14	R01 13N 086	GUIDE VANE ASSY-6L		1	1					
15	R01 13N 087	GUIDE VANE ASSY-6C			1					
16	R01 13N 085	GUIDE VANE ASSY-6R		1	1					
17	R01 13N 533	VANE HOLDER		1	2					
18	—	VANE SUPPORT		1	2	(BG00K146G02)				
19	—	FRONT SUPPORT		1	2	(BG00T773G01)				

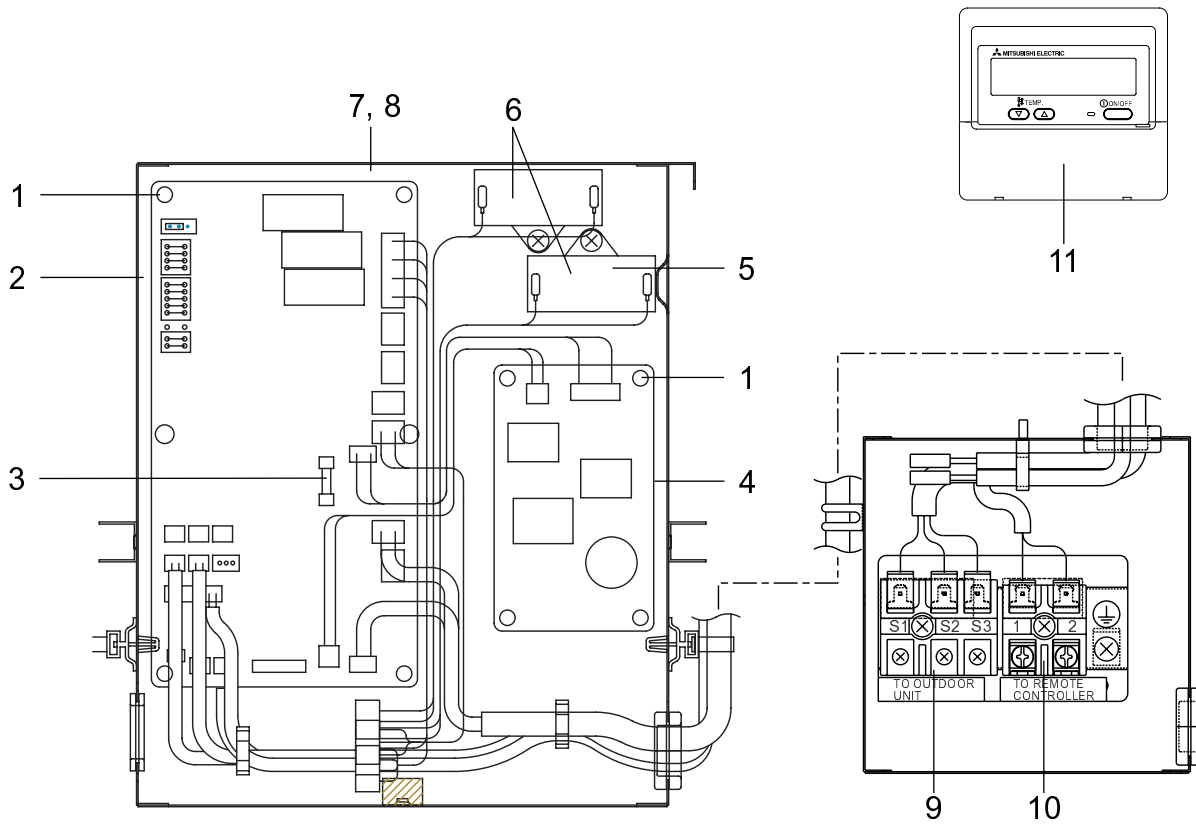
**FAN PARTS  
PCA-RP71HA  
PCA-RP125HA**



Part numbers that are circled are not shown in the figure.

No.	Parts No.	Parts Name	Specifications	Q'ty / set		Remarks (Drawing No.)	Wiring Diagram Symbol	Recom- mended Q'ty	Price	
				PCA-RP					Unit	Amount
				71HA	125HA					
1	R01 12N 110	T. CASING ASSY		2						
	R01 13N 110	T. CASING ASSY			4					
2	R01 12N 114	SIROCO FAN		2						
	R01 13N 114	SIROCO FAN			4					
3	T7W E02 111	UNDER CASING-L		1						
	T7W E03 111	UNDER CASING-L			2					
4	T7W E12 675	FAN GUARD-S		1	2					
5	R01 E51 202	ROOM TEMPERATUR TERMISTOR		1	1		TH1			
6	T7W E14 675	FAN GUARD-L		1						
	T7W E13 675	FAN GUARD-L			2					
7	T7W E00 111	UNDER CASING-R		1						
	T7W E01 111	UNDER CASING-R			2					
8	T7W E11 675	FAN GUARD-S		1	2					
9	R01 12N 529	DRAINPAN ASSY		1						
	R01 13N 529	DRAINPAN ASSY			1					
10	—	FAN PLATE		1		(BG00N756G15)				
	—	FAN PLATE			2	(BG00N756G14)				
11	—	PIPE SUPPORT		1	1	(BG02T500H04)				
12	R01 13N 202	PIPE TEMPERATURE TERMISTOR		1	1		TH2			
13	R01 E63 202	CONDENSER/EVAPORATOR TEMPERATURE TERMISTOR		1	1		TH5			
14	R01 H04 480	HEAT EXCHANGER		1						
	T7W K07 480	HEAT EXCHANGER			1					
15	—	FAN PLATE SUPPORT-R		1	1	(BG00N893G15)				
16	—	FAN PLATE SUPPORT-C		1	1	(BG00N893G14)				
17	T7W E20 762	FAN MOTOR	PA6V40-CB	1			MF1			
	T7W E21 762	FAN MOTOR	PA4V80-CA		2		MF1,2			
18	R01 45K 130	MOTOR LEG		1	2					
19	R01 83E 126	PIECE FOR MOTOR		1	2					
20	—	FAN PLATE SUPPORT-L		1	1	(BG00N893G13)				
21	R01 13N 521	PIPE COVER		1	1					
22	R01 13N 072	DRAIN HOSE COVER		1	1					
23	R01 811 105	RUBBER MOUNT		2	4					

**ELECTRICAL PARTS**  
**PCA-RP71HA**  
**PCA-RP125HA**



No.	Parts No.	Parts Name	Specifications	Q'ty / set		Remarks (Drawing No.)	Wiring Diagram Symbol	Recom- mended Q'ty	Price	
				PCA-RP					Unit	Amount
				71HA	125HA					
1	R01 18J 054	SUPPORT		9	9					
2	T7W E41 310	CONTROLLER BOARD		1	1		I.B			
3	R01 E02 239	FUSE	250V 6.3A	1	1		FUSE			
4	R01 E02 313	POWER BOARD		1	1		P.B			
5	R01 A00 255	RUN CAPACITOR	2.5 $\mu$ F, 440V	1			C1			
6	R01 576 255	RUN CAPACITOR	3 $\mu$ F, 440V		2		C1,C2			
7	—	CONTROL BOX COVER		1	1	(BG02N713H05)				
8	—	CONTROL BOX		1	1	(BG00T759G13)				
9	T7W E23 716	TERMINAL BLOCK	3P(S1, S2, S3)	1	1		TB4			
10	R01 556 246	TERMINAL BLOCK	2P(1, 2)	1	1		TB5			
11	T7W E08 713	REMOTE CONTROLLER	PAR-21MAA	1	1		R.B			

**MITSUBISHI ELECTRIC CORPORATION**  
 HEAD OFFICE : MITSUBISHI DENKI BLDG., 2-2-3, MARUNOUCHI, CHIYODA-KU, TOKYO 100-8310, JAPAN