

SERVICE MANUAL

Series PCA Ceiling Suspended R407C/R410A

Indoor unit
[Model names]

PCA-RP71HA

PCA-RP125HA

[Service Ref.]

PCA-RP71HA
PCA-RP125HA

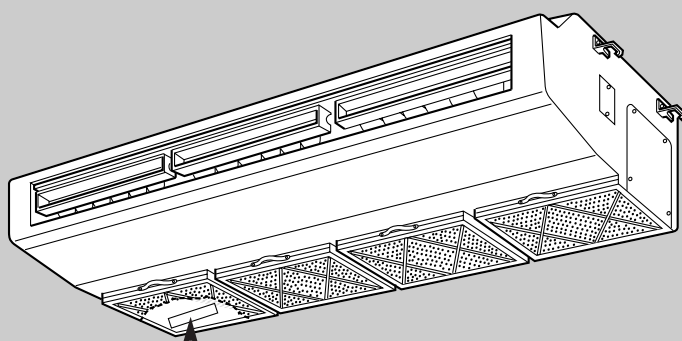
Revision:

- RoHS PARTS LIST is added.
- Some descriptions have been modified.

- Please void OC329.

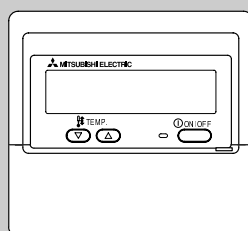
Note:

- This manual describes only service data of the indoor units.
- RoHS compliant products have <G> mark on the spec name plate.
- For servicing of RoHS compliant products, refer to the RoHS Parts List.



INDOOR UNIT

Model name indication

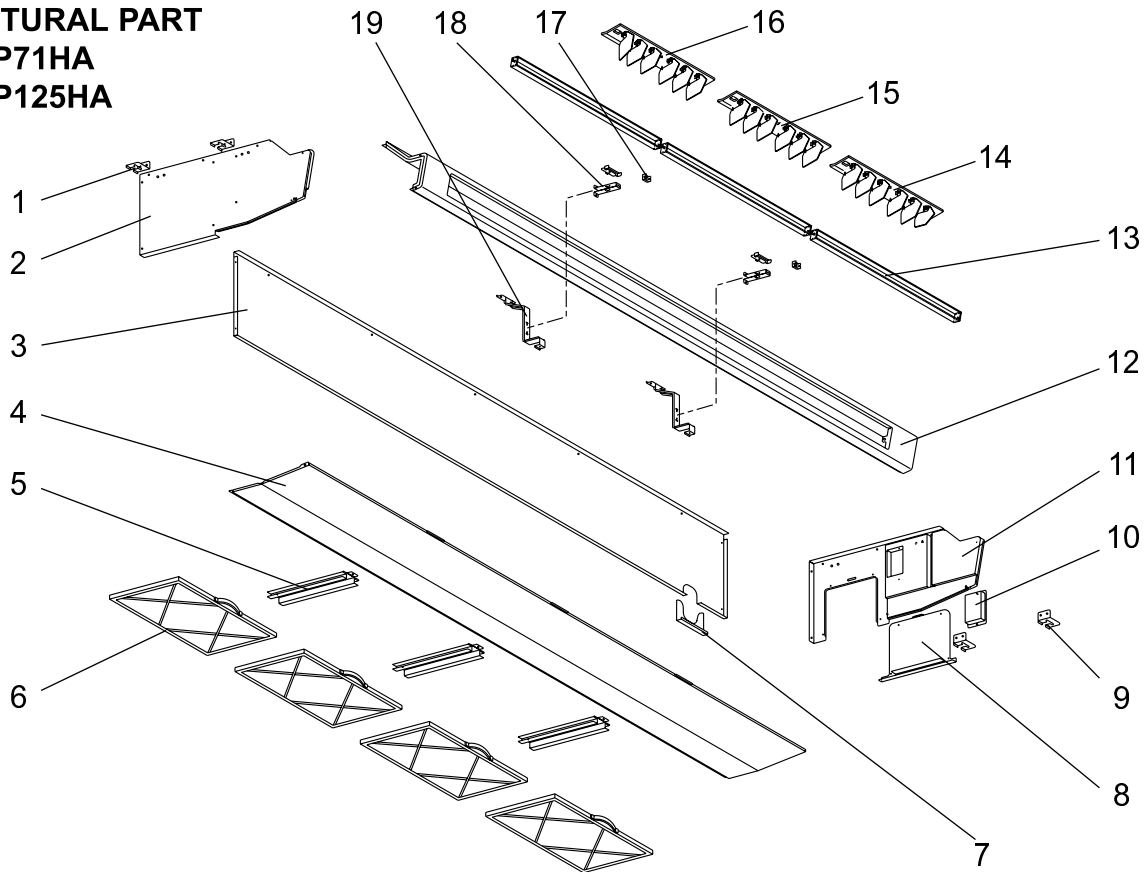


REMOTE CONTROLLER

CONTENTS

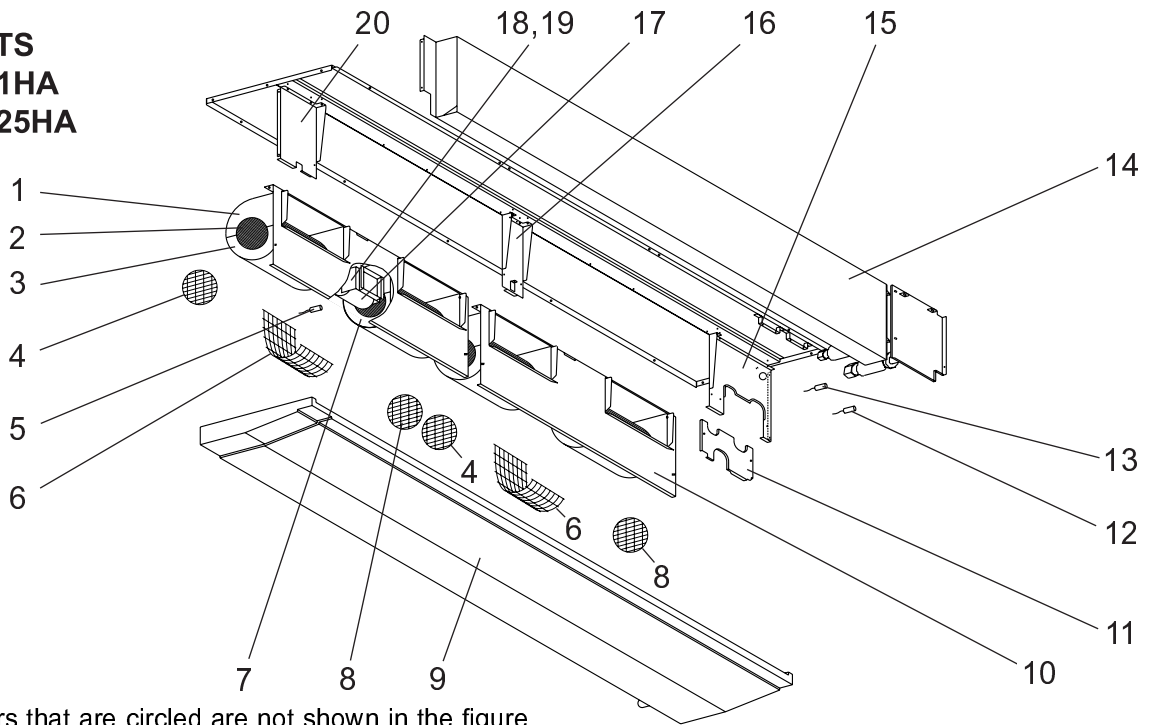
1. REFERENCE MANUAL	2
2. SAFETY PRECAUTION	3
3. PART NAMES AND FUNCTIONS	7
4. SPECIFICATIONS	9
5. NOISE CRITERION CURVES	10
6. OUTLINES AND DIMENSIONS	11
7. WIRING DIAGRAM	13
8. REFRIGERANT SYSTEM DIAGRAM	14
9. TROUBLESHOOTING	15
10. DISASSEMBLY PROCEDURE	26
11. PARTS LIST	30
12. RoHS PARTS LIST	33

STRUCTURAL PART
PCA-RP71HA
PCA-RP125HA



No.	Parts No.	Parts Name	Specifications	Q'ty / set		Remarks (Drawing No.)	Wiring Diagram Symbol	Recom- mended Q'ty	Price	
				PCA-RP					Unit	Amount
				71HA	125HA					
1	R01 13N 809	LEG-L		2	2					
2	R01 13N 662	SIDE PLATE-L		1	1					
3	T7W E02 676	REAR PANEL		1						
	T7W E03 676	REAR PANEL			1					
4	R01 12N 669	UNDER PANEL		1						
	R01 13N 669	UNDER PANEL			1					
5	R01 13N 503	FILTER RAIL		2	3					
6	R01 E05 500	OIL FILTER		3	4					
7	—	DRAIN HOSE SUPPORT		1	1	(BG00K145G02)				
8	R01 13N 667	SIDE COVER		1	1					
9	R01 13N 808	LEG-R		2	2					
10	R01 13N 668	SERVICE PANEL		1	1					
11	R01 13N 661	SIDE PLATE-R		1	1					
12	T7W E02 651	FRONT PANEL		1						
	T7W E03 651	FRONT PANEL			1					
13	R01 12N 002	VANE ASSY		2						
	R01 13N 002	VANE ASSY			3					
14	R01 13N 086	GUIDE VANE ASSY-6L		1	1					
15	R01 13N 087	GUIDE VANE ASSY-6C			1					
16	R01 13N 085	GUIDE VANE ASSY-6R		1	1					
17	R01 13N 533	VANE HOLDER		1	2					
18	—	VANE SUPPORT		1	2	(BG00K146G02)				
19	—	FRONT SUPPORT		1	2	(BG00T773G01)				

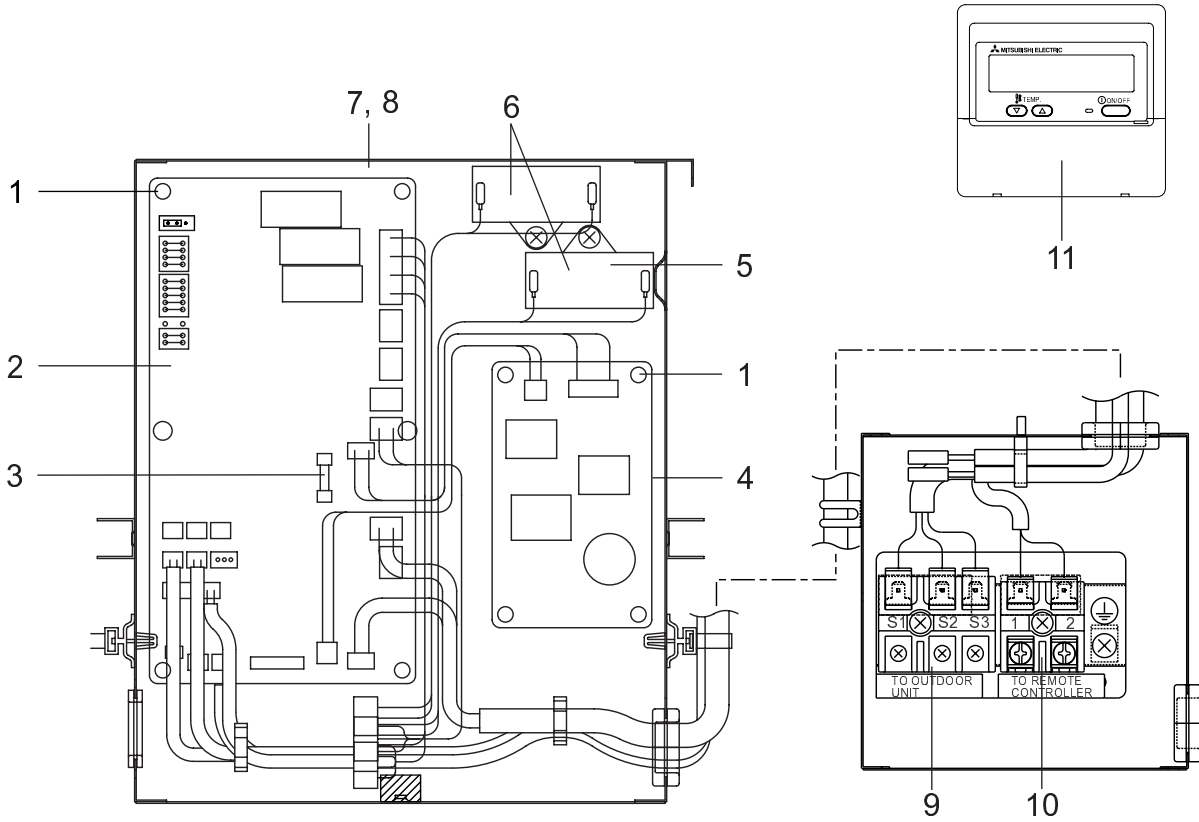
FAN PARTS
PCA-RP71HA
PCA-RP125HA



Part numbers that are circled are not shown in the figure.

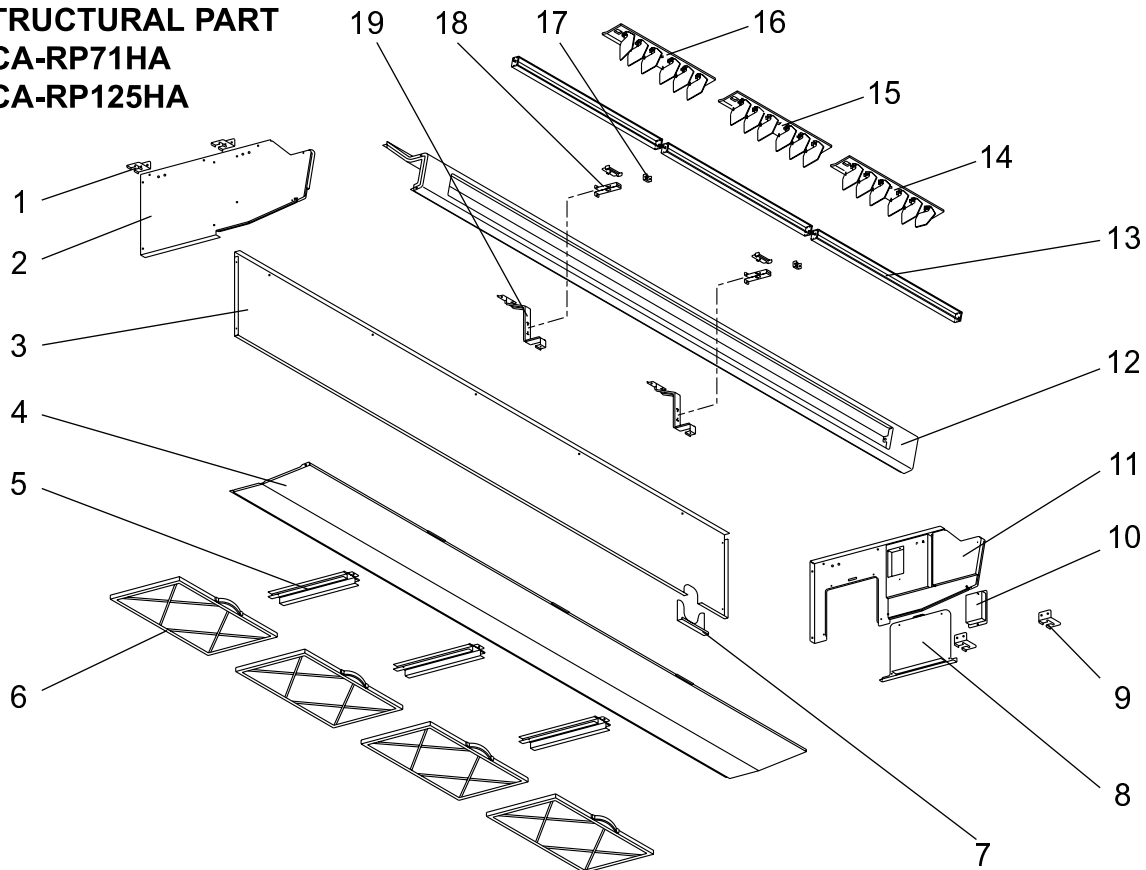
No.	Parts No.	Parts Name	Specifications	Q'ty / set		Remarks (Drawing No.)	Wiring Diagram Symbol	Recom- mended Q'ty	Price	
				PCA-RP					Unit	Amount
				71HA	125HA					
1	R01 12N 110	T. CASING ASSY		2						
	R01 13N 110	T. CASING ASSY			4					
2	R01 12N 114	SIROCO FAN		2						
	R01 13N 114	SIROCO FAN			4					
3	T7W E02 111	UNDER CASING-L		1						
	T7W E03 111	UNDER CASING-L			2					
4	T7W E12 675	FAN GUARD-S		1	2					
5	R01 E51 202	ROOM TEMPERATUR TERMISTOR		1	1		TH1			
6	T7W E14 675	FAN GUARD-L		1						
	T7W E13 675	FAN GUARD-L			2					
7	T7W E00 111	UNDER CASING-R		1						
	T7W E01 111	UNDER CASING-R			2					
8	T7W E11 675	FAN GUARD-S		1	2					
9	R01 12N 529	DRAINPAN ASSY		1						
	R01 13N 529	DRAINPAN ASSY			1					
10	—	FAN PLATE		1		(BG00N756G15)				
	—	FAN PLATE			2	(BG00N756G14)				
11	—	PIPE SUPPORT		1	1	(BG02T500H04)				
12	R01 13N 202	PIPE TEMPERATURE TERMISTOR		1	1		TH2			
13	R01 E63 202	CONDENSER / EVAPORATOR TEMPERATURE TERMISTOR		1	1		TH5			
14	R01 H04 480	HEAT EXCHANGER		1						
	T7W K07 480	HEAT EXCHANGER			1					
15	—	FAN PLATE SUPPORT-R		1	1	(BG00N893G15)				
16	—	FAN PLATE SUPPORT-C		1	1	(BG00N893G14)				
17	T7W E20 762	FAN MOTOR	PA6V40-CB	1			MF1			
	T7W E21 762	FAN MOTOR	PA4V80-CA		2		MF1,2			
18	R01 45K 130	MOTOR LEG		1	2					
19	R01 83E 126	PIECE FOR MOTOR		1	2					
20	—	FAN PLATE SUPPORT-L		1	1	(BG00N893G13)				
21	R01 13N 521	PIPE COVER		1	1					
22	R01 13N 072	DRAIN HOSE COVER		1	1					
23	R01 811 105	RUBBER MOUNT		2	4					

ELECTRICAL PARTS
PCA-RP71HA
PCA-RP125HA



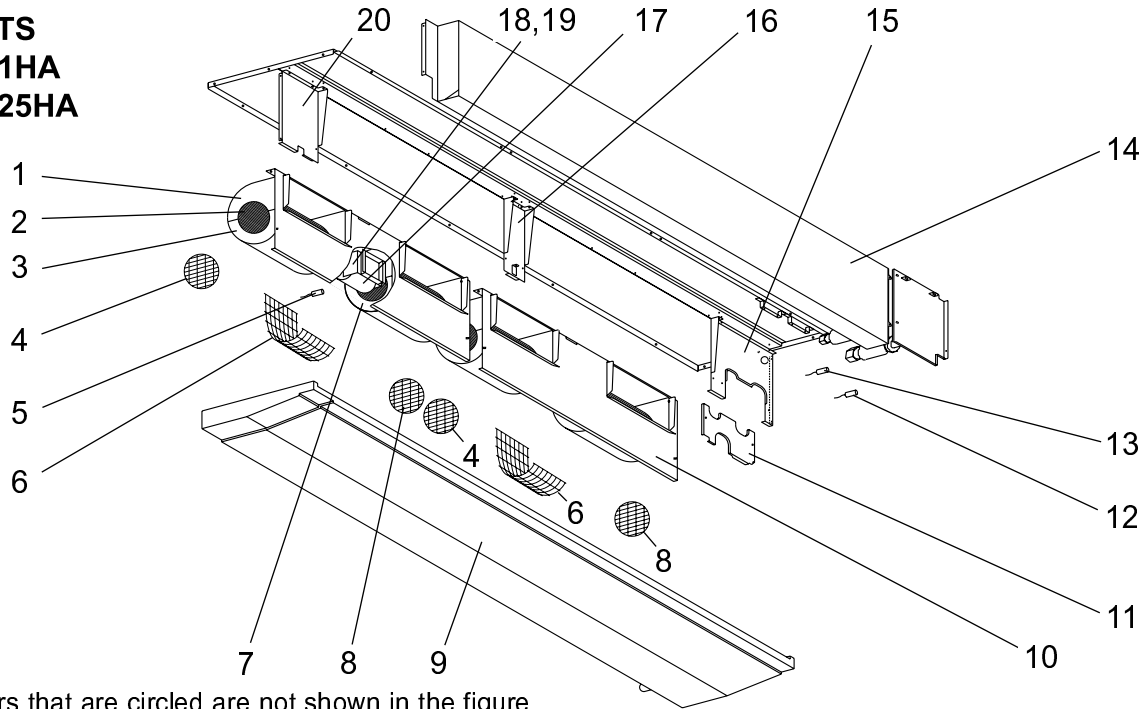
No.	Parts No.	Parts Name	Specifications	Q'ty / set		Remarks (Drawing No.)	Wiring Diagram Symbol	Recom- mended Q'ty	Price	
				PCA-RP					Unit	Amount
				71HA	125HA					
1	R01 18J 054	SUPPORT		9	9					
2	T7W E41 310	CONTROLLER BOARD		1	1		I.B			
3	R01 E02 239	FUSE	250V 6.3A	1	1		FUSE			
4	R01 E02 313	POWER BOARD		1	1		P.B			
5	R01 A00 255	RUN CAPACITOR	2.5 μ F, 440V	1			C1			
6	R01 576 255	RUN CAPACITOR	3 μ F, 440V		2		C1,C2			
7	—	CONTROL BOX COVER		1	1	(BG02N713H05)				
8	—	CONTROL BOX		1	1	(BG00T759G13)				
9	T7W E23 716	TERMINAL BLOCK	3P(S1, S2, S3)	1	1		TB4			
10	R01 556 246	TERMINAL BLOCK	2P(1, 2)	1	1		TB5			
11	T7W E08 713	REMOTE CONTROLLER	PAR-21MAA	1	1		R.B			

STRUCTURAL PART
PCA-RP71HA
PCA-RP125HA



No.	RoHS	Parts No.	Parts Name	Specifications	Q'ty / set		Remarks (Drawing No.)	Wiring Diagram Symbol	Recom- mended Q'ty	Price	
					PCA-RP					Unit	Amount
					71HA	125HA					
1	G	R01 14N 809	LEG-L		2	2					
2	G	R01 14N 662	SIDE PLATE-L		1	1					
3	G	T7W 14N 676	REAR PANEL		1						
	G	T7W 15N 676	REAR PANEL			1					
4	G	R01 14N 669	UNDER PANEL		1						
	G	R01 15N 669	UNDER PANEL			1					
5	G	R01 14N 503	FILTER RAIL		2	3					
6	G	R01 14N 500	OIL FILTER		3	4					
7	G	—	DRAIN HOSE SUPPORT		1	1	(BG00K145G02)				
8	G	R01 14N 667	SIDE COVER		1	1					
9	G	R01 14N 808	LEG-R		2	2					
10	G	R01 14N 668	SERVICE PANEL		1	1					
11	G	R01 14N 661	SIDE PLATE-R		1	1					
12	G	T7W 14N 651	FRONT PANEL		1						
	G	T7W 15N 651	FRONT PANEL			1					
13	G	R01 15N 002	VANE ASSY		2						
	G	R01 16N 002	VANE ASSY			3					
14	G	R01 14N 086	GUIDE VANE ASSY-6L		1	1					
15	G	R01 14N 087	GUIDE VANE ASSY-6C			1					
16	G	R01 14N 085	GUIDE VANE ASSY-6R		1	1					
17	G	R01 14N 533	VANE HOLDER		1	2					
18	G	—	VANE SUPPORT		1	2	(BG00K146G02)				
19	G	—	FRONT SUPPORT		1	2	(BG00T773G01)				

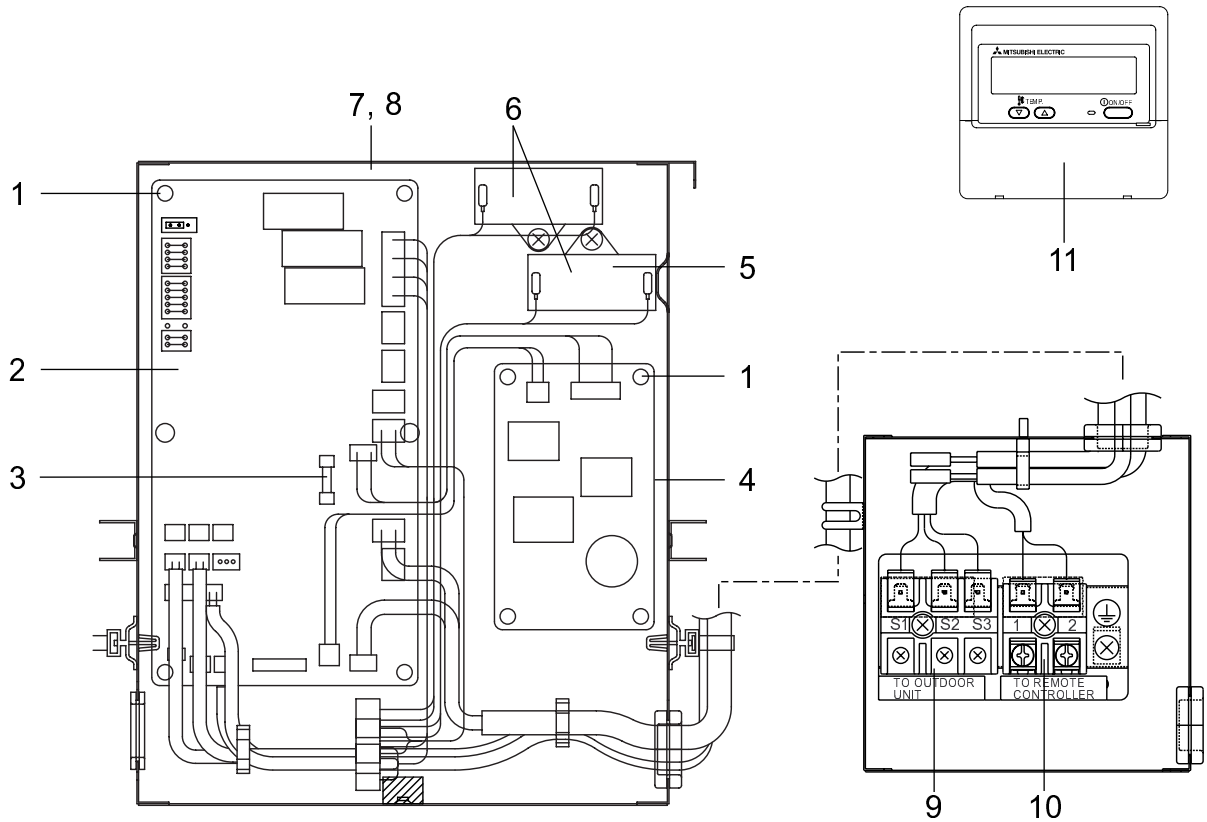
FAN PARTS
PCA-RP71HA
PCA-RP125HA



Part numbers that are circled are not shown in the figure.

No.	RoHS	Parts No.	Parts Name	Specifications	Q'ty / set		Remarks (Drawing No.)	Wiring Diagram Symbol	Recom- mended Q'ty	Price	
					PCA-RP 71HA	125HA				Unit	Amount
1	G	R01 14N 110	T. CASING ASSY		2						
	G	R01 15N 110	T. CASING ASSY			4					
2	G	R01 14N 114	SIROCO FAN		2						
	G	R01 15N 114	SIROCO FAN			4					
3	G	T7W 16N 111	UNDER CASING-L		1						
	G	T7W 17N 111	UNDER CASING-L			2					
4	G	T7W 18N 675	FAN GUARD-S(L)		1	2					
5	G	R01 15N 202	ROOM TEMPERATUR TERMISTOR		1	1		TH1			
6	G	T7W 15N 675	FAN GUARD-L		1						
	G	T7W 16N 675	FAN GUARD-L			2					
7	G	T7W 14N 111	UNDER CASING-R		1						
	G	T7W 15N 111	UNDER CASING-R			2					
8	G	T7W 17N 675	FAN GUARD-S(R)		1	2					
9	G	R01 15N 529	DRAINPAN ASSY		1						
	G	R01 16N 529	DRAINPAN ASSY			1					
10	G	—	FAN PLATE		1		(BG00N756G15)				
	G	—	FAN PLATE			2	(BG00N756G14)				
11	G	—	PIPE SUPPORT		1	1	(BG02T500H04)				
12	G	R01 16N 202	PIPE TEMPERATURE TERMISTOR		1	1		TH2			
13	G	R01 17N 202	CONDENSER/ EVAPORATOR TEMPERATURE TERMISTOR		1	1		TH5			
14	G	R01 J68 480	HEAT EXCHANGER		1						
	G	T7W H55 480	HEAT EXCHANGER			1					
15	G	—	FAN PLATE SUPPORT-R		1	1	(BG00N893G15)				
16	G	—	FAN PLATE SUPPORT-C		1	1	(BG00N893G14)				
17	G	T7W 14N 762	FAN MOTOR	PA6V40-CB	1			MF1			
	G	T7W 15N 762	FAN MOTOR	PA4V80-CA		2		MF1,2			
18	G	R01 14N 130	MOTOR LEG		1	2					
19	G	R01 14N 126	PIECE FOR MOTOR		1	2					
20	G	—	FAN PLATE SUPPORT-L		1	1	(BG00N893G13)				
21	G	R01 14N 521	PIPE COVER		1	1					
22	G	R01 14N 072	DRAIN HOSE COVER		1	1					
23	G	R01 14N 105	RUBBER MOUNT		2	4					

ELECTRICAL PARTS
PCA-RP71HA
PCA-RP125HA



No.	RoHS	Parts No.	Parts Name	Specifications	Q'ty / set		Remarks (Drawing No.)	Wiring Diagram Symbol	Recom- mended Q'ty	Price	
					PCA-RP					Unit	Amount
					71HA	125HA					
1	G	R01 20J 054	SUPPORT		9	9					
2	G	T7W E51 310	CONTROLLER BOARD		1	1		I.B			
3	G	R01 E06 239	FUSE	250V 6.3A	1	1		FUSE			
4	G	R01 E38 313	POWER BOARD		1	1		P.B			
5	G	R01 14N 255	RUN CAPACITOR	2.5 μ F, 440V	1			C1			
6	G	R01 E12 255	RUN CAPACITOR	3 μ F, 440V		2		C1,C2			
7	G	—	CONTROL BOX COVER		1	1	(BG02N713H05)				
8	G	—	CONTROL BOX		1	1	(BG00T759G13)				
9	G	R01 E20 246	TERMINAL BLOCK	3P(S1, S2, S3)	1	1		TB4			
10	G	R01 E21 246	TERMINAL BLOCK	2P(1, 2)	1	1		TB5			
11	G	T7W E11 713	REMOTE CONTROLLER	PAR-21MAA	1	1		R.B			

Mr. SLIM™

 **mitsubishi electric corporation**

HEAD OFFICE : TOKYO BLDG., 2-7-3, MARUNOUCHI, CHIYODA-KU, TOKYO 100-8310, JAPAN