

Air-Conditioners

PLA-RP-AA

PLH-P-AAH

INSTALLATION MANUAL

For safe and correct use, read this manual and the outdoor unit installation manual thoroughly before installing the air-conditioner unit.

FOR INSTALLER

INSTALLATIONSHANDBUCH

Aus Sicherheitsgründen und zur richtigen Anwendung vor Installation der Klimaanlage die vorliegende Bedienungsanleitung und das Installationshandbuch gründlich durchlesen.

FÜR INSTALLATEURE

MANUEL D'INSTALLATION

Avant d'installer le climatiseur, lire attentivement ce manuel, ainsi que le manuel d'installation de l'appareil extérieur pour une utilisation sûre et correcte.

POUR L'INSTALLATEUR

INSTALLATIEHANDLEIDING

Lees deze handleiding en de installatiehandleiding van het buitenapparaat zorgvuldig door voordat u met het installeren van de airconditioner begint.

VOOR DE INSTALLATEUR

MANUAL DE INSTALACIÓN

Para un uso seguro y correcto, lea detalladamente este manual de instalación antes de montar la unidad de aire acondicionado.

PARA EL INSTALADOR

MANUALE DI INSTALLAZIONE

Per un uso sicuro e corretto, prima di installare il condizionatore d'aria leggere attentamente il presente manuale ed il manuale d'installazione dell'unità esterna.

PER L'INSTALLATORE

ΕΓΧΕΙΡΙΔΙΟ ΟΔΗΓΙΩΝ ΕΓΚΑΤΑΣΤΑΣΗΣ

Για σωστή και ασφαλή χρήση, διαβάστε προσεκτικά αυτό το εγχειρίδιο, καθώς και το εγχειρίδιο εγκατάστασης της εξωτερικής μονάδας, πριν από την εγκατάσταση της μονάδας κλιματιστικού.

ΓΙΑ ΑΥΤΟΝ ΠΟΥ ΚΑΝΕΙ ΤΗΝ ΕΓΚΑΤΑΣΤΑΣΗ

MANUAL DE INSTALAÇÃO

Para uma utilização segura e correcta, leia atentamente este manual e o manual de instalação da unidade exterior antes de instalar o aparelho de ar condicionado.

PARA O INSTALADOR

INSTALLATIONSMANUAL

Læs af sikkerhedshensyn denne manual samt manualen til installation af udendørsenheden grundigt, før du installerer klimaanlægget.

TIL INSTALLATØREN

INSTALLATIONSMANUAL

Läs bruksanvisningen och utomhusenhetens installationshandbok noga innan luftkonditioneringen installeras så att den används på ett säkert och korrekt sätt.

FÖR INSTALLATÖREN

MONTAJ ELKİTABI

Emniyetli ve doğru kullanım için, klima cihazını monte etmeden önce bu kılavuzu ve dış ünite montaj kılavuzunu tamamiyla okuyun.

MONTÖR İÇİN

РУКОВОДСТВО ПО УСТАНОВКЕ

Для обеспечения безопасной и надлежащей эксплуатации внимательно прочтите данное руководство и руководство по установке наружного прибора перед установкой кондиционера.

ДЛЯ УСТАНОВИТЕЛЯ**English****Deutsch****Français****Nederlands****Español****Italiano****Ελληνικά****Português****Dansk****Svenska****Türkçe****Русский**

Contents

| | | | |
|--|---|-------------------------------------|----|
| 1. Safety precautions | 2 | 6. Electrical work | 7 |
| 2. Installation location | 3 | 7. Test run | 11 |
| 3. Installing the indoor unit | 3 | 8. System control | 14 |
| 4. Installing the refrigerant piping | 5 | 9. Installing the grille | 14 |
| 5. Drainage piping work | 6 | 10. Easy maintenance function | 16 |

1. Safety precautions

- ▶ Before installing the unit, make sure you read all the “Safety precautions”.
- ▶ Please report to your supply authority or obtain their consent before connecting this equipment to the power supply system.

⚠ Warning:
Describes precautions that must be observed to prevent danger of injury or death to the user.

⚠ Caution:
Describes precautions that must be observed to prevent damage to the unit.

- ⚠ Warning:**
- Ask a dealer or an authorized technician to install the unit.
 - For installation work, follow the instructions in the Installation Manual and use tools and pipe components specifically made for use with refrigerant specified in the outdoor unit installation manual.
 - The unit must be installed according to the instructions in order to minimize the risk of damage from earthquakes, typhoons, or strong winds. An incorrectly installed unit may fall down and cause damage or injuries.
 - The unit must be securely installed on a structure that can sustain its weight.
 - If the air conditioner is installed in a small room, measures must be taken to prevent the refrigerant concentration in the room from exceeding the safety limit in the event of refrigerant leakage. Should the refrigerant leak and cause the concentration limit to be exceeded, hazards due to lack of oxygen in the room may result.

1.1. Before installation (Environment)

- ⚠ Caution:**
- Do not use the unit in an unusual environment. If the air conditioner is installed in areas exposed to steam, volatile oil (including machine oil), or sulfuric gas, areas exposed to high salt content such as the seaside, the performance can be significantly reduced and the internal parts can be damaged.
 - Do not install the unit where combustible gases may leak, be produced, flow, or accumulate. If combustible gas accumulates around the unit, fire or explosion may result.
 - Do not keep food, plants, caged pets, artwork, or precision instruments in the direct airflow of the indoor unit or too close to the unit, as these items can be damaged by temperature changes or dripping water.

1.2. Before installation or relocation

- ⚠ Caution:**
- Be extremely careful when transporting the units. Two or more persons are needed to handle the unit, as it weighs 20 kg or more. Do not grasp the packaging bands. Wear protective gloves as you can injure your hands on the fins or other parts.
 - Be sure to safely dispose of the packaging materials. Packaging materials, such as nails and other metal or wooden parts may cause stabs or other injuries.

1.3. Before electric work

- ⚠ Caution:**
- Be sure to install circuit breakers. If not installed, electric shock may result.
 - For the power lines, use standard cables of sufficient capacity. Otherwise, a short circuit, overheating, or fire may result.
 - When installing the power lines, do not apply tension to the cables.

1.4. Before starting the test run

- ⚠ Caution:**
- Turn on the main power switch more than 12 hours before starting operation. Starting operation just after turning on the power switch can severely damage the internal parts.
 - Before starting operation, check that all panels, guards and other protective parts are correctly installed. Rotating, hot, or high voltage parts can cause injuries.

After installation work has been completed, explain the “Safety Precautions,” use, and maintenance of the unit to the customer according to the information in the Operation Manual and perform the test run to ensure normal operation. Both the Installation Manual and Operation Manual must be given to the user for keeping. These manuals must be passed on to subsequent users.

⚡ : Indicates a part which must be grounded.

⚠ Warning:
Carefully read the labels affixed to the main unit.

- Ventilate the room if refrigerant leaks during operation. If refrigerant comes into contact with a flame, poisonous gases will be released.
- All electric work must be performed by a qualified technician according to local regulations and the instructions given in this manual.
- Use only specified cables for wiring.
- The terminal block cover panel of the unit must be firmly attached.
- Use only accessories authorized by Mitsubishi Electric and ask a dealer or an authorized technician to install them.
- The user should never attempt to repair the unit or transfer it to another location.
- After installation has been completed, check for refrigerant leaks. If refrigerant leaks into the room and comes into contact with the flame of a heater or portable cooking range, poisonous gases will be released.

- When the room humidity exceeds 80% or when the drainpipe is clogged, water may drip from the indoor unit. Do not install the indoor unit where such dripping can cause damage.
- When installing the unit in a hospital or communications office, be prepared for noise and electronic interference. Inverters, home appliances, high-frequency medical equipment, and radio communications equipment can cause the air conditioner to malfunction or breakdown. The air conditioner may also affect medical equipment, disturbing medical care, and communications equipment, harming the screen display quality.

- Thermal insulation of the refrigerant pipe is necessary to prevent condensation. If the refrigerant pipe is not properly insulated, condensation will be formed.
- Place thermal insulation on the pipes to prevent condensation. If the drainpipe is installed incorrectly, water leakage and damage to the ceiling, floor, furniture, or other possessions may result.
- Do not clean the air conditioner unit with water. Electric shock may result.
- Tighten all flare nuts to specification using a torque wrench. If tightened too much, the flare nut can break after an extended period.

- Be sure to ground the unit. If the unit is not properly grounded, electric shock may result.
- Use circuit breakers (ground fault interrupter, isolating switch (+B fuse), and molded case circuit breaker) with the specified capacity. If the circuit breaker capacity is larger than the specified capacity, breakdown or fire may result.

- Do not operate the air conditioner without the air filter set in place. If the air filter is not installed, dust may accumulate and breakdown may result.
- Do not touch any switch with wet hands. Electric shock may result.
- Do not touch the refrigerant pipes with bare hands during operation.
- After stopping operation, be sure to wait at least five minutes before turning off the main power switch. Otherwise, water leakage or breakdown may result.

2. Installation location

Refer to the outdoor unit installation manual.

3. Installing the indoor unit

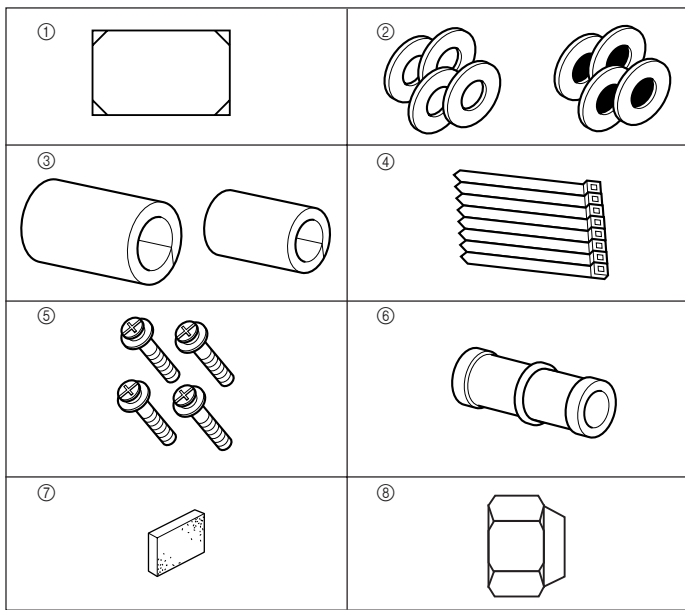


Fig. 3-1

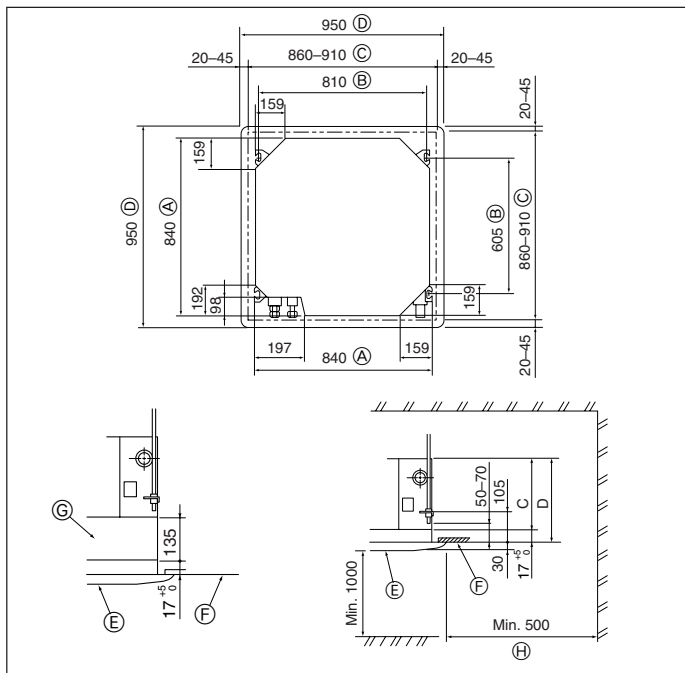


Fig. 3-2

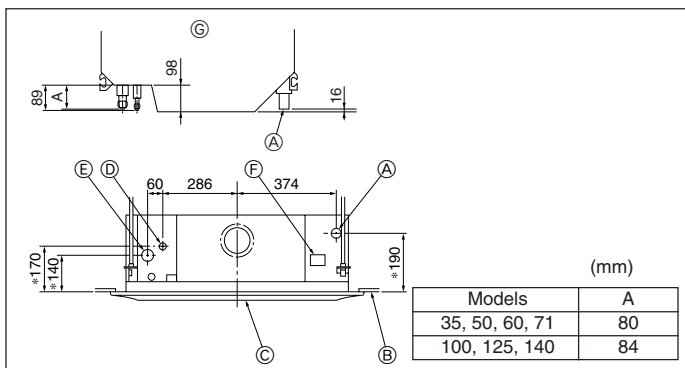


Fig. 3-3

3.1. Check the indoor unit accessories (Fig. 3-1)

The indoor unit should be supplied with the following accessories.

| Accessory name | | Q'ty | |
|----------------|---|-----------------|-------------------|
| ① | Installation template | 1 | |
| ② | Washers (with insulation) | 4 | |
| | Washers (without insulation) | 4 | |
| ③ | Pipe cover (for refrigerant piping joint) | | |
| | Small diameter | 1 | |
| | Large diameter | 1 | |
| ④ | Band | 8 | |
| ⑤ | Screw with washer (M5 × 25) for mounting grille | 4 | |
| ⑥ | Drain socket | 1 | |
| ⑦ | Insulation | 1 | |
| ⑧ | Flare nut | RP35, 50 | 2 (ø9.52, ø15.88) |
| | | RP60 | 1 (ø6.35) |
| | | RP100, 125, 140 | 1 (ø19.05) |
| | | RP71, P35-140 | 0 |

3.2. Ceiling openings and suspension bolt installation locations (Fig. 3-2)

- Using the installation template (top of the package) and the gauge (supplied as an accessory with the grille), make an opening in the ceiling so that the main unit can be installed as shown in the diagram. (The method for using the template and the gauge are shown.)

- * Before using, check the dimensions of template and gauge, because they change due to fluctuations of temperature and humidity.

- * The dimensions of ceiling opening can be regulated within the range shown in following diagram; so center the main unit against the opening of ceiling, ensuring that the respective opposite sides on all sides of the clearance between them becomes identical.

- Use M10 (3/8") suspension bolts.

- * Suspension bolts are to be procured at the field.

- Install securely, ensuring that there is no clearance between the ceiling panel & grille, and between the main unit & grille.

- Ⓐ Outer side of main unit

- Ⓑ Bolt pitch

- Ⓒ Ceiling opening

- Ⓓ Outer side of Grille

- Ⓔ Grille

- Ⓕ Ceiling

- Ⓖ Multi function casement (option)

- Ⓗ Entire periphery

- * Note that the space between ceiling panel of the unit and ceiling slab and etc must be 10 to 15 mm.

| Models | C | D |
|----------------|-----|-----|
| 35, 50, 60, 71 | 241 | 258 |
| 100, 125, 140 | 281 | 298 |

3.3. Refrigerant and drainage piping locations of indoor unit

The figure marked with * in the drawing represent the dimensions of the main unit excluding those of the optional multi function casement. (Fig. 3-3)

- Ⓐ Drain pipe
- Ⓑ Ceiling
- Ⓒ Grille
- Ⓓ Refrigerant pipe (liquid)
- Ⓔ Refrigerant pipe (gas)
- Ⓕ Water supply inlet
- Ⓖ Main unit

- When the optional multi-functional casement is installed, add 135 mm to the dimensions marked on the figure.

3. Installing the indoor unit

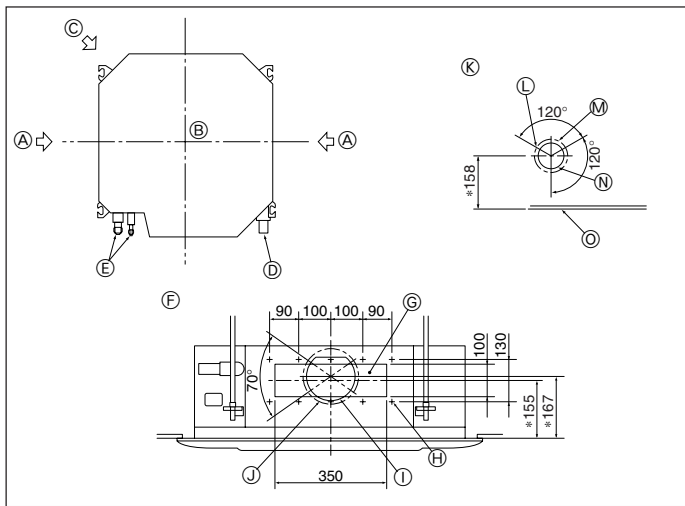


Fig. 3-4

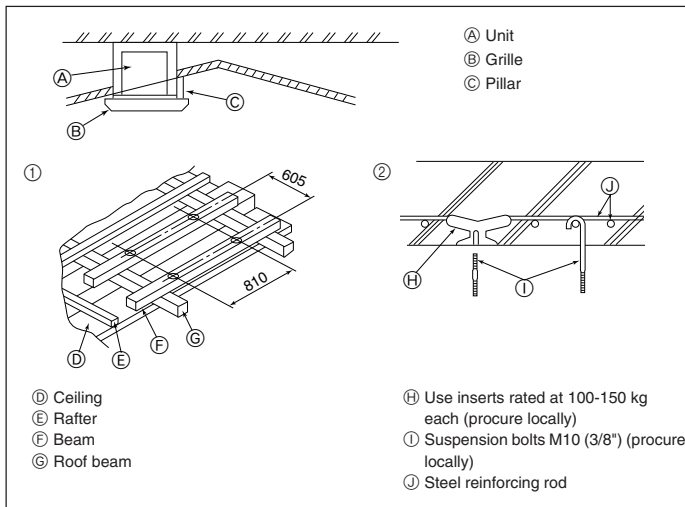


Fig. 3-5

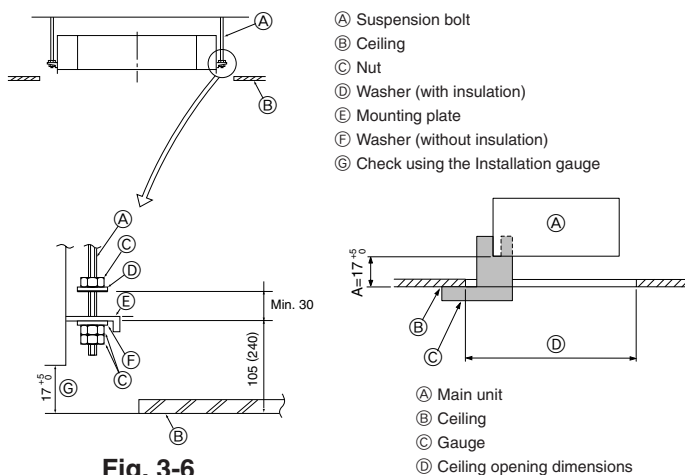


Fig. 3-6

Fig. 3-7

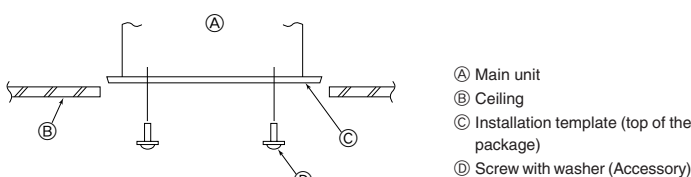


Fig. 3-8

3.4. Branch duct hole and fresh air intake hole (Fig. 3-4)

At the time of installation, use the duct holes (cut out) located at the positions shown in following diagram, as and when required.

- A fresh air intake hole for the optional multi function casement can also be made.

Note:

The figure marked with * in the drawing represent the dimensions of the main unit excluding those of the optional multi function casement.

When installing the optional multi function casement, add 135 mm to the dimensions marked on the figure.

When installing the branch ducts, be sure to insulate adequately. Otherwise condensation and dripping may occur.

- A Branch duct hole
- B Indoor unit
- C Fresh air intake hole
- D Drain pipe
- E Refrigerant pipe
- F Branch duct hole diagram (view from either side)
- G Cut out hole
- H 14-ø2.8 burring hole
- I ø150 cut out hole
- J ø175 burring hole pitch
- K Fresh air intake hole diagram
- L 3-ø2.8 burring hole
- M ø125 burring hole pitch
- N ø100 cut out hole
- O Ceiling

3.5. Suspension structure (Give site of suspension strong structure) (Fig. 3-5)

The ceiling work differs according to the construction of the building. Building constructors and interior decorators should be consulted for details.

- Extent of ceiling removal: The ceiling must be kept completely horizontal and the ceiling foundation (framework: wooden slats and slat holders) must be reinforced in order to protect the ceiling from vibration.
- Cut and remove the ceiling foundation.
- Reinforce the ends of the ceiling foundation where it has been cut and add ceiling foundation for securing the ends of the ceiling board.
- When installing the indoor unit on a slanting ceiling, attach a pillar between the ceiling and the grille and set so that the unit is installed horizontally.

① Wooden structures

- Use tie beams (single storied houses) or second floor beams (two story houses) as reinforcing members.
- Wooden beams for suspending air conditioners must be sturdy and their sides must be at least 6 cm long if the beams are separated by not more than 90 cm and their sides must be at least 9 cm long if the beams are separated by as much as 180 cm. The size of the suspension bolts should be ø10 (3/8"). (The bolts do not come with the unit.)

② Ferro-concrete structures

Secure the suspension bolts using the method shown, or use steel or wooden hangers, etc. to install the suspension bolts.

3.6. Unit suspension procedures (Fig. 3-6)

Suspend the main unit as shown in the diagram.

Figures given in parentheses represent the dimensions in case of installing optional multi function casement.

- In advance, set the parts onto the suspension bolts in the order of the washers (with insulation), washers (without insulation) and nuts (double).
 - Fit the washer with cushion so that the insulation faces downward.
 - In case of using upper washers to suspend the main unit, the lower washers (with insulation) and nuts (double) are to be set later.
- Lift the unit to the proper height of the suspension bolts to insert the mounting plate between washers and then fasten it securely.
- When the main unit can not be aligned against the mounting hole on the ceiling, it is adjustable owing to a slot provided on the mounting plate.
 - Make sure that step A is performed within 17-22 mm. Damage could result by failing to adhere to this range. (Fig. 3-7)

⚠ Caution:

Use the top half of the box as a protective cover to prevent dust or debris from getting inside the unit prior to installation of the decorative cover or when applying ceiling materials.

3.7. Confirming the position of main unit and tightening the suspension bolts (Fig. 3-8)

- Using the gauge attached to the grille, ensure that the bottom of the main unit is properly aligned with the opening of the ceiling. Be sure to confirm this, otherwise condensation may form and drip due to air leakage etc.
- Confirm that the main unit is horizontally levelled, using a level or a vinyl tube filled with water.
- After checking the position of the main unit, tighten the nuts of the suspension bolts securely to fasten the main unit.
- The installation template (top of the package) can be used as a protective sheet to prevent dust from entering the main unit when the grilles are left unattached for a while or when the ceiling materials are to be lined after installation of the unit is finished.

* As for the details of fitting, refer to the instructions given on the Installation template.

4. Installing the refrigerant piping

4.1. Precautions

4.1.1. For devices that use R407C refrigerant

- Do not use the existing refrigerant piping.
- Do not use crushed, misshapen, or discolored tubing. The inside of the tubing should be clean and free from harmful sulfuric compounds, oxidants, dirt, debris, oils and moisture.
- Store the piping to be used during installation indoors and keep both ends of the piping sealed until just before brazing.
- Use ester oil, ether oil or alkylbenzene (small amount) as the refrigerator oil to coat flares and flange connections.
- Use liquid refrigerant to fill the system.
- Do not use a refrigerant other than R407C.
- Use a vacuum pump with a reverse flow check valve.
- Do not use the tools that are used with conventional refrigerants.
- Do not use a charging cylinder.
- Be especially careful when managing the tools.
- Do not use commercially available dryers.

4.1.2. For devices that use R410A refrigerant

- Use ester oil, ether oil, alkylbenzene oil (small amount) as the refrigeration oil applied to the flared sections.
- Use C1220 copper phosphorus, for copper and copper alloy seamless pipes, to connect the refrigerant pipes. Use refrigerant pipes with the thicknesses specified in the table to the below. Make sure the insides of the pipes are clean and do not contain any harmful contaminants such as sulfuric compounds, oxidants, debris, or dust.

⚠ Warning:

When installing or moving the air conditioner, use only the specified refrigerant (R410A) to charge the refrigerant lines. Do not mix it with any other refrigerant and do not allow air to remain in the lines. Air enclosed in the lines can cause pressure peaks resulting in a rupture and other hazards.

| | RP35, 50 | RP60-140 |
|-------------|------------------------|-------------------------|
| Liquid pipe | ø6.35 thickness 0.8 mm | ø9.52 thickness 0.8 mm |
| Gas pipe | ø12.7 thickness 0.8 mm | ø15.88 thickness 1.0 mm |

- Do not use pipes thinner than those specified above.

4.2. Connecting pipes (Fig. 4-1)

- When commercially available copper pipes are used, wrap liquid and gas pipes with commercially available insulation materials (heat-resistant to 100 °C or more, thickness of 12 mm or more).
- The indoor parts of the drain pipe should be wrapped with polyethylene foam insulation materials (specific gravity of 0.03, thickness of 9 mm or more).
- Apply thin layer of refrigerant oil to pipe and joint seating surface before tightening flare nut.
- Use two wrenches to tighten piping connections.
- Use refrigerant piping insulation provided to insulate indoor unit connections. Insulate carefully.

ⓑ Flare nut tightening torque

| Copper pipe O.D. (mm) | Flare nut O.D. (mm) | Tightening torque (N·m) |
|-----------------------|---------------------|-------------------------|
| ø6.35 | 17 | 14 - 18 |
| ø6.35 | 22 | 34 - 42 |
| ø9.52 | 22 | 34 - 42 |
| ø12.7 | 26 | 49 - 61 |
| ø12.7 | 29 | 68 - 82 |
| ø15.88 | 29 | 68 - 82 |
| ø15.88 | 36 | 100 - 120 |
| ø19.05 | 36 | 100 - 120 |

ⓒ Apply refrigerating machine oil over the entire flare seat surface.

ⓓ Use correct flare nuts meeting the pipe size of the outdoor unit.

Available pipe size

| | RP35, 50 | RP60 | RP71 | RP100, 125, 140 |
|-------------|----------|----------|----------|-----------------|
| Liquid side | ø6.35 ○ | ø6.35 | — | — |
| | ø9.52 | ø9.52 ○ | ø9.52 ○ | ø9.52 ○ |
| Gas side | ø12.7 ○ | — | — | — |
| | ø15.88 | ø15.88 ○ | ø15.88 ○ | ø15.88 ○ |
| | — | — | — | ø19.05 |

| | P25 | P35, 50, 60, 71 | P100, 125, 140 |
|-------------|---------|-----------------|----------------|
| Liquid side | ø6.35 ○ | — | — |
| | — | ø9.52 ○ | ø9.52 ○ |
| Gas side | ø12.7 ○ | — | — |
| | — | ø15.88 ○ | — |
| | — | — | ø19.05 ○ |

○ : Factory flare nut attachment to the heat-exchanger.

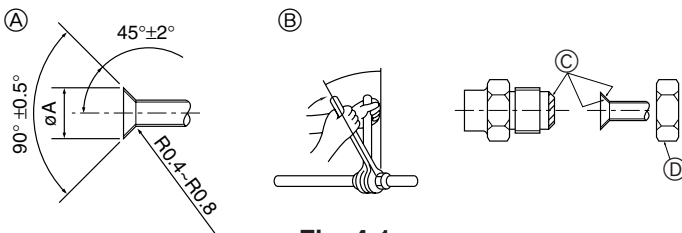


Fig. 4-1

Ⓐ Flare cutting dimensions

| Copper pipe O.D. (mm) | Flare dimensions øA dimensions (mm) |
|-----------------------|-------------------------------------|
| ø6.35 | 8.7 - 9.1 |
| ø9.52 | 12.8 - 13.2 |
| ø12.7 | 16.2 - 16.6 |
| ø15.88 | 19.3 - 19.7 |
| ø19.05 | 23.6 - 24.0 |

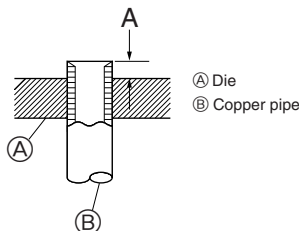


Fig. 4-2

| Copper pipe O.D. (mm) | A (mm) | |
|-----------------------|--------------------------|----------------------|
| | Flare tool for R22-R407C | Flare tool for R410A |
| | Clutch type | |
| ø6.35 (1/4") | 0 - 0.5 | 1.0 - 1.5 |
| ø9.52 (3/8") | 0 - 0.5 | 1.0 - 1.5 |
| ø12.7 (1/2") | 0 - 0.5 | 1.0 - 1.5 |
| ø15.88 (5/8") | 0 - 0.5 | 1.0 - 1.5 |
| ø19.05 (3/4") | 0 - 0.5 | 1.0 - 1.5 |

4. Installing the refrigerant piping

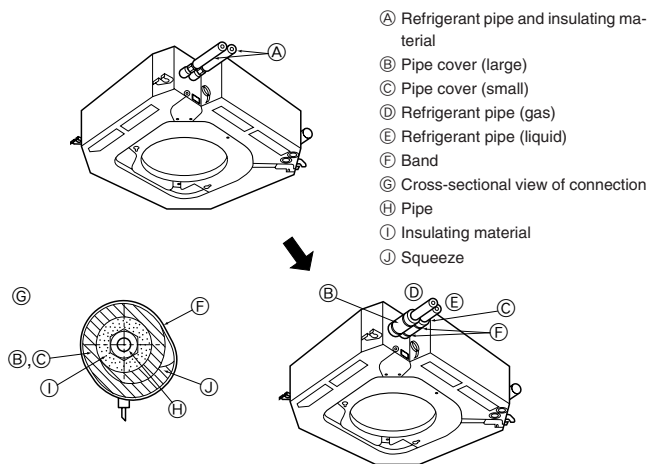


Fig. 4-3

4.3. Indoor unit (Fig. 4-3)

Heat insulation for refrigerant pipes:

- ① Wrap the enclosed large-sized pipe cover around the gas pipe, making sure that the end of the pipe cover touches the side of the unit.
 - ② Wrap the enclosed small-sized pipe cover around the liquid pipe, making sure that the end of the pipe cover touches the side of the unit.
 - ③ Secure both ends of each pipe cover with the enclosed bands. (Attach the bands 20 mm from the ends of the pipe cover.)
- After connecting the refrigerant piping to the indoor unit, be sure to test the pipe connections for gas leakage with nitrogen gas. (Check that there is no refrigerant leakage from the refrigerant piping to the indoor unit.)

4.4. For twin/triple combination

Refer to the outdoor unit installation manual.

5. Drainage piping work

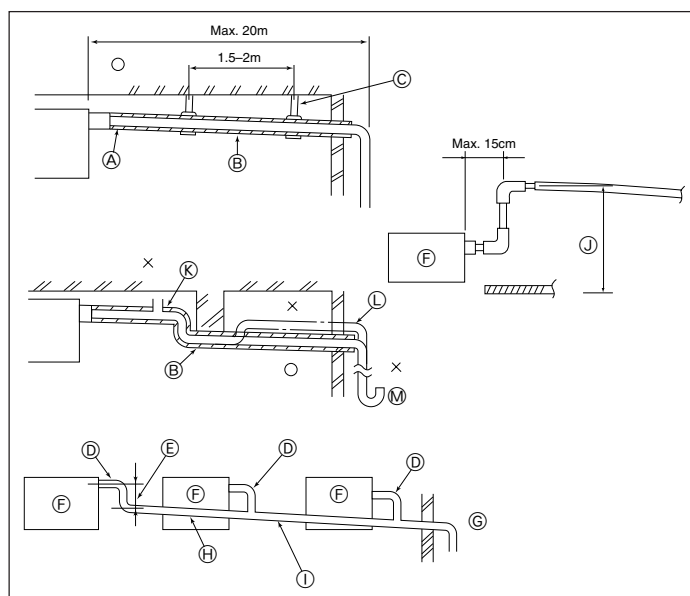


Fig. 5-1

5.1. Drainage piping work (Fig. 5-1)

- Use VP25 (O.D. ø32 PVC TUBE) for drain piping and provide 1/100 or more downward slope.
- Be sure to connect the piping joints using a polyvinyl type adhesive.
- Observe the figure for piping work.
- Use the included drain hose to change the extraction direction.

- ① Correct piping
 - ② Wrong piping
 - A) Insulation (9 mm or more)
 - B) Downward slope (1/100 or more)
 - C) Support metal
 - K) Air bleeder
 - L) Raised
 - M) Odor trap
- Grouped piping
- D) O.D. ø32 PVC TUBE
 - E) Make it as large as possible
 - F) Indoor unit
 - G) Make the piping size large for grouped piping.
 - H) Downward slope (1/100 or more)
 - I) O.D. ø38 PVC TUBE for grouped piping (9 mm or more insulation)
 - J) Up to 85 cm

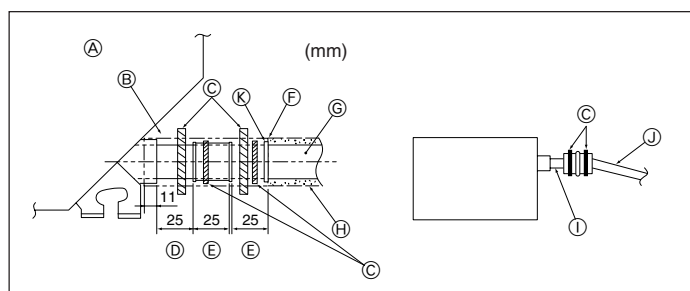


Fig. 5-2

1. Connect the drain socket (supplied with the unit) to the drain port. (Fig. 5-2) (Affix the tube using PVC adhesive then secure it with a band.)
2. Install a locally purchased drain pipe (PVC pipe, O.D. ø32). (Affix the pipe using PVC adhesive then secure it with a band.)
3. Insulate the tube and pipe. (PVC pipe, O.D. ø32 and socket)
4. Check that drain flows smoothly.
5. Insulate the drain port with insulating material, then secure the material with a band. (Both insulating material and band are supplied with the unit.)

- A) Unit
- B) Insulating material
- C) Band
- D) Drain port (transparent)
- E) Insertion margin
- F) Matching
- G) Drain pipe (O.D. ø32 PVC TUBE)
- H) Insulating material (purchased locally)
- I) Transparent PVC pipe
- J) O.D. ø32 PVC TUBE (Slope 1/100 or more)
- K) Drain socket

6. Electrical work

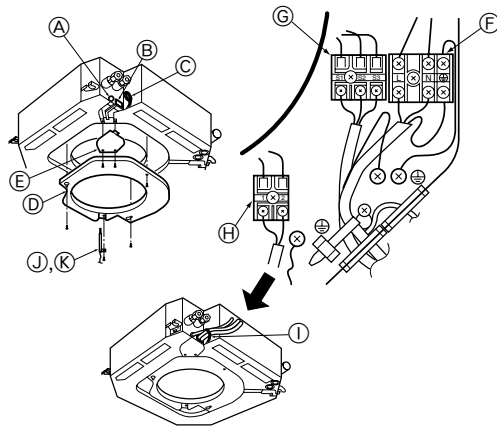


Fig. 6-1

6.1. Indoor unit (Fig. 6-1)

1. Remove the two electrical wiring service panels.
 2. Wire the power cable and control cable separately through the respective wiring entries given in the diagram.
- Do not allow slackening of the terminal screws.
 - Leave excess cable so that the electrical box can be suspended below the unit during servicing. (Approx. 50 to 100 mm)

- Ⓐ Entry for control cable
- Ⓑ Entry for power
- Ⓒ Clamp
- Ⓓ Service panel for indoor controller switch setting
- Ⓔ Service panel for electrical wiring
- Ⓕ Electric heater power supply terminals (PLH models only)
- Ⓖ Indoor / Outdoor unit connecting terminals
- Ⓗ Remote controller connector
- Ⓘ Secure with the clamp
- Ⓣ Intake sensor
- Ⓚ Holder

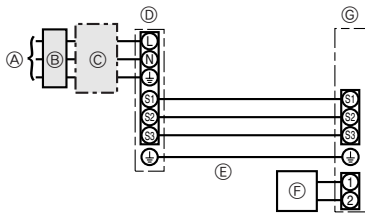
6.1.1. Indoor unit power supplied from outdoor unit

The following connection patterns are available.

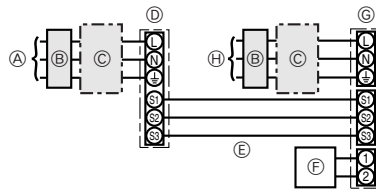
The outdoor unit power supply patterns vary on models.

1:1 System

<For models without heater>



<For models with heater>

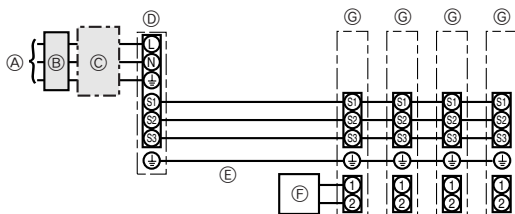


- Ⓐ Outdoor unit power supply
- Ⓑ Earth leakage breaker
- Ⓒ Wiring circuit breaker or isolating switch
- Ⓓ Outdoor unit
- Ⓔ Indoor unit/outdoor unit connecting cords
- Ⓕ Remote controller
- Ⓖ Indoor unit
- Ⓗ Heater power supply

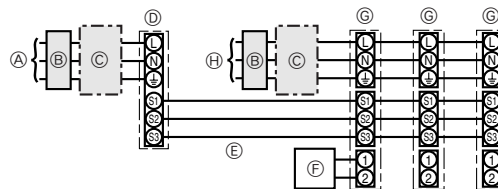
* Affix a label A that is included with the manuals near each wiring diagram for the indoor and outdoor units.

Simultaneous twin/triple/four system

<For models without heater>



<For models with heater>



- Ⓐ Outdoor unit power supply
- Ⓑ Earth leakage breaker
- Ⓒ Wiring circuit breaker or isolating switch
- Ⓓ Outdoor unit
- Ⓔ Indoor unit/outdoor unit connecting cords
- Ⓕ Remote controller
- Ⓖ Indoor unit
- Ⓗ Heater power supply

* Affix a label A that is included with the manuals near each wiring diagram for the indoor and outdoor units.

| Indoor unit model | | PLA | PLH |
|---|---|-----|---------------------------|
| Indoor unit power supply (Heater) | | - | - |
| Indoor unit input capacity (Heater) | | - | ~N (single), 50 Hz, 230 V |
| Main switch (Breaker) | | *1 | 16 A |
| Wiring Wire No. x size (mm ²) | Indoor unit power supply (Heater) | - | 2 × Min. 1.5 |
| | Indoor unit power supply (Heater) earth | - | 1 × Min. 1.5 |
| | Indoor unit-Outdoor unit | *2 | 3 × 1.5 (polar) |
| | Indoor unit-Outdoor unit earth | *2 | 1 × Min. 1.5 |
| Circuit rating | Remote controller-Indoor unit | *3 | 2 × 0.3 (Non-polar) |
| | Indoor unit (Heater) L-N | *4 | - |
| | Indoor unit-Outdoor unit S1-S2 | *4 | AC 230 V |
| | Indoor unit-Outdoor unit S2-S3 | *4 | DC24 V |
| Remote controller-Indoor unit | | *4 | DC12 V |

*1. A breaker with at least 3 mm contact separation in each pole shall be provided. Use non-fuse breaker (NF) or earth leakage breaker (NV).

*2. <For 25-140 outdoor unit application>

Max. 45 m

If 2.5 mm² used, Max. 50 m

If 2.5 mm² used and S3 separated, Max. 80 m

For PUHZ-RP100/125/140 YHA application, use shield wires. The shield part must be grounded with the indoor unit OR the outdoor unit, NOT with both.

<For 200/250 outdoor unit application>

Max. 18 m

If 2.5 mm² used, Max. 30 m

If 4 mm² used and S3 separated, Max. 50 m

If 6 mm² used and S3 separated, Max. 80 m

*3. The 10 m wire is attached in the remote controller accessory. Max. 500 m

*4. The figures are NOT always against the ground.

S3 terminal has DC 24 V against S2 terminal. However between S3 and S1, these terminals are not electrically insulated by the transformer or other device.

Notes: 1. Wiring size must comply with the applicable local and national code.

2. Power supply cords and indoor unit/outdoor unit connecting cords shall not be lighter than polychloroprene sheathed flexible cord. (Design 245 IEC 57)

3. Install an earth longer than other cables.

6. Electrical work

6.1.2. Separate indoor unit/outdoor unit power supplies (For PUHZ application only)

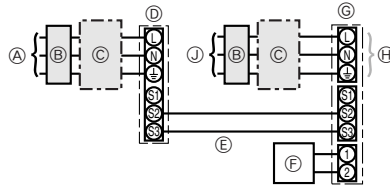
The following connection patterns are available.

The outdoor unit power supply patterns vary on models.

1:1 System

<For models without heater>

* The optional wiring replacement kit is required.



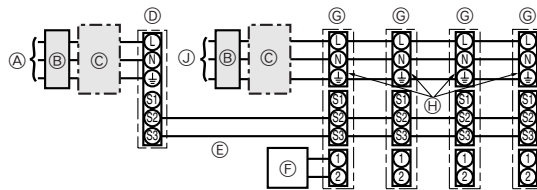
- Ⓐ Outdoor unit power supply
- Ⓑ Earth leakage breaker
- Ⓒ Wiring circuit breaker or isolating switch
- Ⓓ Outdoor unit
- Ⓔ Indoor unit/outdoor unit connecting cords
- Ⓕ Remote controller
- Ⓖ Indoor unit
- Ⓗ Option
- Ⓙ Indoor unit power supply

* Affix a label B that is included with the manuals near each wiring diagram for the indoor and outdoor units.

Simultaneous twin/triple/four system

<For models without heater>

* The optional wiring replacement kits are required.



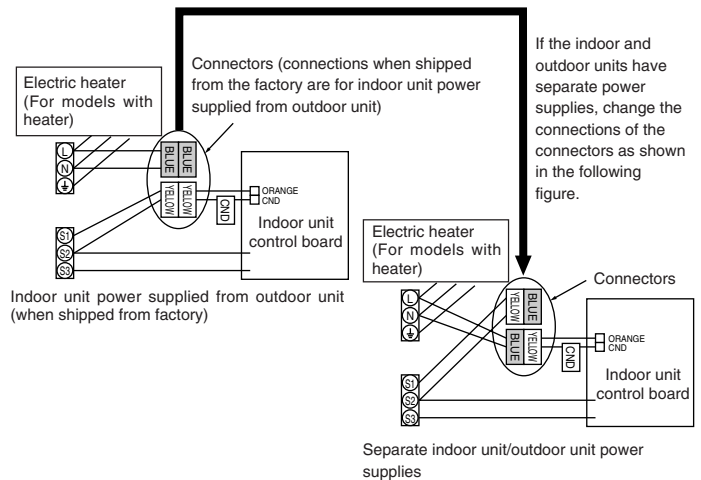
- Ⓐ Outdoor unit power supply
- Ⓑ Earth leakage breaker
- Ⓒ Wiring circuit breaker or isolating switch
- Ⓓ Outdoor unit
- Ⓔ Indoor unit/outdoor unit connecting cords
- Ⓕ Remote controller
- Ⓖ Indoor unit
- Ⓗ Option
- Ⓙ Indoor unit power supply

* Affix a label B that is included with the manuals near each wiring diagram for the indoor and outdoor units.

If the indoor and outdoor units have separate power supplies, refer to the table at the below. If the optional wiring replacement kit is used, change the indoor unit electrical box wiring referring to the figure in the right and the DIP switch settings of the outdoor unit control board.

| | Indoor unit specifications | | | | | | | | |
|---|--|----|---|--|---|-----|---|---|--|
| Indoor power supply terminal kit (option) | Required | | | | | | | | |
| Indoor unit electrical box connector connection change | Required | | | | | | | | |
| Label affixed near each wiring diagram for the indoor and outdoor units | Required | | | | | | | | |
| Outdoor unit DIP switch settings (when using separate indoor unit/outdoor unit power supplies only) | <table border="1" style="display: inline-table;"> <tr> <td>ON</td> <td></td> <td></td> <td>3</td> </tr> <tr> <td>OFF</td> <td>1</td> <td>2</td> <td></td> </tr> </table> (SW8) | ON | | | 3 | OFF | 1 | 2 | |
| ON | | | 3 | | | | | | |
| OFF | 1 | 2 | | | | | | | |

* There are three types of labels (labels A, B, and C). Affix the appropriate labels to the units according to the wiring method.



| Indoor unit model | | PLA |
|---|--------------------------------|---------------------------|
| Indoor unit power supply | | ~N (single), 50 Hz, 230 V |
| Indoor unit input capacity | | 16 A |
| Main switch (Breaker) | | *1 |
| Wiring Wire No. x size (mm ²) | Indoor unit power supply | 2 × Min. 1.5 |
| | Indoor unit power supply earth | 1 × Min. 1.5 |
| | Indoor unit-Outdoor unit | *2 2 × Min. 0.3 |
| | Indoor unit-Outdoor unit earth | - |
| Circuit rating | Remote controller-Indoor unit | *3 2 × 0.3 (Non-polar) |
| | Indoor unit L-N | *4 AC 230 V |
| | Indoor unit-Outdoor unit S1-S2 | *4 - |
| | Indoor unit-Outdoor unit S2-S3 | *4 DC24 V |
| | Remote controller-Indoor unit | *4 DC12 V |

*1. A breaker with at least 3 mm contact separation in each pole shall be provided. Use non-fuse breaker (NF) or earth leakage breaker (NV).

*2. Max. 120 m

For PUHZ-RP100/125/140 YHA application, use shield wires. The shield part must be grounded with the indoor unit OR the outdoor unit, NOT with both.

*3. The 10 m wire is attached in the remote controller accessory. Max. 500 m

*4. The figures are NOT always against the ground.

Notes: 1. Wiring size must comply with the applicable local and national code.

2. Power supply cords and indoor unit/outdoor unit connecting cords shall not be lighter than polychloroprene sheathed flexible cord. (Design 245 IEC 57)

3. Install an earth longer than other cables.

6. Electrical work

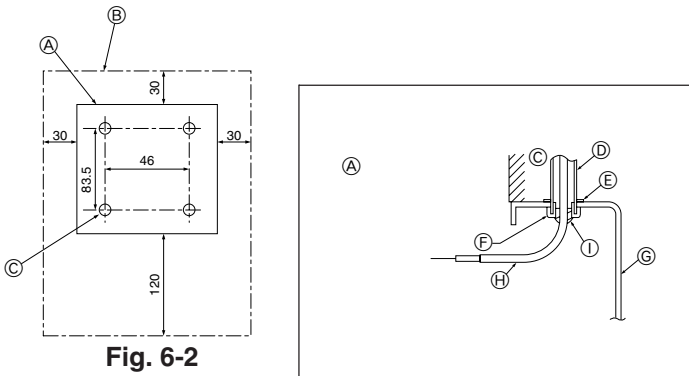


Fig. 6-2

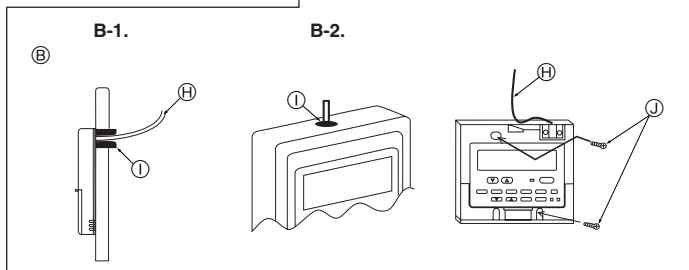


Fig. 6-3

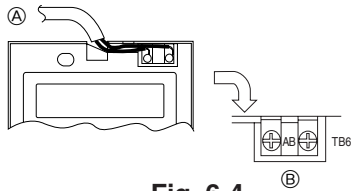


Fig. 6-4

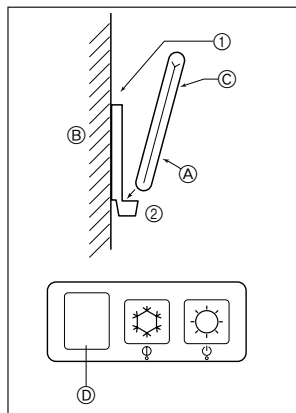


Fig. 6-5

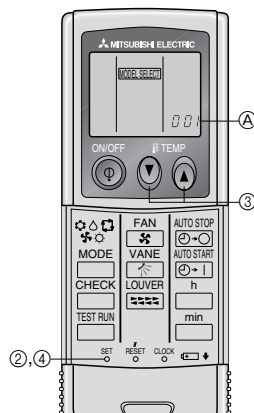


Fig. 6-6

6.2. Remote controller

6.2.1. For wired remote controller

1) Installing procedures

(1) Select an installing position for the remote controller. (Fig. 6-2)

The temperature sensors are located on both remote controller and indoor unit.

► Procure the following parts locally:

Two piece switch box

Thin copper conduit tube

Lock nuts and bushings

Ⓐ Remote controller profile

Ⓑ Required clearances surrounding the remote controller

Ⓒ Installation pitch

(2) Seal the service entrance for the remote controller cord with putty to prevent possible invasion of dew drops, water, cockroaches or worms. (Fig. 6-3)

Ⓐ For installation in the switch box:

Ⓑ For direct installation on the wall select one of the following:

- Prepare a hole through the wall to pass the remote controller cord (in order to run the remote controller cord from the back), then seal the hole with putty.

- Run the remote controller cord through the cut-out upper case, then seal the cut-out notch with putty similarly as above.

B-1. To lead the remote controller cord from the back of the controller:

B-2. To run the remote controller cord through the upper portion:

(3) For direct installation on the wall

Ⓒ Wall

Ⓓ Conduit

Ⓔ Lock nut

Ⓕ Bushing

Ⓖ Switch box

Ⓗ Remote controller cord

Ⓘ Seal with putty

⓵ Wood screw

2) Connecting procedures (Fig. 6-4)

① Connect the remote controller cord to the terminal block.

Ⓐ To TB5 on the indoor unit

Ⓑ TB6 (No polarity)

3) Two remote controllers setting

If two remote controllers are connected, set one to "Main" and the other to "Sub". For setting procedures, refer to "Function selection of remote controller" in the operation manual for the indoor unit.

6.2.2. For wireless remote controller

1) Installation area

- Area in which the remote controller is not exposed to direct sunshine.
- Area in which there is no nearby heating source.
- Area in which the remote controller is not exposed to cold (or hot) winds.
- Area in which the remote controller can be operated easily.
- Area in which the remote controller is beyond the reach of children.

2) Installation method (Fig. 6-5)

① Attach the remote controller holder to the desired location using two tapping screws.

② Place the lower end of the controller into the holder.

Ⓐ Remote controller

Ⓑ Wall

Ⓒ Display panel

Ⓓ Receiver

- The signal can travel up to approximately 7 meters (in a straight line) within 45 degrees to both right and left of the center line of the receiver.

3) Setting (Fig. 6-6)

① Insert batteries.

② Press the SET button with something sharp at the end.

MODEL SELECT blinks and Model No. is lighted.

③ Press the temp (⓵) (⓶) button to set the Model No.

④ Press the SET button with something sharp at the end.

MODEL SELECT and Model No. are lighted for three seconds, then turned off.

| Indoor | Outdoor | Ⓐ Model No. |
|------------------------|----------------|-------------|
| PLH, PCH, PKH (35, 50) | PUH | 001 |
| PLA, PCA, PKA (35, 50) | PUH, PUHZ, SUZ | 001 |
| | PU | 033 |
| PKH (60, 71, 100) | PUH | 003 |
| PKA (60, 71, 100) | PUH, PUHZ, SUZ | 003 |
| | PU | 035 |

6. Electrical work

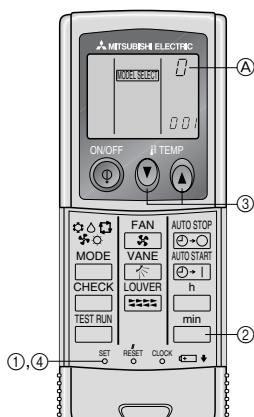


Fig. 6-7

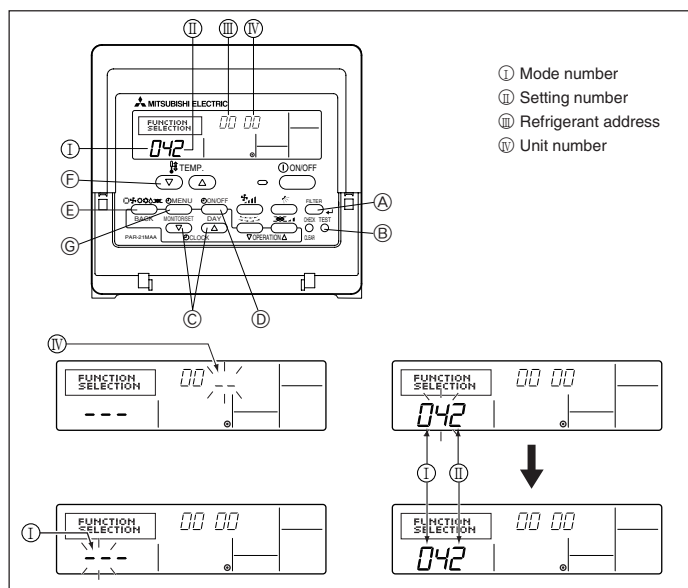


Fig. 6-8

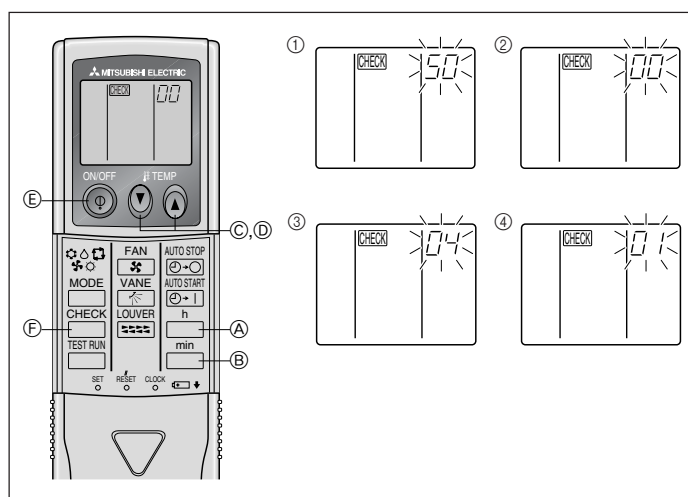


Fig. 6-9

4) Assigning a remote controller to each unit (Fig. 6-7)

Each unit can be operated only by the assigned remote controller.

Make sure each pair of an indoor unit PC board and a remote controller is assigned to the same pair No.

5) Wireless remote controller pair number setting operation

① Press the SET button with something sharp at the end.

Start this operation from the status of remote controller display turned off.

MODEL SELECT blinks and Model No. is lighted.

② Press the min button twice continuously.

Pair No. "0" blinks.

③ Press the temp button to set the pair number you want to set.

④ Press the SET button with something sharp at the end.

Set pair number is lighted for three seconds then turned off.

| Pair No. of wireless remote controller | Indoor PC board |
|--|-----------------|
| 0 | Factory setting |
| 1 | Cut J41 |
| 2 | Cut J42 |
| 3-9 | Cut J41, J42 |

6.3. Function settings

6.3.1. Function setting on the unit (Selecting the unit functions)

1) For wired remote controller (Fig. 6-8)

Changing the power voltage setting

• Be sure to change the power voltage setting depending on the voltage used.

① Go to the function setting mode.

Switch OFF the remote controller.

Press the (A) and (B) buttons simultaneously and hold them for at least 2 seconds. FUNCTION will start to flash.

② Use the (C) button to set the refrigerant address (III) to 00.

③ Press (D) and [-] will start to flash in the unit number (IV) display.

④ Use the (C) button to set the unit number (IV) to 00.

⑤ Press the (E) MODE button to designate the refrigerant address/unit number. [-] will flash in the mode number (I) display momentarily.

⑥ Press the (F) buttons to set the mode number (I) to 04.

⑦ Press the (G) button and the current set setting number (II) will flash.

Use the (F) button to switch the setting number in response to the power supply voltage to be used.

Power supply voltage

240 V : setting number = 1

220 V, 230 V : setting number = 2

⑧ Press the MODE button (E) and mode and the setting number (I) and (II) will change to being on constantly and the contents of the setting can be confirmed.

⑨ Press the FILTER (A) and TEST RUN (B) buttons simultaneously for at least two seconds. The function selection screen will disappear momentarily and the air conditioner OFF display will appear.

2) For wireless remote controller (Fig. 6-9)

Changing the power voltage setting

• Be sure to change the power voltage setting depending on the voltage used.

① Go to the function select mode

Press the CHECK button (E) twice continuously.

(Start this operation from the status of remote controller display turned off.)

CHECK is lighted and "00" blinks.

Press the temp button (C) once to set "50". Direct the wireless remote controller toward the receiver of the indoor unit and press the h button (A).

② Setting the unit number

Press the temp button (C) and (D) to set the unit number "00". Direct the wireless remote controller toward the receiver of the indoor unit and press the min button (B).

③ Selecting a mode

Enter 04 to change the power voltage setting using the temp (C) and (D) buttons. Direct the wireless remote controller toward the receiver of the indoor unit and press the h button (A).

Current setting number: 1 = 1 beep (one second)

2 = 2 beeps (one second each)

3 = 3 beeps (one second each)

④ Selecting the setting number

Use the temp (C) and (D) buttons to change the power voltage setting to 01 (240 V). Direct the wireless remote controller toward the sensor of the indoor unit and press the h button (A).

⑤ To select multiple functions continuously

Repeat steps ③ and ④ to change multiple function settings continuously.

⑥ Complete function selection

Direct the wireless remote controller toward the sensor of the indoor unit and press the (E) button (E).

Note:

Whenever changes are made to the function settings after installation or maintenance, be sure to record the changes with a mark in the "Setting" column of the Function table.

6.3.2. Function setting on the remote controller

Refer to the indoor unit operation manual.

6. Electrical work

Function table

Select unit number 00

| Mode | Settings | Mode no. | Setting no. | Initial setting | setting |
|----------------------------------|---|----------|-------------|-----------------|---------|
| Power failure automatic recovery | Not available | 01 | 1 | *2 | |
| | Available | | 2 | *2 | |
| Indoor temperature detecting | Indoor unit operating average | 02 | 1 | ○ | |
| | Set by indoor unit's remote controller | | 2 | | |
| | Remote controller's internal sensor | | 3 | | |
| LOSSNAY connectivity | Not Supported | 03 | 1 | ○ | |
| | Supported (indoor unit is not equipped with outdoor-air intake) | | 2 | | |
| | Supported (indoor unit is equipped with outdoor-air intake) | | 3 | | |
| Power voltage | 240 V | 04 | 1 | | |
| | 220 V, 230 V | | 2 | ○ | |
| Auto mode (only for PUHZ) | Energy saving cycle automatically enabled | 05 | 1 | ○ | |
| | Energy saving cycle automatically disabled | | 2 | | |

Select unit numbers 01 to 03 or all units (AL [wired remote controller]/07 [wireless remote controller])

| Mode | Settings | Mode no. | Setting no. | Initial setting | setting |
|---|---|----------|-------------|-----------------|---------|
| Filter sign | 100Hr | 07 | 1 | | |
| | 2500Hr | | 2 | ○ | |
| | No filter sign indicator | | 3 | | |
| Fan speed | Standard (PLH/PLA)/Silent (PCH/PCA) | 08 | 1 | ○ | |
| | High ceiling ① (PLH/PLA)/Standard (PCH/PCA) | | 2 | | |
| | High ceiling ② (PLH/PLA)/High ceiling (PCH/PCA) | | 3 | | |
| No. of air outlets | 4 directions | 09 | 1 | ○ | |
| | 3 directions | | 2 | | |
| | 2 directions | | 3 | | |
| Installed options (high-performance filter) | Not supported | 10 | 1 | ○ | |
| | Supported | | 2 | | |
| Up/down vane setting | No vanes | 11 | 1 | | |
| | Equipped with vanes (vanes angle setup ①) | | 2 | | |
| | Equipped with vanes (vanes angle setup ②) | | 3 | ○ | |
| Energy saving air flow (Heating mode) | Disabled | 12 | 1 | ○ | |
| | Enabled | | 2 | | |

*1 When the power supply returns, the air conditioner will start 3 minutes later.

*2 Power failure automatic recovery initial setting depends on the connecting outdoor unit.

7. Test run

7.1. Before test run

- ▶ After completing installation and the wiring and piping of the indoor and outdoor units, check for refrigerant leakage, looseness in the power supply or control wiring, wrong polarity, and no disconnection of one phase in the supply.
- ▶ Use a 500-volt megohmmeter to check that the resistance between the power supply terminals and ground is at least 1.0 MΩ.

- ▶ Do not carry out this test on the control wiring (low voltage circuit) terminals.

⚠ Warning:

Do not use the air conditioner if the insulation resistance is less than 1.0 MΩ. Insulation resistance

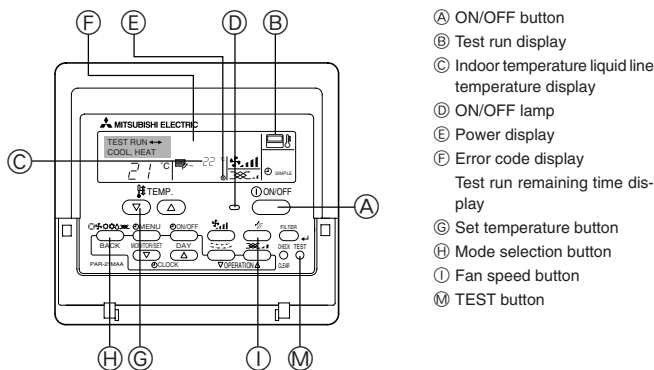


Fig. 7-1

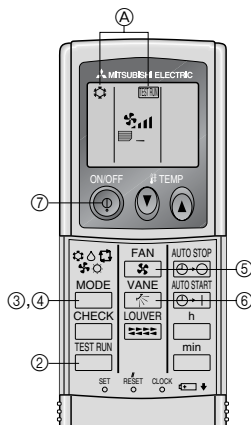


Fig. 7-2

7.2. Test run

The following 3 methods are available.

7.2.1. Using wired remote controller (Fig. 7-1)

- Turn on the power at least 12 hours before the test run.
- Press the [TEST] button twice. ⇒ "TEST RUN" liquid crystal display
- Press the [Mode selection] button. ⇒ Make sure that wind is blown out.
- Press the [Mode selection] button and switch to the cooling (or heating) mode. ⇒ Make sure that cold (or warm) wind is blown out.
- Press the [Fan speed] button. ⇒ Make sure that the wind speed is switched.
- Check operation of the outdoor unit fan.
- Release test run by pressing the [ON/OFF] button. ⇒ Stop
- Register a telephone number.

The telephone number of the repair shop, sales office, etc., to contact if an error occurs can be registered in the remote controller. The telephone number will be displayed when an error occurs. For registration procedures, refer to the operation manual for the indoor unit.

7.2.2. Using wireless remote controller (Fig. 7-2)

- Turn on the power to the unit at least 12 hours before the test run.
- Press the button twice continuously. (Start this operation from the status of remote controller display turned off.)
A and current operation mode are displayed.
- Press the button to activate COOL mode, then check whether cool air is blown out from the unit.
- Press the button to activate HEAT mode, then check whether warm air is blown out from the unit.
- Press the button and check whether fan speed changes.
- Press the button and check whether the auto vane operates properly.
- Press the ON/OFF button to stop the test run.

Note:

- Point the remote controller towards the indoor unit receiver while following steps ② to ⑦.
- It is not possible to run the in FAN, DRY or AUTO mode.

7. Test run

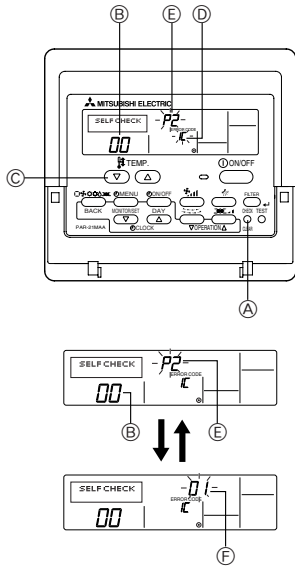


Fig. 7-3

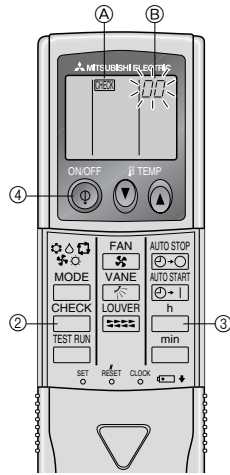


Fig. 7-4

7.2.3. Using SW4 in outdoor unit

Refer to the outdoor unit installation manual.

7.3. Self-check

7.3.1. Wired remote controller (Fig. 7-3)

- ① Turn on the power.
- ② Press the [CHECK] button twice.
- ③ Set refrigerant address with [TEMP] button if system control is used.
- ④ Press the [ON/OFF] button to stop the self-check.

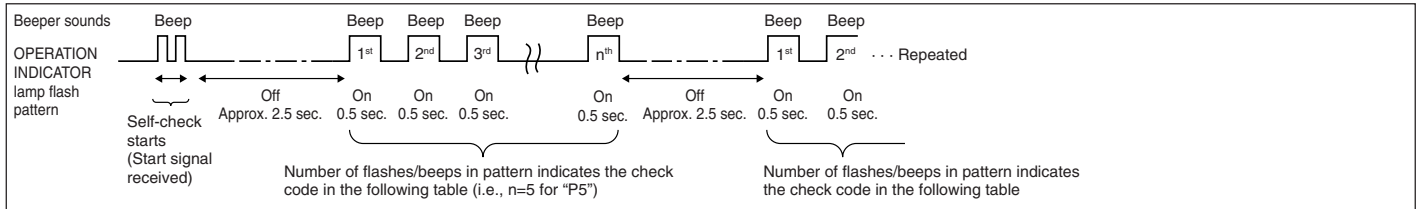
- Ⓐ CHECK button
- Ⓑ Refrigerant address
- Ⓒ TEMP. button
- Ⓓ IC: Indoor unit
- Ⓔ OC: Outdoor unit
- Ⓔ Check code
- Ⓕ Unit address

7.3.2. Wireless remote controller (Fig. 7-4)

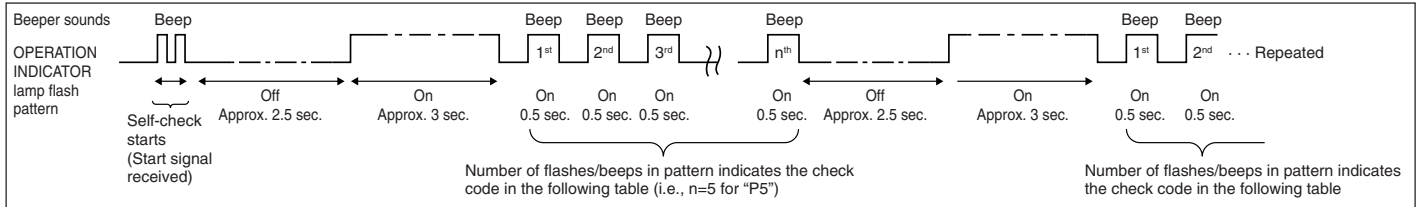
- ① Turn on the power.
- ② Press the button twice.
(Start this operation from the status of remote controller display turned off.)
 - Ⓐ begins to light.
 - Ⓑ "00" begins to blink.
- ③ While pointing the remote controller toward the unit's receiver, press the button. The check code will be indicated by the number of times that the buzzer sounds from the receiver section and the number of blinks of the operation lamp.
- ④ Press the ON/OFF button to stop the self-check.

• Refer to the following tables for details on the check codes. (Wireless remote controller)

[Output pattern A]



[Output pattern B]



[Output pattern A] Errors detected by indoor unit

| Wireless remote controller Beeper sounds/OPERATION INDICATOR lamp flashes (Number of times) | Wired remote controller Check code | Symptom | Remark |
|--|--|---|--------|
| 1 | P1 | Intake sensor error | |
| 2 | P2, P9 | Pipe (Liquid or 2-phase pipe) sensor error | |
| 3 | E6, E7 | Indoor/outdoor unit communication error | |
| 4 | P4 | Drain sensor error | |
| 5 | P5 | Drain pump error | |
| 6 | P6 | Freezing/Overheating safeguard operation | |
| 7 | EE | Communication error between indoor and outdoor units | |
| 8 | P8 | Pipe temperature error | |
| 9 | E4 | Remote controller signal receiving error | |
| 10 | — | — | |
| 11 | — | — | |
| 12 | Fb | Indoor unit control system error (memory error, etc.) | |
| No sound | — | No corresponding | |

7. Test run

[Output pattern B] Errors detected by unit other than indoor unit (outdoor unit, etc.)

| Wireless remote controller Beeper sounds/OPERATION INDICATOR lamp flashes (Number of times) | Wired remote controller Check code | Symptom | Remark |
|--|---------------------------------------|--|---|
| 1 | E9 | Indoor/outdoor unit communication error (Transmitting error) (Outdoor unit) | For details, check the LED display of the outdoor controller board. |
| 2 | UP | Compressor overcurrent interruption | |
| 3 | U3, U4 | Open/short of outdoor unit thermistors | |
| 4 | UF | Compressor overcurrent interruption (When compressor locked) | |
| 5 | U2 | Abnormal high discharging temperature/49C worked/insufficient refrigerant | |
| 6 | U1, Ud | Abnormal high pressure (63H worked)/Overheating safeguard operation | |
| 7 | U5 | Abnormal temperature of heat sink | |
| 8 | U8 | Outdoor unit fan safeguard stop | |
| 9 | U6 | Compressor overcurrent interruption/Abnormal of power module | |
| 10 | U7 | Abnormality of super heat due to low discharge temperature | |
| 11 | U9, UH | Abnormality such as overvoltage or voltage shortage and abnormal synchronous signal to main circuit/Current sensor error | |
| 12 | - | - | |
| 13 | - | - | |
| 14 | Others | Other errors (Refer to the technical manual for the outdoor unit.) | |

*1 If the beeper does not sound again after the initial two beeps to confirm the self-check start signal was received and the OPERATION INDICATOR lamp does not come on, there are no error records.

*2 If the beeper sounds three times continuously "beep, beep, beep (0.4 + 0.4 + 0.4 sec.," after the initial two beeps to confirm the self-check start signal was received, the specified refrigerant address is incorrect.

- On wireless remote controller
The continuous buzzer sounds from receiving section of indoor unit.
Blink of operation lamp
- On wired remote controller
Check code displayed in the LCD.
- If the unit cannot be operated properly after the above test run has been performed, refer to the following table to remove the cause.

| Symptom | | Cause |
|--|--|--|
| Wireless remote controller | Wired remote controller | |
| PLEASE WAIT | For about 2 minutes following power-on | LED 1, 2 (PCB in outdoor unit) After LED 1, 2 are lighted, LED 2 is turned off, then only LED 1 is lighted. (Correct operation) |
| PLEASE WAIT → Error code | After about 2 minutes has expired following power-on | Only LED 1 is lighted. → LED 1, 2 blink. |
| Display messages do not appear even when operation switch is turned ON (operation lamp does not light up). | | Only LED 1 is lighted. → LED 1 blinks twice, LED 2 blinks once. |

On the wireless remote controller with condition above, following phenomena takes place.

- No signals from the remote controller are accepted.
- OPE lamp is blinking.
- The buzzer makes a short piping sound.

Note:

Operation is not possible for about 30 seconds after cancellation of function selection. (Correct operation)

For description of each LED (LED1, 2, 3) provided on the indoor controller, refer to the following table.

| | |
|--|---|
| LED 1 (power for microcomputer) | Indicates whether control power is supplied. Make sure that this LED is always lit. |
| LED 2 (power for remote controller) | Indicates whether power is supplied to the remote controller. This LED lights only in the case of the indoor unit which is connected to the outdoor unit refrigerant address "0". |
| LED 3 (communication between indoor and outdoor units) | Indicates state of communication between the indoor and outdoor units. Make sure that this LED is always blinking. |

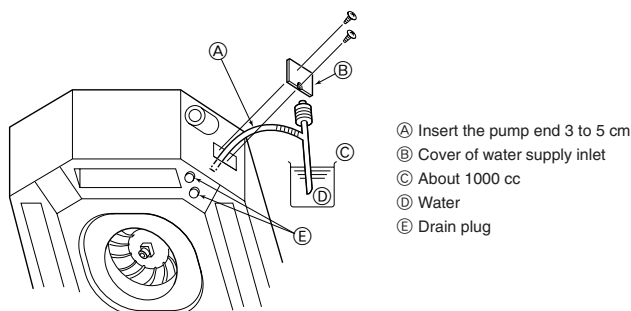


Fig. 7-5

- Ⓐ Insert the pump end 3 to 5 cm
- Ⓑ Cover of water supply inlet
- Ⓒ About 1000 cc
- Ⓓ Water
- Ⓔ Drain plug

7.4. Check of drainage (Fig. 7-5)

- During the test run, ensure the water is being properly drained out and that no water is leaking from joints.
 - Always check this during installation even if the unit is not required to provide cooling/drying at that time.
 - Similarly, check the drainage before finishing ceiling installation in a new premises.
- (1) Remove the cover of the water supply inlet and add about 1000 cc of water using a water supply pump etc. During this process, be careful not to spray water into the drain pump mechanism.
 - (2) Confirm that water is being drained out through the drainage outlet, after switching over from remote control mode to test run mode.
 - (3) After checking the drainage, ensure that the cover is replaced and the power supply is isolated.
 - (4) After confirming the drainage system is functioning, replace the drain plug.

8. System control

Refer to the outdoor unit installation manual.

9. Installing the grille

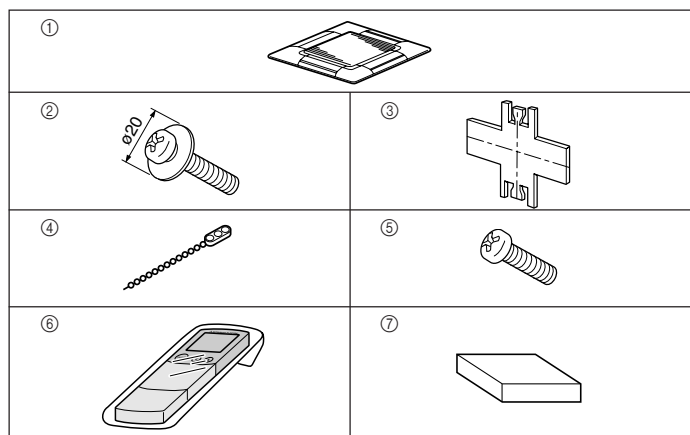


Fig. 9-1

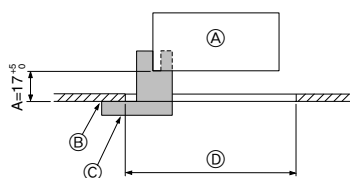


Fig. 9-2

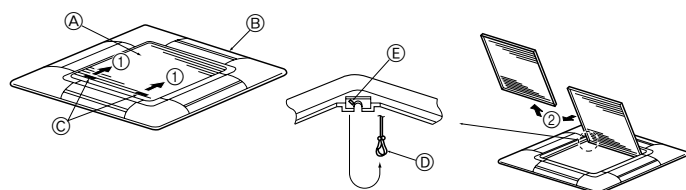


Fig. 9-3

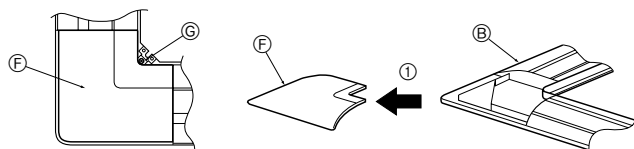


Fig. 9-4

| | 4-directional | 3-directional |
|----------------------------|--|--|
| Blowout direction patterns | One pattern: Factory setting | 4 patterns: One air outlet fully closed |
| Blowout direction patterns | 2-directional | |
| Blowout direction patterns | 6 patterns: Two air outlet fully closed | |

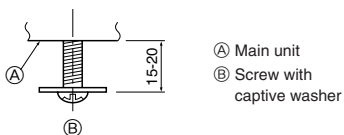


Fig. 9-5

9.1. Checking the contents (Fig. 9-1)

- This kit contains this manual and the following parts.

| | Accessory name | Q'ty | Remark |
|---|----------------------------|------|---------------------------|
| ① | Grille | 1 | 950 × 950 (mm) |
| ② | Screw with captive washer | 4 | M5 × 0.8 × 25 |
| ③ | Gauge | 1 | (Divided into four parts) |
| ④ | Fastener | 2 | |
| ⑤ | Screw | 4 | 4 × 8 |
| ⑥ | Wireless remote controller | 1 | for PLP-6AALM |
| ⑦ | Wired remote controller | 1 | for PLP-6AAMD |

9.2. Preparing to attach the grille (Fig. 9-2)

- With the gauge ③ supplied with this kit, adjust and check the positioning of the unit relative to the ceiling. If the unit is not properly positioned relative to the ceiling, it may allow air leaks or cause condensation to collect.
- Make sure that the opening in the ceiling is within the following tolerances: 860 × 860 - 910 × 910
- Make sure that step A is performed within 17-22 mm. Damage could result by failing to adhere to this range.
 - Ⓐ Main unit
 - Ⓑ Ceiling
 - Ⓒ Gauge ③ (inserted into the unit)
 - Ⓓ Ceiling opening dimensions

9.2.1. Removing the intake grille (Fig. 9-3)

- Slide the levers in the direction indicated by the arrow ① to open the intake grille.
- Unlatch the hook that secures the grille.
 - * Do not unlatch the hook for the intake grille.
- With the intake grille in the "open" position, remove the hinge of the intake grille from the grille as indicated by the arrow ②.

9.2.2. Removing the corner panel (Fig. 9-4)

- Remove the screw from the corner of the corner panel. Slide the corner panel as indicated by the arrow ① to remove the corner panel.
 - Ⓐ Intake grille
 - Ⓑ Grille
 - Ⓒ Intake grille levers
 - Ⓓ Grille hook
 - Ⓔ Hole for the grille's hook
 - Ⓕ Corner panel
 - Ⓖ Screw

9.3. Selection of the air outlets

For this grille the discharge direction is available in 11 patterns. Also, by setting the Remote controller to the appropriate settings, you can adjust the air-flow and speed. Select the required settings from the Table according to the location in which you want to install the unit.

- Decide on the discharge direction pattern.
- Be sure to set the remote controller to the appropriate settings, according to the number of air outlets and the height of the ceiling on which the unit will be installed.

Note:

For 3 and 2-directional, please use the air outlet shutter plate (option).

9.4. Installing the grille

9.4.1. Preparations (Fig. 9-5)

- Install the two enclosed screws with washer ② in the main unit (at the corner drain pipe area and at the opposite corner) as shown in the diagram.

9. Installing the grille

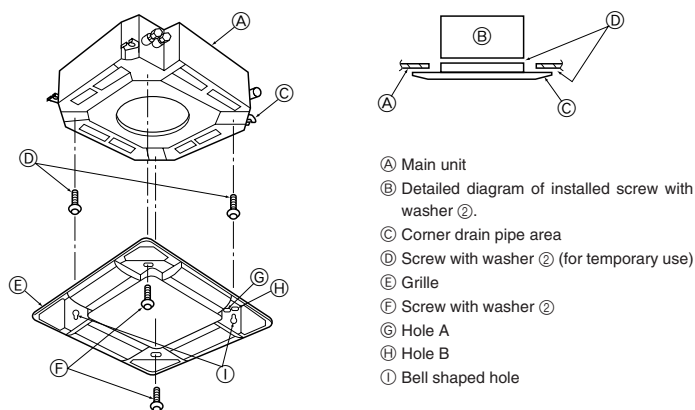


Fig. 9-6

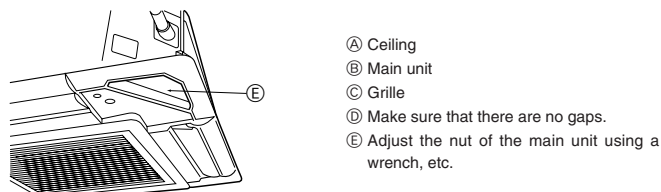


Fig. 9-7

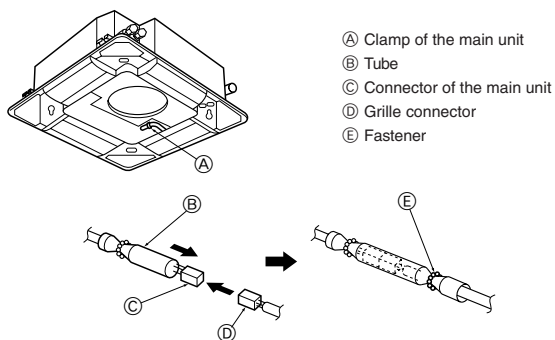


Fig. 9-8

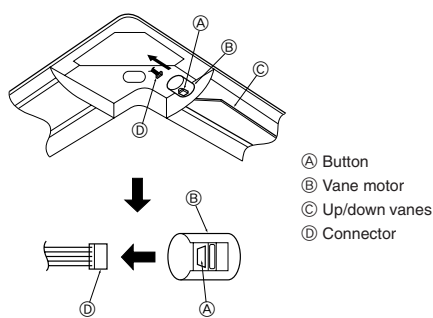


Fig. 9-9

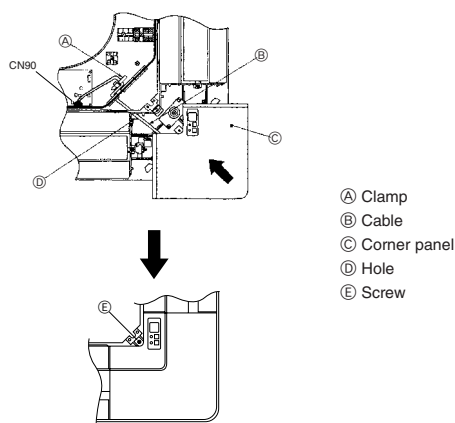


Fig. 9-10

9.4.2. Temporary installation of the grille (Fig. 9-6)

- Temporarily secure the grille using the bell shaped holes by aligning the corner drain pipe area of the main unit with the two holes of the grille that are marked A and B.

* Make sure that the lead wiring of the grille does not get pinched between the grille and the main unit.

9.4.3. Securing the grille (Fig. 9-7)

- Secure the grille to the main unit by tightening the previously installed two screws (with captive washer) as well as the two remaining screws (with captive washer).

* Make sure that there are no gaps between the main unit and the grille or the grille and the ceiling.

Fixing gaps between the grille and the ceiling

With the grille attached, adjust the height of the main unit to close the gap.

9.4.4. Wire connection (Fig. 9-8)

- Be sure to connect the unit to the connector (white, 10-pole). Next, attach the white glass tube that comes with the main unit so that the tube covers the connector. Close the opening of the glass tube with the fastener.
- Make sure that there is no slack in the lead wire at the clamp of the main unit.

⚠ Warning:

If the connector is not covered with the glass tube, tracking resulting in fire may occur.

9.5. Locking the up/down airflow direction (Fig. 9-9)

The vanes of the unit can be set and locked in up or down orientations depending upon the environment of use.

- Set according to the preference of the customer.
The operation of the fixed up/down vanes and all automatic controls cannot be performed using the remote controller. In addition, the actual position of the vanes may differ from the position indicated on the remote controller.

- Turn off the main power switch.
Injuries and or an electrical shock may occur while the fan of the unit is rotating.
- Disconnect the connector for the vane motor of the vent that you want to lock.
(While pressing the button, remove the connector in the direction indicated by the arrow as shown in the diagram.) After removing the connector, insulate it with tape.

9.6. Installing the wireless sensor (Fig. 9-10)

- Pull out the wireless sensor cable from the square hole in the corner panel of the refrigerant piping section of the main unit.
- Feed the cable through the electric component box of the main unit as shown in the illustration, and then connect it to CN90 on the control board. Adjust the length of the cable so the corner panel can be removed, and then secure the cable with the clamp.

9.7. Check

- Make sure that there is no gap between the unit and the grille, or between the grille and the surface of the ceiling. If there is any gap between the unit and the grille, or between the grille and the surface of the ceiling, it may cause dew to collect.
- Make sure that the wires have been securely connected.

9. Installing the grille

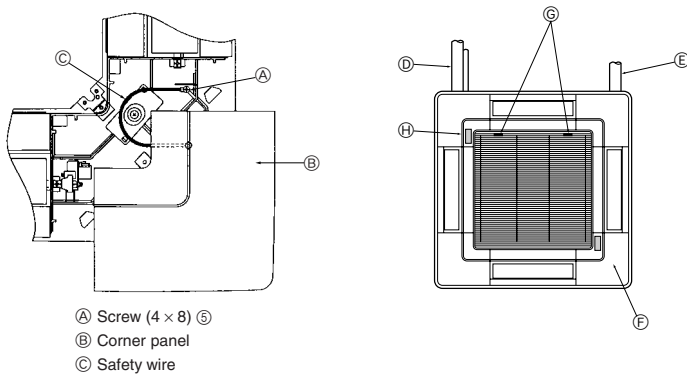


Fig. 9-11

9.8. Installing the intake grille (Fig. 9-11)

Note:

When reinstalling the corner panels (each with a safety wire attached), connect the other end of each safety wire to the grille using a screw (4 pcs, 4 × 8) as shown in the illustration.

* If the corner panels are not attached, they may fall off while the unit is operating.

- Perform the procedure that is described in “9.2. Preparing to attach the grille” in reverse order to install the intake grille and the corner panel.
- Multiple units can be installed with grille so that the position of the logo on each corner panel is consistent with the other units regardless of the orientation of the intake grille. Align the logo on the panel according to the wishes of the customer as shown in the diagram to the left. (The position of the grille can be changed.)

Ⓓ Refrigerant piping of the main unit

Ⓔ Drain piping of the main unit

Ⓕ Position of the corner panel when sent from the factory (logo attached).

* Installation in any position is possible.

Ⓖ Position of the levers on the intake grille when sent from the factory.

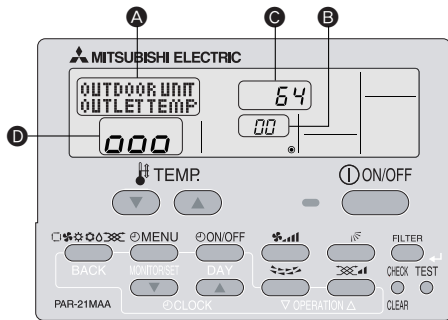
* Although the clips can be installed in any of four positions, the configuration shown here is recommended.

(It is not necessary to remove the intake grille when maintenance is performed on the electric component box of the main unit.)

Ⓗ Receiver (Only PLP-6AALM Panel)

10. Easy maintenance function

Display example (Comp discharge temperature 64 °C)



By using the maintenance mode, you can display many types of maintenance data on the remote controller such as the heat exchanger temperature and compressor current consumption for the indoor and outdoor units.

This function can be used whether the air conditioner is operating or not.

During air conditioner operation, data can be checked during either normal operation or maintenance mode stable operation.

* This function cannot be used during the test run.

* The availability of this function depends on the connecting outdoor unit. Refer to the brochures.

Maintenance mode operation procedures

(1) Press the **TEST** button for three seconds to activate the maintenance mode. Display **A** MAINTENANCE

(2) Press the **TEMP.** (▼) (▲) buttons to set the refrigerant address. Display **B** 00 ↔ 01 15

(3) Select the data you want to display.

| | | | |
|--------------------------|----------------------------|----------------------------|-----------------------------|
| Compressor information | Cumulative operation time | ON/OFF number | Operation current |
| Display A MENU | COMP ON x10 HOURS | COMP ON x100 TIMES | COMP ON CURRENT (A) |
| Outdoor unit information | Heat exchanger temperature | Comp discharge temperature | Outdoor ambient temperature |
| Display A ON/OFF | OUTDOOR UNIT H-EXC. TEMP | OUTDOOR UNIT OUTLET TEMP | OUTDOOR UNIT OUTDOOR TEMP |
| Indoor unit information | Indoor room temperature | Heat exchanger temperature | Filter operation time |
| Display A FILTER | INDOOR UNIT INLET TEMP | INDOOR UNIT H-EXC. TEMP | INDOOR UNIT FILTER USE H |

* The filter operation time displayed is the number of hours the filter has been used since the filter reset was performed.

(4) Press the **FILTER** button.

(5) The data is displayed in **C**. (Airflow temperature display example)

Display **C** Flashing Waiting for response → Approx. 10 sec. → 64 °C

* Repeat steps (2) to (5) to check another date.

(6) Press the **TEST** button for three seconds or press the **ON/OFF** button to deactivate the maintenance mode.

Stable operation
Using the maintenance mode, the operation frequency can be fixed and the operation can be stabilized. If the air conditioner is stopped, use the following procedure to start this operation.

Press the **MODE** button to select the operation mode.

Display **A** COOL STABLE MODE → HEAT STABLE MODE → STABLE MODE CANCEL

Press the **FILTER** button.

Waiting for stable operation Display **B** 0 → 00 → 000 → 10-20 min. → Stable operation Display **C** 000

* You can check the data using steps (3) to (5) of the maintenance mode operation procedures while waiting for the stable operation.