

# SERVICE MANUAL R410A

**Outdoor unit**  
**[Model names]**

<b>PU-P71VHA</b>	<b>PUH-P71VHA</b>
<b>PU-P71YHA</b>	<b>PUH-P71YHA</b>
<b>PU-P100VHA</b>	<b>PUH-P100VHA</b>
<b>PU-P100YHA</b>	<b>PUH-P100YHA</b>
<b>PU-P125YHA</b>	<b>PUH-P125YHA</b>
<b>PU-P140YHA</b>	<b>PUH-P140YHA</b>

**[Service Ref.]**  
 Service Ref. is on page 2.

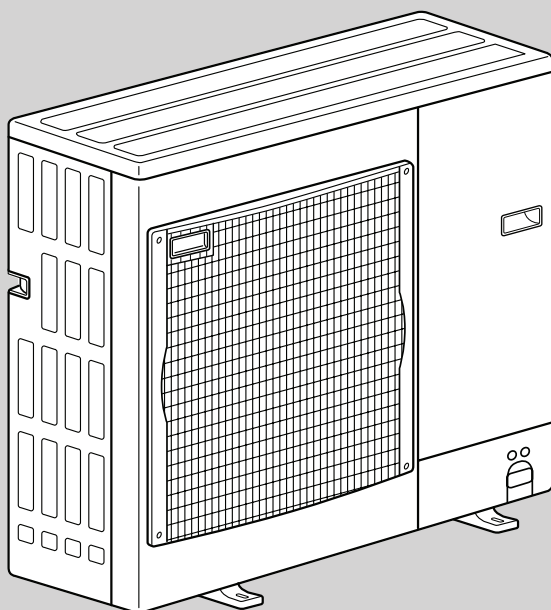
**Revision:**

- PU(H)-P125/140YHAR5.UK have been added in REVISED EDITION-G.
- Some descriptions have been modified.

- Please void OC379 REVISED EDITION-F.

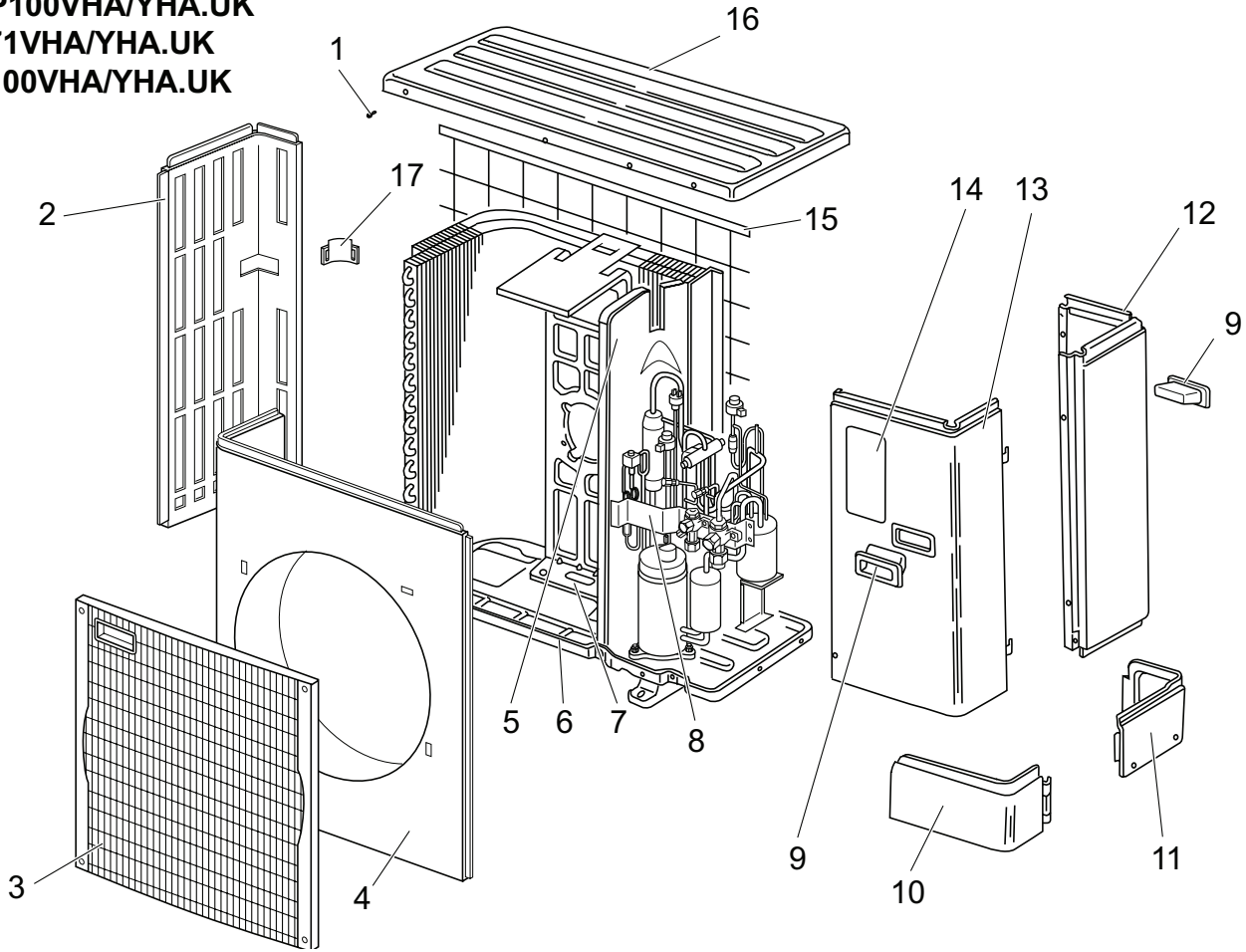
**Note:**

- This manual describes only service data of the outdoor units.
- RoHS compliant products have <G> mark on the spec nameplate.
- For servicing of RoHS compliant products, refer to the RoHS Parts List.


**CONTENTS**

<b>1. TECHNICAL CHANGES</b> .....	<b>2</b>
<b>2. REFERENCE MANUAL</b> .....	<b>4</b>
<b>3. SAFETY PRECAUTION</b> .....	<b>5</b>
<b>4. FEATURES</b> .....	<b>8</b>
<b>5. SPECIFICATIONS</b> .....	<b>9</b>
<b>6. DATA</b> .....	<b>11</b>
<b>7. OUTLINES AND DIMENSIONS</b> .....	<b>15</b>
<b>8. WIRING DIAGRAM</b> .....	<b>19</b>
<b>9. WIRING SPECIFICATIONS</b> .....	<b>23</b>
<b>10. REFRIGERANT SYSTEM DIAGRAM</b> .....	<b>28</b>
<b>11. TROUBLESHOOTING</b> .....	<b>30</b>
<b>12. FUNCTION SETTING</b> .....	<b>66</b>
<b>13. DISASSEMBLY PROCEDURE</b> .....	<b>73</b>
<b>14. PARTS LIST</b> .....	<b>82</b>
<b>15. RoHS PARTS LIST</b> .....	<b>88</b>

**STRUCTURAL PARTS**  
**PUH-P71VHA/YHA.UK**  
**PUH-P100VHA/YHA.UK**  
**PU-P71VHA/YHA.UK**  
**PU-P100VHA/YHA.UK**



No.	Part No.	Part Name	Specification	Q'ty/unit	Remarks (Drawing No.)	Wiring Diagram Symbol	Recom- mended Q'ty
				PUH-P/PU-P 71/100 VHA/YHA.UK			
1	—	F.ST SCREW	(5×10)	31	(DG12F 536H10)		
2	S70 E10 662	SIDE PANEL (L)		1			
3	S70 E20 675	FAN GRILLE		1			
4	S70 E10 668	FRONT PANEL		1			
5	—	SEPARATOR		1	(BK00C 456G04)		
6	S70 E30 686	BASE ASSY		1			
7	S70 E50 130	MOTOR SUPPORT		1			
8	—	VALVE BED ASSY		1	(BK00C 493G01)		
9	S70 30L 655	HANDLE		2			
10	S70 E10 658	COVER PANEL (FRONT)		1			
11	S70 E20 658	COVER PANEL (REAR)		1			
12	S70 E30 662	SIDE PANEL (R)		1			
13	S70 E30 661	SERVICE PANEL		1			
14	S70 001 699	LABEL		1			
15	S70 E10 698	REAR GUARD		1			
16	S70 E10 641	TOP PANEL		1			
17	S70 E10 655	HANDLE		1			

# PARTS LIST ( non-RoHS compliant )

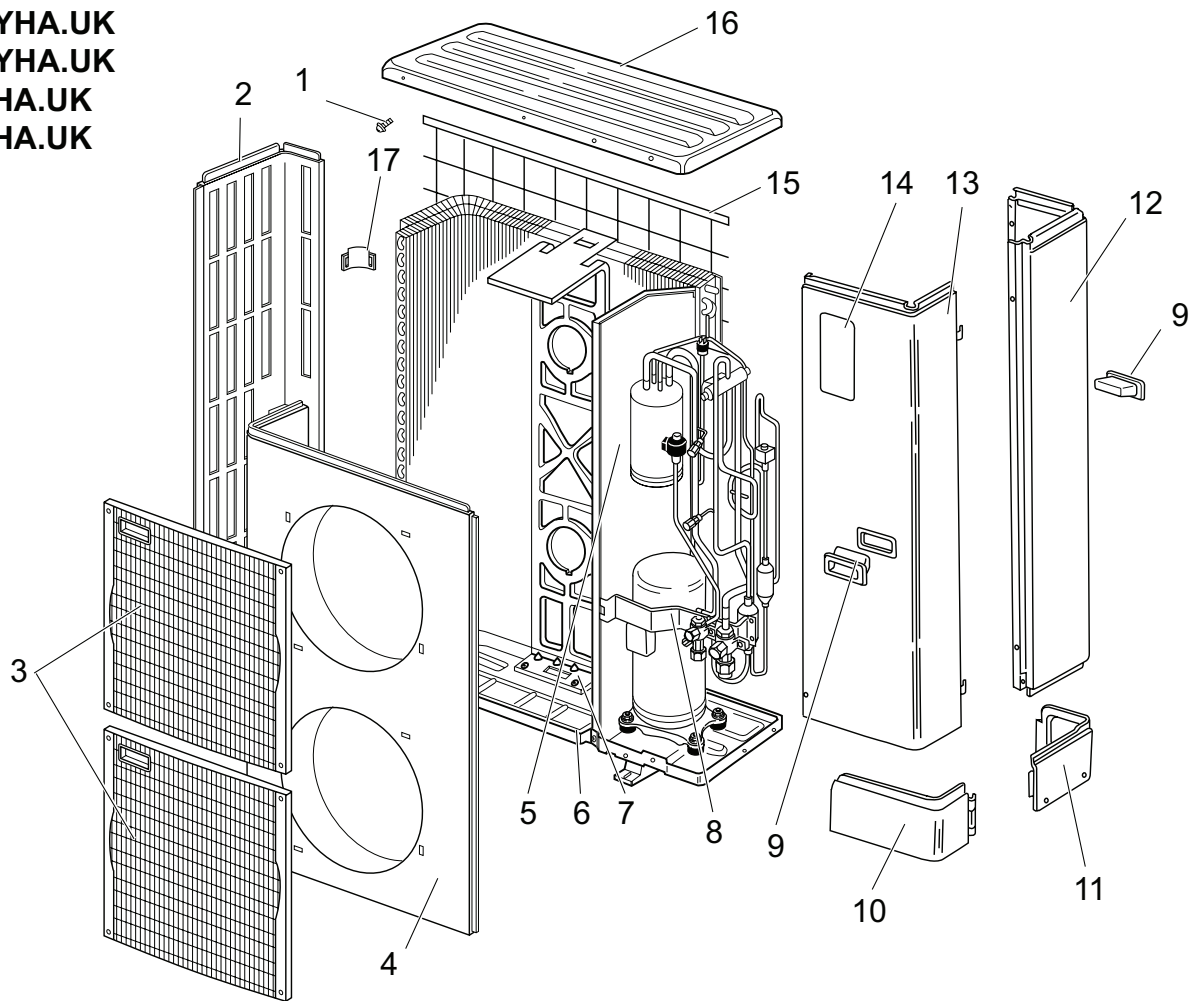
## STRUCTURAL PARTS

PUH-P125YHA.UK

PUH-P140YHA.UK

PU-P125YHA.UK

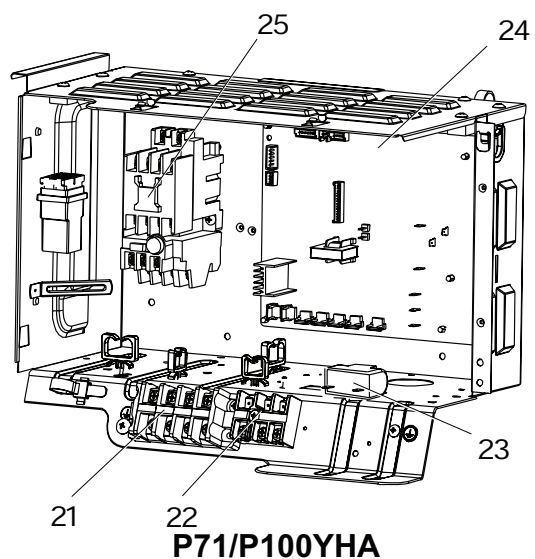
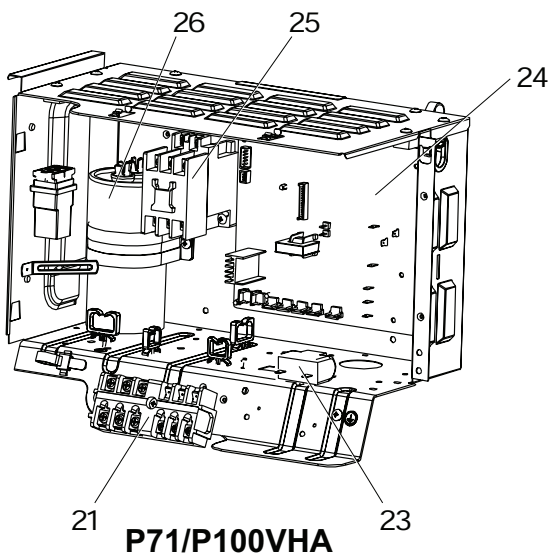
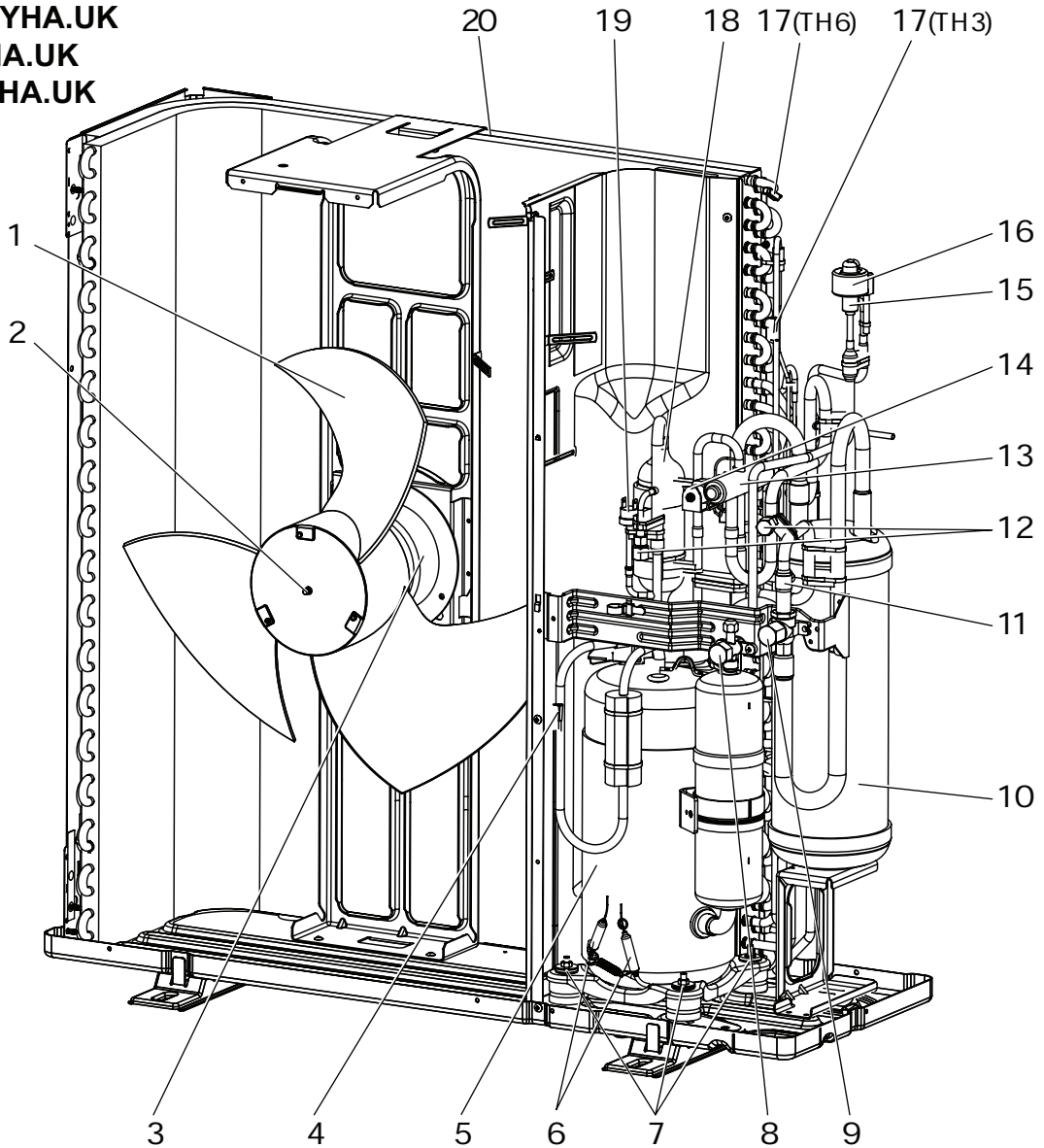
PU-P140YHA.UK



No.	Part No.	Part Name	Specification	Q'ty/unit	Remarks (Drawing No.)	Wiring Diagram Symbol	Recom- mended Q'ty
				PUH-P/PU-P 125/140 YHA.UK			
1	—	F.ST SCREW	(5×10)	46	(DG12F 536H10)		
2	S70 E 20 662	SIDE PANEL (L)		1			
3	S70 E 20 675	FAN GRILLE		2			
4	S70 E 20 668	FRONT PANEL		1			
5	—	SEPARATOR		1	(BK 00C 456G 05)		
6	S70 E 40 686	BASE ASSY		1			
7	S70 E 60 130	MOTOR SUPPORT		1			
8	—	VALVE BED ASSY		1	(BK 00C 493G 01)		
9	S70 30L 655	HANDLE		2			
10	S70 E 10 658	COVER PANEL (FRONT)		1			
11	S70 E 20 658	COVER PANEL (REAR)		1			
12	S70 E 40 662	SIDE PANEL (R)		1			
13	S70 E 40 661	SERVICE PANEL		1			
14	S70 001 699	LABEL		1			
15	S70 E 20 698	REAR GUARD		2			
16	S70 E 10 641	TOP PANEL		1			
17	S70 E 10 655	HANDLE		1			

# PARTS LIST ( non-RoHS compliant )

FUNCTIONAL PARTS  
 PUH-P71VHA/YHA.UK  
 PUH-P100VHA/YHA.UK  
 PU-P71VHA/YHA.UK  
 PU-P100VHA/YHA.UK



# PARTS LIST ( non-RoHS compliant )

No.	Part No.	Part Name	Specification	Q'ty/Unit								Remarks (Drawing No.)	Wiring Diagram Symbol	Recom- mended Q'ty
				PUH-P71		PUH-P100		PU-P71		PU-P100				
				VHA	YHA	VHA	YHA	VHA	YHA	VHA	YHA			
1	S70 K04 115	PROPELLER FAN		1	1	1	1	1	1	1	1			
2	S70 K01 097	NUT	M6	1	1	1	1	1	1	1	1			
3	S70 E40 763	FAN MOTOR		1	1			1	1				MF	
	S70 E50 763	FAN MOTOR				1	1			1	1		MF	
4	S70 E41 202	THERMISTOR (DISCHARGE)		1	1	1	1	1	1	1	1		TH4	
5	S70 E72 400	COMPRESSOR	NN33VAAMT	1				1					MC	
	S70 E73 400	COMPRESSOR	NN33YCAMT		1				1				MC	
	S70 E74 400	COMPRESSOR	NN40VAAMT			1				1			MC	
	S70 E75 400	COMPRESSOR	NN40YCAMT				1				1		MC	
6	S70 E10 236	CRANKCASE HEATER		1	1	1	1	1	1	1	1		CH	
7	S70 E30 401	RUBBER MOUNT		4	4	4	4	4	4	4	4			
8	S70 500 418	STOP VALVE	3/8	1	1	1	1	1	1	1	1			
9	S70 E04 411	BALL VALVE	5/8	1	1	1	1	1	1	1	1			
10	S70 E41 440	ACCUMULATOR		1	1	1	1	1	1	1	1			
11	S70 36L 450	STRAINER	#50	1	1	1	1	1	1	1	1			
12	S70 E02 413	CHARGE PLUG		2	2	2	2	2	2	2	2			
13	S70 E10 403	FOUR-WAY VALVE		1	1	1	1	1	1	1	1			
14	S70 E41 242	SOLENOID VALVE COIL <FOUR-WAY VALVE>		1	1	1	1						21S4	
15	S70 E80 401	EXPANSION VALVE		1	1			1	1					
	S70 E90 401	EXPANSION VALVE				1	1			1	1			
16	S70 E91 402	LINEAR EXPANSION VALVE COIL		1	1	1	1	1	1	1	1		LEV	
17	S70 E42 202	THERMISTOR		1	1	1	1	1	1	1	1		TH3,6	
18	S70 42H 467	MUFFLER		1	1	1	1	1	1	1	1			
19	S70 E10 208	HIGH PRESSURE SWITCH		1	1	1	1	1	1	1	1		63H	
20	S70 E41 408	HEAT EXCHANGER		1	1			1	1					
	S70 E51 408	HEAT EXCHANGER				1	1			1	1			
21	S70 E05 716	TERMINAL BLOCK	6P(L,N,0,S1,S2,S3)	1		1		1		1			TB1	
	S70 E10 716	TERMINAL BLOCK	4P(L1,L2,L3,N)		1		1		1		1		TB1	
22	S70 E04 716	TERMINAL BLOCK	3P(S1,S2,S3)		1		1		1		1		TB2	
23	S70 E41 255	FAN CAPACITOR	3 $\mu$ F 440V	1	1			1	1				C3	
	S70 E51 255	FAN CAPACITOR	6 $\mu$ F 440V			1	1			1	1		C3	
24	S70 FV1 315	CONTROLLER CIRCUIT BOARD		1		1		1		1			O.B	
	S70 FY2 315	CONTROLLER CIRCUIT BOARD			1		1		1		1		O.B	
25	S70 330 708	CONTACTOR		1		1		1		1			52C	
	S70 440 708	CONTACTOR			1				1				51C,52C	
	S70 331 708	CONTACTOR					1				1		51C,52C	
26	S70 E41 723	RUN CAPACITOR	55 $\mu$ F 420V	1				1					C5	
	S70 E51 723	RUN CAPACITOR	60 $\mu$ F 450V			1				1			C5	

# PARTS LIST ( non-RoHS compliant )

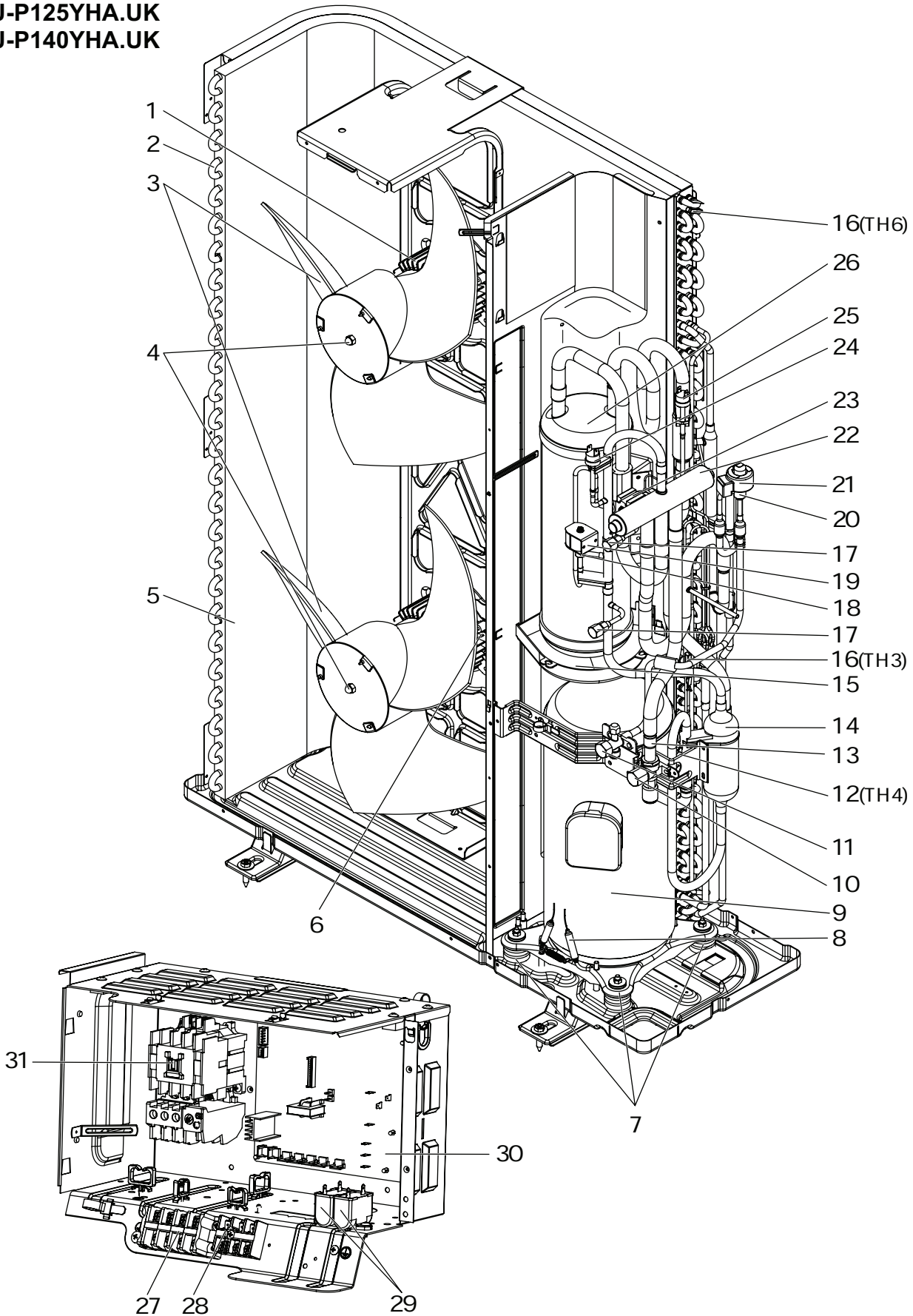
## FUNCTIONAL PARTS

PUH-P125YHA.UK

PUH-P140YHA.UK

PU-P125YHA.UK

PU-P140YHA.UK

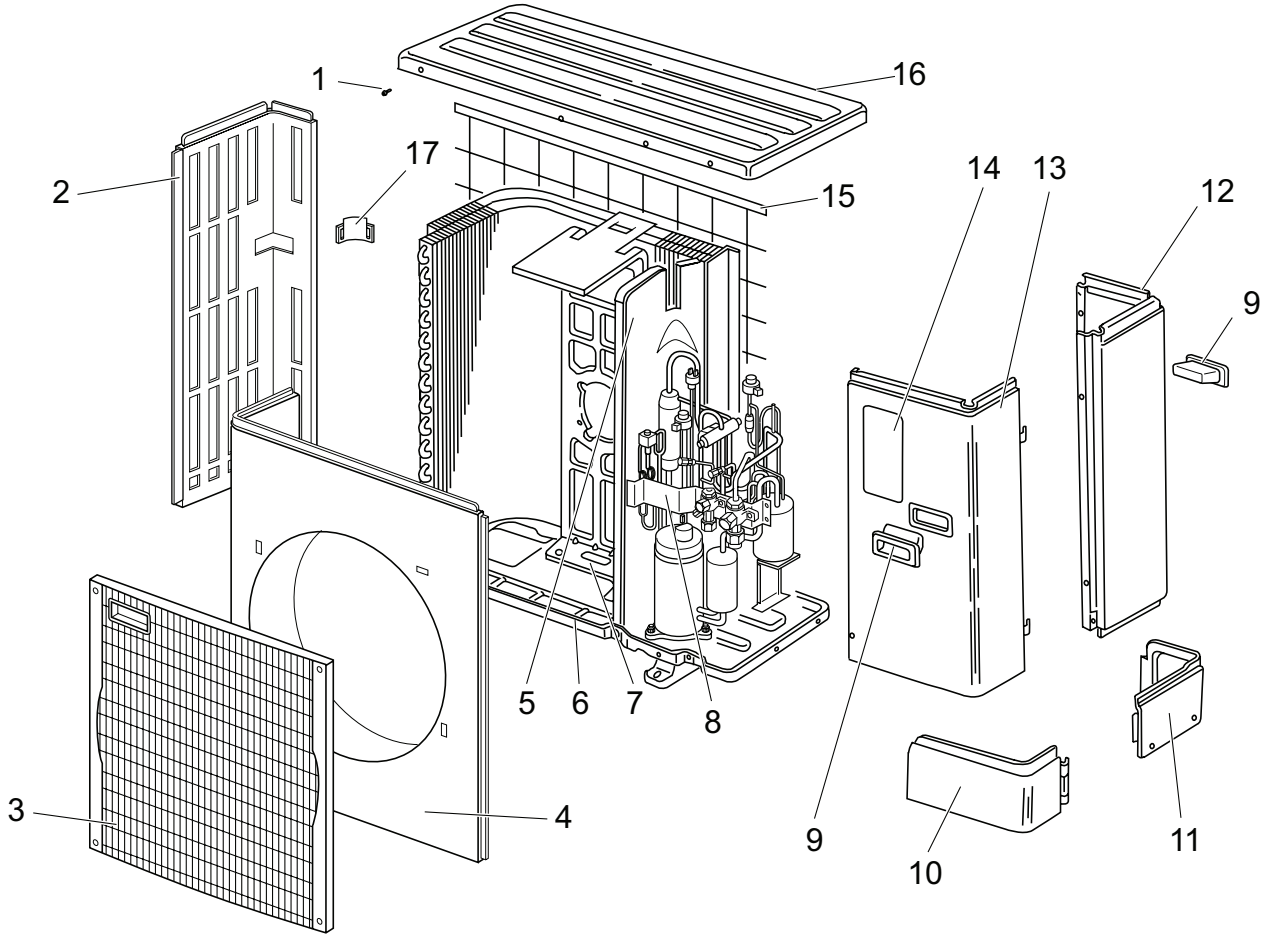


# PARTS LIST ( non-RoHS compliant )

No.	Part No.	Part Name	Specification	Q'ty/unit				Remarks (Drawing No.)	Wiring Diagram Symbol	Recom- mended Q'ty
				PUH-P		PU-P				
				125	140	125	140			
				YHA.UK						
1	S70 E 40 763	FAN MOTOR		1	1	1	1		MF 3	
2	S70 E 81 408	HEAT EXCHANGER (TOP)		1	1	1	1			
3	S70 K04 115	PROPELLER FAN		2	2	2	2			
4	S70 K01 097	NUT	M6	2	2	2	2			
5	S70 E 82 408	HEAT EXCHANGER (UNDER)		1	1	1	1			
6	S70 E 60 763	FAN MOTOR		1	1	1	1		MF 4	
7	S70 E 02 004	RUBBER MOUNT		4	4	4	4			
8	S70 E 20 236	CRANKCASE HEATER		1	1	1	1		CH	
9	S70 E 76 400	COMPRESSOR	BN52YEGMT	1		1			MC	
	S70 E 77 400	COMPRESSOR	BN65YEGMT		1		1		MC	
10	S70 E 04 411	BALL VALVE	5/8	1	1	1	1			
11	S70 500 418	STOP VALVE	3/8	1	1	1	1			
12	S70 E 43 202	THERMISTOR (DISCHARGE)		1	1	1	1		TH4	
13	S70 36L 450	STRAINER	#50	1	1	1	1			
14	S70 42H 467	MUFFLER		1	1	1	1			
15	S70 B01 529	ACCUMULATOR DRAIN PAN		1	1	1	1			
16	S70 E 44 202	THERMISTOR		1	1	1	1		TH3,6	
17	S70 E 02 413	CHARGE PLUG		2	2	2	2			
18	S70 282 403	BYPASS VALVE		1	1	1	1			
19	S70 E 03 242	SOLENOID COIL (BYPASS VALVE)		1	1	1	1		SV	
20	S70 E 90 401	EXPANSION VALVE		1	1	1	1			
21	S70 E 91 401	LINEAR EXPANSION VALVE COIL		1	1	1	1		LEV	
22	S70 E 03 403	FOUR-WAY VALVE		1	1	1	1			
23	S70 E 43 241	SOLENOID COIL (FOUR-WAY VALVE)		1	1				21S4	
24	S70 E 10 208	HIGH PRESSURE SWITCH		1	1	1	1		63H	
25	S70 H20 209	LOW PRESSURE SWITCH		1	1	1	1		63L	
26	S70 E 61 440	ACCUMULATOR		1	1	1	1			
27	S70 E 10 716	TERMINAL BLOCK	4P(L1,L2,L3,N)	1	1	1	1		TB1	
28	S70 E 04 716	TERMINAL BLOCK	3P(S1,S2,S3)	1	1	1	1		TB2	
29	S70 E 41 255	FAN CAPACITOR	3 $\mu$ F 440V	2		2			C3,C4	
	S70 31L 255	FAN CAPACITOR	3.5 $\mu$ F 440V		2		2		C3,C4	
30	S70 FY2 315	CONTROLLER CIRCUIT BOARD		1	1	1	1		O.B.	
31	S70 640 708	CONTACTOR		1		1			51C,52C	
	S70 540 708	CONTACTOR			1		1		51C,52C	

STRUCTURAL PARTS

PUH-P71VHA/YHA.UK    PU-P71VHA/YHA.UK    PUH-P100VHA/YHA.UK    PU-P100VHA/YHA.UK  
 PUH-P71VHA/YHA<sub>1</sub>.UK    PU-P71VHA/YHA<sub>1</sub>.UK    PUH-P100VHA/YHA<sub>1</sub>.UK    PU-P100VHA/YHA<sub>1</sub>.UK  
 PUH-P71VHA/YHA#2.UK    PU-P71VHA/YHA#2.UK    PUH-P100VHA/YHA#2.UK    PU-P100VHA/YHA#2.UK



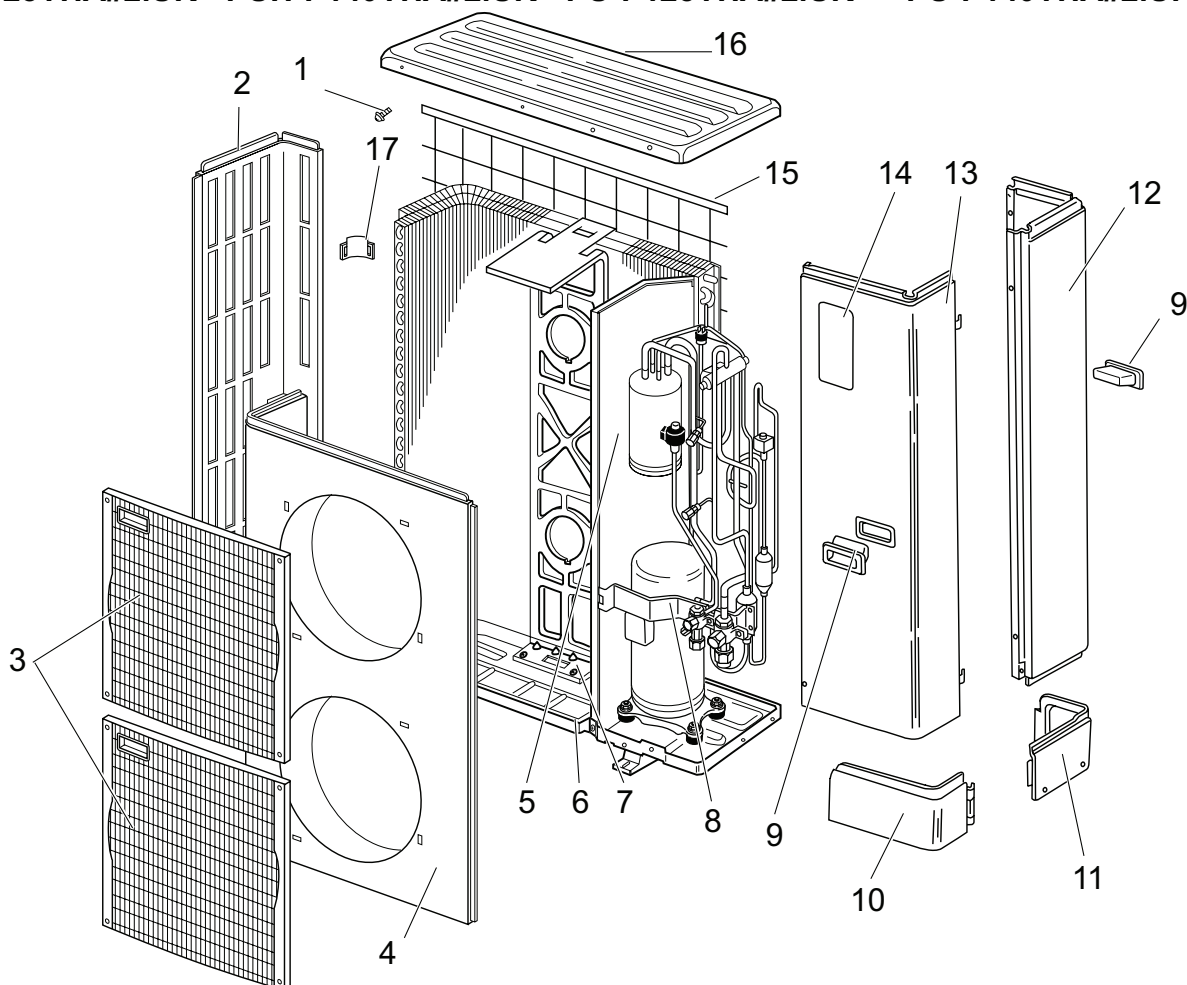
No.	RoHS	Part No.	Part Name	Specification	Q.ty/unit		Remarks (Drawing No.)	Wring Diagram Symbol	Recom- mended Q'ty
					PUH-P/PU-P				
					71/100				
					VHA/YHA.UK	VHA/YHA <sub>1</sub> .UK	VHA/YHA#2UK		
1	G	—	F.ST SCREW	(5×10)	31	31	(DG12F 536H10)		
2	G	S70 E 10 662	SIDE PANEL (L)		1	1			
3	G	S70 E 20 675	FAN GRILLE		1	1			
4	G	S70 E 10 668	FRONT PANEL		1	1			
5	G	—	SEPARATOR		1	1	(BK 00C 456G 07)		
6	G	S70 E 30 686	BASE ASSY		1	1			
7	G	S70 E 50 130	MOTOR SUPPORT		1	1			
8	G	—	VALVE BED ASSY		1	1	(BK 00C 493G 01)		
9	G	S70 30L 655	HANDLE		2	2			
10	G	S70 E 10 658	COVER PANEL (FRONT)		1	1			
11	G	S70 E 20 658	COVER PANEL (REAR)		1	1			
12	G	S70 E 30 662	SIDE PANEL (R)		1	1			
13	G	S70 E 30 661	SERVICE PANEL		1	1			
14	G	S70 001 699	LABEL		1	1			
15	G	S70 E 10 698	REAR GUARD		1	1			
16	G	S70 E 10 641	TOP PANEL		1	1			
17	G	S70 E 10 655	HANDLE		1	1			



# RoHS PARTS LIST

## STRUCTURAL PARTS

PUH-P125YHA.UK	PUH-P140YHA.UK	PU-P125YHA.UK	PU-P140YHA.UK
PUH-P125YHA <sub>1</sub> .UK	PUH-P140YHA <sub>1</sub> .UK	PU-P125YHA <sub>1</sub> .UK	PU-P140YHA <sub>1</sub> .UK
PUH-P125YHA#2.UK	PUH-P140YHA#2.UK	PU-P125YHA#2.UK	PU-P140YHA#2.UK



No.	RoHS	Part No.	Part Name	Specification	Q'ty/unit		Remarks (Drawing No.)	Wiring Diagram Symbol	Recom- mended Q'ty
					PUH-P/PU-P				
					125/140				
					YHA.UK	YHA#2UK			
1	G	—	F.ST SCREW	(5×10)	46	46	(DG 12F 536H10)		
2	G	S70 E 20 662	SIDE PANEL (L)		1	1			
3	G	S70 E 20 675	FAN GRILLE		2	2			
4	G	S70 E 20 668	FRONT PANEL		1	1			
5	G	—	SEPARATOR		1	1	(BK OOC 456G 10)		
6	G	S70 E 40 686	BASE ASSY		1	1			
7	G	S70 E 60 130	MOTOR SUPPORT		1	1			
8	G	—	VALVE BED ASSY		1	1	(BK OOC 493G 01)		
9	G	S70 30L 655	HANDLE		2	2			
10	G	S70 E 10 658	COVER PANEL (FRONT)		1	1			
11	G	S70 E 20 658	COVER PANEL (REAR)		1	1			
12	G	S70 E 40 662	SIDE PANEL (R)		1	1			
13	G	S70 E 40 661	SERVICE PANEL		1	1			
14	G	S70 001 699	LABEL		1	1			
15	G	S70 E 20 698	REAR GUARD		2	2			
16	G	S70 E 10 641	TOP PANEL		1	1			
17	G	S70 E 10 655	HANDLE		1	1			

# RoHS PARTS LIST

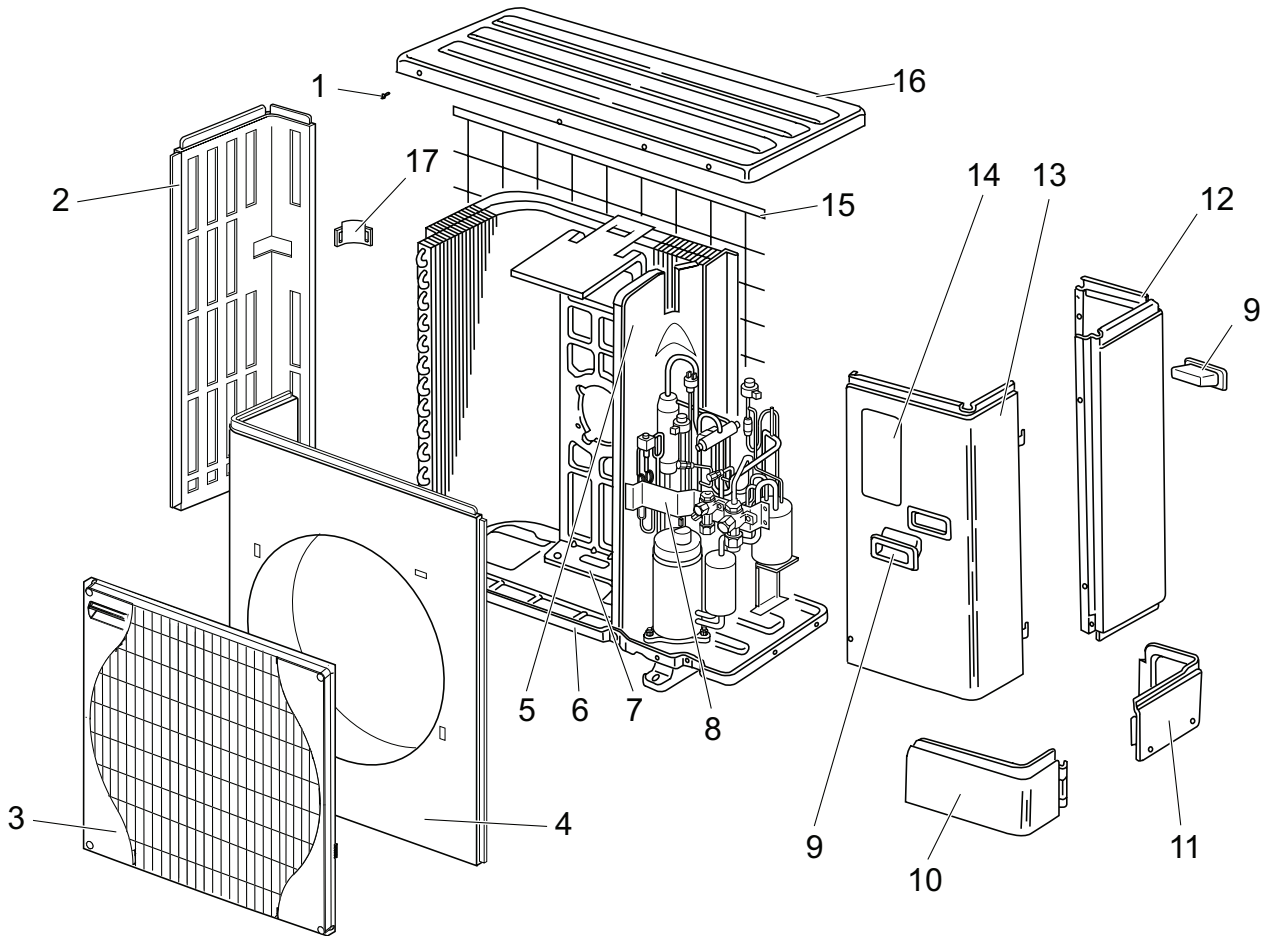
## STRUCTURAL PARTS

PUH-P71VHA/YHAR3.UK

PUH-P100VHA/YHAR3.UK

PU-P71VHA/YHAR3.UK

PU-P100VHA/YHAR3.UK

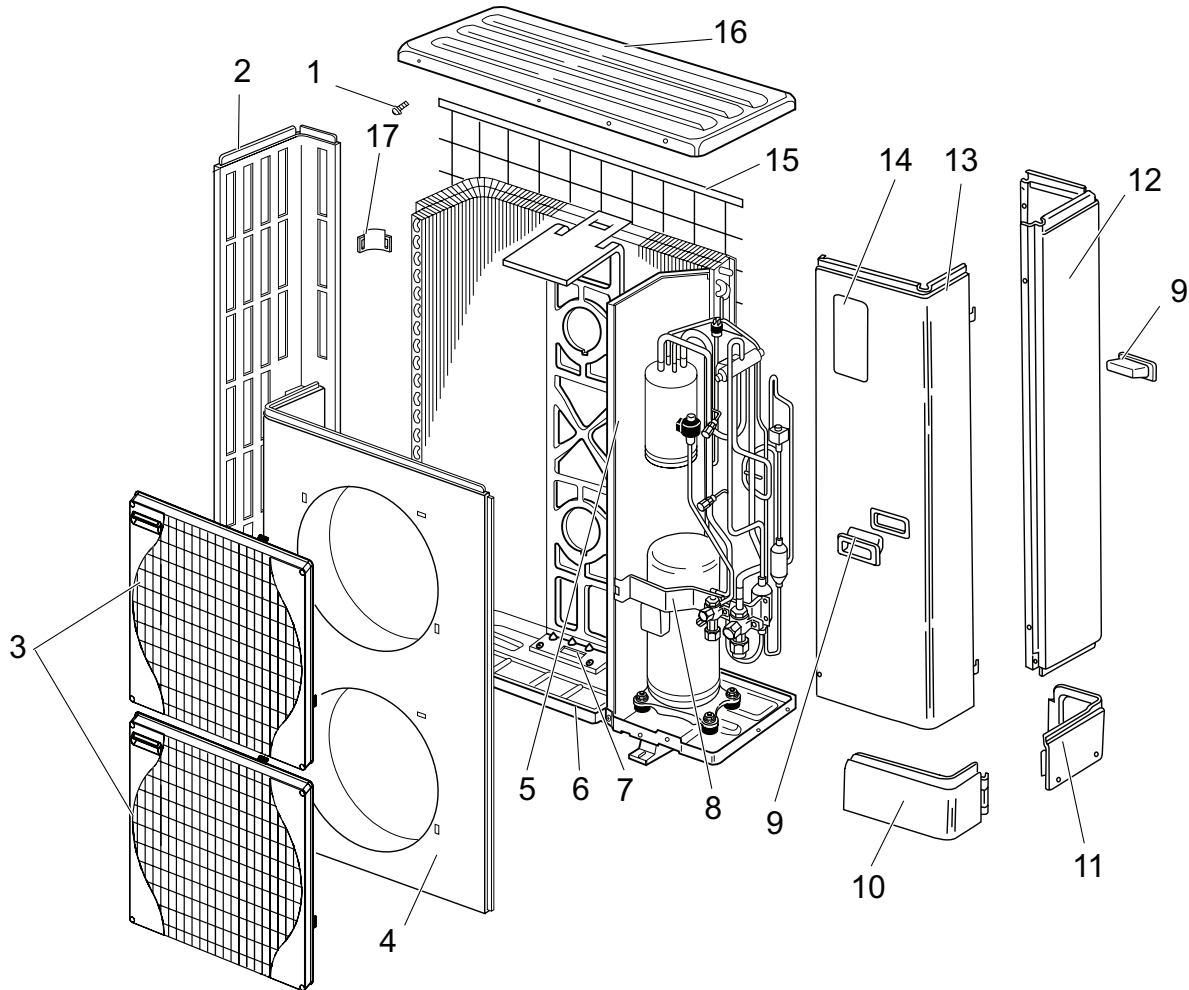


No.	RoHS	Part No.	Part Name	Specification	Q'ty/unit	Remarks (Drawing No.)	Wiring Diagram Symbol	Recom- mended Q'ty
					PUH-P/PU-P 71/100 VHA/YHAR3UK			
1	G	—	F.ST SCREW	(5×10)	31	(DG12F 536H10)		
2	G	S70 E11 662	SIDE PANEL (L)		1			
3	G	S70 E30 675	FAN GRILLE		1			
4	G	S70 E30 668	FRONT PANEL		1			
5	G	—	SEPARATOR		1	(BK OOC456G13)		
6	G	S70 E21 686	BASE ASSY		1			
7	G	S70 E50 130	MOTOR SUPPORT		1			
8	G	S71 OVB 001	VALVE BED ASSY		1			
9	G	S70 30L 655	HANDLE		2			
10	G	S70 E30 658	COVER PANEL (FRONT)		1			
11	G	S70 E40 658	COVER PANEL (REAR)		1			
12	G	S70 E31 662	SIDE PANEL (R)		1			
13	G	S70 E50 661	SERVICE PANEL		1			
14	G	S70 001 699	LABEL		1			
15	G	S70 E10 698	REAR GUARD		1			
16	G	S70 E20 641	TOP PANEL		1			
17	G	S70 E10 655	HANDLE		1			

# RoHS PARTS LIST

## STRUCTURAL PARTS

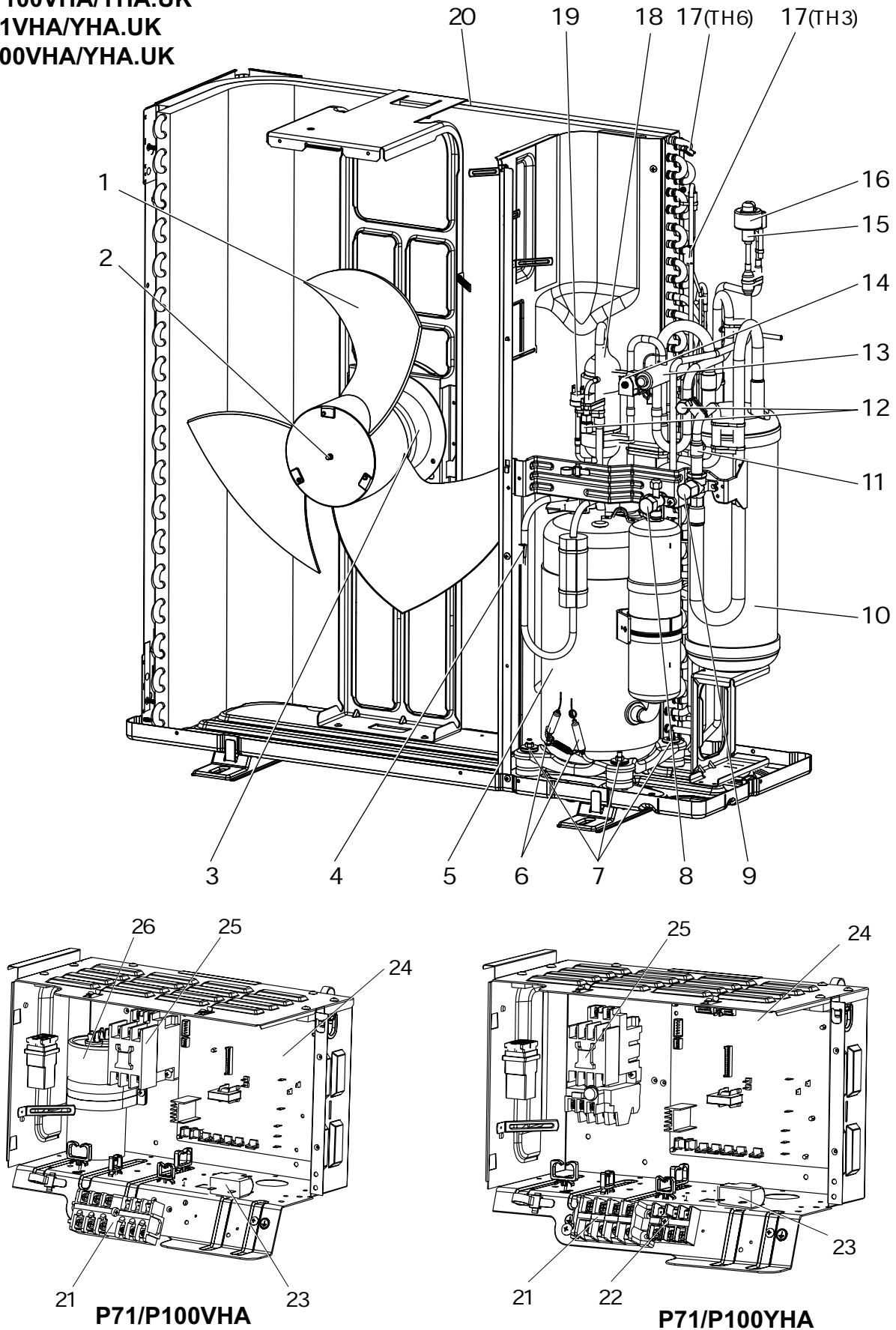
PUH-P125YHAR3.UK	PU-P125YHAR3.UK	PUH-P140YHAR3.UK	PU-P140YHAR3.UK
PUH-P125YHAR4.UK	PU-P125YHAR4.UK	PUH-P140YHAR4.UK	PU-P140YHAR4.UK
PUH-P125YHAR5.UK	PU-P125YHAR5.UK	PUH-P140YHAR5.UK	PU-P140YHAR5.UK



No.	RoHS	Part No.	Part Name	Specification	Q'ty/unit		Remarks (Drawing No.)	Wring Diagram Symbol	Recom- mended Q'ty
					PUH-P/PU-P 125/140	YHAR3UK YHAR4UK YHAR5UK			
1	G	—	F.ST SCREW	(5×10)	46		(DG 12F 536H12)		
2	G	S70 E 21 662	SIDE PANEL (L)		1				
3	G	S70 E 30 675	FAN GRILLE		2				
4	G	S70 E 40 668	FRONT PANEL		1				
5	G	—	SEPARATOR		1		(BK 00C 456G 52)		
6	G	S70 E 31 686	BASE ASSY		1				
7	G	S70 E 60 130	MOTOR SUPPORT		1				
8	G	S71 OVB 001	VALVE BED ASSY		1				
9	G	S70 30L 655	HANDLE		2				
10	G	S70 E 30 658	COVER PANEL (FRONT)		1				
11	G	S70 E 40 658	COVER PANEL (REAR)		1				
12	G	S70 E 41 662	SIDE PANEL (R)		1				
13	G	S70 E 60 661	SERVICE PANEL		1				
14	G	S70 001 699	LABEL		1				
15	G	S70 E 20 698	REAR GUARD		2				
16	G	S70 E 20 641	TOP PANEL		1				
17	G	S70 E 10 655	HANDLE		1				

# RoHS PARTS LIST

FUNCTIONAL PARTS  
 PUH-P71VHA/YHA.UK  
 PUH-P100VHA/YHA.UK  
 PU-P71VHA/YHA.UK  
 PU-P100VHA/YHA.UK

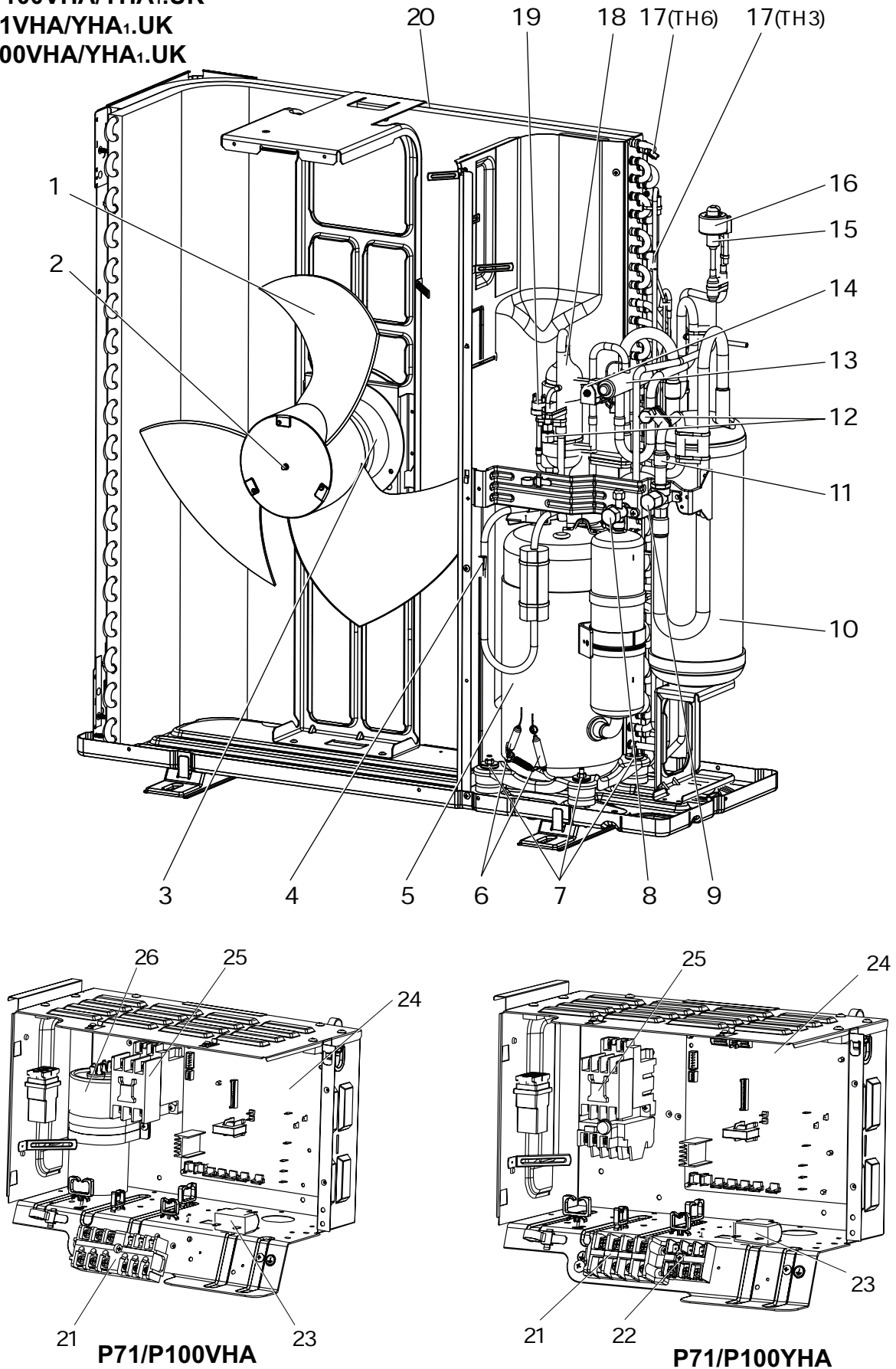


# RoHS PARTS LIST

No.	RoHS	Part No.	Part Name	Specification	Q'ty/unit								Remarks (Drawing No.)	Wiring Diagram Symbol
					PUH-P71		PUH-P100		PU-P71		PU-P100			
					VHA	YHA	VHA	YHA	VHA	YHA	VHA	YHA		
.UK														
1	G	S70 K04 115	PROPELLER FAN		1	1	1	1	1	1	1	1		
2	G	S70 K01 097	NUT	M6	1	1	1	1	1	1	1	1		
3	G	S70 E40 763	FAN MOTOR		1	1			1	1				MF
	G	S70 E50 763	FAN MOTOR				1	1			1	1		MF
4	G	S70 E41 202	THERMISTOR (DISCHARGE)		1	1	1	1	1	1	1	1		TH4
5	G	S70 E72 400	COMPRESSOR	NN33VAAMT	1				1					MC
	G	S70 E73 400	COMPRESSOR	NN33YCAMT		1				1				MC
	G	S70 E74 400	COMPRESSOR	NN40VAAMT			1				1			MC
	G	S70 E75 400	COMPRESSOR	NN40YCAMT				1				1		MC
6	G	S70 E10 236	CRANKCASE HEATER		1	1	1	1	1	1	1	1		CH
7	G	S70 E30 401	RUBBER MOUNT		4	4	4	4	4	4	4	4		
8	G	S70 500 418	STOP VALVE	3/8	1	1	1	1	1	1	1	1		
9	G	S70 E04 411	BALL VALVE	5/8	1	1	1	1	1	1	1	1		
10	G	S70 E41 440	ACCUMULATOR		1	1	1	1	1	1	1	1		
11	G	S70 36L 450	STRAINER	#50	1	1	1	1	1	1	1	1		
12	G	S70 E02 413	CHARGE PLUG		2	2	2	2	2	2	2	2		
13	G	S70 E10 403	FOUR-WAY VALVE		1	1	1	1	1	1	1	1		
14	G	S70 E41 242	SOLENOID VALVE COIL <FOUR-WAY VALVE>		1	1	1	1						21S4
	G	S70 E80 401	EXPANSION VALVE		1	1			1	1				
15	G	S70 E90 401	EXPANSION VALVE				1	1			1	1		
	G	S70 E91 402	LINEAR EXPANSION VALVE COIL		1	1	1	1	1	1	1	1		LEV
17	G	S70 E42 202	THERMISTOR (LIQUID TEMP, COND.,EVA. TEMP)		1	1	1	1	1	1	1	1		TH3,6
18	G	S70 42H 467	MUFFLER		1	1	1	1	1	1	1	1		
19	G	S70 E10 208	HIGH PRESSURE SWTCH		1	1	1	1	1	1	1	1		63H
20	G	S70 E41 408	HEAT EXCHANGER		1	1			1	1				
	G	S70 E51 408	HEAT EXCHANGER				1	1			1	1		
21	G	S70 E05 716	TERMNAL BLOCK	6P(L,N,0,S1,S2,S3)	1		1		1		1			TB1
	G	S70 E10 716	TERMNAL BLOCK	4P(L1,L2,L3,N)		1		1		1		1		TB1
22	G	S70 E04 716	TERMNAL BLOCK	3P(S1,S2,S3)		1		1		1		1		TB2
23	G	S70 E41 255	FAN CAPACITOR	3μF 440V	1	1			1	1				C3
	G	S70 E51 255	FAN CAPACITOR	6μF 440V			1	1			1	1		C3
24	G	S70 FV1 315	CONTROLLER CIRCUIT BOARD		1		1		1		1			O.B
	G	S70 FY2 315	CONTROLLER CIRCUIT BOARD			1		1		1		1		O.B
25	G	S70 330 708	CONTACTOR		1		1		1		1			52C
	G	S70 440 708	CONTACTOR			1			1					51C,52C
	G	S70 331 708	CONTACTOR				1				1			51C,52C
26	G	S70 E41 723	RUN CAPACITOR	55μF 420V	1				1					C5
	G	S70 E51 723	RUN CAPACITOR	60μF 450V			1				1			C5

# RoHS PARTS LIST

FUNCTIONAL PARTS  
 PUH-P71VHA/YHA1.UK  
 PUH-P100VHA/YHA1.UK  
 PU-P71VHA/YHA1.UK  
 PU-P100VHA/YHA1.UK

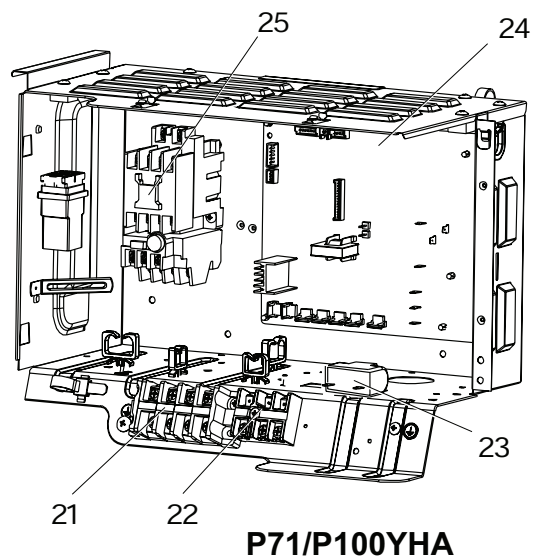
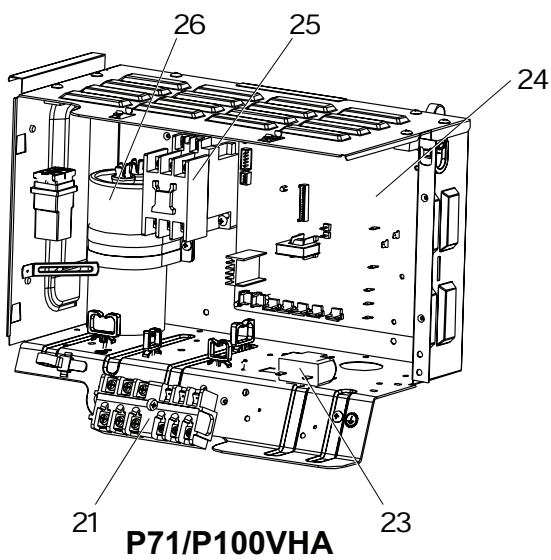
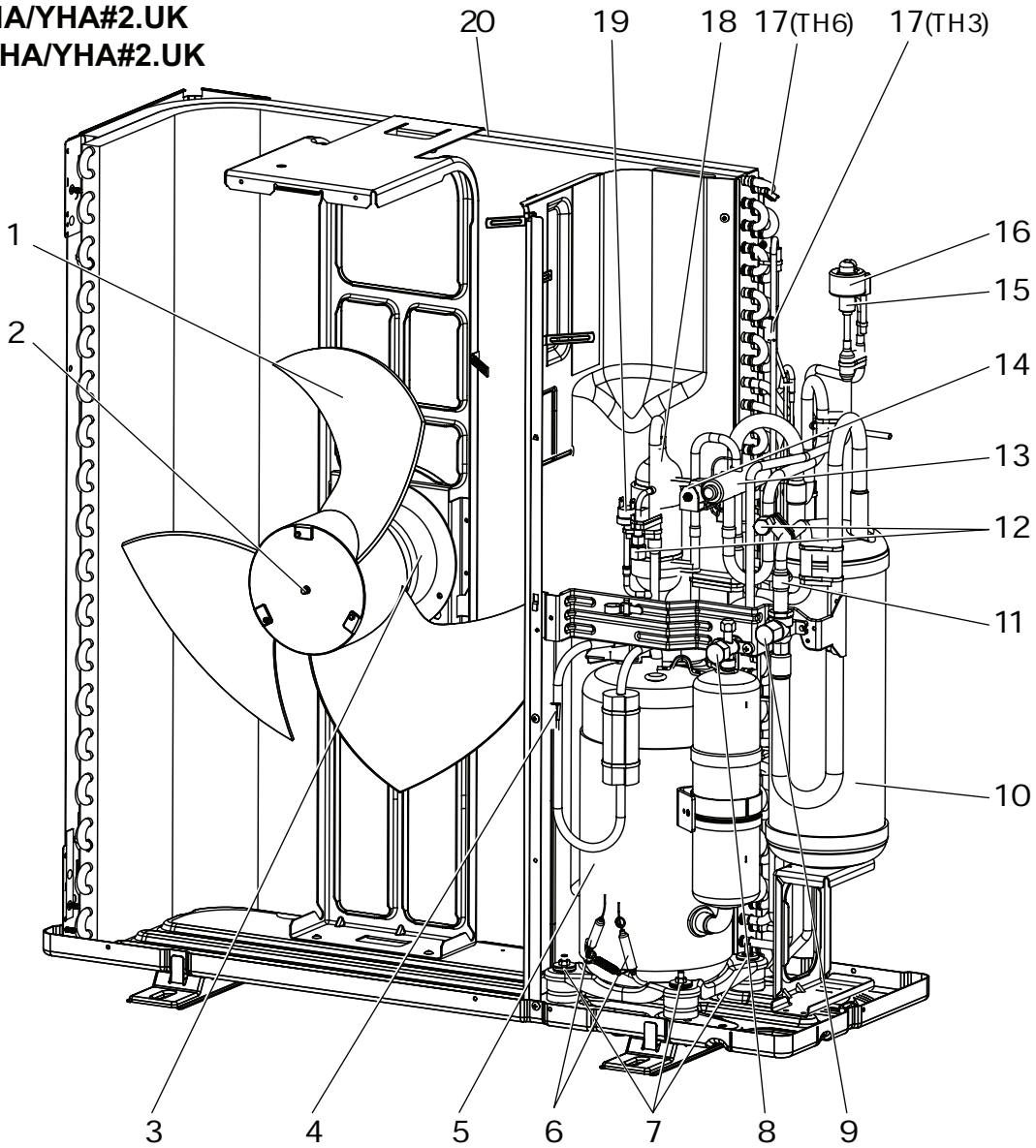


# RoHS PARTS LIST

No.	RoHS	Part No.	Part Name	Specification	Q'ty/unit								Remarks (Drawing No.)	Wiring Diagram Symbol
					PUH-P71		PUH-P100		PU-P71		PU-P100			
					V	Y	V	Y	V	Y	V	Y		
HA1.UK														
1	G	S70 K04 115	PROPELLER FAN		1	1	1	1	1	1	1	1		
2	G	S70 K01 097	NUT	M6	1	1	1	1	1	1	1	1		
3	G	S70 E 40 763	FAN MOTOR		1	1			1	1				MF
	G	S70 E 50 763	FAN MOTOR				1	1			1	1		MF
4	G	S70 E 41 202	THERMSTOR (DISCHARGE)		1	1	1	1	1	1	1	1		TH4
5	G	S70 E 72 400	COMPRESSOR	NN33VAAMT	1				1					MC
	G	S70 E 73 400	COMPRESSOR	NN33YCAMT		1				1				MC
	G	S70 E 74 400	COMPRESSOR	NN40VAAMT			1				1			MC
	G	S70 E 75 400	COMPRESSOR	NN40YCAMT				1				1		MC
6	G	S70 E 10 236	CRANKCASE HEATER		1	1	1	1	1	1	1	1		CH
7	G	S70 E 30 401	RUBBER MOUNT		4	4	4	4	4	4	4	4		
8	G	S70 500 418	STOP VALVE	3/8	1	1	1	1	1	1	1	1		
9	G	S70 E 04 411	BALL VALVE	5/8	1	1	1	1	1	1	1	1		
10	G	S70 E 41 440	ACCUMULATOR		1	1	1	1	1	1	1	1		
11	G	S70 36L 450	STRAINER	#50	1	1	1	1	1	1	1	1		
12	G	S70 E 02 413	CHARGE PLUG		2	2	2	2	2	2	2	2		
13	G	S70 E 10 403	FOUR-WAY VALVE		1	1	1	1	1	1	1	1		
14	G	S70 E 41 242	SOLENOID VALVE COIL <FOUR-WAY VALVE>		1	1	1	1						21S 4
15	G	S70 E 80 401	EXPANSION VALVE		1	1			1	1				
	G	S70 E 90 401	EXPANSION VALVE				1	1			1	1		
16	G	S70 E 91 402	LINEAR EXPANSION VALVE COIL		1	1	1	1	1	1	1	1		LEV
17	G	S70 E 42 202	THERMSTOR (LIQUID TEMP, 2-PHASE PIPE TEMP)		1	1	1	1	1	1	1	1		TH3,6
18	G	S70 42H 467	MUFFLER		1	1	1	1	1	1	1	1		
19	G	S70 E 10 208	HIGH PRESSURE SWITCH		1	1	1	1	1	1	1	1		63H
20	G	S70 E 41 408	HEAT EXCHANGER		1	1			1	1				
	G	S70 E 51 408	HEAT EXCHANGER				1	1			1	1		
21	G	S70 E 05 716	TERMINAL BLOCK	6P(L,N,0,S1,S2,S3)	1		1		1		1			TB1
	G	S70 E 10 716	TERMINAL BLOCK	4P(L1,L2,L3,N)		1		1		1		1		TB1
22	G	S70 E 04 716	TERMINAL BLOCK	3P(S1,S2,S3)		1		1		1		1		TB2
23	G	S70 E 41 255	FAN CAPACITOR	3 $\mu$ F 440V	1	1			1	1				C3
	G	S70 E 51 255	FAN CAPACITOR	6 $\mu$ F 440V			1	1			1	1		C3
24	G	S70 FV8 315	CONTROLLER CIRCUIT BOARD		1		1		1		1			O.B
	G	S70 FY9 315	CONTROLLER CIRCUIT BOARD			1		1		1		1		O.B
25	G	S70 330 708	CONTACTOR		1		1		1		1			52C
	G	S70 440 708	CONTACTOR			1			1					51C,52C
	G	S70 331 708	CONTACTOR				1				1			51C,52C
26	G	S70 E 41 723	RUN CAPACITOR	55 $\mu$ F 420V	1				1					C5
	G	S70 E 51 723	RUN CAPACITOR	60 $\mu$ F 450V			1				1			C5

# RoHS PARTS LIST

FUNCTIONAL PARTS  
 PUH-P71VHA/YHA#2.UK  
 PUH-P100VHA/YHA#2.UK  
 PU-P71VHA/YHA#2.UK  
 PU-P100VHA/YHA#2.UK





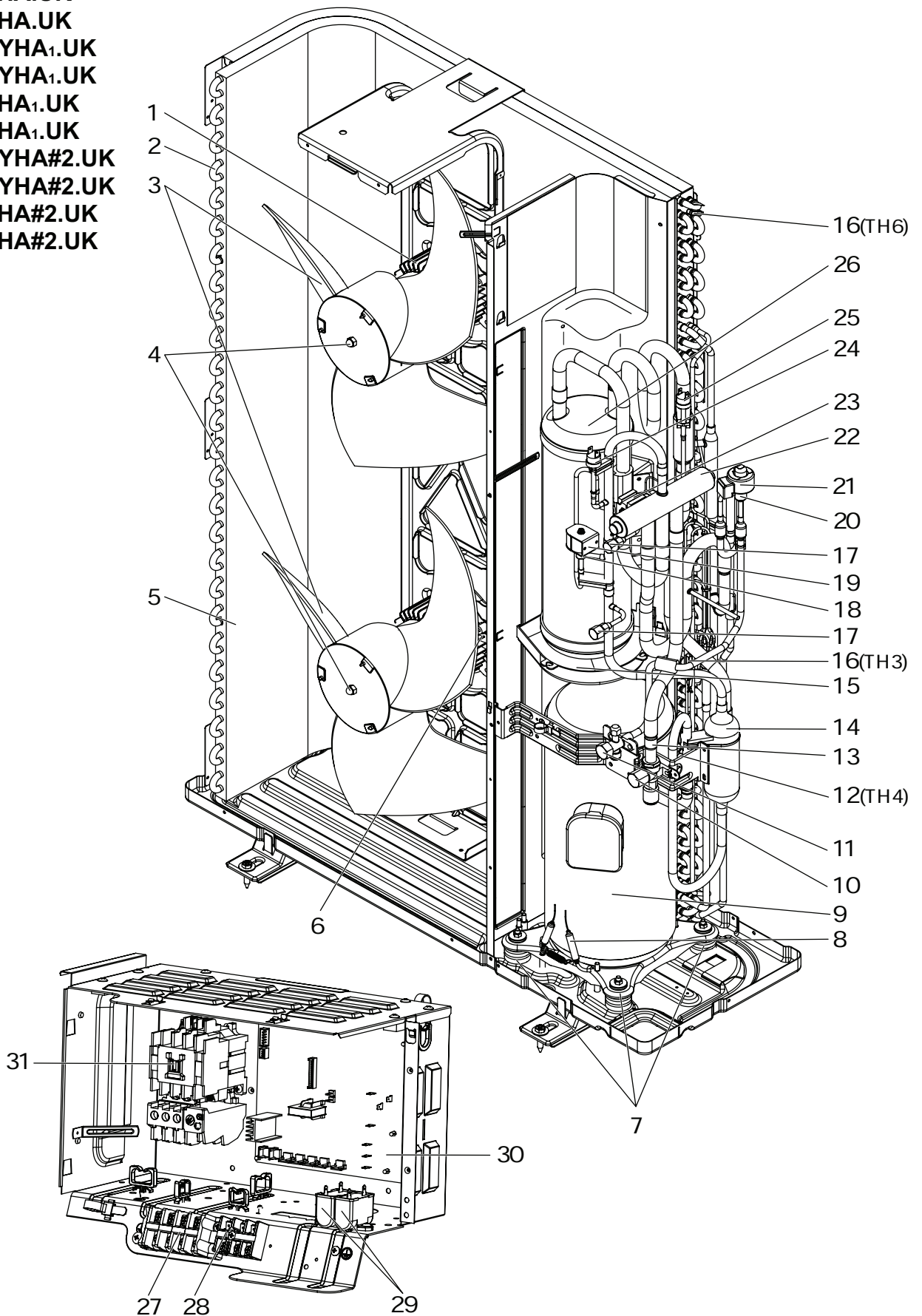
# RoHS PARTS LIST

No.	RoHS	Part No.	Part Name	Specification	Q'ty/unit								Remarks (Drawing No.)	Wiring Diagram Symbol
					PUH-P71		PUH-P100		PU-P71		PU-P100			
					V	Y	V	Y	V	Y	V	Y		
1	G	S70 K04 115	PROPELLER FAN		1	1	1	1	1	1	1	1		
2	G	S70 K01 097	NUT	M6	1	1	1	1	1	1	1	1		
3	G	S70 E 40 763	FAN MOTOR		1	1			1	1				MF
	G	S70 E 50 763	FAN MOTOR				1	1			1	1		MF
4	G	S70 E 41 202	THERMSTOR (DISCHARGE)		1	1	1	1	1	1	1	1		TH4
5	G	S70 E 72 400	COMPRESSOR	NN33VAAMT	1				1					MC
	G	S70 E 73 400	COMPRESSOR	NN33YCAMT		1				1				MC
	G	S70 E 74 400	COMPRESSOR	NN40VAAMT			1				1			MC
	G	S70 E 75 400	COMPRESSOR	NN40YCAMT				1				1		MC
6	G	S70 E 10 236	CRANKCASE HEATER		1	1	1	1	1	1	1	1		CH
7	G	S70 E 30 401	RUBBER MOUNT		4	4	4	4	4	4	4	4		
8	G	S70 500 418	STOP VALVE	3/8	1	1	1	1	1	1	1	1		
9	G	S70 E04 411	BALL VALVE	5/8	1	1	1	1	1	1	1	1		
10	G	S70 E 41 440	ACCUMULATOR		1	1	1	1	1	1	1	1		
11	G	S70 36L 450	STRAINER	#50	1	1	1	1	1	1	1	1		
12	G	S70 E02 413	CHARGE PLUG		2	2	2	2	2	2	2	2		
13	G	S70 E 10 403	FOUR-WAY VALVE		1	1	1	1	1	1	1	1		
14	G	S70 E 41 242	SOLENOID VALVE COIL <FOUR-WAY VALVE >		1	1	1	1						21S 4
15	G	S70 E 80 401	EXPANSION VALVE		1	1			1	1				
	G	S70 E 90 401	EXPANSION VALVE				1	1			1	1		
16	G	S70 E 91 401	LINEAR EXPANSION VALVE COIL		1	1	1	1	1	1	1	1		LEV
17	G	S70 E 42 202	THERMSTOR (LIQUID TEMP, 2PHASE PIPE TEMP)		1	1	1	1	1	1	1	1		TH3,6
18	G	S70 42H 467	MUFFLER		1	1	1	1	1	1	1	1		
19	G	S70 E 10 208	HIGH PRESSURE SWITCH		1	1	1	1	1	1	1	1		63H
20	G	S70 E 41 408	HEAT EXCHANGER		1	1			1	1				
	G	S70 E 51 408	HEAT EXCHANGER				1	1			1	1		
21	G	S70 E07 716	TERMINAL BLOCK	6P(L,N,0,S1,S2,S3)	1		1		1		1			TB1
	G	S70 E 10 716	TERMINAL BLOCK	4P(L1,L2,L3,N)	1		1		1		1			TB1
22	G	S70 E04 716	TERMINAL BLOCK	3P(S1,S2,S3)	1		1		1		1			TB2
23	G	S70 E 41 255	FAN CAPACITOR	3 $\mu$ F 440V	1	1			1	1				C3
	G	S70 E 51 255	FAN CAPACITOR	6 $\mu$ F 440V			1	1			1	1		C3
24	G	S70 FV8 315	CONTROLLER CIRCUIT BOARD		1		1		1		1			O.B
	G	S70 FY9 315	CONTROLLER CIRCUIT BOARD			1		1		1		1		O.B
25	G	S70 541 708	CONTACTOR			1				1				51C,52C
	G	S70 542 708	CONTACTOR				1				1			51C,52C
	G	S70 546 708	CONTACTOR		1		1		1		1			52C
26	G	S70 E 41 723	RUN CAPACITOR	55 $\mu$ F 420V	1				1					C5
	G	S70 E 51 723	RUN CAPACITOR	60 $\mu$ F 450V			1				1			C5

# RoHS PARTS LIST

## FUNCTIONAL PARTS

PUH-P125YHA.UK  
 PUH-P140YHA.UK  
 PU-P125YHA.UK  
 PU-P140YHA.UK  
 PUH-P125YHA<sub>1</sub>.UK  
 PUH-P140YHA<sub>1</sub>.UK  
 PU-P125YHA<sub>1</sub>.UK  
 PU-P140YHA<sub>1</sub>.UK  
 PUH-P125YHA#2.UK  
 PUH-P140YHA#2.UK  
 PU-P125YHA#2.UK  
 PU-P140YHA#2.UK



# RoHS PARTS LIST

No.	RoHS	Part No.	Part Name	Specification	Q'ty/unit												Remarks (Drawing No.)	Wiring Diagram Symbol	
					PUH-P		PU-P		PUH-P		PU-P		PUH-P		PU-P				
					125	140	125	140	125	140	125	140	125	140	125	140			
YHA.UK				YHA.1.UK				YHA#2UK											
1	G	S70 E 40 763	FAN MOTOR		1	1	1	1	1	1	1	1	1	1	1	1	1		MF 3
2	G	S70 E 81 408	HEAT EXCHANGER (TOP)		1	1	1	1	1	1	1	1	1	1	1	1	1		
3	G	S70 K04 115	PROPELLER FAN		2	2	2	2	2	2	2	2	2	2	2	2	2		
4	G	S70 K01 097	NUT	M6	2	2	2	2	2	2	2	2	2	2	2	2	2		
5	G	S70 E 82 408	HEAT EXCHANGER (UNDER)		1	1	1	1	1	1	1	1	1	1	1	1	1		
6	G	S70 E 60 763	FAN MOTOR		1	1	1	1	1	1	1	1	1	1	1	1	1		MF 4
7	G	S70 E02 004	RUBBER MOUNT		4	4	4	4	4	4	4	4	4	4	4	4	4		
8	G	S70 E 20 236	CRANKCASE HEATER		1	1	1	1	1	1	1	1	1	1	1	1	1		CH
9	G	S70 E 76 400	COMPRESSOR	BN52YEGMT BN52YELMT BN52YEXMT	1				1				1			1			MC
	G	S70 E 77 400	COMPRESSOR	BN65YEGMT BN65YELMT BN65YEXMT		1			1				1			1			MC
10	G	S70 E04 411	BALL VALVE	5/8	1	1	1	1	1	1	1	1	1	1	1	1	1		
11	G	S70 500 418	STOP VALVE	3/8	1	1	1	1	1	1	1	1	1	1	1	1	1		
12	G	S70 E 43 202	THERMISTOR (DISCHARGE)		1	1	1	1	1	1	1	1	1	1	1	1	1		TH4
13	G	S70 36L 450	STRAINER	#50	1	1	1	1	1	1	1	1	1	1	1	1	1		
14	G	S70 42H 467	MUFFLER		1	1	1	1	1	1	1	1	1	1	1	1	1		
15	G	S70 B01 529	ACCUMULATOR DRAIN PAN		1	1	1	1	1	1	1	1	1	1	1	1	1		
16	G	S70 E 44 202	THERMISTOR (LIQUID TEMP, 2-PHASE PIPE TEMP)		1	1	1	1	1	1	1	1	1	1	1	1	1		TH3,6
17	G	S70 E02 413	CHARGE PLUG		2	2	2	2	2	2	2	2	2	2	2	2	2		
18	G	S70 282 403	BYPASS VALVE		1	1	1	1	1	1	1	1	1	1	1	1	1		
19	G	S70 E03 242	SOLENOID COIL (BYPASS VALVE)		1	1	1	1	1	1	1	1	1	1	1	1	1		SV
20	G	S70 E 90 401	EXPANSION VALVE		1	1	1	1	1	1	1	1	1	1	1	1	1		
21	G	S70 E 91 401	LINEAR EXPANSION VALVE COIL		1	1	1	1	1	1	1	1	1	1	1	1	1		LEV
22	G	S70 E03 403	FOUR-WAY VALVE		1	1	1	1	1	1	1	1	1	1	1	1	1		
23	G	S70 E 43 241	SOLENOID COIL (FOUR-WAY VALVE)		1	1			1	1			1	1					21S4
24	G	S70 E10 208	HIGH PRESSURE SWITCH		1	1	1	1	1	1	1	1	1	1	1	1	1		63H
25	G	S70 H20 209	LOW PRESSURE SWITCH		1	1	1	1	1	1	1	1	1	1	1	1	1		63L
26	G	S70 E 61 440	ACCUMULATOR		1	1	1	1	1	1	1	1	1	1	1	1	1		
27	G	S70 E10 716	TERMINAL BLOCK	4P(L1,L2,L3,N)	1	1	1	1	1	1	1	1	1	1	1	1	1		TB1
28	G	S70 E04 716	TERMINAL BLOCK	3P(S1,S2,S3)	1	1	1	1	1	1	1	1	1	1	1	1	1		TB2
29	G	S70 E 41 255	FAN CAPACITOR	3 $\mu$ F 440V	2		2		2		2		1		1				C3,C4
	G	S70 31L 255	FAN CAPACITOR	3.5 $\mu$ F 440V		2		2		2		2		1		1			C3,C4
30	G	S70 FY 2 315	CONTROLLER CIRCUIT BOARD		1	1	1	1											O.B
	G	S70 FY 9 315	CONTROLLER CIRCUIT BOARD						1	1	1	1	1	1	1	1	1		O.B
31	G	S70 640 708	CONTACTOR		1		1		1		1		1		1				51C,52C
	G	S70 540 708	CONTACTOR			1		1		1		1		1		1			51C,52C

# RoHS PARTS LIST

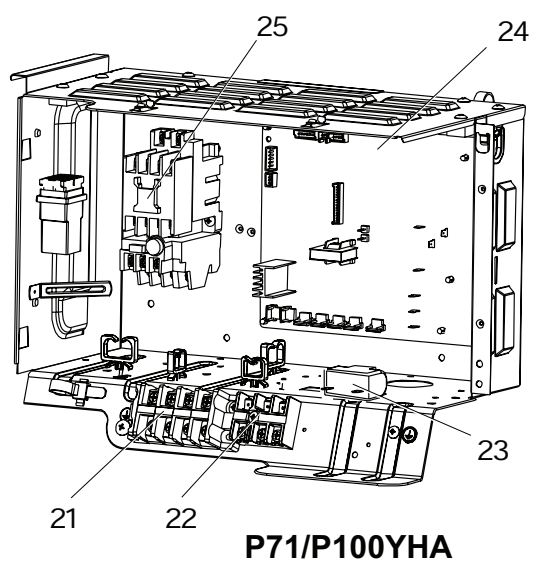
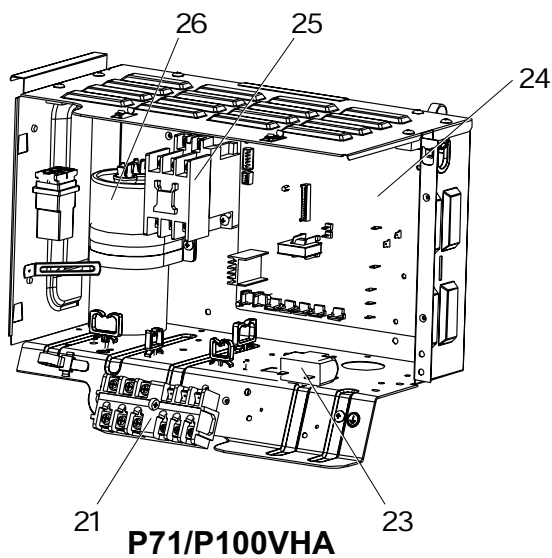
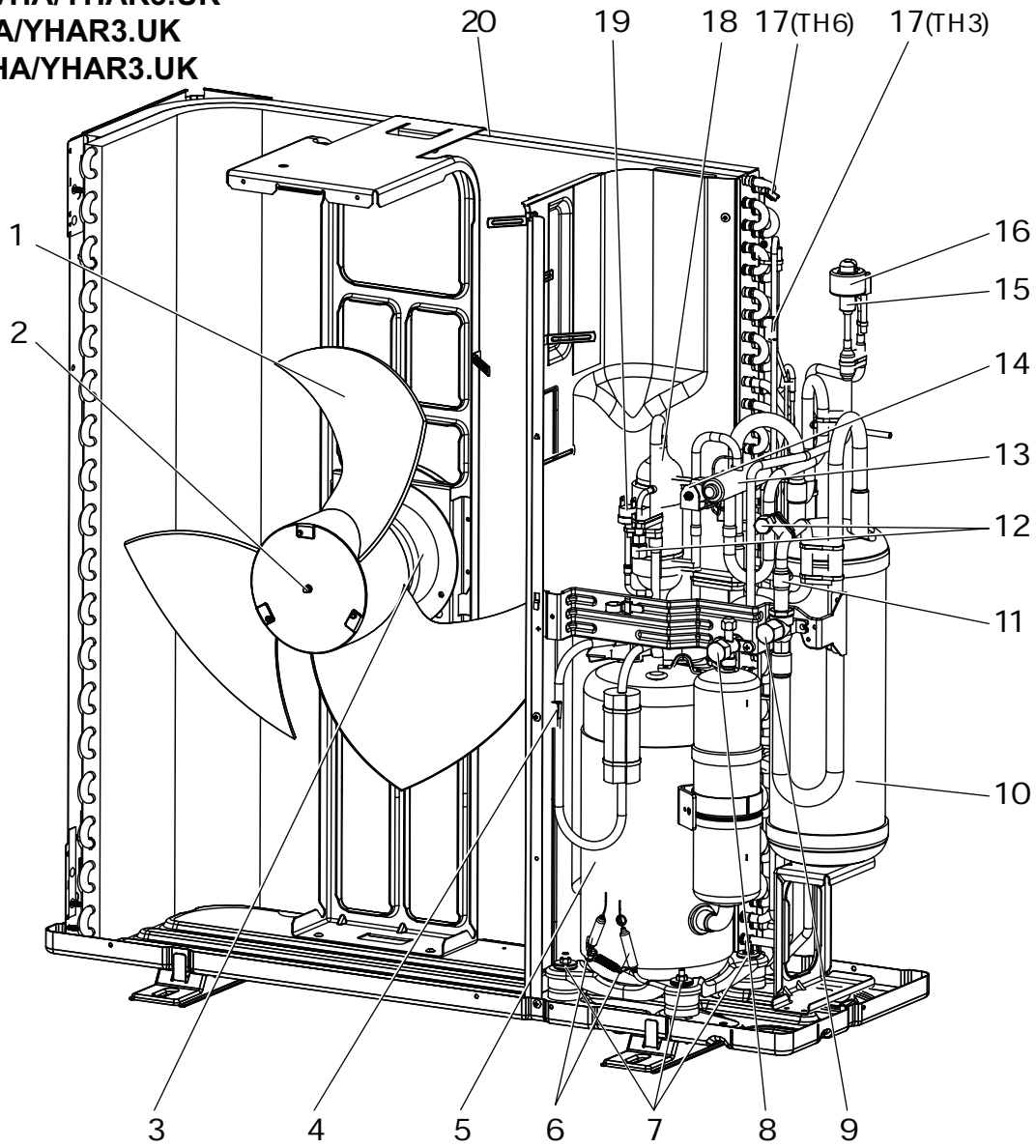
## FUNCTIONAL PARTS

PUH-P71VHA/YHAR3.UK

PUH-P100VHA/YHAR3.UK

PU-P71VHA/YHAR3.UK

PU-P100VHA/YHAR3.UK



# RoHS PARTS LIST

No.	RoHS	Part No.	Part Name	Specification	Q'ty/unit								Remarks (Drawing No.)	Wiring Diagram Symbol
					PUH-P71		PUH-P100		PU-P71		PU-P100			
					V	Y	V	Y	V	Y	V	Y		
					HAR 3UK									
1	G	S70 K04 115	PROPELLER FAN		1	1	1	1	1	1	1	1		
2	G	S70 K01 097	NUT	M6	1	1	1	1	1	1	1	1		
3	G	S70 E 40 763	FAN MOTOR		1	1			1	1			MF	
	G	S70 E 50 763	FAN MOTOR				1	1			1	1	MF	
4	G	S70 E 41 202	THERMISTOR (DISCHARGE)		1	1	1	1	1	1	1	1	TH4	
5	G	S70 E 72 400	COMPRESSOR	NN33VAAMT	1				1				MC	
	G	S70 E 73 400	COMPRESSOR	NN33YCAMT		1				1			MC	
	G	S70 E 74 400	COMPRESSOR	NN40VAAMT			1				1		MC	
	G	S70 E 75 400	COMPRESSOR	NN40YCAMT				1				1	MC	
6	G	S70 E 10 236	CRANKCASE HEATER		1	1	1	1	1	1	1	1	CH	
7	G	S70 E 30 401	RUBBER MOUNT		4	4	4	4	4	4	4	4		
8	G	S70 600 418	STOP VALVE	3/8	1	1	1	1	1	1	1	1		
9	G	S70 E04 411	BALL VALVE	5/8	1	1	1	1	1	1	1	1		
10	G	S70 E 12 440	ACCUMULATOR		1	1	1	1	1	1	1	1		
11	G	S70 36L 450	STRAINER	#50	1	1	1	1	1	1	1	1		
12	G	S70 E02 413	CHARGE PLUG		2	2	2	2	2	2	2	2		
13	G	S70 E 10 403	FOUR-WAY VALVE		1	1	1	1	1	1	1	1		
14	G	S70 E 41 242	SOLENOID VALVE COIL <FOUR-WAY VALVE>		1	1	1	1					21S4	
15	G	S70 E 80 401	EXPANSION VALVE		1	1			1	1				
	G	S70 E 90 401	EXPANSION VALVE				1	1			1	1		
16	G	S70 E 91 401	LINEAR EXPANSION VALVE COIL		1	1	1	1	1	1	1	1	LEV	
17	G	S70 E 42 202	THERMISTOR		1	1	1	1	1	1	1	1	TH3,6	
18	G	S70 42H 467	MUFFLER		1	1	1	1	1	1	1	1		
19	G	S70 E 10 208	HIGH PRESSURE SWITCH	4.14MPa	1	1	1	1	1	1	1	1	63H	
20	G	S70 E 41 408	HEAT EXCHANGER		1	1			1	1				
	G	S70 E 51 408	HEAT EXCHANGER				1	1			1	1		
21	G	S70 E07 716	TERMINAL BLOCK	6P(L,N,0,S1,S2,S3)	1		1		1		1		TB1	
	G	S70 E 10 716	TERMINAL BLOCK	4P(L1,L2,L3,N)		1		1		1		1	TB1	
22	G	S70 E04 716	TERMINAL BLOCK	3P(S1,S2,S3)		1		1		1		1	TB2	
23	G	S70 E 41 255	FAN CAPACITOR	3 $\mu$ F 440V	1	1			1	1			C3	
	G	S70 E 51 255	FAN CAPACITOR	6 $\mu$ F 440V			1	1			1	1	C3	
24	G	S70 FV8 315	CONTROLLER CIRCUIT BOARD		1		1		1		1		O.B	
	G	S70 FY9 315	CONTROLLER CIRCUIT BOARD			1		1		1		1	O.B	
25	G	S70 541 708	CONTACTOR			1				1			51C,52C	
	G	S70 542 708	CONTACTOR					1				1	51C,52C	
	G	S70 546 708	CONTACTOR		1		1		1		1		52C	
26	G	S70 E 41 723	RUN CAPACITOR	55 $\mu$ F 420V	1				1				C5	
	G	S70 E 51 723	RUN CAPACITOR	60 $\mu$ F 450V			1				1		C5	

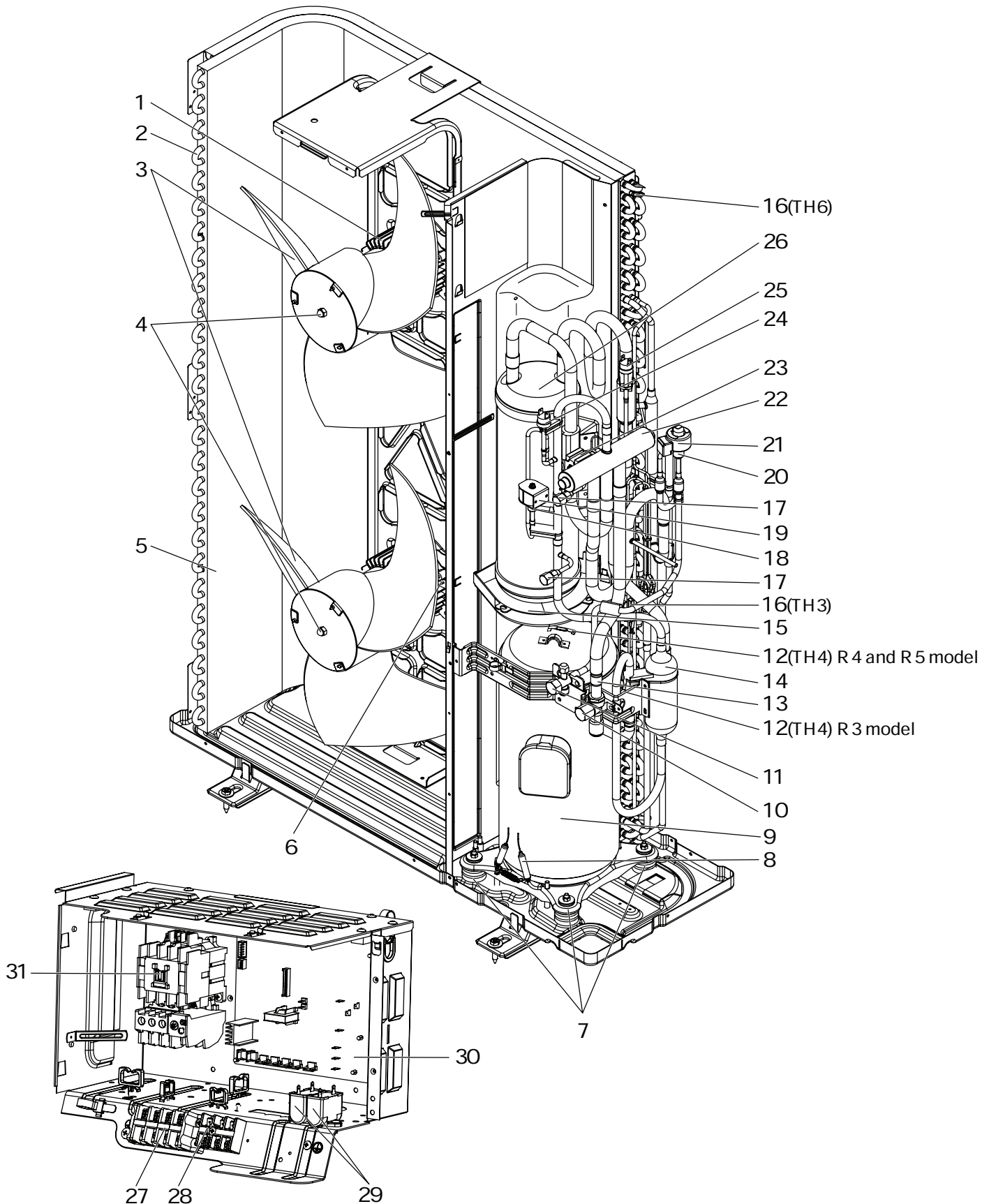
# RoHS PARTS LIST

## FUNCTIONAL PARTS

PUH-P125YHAR3.UK  
 PUH-P140YHAR3.UK  
 PU-P125YHAR3.UK  
 PU-P140YHAR3.UK

PUH-P125YHAR4.UK  
 PUH-P140YHAR4.UK  
 PU-P125YHAR4.UK  
 PU-P140YHAR4.UK

PUH-P125YHAR5.UK  
 PUH-P140YHAR5.UK  
 PU-P125YHAR5.UK  
 PU-P140YHAR5.UK



# RoHS PARTS LIST

No.	RoHS	Part No.	Part Name	Specification	Q'ty/unit								Remarks (Drawing No.)	Wiring Diagram Symbol
					PUH-P		PU-P		PUH-P		PU-P			
					125	140	125	140	125	140	125	140		
YHAR3.UK				YHAR4.UK YHAR5.UK										
1	G	S70 E40 763	FAN MOTOR		1	1	1	1	1	1	1	1		MF3
2	G	S70 E81 408	HEAT EXCHANGER (TOP)		1	1	1	1	1	1	1	1		
3	G	S70 K04 115	PROPELLER FAN		2	2	2	2	2	2	2	2		
4	G	S70 K01 097	NUT	M6	2	2	2	2	2	2	2	2		
5	G	S70 E82 408	HEAT EXCHANGER (UNDER)		1	1	1	1	1	1	1	1		
6	G	S70 E60 763	FAN MOTOR		1	1	1	1	1	1	1	1		MF4
7	G	S70 E02 004	RUBBER MOUNT		4	4	4	4	4	4	4	4		
8	G	S70 E20 236	CRANKCASE HEATER		1	1	1	1	1	1	1	1		CH
9	G	S70 E76 400	COMPRESSOR	BN52YELMT BN52YEXMT	1		1							MC
	G	S70 E77 400	COMPRESSOR	BN65YELMT BN65YEXMT		1		1						MC
	G	S70 E86 400	COMPRESSOR	BN52YEXMT					1		1			MC
	G	S70 E87 400	COMPRESSOR	BN65YEXMT						1		1		MC
10	G	S70 E04 411	BALL VALVE	5/8	1	1	1	1	1	1	1	1		
11	G	S70 600 418	STOP VALVE	3/8	1	1	1	1	1	1	1	1		
12	G	S70 E43 202	THERMISTOR (DISCHARGE)		1	1	1	1						TH4
	G	S70 E43 202	THERMISTOR (COMPRESSOR SURFACE)						1	1	1	1		TH4
13	G	S70 36L 450	STRAINER	#50	1	1	1	1	1	1	1	1		
14	G	S70 42H 467	MUFFLER		1	1	1	1	1	1	1	1		
15	G	S70 B01 529	ACCUMULATOR DRAIN PAN		1	1	1	1	1	1	1	1		
16	G	S70 E44 202	THERMISTOR		1	1	1	1	1	1	1	1		TH3,6
17	G	S70 E02 413	CHARGE PLUG		2	2	2	2	2	2	2	2		
18	G	S70 282 403	BYPASS VALVE		1	1	1	1	1	1	1	1		
19	G	S70 E03 242	SOLENOID COIL (BYPASS VALVE)		1	1	1	1	1	1	1	1		SV
20	G	S70 E90 401	EXPANSION VALVE		1	1	1	1	1	1	1	1		
21	G	S70 E91 401	LINEAR EXPANSION VALVE COIL		1	1	1	1	1	1	1	1		LEV
22	G	S70 E03 403	4-WAY VALVE		1	1	1	1	1	1	1	1		
23	G	S70 E43 241	SOLENOID COIL (4-WAY VALVE)		1	1			1	1				21S4
24	G	S70 E10 208	HIGH PRESSURE SWITCH	4.14MPa	1	1	1	1	1	1	1	1		63H
25	G	S70 H20 209	LOW PRESSURE SWITCH	0.03MPa	1	1	1	1	1	1	1	1		63L
26	G	S70 E13 440	ACCUMULATOR		1	1	1	1	1	1	1	1		
27	G	S70 E10 716	TERMINAL BLOCK	4P(L1,L2,L3,N)	1	1	1	1	1	1	1	1		TB1
28	G	S70 E04 716	TERMINAL BLOCK	3P(S1,S2,S3)	1	1	1	1	1	1	1	1		TB2
29	G	S70 E41 255	FAN CAPACITOR	3 $\mu$ F 440V	1		1		1		1			C3,C4
	G	S70 31L 255	FAN CAPACITOR	3.5 $\mu$ F 440V		1		1		1		1		C3,C4
30	G	S70 FY9 315	CONTROLLER CIRCUIT BOARD		1	1	1	1	1	1	1	1		O.B.
31	G	S70 640 708	CONTACTOR		1		1		1		1			51C,52C
	G	S70 540 708	CONTACTOR			1		1		1		1		51C,52C

**Mr. SLIM™**

**mitsubishi electric corporation**

HEAD OFFICE : TOKYO BLDG., 2-7-3, MARUNOUCHI, CHIYODA-KU, TOKYO 100-8310, JAPAN

©Copyright 2006 MITSUBISHI ELECTRIC CORPORATION  
Distributed in Sep. 2013 No.OC379 REVISED EDITION-G  
Distributed in Apr. 2012 No.OC379 REVISED EDITION-F  
Distributed in Jul. 2009 No.OC379 REVISED EDITION-E PDF 6  
Distributed in Sep. 2008 No.OC379 REVISED EDITION-D PDF 6  
Distributed in Apr. 2007 No.OC379 REVISED EDITION-C PDF 7  
Distributed in Jul. 2006 No.OC379 REVISED EDITION-B PDF 7  
Distributed in May 2006 No.OC379 REVISED EDITION-A PDF 8  
Distributed in Apr. 2006 No.OC379 PDF 8  
Made in Japan.

New publication, effective Sep. 2013  
Specifications are subject to change without notice.