

PARTS CATALOG

Series PLA Ceiling Cassettes

R410A

Indoor unit

[Model names]

PLA-RP35BA
PLA-RP50BA
PLA-RP60BA
PLA-RP71BA
PLA-RP100BA
PLA-RP125BA
PLA-RP140BA
PLA-RP71BA2
PLA-RP100BA2
PLA-RP125BA2
PLA-RP140BA2

Revision:

- PLA-RP35/50/60/71BAR3.UK have been added in REVISED EDITION-F.
- Some descriptions have been modified.

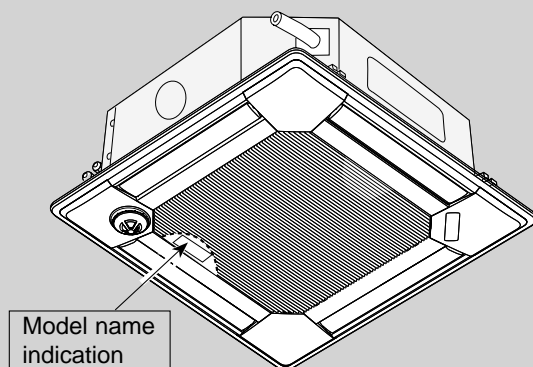
- Please void OCB412 REVISED EDITION-E.

NOTE:

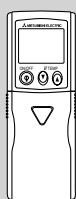
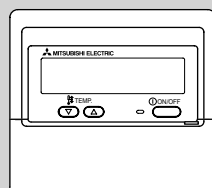
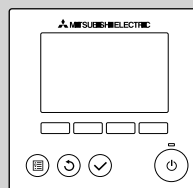
- RoHS compliant products have <G> mark on the spec name plate.

[Service Ref.]

Refer to page 2.



INDOOR UNIT


 WIRELESS REMOTE
CONTROLLER

 WIRED REMOTE
CONTROLLER


CONTENTS

1. RoHS PARTS LIST..... 2

SERVICE MANUAL (OCH412)

[Service Ref.]

PLA-RP35BA.UK
PLA-RP35BA₁.UK
PLA-RP35BA#2.UK
PLA-RP35BAR3.UK
PLA-RP50BA.UK
PLA-RP50BA₁.UK
PLA-RP50BA#2.UK
PLA-RP50BAR3.UK
PLA-RP60BA.UK
PLA-RP60BA₁.UK
PLA-RP60BA#2.UK
PLA-RP60BAR3.UK
PLA-RP71BA.UK
PLA-RP71BA₁.UK
PLA-RP71BA#2.UK
PLA-RP71BAR3.UK
PLA-RP100BA.UK
PLA-RP100BA#2.UK
PLA-RP125BA.UK
PLA-RP125BA#2.UK
PLA-RP140BA.UK
PLA-RP140BA#2.UK

PLA-RP71BA2.UK
PLA-RP100BA2.UK
PLA-RP125BA2.UK
PLA-RP140BA2.UK

1

RoHS PARTS LIST

PANEL PARTS

PLP-6BA (Standard)

PLP-6BAE (i-see sensor)

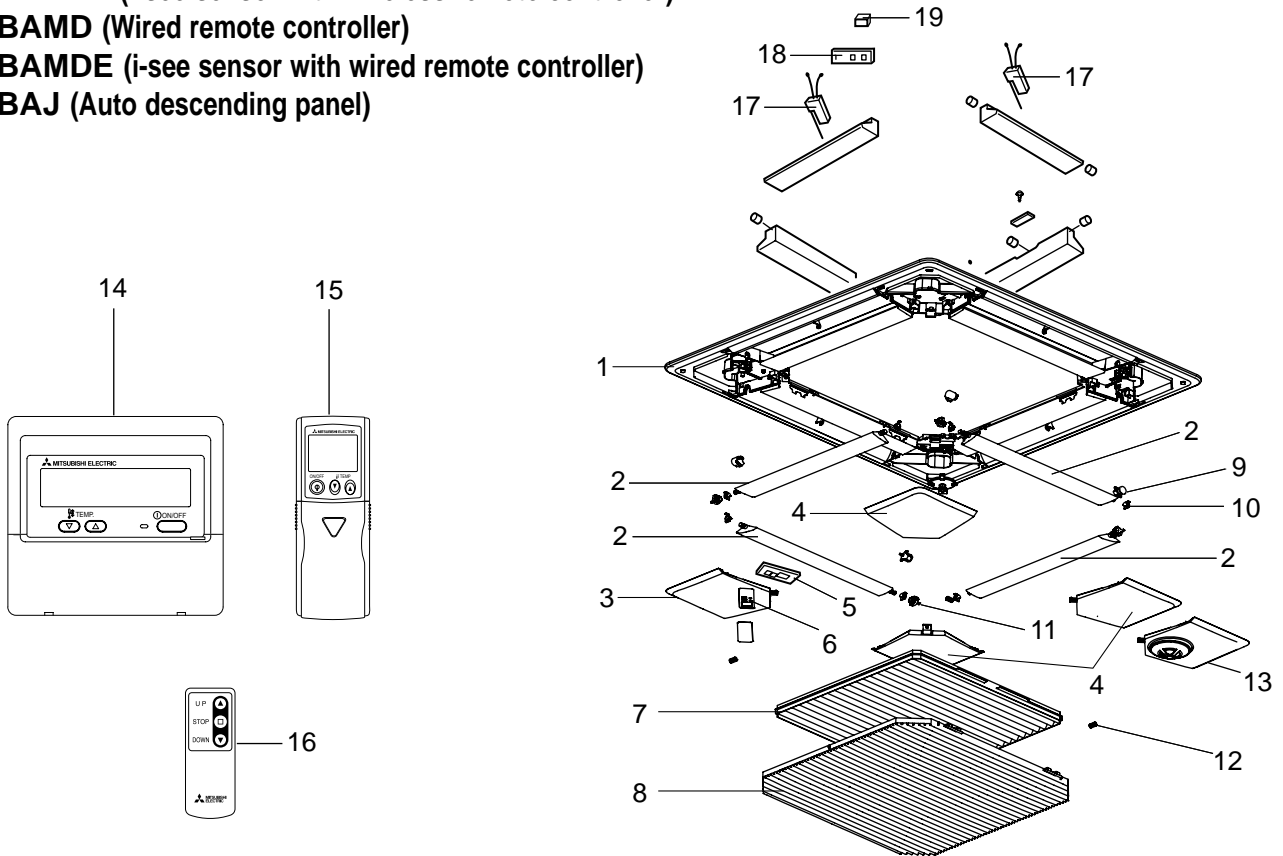
PLP-6BALM (Wireless remote controller)

PLP-6BALME (i-see sensor with wireless remote controller)

PLP-6BAMD (Wired remote controller)

PLP-6BAMDE (i-see sensor with wired remote controller)

PLP-6BAJ (Auto descending panel)



Part numbers that are circled are not shown in the illustration.

No.	RoHS	Parts No.	Parts Name	Specification	Q'ty/unit								Remarks (Drawing No.)	Wiring Diagram Symbol	Recom- mended Q'ty
					PLP- 6										
					BA	BAE	BALM	BALME	BAMD	BAMDE	BAJ				
1	G	S70 E20 003	AIR OUTLET GRILLE		1	1	1	1	1	1	1				
2	G	S70 E20 002	VANE ASSY		4	4	4	4	4	4	4				
3	G	S70 E31 638	CORNER PANEL (L)		1	1			1	1					
	G	S70 E41 638	CORNER PANEL (L)				1	1			1				
4	G	S70 E20 638	CORNER PANEL		3	2	3	2	3	2	3				
5	G	S70 E20 317	WIRELESS ADAPTER				1	1			1		W.B		
6	G	S70 E50 658	RECEIVER				1	1			1		RU		
7	G	S70 E20 500	L. L. FILTER-A		1	1	1	1	1	1	1				
8	G	S70 E20 691	GRILLE ASSY		1	1	1	1	1	1					
	G	S70 E30 691	GRILLE ASSY								1				
9	G	S70 E00 223	STEPPING MOTOR		4	4	4	4	4	4	4		MV		
10	G	S70 E00 063	VANE BUSH-A		8	8	8	8	8	8	8				
11	G	S70 E00 040	GEAR (Vane)		4	4	4	4	4	4	4				
12	G	S70 E01 040	GEAR (S/M)		4	4	4	4	4	4	4				
13	G	—	I-SEE SENSOR	PAC-SA1ME-E			1		1		1		Optional parts		
14	G	S70 E50 713	REMOTE CONTROLLER	PAR-21MAA-J						1	1				
15	G	S70 E40 714	REMOTE CONTROLLER	PAR-SL97A-E			1	1							
16	G	S70 E60 714	REMOTE CONTROLLER								1		for Auto Grille		
17	G	S70 0B0 213	MOTOR BOX								2		UK1		
18	G	S70 0B6 310	CONTROLLER BOARD								1		U.B		
19	G	S70 0B0 512	LIMIT SWITCH								1		LS1		
(20)	G	S70 E20 305	CABLE ASSY				1	1			1		for W.B.		
(21)	G	S70 E20 673	SCREW ASSY		1	1			1	1	1		Accessory		
	G	S70 E30 673	SCREW ASSY				1	1					Accessory		

RoHS PARTS LIST

STRUCTURAL AND FUNCTIONAL PARTS

PLA-RP35BA.UK

PLA-RP50BA.UK

PLA-RP60BA.UK

PLA-RP71BA.UK

PLA-RP100BA.UK

PLA-RP125BA.UK

PLA-RP140BA.UK

PLA-RP35BA₁.UK

PLA-RP50BA₁.UK

PLA-RP60BA₁.UK

PLA-RP71BA₁.UK

PLA-RP35BA#2.UK

PLA-RP50BA#2.UK

PLA-RP60BA#2.UK

PLA-RP71BA#2.UK

PLA-RP100BA#2.UK

PLA-RP125BA#2.UK

PLA-RP140BA#2.UK

PLA-RP35BAR3.UK

PLA-RP50BAR3.UK

PLA-RP60BAR3.UK

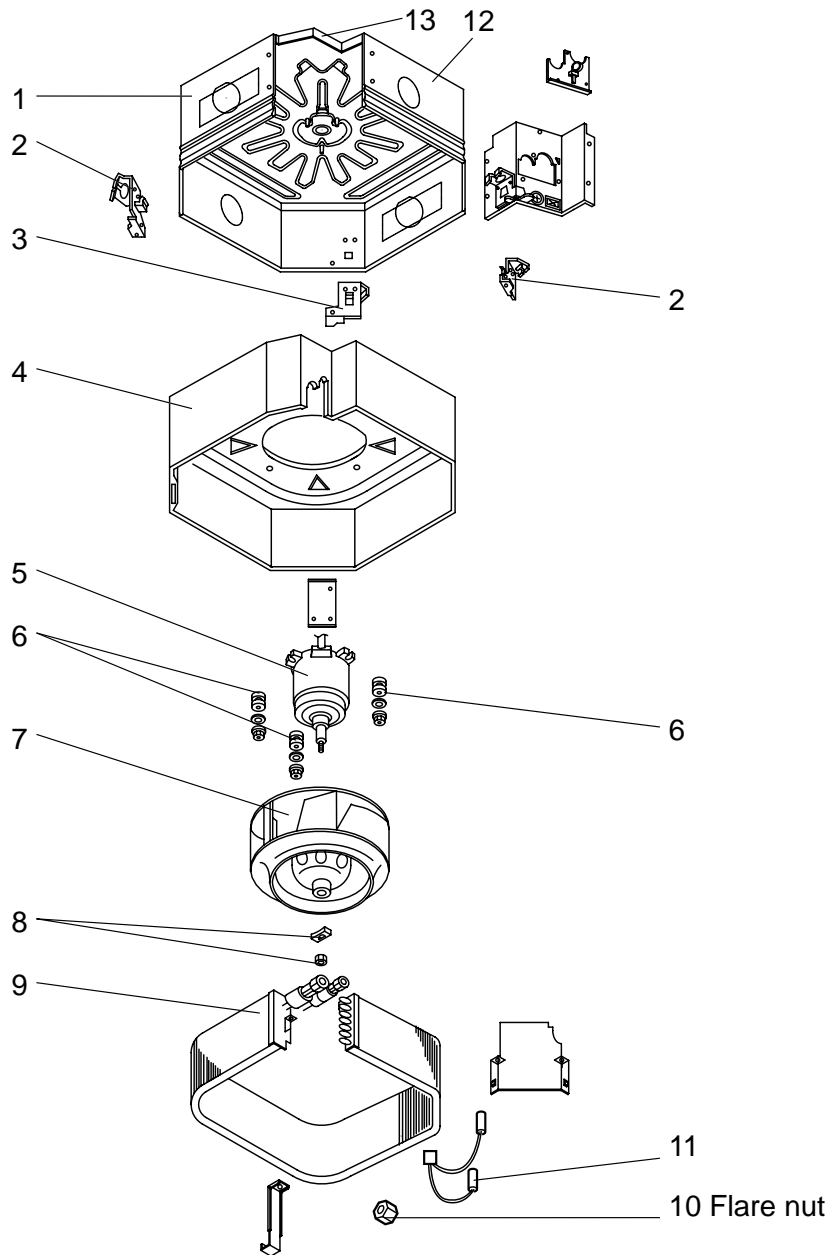
PLA-RP71BAR3.UK

PLA-RP71BA2.UK

PLA-RP100BA2.UK

PLA-RP125BA2.UK

PLA-RP140BA2.UK

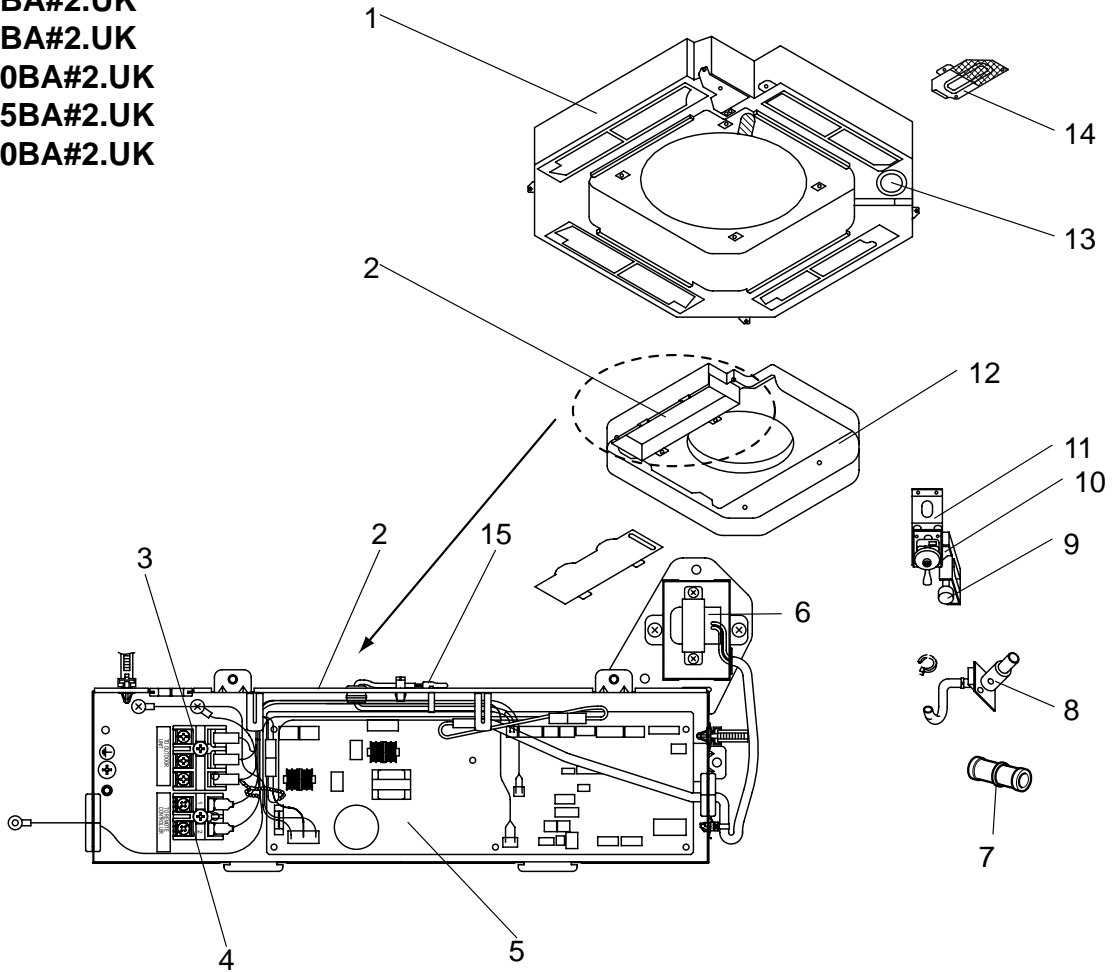




No.	RoHS	Parts No.	Parts Name	Specification	Q'ty/unit														Remarks (Drawing No.)	Wiring Diagram Symbol			
					PLA-RP																		
					35	50	60	71	100	125	140	35	50	60	71	71	100	125			140		
BA.UK				BA.UK BA#2.UK		BA1.UK BA#2.UK BAR3.UK			BA2.UK														
1	G	S70 0B3 688	DRUM 2 ASSY		1	1	1	1					1	1	1	1	1						
	G	S70 0B4 688	DRUM 2 ASSY						1	1	1							1	1	1			
2	G	S70 0B2 130	LEG 1A		2	2	2	2	2	2	2	2	2	2	2	2	2	2	2	2			
3	G	S70 0B1 130	LEG 1B		1	1	1	1	1	1	1	1	1	1	1	1	1	1	1	1			
4	G	S70 0B1 659	INNER COVER ASSY - S		1	1	1	1					1	1	1	1	1						
	G	S70 0B2 659	INNER COVER ASSY - L						1	1	1							1	1	1			
5	G	S70 0B1 762	FAN MOTOR		1	1	1	1														MF	
	G	S70 0B2 762	FAN MOTOR						1	1	1							1	1	1		MF	
	G	S70 0B3 762	FAN MOTOR										1	1	1	1	1					MF	
6	G	S70 0B1 105	MOTOR MOUNT		3	3	3	3	3	3	3	3	3	3	3	3	3	3	3	3			
7	G	S70 0B1 114	TURBO FAN		1	1	1	1															
	G	S70 0B2 114	TURBO FAN	M8					1	1	1							1	1	1			
	G	S70 0B3 114	TURBO FAN	M6									1	1	1	1	1						
8	G	S70 08K 097	SPL WASHER / NUT		1	1	1	1	1	1	1							1	1	1			
	G	S70 10B 097	SPL WASHER / NUT										1	1	1	1	1						
9	G	S70 0B1 480	HEAT EXCHANGER		1	1							1	1									
	G	S70 0B6 480	HEAT EXCHANGER				1								1								
	G	S70 0B2 480	HEAT EXCHANGER				1									1							
	G	S70 0B3 480	HEAT EXCHANGER					1															
	G	S70 0B4 480	HEAT EXCHANGER						1														
	G	S70 0B5 480	HEAT EXCHANGER								1												
	G	S70 0B7 480	HEAT EXCHANGER	1/2"														1					
	G	S70 0B8 480	HEAT EXCHANGER	3/8"															1	1	1		
10	G	S70 0B1 097	FLARE NUT	5/8"	1	1							1	1									
	G	S70 E14 097	FLARE NUT															1	1	1	1		
	G	S70 E15 097	FLARE NUT				1	1	1	1	1				1	1	1				1		
11	G	S70 0B2 202	THERMISTOR		1	1	1	1	1	1	1	1	1	1	1	1	1	1	1	1		TH2/TH5	
12	G	S70 0B1 688	DRUM 1 ASSY		1	1	1	1					1	1	1	1	1						
	G	S70 0B2 688	DRUM 1 ASSY						1	1	1							1	1	1			
13	G	S70 0B1 687	BASE		1	1	1	1	1	1	1	1	1	1	1	1	1	1	1	1			

FUNCTIONAL AND ELECTRICAL PARTS

- | | |
|-----------------------------|-----------------|
| PLA-RP35BA.UK | PLA-RP35BAR3.UK |
| PLA-RP50BA.UK | PLA-RP50BAR3.UK |
| PLA-RP60BA.UK | PLA-RP60BAR3.UK |
| PLA-RP71BA.UK | PLA-RP71BAR3.UK |
| PLA-RP100BA.UK | PLA-RP71BA2.UK |
| PLA-RP125BA.UK | PLA-RP100BA2.UK |
| PLA-RP140BA.UK | PLA-RP125BA2.UK |
| PLA-RP35BA ₁ .UK | PLA-RP140BA2.UK |
| PLA-RP50BA ₁ .UK | |
| PLA-RP60BA ₁ .UK | |
| PLA-RP71BA ₁ .UK | |
| PLA-RP35BA#2.UK | |
| PLA-RP50BA#2.UK | |
| PLA-RP60BA#2.UK | |
| PLA-RP71BA#2.UK | |
| PLA-RP100BA#2.UK | |
| PLA-RP125BA#2.UK | |
| PLA-RP140BA#2.UK | |





No.	RoHS	Parts No.	Parts Name	Specification	Q'ty/unit						Remarks (Drawing No.)	Wiring Diagram Symbol
					PLA-RP							
					35/50/60/71/ 100/125/140	35/50/60/71	71/100/125	140	35/50/60/71/ 100/125/140	35/50/60/71		
	BA.UK	BA1.UK	BA2.UK	BA#2.UK	BAR3.UK							
1	G	S70 0B1 529	DRAIN PAN		1	1	1	1	1	1		
2	G	S70 0B5 501	ELECTRICAL CONTROL BOX		1	1	1	1	1	1		
3	G	S70 K01 716	TERMINAL BLOCK	3P(S1,S2,S3)	1	1	1	1	1	1		TB4
4	G	S70 512 716	TERMINAL BLOCK	2P(1,2)	1	1	1	1	1	1		TB5
5	G	S70 0B7 310	INDOOR CONTROLLER BOAD		1							I.B
	G	S70 0B8 310	INDOOR CONTROLLER BOAD			1						I.B
	G	S70 0B9 310	INDOOR CONTROLLER BOAD				1		1			I.B
	G	S70 B10 310	INDOOR CONTROLLER BOAD					1				I.B
	G	S70 B11 310	INDOOR CONTROLLER BOAD							1		
6	G	S70 0B1 259	REACTOR		1	1	1	1	1	1		DCL
7	G	S70 29H 523	DRAIN SOCKET		1	1	1	1	1	1	Accessory	
8	G	S70 0B1 527	DRAIN HOSE ASSY		1	1	1	1	1	1		
9	G	S70 0B1 266	DRAIN SENSOR (Float Switch)		1	1	1	1	1	1		FS
10	G	S70 0B1 533	DRAIN SENSOR HOLDER		1	1	1	1	1	1		
11	G	S70 0B1 355	DRAIN PUMP		1	1	1	1	1	1		DP
12	G	S70 0B1 502	BELLMOUTH		1	1	1	1	1	1		
13	G	S70 A41 524	DRAIN PLUG		1	1	1	1	1	1		
14	G	S70 0B1 663	CORNER COVER		1	1	1	1	1	1		
15	G	S70 0B1 202	ROOM TEMP. THERMISTOR		1	1	1	1	1	1		TH1

Mr. SLIM™

MITSUBISHI ELECTRIC CORPORATION

HEAD OFFICE : TOKYO BLDG., 2-7-3, MARUNOUCHI, CHIYODA-KU, TOKYO 100-8310, JAPAN

©Copyright 2007 MITSUBISHI ELECTRIC CORPORATION
Distributed in Nov. 2012 No.OCB412 REVISED EDITION-F
Distributed in Jul. 2012 No.OCB412 REVISED EDITION-E
Distributed in Mar. 2009 No.OCB412 REVISED EDITION-D PDF 6
Distributed in Apr. 2008 No.OCB412 REVISED EDITION-C PDF 7
Distributed in Feb. 2008 No.OCB412 REVISED EDITION-B PDF 7
Distributed in Oct. 2007 No.OCB412 REVISED EDITION-A PDF 7
Distributed in Mar. 2007 No.OCB412 PDF 7
Made in Japan

New publication, effective Nov. 2012
Specifications are subject to change without notice.