

PARTS CATALOG

R410A

Outdoor unit

[Model names]

PUHZ-P200YHA

PUHZ-P250YHA

PUHZ-P200YHA3

PUHZ-P250YHA3

[Service Ref.]

PUHZ-P200YHA

PUHZ-P250YHA

PUHZ-P200YHA3

PUHZ-P200YHA3R1

PUHZ-P200YHA3R2

PUHZ-P200YHA3R3

PUHZ-P250YHA3

PUHZ-P250YHA3R1

PUHZ-P250YHA3R2

PUHZ-P250YHA3R3

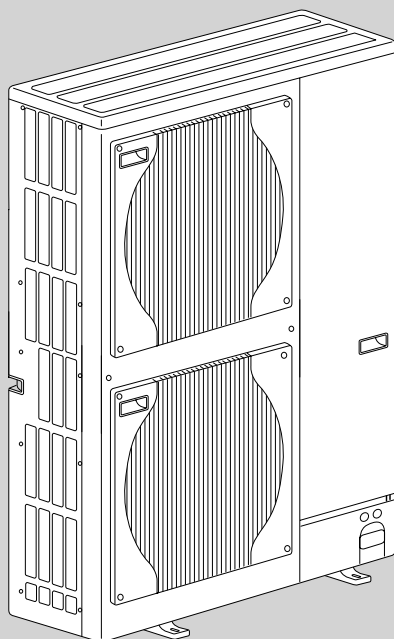
Revision:

- PUHZ-P200/250YHA3R3 have been added in REVISED EDITION-D.

- Please void OCB424 REVISED EDITION-C.

Note:

- RoHS compliant products have <G> mark on the spec name plate.



PUHZ-P200YHA3R1/R2/R3
PUHZ-P250YHA3R1/R2/R3

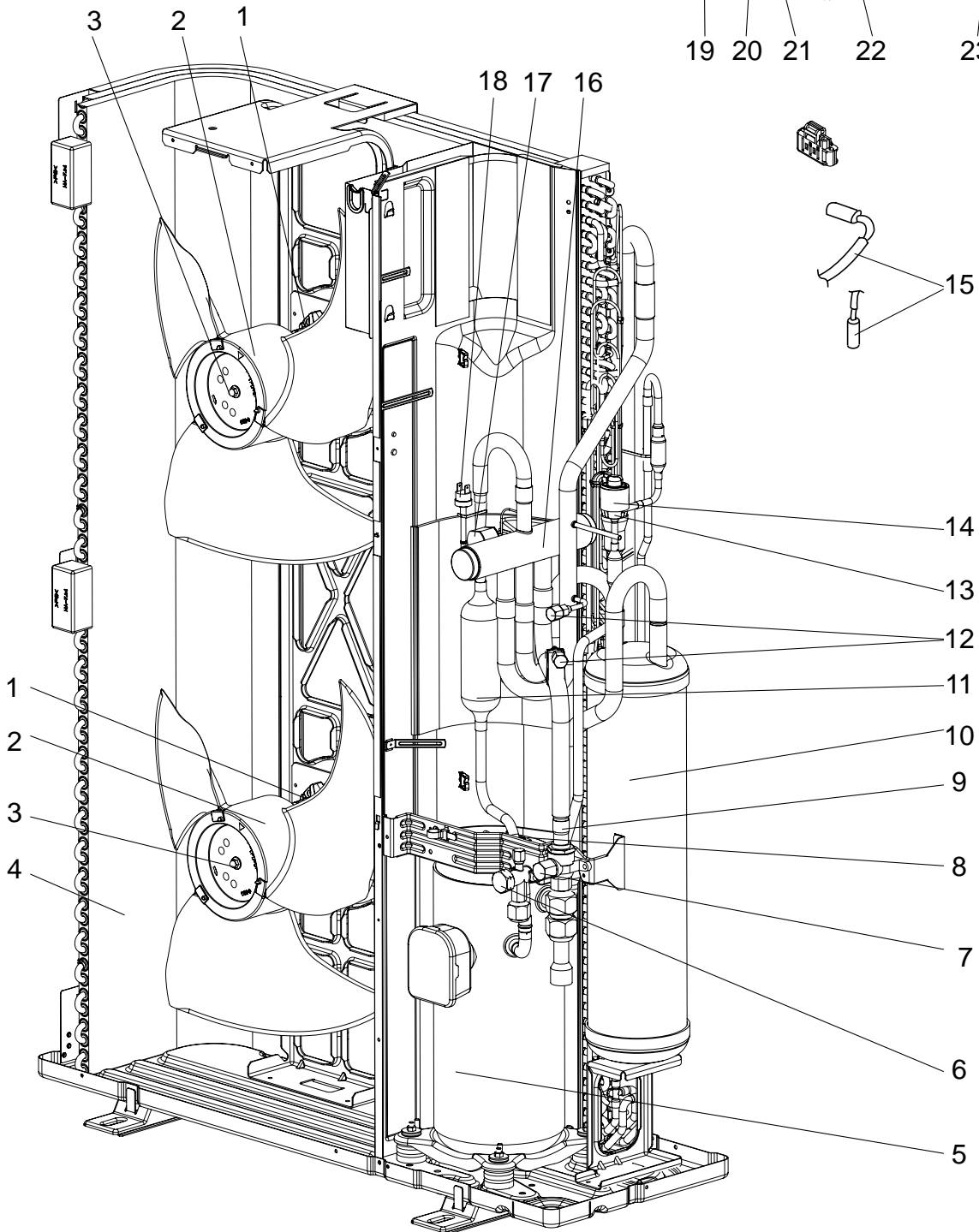
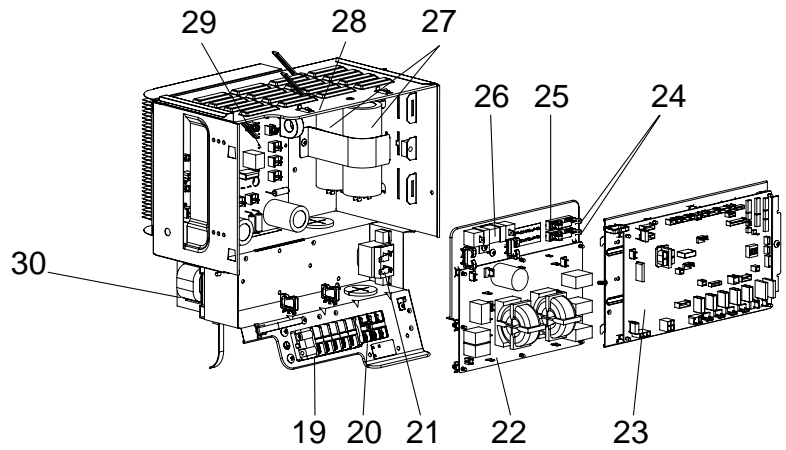
CONTENTS

1. RoHS PARTS LIST..... 2

SERVICE MANUAL (OCH424)

FUNCTIONAL AND ELECTRICAL PARTS

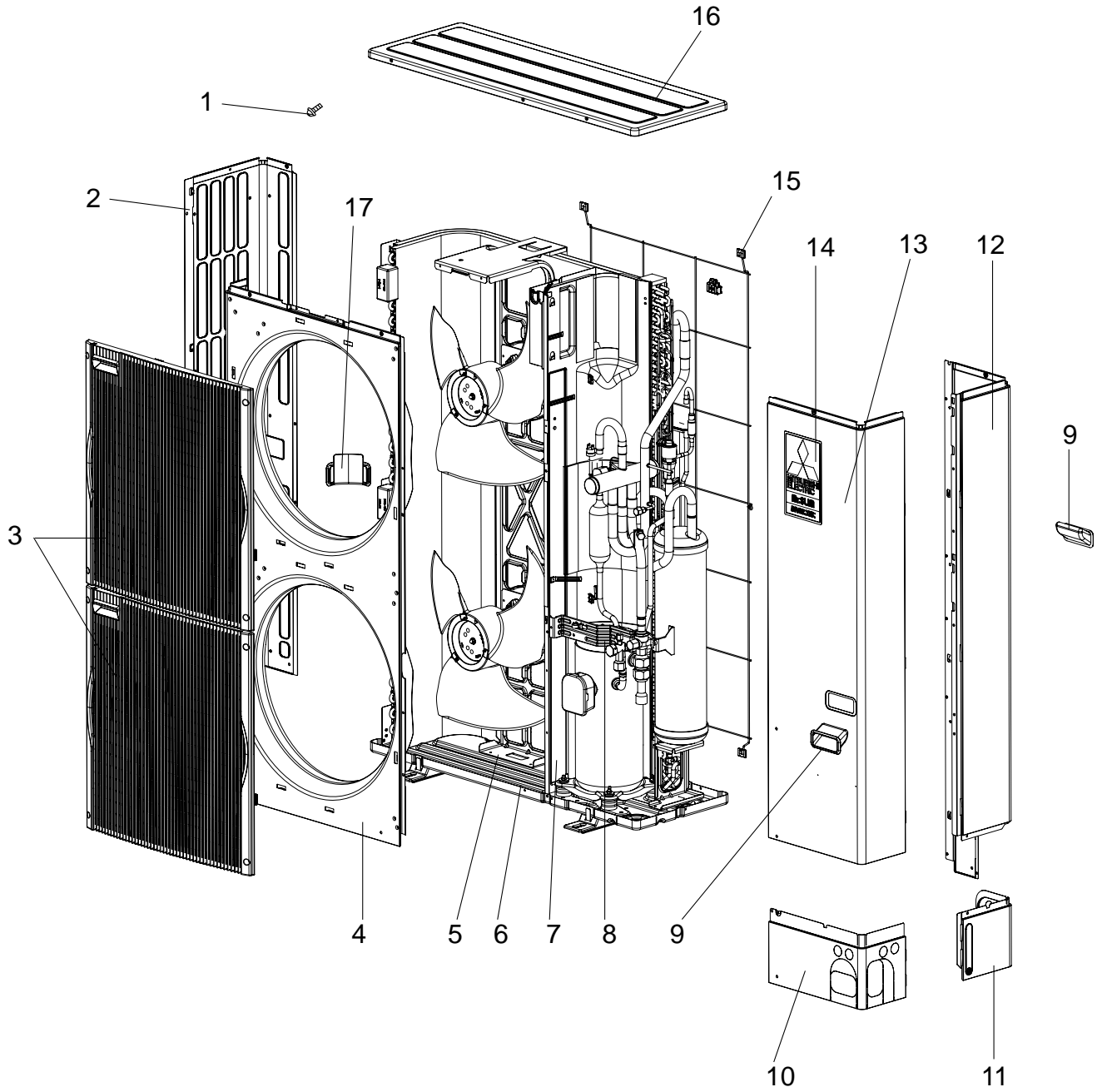
- PUHZ-P200YHA
- PUHZ-P250YHA
- PUHZ-P200YHA3
- PUHZ-P250YHA3
- PUHZ-P200YHA3R1
- PUHZ-P250YHA3R1
- PUHZ-P200YHA3R2
- PUHZ-P250YHA3R2
- PUHZ-P200YHA3R3
- PUHZ-P250YHA3R3



Part numbers that are circled are not shown in the figures.

No.	ROHS	Part No.	Part Name	Specification	Q'ty/set								Remaks (Drawing No.)	Wiring Diagram Symbol	Recom- mended Q'ty
					PUHZ-P										
					YHA		YHA3 YHA3R1		YHA3R2		YHA3R3				
200	250	200	250	200	250	200	250								
1	G	R01 E46 221	FAN MOTOR		2	2	2	2	2	2	2	2		MF1,2	
2	G	R01 E06 115	PROPELLER FAN		2	2	2	2	2	2	2	2			
3	G	R01 E09 097	NUT	M6	2	2	2	2	2	2	2	2			
4	G	T7W E45 408	HEAT EXCHANGER		1		1		1		1				
	G	R01 H04 408	HEAT EXCHANGER			1		1		1		1			
5	G	T97 415 756	COMPRESSOR	ANB52FFJMT	1	1							with RUBBER MOUNTS	MC	
	G	T97 415 769	COMPRESSOR	ANB52FFPMT			1	1	1	1	1	1	with RUBBER MOUNTS	MC	
6	G	R01 E13 410	STOP VALVE 3/8		1		1		1		1				
	G	R01 E23 410	STOP VALVE 1/2			1		1		1		1			
7	G	R01 E13 411	BALL VALVE 3/4		1	1	1	1	1	1	1	1			
8	G	R01 E14 201	THERMISTOR (DISCHARGE)		1	1	1	1	1	1				TH4	
	G	R01 E30 201	THERMISTOR (SHELL)								1	1		TH4	
9	G	R01 45L 450	STRAINER		1	1	1	1	1	1	1	1			
10	G	R01 E40 440	ACCUMULATOR			1		1		1		1			
	G	R01 E59 440	ACCUMULATOR		1		1		1		1				
11	G	R01 E10 467	MUFFLER		1	1	1	1	1	1	1	1			
12	G	R01 E24 413	CHARGE PLUG		2	2	2	2	2	2	1	1			
	G	T7W E09 413	CHARGE PLUG								1	1			
13	G	R01 H19 401	LEV		1	1	1	1	1	1	1	1			
14	G	R01 E50 242	LEV COIL		1	1	1	1	1	1	1	1		LEV-A	
15	G	R01 H01 202	THERMISTOR(2-PHASE PIPE, OUTDOOR)		1	1	1	1	1	1	1	1		TH6,7	
16	G	R01 E12 403	4WAY VALVE			1		1		1		1			
	G	R01 E15 403	4WAY VALVE		1		1		1		1				
17	G	T7W E39 242	SOLENOID COIL		1	1	1	1	1	1	1	1		21S4	
18	G	R01 E06 208	HIGH PRESSURE SWITCH		1	1	1	1	1	1	1	1		63H	
19	G	T7W E30 716	TERMINAL BLOCK	5P(L1,L2,L3,N,⊕)	1	1	1	1	1	1	1	1		TB1	
20	G	R01 E19 246	TERMINAL BLOCK	3P(S1,S2,S3)	1	1	1	1	1	1	1	1		TB2	
21	G	T7W E16 259	REACTOR		1	1	1	1	1	1	1	1		ACL4	
22	G	T7W E24 346	NOISE FILTER		1	1	1	1	1	1	1	1		N.F.	
23	G	T7W E55 315	CONTROLLER BOARD		1	1								C.B.	
	G	T7W E95 315	CONTROLLER BOARD				1	1	1	1	1	1		C.B.	
24	G	R01 30L 241	FUSE HOLDER		2	2	2	2	2	2	2	2			
25	G	R01 E07 239	FUSE	250V 15A	2	2	2	2	2	2	2	2		FUSE1,2	
26	G	R01 E10 233	RESISTOR		1	1	1	1	1	1	1	1		RS	
27	G	T7W E21 255	MAIN SMOOTHING CAPACITOR		2	2	2	2	2	2	2	2		CB1,2	
28	G	—	ELECTRICAL PARTS BOX		1	1	1	1	1	1	1	1	(BK00B702G10)		
29	G	T7W E44 313	POWER BOARD		1	1								P.B.	
	G	T7W E59 313	POWER BOARD				1	1						P.B.	
	G	T7W E66 313	POWER BOARD						1	1	1	1		P.B.	
30	G	T7W E13 259	REACTOR		1	1	1	1	1	1	1	1		DCL	
31	G	R01 E96 202	THERMISTOR (OUTDOOR PIPE)		1	1	1	1	1	1	1	1		TH3	
32	G	R01 E14 239	FUSE	250V 6.3A	2	2	2	2	2	2	2	2		F3,4	

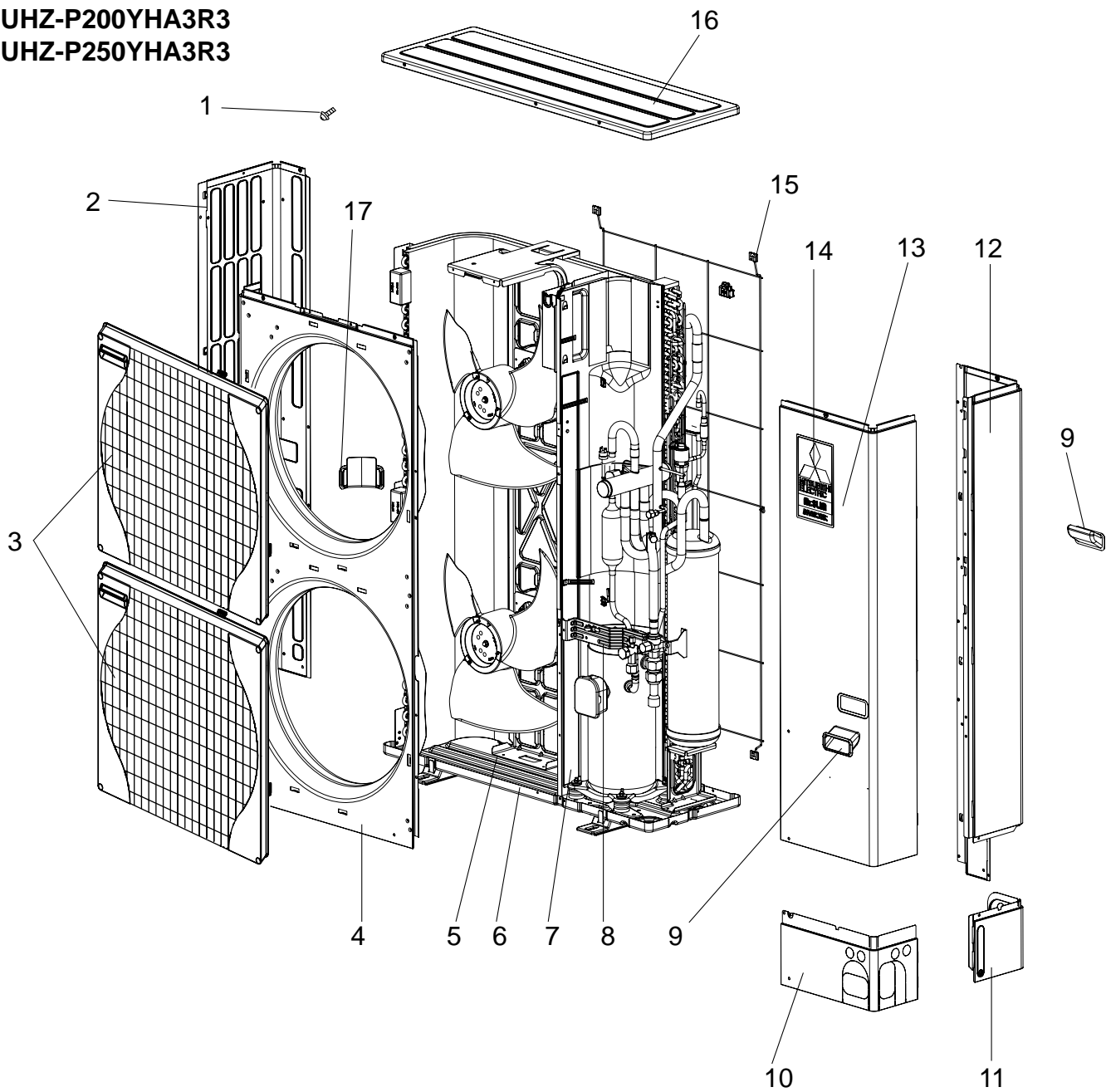
STRUCTURAL PARTS
PUHZ-P200YHA
PUHZ-P250YHA
PUHZ-P200YHA3
PUHZ-P250YHA3





No.	ROHS	Part No.	Part Name	Specification	Q'ty/set				Remarks (Drawing No.)	Wiring Diagram Symbol	Recom- mended Q'ty
					PUHZ-P-YHA		PUHZ-P-YHA3				
					200	250	200	250			
1	G	—	F.ST SCREW	(5×12)	38	38	38	38	(DG12F536H12)		
2	G	R01 E20 662	SIDE PANEL (L)		1		1				
	G	R01 E15 662	SIDE PANEL (L)			1		1			
3	G	T7W E03 691	FAN GRILLE		2	2	2	2			
4	G	T7W E06 667	FRONT PANEL		1	1					
	G	T7W E02 667	FRONT PANEL				1	1			
5	G	T7W E11 130	MOTOR SUPPORT		1						
	G	R01 E28 130	MOTOR SUPPORT			1					
	G	R01 E40 130	MOTOR SUPPORT				1				
	G	R01 E39 130	MOTOR SUPPORT					1			
6	G	R01 E31 686	BASE ASSY		1		1				
	G	R01 E36 686	BASE ASSY			1		1			
7	G	—	SEPARATOR		1	1	1	1	(BK00C374GM1)		
8	G	—	VALVE BED ASSY		1	1	1	1	(BK00C375G06)		
9	G	R01 E01 655	HANDLE		2	2	2	2			
10	G	R01 E13 658	COVER PANEL (FRONT)		1	1	1	1			
11	G	R01 E11 658	COVER PANEL (REAR)		1	1	1	1			
12	G	R01 E29 661	SIDE PANEL(R)		1		1				
	G	T7W E20 661	SIDE PANEL(R)			1		1			
13	G	T7W E07 667	SERVICE PANEL		1	1	1	1			
14	G	—	LABEL(BRAND)		1	1	1	1	(BK79G177H01)		
15	G	R01 E07 698	REAR GUARD		1	1	1	1			
16	G	R01 E28 641	TOP PANEL		1	1	1	1			
17	G	R01 E02 655	HANDLE		1	1	1	1			

STRUCTURAL PARTS
PUHZ-P200YHA3R1
PUHZ-P250YHA3R1
PUHZ-P200YHA3R2
PUHZ-P250YHA3R2
PUHZ-P200YHA3R3
PUHZ-P250YHA3R3





No.	RoHS	Part No.			Part Name	Specification	Q'ty/set		Remarks (Drawing No.)	Wiring Diagram Symbol	Recom- mended Q'ty
							PUHZ-P-YHA3R1 PUHZ-P-YHA3R2 PUHZ-P-YHA3R3				
							200	250			
1	G	—			F.ST SCREW	(5×12)	38	38	(DG12F536H12)		
2	G	R01	E20	662	SIDE PANEL (L)		1				
	G	R01	E15	662	SIDE PANEL (L)			1			
3	G	R01	E33	691	FAN GRILLE		2	2			
4	G	R01	E20	668	FRONT PANEL		1	1			
5	G	R01	E40	130	MOTOR SUPPORT		1				
	G	R01	E39	130	MOTOR SUPPORT			1			
6	G	R01	E31	686	BASE ASSY		1				
	G	R01	E36	686	BASE ASSY			1			
7	G	—			SEPARATOR		1	1	(BK00C374GM1)		
8	G	—			VALVE BED ASSY		1	1	(BK00C375G06)		
9	G	R01	E01	655	HANDLE		2	2			
10	G	R01	E13	658	COVER PANEL (FRONT)		1	1			
11	G	R01	E11	658	COVER PANEL (REAR)		1	1			
12	G	R01	E29	661	SIDE PANEL(R)		1				
	G	T7W	E20	661	SIDE PANEL(R)			1			
13	G	T7W	E07	667	SERVICE PANEL		1	1			
14	G	—			LABEL(BRAND)		1	1	(BK79G177H01)		
15	G	R01	E07	698	REAR GUARD		1	1			
16	G	R01	E28	641	TOP PANEL		1	1			
17	G	R01	E02	655	HANDLE		1	1			

Mr. SLIM™

 **mitsubishi electric corporation**

HEAD OFFICE : TOKYO BLDG., 2-7-3, MARUNOUCHI, CHIYODA-KU, TOKYO 100-8310, JAPAN

©Copyright 2007 MITSUBISHI ELECTRIC ENGINEERING CO., LTD.
Distributed in Nov. 2010 No.OCB424 REVISED EDITION-D
Distributed in Jan. 2010 No.OCB424 REVISED EDITION-C PDF 5
Distributed in Nov. 2009 No.OCB424 REVISED EDITION-B PDF 7
Distributed in Feb. 2009 No.OCB424 REVISED EDITION-A PDF 7
Distributed in Sep. 2007 No.OCB424 PDF 8
Made in Japan

New publication, effective Nov. 2010
Specifications subject to change without notice