

PARTS CATALOG

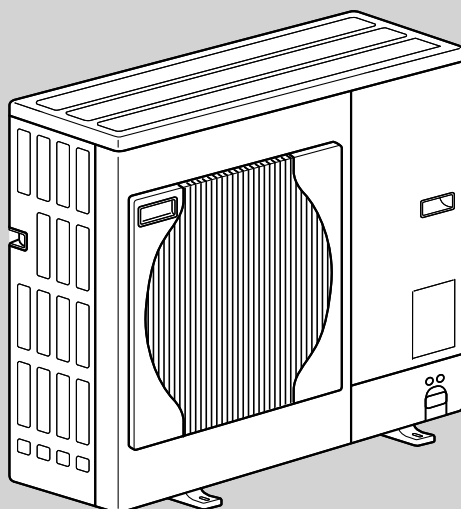
R410A
Outdoor unit
[Model name]
PUHZ-RP35VHA4
PUHZ-RP50VHA4
PUHZ-RP60VHA4
PUHZ-RP71VHA4
PUHZ-RP100VKA
PUHZ-RP125VKA
PUHZ-RP140VKA
PUHZ-RP100YKA
PUHZ-RP125YKA
PUHZ-RP140YKA
PUHZ-RP200YKA
PUHZ-RP250YKA
[Service Ref.]
PUHZ-RP35VHA4
PUHZ-RP50VHA4
PUHZ-RP60VHA4
PUHZ-RP71VHA4
PUHZ-RP100VKA
PUHZ-RP125VKA
PUHZ-RP140VKA
PUHZ-RP100YKA
PUHZ-RP125YKA
PUHZ-RP140YKA
PUHZ-RP200YKA
PUHZ-RP200YKAR1
PUHZ-RP250YKA
Revision:

- PUHZ-RP60/71VHA4R4 and PUHZ-RP100/125YKAR4 have been deleted in REVISED EDITION-D.
- Some descriptions have been modified.

- Please void OCB451 REVISED EDITION-C.

Note:

- RoHS compliant products have <G> mark on the spec name plate.


**PUHZ-RP60VHA4
PUHZ-RP71VHA4**

CONTENTS

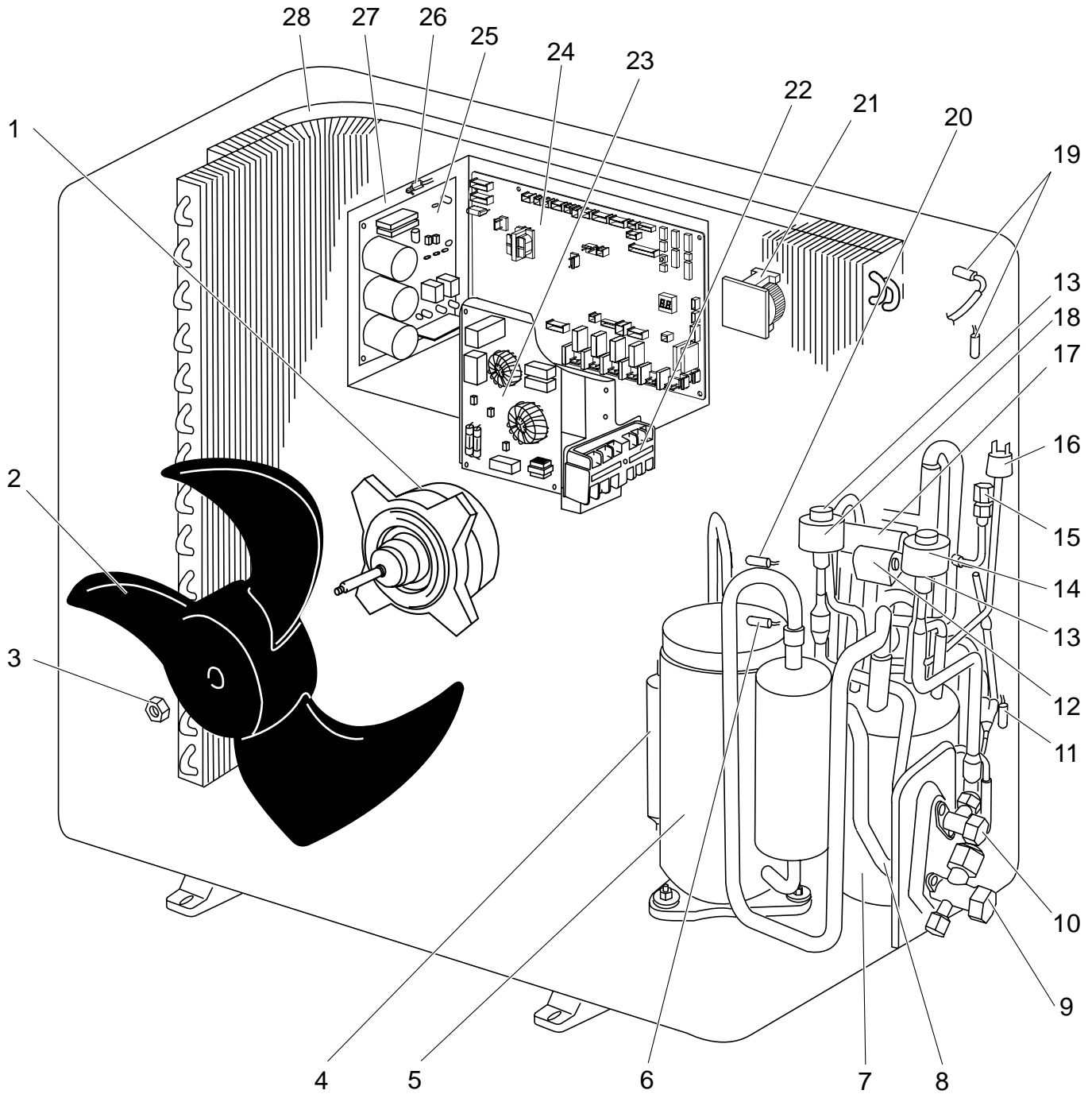
1. RoHS PARTS LIST	2
--------------------------	---

SERVICE MANUAL (OCH451)

FUNCTIONAL AND ELECTRICAL PARTS

PUHZ-RP35VHA4

PUHZ-RP50VHA4



RoHS PARTS LIST

Part numbers that are circled are not shown in the figure.

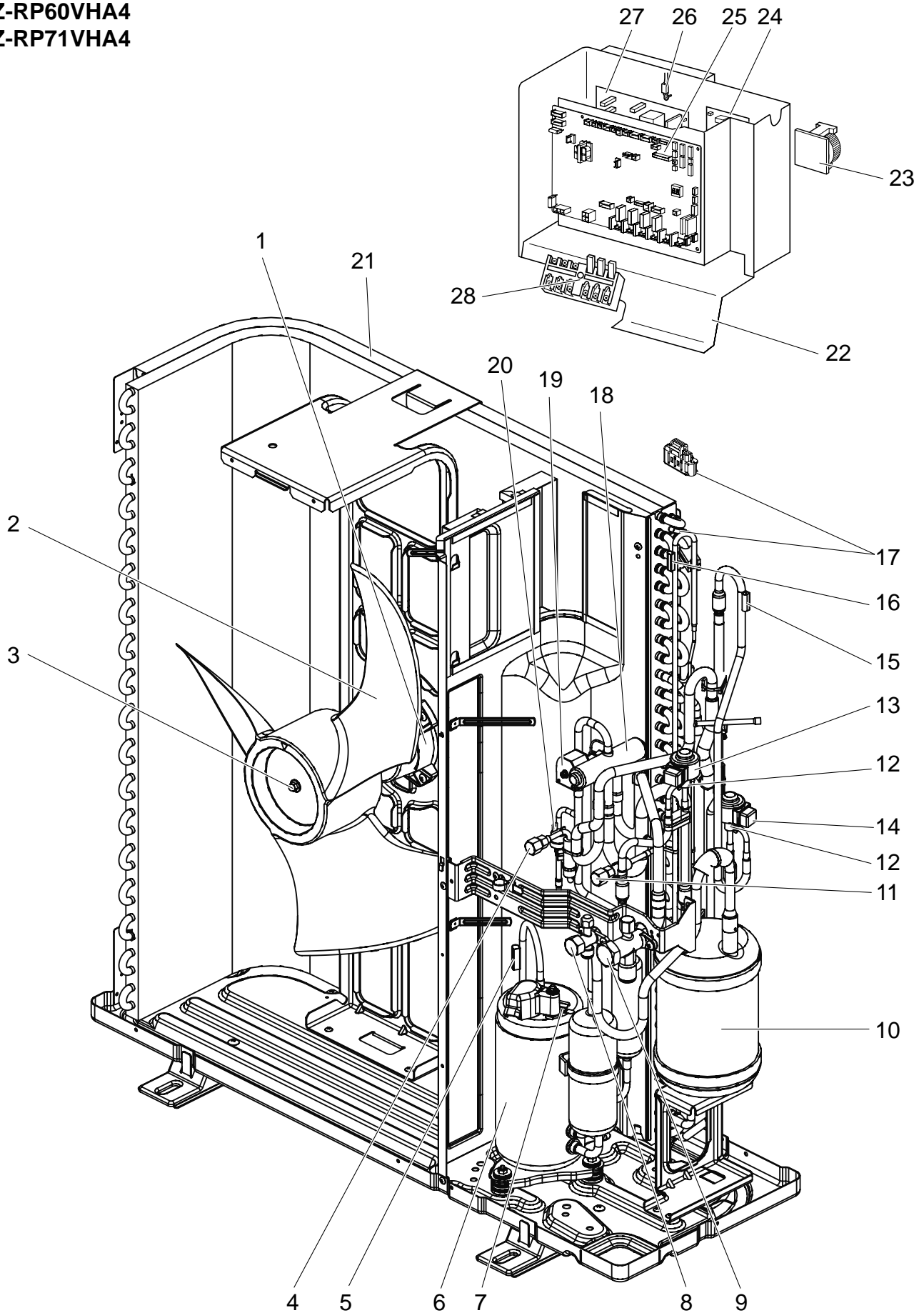
No.	RoHS	Part No.	Part Name	Specification	Q'ty/set		Remarks (Drawing No.)	Wiring Diagram Symbol
					PUHZ-RP-VHA4			
					35	50		
1	G	R01 E52 221	FAN MOTOR		1	1		MF1
2	G	R01 E07 115	PROPELLER FAN		1	1		
3	G	R01 E08 097	NUT		1	1		
4	G	R01 E25 467	MUFFLER		1	1		
5	G	T92 574 280	COMPRESSOR	SNB130FGCH	1	1	Including RUBBER MOUNT	MC
6	G	T7W E10 201	THERMISTOR (COMP. SURFACE)		1	1		TH32
7	G	R01 E66 440	POWER RECEIVER		1	1		
8	G	R01 31L 450	STRAINER		1	1		
9	G	R01 E23 410	STOP VALVE (GAS)	1/2	1	1		
10	G	R01 E10 411	STOP VALVE (LIQUID)	1/4	1	1		
11	G	R01 E98 202	THERMISTOR (LIQUID)		1	1		TH3
12	G	T7W E34 242	SOLENOID COIL <4-WAY VALVE>		1	1		21S4
13	G	R01 E75 401	LEV		2	2		
14	G	R01 E36 242	LEV COIL		1	1		LEV(A)
15	G	R01 E24 413	CHARGE PLUG		1	1		
16	G	R01 E06 208	HIGH PRESUURE SWITCH		1	1		63H
17	G	R01 E29 403	4-WAY VALVE		1	1		
18	G	R01 E37 242	LEV COIL		1	1		LEV(B)
19	G	R01 E97 202	THERMISTOR (OUTDOOR 2PHASE PIPE, AMBIENT)		1	1		TH6, 7
20	G	R01 E18 201	THERMISTOR (DISCHARGE)		1	1		TH4
21	G	R01 E22 259	REACTOR		1	1		ACL
22	G	T7W E28 716	TERMINAL BLOCK	6P (L,N,⊙,S1,S2,S3)	1	1		TB1
23	G	T7W E20 346	NOISE FILTER		1	1		N.F.
24	G	T7W E80 315	CONTROLLER CIRCUIT BOARD		1	1		C.B.
25	G	T7W E54 313	POWER CIRCUIT BOARD		1	1		P.B.
26	G	R01 E99 202	THERMISTOR (HEATSINK)		1	1		TH8
27	G	—	ELECTRICAL PARTS BOX		1	1	(RG00N040G12)	
28	G	R01 E88 408	HEAT EXCHANGER		1	1		
29	G	R01 E06 239	FUSE	250V 6.3A	4	4		F1,2,3,4
30	G	T7W E51 202	THERMISTOR (REF. CHECK)		1	1		TH33

RoHS PARTS LIST

FUNCTIONAL AND ELECTRICAL PARTS

PUHZ-RP60VHA4

PUHZ-RP71VHA4



RoHS PARTS LIST

Part numbers that are circled are not shown in the figure.

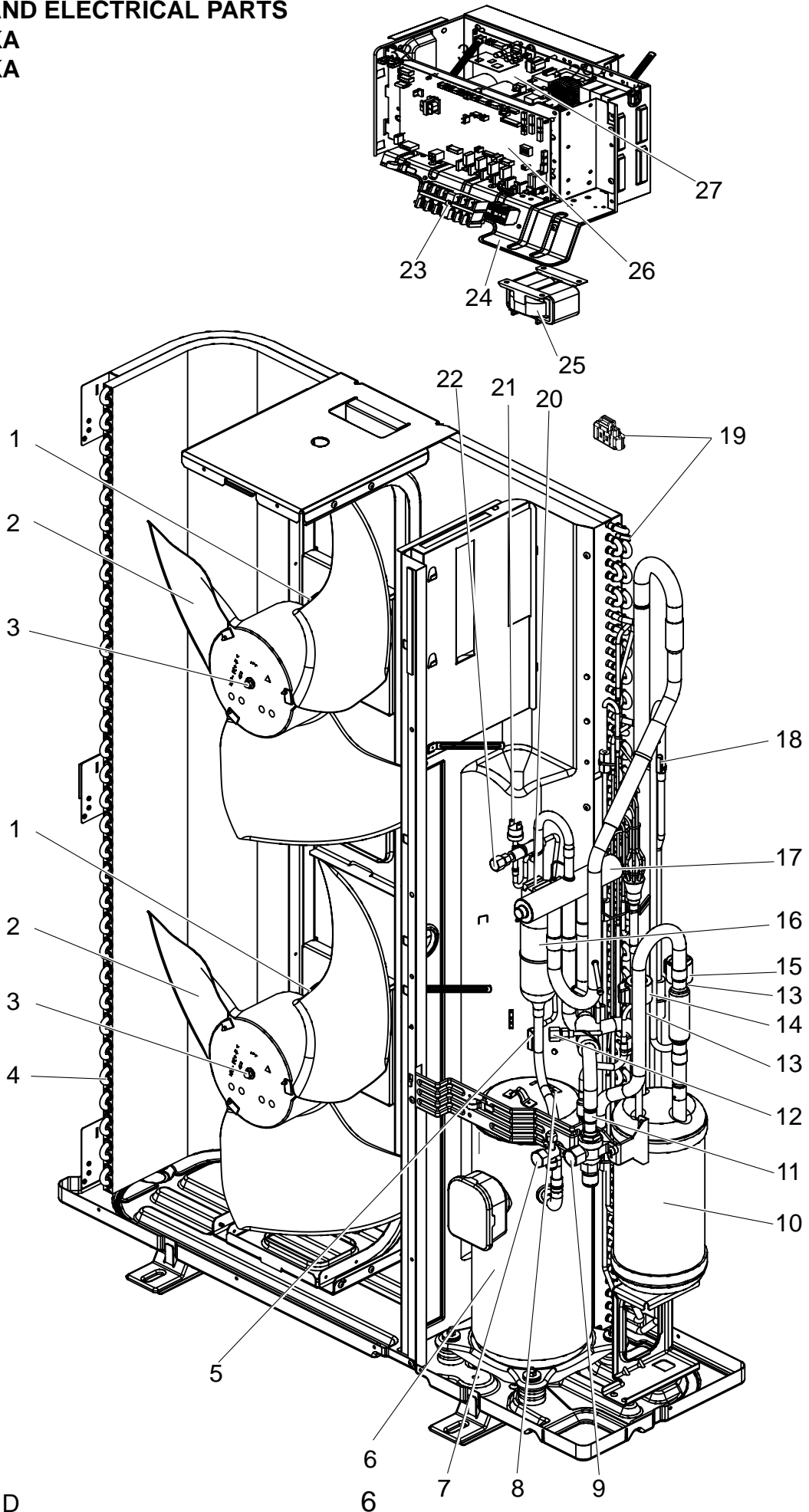
No.	RoHS	Part No.	Part Name	Specification	Q'ty/set		Remarks (Drawing No.)	Wiring Diagram Symbol
					PUHZ-RP-VHA4			
					60	71		
1	G	T7W E27 763	FAN MOTOR		1	1		MF1
2	G	R01 E12 115	PROPELLER FAN		1	1		
3	G	R01 E09 097	NUT		1	1		
4	G	R01 E24 413	CHARGE PLUG		1	1		
5	G	T7W E04 201	THERMISTOR (DISCHARGE)		1	1		TH4
6	G	T92 576 280	COMPRESSOR	SNB172FDHM1	1	1	Including RUBBER MOUNT	MC
7	G	T7W E11 201	THERMISTOR (COMP. SURFACE)		1	1		TH32
8	G	R01 E25 410	STOP VALVE	3/8	1	1		
9	G	R01 E24 410	STOP VALVE	5/8	1	1		
10	G	R01 E42 440	POWER RECEIVER		1	1		
11	G	T7W E09 413	CHARGE PLUG		1	1		
12	G	R01 E79 401	LEV		2	2		
13	G	R01 E85 242	LEV COIL		1	1		LEV(A)
14	G	T7W E46 242	LEV COIL		1	1		LEV(B)
15	G	R01 H79 202	THERMISTOR (REF. CHECK)		1	1		TH33
16	G	R01 N03 202	THERMISTOR (LIQUID)		1	1		TH3
17	G	R01 E94 202	THERMISTOR (OUTDOOR 2PHASE PIPE, AMBIENT)		1	1		TH6, 7
18	G	R01 E13 403	4-WAY VALVE		1	1		
19	G	T7W E29 242	SOLENOID COIL <4-WAY VALVE>		1	1		21S4
20	G	R01 E06 208	HIGH PRESSURE SWITCH		1	1		63H
21	G	R01 E83 408	HEAT EXCHANGER		1	1		
22	G	—	ELECTRICAL PARTS BOX		1	1	(BK00B055G77)	
23	G	R01 E33 259	REACTOR		1	1		ACL
24	G	T7W E21 346	NOISE FILTER CIRCUIT BOARD		1	1		N.F.
25	G	T7W E80 315	CONTROLLER CIRCUIT BOARD		1	1		C.B.
26	G	R01 E99 202	THERMISTOR (HEATSINK)		1	1		TH8
27	G	T7W E67 313	POWER CIRCUIT BOARD		1	1		P.B.
28	G	T7W E29 716	TERMINAL BLOCK	6P (L,N,0,S1,S2,S3)	1	1		TB1
(29)	G	R01 E06 239	FUSE	250V 6.3A	4	4		F1,2,3,4

RoHS PARTS LIST

FUNCTIONAL AND ELECTRICAL PARTS

PUHZ-RP100VKA

PUHZ-RP125VKA



RoHS PARTS LIST

Part numbers that are circled are not shown in the figures.

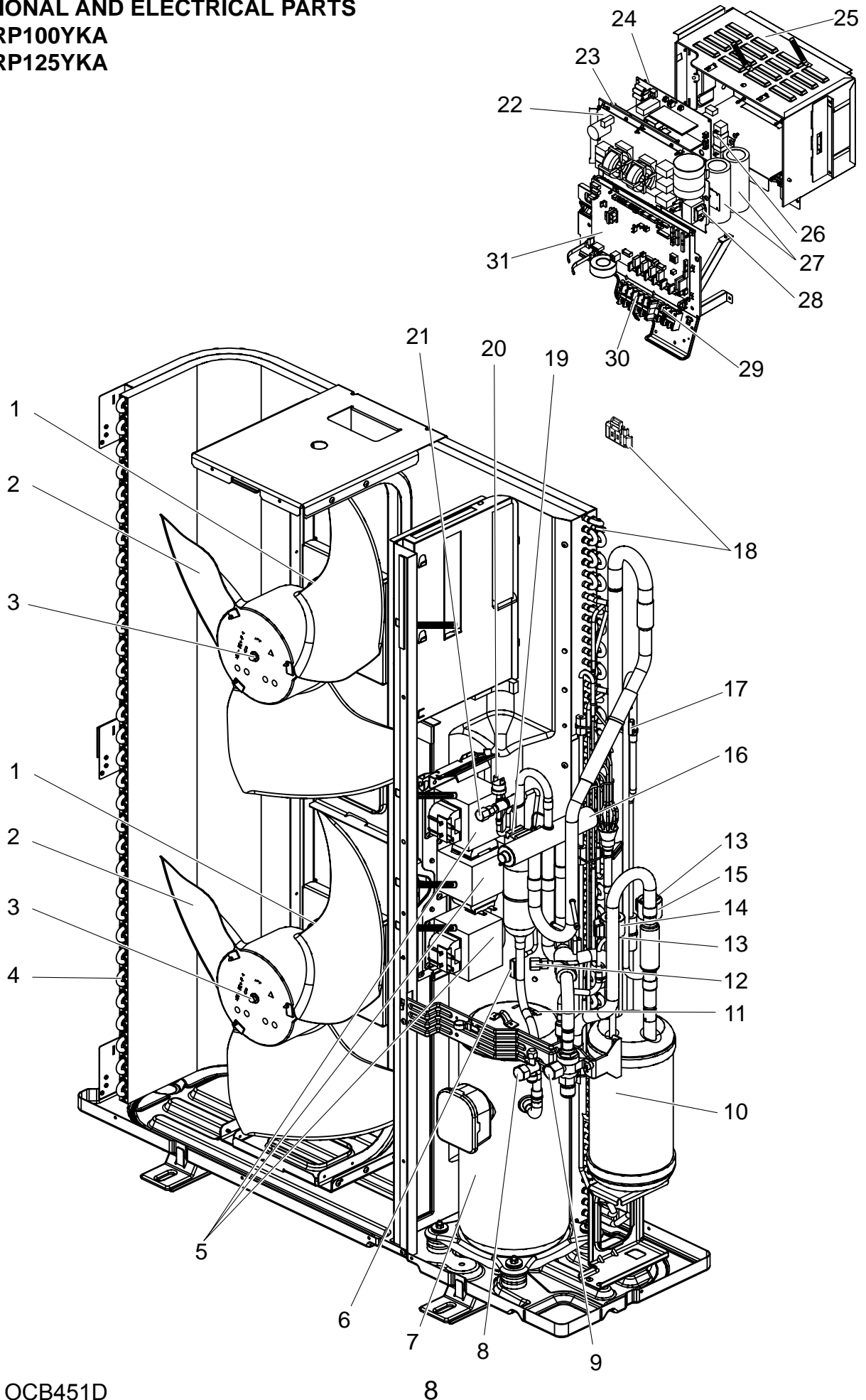
No.	RoHS	Part No.	Part Name	Specification	Q'ty/set		Remarks (Drawing No.)	Wiring Diagram Symbol
					PUHZ-RP-VKA			
					100	125		
1	G	R01 E50 221	FAN MOTOR		2	2		MF1,2
2	G	R01 E10 115	PROPELLER FAN		2	2		
3	G	R01 E09 097	NUT		2	2		
4	G	R01 H10 408	HEAT EXCHANGER		1	1		
5	G	T7W E04 201	THERMISTOR (DISCHARGE)		1	1		TH4
6	G	T97 415 773	COMPRESSOR	ANB33FDUMT	1	1	With RUBBER MOUNTS	MC
7	G	R01 E25 410	STOP VALVE	3/8	1	1		
8	G	T7W E11 201	THERMISTOR (COMP. SURFACE)		1	1		TH32
9	G	R01 E12 410	BALL VALVE	5/8	1	1		
10	G	R01 E60 440	POWER RECEIVER		1	1		
11	G	R01 32L 450	STRAINER		1	1		
12	G	R01 E24 413	CHARGE PLUG		1	1		
13	G	R01 H20 401	LEV		2	2		
14	G	R01 E88 242	LEV COIL		1	1		LEV(B)
15	G	R01 E86 242	LEV COIL		1	1		LEV(A)
16	G	R01 E10 467	MUFFLER		1	1		
17	G	R01 E15 403	4-WAY VALVE		1	1		
18	G	R01 H79 202	THERMISTOR (REF. CHECK)		1	1		TH33
19	G	R01 E94 202	THERMISTOR (OUTDOOR 2PHASE PIPE, AMBIENT)		1	1		TH6,7
20	G	T7W E41 242	SOLENOID COIL <4-WAY VALVE>		1	1		21S4
21	G	R01 E06 208	HIGH PRESSURE SWITCH		1	1		63H
22	G	T7W E09 413	CHARGE PLUG		1	1		
23	G	T7W E29 716	TERMINAL BLOCK	6P (L,N,0,S1,S2,S3)	1	1		TB1
24	G	—	ELECTRICAL PARTS BOX		1	1	(BK00B055G94)	
25	G	T7W E20 259	REACTOR		1	1		DCL
26	G	T7W E91 315	CONTROLLER CIRCUIT BOARD		1	1		C.B.
27	G	T7W E75 313	POWER CIRCUIT BOARD		1	1		P.B.
28	G	R01 E06 239	FUSE	250V 6.3A	4	4		F1,2,3,4
29	G	R01 H00 202	THERMISTOR (LIQUID)		1	1		TH3
30	G	R01 E20 254	MAIN SMOOTHING CAPACITOR		1	1		CB

RoHS PARTS LIST

FUNCTIONAL AND ELECTRICAL PARTS

PUHZ-RP100YKA

PUHZ-RP125YKA



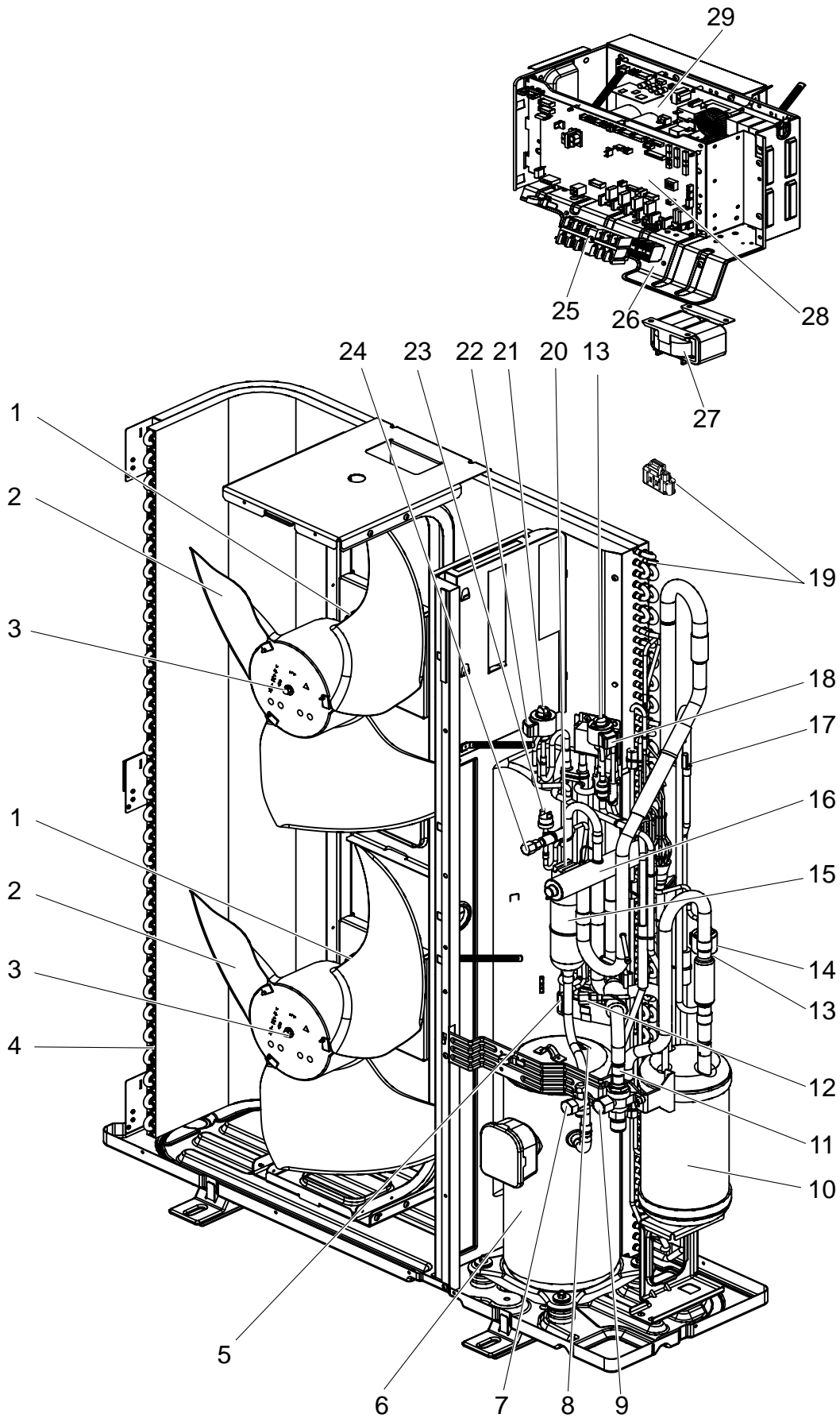
RoHS PARTS LIST

Part numbers that are circled are not shown in the figures.

No.	RoHS	Part No.	Part Name	Specification	Q'ty/set		Remarks (Drawing No.)	Wiring Diagram Symbol
					PUHZ-RP-YKA			
					100	125		
1	G	R01 E50 221	FAN MOTOR		2	2		MF1,2
2	G	R01 E10 115	PROPELLER FAN		2	2		
3	G	R01 E09 097	NUT		2	2		
4	G	R01 H10 408	HEAT EXCHANGER		1	1		
5	G	T7W E21 259	REACTOR		3			ACL1,2,3
	G	T7W E22 259	REACTOR			3		ACL1,2,3
6	G	T7W E04 201	THERMISTOR (DISCHARGE)		1	1		TH4
7	G	T97 577 281	COMPRESSOR	ANB33FDVMT	1	1	With RUBBER MOUNTS	MC
8	G	R01 E25 410	STOP VALVE	3/8	1	1		
9	G	R01 E12 410	BALL VALVE	5/8	1	1		
10	G	R01 E60 440	POWER RECEIVER		1	1		
11	G	T7W E11 201	THERMISTOR (COMP. SURFACE)		1	1		TH32
12	G	R01 E24 413	CHARGE PLUG		1	1		
13	G	R01 H20 401	LEV		2	2		
14	G	R01 E49 242	LEV COIL		1	1		LEV(B)
15	G	R01 E50 242	LEV COIL		1	1		LEV(A)
16	G	R01 E15 403	4-WAY VALVE		1	1		
17	G	R01 H79 202	THERMISTOR (REF. CHECK)		1	1		TH33
18	G	R01 H01 202	THERMISTOR (OUTDOOR 2PHASE PIPE, AMBIENT)		1	1		TH6,7
19	G	T7W E41 242	SOLENOID COIL <4-WAY VALVE>		1	1		21S4
20	G	R01 E06 208	HIGH PRESUURE SWITCH		1	1		63H
21	G	T7W E09 413	CHARGE PLUG		1	1		
22	G	T7W E23 346	NOISE FILTER CIRCUIT BOARD		1	1		N.F.
23	G	T7W E75 310	CONVERTER CIRCUIT BOARD		1	1		CONV.B.
24	G	T7W E58 313	POWER CIRCUIT BOARD		1	1		P.B.
25	G	—	ELECTRICAL PARTS BOX		1	1	(BK00C410G15)	
26	G	R01 E10 233	RESISTOR		1	1		RS
27	G	R01 E02 254	MAIN SMOOTHING CAPACITOR		2	2		CB1,CB2
28	G	R01 E31 259	REACTOR		1	1		ACL4
29	G	R01 E18 246	TERMINAL BLOCK	3P (S1,S2,S3)	1	1		TB2
30	G	T7W E30 716	TERMINAL BLOCK	5P (L1,L2,L3,N,⊙)	1	1		TB1
31	G	T7W E91 315	CONTROLLER CIRCUIT BOARD		1	1		C.B.
32	G	R01 E06 239	FUSE	250V 6.3A	4	4		F1,2,3,4
33	G	R01 H00 202	THERMISTOR (LIQUID)		1	1		TH3
34	G	T7W E10 254	CAPACITOR		1	1		CK

RoHS PARTS LIST

FUNCTIONAL AND ELECTRICAL PARTS PUHZ-RP140VKA



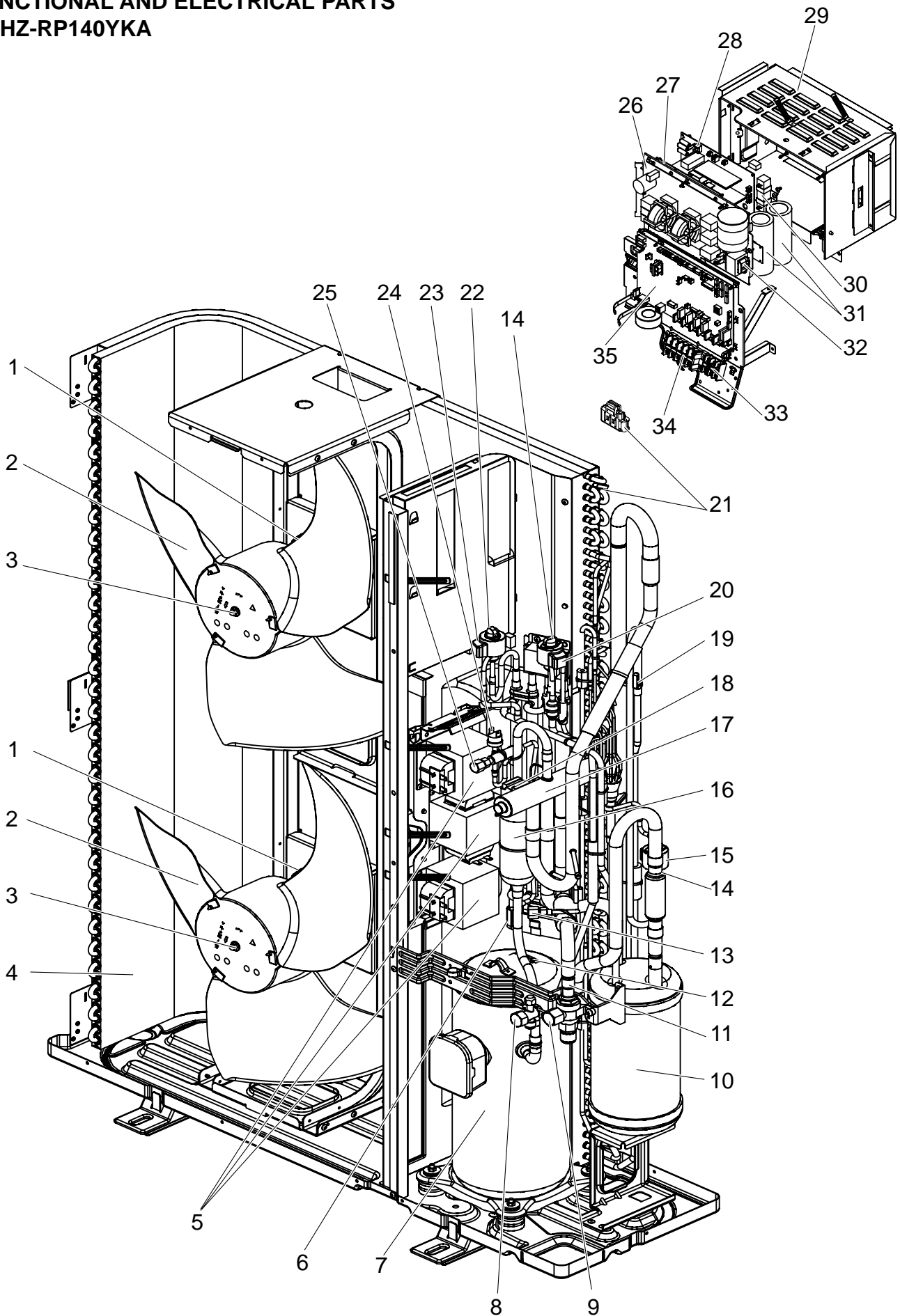
RoHS PARTS LIST

Part numbers that are circled are not shown in the figures.

No.	RoHS	Part No.	Part Name	Specification	Q'ty/set	Remarks (Drawing No.)	Wiring Diagram Symbol
					PUHZ-RP140VKA		
1	G	R01 E50 221	FAN MOTOR		2		MF1,2
2	G	R01 E10 115	PROPELLER FAN		2		
3	G	R01 E09 097	NUT		2		
4	G	R01 H10 408	HEAT EXCHANGER		1		
5	G	T7W E04 201	THERMISTOR (DISCHARGE)		1		21S4
6	G	T97 415 775	COMPRESSOR	ANB42FDWMT	1	With RUBBER MOUNTS	MC
7	G	R01 E25 410	STOP VALVE	3/8	1		
8	G	T7W E11 201	THERMISTOR (COMP. SURFACE)		1		TH32
9	G	R01 E12 410	BALL VALVE	5/8	1		
10	G	R01 E60 440	POWER RECEIVER		1		
11	G	R01 32L 450	STRAINER		1		
12	G	R01 E24 413	CHARGE PLUG		1		
13	G	R01 H20 401	LEV		2	for LEV-A,B	
14	G	R01 E86 242	LEV COIL		1		LEV(A)
15	G	R01 E10 467	MUFFLER		1		
16	G	R01 E15 403	4-WAY VALVE		1		
17	G	R01 H79 202	THERMISTOR (REF. CHECK)		1		TH33
18	G	R01 E49 242	LEV COIL		1		LEV(B)
19	G	R01 E94 202	THERMISTOR (OUTDOOR 2PHASE PIPE, AMBIENT)		1		TH6,7
20	G	T7W E41 242	SOLENOID COIL <4-WAY VALVE>		1		21S4
21	G	T7W E26 401	LEV		1	for LEV-C	
22	G	R01 E68 242	LEV COIL		1		LEV(C)
23	G	R01 E06 208	HIGH PRESSURE SWITCH		1		63H
24	G	T7W E09 413	CHARGE PLUG		1		
25	G	T7W E29 716	TERMINAL BLOCK	6P (L,N,⊙,S1,S2,S3)	1		TB1
26	G	—	ELECTRICAL PARTS BOX		1	(BK00B055G94)	
27	G	T7W E20 259	REACTOR		1		DCL
28	G	T7W E91 315	CONTROLLER CIRCUIT BOARD		1		C.B.
29	G	T7W E76 313	POWER CIRCUIT BOARD		1		P.B.
30	G	R01 E06 239	FUSE	250V 6.3A	4		F1,2,3,4
31	G	R01 H00 202	THERMISTOR (LIQUID)		1		TH3
32	G	R01 E20 254	MAIN SMOOTHING CAPACITOR		1		CB

RoHS PARTS LIST

FUNCTIONAL AND ELECTRICAL PARTS PUHZ-RP140YKA



RoHS PARTS LIST

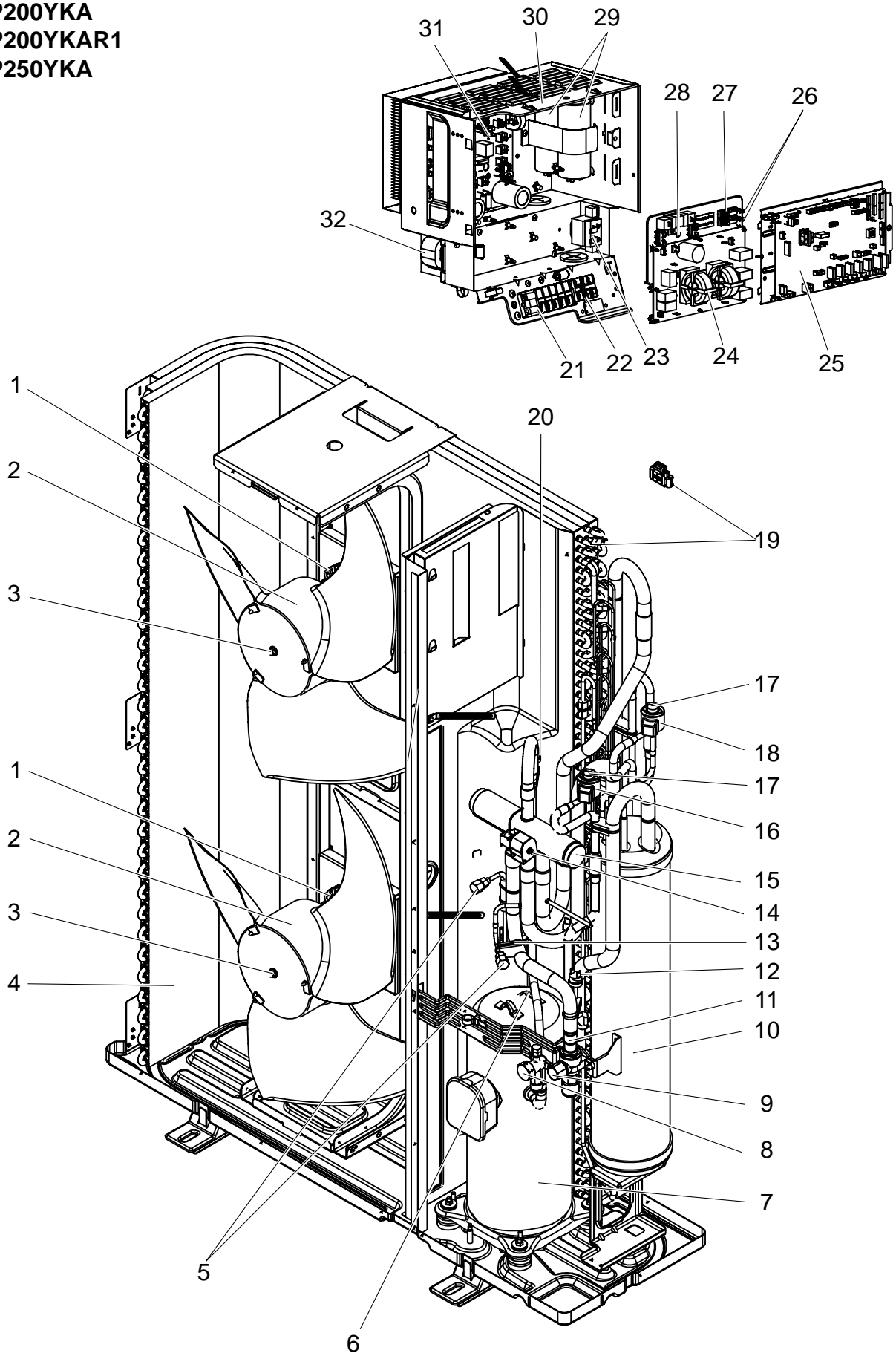
Part numbers that are circled are not shown in the figures.

No.	RoHS	Part No.	Part Name	Specification	Q'ty/set	Remarks (Drawing No.)	Wiring Diagram Symbol
					PUHZ-RP140YKA		
1	G	R01 E50 221	FAN MOTOR		2		MF1,2
2	G	R01 E10 115	PROPELLER FAN		2		
3	G	R01 E09 097	NUT		2		
4	G	R01 H10 408	HEAT EXCHANGER		1		
5	G	T7W E12 259	REACTOR		3		ACL1,2,3
6	G	T7W E04 201	THERMISTOR (DISCHARGE)		1		TH4
7	G	T97 415 776	COMPRESSOR	ANB42FDXMT	1	With RUBBER MOUNTS	MC
8	G	R01 E25 410	STOP VALVE	3/8	1		
9	G	R01 E12 410	BALL VALVE	5/8	1		
10	G	R01 E60 440	POWER RECEIVER		1		
11	G	R01 32L 450	STRAINER		1		
12	G	T7W E11 201	THERMISTOR (COMP. SURFACE)		1		TH32
13	G	R01 E24 413	CHARGE PLUG		1		
14	G	R01 H20 401	LEV		2	for LEV-A,B	
15	G	R01 E50 242	LEV COIL		1		LEV(A)
16	G	R01 E10 467	MUFFLER		1		
17	G	R01 E15 403	4-WAY VALVE		1		
18	G	T7W E41 242	SOLENOID COIL <4-WAY VALVE>		1		21S4
19	G	R01 H79 202	THERMISTOR (REF. CHECK)		1		TH33
20	G	R01 E49 242	LEV COIL		1		LEV(B)
21	G	R01 H01 202	THERMISTOR (OUTDOOR 2PHASE PIPE, AMBIENT)		1		TH6,7
22	G	T7W E26 401	LEV		1	for LEV-C	
23	G	R01 E68 242	LEV COIL		1		LEV(C)
24	G	R01 E06 208	HIGH PRESSURE SWITCH		1		63H
25	G	T7W E09 413	CHARGE PLUG		1		
26	G	T7W E23 346	NOISE FILTER CIRCUIT BOARD		1		N.F.
27	G	T7W E75 310	CONVERTER CIRCUIT BOARD		1		CONV.B.
28	G	T7W E58 313	POWER CIRCUIT BOARD		1		P.B.
29	G	—	ELECTRICAL PARTS BOX		1	(BK00C410G15)	
30	G	R01 E10 233	RESISTOR		1		RS
31	G	R01 E02 254	MAIN SMOOTHING CAPACITOR		2		CB1,CB2
32	G	R01 E31 259	REACTOR		1		ACL4
33	G	R01 E18 246	TERMINAL BLOCK	3P (S1,S2,S3)	1		TB2
34	G	T7W E30 716	TERMINAL BLOCK	5P (L1,L2,L3,N,⊙)	1		TB1
35	G	T7W E91 315	CONTROLLER CIRCUIT BOARD		1		C.B.
36	G	R01 E06 239	FUSE	250V 6.3A	4		F1,2,3,4
37	G	R01 H00 202	THERMISTOR (LIQUID)		1		TH3
38	G	T7W E10 254	CAPACITOR		1		CK

RoHS PARTS LIST

FUNCTIONAL AND ELECTRICAL PARTS

PUHZ-RP200YKA
 PUHZ-RP200YKAR1
 PUHZ-RP250YKA



RoHS PARTS LIST

Part numbers that are circled are not shown in the figures.

No.	RoHS	Part No.	Part Name	Specification	Q'ty/set			Remarks (Drawing No.)	Wiring Diagram Symbol	Recom- mended Q'ty
					PUHZ-RP					
					200	250	200			
YKA		YKAR1								
1	G	R01 E46 221	FAN MOTOR		2	2	2		MF1,2	
2	G	R01 E10 115	PROPELLER FAN		2	2	2			
3	G	R01 E09 097	NUT	M6	2	2	2			
4	G	R01 H11 408	HEAT EXCHANGER		1	1	1			
5	G	R01 E24 413	CHARGE PLUG		2	2	2			
6	G	T7W E11 201	THERMISTOR (COMP. SURFCE)		1	1	1		TH32	
7*	G	T97 415 769	COMPRESSOR	ANB52FFPMT	1		1	With RUBBER MOUNTS	MC	
	G	T97 415 789	COMPRESSOR	ANB66FFZMT		1		With RUBBER MOUNTS	MC	
8	G	R01 E25 410	STOP VALVE 3/8		1		1			
	G	R01 E23 410	STOP VALVE 1/2			1				
9	G	R01 E13 411	BALL VALVE 3/4		1	1	1			
10	G	T7W E19 440	POWER RECEIVER		1	1	1			
11	G	R01 45L 450	STRAINER		1	1	1			
12	G	T7W E06 208	HIGH PRESSURE SWITCH	OFF 3.6MPa		1			63H2	
13	G	T7W E04 201	THERMISTOR (DISCHARGE)		1	1	1		TH4	
14	G	T7W E53 242	SOLENOID COIL		1	1	1		21S4	
15	G	R01 E12 403	4-WAY VALVE		1	1	1			
16	G	T7W E54 242	LEV COIL		1	1	1		LEV-B	
17	G	R01 H27 401	LEV		2	2	2			
18	G	R01 E50 242	LEV COIL		1	1	1		LEV-A	
19	G	R01 N00 202	THERMISTOR (OUTDOOR 2PHASE PIPE, AMBIENT)		1	1	1		TH6,7	
20	G	T7W E06 208	HIGH PRESSURE SWITCH	OFF 3.6MPa	1		1		63H	
	G	R01 E06 208	HIGH PRESSURE SWITCH	OFF 4.14MPa		1			63H1	
21	G	T7W E30 716	TERMINAL BLOCK	5P (L1,L2,L3,N,⊙)	1	1	1		TB1	
22	G	R01 E19 246	TERMINAL BLOCK	3P (S1,S2,S3)	1	1	1		TB2	
23	G	T7W E16 259	REACTOR		1	1	1		ACL4	
24	G	T7W E24 346	NOISE FILTER		1	1	1		N.F.	
25	G	T7W E82 315	CONTROLLER BOARD		1	1			C.B.	
	G	T7W E92 315	CONTROLLER BOARD				1		C.B.	
26	G	R01 30L 241	FUSE HOLDER		2	2	2			
27	G	R01 E07 239	FUSE	250V 15A	2	2	2		FUSE1,2	
28	G	R01 E10 233	RESISTOR		1	1	1		RS	
29	G	R01 E02 254	MAIN SMOOTHING CAPACITOR		2	2	2		CB1,2	
30	G	—	ELECTRICAL PARTS BOX		1	1	1	(BK00B702G29)		
31	G	T7W E59 313	POWER BOARD		1	1			P.B.	
	G	T7W E66 313	POWER BOARD				1		P.B.	
32	G	T7W E13 259	REACTOR		1	1	1		DCL	
33	G	R01 E96 202	THERMISTOR (LIQUID)		1	1	1		TH3	
34	G	R01 E06 239	FUSE	250V 6.3A	2	2	2		F3,4	
35	G	R01 E10 467	MUFFLER		1	1	1			

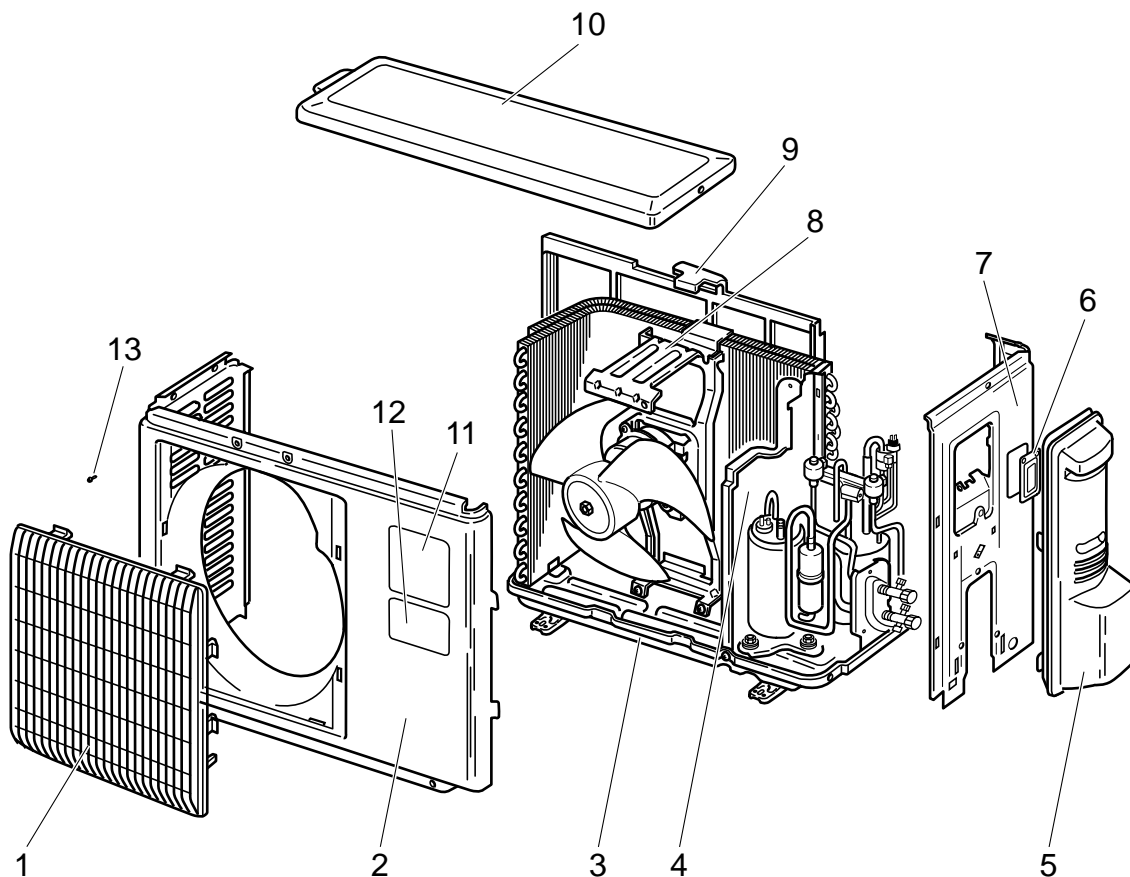
* The compressors are changed in model name from ANB52FFQMT (T97 415 770) and ANB66FFRMT (T97 415 777) to ANB52FFPMT (T97 415 769) and ANB66FFZMT (T97 415 789) respectively for the change of oil amount. The new types of compressors are equipped in the outdoor units produced from July 2011. Both old and new types of the compressors can substitute for each other.

RoHS PARTS LIST

STRUCTURAL PARTS

PUHZ-RP35VHA4

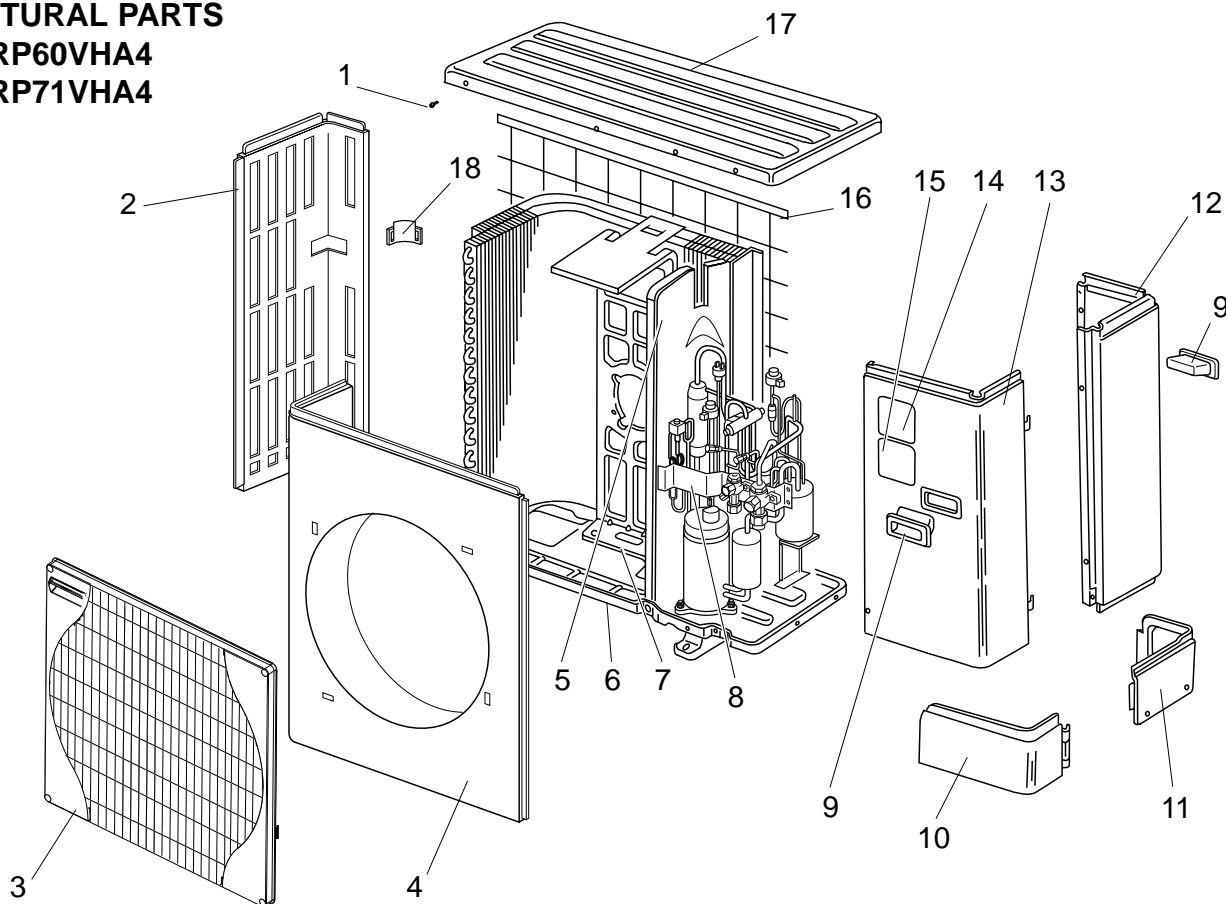
PUHZ-RP50VHA4



No.	RoHS	Part No.	Part Name	Specification	Q'ty/set		Remarks (Drawing No.)	Wiring Diagram Symbol
					PUHZ-RP-VHA4			
					35	50		
1	G	R01 E30 691	GRILLE		1	1		
2	G	R01 E25 668	FRONT PANEL		1	1		
3	G	R01 E29 686	BASE ASSY		1	1		
4	G	—	SEPARATOR		1	1	(SU00B229G37)	
5	G	T7W E12 668	SERVICE PANEL		1	1		
6	G	R01 E01 518	SERVICE PANEL		1	1		
7	G	R01 E06 682	BACK PANEL		1	1		
8	G	R01 E29 130	MOTOR SUPPORT		1	1		
9	G	R01 E02 684	CONDENSER NET		1	1		
10	G	T7W E05 641	TOP PANEL		1	1		
11	G	—	LABEL (MITSUBISHI)		1	1	(DG79R130H03)	
12	G	—	LABEL (INVERTER)		1	1	(BK79C208G02)	
13	G	—	F.ST SCREW	(4×10)	12	12	(Z504K189H37)	

RoHS PARTS LIST

STRUCTURAL PARTS PUHZ-RP60VHA4 PUHZ-RP71VHA4



No.	RoHS	Part No.	Part Name	Specification	Q'ty/set		Remarks (Drawing No.)	Wiring Diagram Symbol
					60	71		
1	G	—	F.ST SCREW	(5×12)	31	31	(DG12F536H12)	
2	G	R01 E19 662	SIDE PANEL (L)		1	1		
3	G	R01 E33 691	FAN GRILLE		1	1		
4	G	R01 E13 668	FRONT PANEL		1	1		
5	G	—	SEPARATOR		1	1	(BK00C143GH4)	
6	G	R01 E44 686	BASE ASSY		1	1		
7	G	R01 E30 130	MOTOR SUPPORT		1	1		
8	G	—	VALVE BED		1	1	(BK00C375G06)	
9	G	R01 E01 655	HANDLE		2	2		
10	G	R01 E12 658	COVER PANEL (FRONT)		1	1		
11	G	R01 E11 658	COVER PANEL (REAR)		1	1		
12	G	R01 E46 661	SIDE PANEL (R)		1	1		
13	G	T7W E07 668	SERVICE PANEL		1	1		
14	G	—	LABEL (MITSUBISHI)		1	1	(DG79R130H03)	
15	G	—	LABEL (INVERTER)		1	1	(BK79C208G02)	
16	G	R01 E06 698	REAR GUARD		1	1		
17	G	R01 E14 641	TOP PANEL		1	1		
18	G	R01 E02 655	HANDLE		1	1		

RoHS PARTS LIST

No.	RoHS	Part No.	Part Name	Specifi- cation	Q'ty/set								Remarks (Drawing No.)	Wiring Diagram Symbol
					PUHZ-RP-KA PUHZ-RP-KAR1									
					100V	125V	140V	100Y	125Y	140Y	200Y	250Y		
1	G	—	F.ST SCREW	(5x12)	38	38	38	38	38	38	38	38	(DG12F536H12)	
2	G	R01 E29 662	SIDE PANEL (L)		1	1	1	1	1	1	1	1		
3	G	T7W E08 691	FAN GRILLE		2	2	2	2	2	2	2	2		
4	G	R01 E04 655	HANDLE		2	2	2	2	2	2	2	2		
5	G	T7W E13 667	FRONT PANEL		1	1	1	1	1	1	1	1		
6	G	R01 E47 130	MOTOR SUPPORT		1	1	1	1	1	1				
	G	R01 E48 130	MOTOR SUPPORT								1	1		
7	G	R01 E41 686	BASE ASSY		1	1	1	1	1	1	1	1		
8	G	—	SEPARATOR		1	1							(BK00B817GC9)	
	G	—	SEPARATOR				1						(BK00B817GD1)	
	G	—	SEPARATOR					1	1				(BK00B817GC7)	
	G	—	SEPARATOR							1			(BK00B817GD0)	
	G	—	SEPARATOR								1	1	(BK00B817GC8)	
9	G	—	VALVE BED		1	1	1	1	1	1	1	1	(BK00C375G07)	
10	G	R01 E03 655	HANDLE		2	2	2	2	2	2	2	2		
11	G	T7W E13 658	COVER PANEL (FRONT)		1	1	1	1	1	1		1		
	G	R01 E28 658	COVER PANEL (FRONT)								1			
12	G	R01 E34 658	COVER PANEL (REAR)		1	1	1	1	1	1	1			
	G	T7W E12 658	COVER PANEL (REAR)									1		
13	G	R01 E49 661	SIDE PANEL (R)		1	1	1							
	G	T7W E28 661	SIDE PANEL (R)					1	1	1				
	G	T7W E29 661	SIDE PANEL (R)								1	1		
14	G	T7W E15 668	SERVICE PANEL		1	1	1	1	1	1	1	1		
15	G	—	LABEL (MITSUBISHI)		1	1	1	1	1	1	1	1	(DG79R130H03)	
16	G	—	LABEL (INVERTER)		1	1	1	1	1	1	1	1	(BK79C208G02)	
17	G	R01 E10 698	REAR GUARD		1	1	1	1	1	1	1	1		
18	G	R01 E33 641	TOP PANEL		1	1	1	1	1	1	1	1		

Mr. SLIM™

MITSUBISHI ELECTRIC CORPORATION

HEAD OFFICE : TOKYO BLDG., 2-7-3, MARUNOUCHI, CHIYODA-KU, TOKYO 100-8310, JAPAN

©Copyright 2009 MITSUBISHI ELECTRIC CORPORATION
Distributed in May 2013 No.OCB451 REVISED EDITION-D
Distributed in Nov. 2012 No.OCB451 REVISED EDITION-C
Distributed in Jul. 2011 No.OCB451 REVISED EDITION-B
Distributed in Jan. 2010 No.OCB451 REVISED EDITION-A PDF 5
Distributed in May 2009 No.OCB451 PDF 7
Made in Japan

New publication, effective May 2013
Specifications are subject to change without notice.