

# PARTS CATALOG

## Series PLA Ceiling Cassettes R410A

Indoor unit  
[Model names]

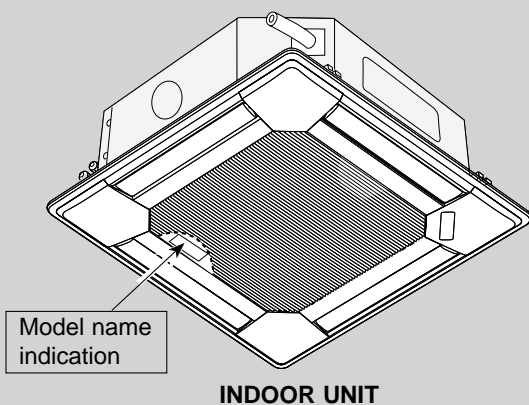
PLA-ZRP100BA

[Service Ref.]

**PLA-ZRP100BA**

NOTE:

- RoHS compliant products have <G> mark on the spec name plate.



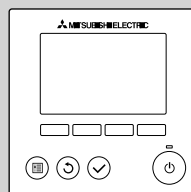
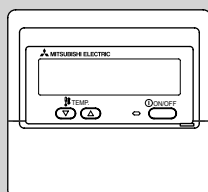
### CONTENTS

1. RoHS PARTS LIST ..... 2

**SERVICE MANUAL (OCH529)**



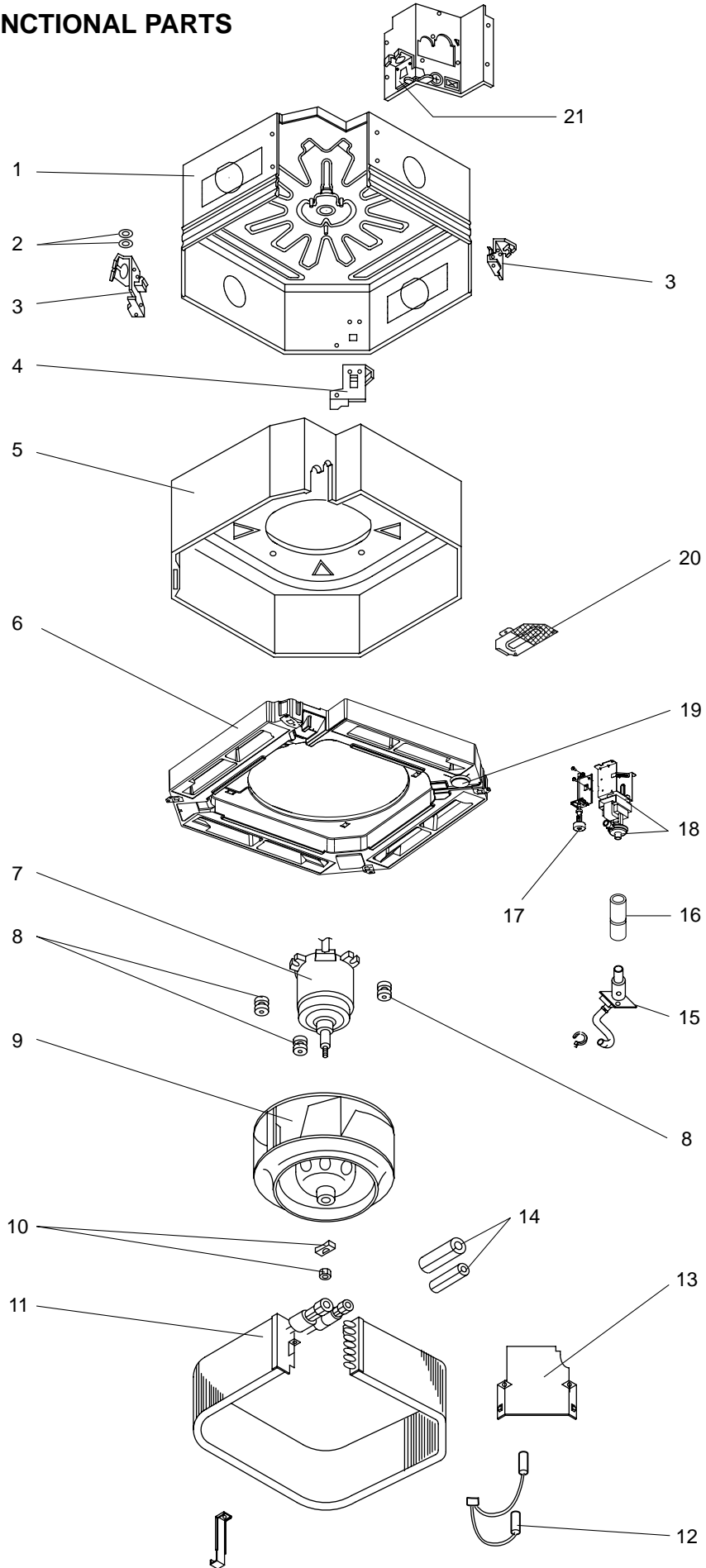
**WIRELESS REMOTE  
CONTROLLER**



**WIRED REMOTE  
CONTROLLER**

STRUCTURAL AND FUNCTIONAL PARTS

PLA-ZRP100BA

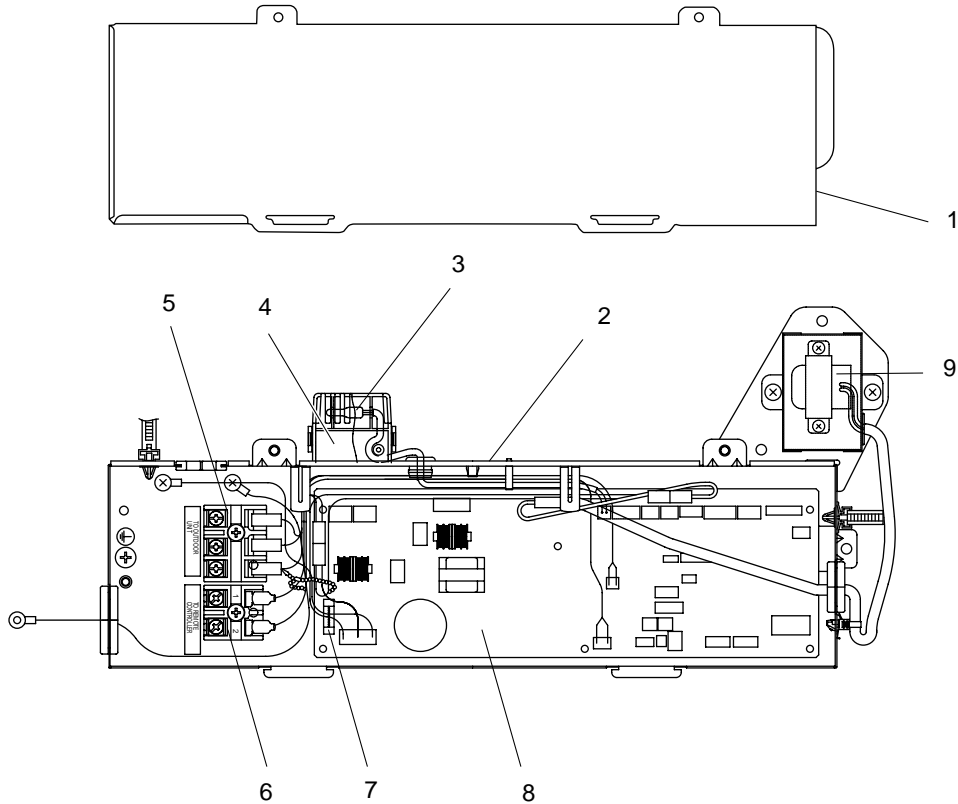


# RoHS PARTS LIST

No.	RoHS	Part No.	Part Name	Specification	Q'ty/unit	Remarks (Drawing No.)	Wiring Diagram Symbol	Recom- mended Q'ty
					PLA-ZRP100BA			
1	G	—	BASE ASSY		1	(BH00C810G12)		
2	G	R01 E13 097	WASHER		1			
3	G	—	LEG -1A		2	(RG02N977G25)		
4	G	—	LEG-1B		1	(RG02N977G26)		
5	G	—	INNER COVER ASSY-L		1	(BH00C888G50)		
6	G	T7W E38 529	DRAIN PAN		1			
7	G	R01 E60 220	FAN MOTOR		1		MF	
8	G	R01 E14 105	MOTOR MOUNT		3			
9	G	R01 E34 114	TURBO FAN		1			
10	G	R01 11K 097	SPL WASHER / NUT		1			
11	G	R01 P06 480	HEAT EXCHANGER		1			
12	G	T7W E50 202	THERMISTOR		1		TH2/TH5	
13	G	—	COIL PLATE		1	(BK00G639G03)		
14	G	R01 E02 660	PIPE COVER		1			
15	G	R01 E05 523	DRAIN SOCKET		1			
16	G	R01 E07 523	SOCKET		1			
17	G	R01 E04 272	FLOAT SWITCH		1		FS	
18	G	T7W E14 355	DRAIN PUMP		1		DP	
19	G	R01 E02 524	DRAIN PLUG		1			
20	G	—	CORNER PLATE		1	(BH00C982G07)		
21	G	—	LEG-2		1	(RG02N978G13)		

# RoHS PARTS LIST

## FUNCTIONAL AND ELECTRICAL PARTS PLA-ZRP100BA



7LB001-E03\_01

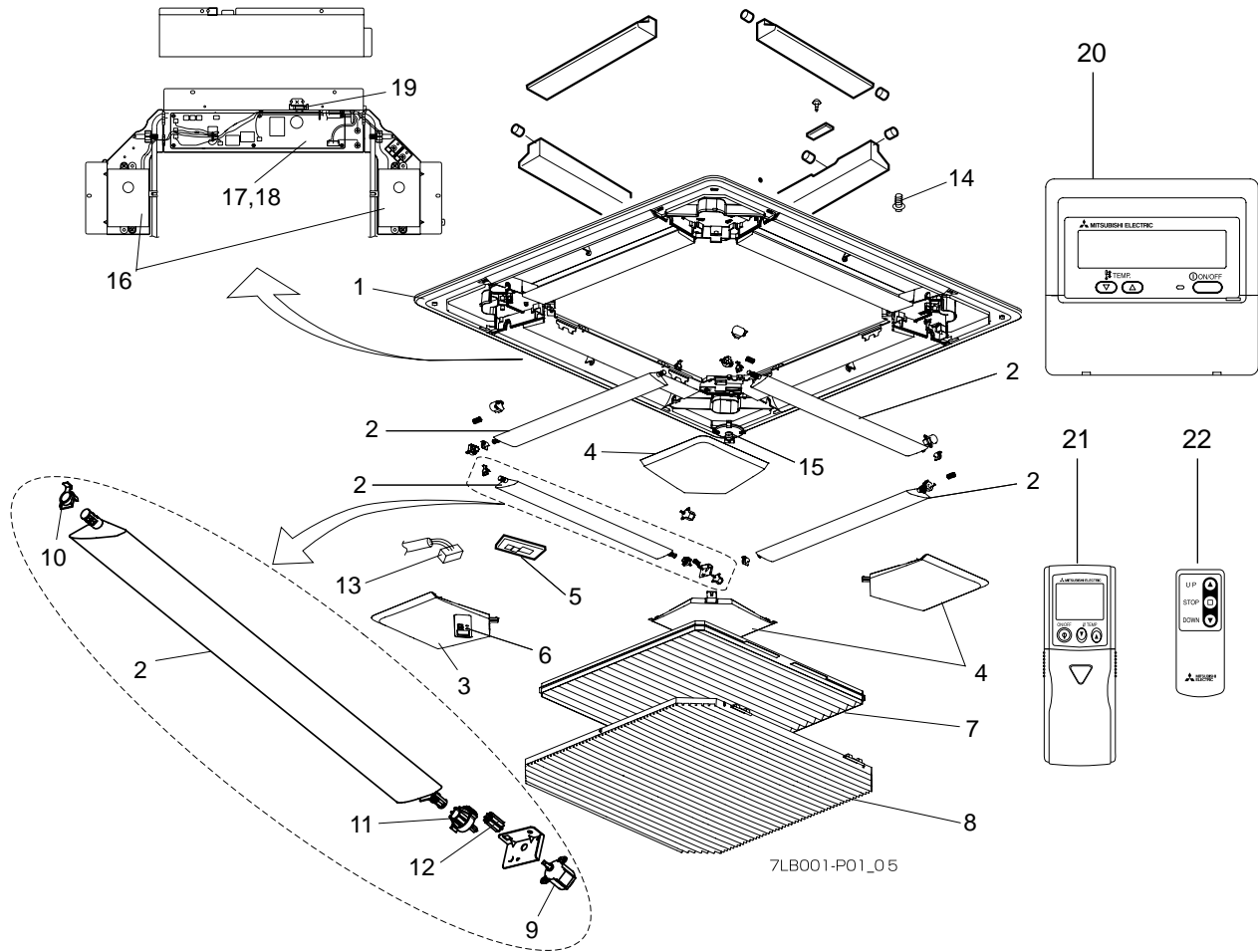
No.	RoHS	Part No.	Part Name	Specification	Q'ty/unit	Remarks (Drawing No.)	Wiring Diagram Symbol
					PLA-ZRP100BA		
1	G	—	CONTROL BOX COVER		1	(BH00C876G52)	
2	G	—	ELECTRIC CONTROL BOX		1	(RG00V609F19)	
3	G	R01 H18 202	ROOM TEMP. THERMISTOR		1		TH1
4	G	R01 E01 520	SENSOR COVER-K		1	(for TH1)	
5	G	R01 E20 246	TERMINAL BLOCK	3P (S1,S2,S3)	1		TB4
6	G	T7W E33 716	TERMINAL BLOCK	2P (1,2)	1		TB5
7	G	R01 E14 239	FUSE	6.3A, 250V	1		FUSE
8	G	T7W C06 310	INDOOR CONTROLLER BOARD		1		I.B
9	G	T7W E14 259	REACTOR		1		DCL

# RoHS PARTS LIST

## PANEL PARTS

PLP-6BALM (Wireless)      PLP-6BAMD (Wired)

PLP-6BAJ (Auto descending panel)



No.	RoHS	Part No.	Part Name	Specification	Q'ty/unit			Remarks (Drawing No.)	Wiring Diagram Symbol	Recom- mended Q'ty
					PLP-6					
					BALM	BAMD	BAJ			
1	G	R01 E18 003	AIR OUTLET GRILLE		1	1	1			
2	G	R01 E17 002	VANE ASSY		4	4	4			
3	G	T7W E03 638	CORNER PANEL				1			
	G	T7W E13 638	CORNER PANEL		1		1			
4	G	R01 E21 638	CORNER PANEL		3	3	3			
5	G	R01 E07 317	WIRELESS ADAPTOR		1		1		W.B	
6	G	R01 E20 658	RECEIVER		1		1		R.U	
7	G	R01 E16 500	L. L. FILTER		1	1	1			
8	G	R01 E35 691	GRILLE ASSY		1	1				
	G	R01 E36 691	GRILLE ASSY				1			
9	G	R01 E19 223	STEPPING MOTOR		4	4	4		MV	
10	G	R01 E02 063	VANE BUSH		8	8	8			
11	G	R01 E03 040	GEAR(VANE)		4	4	4			
12	G	R01 E04 040	GEAR(S/M)		4	4	4			
13	G	R01 E04 305	CABLE ASSY		1		1	for W.B.		
14	G	R01 E02 673	SCREW ASSY		1	1	1	Accessory		
15	G	R01 E03 523	SOCKET		1	1	1			
16	G	R01 E07 471	MOTOR BOX				2	2 pcs/set	UK1	
17	G	R01 N73 310	CONTROLLER BOARD				1		U.B	
18	G	R01 E15 239	FUSE 3.15A 250V				1		FUSE	
19	G	R01 E06 272	LIMIT SWITCH				1		LS1	
20	G	T7W E15 713	REMOTE CONTROLLER	PAR-21MAA		1				
21	G	T7W E10 714	REMOTE CONTROLLER	PAR-SL97A-E	1					
22	G	T7W E11 714	REMOTE CONTROLLER				1	for AUTO Grille		

**Mr. SLIM™**

**mitsubishi electric corporation**

HEAD OFFICE : TOKYO BLDG., 2-7-3, MARUNOUCHI, CHIYODA-KU, TOKYO 100-8310, JAPAN

---