



SPLIT-TYPE AIR CONDITIONERS

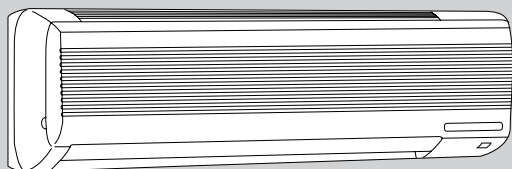
No. OB273



SERVICE MANUAL

Wireless type
Models

- | | | | | |
|-----------------|-----------|---|-----------------|------|
| MS-C18TV | - E1 (WH) | ▪ | MU-C18TV | - E1 |
| MS-C24TV | - E1 (WH) | ▪ | MU-C24TV | - E1 |



MS-C18TV - E1
MS-C24TV - E1



CONTENTS

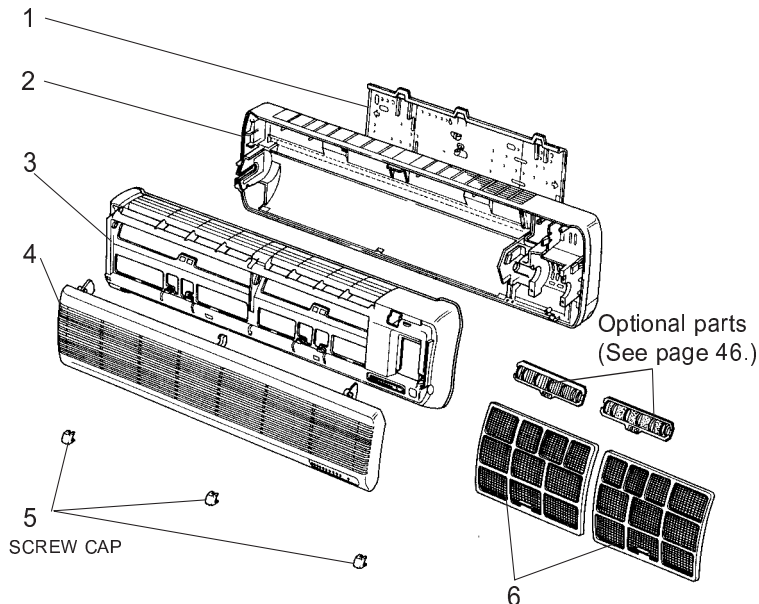
1. TECHNICAL CHANGES	3
2. PART NAMES AND FUNCTIONS	5
3. SPECIFICATION	7
4. NOISE CRITERIA CURVES	8
5. OUTLINES AND DIMENSIONS	9
6. WIRING DIAGRAM	10
7. REFRIGERANT SYSTEM DIAGRAM	12
8. PERFORMANCE CURVES	14
9. MICROPROCESSOR CONTROL	20
10. SERVICE FUNCTIONS	27
11. TROUBLESHOOTING	29
12. DISASSEMBLY INSTRUCTIONS	37
13. PARTS LIST	43
14. OPTIONAL PARTS	46



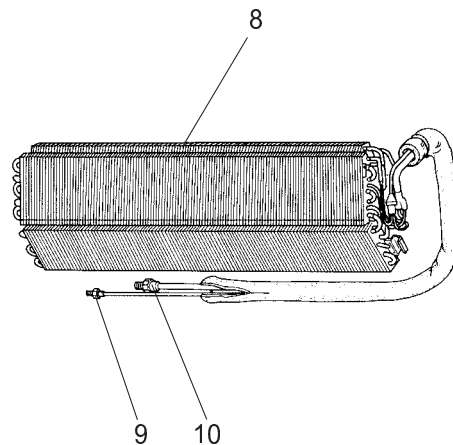
MS-C18TV -E1 (WH)

MS-C24TV -E1 (WH)

13-1. INDOOR UNIT
STRUCTURAL PARTS



13-2. INDOOR UNIT
HEAT EXCHANGER



13-1. INDOOR UNIT STRUCTURAL PARTS

Part number that is circled is not shown in the illustration.

NO.	Part No.	Part Name	Symbol in Wiring Diagram	Q'ty/unit		Remarks
				MS-C18TV -E1 (WH)	MS-C24TV -E1 (WH)	
1	E02 141 970	INSTALLATION PLATE		1	1	
2	E02 143 234	BOX (WH)		1	1	
3	E02 138 000	FRONT PANEL ASSEMBLY(WH)		1	1	Including 4,5,7
4	E02 138 010	GRILLE (WH)		1	1	
5	E02 143 067	SCREW CAP (WH)		3	3	3PCS/SET
6	E02 141 100	AIR FILTER		2	2	
⑦	E02 516 007	LAMP PANEL (WH)		1	1	

13-2. INDOOR UNIT HEAT EXCHANGER

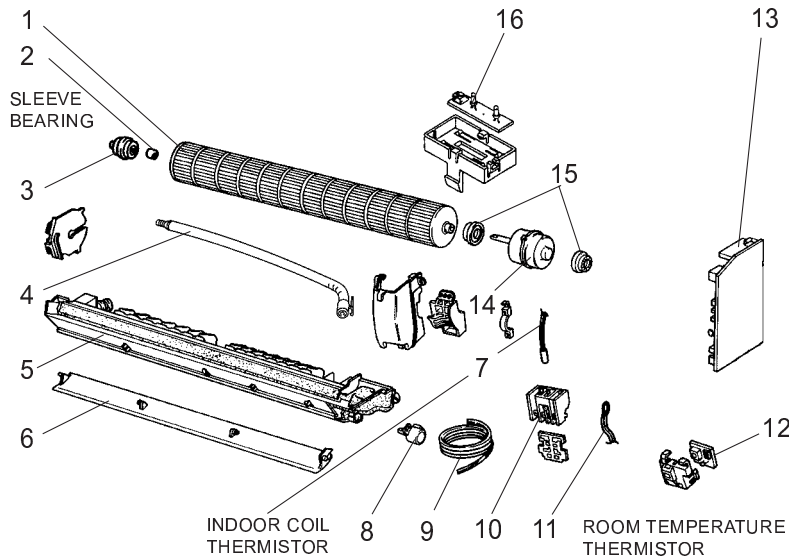
8	E02 141 620	INDOOR HEAT EXCHANGER		1	1	
9	E02 138 667	UNION(LIQUID)		1		φ6.35
	E02 176 667	UNION(LIQUID)			1	φ9.52
10	E02 138 666	UNION(GAS)		1	1	φ15.88

MS-C18TV -E1 (WH)

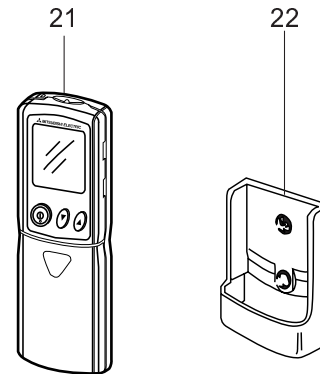
MS-C24TV -E1 (WH)

13-3. INDOOR UNIT

ELECTRICAL PARTS AND FUNCTIONAL PARTS



13-4. ACCESSORY PART AND REMOTE CONTROLLER



13-3. INDOOR UNIT ELECTRICAL PARTS AND FUNCTIONAL PARTS

NO.	Part No.	Part Name	Symbol in Wiring Diagram	Q'ty/unit		Remarks
				MS-C18TV - E1 (WH)	MS-C24TV - E1 (WH)	
1	E02 141 302	LINE FLOW FAN		1	1	
2	E02 001 504	SLEEVE BEARING		1	1	
3	E02 141 509	BEARING MOUNT		1	1	
4	E02 408 702	DRAIN HOSE		1	1	
5	E02 143 235	NOZZLE (WH)		1	1	
6	E02 143 040	VANE (WH)		1	1	
7	E02 138 307	INDOOR COIL THERMISTOR	RT12	1	1	
8	E02 141 303	VANE MOTOR	MV	1	1	
9	E02 138 395	POWER SUPPLY CORD		1		
	E02 320 395	POWER SUPPLY CORD			1	
10	E02 611 375	TERMINAL BLOCK	TB	1		
	E02 612 375	TERMINAL BLOCK	TB		1	
11	E02 138 308	ROOM TEMPERATURE THERMISTOR	RT11	1	1	
12	E02 141 468	RECEIVER P. C. BOARD		1	1	
13	E02 611 452	ELECTRONIC CONTROL P.C. BOARD		1		AUTO RESTART
	E02 612 452	ELECTRONIC CONTROL P.C. BOARD			1	AUTO RESTART
14	E02 141 300	INDOOR FAN MOTOR	MF	1		RA4V27 - <input type="checkbox"/> <input type="checkbox"/>
	E02 213 300	INDOOR FAN MOTOR	MF		1	RA4V27 - <input type="checkbox"/> <input type="checkbox"/>
15	E02 001 505	FAN MOTOR RUBBER MOUNT		2	2	2PCS/SET
16	E02 138 329	DISPLAY P.C. BOARD		1	1	
17	E02 336 385	VARISTOR	NR11	1	1	
18	E02 127 382	FUSE	F11	1	1	3.15A
19	E02 205 381	THERMAL FUSE	F12	1		93°C
	E02 209 381	THERMAL FUSE	F12		1	93°C
20	E02 138 383	SURGE ABSORBER	DSAR	1		
	E02 147 383	SURGE ABSORBER	DSAR		1	

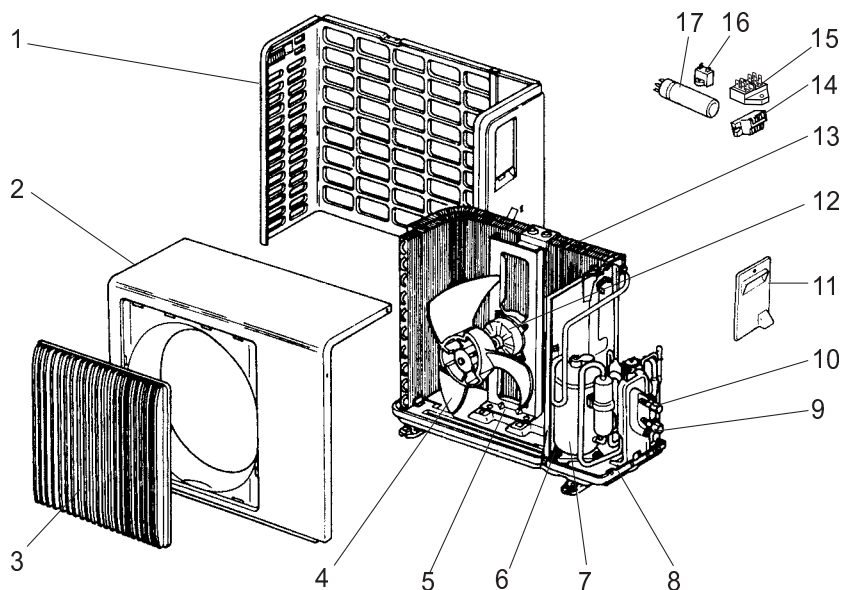
13-4. ACCESSORY PART AND REMOTE CONTROLLER

21	E02 611 426	REMOTE CONTROLLER		1	1	
22	E02 527 083	REMOTE CONTROLLER HOLDER		1	1	

MU-C18TV -E1

MU-C24TV -E1

**13-5. OUTDOOR UNIT
STRUCTURAL PARTS,
ELECTRICAL PARTS
AND FUNCTIONAL PARTS**



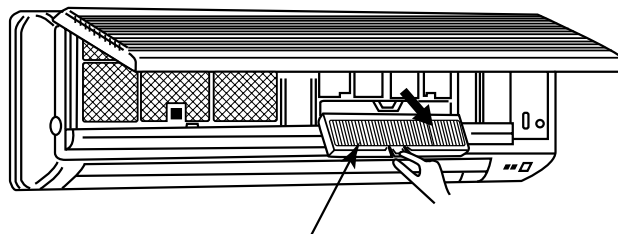
Part numbers that are circled are not shown in the illustration.

NO.	Part No.	Part Name	Symbol in Wiring Diagram	Q'ty/unit		Remarks
				MU-C18TV -E1	MU-C24TV -E1	
1	E02 140 233	BACK PANEL		1	1	
2	E02 141 232	CABINET		1	1	
3	E02 141 521	GRILLE		1	1	
4	E02 141 501	PROPELLER FAN		1	1	
5	E02 140 515	MOTOR SUPPORT		1		
	E02 139 515	MOTOR SUPPORT			1	
6	E02 138 506	COMPRESSOR RUBBER SET		4	4	4RUBBERS/SET
7	E02 624 900	COMPRESSOR	MC	1		PE-33VPEHT
	E02 517 900	COMPRESSOR	MC		1	NE-47VMHHT
8	E02 217 290	BASE		1		
	E02 176 290	BASE			1	
9	E02 624 661	STOP VALVE(GAS)		1	1	φ15.88
10	E02 627 662	STOP VALVE(LIQUID)		1		φ 6.35
	E02 625 662	STOP VALVE(LIQUID)			1	φ 9.52
11	E02 141 245	SERVICE PANEL		1	1	
12	E02 144 301	OUTDOOR FAN MOTOR	MF	1		RA6V50 - □□
	E02 147 301	OUTDOOR FAN MOTOR	MF		1	RA6V60 - □□
13	E02 217 630	OUTDOOR HEAT EXCHANGER		1		
	E02 147 630	OUTDOOR HEAT EXCHANGER			1	
14	E02 197 374	TERMINAL BLOCK	TB	1		3P
	E02 601 374	TERMINAL BLOCK	TB		1	4P
15	E02 056 374	TERMINAL BLOCK	TB2		1	
16	E02 138 351	OUTDOOR FAN CAPACITOR	C2	1	1	3.0μF/440V
17	E02 082 353	COMPRESSOR CAPACITOR	C1	1	1	50μF/440V
18	E02 624 936	CAPILLARY TUBE		1		φ3.0×φ2.0×850
	E02 625 936	CAPILLARY TUBE			1	φ3.0×φ2.0×550
19	E02 095 382	FUSE	F	1	1	250V/2A
20	E02 010 342	COMPRESSOR CONTACTOR	52C		1	
21	E02 288 343	FAN MOTOR RELAY	X1		1	
22	E02 229 381	THERMOSTAT	26F1		1	
23	E02 326 384	CR SURGE ABSORBER	CR		1	

14-1. AIR CLEANING FILTER

- AIR CLEANING FILTER removes fine dust of 0.01 micron from air by means of static electricity.
- Normal life of AIR CLEANING FILTER is 4 months. However, when it becomes dirty, replace it as soon as possible.
- Clogged AIR CLEANING FILTER may reduce the air conditioner capacity or cause frost on the air outlet.
- DO NOT reuse AIR CLEANING FILTER even if it is washed.
- DO NOT remove or attach AIR CLEANING FILTER during unit operation.

Model	Part No.
MS-C18TV - [E1] MS-C24TV - [E1]	MAC-1100FT

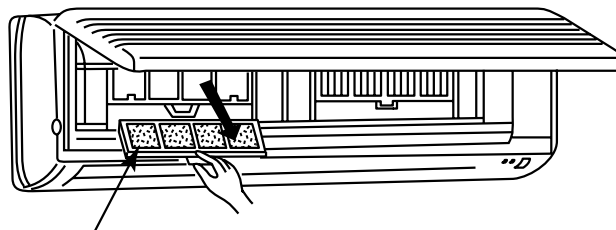


Air cleaning filter (White bellows type)

14-2. DEODORIZING FILTER

- DEODORIZING FILTER removes ammonia and hydrogen sulphide emitted from tobacco, and odor of pets.
- Clean DEODORIZING FILTER every two weeks. If the filter is particularly dirty, clean the filter more often.
- For cleaning, soak the filter in warm water for a while, and then wash and rinse it. Dry the filter in the shade thoroughly.
- When the filter color is still dark even after cleaning, replace the filter with a new one.
Replace the filter at least once a year.

Model	Part No.
MS-C18TV - [E1] MS-C24TV - [E1]	MAC-1600DF



Deodorizing filter (Gray sponge type)

- DEODORIZING FILTER and AIR CLEANING FILTER can be attached on either side.



HEAD OFFICE: MITSUBISHI DENKI BLDG., 2-2-3, MARUNOUCHI, CHIYODA-KU, TOKYO100-8310, JAPAN