



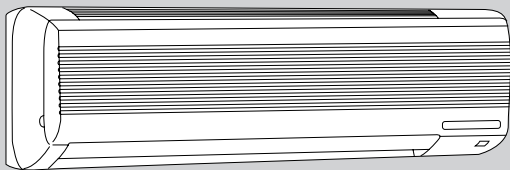
SPLIT-TYPE AIR CONDITIONERS

No. OB271

# SERVICE MANUAL

Wireless type  
Models

- |                |           |   |                |      |
|----------------|-----------|---|----------------|------|
| <b>MS-18RV</b> | - E1 (WH) | ▪ | <b>MU-18RV</b> | - E1 |
| <b>MS-24RV</b> | - E1 (WH) | ▪ | <b>MU-24RV</b> | - E1 |
| <b>MS-30RV</b> | - E1 (WH) | ▪ | <b>MU-30RV</b> | - E1 |



MS-18RV - E1  
MS-24RV - E1



## CONTENTS

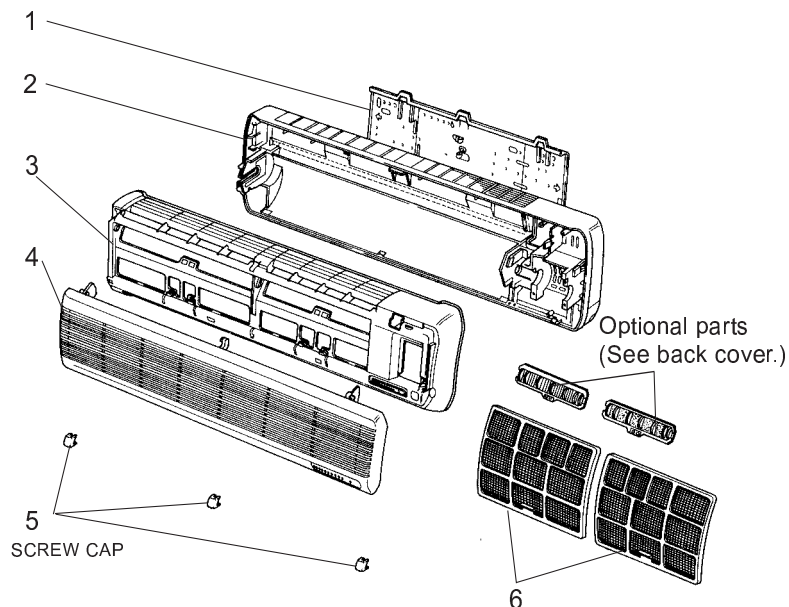
1. TECHNICAL CHANGES .....	2
2. PART NAMES AND FUNCTIONS .....	3
3. SPECIFICATION .....	6
4. NOISE CRITERIA CURVES .....	8
5. OUTLINES AND DIMENSIONS .....	10
6. WIRING DIAGRAM .....	13
7. REFRIGERANT SYSTEM DIAGRAM .....	17
8. PERFORMANCE CURVES .....	20
9. MICROPROCESSOR CONTROL .....	34
10. SERVICE FUNCTIONS .....	45
11. TROUBLESHOOTING .....	47
12. DISASSEMBLY INSTRUCTIONS .....	61
13. PARTS LIST .....	69
14. OPTIONAL PARTS .....	BACK COVER



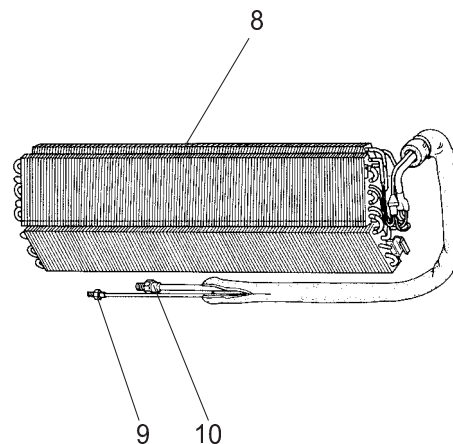
MS-18RV -E1 (WH)

MS-24RV -E1 (WH)

### 13-1. INDOOR UNIT STRUCTURAL PARTS



### 13-2. INDOOR UNIT HEAT EXCHANGER



### 13-1. INDOOR UNIT STRUCTURAL PARTS

Part numbers that is circled is not shown in the illustration.

NO.	Part No.	Part Name	Symbol in Wiring Diagram	Q'ty/unit		Remarks
				MS-18RV- E1 (WH)	MS-24RV- E1 (WH)	
1	E02 141 970	INSTALLATION PLATE		1	1	
2	E02 143 234	BOX (WH)		1	1	
3	E02 138 000	FRONT PANEL (WH)		1	1	Including 4,5
4	E02 138 010	GRILLE (WH)		1	1	
5	E02 143 067	SCREW CAP (WH)		3	3	3PCS/SET
6	E02 141 100	AIR FILTER		2	2	
⑦	E02 516 007	LAMP PANEL (WH)		1	1	

### 13-2. INDOOR UNIT HEAT EXCHANGER

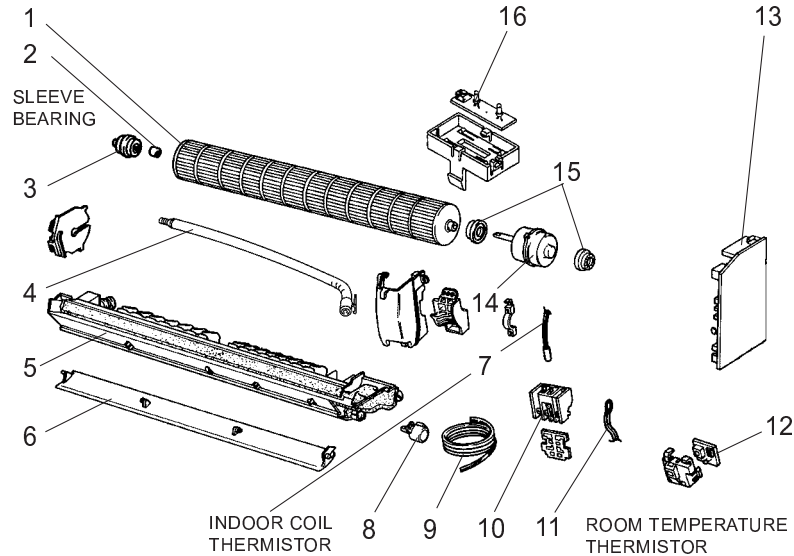
8	E02 141 620	INDOOR HEAT EXCHANGER		1	1	
9	E02 138 667	UNION(LIQUID)		1		φ6.35
	E02 176 667	UNION(LIQUID)			1	φ9.52
10	E02 138 666	UNION(GAS)		1	1	φ15.88

MS-18RV -E1 (WH)

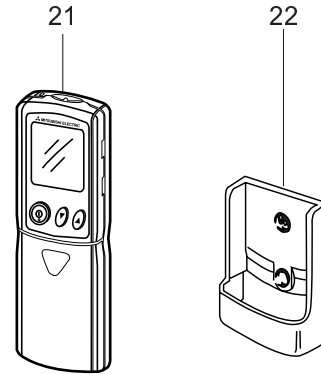
MS-24RV -E1 (WH)

13-3. INDOOR UNIT

FUNCTIONAL PARTS AND ELECTRICAL PARTS



13-4. ACCESSORY AND REMOTE CONTROLLER PART



13-3. INDOOR UNIT FUNCTIONAL PARTS AND ELECTRICAL PARTS

Part numbers that are circled are not shown in the illustration.

NO.	Part No.	Part Name	Symbol in Wiring Diagram	Q'ty/unit		Remarks
				MS-18RV- E1 (WH)	MS-24RV- E1 (WH)	
1	E02 141 302	LINE FLOW FAN		1	1	
2	E02 001 504	SLEEVE BEARING		1	1	
3	E02 141 509	BEARING MOUNT		1	1	
4	E02 408 702	DRAIN HOSE		1	1	
5	E02 143 235	NOZZLE (WH)		1	1	
6	E02 143 040	VANE (WH)		1	1	
7	E02 138 307	INDOOR COIL THERMISTOR	RT12	1	1	
8	E02 141 303	VANE MOTOR	MV	1	1	
9	E02 138 395	POWER SUPPLY CORD		1		
	E02 320 395	POWER SUPPLY CORD			1	
10	E02 611 375	TERMINAL BLOCK	TB	1		
	E02 612 375	TERMINAL BLOCK	TB		1	
11	E02 138 308	ROOM TEMPERATURE THERMISTOR	RT11	1	1	
12	E02 141 468	RECEIVER P. C. BOARD		1	1	
13	E02 611 452	ELECTRONIC CONTROL P.C. BOARD		1		AUTO RESTART
	E02 612 452	ELECTRONIC CONTROL P.C. BOARD			1	AUTO RESTART
14	E02 141 300	INDOOR FAN MOTOR	MF	1		RA4V27 - <input type="checkbox"/> <input type="checkbox"/>
	E02 213 300	INDOOR FAN MOTOR	MF		1	RA4V27 - <input type="checkbox"/> <input type="checkbox"/>
15	E02 001 505	FAN MOTOR RUBBER MOUNT		2	2	2PCS/SET
16	E02 138 329	DISPLAY P.C. BOARD		1	1	
17	E02 336 385	VARISTOR	NR11	1	1	
18	E02 127 382	FUSE	F11	1	1	3.15A
19	E02 205 381	THERMAL FUSE	F12	1		93°C
	E02 209 381	THERMAL FUSE	F12		1	93°C
20	E02 138 383	SURGE ABSORBER	DSAR	1		
	E02 147 383	SURGE ABSORBER	DSAR		1	

13-4. ACCESSORY AND REMOTE CONTROLLER PART

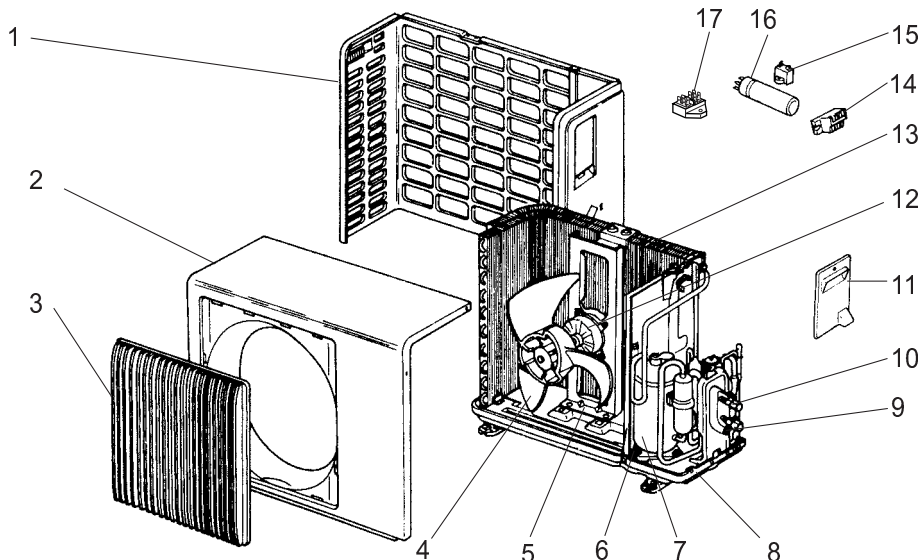
21	E02 611 426	REMOTE CONTROLLER		1	1	
22	E02 527 083	REMOTE CONTROLLER HOLDER		1	1	

MU-18RV -E1

MU-24RV -E1

13-5. OUTDOOR UNIT

STRUCTURAL PARTS, ELECTRICAL PARTS AND FUNCTIONAL PARTS



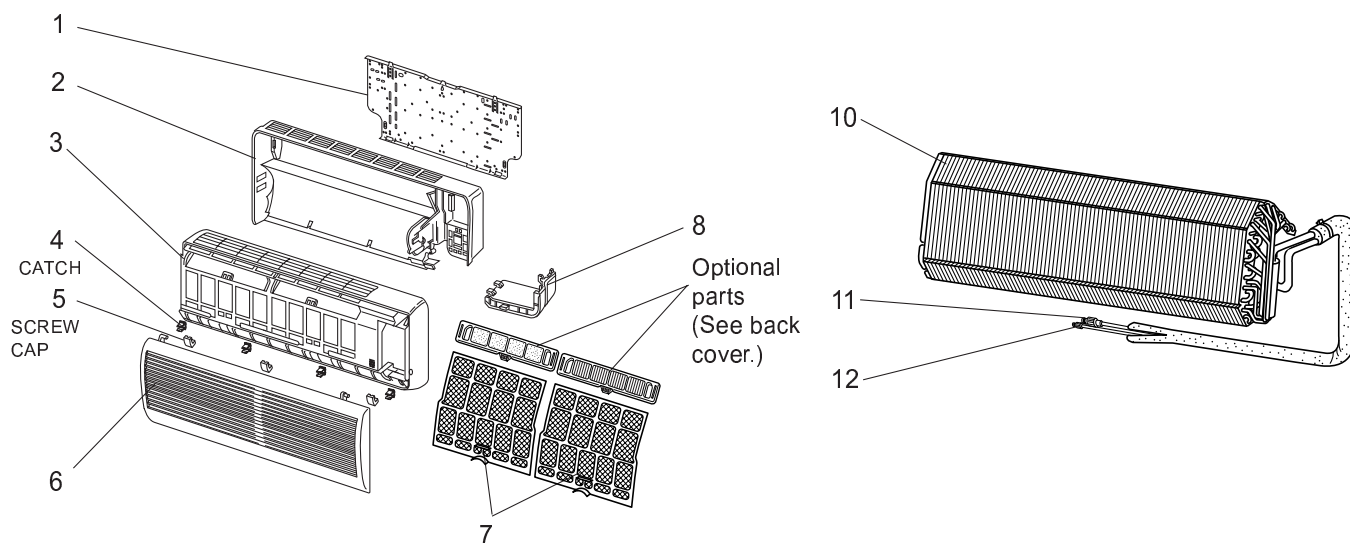
Part numbers that are circled are not shown in the illustration.

NO.	Part No.	Part Name	Symbol in Wiring Diagram	Q'ty/unit		Remarks
				MU-18RV- E1	MU-24RV- E1	
1	E02 140 233	BACK PANEL		1	1	
2	E02 141 232	CABINET		1	1	
3	E02 141 521	GRILLE		1	1	
4	E02 141 501	PROPELLER FAN		1	1	
5	E02 140 515	MOTOR SUPPORT		1		
	E02 139 515	MOTOR SUPPORT			1	
6	E02 138 506	COMPRESSOR RUBBER SET		4	4	4RUBBERS/SET
7	E02 217 900	COMPRESSOR	MC	1		PH-33VPET
	E02 047 900	COMPRESSOR	MC		1	NH-47VMDT
8	E02 217 290	BASE		1		
	E02 176 290	BASE			1	
9	E02 150 661	STOP VALVE(GAS)		1	1	φ15.88
10	E02 139 662	STOP VALVE(LIQUID)		1		φ 6.35
	E02 176 662	STOP VALVE(LIQUID)			1	φ 9.52
11	E02 141 245	SERVICE PANEL		1	1	
12	E02 144 301	OUTDOOR FAN MOTOR	MF	1		RA6V50 - □□
	E02 147 301	OUTDOOR FAN MOTOR	MF		1	RA6V60 - □□
13	E02 217 630	OUTDOOR HEAT EXCHANGER		1		
	E02 147 630	OUTDOOR HEAT EXCHANGER			1	
14	E02 197 374	TERMINAL BLOCK	TB	1		3P
	E02 601 374	TERMINAL BLOCK	TB		1	4P
15	E02 138 351	OUTDOOR FAN CAPACITOR	C2	1	1	3.0μF/440V AC
16	E02 082 353	COMPRESSOR CAPACITOR	C1	1	1	50μF/440V AC
17	E07 056 374	TERMINAL BLOCK	TB2		1	
18	E02 138 936	CAPILLARY TUBE		1	1	φ3.0×φ2.0×700
	E02 176 936	CAPILLARY TUBE			1	φ3.0×φ1.6×350
19	E02 095 382	FUSE	F	1	1	250V/2A
20	E02 010 342	COMPRESSOR CONTACTOR	52C		1	
21	E02 288 343	FAN MOTOR RELAY	X1		1	
22	E02 229 381	THERMOSTAT	26F1		1	
23	E02 326 384	CR SURGE ABSORBER	CR		1	

## MS-30RV -E1 (WH)

### 13-6. INDOOR UNIT STRUCTURAL PARTS

### 13-7. INDOOR UNIT HEAT EXCHANGER



### 13-6. INDOOR UNIT STRUCTURAL PARTS

Part number that is circled is not shown in the illustration.

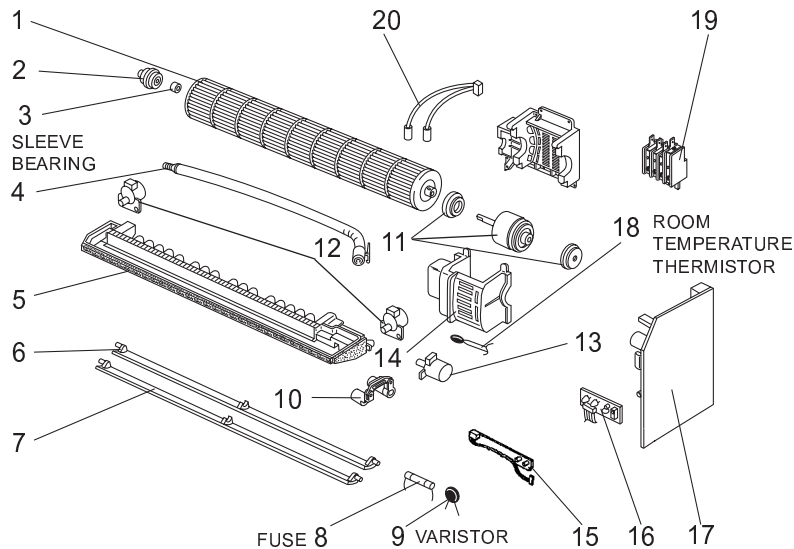
NO.	Part No.	Part Name	Symbol in Wiring Diagram	Q'ty/unit	Remarks
				MS-30RV -E1 (WH)	
1	E02 527 970	INSTALLATION PLATE		1	
2	E02 527 234	BOX (WH)		1	
3	E02 527 000	FRONT PANEL ASSEMBLY(WH)		1	Including No.4,5,6
4	E02 408 142	CATCH		4	4PCS/ SET
5	E02 527 067	SCREW CAP (WH)		3	3PCS/ SET
6	E02 527 010	GRILLE (WH)		1	
7	E02 527 100	AIR FILTER		2	
8	E02 527 975	CORNER BOX RIGHT		1	
⑨	E02 528 007	LAMP PANEL		1	

### 13-7. INDOOR UNIT HEAT EXCHANGER

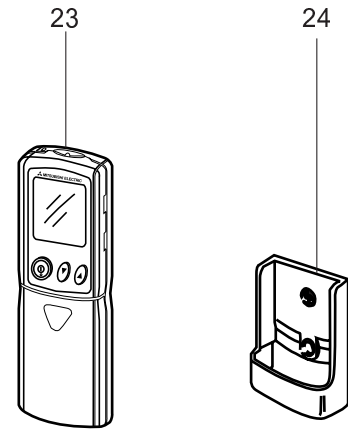
10	E02 527 620	INDOOR HEAT EXCHANGER		1	
11	E02 527 666	UNION (GAS)		1	φ15.88
12	E02 527 667	UNION (LIQUID)		1	φ9.52

## MS-30RV -E1 (WH)

### 13-8. INDOOR UNIT FUNCTIONAL PARTS AND ELECTRICAL PARTS



### 13-9. ACCESSORY AND REMOTE CONTROLLER PART



### 13-8. INDOOR UNIT FUNCTIONAL PARTS AND ELECTRICAL PARTS

Part numbers that are circled are not shown in the illustration.

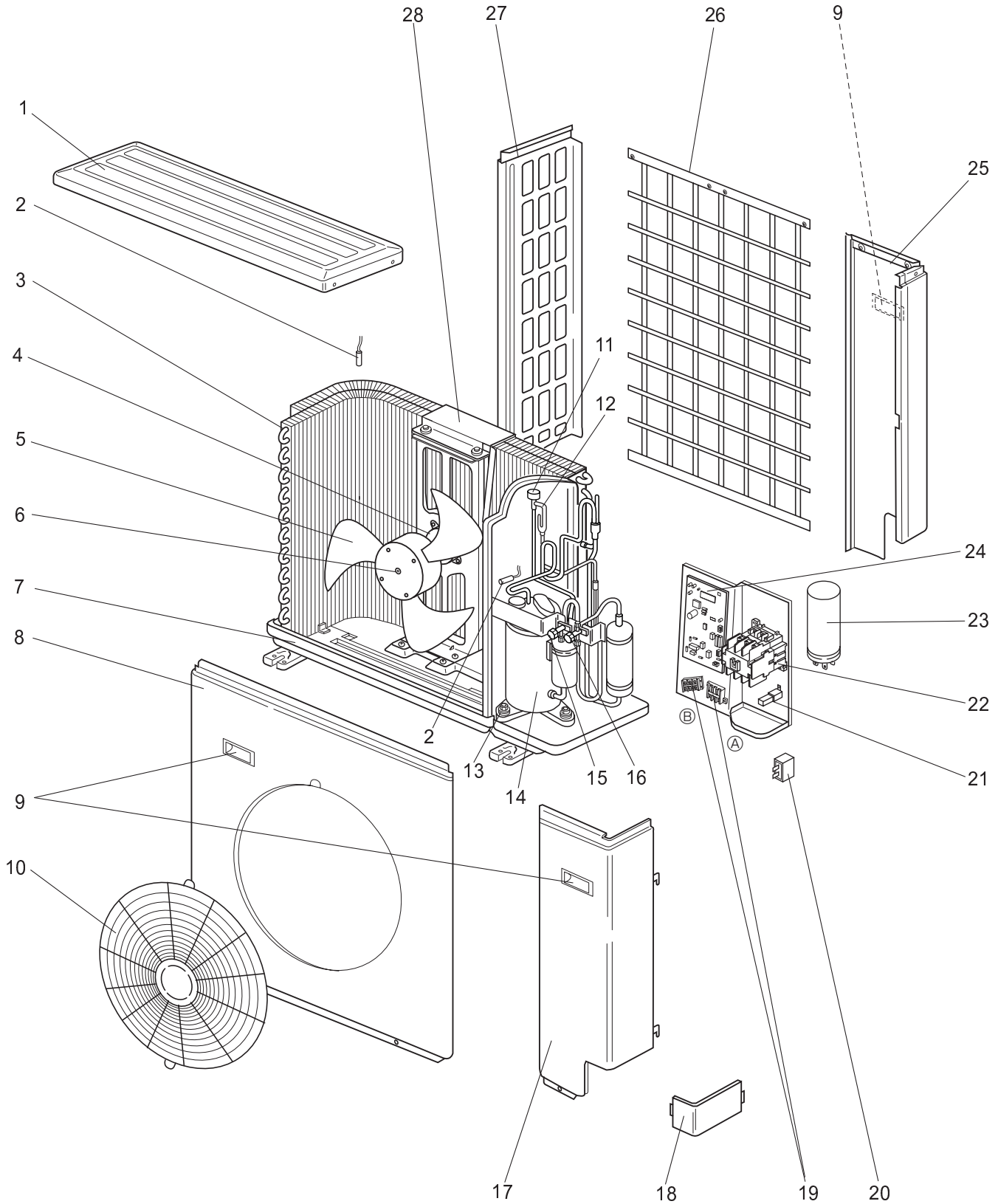
NO.	Part No.	Part Name	Symbol in Wiring Diagram	Q'ty/unit	Remarks
				MS-30RV -E1 (WH)	
1	E02 527 302	LINE FLOW FAN		1	
2	E02 408 509	BEARING MOUNT		1	
3	E02 001 504	SLEEVE BEARING		1	
4	E02 408 702	DRAIN HOSE		1	
5	E02 527 235	NOZZLE (WH)		1	
6	E02 527 040	VANE UPPER (WH)		1	
7	E02 527 041	VANE LOWER (WH)		1	
8	E02 127 382	FUSE	F11	1	3.15A
9	E02 336 385	VARISTOR	NR11	1	
10	E02 527 034	VANE CRANK SET		1	
11	E02 527 300	INDOOR FAN MOTOR ASSEMBLY	MF	1	RC4V40 - □□ Including RUBBER MOUNT
12	E02 448 303	VANE MOTOR (VERTICAL)	MV2	2	RIGHT & LEFT
13	E02 408 303	VANE MOTOR (HORIZONTAL)	MV1	1	UP & DOWN
14	E02 527 333	MOTOR BAND		1	
15	E02 528 329	DISPLAY P.C. BOARD		1	
16	E02 527 468	RECEIVER P.C. BOARD		1	
17	E02 639 452	ELECTRONIC CONTROL P.C. BOARD		1	AUTO RESTART Including No.16
18	E02 527 308	ROOM TEMPERATURE THERMISTOR	RT11	1	
19	E02 639 375	TERMINAL BLOCK	TB	1	4P
20	E02 527 307	INDOOR COIL THERMISTOR	RT12, RT13	1	
①	E02 528 034	VANE MOTOR SUPPORT SET(RIGHT)		1	
②	E02 529 034	VANE MOTOR SUPPORT SET(LEFT)		1	

### 13-9. ACCESSORY AND REMOTE CONTROLLER PART

23	E02 527 426	REMOTE CONTROLLER		1	
24	E02 527 083	REMOTE CONTROLLER HOLDER		1	

**MU-30RV -E1**

**13-10. OUTDOOR UNIT STRUCTURAL PARTS, ELECTRICAL PARTS  
AND FUNCTIONAL PARTS**



**MU-30RV -<sup>Ⓔ</sup>**

**13-10. OUTDOOR UNIT STRUCTURAL PARTS, ELECTRICAL PARTS AND FUNCTIONAL PARTS**

Part numbers that are circled are not shown in the illustration.

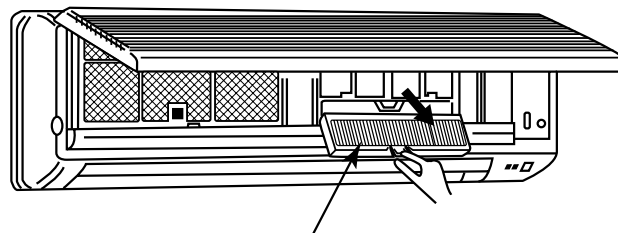
NO.	Part No.	Part Name	Symbol in Wiring Diagram	Q'ty/unit		Remarks
					MU-30RV - <sup>Ⓔ</sup>	
1	E02 214 297	TOP PANEL			1	
2	E02 528 309	THERMISTOR	RT62, RT63		1	DISCHARGE, AMBIENT
3	E02 527 630	OUTDOOR HEAT EXCHANGER			1	
4	E02 527 301	OUTDOOR FAN MOTOR	MF		1	RA6V75-□□
5	E07 001 501	PROPELLER FAN			1	
6	E07 070 508	PROPELLER FAN NUT			1	
7	E02 214 290	BASE			1	
8	E02 214 232	CABINET			1	
9	E07 001 009	HANDLE			3	
10	E02 527 521	FAN GUARD			1	
11	E02 528 493	EXPANSION VALVE COIL	LEV		1	
12	E02 527 640	EXPANSION VALVE			1	
13	E02 527 506	COMPRESSOR RUBBER SET			4	4RUBBERS/SET
14	E02 527 900	COMPRESSOR	MC		1	NH-56VNHT
15	E02 527 662	STOP VALVE(LIQUID)			1	φ9.52
16	E02 527 661	STOP VALVE(GAS)			1	φ15.88
17	E02 214 245	SERVICE PANEL			1	
18	E07 001 006	COVER PANEL			1	
19	E02 639 374	TERMINAL BLOCK	TB1		1	3P (FIGURE Ⓐ)
	E02 528 374	TERMINAL BLOCK	TB2		1	3P (FIGURE Ⓑ)
20	E02 064 351	OUTDOOR FAN CAPACITOR	C2		1	4.0μF/440VAC
21	E02 128 383	SURGE ABSORBER	DSAR		1	
22	E02 010 342	COMPRESSOR CONTACTOR	52C		1	
23	E02 177 353	COMPRESSOR CAPACITOR	C1		1	60μF/420VAC
24	E02 639 451	DEICER P.C. BOARD			1	
25	E02 214 522	REAR PANEL			1	
26	E07 003 523	REAR GUARD			1	
27	E02 527 249	SIDE PANEL			1	
28	E02 527 515	MOTOR SUPPORT			1	
29	E02 127 382	FUSE	F61		1	3.15A
30	E02 336 385	VARISTOR	NR61		1	
31	E02 262 936	CAPILLARY TUBE			1	φ4.0×φ2.4×200
32	E02 527 936	CAPILLARY TUBE			1	φ4.0×φ2.4×100



### 14-1. AIR CLEANING FILTER

- AIR CLEANING FILTER removes fine dust of 0.01 micron from air by means of static electricity.
- Normal life of AIR CLEANING FILTER is 4 months. However, when it becomes dirty, replace it as soon as possible.
- Clogged AIR CLEANING FILTER may reduce the air conditioner capacity or cause frost on the air outlet.
- DO NOT reuse AIR CLEANING FILTER even if it is washed.
- DO NOT remove or attach AIR CLEANING FILTER during unit operation.

Model	Part No.
MS-18RV - [E1] MS-24RV - [E1]	MAC-1100FT
MS-30RV- [E1]	MAC-1700FT

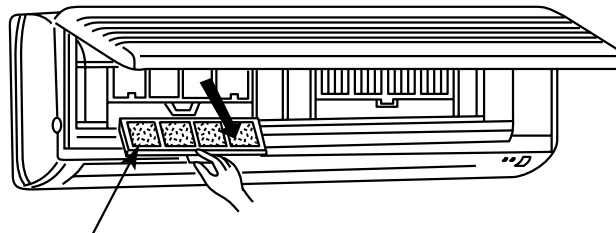


Air cleaning filter (White bellows type)

### 14-2. DEODORIZING FILTER

- DEODORIZING FILTER removes ammonia and hydrogen sulphide emitted from tobacco, and odor of pets.
- Clean DEODORIZING FILTER every two weeks. If the filter is particularly dirty, clean the filter more often.
- For cleaning, soak the filter in warm water for a while, and then wash and rinse it. Dry the filter in the shade thoroughly.
- When the filter color is still dark even after cleaning, replace the filter with a new one.  
Replace the filter at least once a year.

Model	Part No.
MS-18RV - [E1] MS-24RV - [E1]	MAC-1600DF
MS-30RV- [E1]	MAC-2200DF



Deodorizing filter (Gray sponge type)

- DEODORIZING FILTER and AIR CLEANING FILTER can be attached on either side.

**MITSUBISHI ELECTRIC CORPORATION**

HEAD OFFICE: MITSUBISHI DENKI BLDG., 2-2-3, MARUNOUCHI, CHIYODA-KU, TOKYO100-8310, JAPAN