

Revision:

- MXZ-18TV -**E2** has been added.
- Please void OB280.

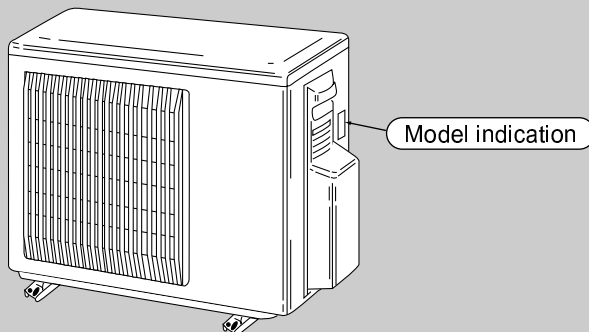
No. OB280
REVISED EDITION-A

SERVICE MANUAL

**Inverter-controlled multi system
Model**

MXZ-18TV -**E1**

MXZ-18TV -**E2**



CONTENTS

1. TECHNICAL CHANGES	2
2. PART NAMES AND FUNCTIONS	2
3. INDOOR/OUTDOOR CORRESPONDENCE TABLE	3
4. INDOOR UNITS COMBINATION	3
5. SPECIFICATION	4
6. NOISE CRITERIA CURVES	5
7. OUTLINES AND DIMENSIONS	6
8. WIRING DIAGRAM	7
9. REFRIGERANT SYSTEM DIAGRAM	8
10. PERFORMANCE CURVES	9
11. MICROPROCESSOR CONTROL	14
12. TROUBLESHOOTING	19
13. DISASSEMBLY INSTRUCTIONS	29
14. PARTS LIST	32
15. OPTIONAL PARTS	34

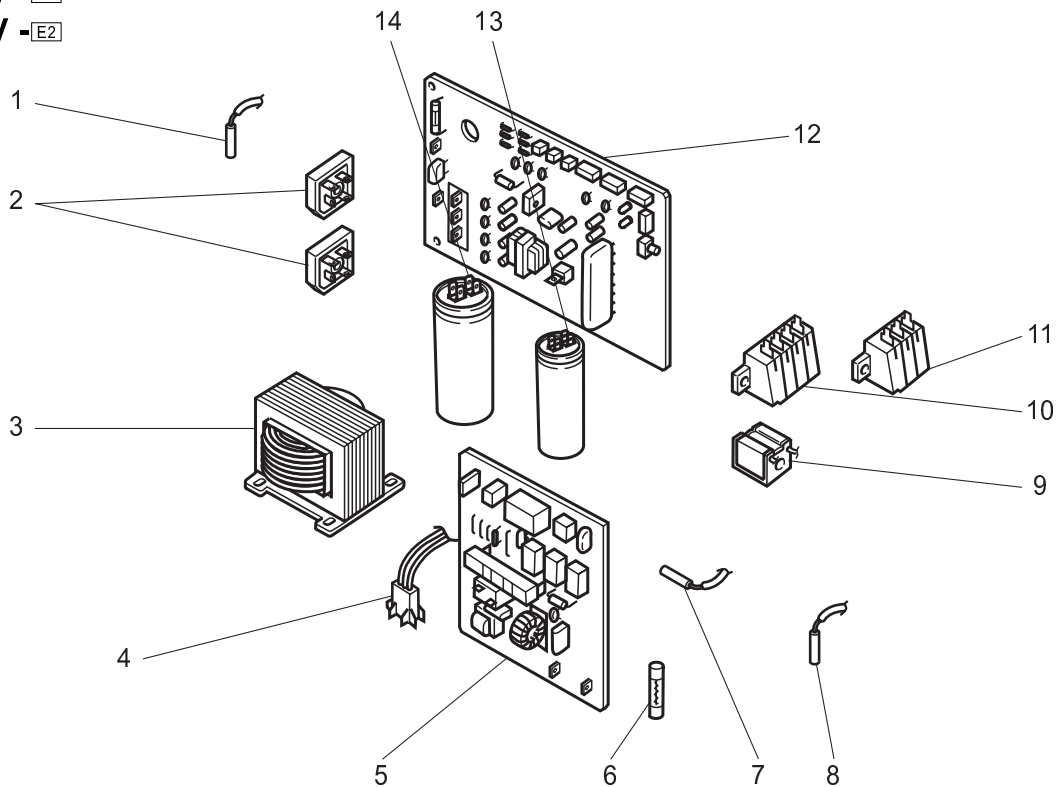


This manual describes technical data of outdoor unit.
For the indoor unit refer to the service manuals No. OB229, OB227 REVISED EDITION-B, OB252 REVISED EDITION-A, OC280 REVISED EDITION-A, OC281 REVISED EDITION-A and OC165 of corresponding models.

14-1. OUTDOOR UNIT FUNCTIONAL PARTS

MXZ-18TV -[E1]

MXZ-18TV -[E2]

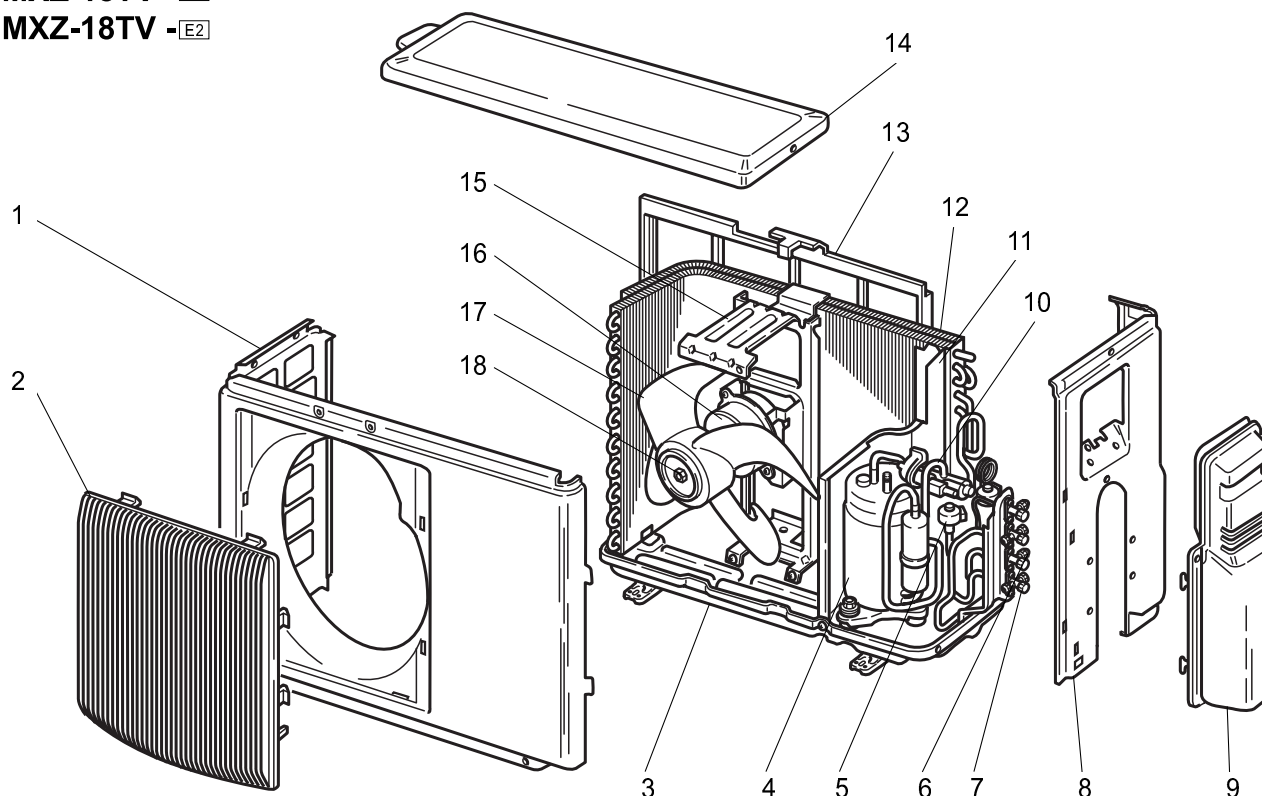


No.	Parts No.	Parts Name	Symbol in Wiring Diagram	Q'ty / unit		Remarks
				MXZ-18TV-[E1]	MXZ-18TV-[E2]	
1	T2W E87 308	FIN TEMPERATURE THERMISTOR	RT67	1	1	
2	T2W E45 447	DIODE STACK	DS61, DS62	2	2	
3	M21 68K 337	REACTOR	L	1	1	
4	T2W E87 471	CONNECTOR POST ASSY		1	1	
5	T2W E87 424	NOISE FILTER P.C. BOARD		1		
	T2W G04 424	NOISE FILTER P.C. BOARD			1	
6	T2W E99 382	FUSE		1	1	20A
7	T2W E87 309	THERMISTOR SET	RT61,RT62,RT63	1	1	EVAOPRATION DISCHARGE, DEFROST
8	T2W E87 306	GAS PIPE TEMPERATURE THERMISTOR SET	RT66, RT65	1	1	GAS PIPE TEMPERATURE THERMISTOR
9	T2W E87 389	R.V. COIL	21S4	1	1	
10	T2W E64 376	TERMINAL BED	TB2	1	1	
11	T2W E75 375	TERMINAL BED	TB1	1	1	
12	T2W E87 451	ELECTRONIC CONTROL P.C. BOARD		1	1	
13	T2W E45 357	POWER FACTOR CAPACITOR	C61	1	1	
14	T2W E75 356	SMOOTHING CAPACITOR	C62	1	1	
15	T2W E66 382	FUSE	F911	1	1	1A 250V
16	T2W E99 313	FUSE&VARISTOR	F912,NR63		1	3.15A 250V

14-2. OUTDOOR UNIT STRUCTURAL PARTS

MXZ-18TV-E1

MXZ-18TV-E2



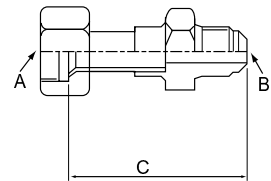
Part numbers that are circled are not shown in the illustration.

No.	Parts No.	Parts Name	Symbol in Wiring Diagram	Q'ty / unit		Remarks
				MXZ-18TV- E1	MXZ-18TV- E2	
1	T2W E87 232	FRONT PANEL ASSEMBLY		1	1	
2	T2W E87 521	GRILLE		1	1	
3	M21 68N 290	BASE ASSEMBLY		1	1	
4	T92 501 280	COMPRESSOR		1	1	SHV-130FEA
5	T2W E87 646	EXPANSION VALVE	LEV	1	1	
6	M21 21J 662	STOP VALVE (LIQUID)		2	2	
7	M21 00A 661	STOP VALVE (GAS)		2	2	
8	T2W E87 531	BACK PANEL		1	1	
9	T2W E87 245	SERVICE PANEL ASSEMBLY		1	1	
10	T2W G04 961	4-WAY VALVE		1	1	
11	T2W E87 293	SEPARATOR		1	1	
12	T2W E87 630	OUTDOOR HEAT EXCHANGER		1	1	
13	M21 68K 523	CONDENSER NET		1	1	
14	M21 68N 297	TOP PANEL		1	1	
15	T2W E87 515	MOTOR SUPPORT		1	1	
16	T2W E87 301	OUTDOOR FAN MOTOR		1	1	RA6V35-□□
17	M21 68N 501	PROPELLER FAN		1	1	
18	M21 61G 972	PROPELLER FAN NUT		1	1	
①9	T2W E87 645	LEV ASSEMBLY		1	1	
②0	M21 PA2 642	STRAINER		2	2	

15-1. Different-diameter pipe

MXZ-18TV	Model name	Model code	Connected pipes diameter (mm)	Length A	Length B	Length C
For different-diameter pipes	MAC-454JP	51H-454	$\phi 9.52$ — $\phi 12.7$ (3/8) (1/2)	$\phi 9.52$ (3/8)	$\phi 12.7$ (1/2)	69

Unit : mm (inch)





HEAD OFFICE: MITSUBISHI DENKI BLDG.,2-2-3, MARUNOUCHI, CHIYODA-KU, TOKYO100-8310, JAPAN

© Copyright 2001 MITSUBISHI ELECTRIC ENGINEERING CO.,LTD.

Distributed in Dec. 2002. No.OB280 REVISED EDITION-A 16

Reprinted in Dec. 2001 No.OB280 5

Reprinted in Dec. 2001 No.OB280 50

Distributed in Mar. 2001. No.OB280 49

Made in Japan

New publication, effective Dec. 2002

Specifications subject to change without notice.