

**Revision C:**

- MUX-A10/A19/A20/A25/A26WV -[E1] can be connected to MSC-A07/A09/A12YV -[E1].

Please void OB307 REVISED EDITION-B.

**No. OB307  
REVISED EDITION-C**

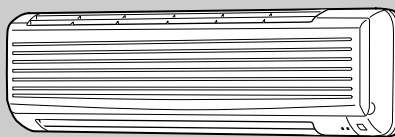

# SERVICE MANUAL

## Wireless type Models

- |                             |   |                        |
|-----------------------------|---|------------------------|
| <b>MSC-A07WV</b> -[E1] (WH) | - | <b>MU-A07WV</b> -[E1]  |
| <b>MSC-A09WV</b> -[E1] (WH) | - | <b>MU-A09WV</b> -[E1]  |
| <b>MSC-A12WV</b> -[E1] (WH) | - | <b>MU-A12WV</b> -[E1]  |
| <b>MSC-A07WV</b> -[E1] (WH) | - | <b>MUH-A07WV</b> -[E1] |
| <b>MSC-A09WV</b> -[E1] (WH) | - | <b>MUH-A09WV</b> -[E1] |
| <b>MSC-A12WV</b> -[E1] (WH) | - | <b>MUH-A12WV</b> -[E1] |

## Multi system type Models

- |                             |   |                        |
|-----------------------------|---|------------------------|
| <b>MSC-A07WV</b> -[E1] (WH) | - | <b>MUX-A10WV</b> -[E1] |
| <b>MSC-A09WV</b> -[E1] (WH) | - | <b>MUX-A19WV</b> -[E1] |
| <b>MSC-A12WV</b> -[E1] (WH) | - | <b>MUX-A20WV</b> -[E1] |
|                             | - | <b>MUX-A25WV</b> -[E1] |
|                             | - | <b>MUX-A26WV</b> -[E1] |



- MSC-A07WV** -[E1]
- MSC-A09WV** -[E1]
- MSC-A12WV** -[E1]

 Indication of  
model name

 Remote  
controller

## CONTENTS

1. TECHNICAL CHANGES .....	2
2. PART NAMES AND FUNCTIONS.....	6
3. INDOOR / OUTDOOR CORRESPONDENCE TABLE .....	8
4. SPECIFICATION.....	9
5. NOISE CRITERIA CURVES .....	15
6. OUTLINES AND DIMENSIONS .....	18
7. WIRING DIAGRAM .....	22
8. REFRIGERANT SYSTEM DIAGRAM .....	28
9. PERFORMANCE CURVES .....	40
10. MICROPROCESSOR CONTROL .....	75
11. SERVICE FUNCTIONS.....	86
12. TROUBLESHOOTING.....	88
13. DISASSEMBLY INSTRUCTIONS.....	105
14. PARTS LIST.....	116

**NOTE:**

- As for indoor units MSC-A07/A09/A12YV -[E1], refer to the service manual OB329.
- As for outdoor units MUX-A22WV -[E1], refer to the service manual OB318 REVISED EDITION-A.
- As for outdoor units MXZ-A18/A26/A32WV -[E1], refer to the service manual OB319.



**Revision C:**

•MUX-A10/A19/A20/A25/A26WV -<sup>[E1]</sup> can be connected to MSC-A07/A09/A12YV -<sup>[E1]</sup>.

**1****TECHNICAL CHANGES**

**MSC-07RV-<sup>[E4]</sup> → MSC-A07WV-<sup>[E1]</sup>**

**MSC-09RV-<sup>[E4]</sup> → MSC-A09WV-<sup>[E1]</sup>**

**MSC-12RV-<sup>[E4]</sup> → MSC-A12WV-<sup>[E1]</sup>**

1. Rated voltage has changed. (220-240V → 230V)
2. Indoor model has changed.

**MU-07RV-<sup>[E4]</sup> → MU-A07WV-<sup>[E1]</sup>**

1. Refrigerant has changed. (R22 → R410A)
2. Compressor has changed. (RH130VGCT → RN092VHSHT)

**MU-09RV-<sup>[E4]</sup> → MU-A09WV-<sup>[E1]</sup>**

1. Refrigerant has changed. (R22 → R410A)
2. Compressor has changed. (RH140VGCT → RN099VHSHT)

**MU-12RV-<sup>[E4]</sup> → MU-A12WV-<sup>[E1]</sup>**

1. Refrigerant has changed. (R22 → R410A)
2. Compressor has changed. (RH220VHAT → RN135VHSHT)

**MUH-07RV-<sup>[E4]</sup> → MUH-A07WV-<sup>[E1]</sup>**

1. Refrigerant has changed. (R22 → R410A)
2. Compressor has changed. (RH130VGCT → RN092VHSHT)

**MUH-09RV-<sup>[E4]</sup> → MUH-A09WV-<sup>[E1]</sup>**

1. Refrigerant has changed. (R22 → R410A)
2. Compressor has changed. (RH165VGCT → RN104VHSHT)

**MUH-12RV-<sup>[E4]</sup> → MUH-A12WV-<sup>[E1]</sup>**

1. Refrigerant has changed. (R22 → R410A)
2. Compressor has changed. (RH220VHAT → RN135VHSHT)

**MUX-10RV-<sup>[E2]</sup> → MUX-A10WV-<sup>[E1]</sup>**

1. Outdoor model has changed.
2. Refrigerant has changed. (R22 → R410A)

**MUX-19TV-<sup>[E1]</sup> → MUX-A19WV-<sup>[E1]</sup>**

**MUX-20TV-<sup>[E1]</sup> → MUX-A20WV-<sup>[E1]</sup>**

**MUX-25TV-<sup>[E1]</sup> → MUX-A25WV-<sup>[E1]</sup>**

1. Refrigerant has changed. (R22 → R410A)

**MUX-24RV-<sup>[E2]</sup> → MUX-A26WV-<sup>[E1]</sup>**

1. Outdoor model has changed.
2. Refrigerant has changed. (R22 → R410A)

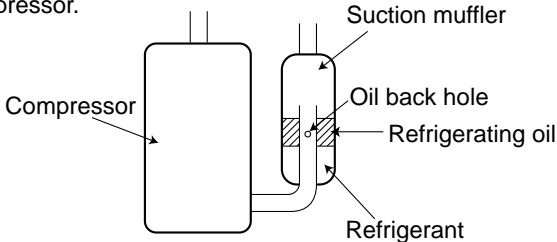
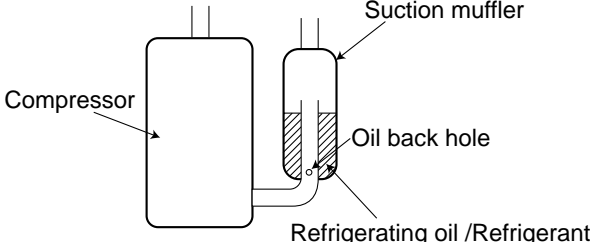
## INFORMATION FOR THE AIR CONDITIONER WITH R410A REFRIGERANT

- This room air conditioner adopts an HFC refrigerant (R410A) which never destroys the ozone layer.
  - Pay particular attention to the following points, though the basic installation procedure is same as that for R22 conditioners.
- ① As R410A has working pressure approximate 1.6 times as high as that of R22, some special tools and piping parts/materials are required. Refer to the table below.
  - ② Take sufficient care not to allow water and other contaminations to enter the R410A refrigerant during storage and installation, since it is more susceptible to contaminations than R22.
  - ③ For refrigerant piping, use clean, pressure-proof parts/materials specifically designed for R410A. (Refer to 2. Refrigerant piping.)
  - ④ Composition change may occur in R410A since it is a mixed refrigerant. When charging, charge liquid refrigerant to prevent composition change.

		New refrigerant	Previous refrigerant
Refrigerant	Refrigerant	R410A	R22
	Composition (Ratio)	HFC-32: HFC-125 (50%:50%)	R22 (100%)
	Refrigerant handling	Pseudo-azeotropic refrigerant	Single refrigerant
	Chlorine	Not included	Included
	Safety group (ASHRAE)	A1/A1	A1
	Molecular weight	72.6	86.5
	Boiling point (°C)	-51.4	-40.8
	Steam pressure [25°C](Mpa)	1.557	0.94
	Saturated steam density [25°C](Kg/m³)	64	44.4
	Combustibility	Non combustible	Non combustible
	ODP *1	0	0.055
	GWP *2	1730	1700
	Refrigerant charge method	From liquid phase in cylinder	Gas phase
	Additional charge on leakage	Possible	Possible
Refrigerating oil	Kind	Incompatible oil	Compatible oil
	Color	Non	Light yellow
	Smell	Non	Non

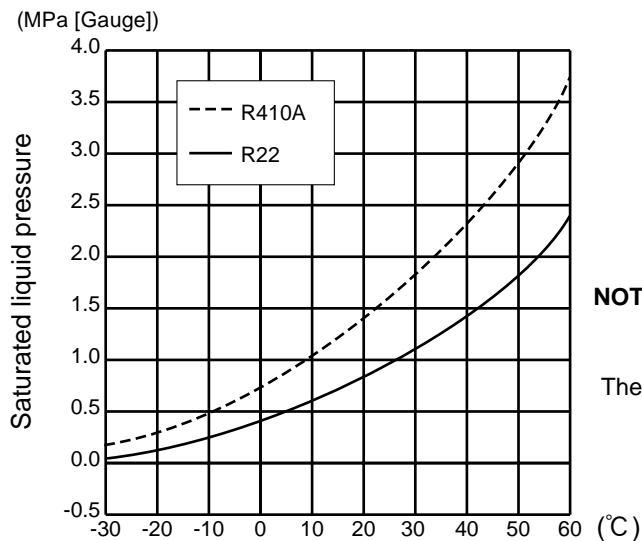
\*1 :Ozone Destruction Parameter : based on CFC-11

\*2 :Global Warmth Parameter : based on CO<sub>2</sub>

		New Specification	Current Specification
Compressor	<p>The incompatible refrigerating oil easily separates from refrigerant and is in the upper layer inside the suction muffler. Raising position of the oil back hole enables to back the refrigerating oil of the upper layer to flow back to the compressor.</p> 	<p>Since refrigerant and refrigerating oil are compatible each, refrigerating oil backs to the compressor through the lower position oil back hole.</p> 	

**NOTE** : The unit of pressure has been changed to MPa on the international system of units(SI unit system).  
The conversion factor is: **1(MPa [Gauge]) =10.2(kgf/cm<sup>2</sup> [Gauge])**

## Conversion chart of refrigerant temperature and pressure



**NOTE :** The unit of pressure has been changed to MPa on the international system of units(SI unit system).

The conversion factor is: **1(MPa [Gauge]) = 10.2(kgf/cm<sup>2</sup> [Gauge])**

### 1.Tools dedicated for the air conditioner with R410A refrigerant

The following tools are required for R410A refrigerant. Some R22 tools can be substituted for R410A tools. The diameter of the service port on the stop valve in outdoor unit has been changed to prevent any other refrigerant being charged into the unit. Cap size has been changed from 7/16 UNF with 20 threads to 1/2 UNF with 20 threads.

R410A tools	Can R22 tools be used?	Description
Gauge manifold	No	R410A has high pressures beyond the measurement range of existing gauges. Port diameters have been changed to prevent any other refrigerant from being charged into the unit.
Charge hose	No	Hose material and cap size have been changed to improve the pressure resistance.
Gas leak detector	No	Dedicated for HFC refrigerant.
Torque wrench	Yes	6.35 mm and 9.52 mm
	No	12.7 mm
Flare tool	Yes	Clamp bar hole has been enlarged to reinforce the spring strength in the tool.
Flare gauge	New	Provided for flaring work (to be used with R22 flare tool).
Vacuum pump adapter	New	Provided to prevent the back flow of oil. This adapter enables you to use vacuum pumps.
Electronic scale for refrigerant charging	New	It is difficult to measure R410A with a charging cylinder because the refrigerant bubbles due to high pressure and high-speed vaporization

No : Not Substitutable for R410A    Yes : Substitutable for R410A

### 2.Refrigerant piping

#### ① Specifications

Use the refrigerant pipes that meet the following specifications.

Pipe	Outside diameter	Wall thickness	Insulation material
	mm		
For liquid	6.35	0.8 mm	Heat resisting foam plastic Specific gravity 0.045 Thickness 8 mm
For gas	9.52	0.8 mm	
	12.7	0.8 mm	

- Use a copper pipe or a copper-alloy seamless pipe with a thickness of 0.8 mm. Never use any pipe with a thickness less than 0.8mm, as the pressure resistance is insufficient.

② Flaring work and flare nut

Flaring work for R410A pipe differs from that for R22 pipe.

For details of flaring work, refer to Installation manual "FLARING WORK".

Pipe diameter	Dimension of flare nut	
	R410A	R22
mm		
6.35	17	17
9.52	22	22
12.7	26	24

**3.Refrigerant oil**

Apply the special refrigeration oil (accessories: packed with indoor unit) to the flare and the union seat surfaces.

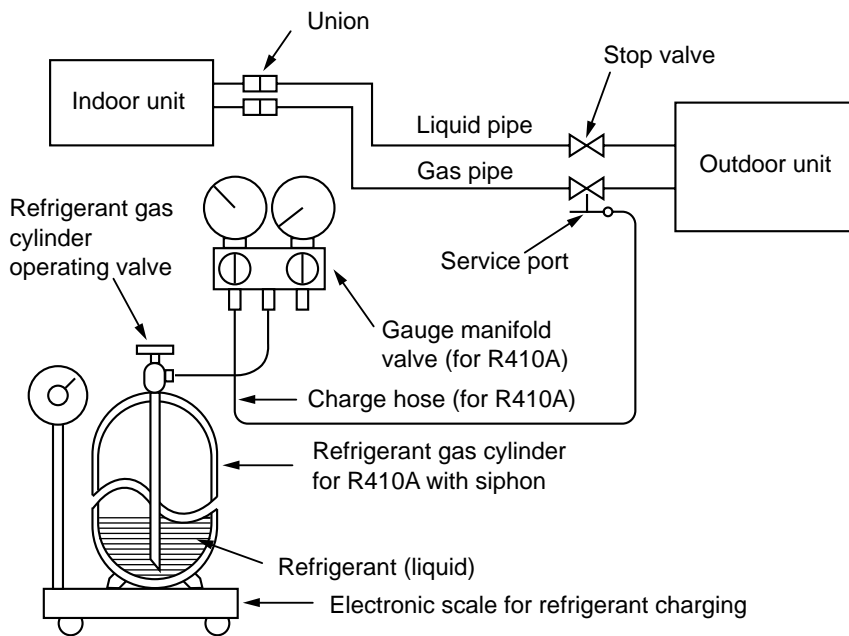
**4.Air purge**

- Do not discharge the refrigerant into the atmosphere.  
Take care not to discharge refrigerant into the atmosphere during installation, reinstallation, or repairs to the refrigerant circuit.
- Use the vacuum pump for air purging for the purpose of environmental protection.

**5.Additional charge**

For additional charging, charge the refrigerant from liquid phase of the gas cylinder.

If the refrigerant is charged from the gas phase, composition change may occur in the refrigerant inside the cylinder and the outdoor unit. In this case, ability of the refrigerating cycle decreases or normal operation can be impossible. However, charging the liquid refrigerant all at once may cause the compressor to be locked. Thus, charge the refrigerant slowly.

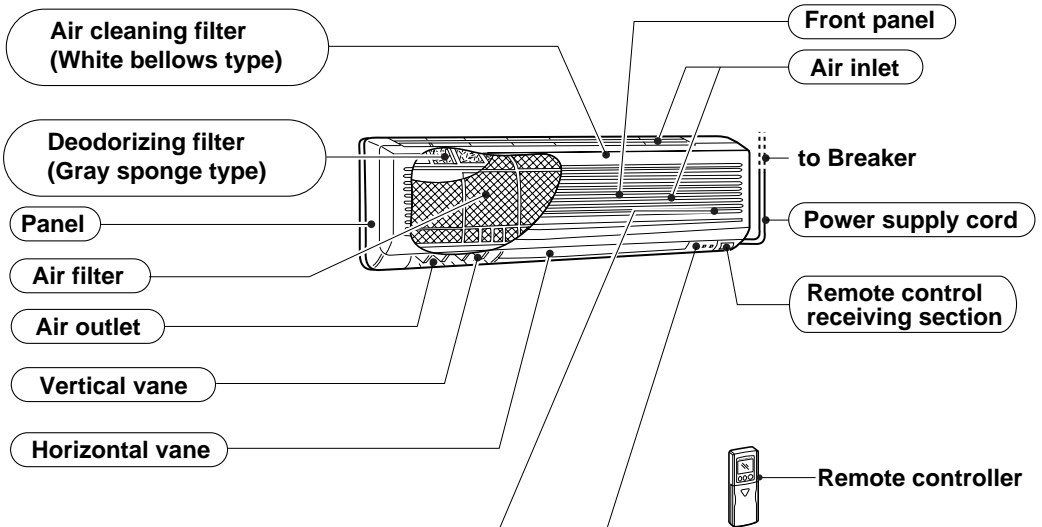


**INDOOR UNIT**

MSC-A07WV -E1

MSC-A09WV -E1

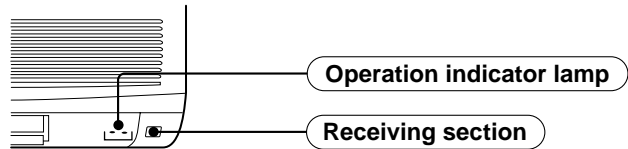
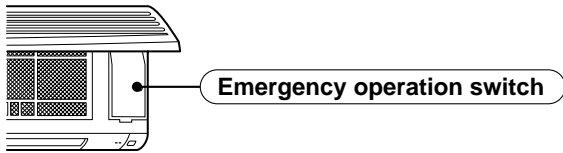
MSC-A12WV -E1



Operation section

Display section

(When the front panel is opened)



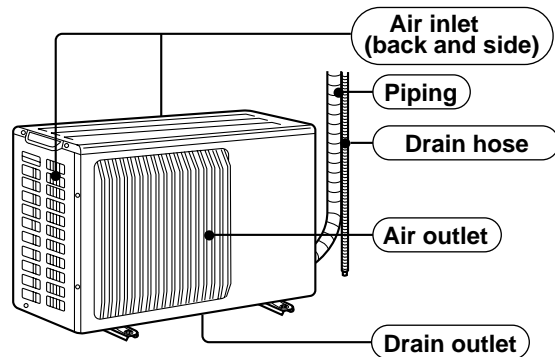
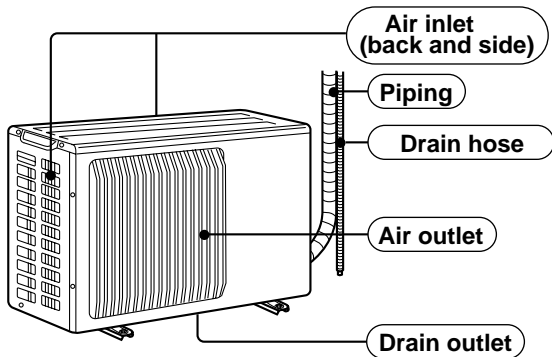
**OUTDOOR UNIT**

MU-A07WV -E1 MUH-A07WV -E1

MU-A09WV -E1 MUH-A09WV -E1

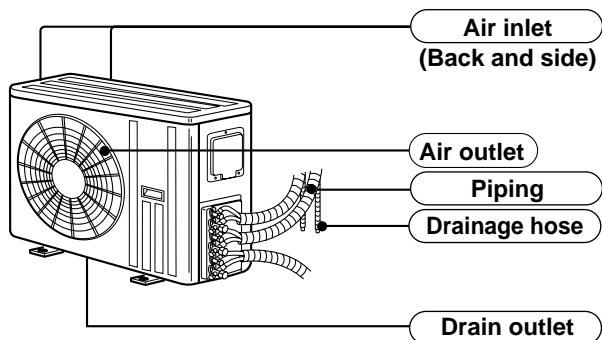
MU-A12WV -E1 MUH-A12WV -E1

MUX-A10WV-E1

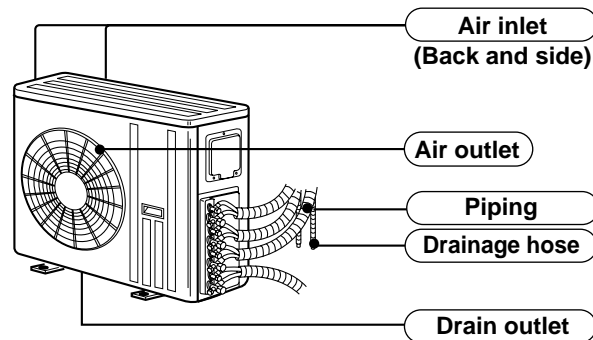


## OUTDOOR UNIT

**MUX-A19WV-<sup>[E1]</sup>** **MUX-A25WV-<sup>[E1]</sup>**  
**MUX-A20WV-<sup>[E1]</sup>**



**MUX-A26WV-<sup>[E1]</sup>**



## ACCESSORIES

**MSC-A07WV-<sup>[E1]</sup>**  
**MSC-A09WV-<sup>[E1]</sup>**  
**MSC-A12WV-<sup>[E1]</sup>**

<Indoor unit>

①	Installation plate	1
②	Installation plate fixing screw 4 × 25 mm	5
③	Remote controller holder	1
④	Fixing screw for ③ 3.5 × 16 mm	2
⑤	Battery (AAA) for remote controller	2
⑥	Wireless remote controller	1
⑦	Felt tape (Used for left or left-rear piping)	1
⑧	Deodorizing filter	1
⑨	Air cleaning filter	1
⑩	Refrigerant oil	1

**MUH-A07WV-<sup>[E1]</sup>**  
**MUH-A09WV-<sup>[E1]</sup>**  
**MUH-A12WV-<sup>[E1]</sup>**

<Outdoor unit: MUH type>

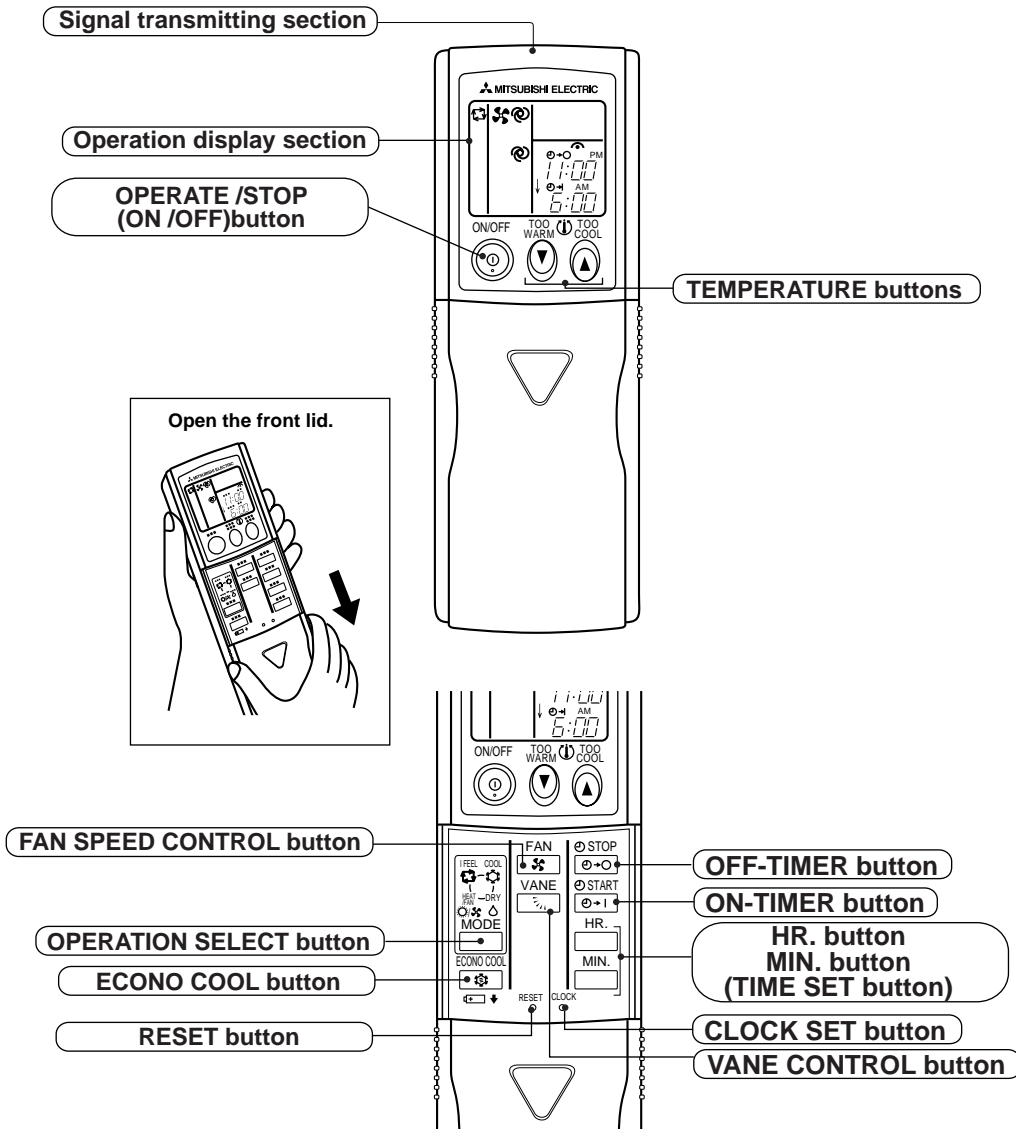
⑪	Drain socket	1
⑫	Drain cap	2

## REMOTE CONTROLLER

MSC-A07WV -E1

MSC-A09WV -E1

MSC-A12WV -E1



## 3 INDOOR / OUTDOOR CORRESPONDENCE TABLE

MSC-A07WV -E1 MSC-A09WV -E1 MSC-A12WV -E1

MUX-A10WV -E1 MUX-A19WV -E1 MUX-A20WV -E1 MUX-A25WV -E1 MUX-A26WV -E1

	OUTDOOR UNIT				
	MUX-A10WV- E1	MUX-A19WV- E1	MUX-A20WV- E1	MUX-A25WV- E1	MUX-A26WV- E1
Combination of the connectable indoor units	A: } MSC-A07WV-E1 or B: } MSC-A07YV-E1	A: MSC-A12WV- E1 or MSC-A12YV- E1 B: MSC-A07WV- E1 or MSC-A07YV- E1	A: } MSC-A09WV- E1 B: } or C: } MSC-A09YV- E1	A: } MSC-A12WV-E1 or B: } MSC-A12YV-E1	A: } MSC-A12WV- E1 or B: } MSC-A12YV- E1 C: } MSC-A09WV- E1 or D: } MSC-A09YV- E1



## 4

## SPECIFICATION

Indoor model			MSC-A07WV - [E1]	MSC-A09WV - [E1]	MSC-A12WV - [E1]
Function			Cooling	Cooling	Cooling
Indoor unit power supply			Single phase 230V,50Hz	Single phase 230V,50Hz	Single phase 230V,50Hz
Capacity	Air flow(High/Med./Low*)	m <sup>3</sup> /h	474/372*/276*	474/384*/306*	582/444*/324*
Electrical data	Power outlet	A	10	10	10
	Running current	A	0.17	0.17	0.19
	Power input	W	35	35	40
	Power factor	%	90	90	92
	Starting current	A	—	—	—
	Fan motor current	A	0.17	0.17	0.19
Fan motor	Model		RC4V19-LA	RC4V19-LA	RC4V19-KA
	Winding resistance(at 20°C)	Ω	WHT-BLK 413 BLK-RED 334	WHT-BLK 413 BLK-RED 334	WHT-BLK 316 BLK-RED 299
	Dimensions W×H×D	mm	815×278×217	815×278×217	815×278×217
Weight	kg	9	9	10	
Air direction			5	5	5
Special remarks	Sound level(High/Med./Low*)	dB	36/31*/25*	36/31*/25*	40/33*/26*
	Fan speed (High/Med./Low*)	rpm	900/750*/600*	900/770*/650*	930/760*/600*
	Fan speed regulator		3	3	3
	Thermistor RT11(at 25°C)	kΩ	10	10	10
	Thermistor RT12(at 25°C)	kΩ	10	10	10
Outdoor model			MU-A07WV - [E1]	MU-A09WV - [E1]	MU-A12WV - [E1]
Outdoor unit power supply			Single phase 230V,50Hz	Single phase 230V,50Hz	Single phase 230V,50Hz
Capacity	Capacity	kW	2.3	2.55	3.45
	Dehumidification	ℓ /h	0.9	1.1	1.6
	Outdoor air flow	m <sup>3</sup> /h	1,686	1,686	1,914
Electrical data	Power outlet	A	10	10	10
	Running current	A	2.98	3.26	4.91
	Power input	W	675	745	1,100
	Auxiliary heater	A(kW)	—	—	—
	Power factor	%	98	99	97
	Starting current	A	23	24	29
	Compressor motor current	A	2.76	3.04	4.60
	Fan motor current	A	0.22	0.22	0.31
Coefficient of performance(C.O.P)			3.24	3.27	3.03
Compressor	Model		RN092VHSHT	RN099VHSHT	RN135VHSHT
	Output	W	600	700	900
	Winding resistance(at 20°C)	Ω	C-R 3.87 C-S 6.14	C-R 3.40 C-S 4.56	C-R 2.79 C-S 3.36
Fan motor	Model		RA6V23-FC	RA6V23-FC	RA6V33-DC
	Winding resistance(at 20°C)	Ω	WHT-BLK 353 BLK-RED 321	WHT-BLK 353 BLK-RED 321	WHT-BLK 301 BLK-RED 332
	Dimensions W×H×D	mm	780×540×255	780×540×255	780×540×255
Weight	kg	34	34	36	
Special remarks	Sound level	dB	45	45	49
	Fan speed	rpm	735	735	825
	Fan speed regulator		1	1	1
	Refrigerant filling capacity (R410A)	kg	0.75	0.80	0.83
	Refrigerating oil (Model)	cc	350 (NEO22 )	350 (NEO22 )	620 (NEO22)

**NOTE:** Test conditions are based on ISO 5151.

Cooling : Indoor DB27°C WB19°C

Outdoor DB35°C WB24°C

Indoor-Outdoor piping length : 5m

\* Reference value

Indoor model			MSC-A07WV - [E1]		MSC-A09WV - [E1]		MSC-A12WV - [E1]	
Function			Cooling	Heating	Cooling	Heating	Cooling	Heating
Indoor unit power supply			Single phase 230V,50Hz		Single phase 230V,50Hz		Single phase 230V,50Hz	
Capacity	Air flow(High/Med*/Low*)	m <sup>3</sup> /h	474/372*/276*	510/420*/342*	474/384*/306*	588/456*/342*	582/444*/324*	606/498*/396*
Electrical data	Power outlet	A	10		10		10	
	Running current	A	0.17		0.17		0.19	
	Power input	W	35		35		40	
	Power factor	%	90		90		92	
	Starting current	A	—		—		—	
	Fan motor current	A	0.17		0.17		0.19	
Fan motor	Model		RC4V19-LA		RC4V19-LA		RC4V19-KA	
	Winding resistance(at 20°C)	Ω	WHT-BLK 413 BLK-RED 334		WHT-BLK 413 BLK-RED 334		WHT-BLK 316 BLK-RED 299	
	Dimensions W×H×D	mm	815×278×217		815×278×217		815×278×217	
	Weight	kg	9		9		10	
	Air direction		5		5		5	
Special remarks	Sound level(High/Med*/Low*)	dB	36/31*/25*	36/31*/25*	36/31*/25*	39/32*/25*	40/33*/26*	39/33*/26*
	Fan speed(High/Med*/Low*)	rpm	900/750*/600*	950/820*/700*	900/770*/650*	1,050/870*/700*	930/760*/600*	960/830*/700*
	Fan speed regulator		3		3		3	
	Thermistor RT11(at 25°C)	kΩ	10		10		10	
	Thermistor RT12(at 25°C)	kΩ	10		10		10	
Outdoor model			MUH-A07WV - [E1]		MUH-A09WV - [E1]		MUH-A12WV - [E1]	
Outdoor unit power supply			Single phase 230V,50Hz		Single phase 230V,50Hz		Single phase 230V,50Hz	
Capacity	Capacity	kW	2.3	2.5	2.55	3.05	3.4	3.9
	Dehumidification	ℓ /h	0.9	—	1.1	—	1.6	—
	Outdoor air flow	m <sup>3</sup> /h	1,686		1,710		1,710	
Electrical data	Power outlet	A	10		10		10	
	Running current	A	2.98	2.86	3.26	3.52	4.51	4.61
	Power input	W	675	655	745	805	1,020	1,040
	Auxiliary heater	A(kW)	—		—		—	
	Power factor	%	98	100	99	99	98	98
	Starting current	A	23		24		29	
	Compressor motor current	A	2.76	2.64	2.95	3.21	4.20	4.30
	Fan motor current	A	0.22		0.31		0.31	
Coefficient of performance (C.O.P)			3.24	3.62	3.27	3.69	3.21	3.61
Compressor	Model		RN092VHSHT		RN104VHSHT		RN135VHSHT	
	Output	W	600		700		900	
	Winding resistance (at 20°C)	Ω	C-R 3.87 C-S 6.14		C-R 3.40 C-S 4.56		C-R 2.79 C-S 3.36	
Fan motor	Model		RA6V23-FB		RA6V33-DB		RA6V33-DB	
	Winding resistance (at 20°C)	Ω	WHT-BLK 353 BLK-RED 321		WHT-BLK 301 BLK-RED 332		WHT-BLK 301 BLK-RED 332	
	Dimensions W×H×D	mm	780×540×255		780×540×255		780×540×255	
	Weight	kg	35		38		40	
Special remarks	Sound level	dB	47		49		49	
	Fan speed	rpm	735		825		825	
	Fan speed regulator		1		1		1	
	Refrigerant filling capacity (R410A)	kg	0.75		1.10		1.15	
	Refrigerating oil (Model)	cc	350 (NEO22)		350 (NEO22)		620 (NEO22)	
	Thermistor RT61 (at 0°C)	kΩ	33.18		33.18		33.18	

**NOTE:** Test conditions are based on ISO 5151.

Cooling : Indoor DB27°C WB19°C

Outdoor DB35°C WB24°C

Indoor-Outdoor piping length : 5m

\* Reference value

Heating : Indoor DB20°C

Outdoor DB 7°C/WB 6°C

**NOTE:** As for specification of indoor unit, refer to page 9 (MSC-A07/A09/A12WV) or OB329 (MSC-A07/A09/A12YV).

Outdoor model			MUX-A10WV - [E1]		MUX-A19WV - [E1]		
Function			Cooling		Cooling		
Outdoor unit power supply			Single phase 230V,50Hz		Single phase 230V,50Hz		
Indoor unit No.			Single A or B	Double A+B	Single A	Single B	Double A+B
Capacity	Capacity	kW	2.4	1.4×2	3.5	2.4	3.5+2.4
	Dehumidification	ℓ /h	0.9	0.2×2	1.4	0.9	1.4+0.9
	Outdoor air flow	m³ /h	1,914		2,460		
Electrical data	Power outlet	A	10		20		
	Running current	A	3.20	3.25	5.73	3.51	8.96
	Power input	W	725	730	1,280	785	2,005
	Auxiliary heater	A(kW)	—		—		
	Power factor	%	98.5	97.7	97.1	97.2	97.3
	Starting current	A	21		48		
	Compressor motor current	A	2.91	2.96	5.16	2.94	8.39
	Fan motor current	A	0.29		0.57		
Coefficient of performance (C.O.P)			3.16	3.50	2.65	2.93	2.84
Compressor	Model		RN092VHSHT		MC1 : RN145VHSHT, MC2 : RN092VHSHT		
	Output	W	600		MC1 : 1,000, MC2 : 600		
	Winding resistance (at 20°C)	Ω	C-R 3.87 C-S 6.14		MC1 : C-R 2.43 , MC2 : C-R 3.87 C-S 3.80 , MC2 : C-S 6.14		
Fan motor	Model		RA6V33-FC		RA6V60-GA		
	Winding resistance (at 20°C)	Ω	WHT-BLK 223 BLK-RED 221		WHT-BLK 90 BLK-RED 146		
Dimensions W×H×D		mm	780×540×255		840×640×330		
Weight		kg	35		66		
Special remarks	Sound level	dB	49		52		
	Fan speed	rpm	825		730		
	Fan speed regulator		1		1		
	Refrigerant filling capacity (R410A)	kg	0.90 (Room A+B)		1.00 (Room A) 0.80 (Room B)		
	Refrigerating oil (Model)	cc	350 (NEO22)		MC1 : 620 (NEO22), MC2 : 350 (NEO22)		

**NOTE:** Test conditions are based on ISO 5151.

Cooling : Indoor DB27°C WB19°C

Outdoor DB35°C WB24°C

Indoor-Outdoor piping length : 5m

Heating : Indoor DB20°C

Outdoor DB 7°C/WB 6°C

**NOTE:** As for specification of indoor unit, refer to page 9 (MSC-A07/A09/A12WV) or OB329 (MSC-A07/A09/A12YV).

Outdoor model			<b>MUX-A20WV - E1</b>					
Function			Cooling					
Outdoor unit power supply			Single phase 230V,50Hz					
Indoor unit No.			Single A	Single B or C	Double A+B or A+C	Double B+C	Triple A+B+C	
Capacity	Capacity	kW	2.6	2.9	2.6+2.8	1.75×2	2.5+1.75×2	
	Dehumidification	ℓ /h	0.9	1.2	0.9+1.1	0.3×2	0.8+0.3×2	
	Outdoor air flow	m <sup>3</sup> /h	2,460					
Electrical data	Power outlet	A	20					
	Running current	A	3.64	4.86	8.18	4.86	8.41	
	Power input	W	815	1,075	1,850	1,090	1,885	
	Auxiliary heater	A(kW)	—					
	Power factor	%	97.3	96.2	98.3	97.5	97.5	
	Starting current	A	47					
	Compressor motor current	A	3.07	4.29	7.61	4.29	7.84	
	Fan motor current	A	0.57					
Coefficient of performance (C.O.P)			3.06	2.61	2.81	3.02	3.02	
Compressor	Model		MC1 : RN099VHSHT, MC2 : RN125VHSHT					
	Output	W	MC1 : 650, MC2 : 800					
	Winding resistance (at 20°C)	Ω	MC1 : C-R 3.40 , MC2 : C-R 2.86 C-S 4.56 , MC2 : C-S 5.72					
Fan motor	Model		RA6V60-GA					
	Winding resistance (at 20°C)	Ω	WHT-BLK 90 BLK-RED 146					
Dimensions W×H×D		mm	840×640×330					
Weight		kg	65					
Special remarks	Sound level	dB	52					
	Fan speed	rpm	730					
	Fan speed regulator			1				
	Refrigerant filling capacity (R410A)	kg	0.80 (Room A) 1.00 (Room B+C)					
	Refrigerating oil (Model)	cc	MC1 : 350 (NEO22), MC2 : 350 (NEO22)					

**NOTE:** Test conditions are based on ISO 5151.

Cooling : Indoor DB27°C WB19°C  
Outdoor DB35°C WB24°C

Heating : Indoor DB20°C  
Outdoor DB 7°C/WB 6°C

Indoor-Outdoor piping length : 5m

**NOTE:** As for specification of indoor unit, refer to page 9 (MSC-A07/A09/A12WV) or OB329 (MSC-A07/A09/A12YV).

Outdoor model			<b>MUX-A25WV - E1</b>	
Function			Cooling	
Outdoor unit power supply			Single phase 230V,50Hz	
Indoor unit No.			Single A or B	Double A+B
Capacity	Capacity	kW	3.5	3.5×2
	Dehumidification	ℓ /h	1.4	1.4×2
	Outdoor air flow	m³ /h	2,460	
Electrical data	Power outlet	A	20	
	Running current	A	5.88	11.49
	Power input	W	1,300	2,540
	Auxiliary heater	A(kW)	—	
	Power factor	%	96.1	96.1
	Starting current	A	54	
	Compressor motor current	A	5.31	10.92
	Fan motor current	A	0.57	
Coefficient of performance (C.O.P)			2.61	2.67
Compressor	Model		MC1 : RN145VHSHT, MC2 : RN145VHSHT	
	Output	W	MC1 : 1,000, MC2 : 1,000	
	Winding resistance (at 20°C)	Ω	MC1 : C-R 2.43 , MC2 : C-R 2.43 C-S 3.80 , C-S 3.80	
Fan motor	Model		RA6V60-GA	
	Winding resistance (at 20°C)	Ω	WHT-BLK 90 BLK-RED 146	
Dimensions W×H×D		mm	840×640×330	
Weight		kg	68	
Special remarks	Sound level	dB	52	
	Fan speed	rpm	730	
	Fan speed regulator		1	
	Refrigerant filling capacity (R410A)	kg	0.95 (Room A) 0.95 (Room B)	
	Refrigerating oil (Model)	cc	MC1 : 620 (NEO22), MC2 : 620 (NEO22)	

**NOTE:** Test conditions are based on ISO 5151.

Cooling : Indoor DB27°C WB19°C

Outdoor DB35°C WB24°C

Indoor-Outdoor piping length : 5m

Heating : Indoor DB20°C

Outdoor DB 7°C/WB 6°C

**NOTE:** As for specification of indoor unit, refer to page 9 (MSC-A07/A09/A12WV) or OB329 (MSC-A07/A09/A12YV).

Outdoor model			MUX-A26WV - <span style="border: 1px solid black; padding: 0 2px;">E1</span>							
Function			Cooling							
Outdoor unit power supply			Single phase 230V,50Hz							
Indoor unit No.			Single A or B	Single C or D	Double A+B	Double A+C or A+D or B+C or B+D	Double C+D	Triple A+B+C or A+B+D	Triple A+C+D or B+C+D	Four A+B+C+D
Capacity	Capacity	kW	3.4	2.75	1.95×2	3.4+2.7	1.7×2	1.95×2+2.8	3.4+1.7×2	1.95×2+1.7×2
	Dehumidification	ℓ/h	1.2	1.1	0.2×2	1.2+1.1	0.3×2	0.2×2+1.1	1.2+0.3×2	0.2×2+0.3×2
	Outdoor air flow	m <sup>3</sup> /h	2,760							
Electrical data	Power outlet	A	20							
	Running current	A	5.28	4.54	5.46	9.57	4.78	9.61	9.66	9.75
	Power input	W	1,180	1,015	1,210	2,095	1,060	2,105	2,140	2,210
	Auxiliary heater	A(kW)	—							
	Power factor	%	97.2	97.2	96.4	95.2	96.4	95.2	96.3	98.6
	Starting current	A	52							
	Compressor motor current	A	4.75	4.01	4.93	9.04	4.25	9.08	9.13	9.22
	Fan motor current	A	0.53							
Coefficient of performance (C.O.P)			2.79	2.62	3.02	2.81	3.01	3.02	3.02	3.09
Compressor	Model		MC1 : RN145VHSHT, MC2 : RN125VHSHT							
	Output	W	MC1 : 1,000, MC2 : 800							
	Winding resistance (at 20°C)	Ω	MC1 : C-R 2.43 , MC2 : C-R 2.86 C-S 3.80 C-S 5.72							
Fan motor	Model		RA6V60-FA							
	Winding resistance (at 20°C)	Ω	WHT-BLK 79 BLK-RED 80							
	Dimensions W×H×D	mm	840×850×330							
	Weight	kg	76							
Special remarks	Sound level	dB	52							
	Fan speed	rpm	730							
	Fan speed regulator		1							
	Refrigerant filling capacity (R410A)	kg	1.05 (Room A+B) 1.05 (Room C+D)							
	Refrigerating oil (Model)	cc	MC1 : 620 (NEO22), MC2 : 350 (NEO22)							

**NOTE:** Test conditions are based on ISO 5151.

Cooling : Indoor DB27°C WB19°C

Outdoor DB35°C WB24°C

Indoor-Outdoor piping length : 5m

Heating : Indoor DB20°C

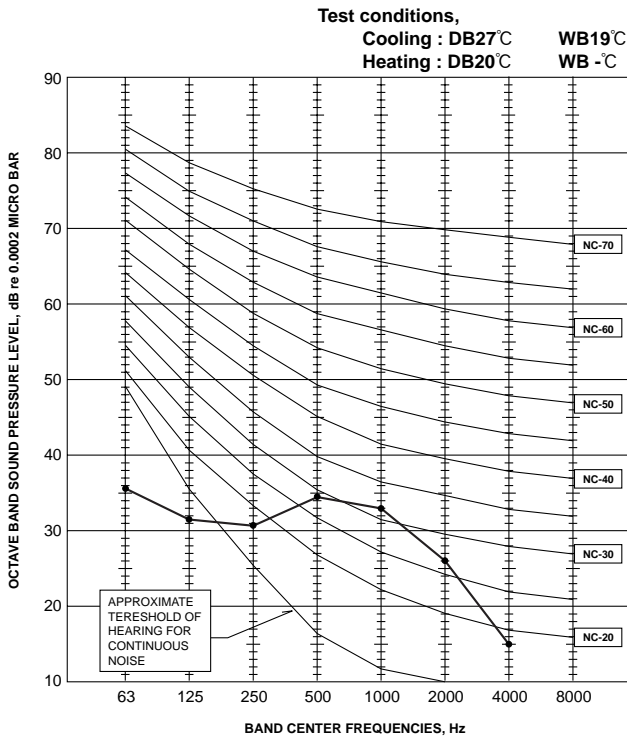
Outdoor DB 7°C/WB 6°C

# 5

# NOISE CRITERIA CURVES

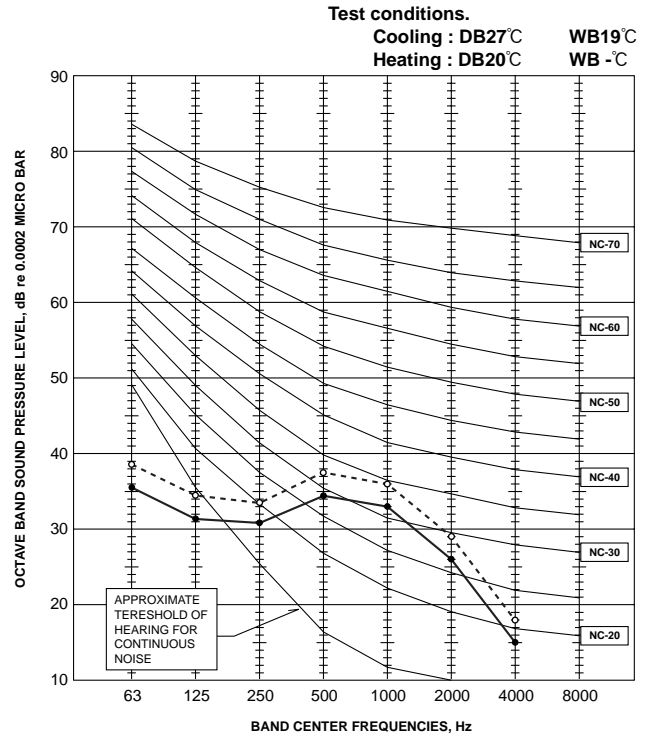
**MSC-A07WV- E1**

FAN SPEED	FUNCTION	SPL(dB(A))	LINE
High	COOL	36	●—●
	HEAT		○- - -○



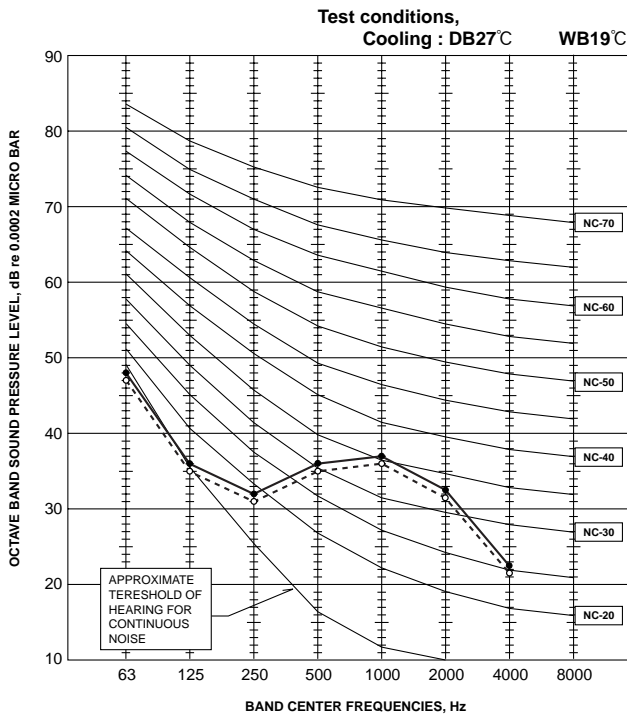
**MSC-A09WV- E1**

FAN SPEED	FUNCTION	SPL(dB(A))	LINE
High	COOL	36	●—●
	HEAT	39	○- - -○



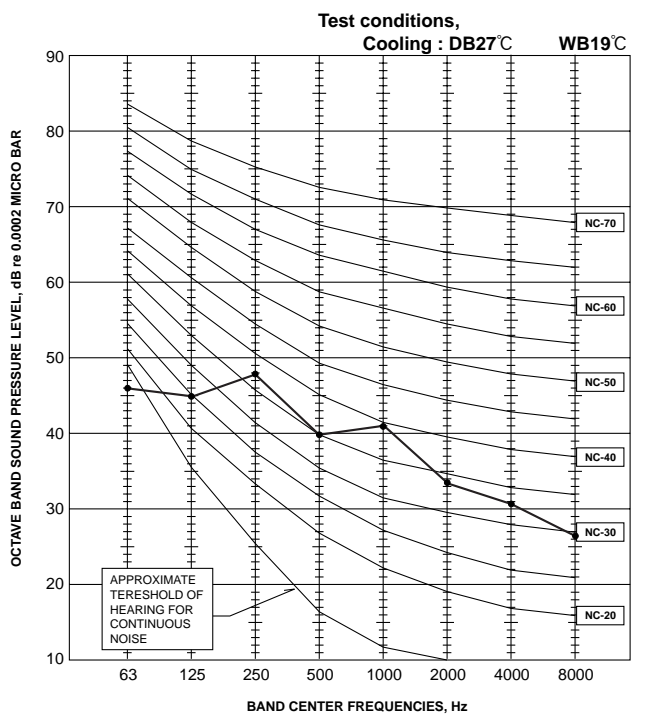
**MSC-A12WV- E1**

FAN SPEED	FUNCTION	SPL(dB(A))	LINE
High	COOL	40	●—●
	HEAT	39	○- - -○



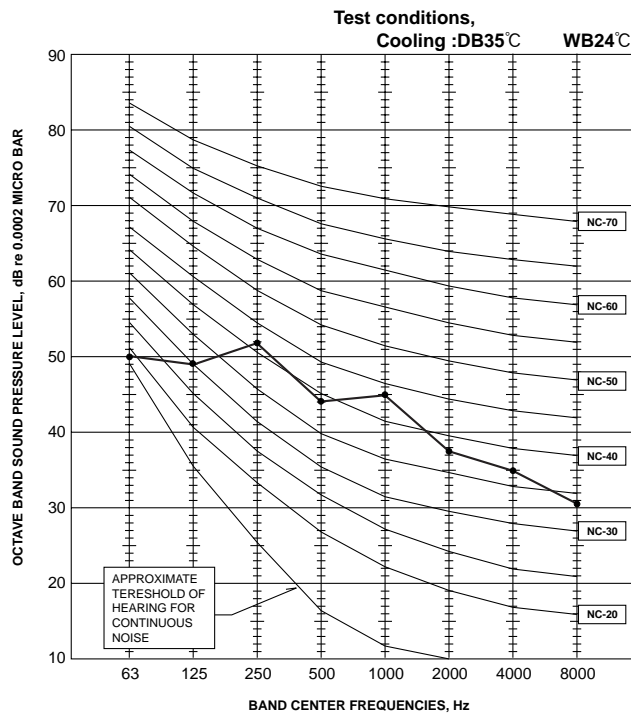
**MU-A07WV- E1**  
**MU-A09WV- E1**

FUNCTION	SPL(dB(A))	LINE
COOL	45	●—●



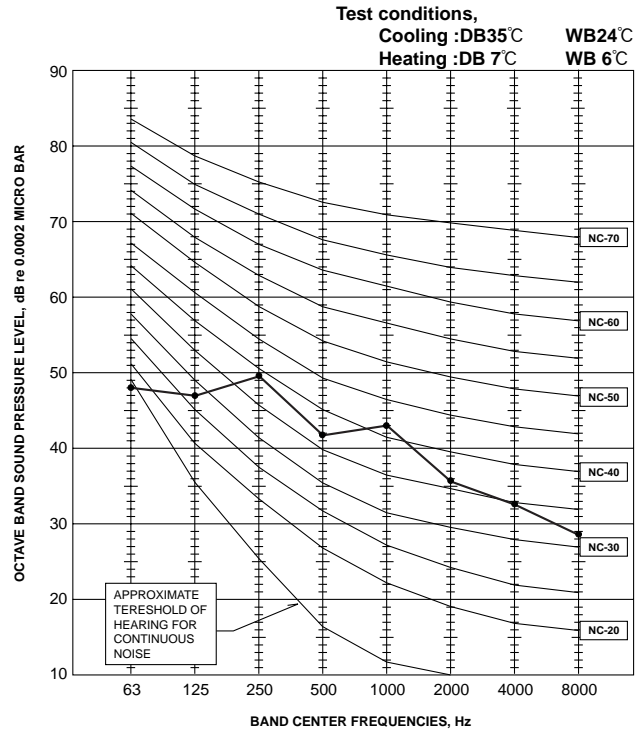
**MU-A12WV- E1**

FUNCTION	SPL(dB(A))	LINE
COOL	49	



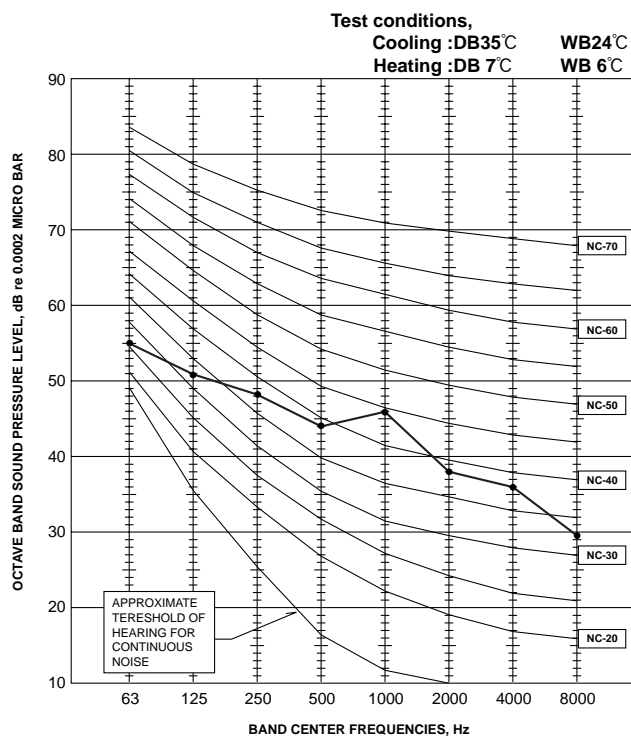
**MUH-A07WV- E1**

FUNCTION	SPL(dB(A))	LINE
COOL	47	
HEAT	47	



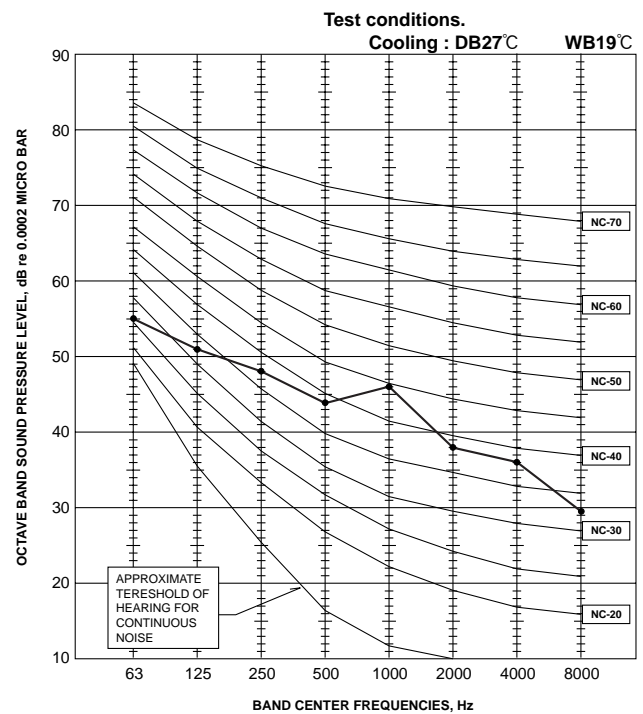
**MUH-A09WV- E1**  
**MUH-A12WV- E1**

FUNCTION	SPL(dB(A))	LINE
COOL	49	
HEAT	49	



**MUX-A10WV- E1**

FUNCTION	SPL(dB(A))	LINE
COOL	49	



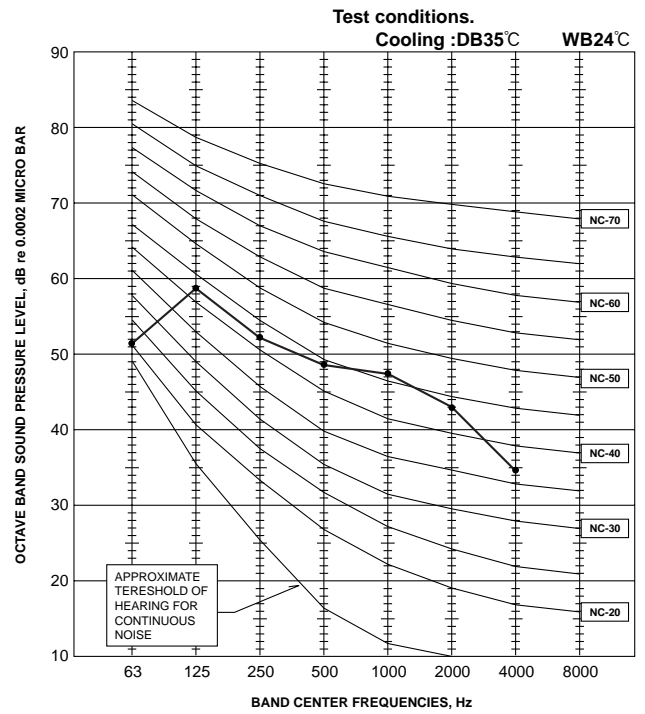
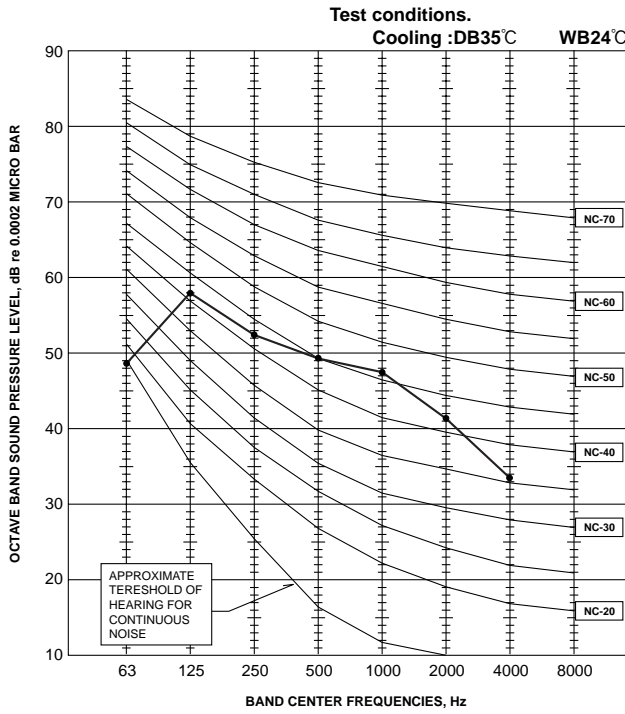


**MUX-A19WV - E1**  
**MUX-A20WV - E1**  
**MUX-A25WV - E1**

FUNCTION	SPL(dB(A))	LINE
COOL	52	

**MUX-A26WV - E1**

FUNCTION	SPL(dB(A))	LINE
COOL	52	



# 6

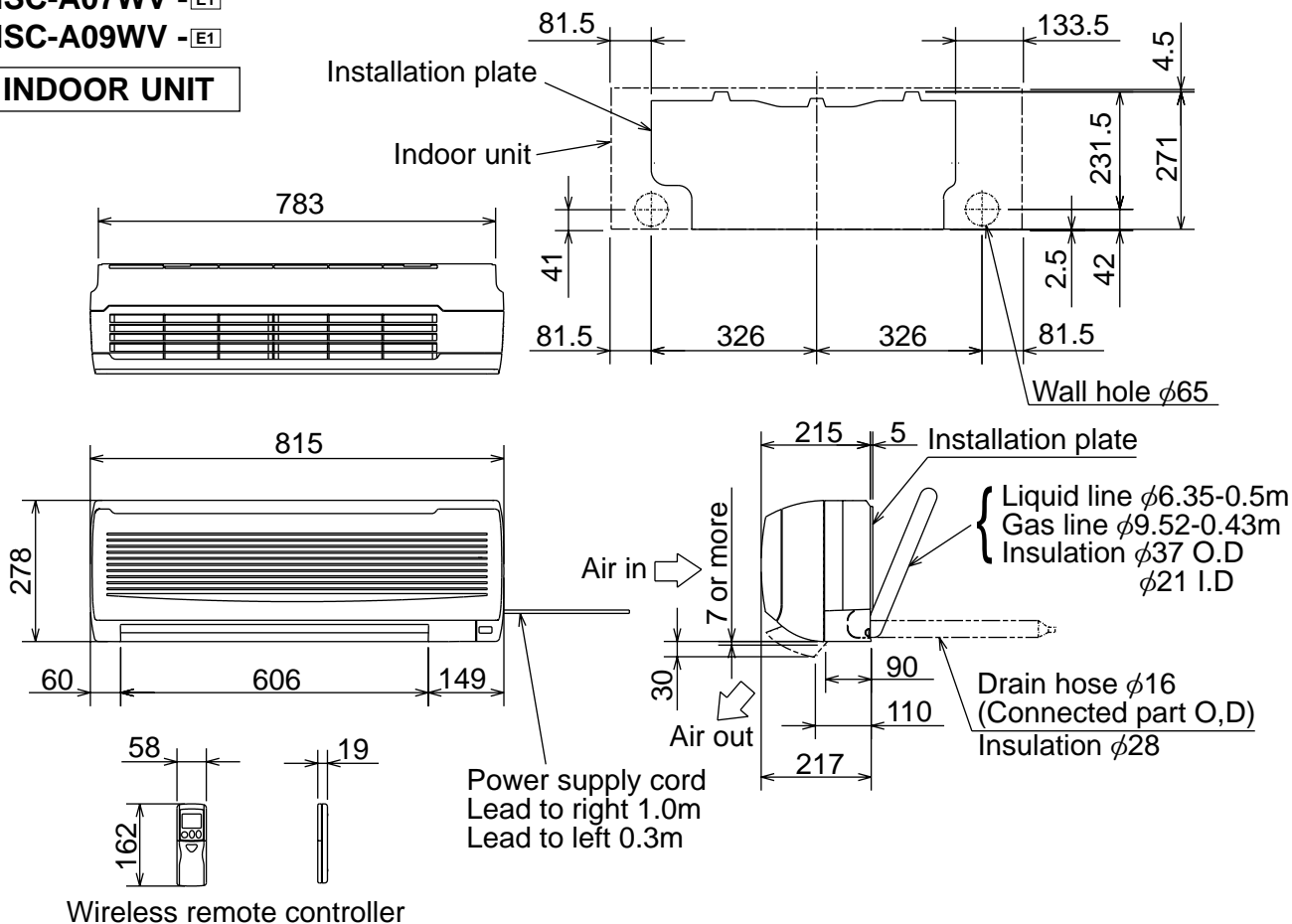
# OUTLINES AND DIMENSIONS

Unit: mm

MSC-A07WV - [E1]

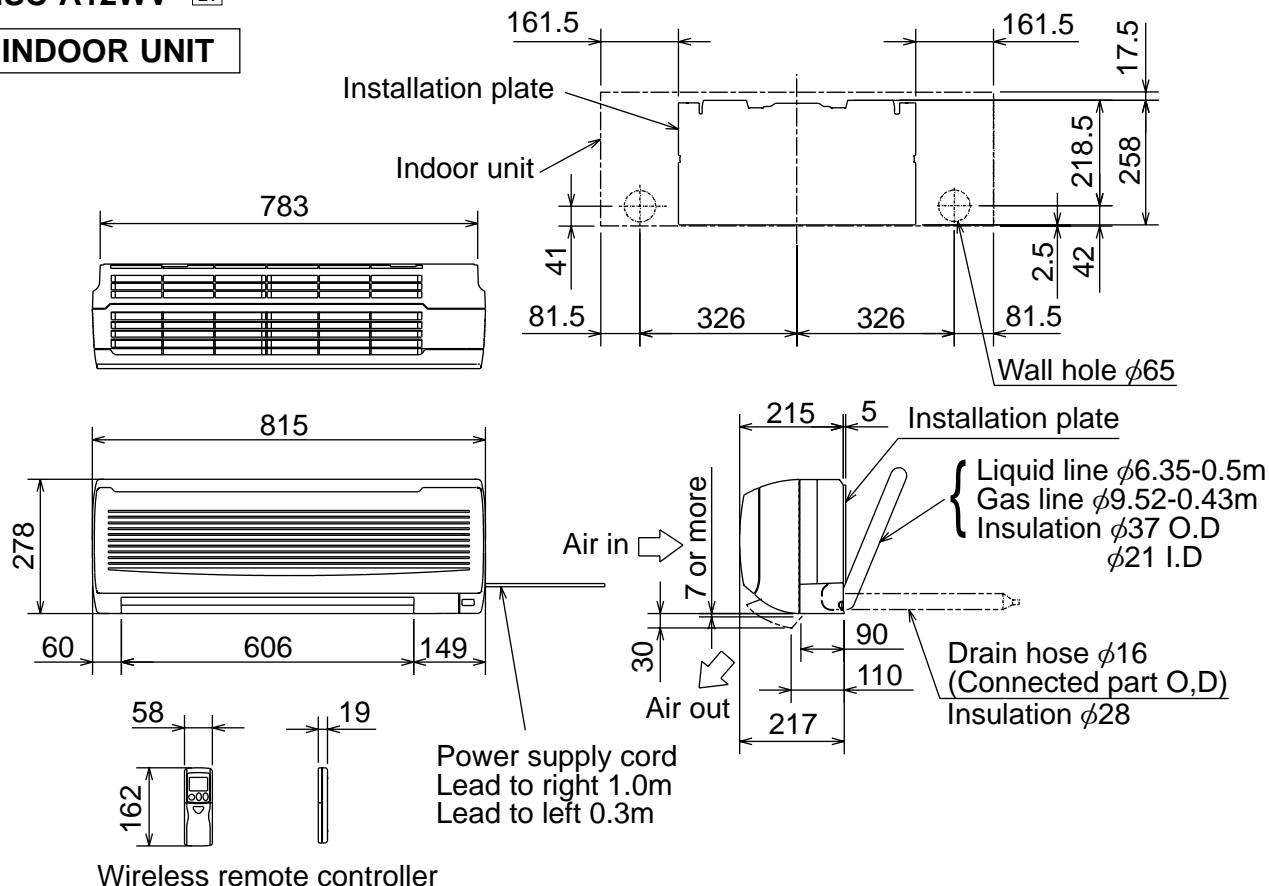
MSC-A09WV - [E1]

## INDOOR UNIT



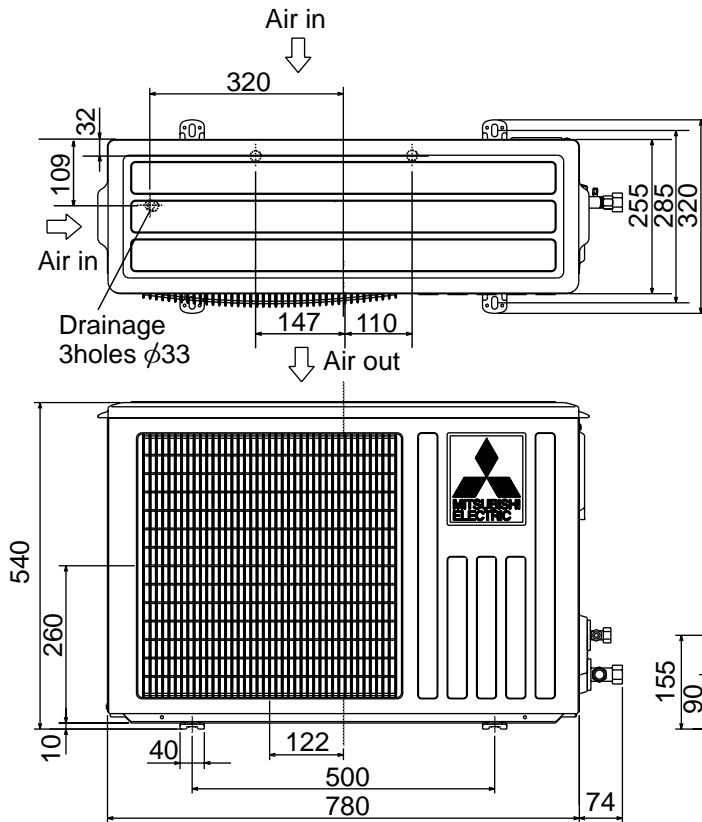
MSC-A12WV - [E1]

## INDOOR UNIT

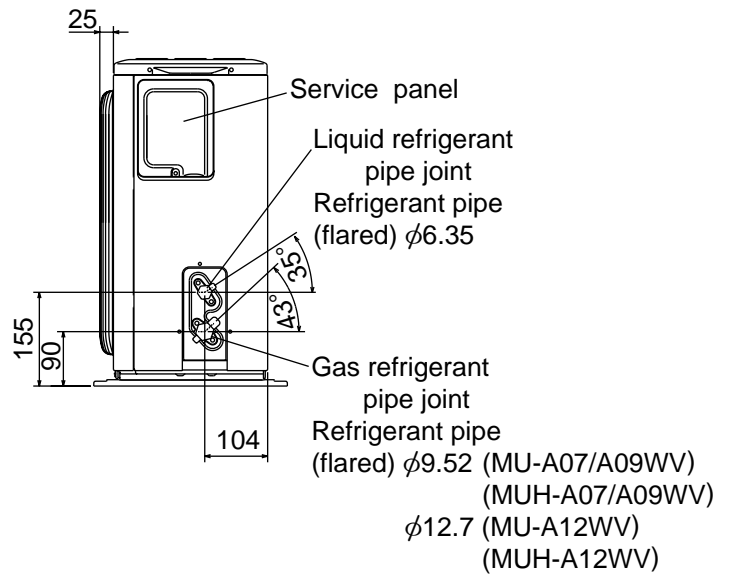
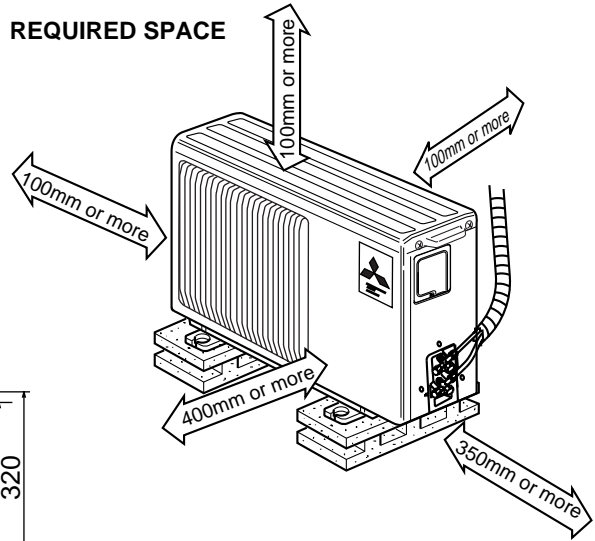


MU-A07WV -E1 MUH-A07WV -E1  
 MU-A09WV -E1 MUH-A09WV -E1  
 MU-A12WV -E1 MUH-A12WV -E1

**OUTDOOR UNIT**



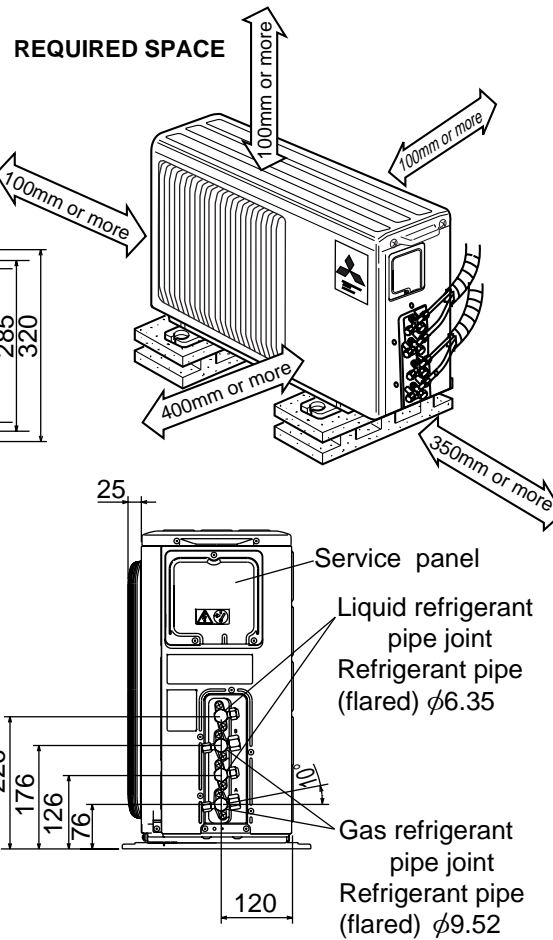
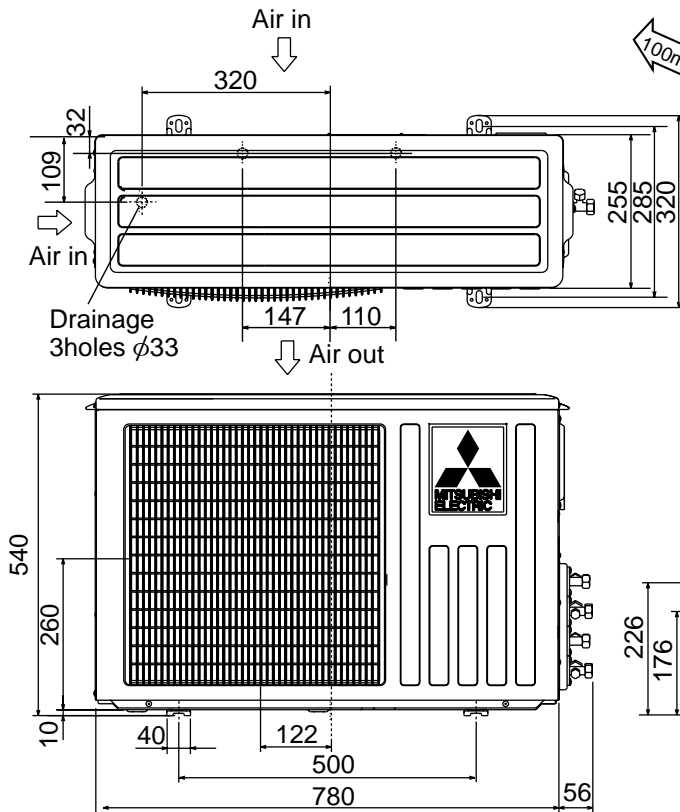
**REQUIRED SPACE**



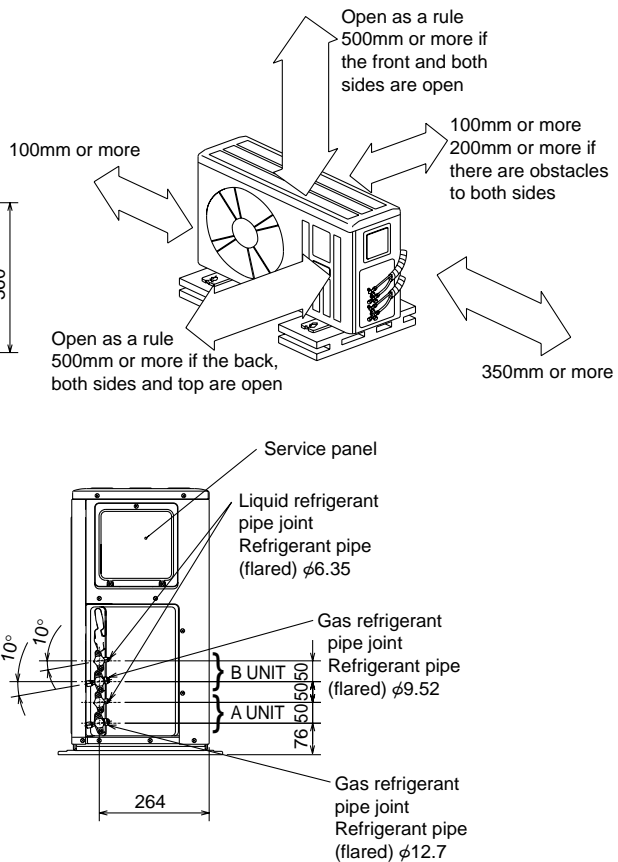
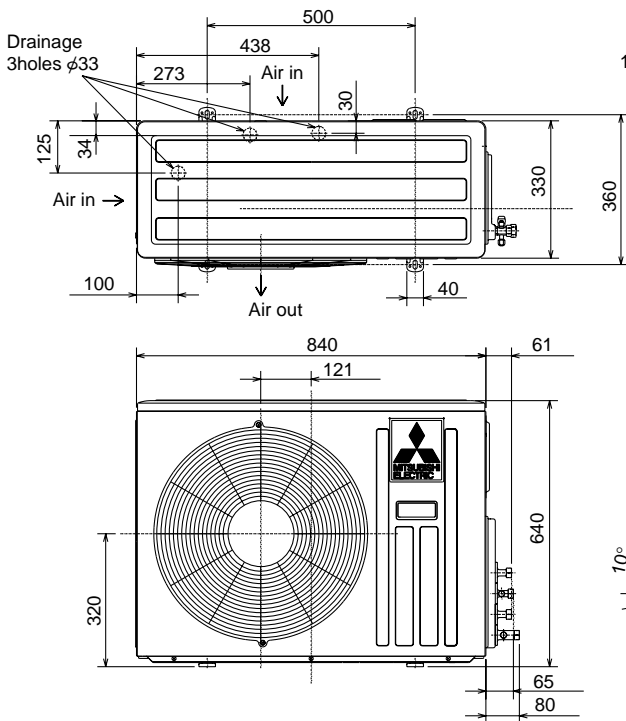
# OUTDOOR UNIT

Unit: mm

## MUX-A10WV-E1



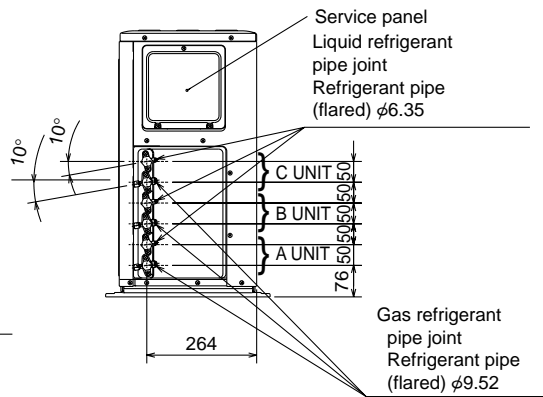
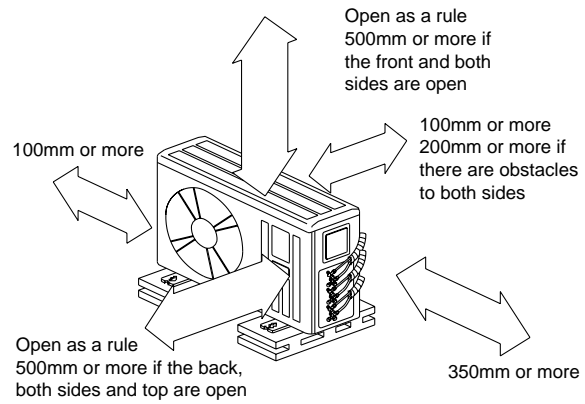
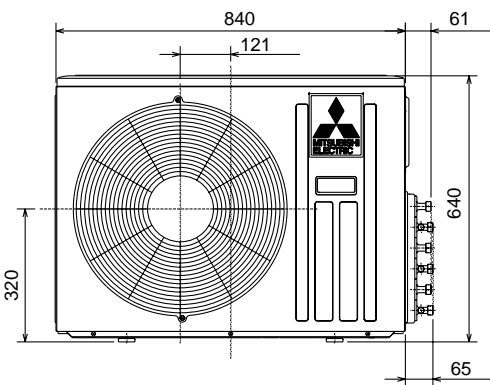
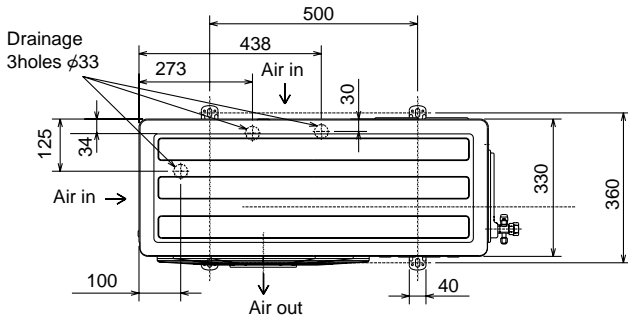
## MUX-A19WV-E1



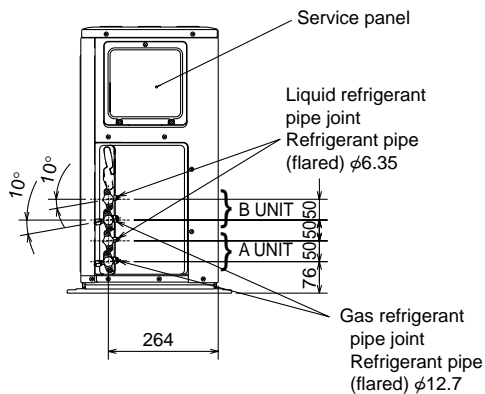
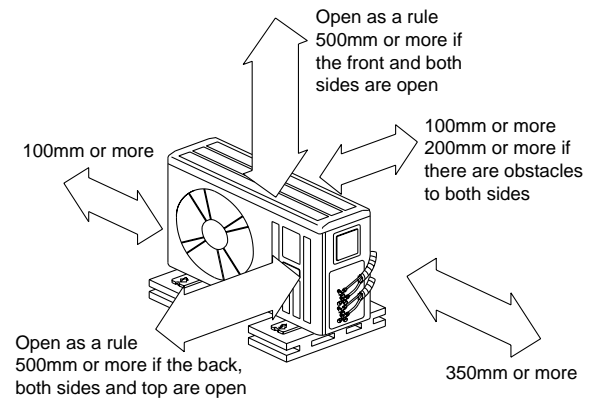
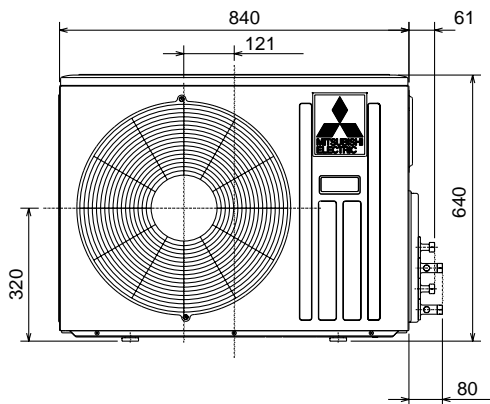
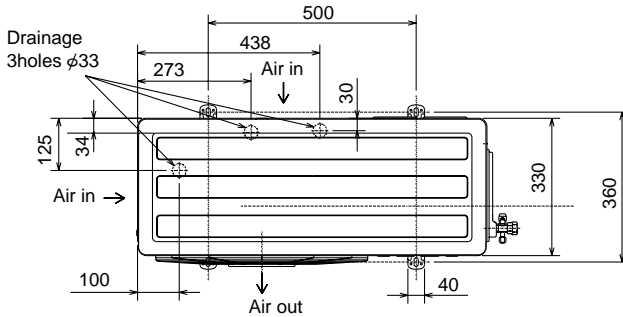
# OUTDOOR UNIT

## MUX-A20WV-E1

Unit: mm



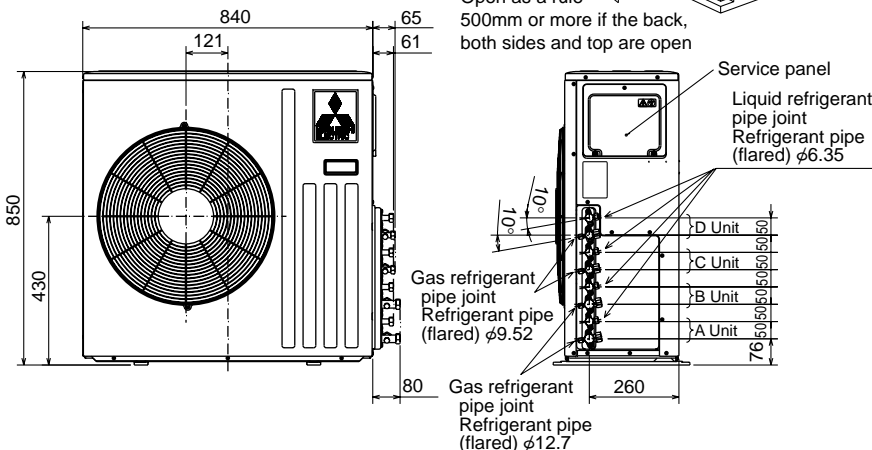
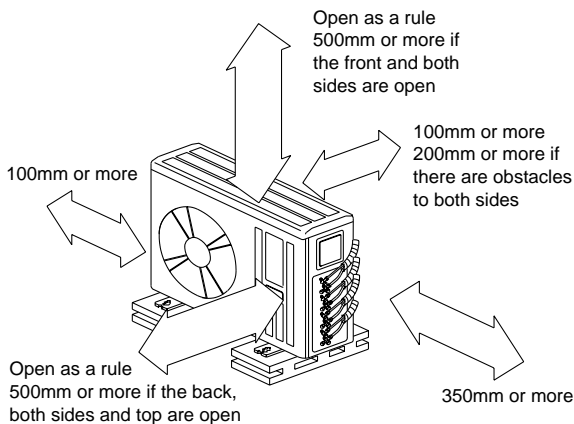
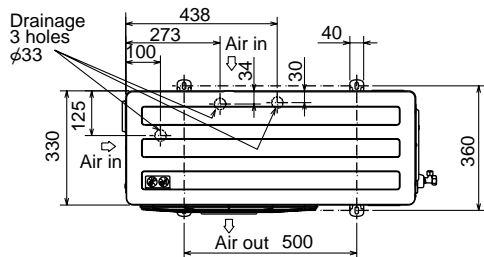
## MUX-A25WV-E1



# OUTDOOR UNIT

MUX-A26WV-E1

Unit: mm

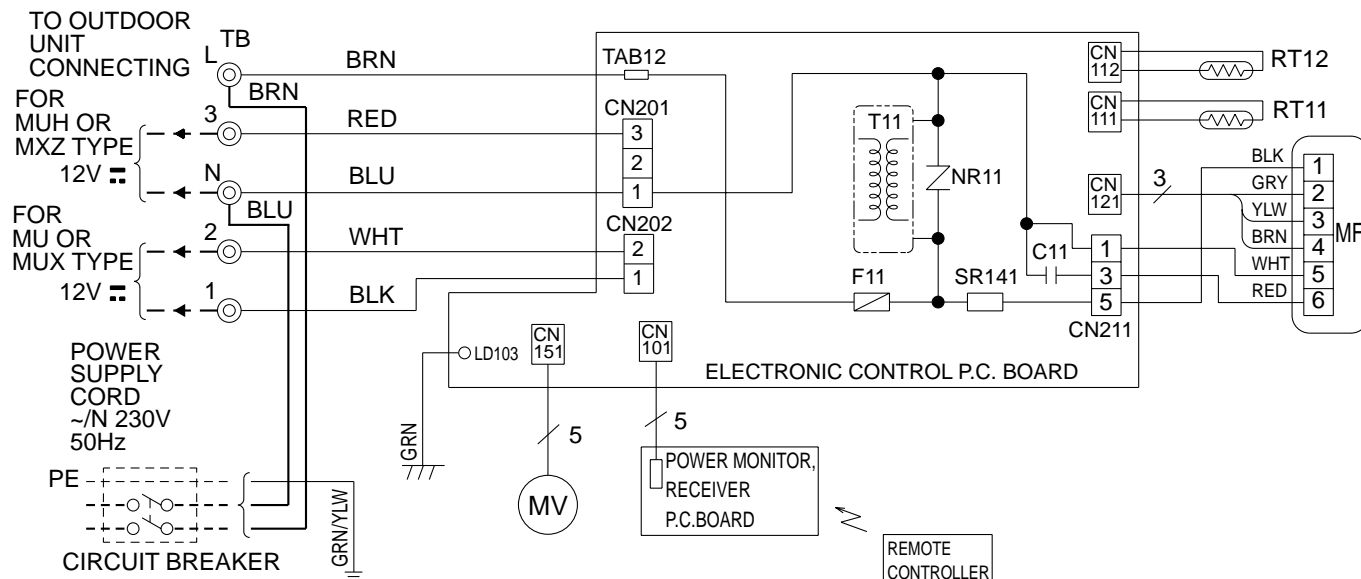


# 7 WIRING DIAGRAM

MSC-A07WV -E1 MSC-A09WV -E1 MSC-A12WV -E1

## INDOOR UNIT

## MODELS WIRING DIAGRAM



SYMBOL	NAME	SYMBOL	NAME	SYMBOL	NAME
C11	INDOOR FAN CAPACITOR	NR11	VARISTOR	TB	TERMINAL BLOCK
F11	FUSE(3.15A)	RT11	ROOM TEMPERATURE THERMISTOR	T11	TRANSFORMER
MF	INDOOR FAN MOTOR (INNER FUSE)	RT12	INDOOR COIL THERMISTOR		
MV	VANE MOTOR	SR141	SOLID STATE RELAY		

NOTE:1. About the outdoor side electric wiring refer to the outdoor unit electric wiring diagram for servicing.  
 2. Use copper conductors only. (For field wiring)  
 3. Symbols below indicate.  
 ○: Terminal block, □□□□: Connector

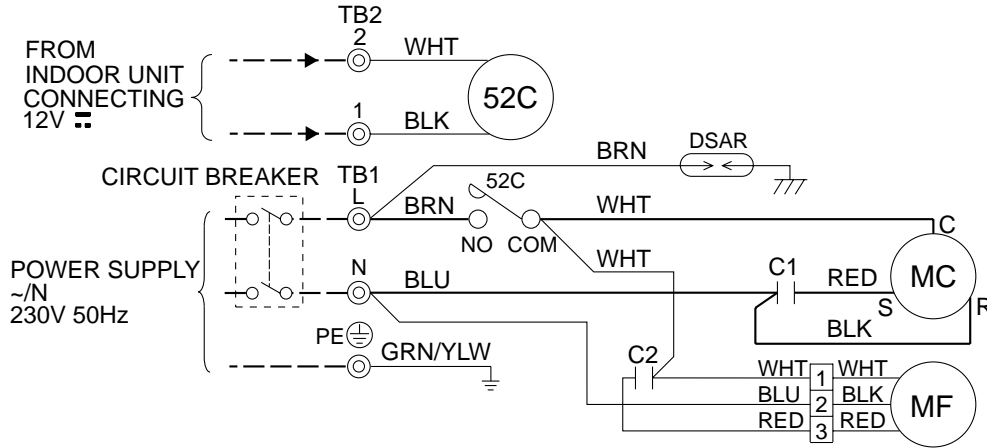
MU-A07WV -E1

MU-A09WV -E1

MU-A12WV -E1

MODELS WIRING DIAGRAM

OUTDOOR UNIT



SYMBOL	NAME	SYMBOL	NAME	SYMBOL	NAME
C1	COMPRESSOR CAPACITOR	MC	COMPRESSOR(INNER PROTECTOR)	52C	COMPRESSOR CONTACTOR
C2	OUTDOOR FAN CAPACITOR	MF	OUTDOOR FAN MOTOR(INNER FUSE)		
DSAR	SURGE ABSORBER	TB1,TB2	TERMINAL BLOCK		

NOTE:1. About the indoor side electric wiring refer to the indoor unit electric wiring diagram for servicing.  
 2. Use copper conductors only. (For field wiring)  
 3. Symbols below indicate.  
 ○: Terminal block, □□□□: Connector

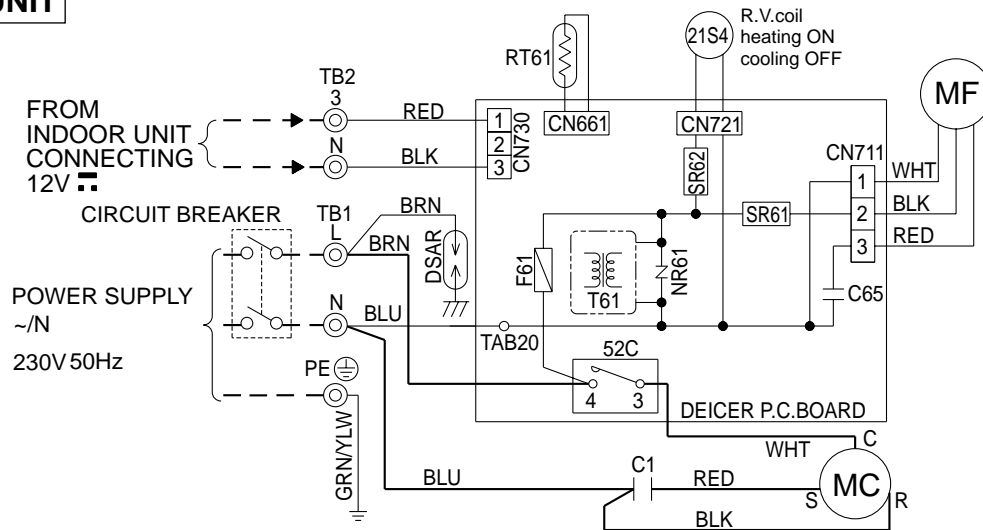
MUH-A07WV -E1

MUH-A09WV -E1

MUH-A12WV -E1

MODELS WIRING DIAGRAM

OUTDOOR UNIT



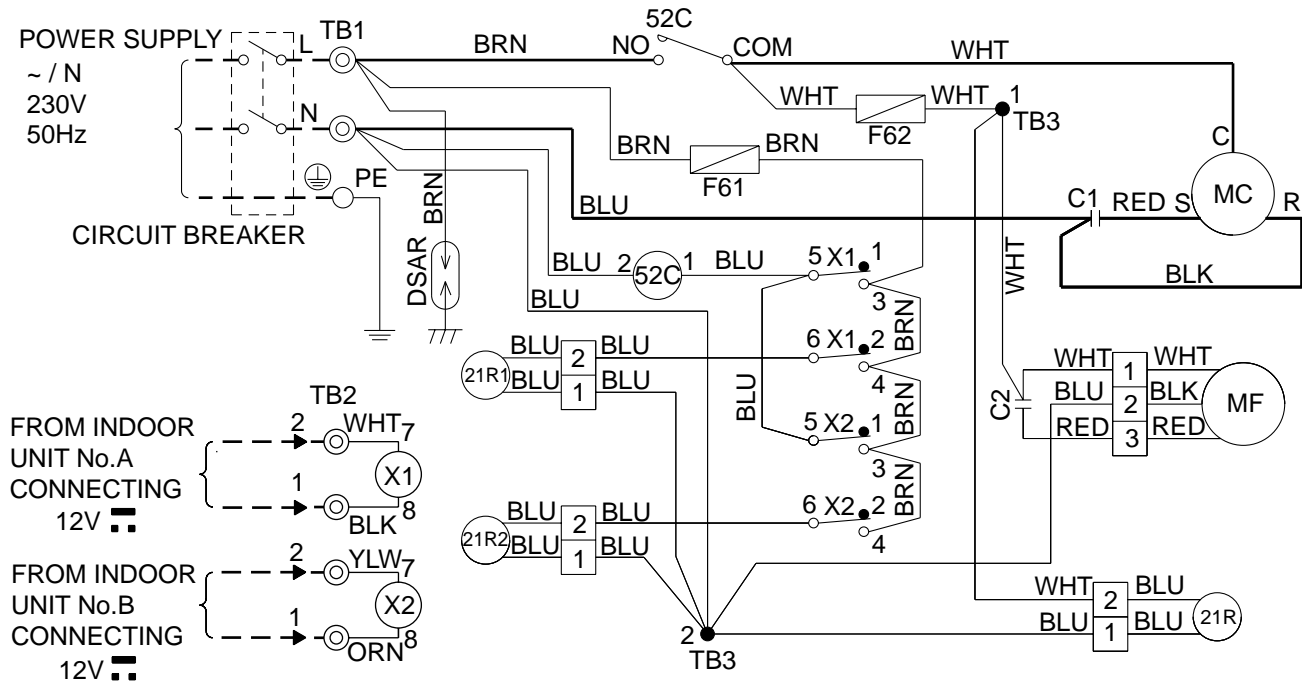
SYMBOL	NAME	SYMBOL	NAME	SYMBOL	NAME
C1	COMPRESSOR CAPACITOR	MF	OUTDOOR FAN MOTOR(INNER FUSE)	TB1,TB2	TERMINAL BLOCK
C65	OUTDOOR FAN CAPACITOR	NR61	VARIATOR	21S4	R.V. COIL
DSAR	SURGE ABSORBER	RT61	DEFROST THERMISTOR	52C	COMPRESSOR CONTACTOR
F61	FUSE(2A)	SR61,SR62	SOLID STATE RELAY		
MC	COMPRESSOR(INNER PROTECTOR)	T61	TRANSFORMER		

NOTE:1. About the indoor side electric wiring refer to the indoor unit electric wiring diagram for servicing.  
 2. Use copper conductors only. (For field wiring)  
 3. Symbols below indicate.  
 ○: Terminal block, □□□□: Connector

**MUX-A10WV -E1**

**OUTDOOR UNIT**

**MODEL WIRING DIAGRAM**



SYMBOL	NAME	SYMBOL	NAME	SYMBOL	NAME
C1	COMPRESSOR CAPACITOR	MF	OUTDOOR FAN MOTOR(INNER FUSE)	21R1	SOLENOID COIL(A)
C2	OUTDOOR FAN CAPACITOR	TB1,TB2,TB3	TERMINAL BLOCK	21R2	SOLENOID COIL(B)
DSAR	SURGE ABSORBER	X1	RELAY(A)	52C	COMPRESSOR CONTACTOR
F61,F62	FUSE(2A)	X2	RELAY(B)		
MC	COMPRESSOR(INNER PROTECTOR)	21R	SOLENOID COIL		

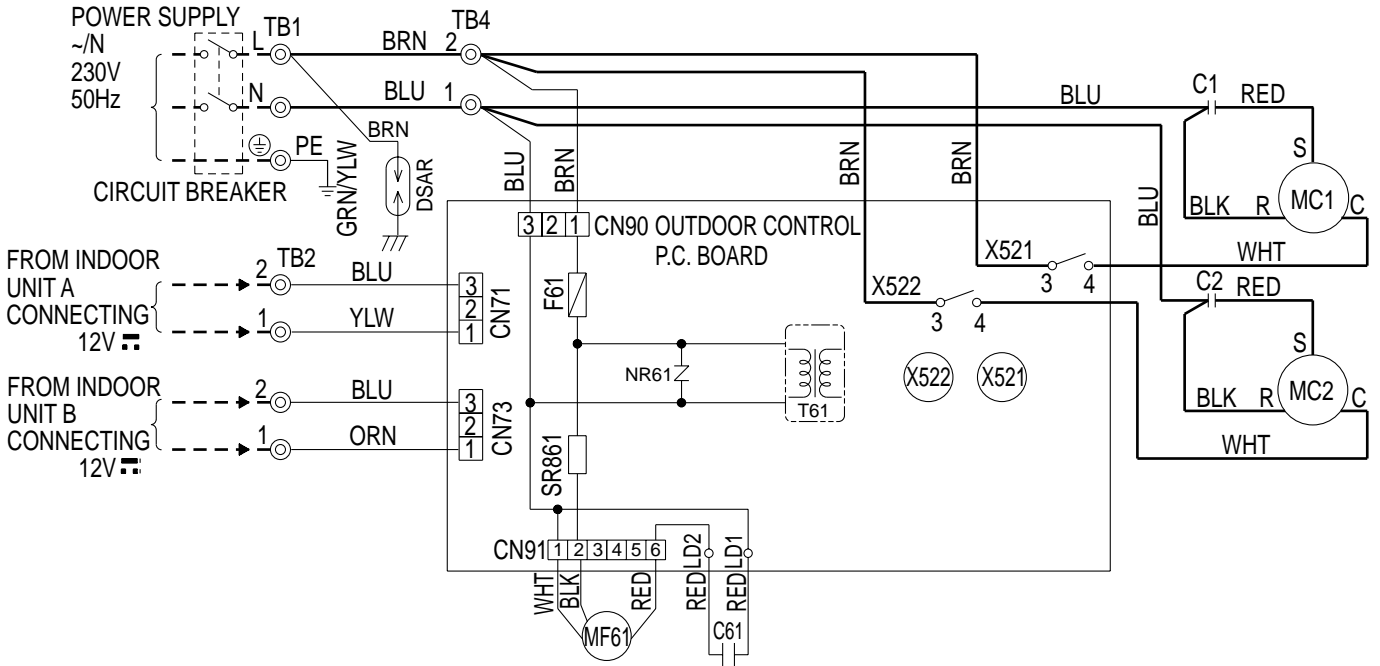
NOTE:1. About the indoor side electric wiring refer to the indoor unit electric wiring diagram for servicing.  
 2. Use copper conductors only. (For field wiring)  
 3. Symbols below indicate.  
 ©: Terminal block, □□□□: Connector



**MUX-A19WV -[E1]**  
**MUX-A25WV -[E1]**

**MODELS WIRING DIAGRAM**

**OUTDOOR UNIT**



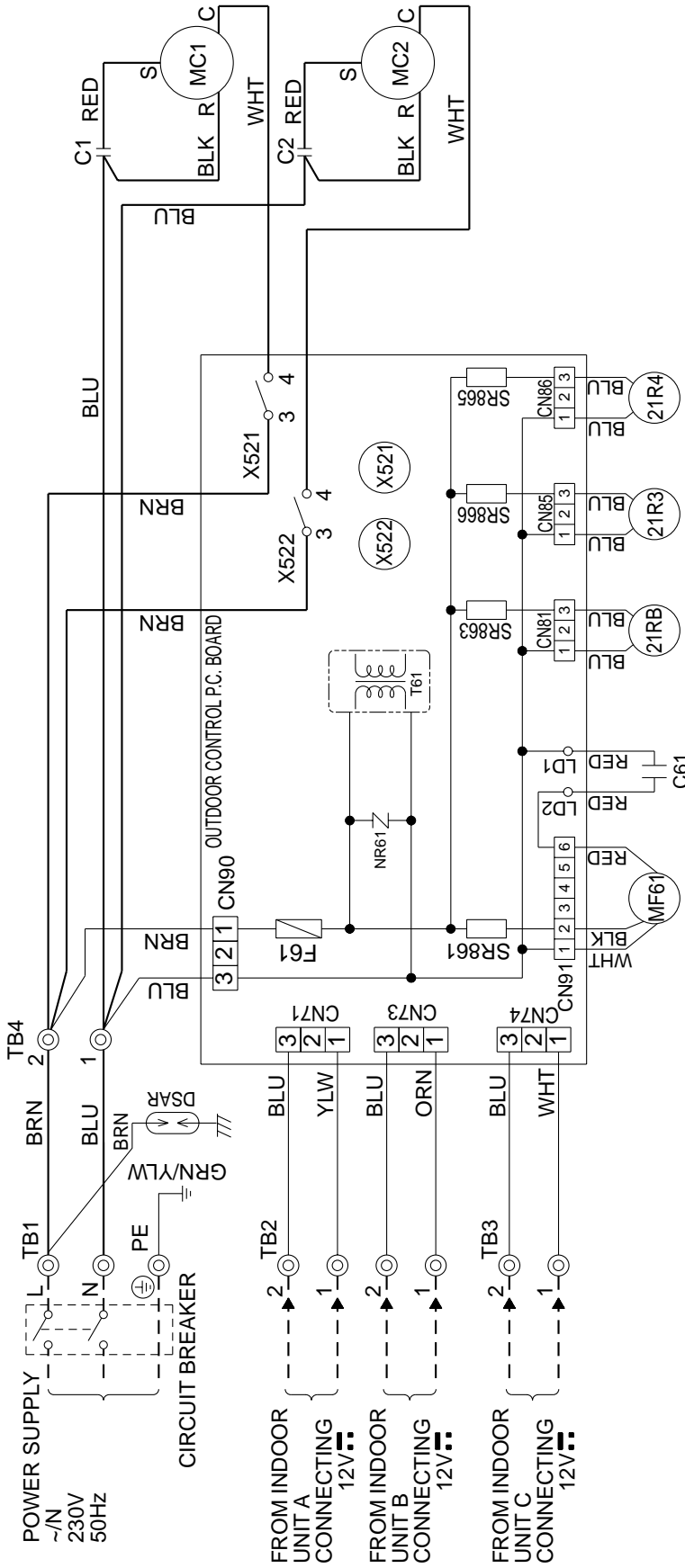
SYMBOL	NAME	SYMBOL	NAME	SYMBOL	NAME
C1	COMPRESSOR CAPACITOR(MC1)	MC1	COMPRESSOR(INNER PROTECTOR)	TB1	TERMINAL BLOCK
C2	COMPRESSOR CAPACITOR(MC2)	MC2	COMPRESSOR(INNER PROTECTOR)	TB2~TB4	TERMINAL BLOCK
C61	OUTDOOR FAN CAPACITOR	MF61	OUTDOOR FAN MOTOR (INNER PROTECTOR)	T61	TRANSFORMER
DSAR	SURGE ABSORBER	NR61	SURGE ABSORBER	X521	COMPRESSOR CONTACTOR(MC1)
F61	FUSE(3.15A)	SR861	OUTDOOR FAN RELAY	X522	COMPRESSOR CONTACTOR(MC2)

NOTE:1. About the indoor side electric wiring refer to the indoor unit electric wiring diagram for servicing.  
 2. Use copper conductors only. (For field wiring)  
 3. Symbols below indicate.  
 ◎: Terminal block, □□□□: Connector

**MUX-A20WV -E1**

**OUTDOOR UNIT**

**MODEL WIRING DIAGRAM**

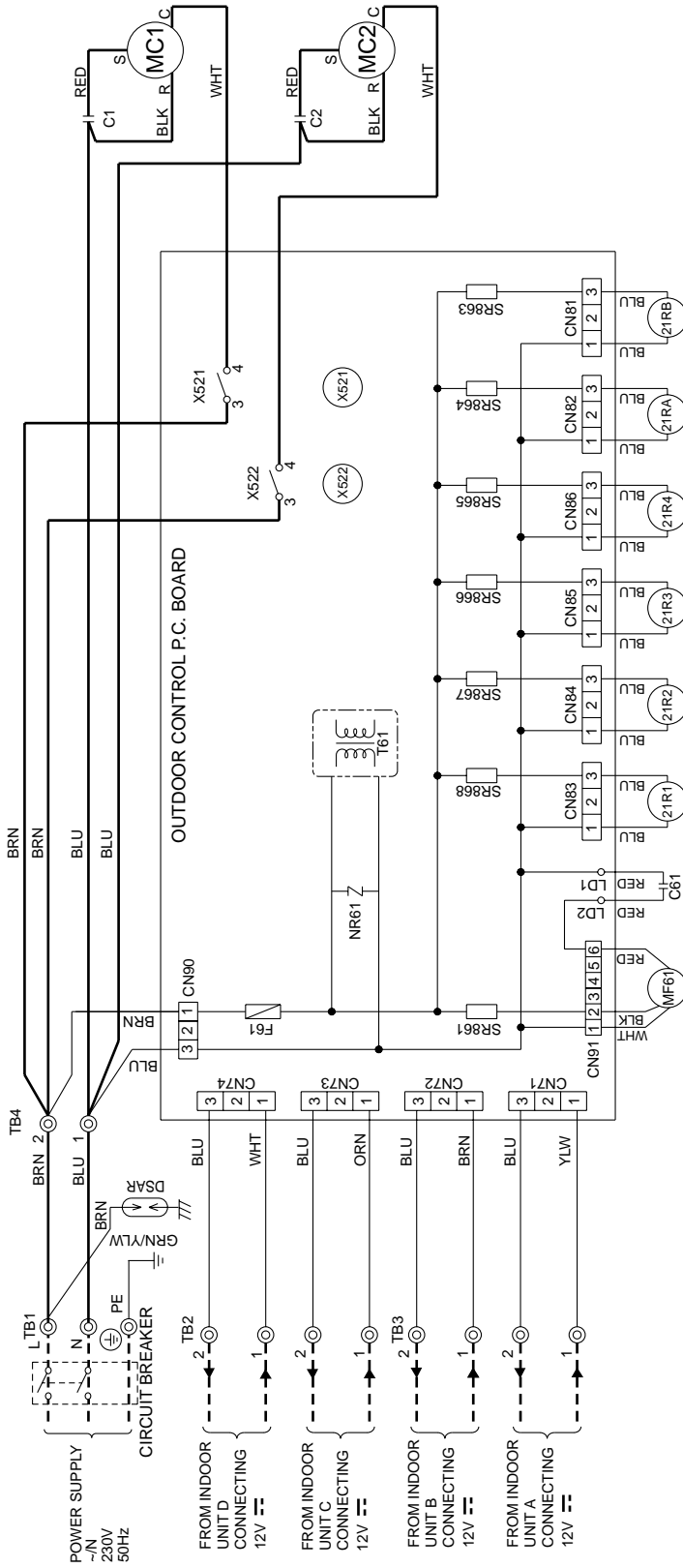


SYMBOL	NAME	SYMBOL	NAME	SYMBOL	NAME
C1	COMPRESSOR CAPACITOR(MC1)	MF61	OUTDOOR FAN MOTOR(INNER PROTECTOR)	TB2~TB4	TERMINAL BLOCK
C2	COMPRESSOR CAPACITOR(MC2)	NR61	SURGE ABSORBER	T61	TRANSFORMER
C61	OUTDOOR FAN CAPACITOR	SR861	OUTDOOR FAN RELAY	X521	COMPRESSOR CONTACTOR(MC1)
DSAR	SURGE ABSORBER	SR863	RELAY (21RB)	X522	COMPRESSOR CONTACTOR(MC2)
F61	FUSE(3.15A)	SR865	RELAY (C) (21R4)	21RB	SOLENOID COIL
MC1	COMPRESSOR(INNER PROTECTOR)	SR866	RELAY (B) (21R3)	21R3	SOLENOID COIL (B)
MC2	COMPRESSOR(INNER PROTECTOR)	TB1	TERMINAL BLOCK	21R4	SOLENOID COIL (C)

- NOTE: 1. About the indoor side electric wiring refer to the indoor unit electric wiring diagram for servicing.  
 2. Use copper conductors only. (For field wiring)  
 3. Symbols below indicate.  
 ○: Terminal block, □□□□: Connector

**OUTDOOR UNIT**

**MODEL WIRING DIAGRAM**



SYMBOL	NAME	SYMBOL	NAME	SYMBOL	NAME
C1	COMPRESSOR CAPACITOR(MC1)	SR861	OUTDOOR FAN RELAY	X521	COMPRESSOR CONTACTOR(MC1)
C2	COMPRESSOR CAPACITOR(MC2)	SR863	RELAY (21RB)	X522	COMPRESSOR CONTACTOR(MC2)
C61	OUTDOOR FAN CAPACITOR	SR864	RELAY (21RA)	21RA	SOLENOID COIL (BALANCE)
DSAR	SURGE ABSORBER	SR865	RELAY (D) (21R4)	21RB	SOLENOID COIL (BALANCE)
F61	FUSE(3.15A)	SR866	RELAY (C) (21R3)	21R1	SOLENOID COIL (A)
MC1	COMPRESSOR(INNER PROTECTOR)	SR867	RELAY (B) (21R2)	21R2	SOLENOID COIL (B)
MC2	COMPRESSOR(INNER PROTECTOR)	SR868	RELAY (A) (21R1)	21R3	SOLENOID COIL (C)
MF61	OUTDOOR FAN MOTOR(INNER PROTECTOR)	TB1-TB4	TERMINAL BLOCK	21R4	SOLENOID COIL (D)
NR61	SURGE ABSORBER	T61	TRANSFORMER		

NOTE:1. About the indoor side electric wiring refer to the indoor unit electric wiring diagram for servicing.

2. Use copper conductors only. (For field wiring)

3. Symbols below indicate.

⊙ : Terminal block, □ : Connector

Unit:mm

MSC-A07WV -[E1]

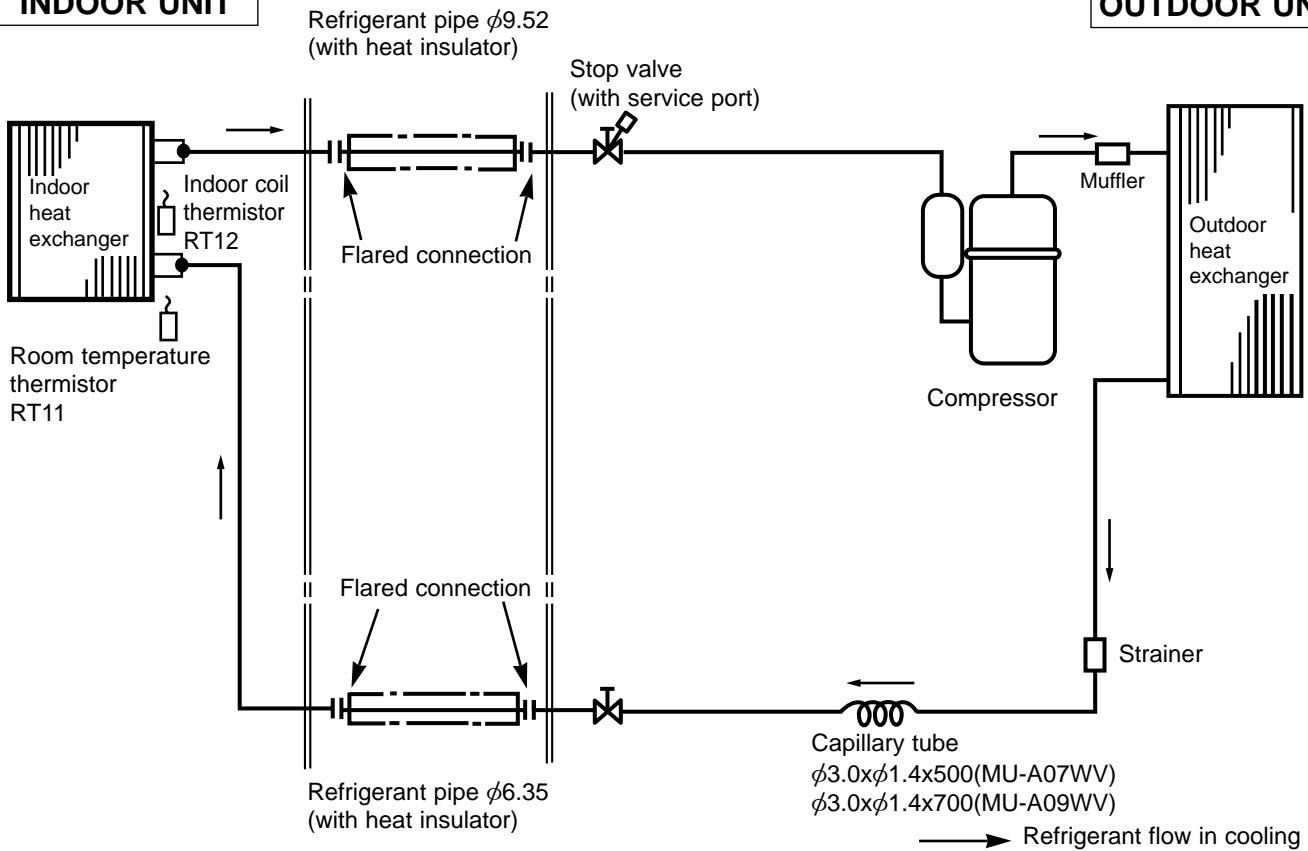
MSC-A09WV -[E1]

MU-A07WV -[E1]

MU-A09WV -[E1]

INDOOR UNIT

OUTDOOR UNIT



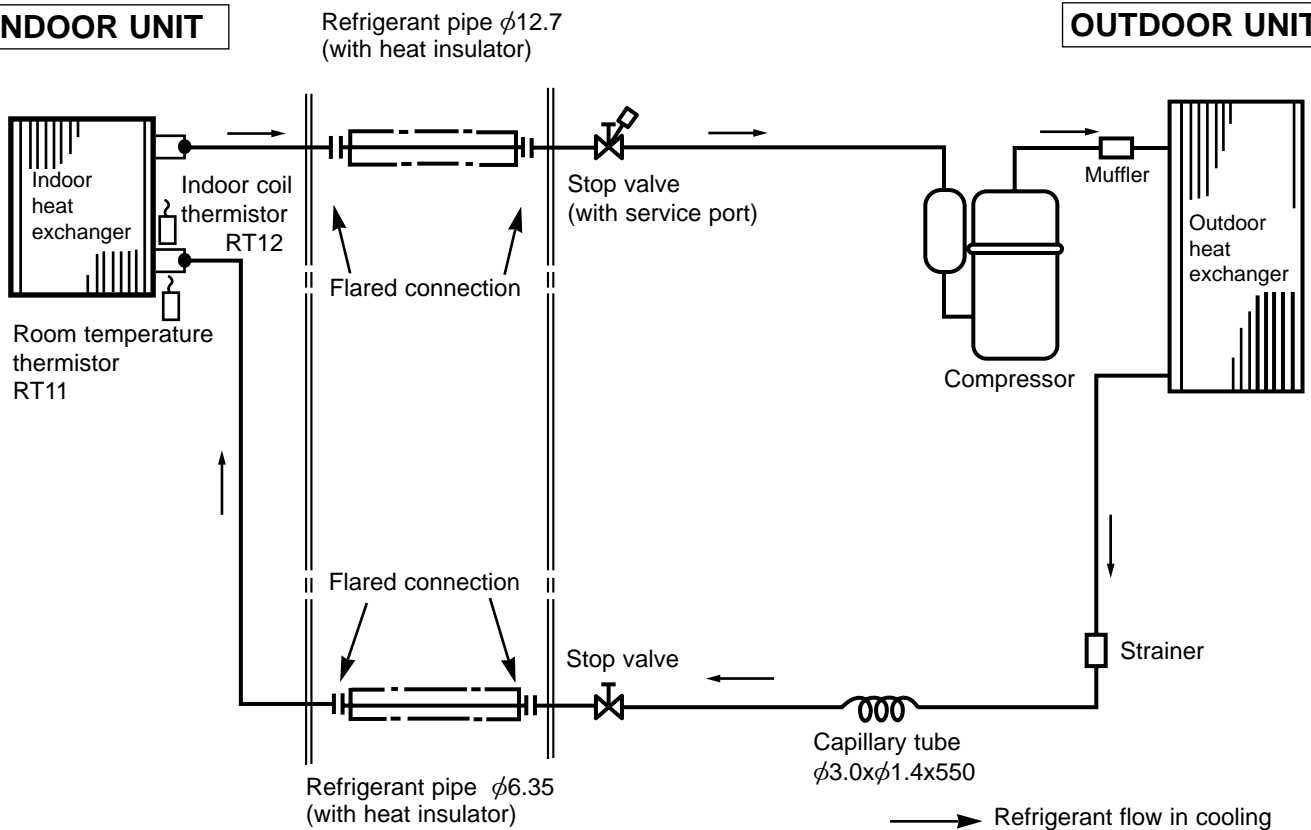
Unit:mm

MSC-A12WV -[E1]

INDOOR UNIT

MU-A12WV -[E1]

OUTDOOR UNIT



MSC-A07WV -[E1]

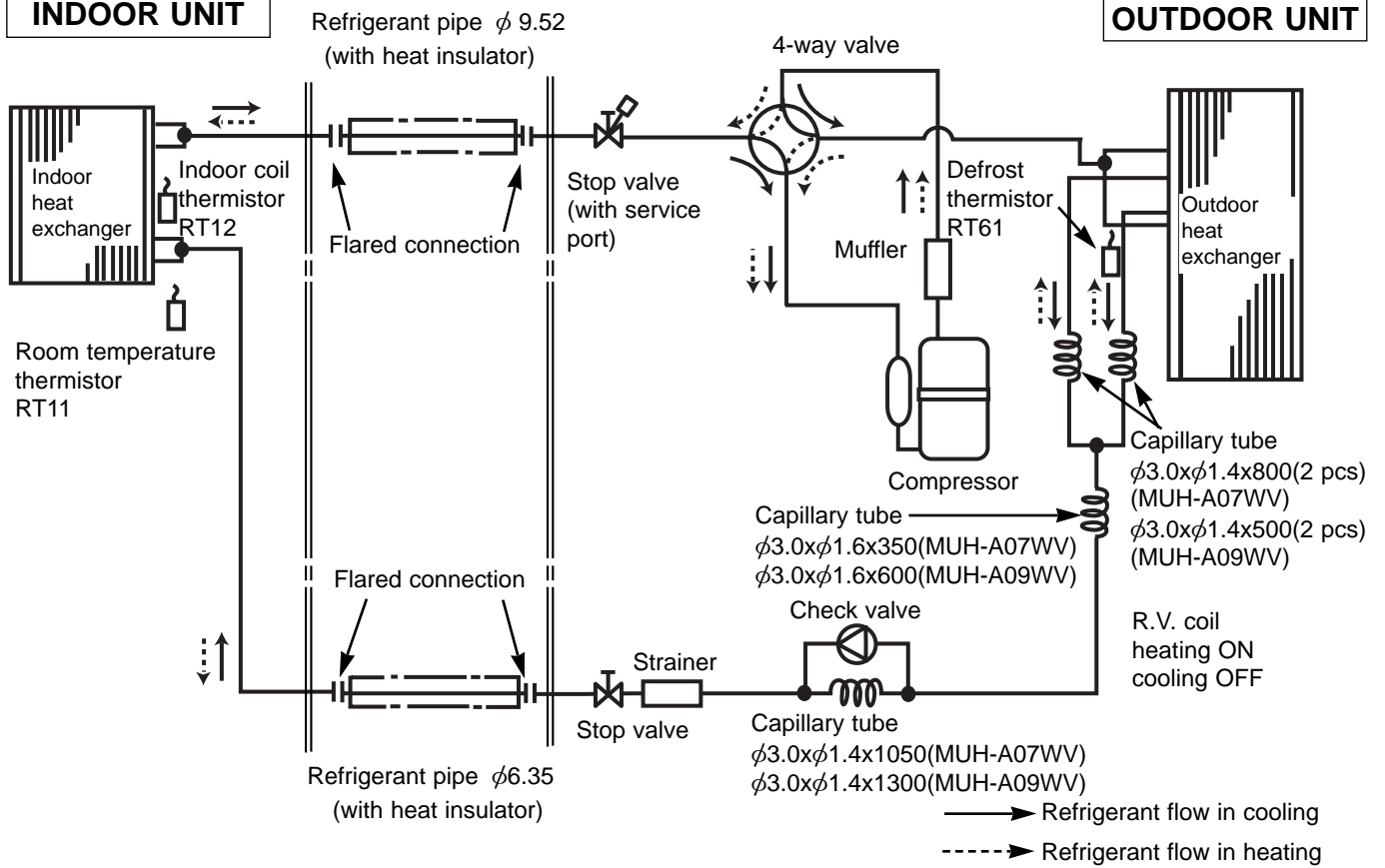
MSC-A09WV -[E1]

INDOOR UNIT

Unit:mm  
MUH-A07WV -[E1]

MUH-A09WV -[E1]

OUTDOOR UNIT

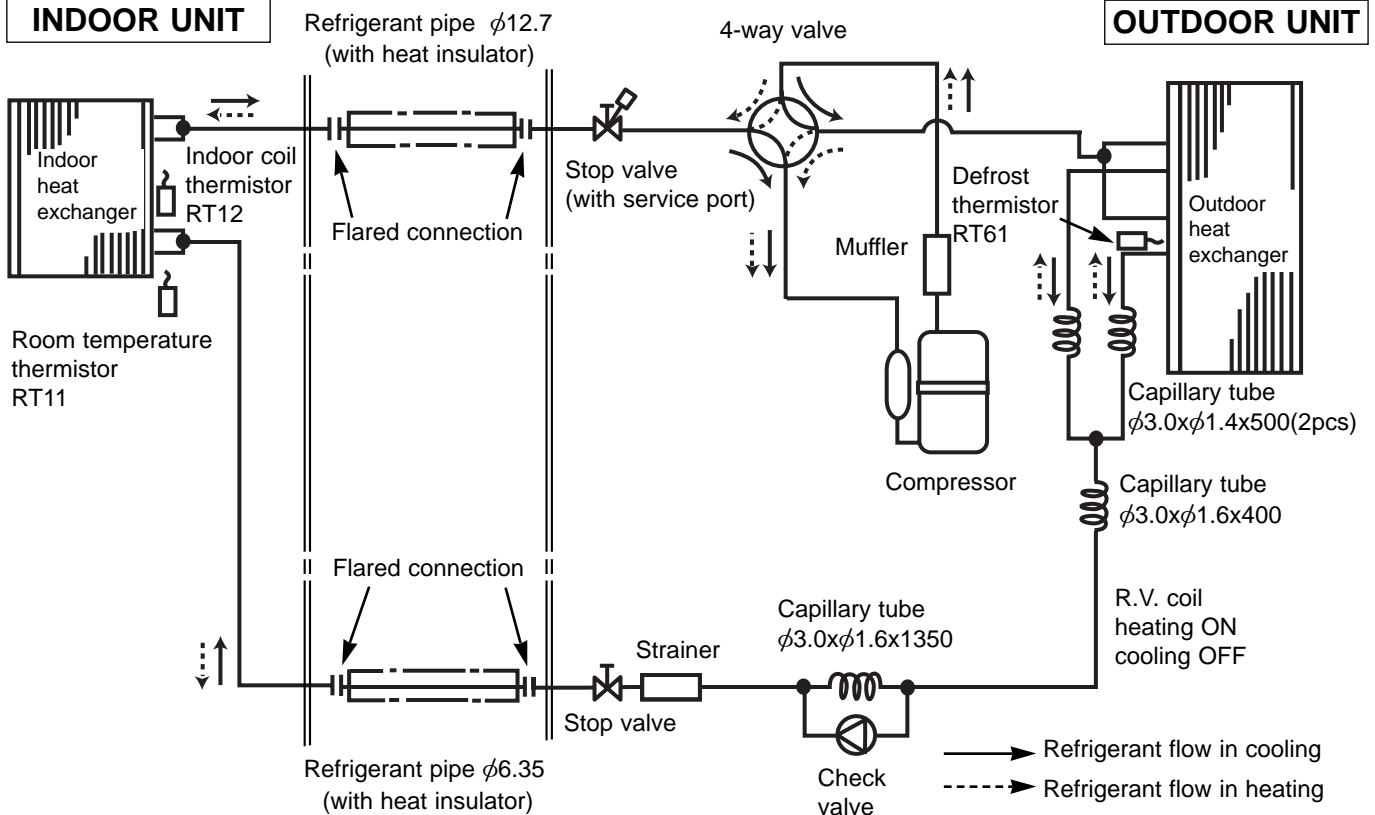


MSC-A12WV -[E1]

INDOOR UNIT

Unit:mm  
MUH-A12WV -[E1]

OUTDOOR UNIT



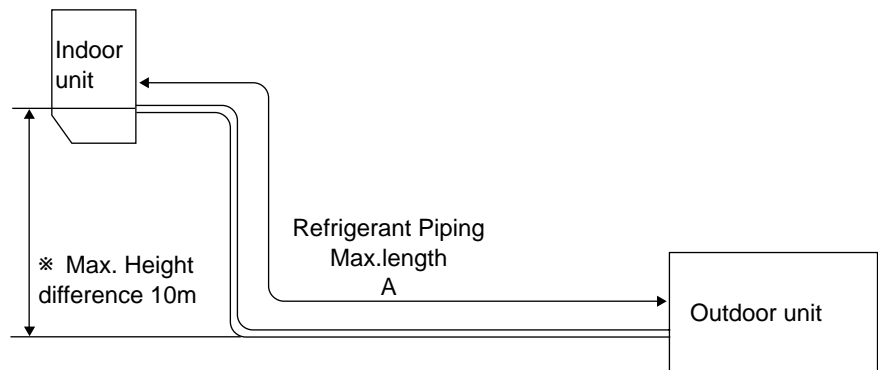
## MAX. REFRIGERANT PIPING LENGTH

Model	Refrigerant piping Max. length : m A	Piping size O.D : mm		Length of connecting pipe : m	
		Gas	Liquid	Indoor unit	Outdoor unit
{ MSC-A07WV - E1 MU-A07WV - E1	20	9.52	6.35	Gas 0.43	Gas 0
{ MSC-A09WV - E1 MU-A09WV - E1				Liquid 0.5	Liquid 0
{ MSC-A12WV - E1 MU-A12WV - E1	25	12.7			

Model	Refrigerant piping Max. length : m A	Piping size O.D : mm		Length of connecting pipe : m	
		Gas	Liquid	Indoor unit	Outdoor unit
{ MSC-A07WV - E1 MUH-A07WV - E1	20	9.52	6.35	Gas 0.43	Gas 0
{ MSC-A09WV - E1 MUH-A09WV - E1				Liquid 0.5	Liquid 0
{ MSC-A12WV - E1 MUH-A12WV - E1	25	12.7			

## MAX. HEIGHT DIFFERENCE

Height difference should be within 10m regardless of which unit, indoor or outdoor position is high.



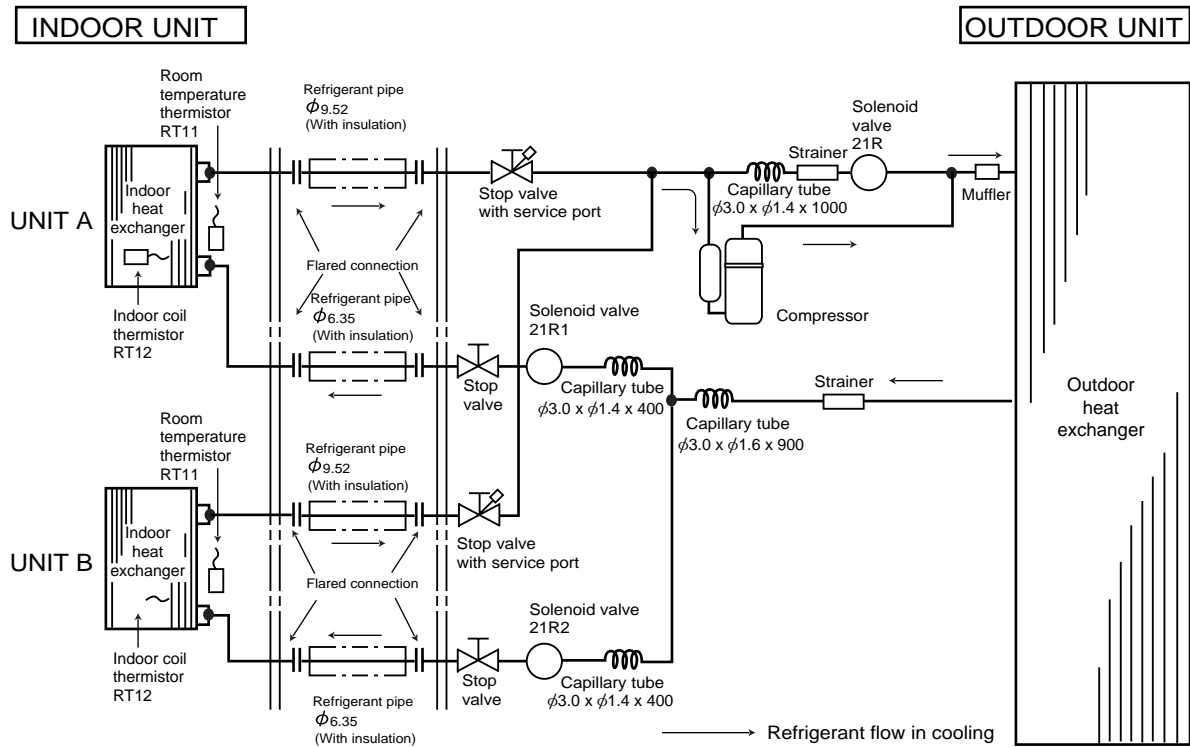
## ADDITIONAL REFRIGERANT CHARGE(R410A : g)

Model	Outdoor unit precharged	Refrigerant piping length (one way)				
		7m	10m	15m	20m	25m
{ MSC-A07WV - E1 MU-A07WV - E1	750	0	60	160	260	360
{ MSC-A09WV - E1 MU-A09WV - E1	800					
{ MSC-A12WV - E1 MU-A12WV - E1	830					

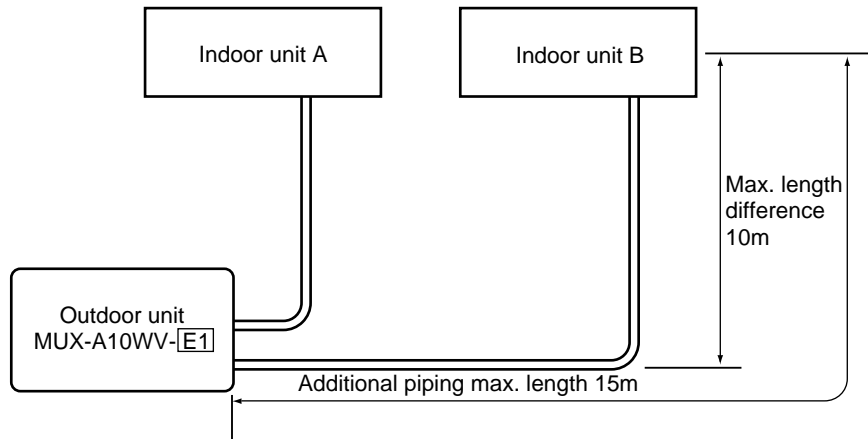
Calculation :  $Xg=20g/m \times (A-7)m$

Model	Outdoor unit precharged	Refrigerant piping length (one way)				
		7m	10m	15m	20m	25m
{ MSC-A07WV - E1 MUH-A07WV - E1	750	0	60	160	260	360
{ MSC-A09WV - E1 MUH-A09WV - E1	1100					
{ MSC-A12WV - E1 MUH-A12WV - E1	1150					

Calculation :  $Xg=20g/m \ 5 \times (A-7)m$



**MAX. REFRIGERANT PIPING LENGTH & MAX. HEIGHT DIFFERENCE**



**ADDITIONAL REFRIGERANT CHARGE (R410A:g)**

UNIT No.	Outdoor unit precharged	Refrigerant piping length (one way)																				
		10 m	11 m	12 m	13 m	14 m	15 m	16 m	17 m	18 m	19 m	20 m	21 m	22 m	23 m	24 m	25 m	26 m	27 m	28 m	29 m	30 m
A unit + B unit	1000g	0	10	20	30	40	50	60	70	80	90	100	110	120	130	140	150	160	170	180	190	200

**PIPING PREPARATION**

① Table below shows the specifications of pipes commercially available.

UNIT No.	Pipe	Outside diameter	Insulation thickness	Insulation material
		mm		
A and B UNIT	For liquid	6.35	8 mm	Heat resisting foam plastic 0.045 specific gravity
	For gas	9.52		

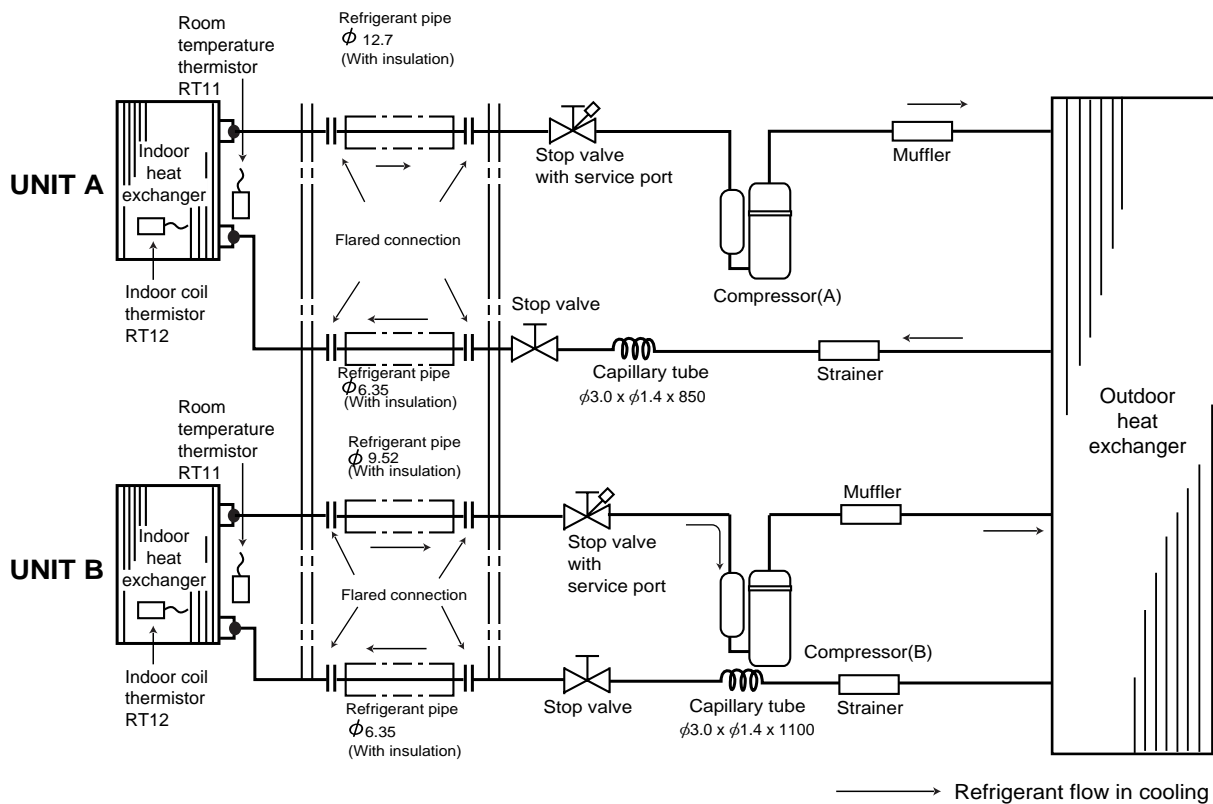
- ② Ensure that the 2 refrigerant pipes are well insulated to prevent condensation.
- ③ Refrigerant bending radius must be 10cm or more.

Unit : mm

MUX-A19WV-E1

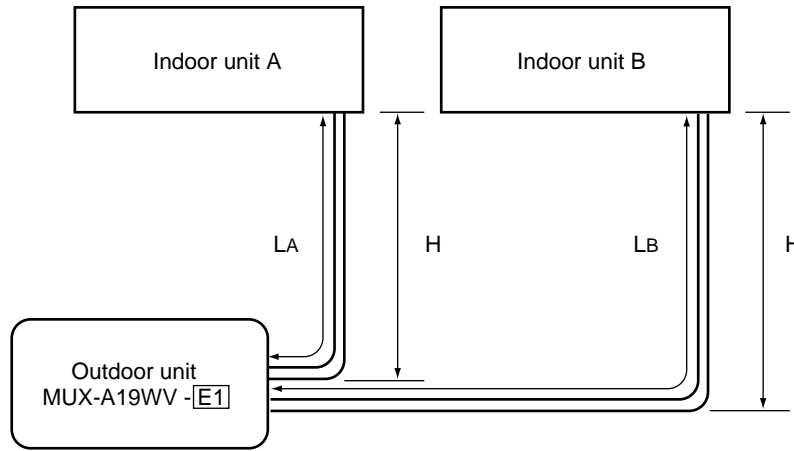
**INDOOR UNIT**

**OUTDOOR UNIT**





**MAX.REFRIGERANT PIPING LENGTH & MAX. HEIGHT DIFFERENCE**



	UNIT No.	Pipe length		Height difference (H)	No. of bends
Max. limits	A	LA	15m	10m	10
	B	LB	15m	10m	10

**ADDITIONAL REFRIGERANT CHARGE (R410A:g)**

A unit	Outdoor unit precharged	Refrigerant piping length (one way)								
		7m	8m	9m	10m	11m	12m	13m	14m	15m
	1000g	0	20	40	60	80	100	120	140	160
B unit	Outdoor unit precharged	Refrigerant piping length (one way,2 unit total)								
		7m	8m	9m	10m	11m	12m	13m	14m	15m
	800g	0	20	40	60	80	100	120	140	160

**PIPING PREPARATION**

①Table below shows the specifications of pipes commercially available.

UNIT No.	Pipe	Outside diameter	Insulation thickness	Insulation material
		mm		
A unit	For liquid	6.35	8mm	Heat resisting foam plastic 0.045 specific gravity
	For gas	12.7		
B unit	For liquid	6.35	8mm	
	For gas	9.52		

②Ensure that the 2 refrigerant pipes are well insulated to prevent condensation.

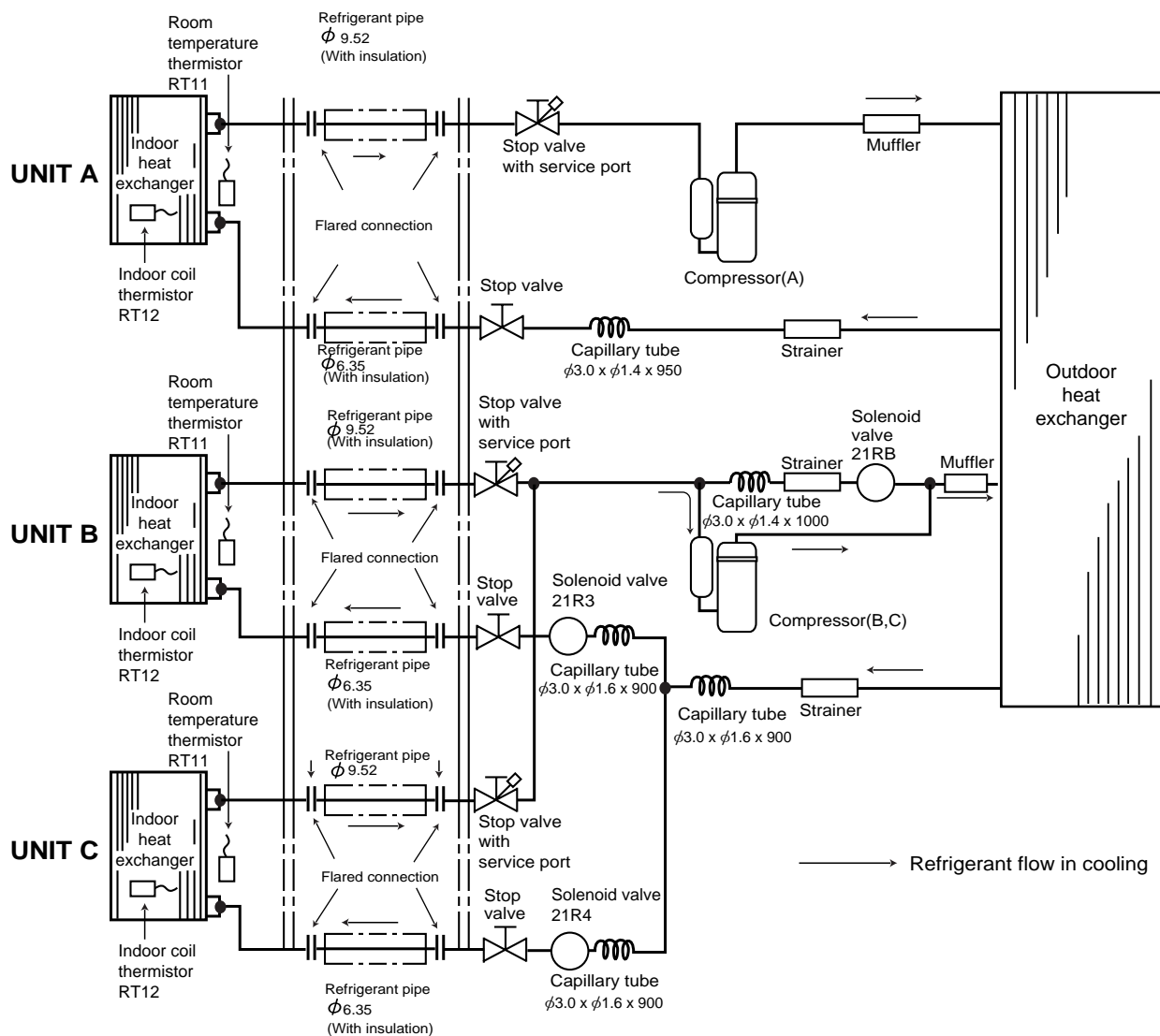
③Refrigerant bending radius must be 10cm or more.

Unit : mm

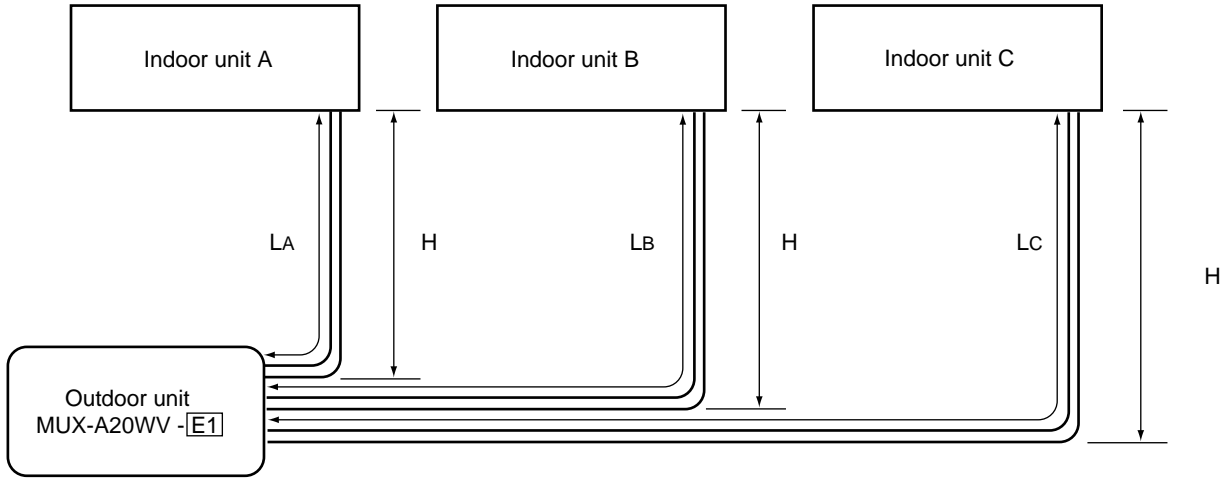
MUX-A20WV-E1

**INDOOR UNIT**

**OUTDOOR UNIT**



## MAX. REFRIGERANT PIPING LENGTH & MAX. HEIGHT DIFFERENCE



	UNIT No.	Pipe length			Height difference (H)	No. of bends	
Max. limits	A	LA	15m		10m	10	
	B	LB	15m	LB + LC	10m	10	Total 15
	C	LC	15m			10	

## ADDITIONAL REFRIGERANT CHARGE (R410A:g)

A unit	Outdoor unit precharged	Refrigerant piping length (one way)																				
		7m	8m	9m	10m	11m	12m	13m	14m	15m												
	800g	0	20	40	50	80	100	120	140	160												
B unit + C unit	Outdoor unit precharged	Refrigerant piping length (one way, 2 unit total)																				
		10m	11m	12m	13m	14m	15m	16m	17m	18m	19m	20m	21m	22m	23m	24m	25m	26m	27m	28m	29m	30m
	1000g	0	10	20	30	40	50	60	70	80	90	100	110	120	130	140	150	160	170	180	190	200

## PIPING PREPARATION

① Table below shows the specifications of pipes commercially available.

UNIT No.	Pipe	Outside diameter	Insulation thickness	Insulation material
		mm		
A, B and C unit	For liquid	6.35	8mm	Heat resisting foam plastic 0.045 specific gravity
	For gas	9.52	8mm	

② Ensure that the 2 refrigerant pipes are well insulated to prevent condensation.

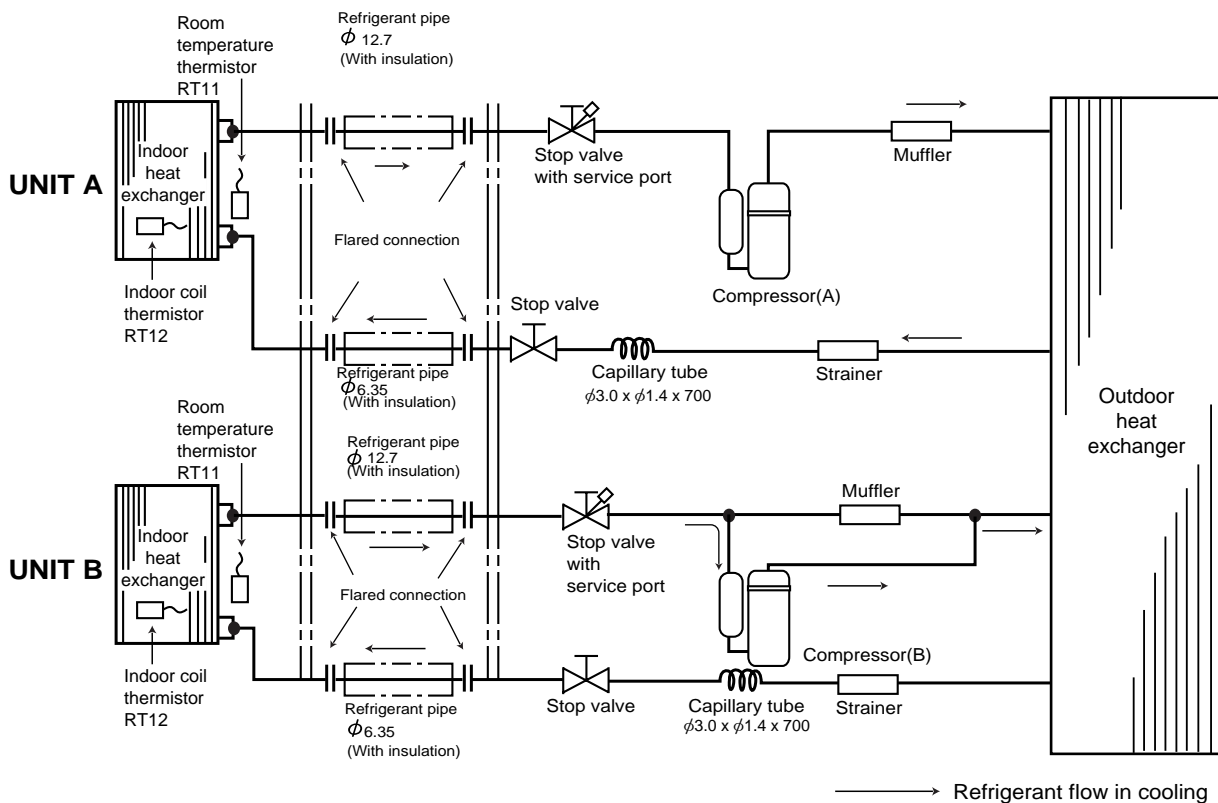
③ Refrigerant bending radius must be 100mm or more.

Unit : mm

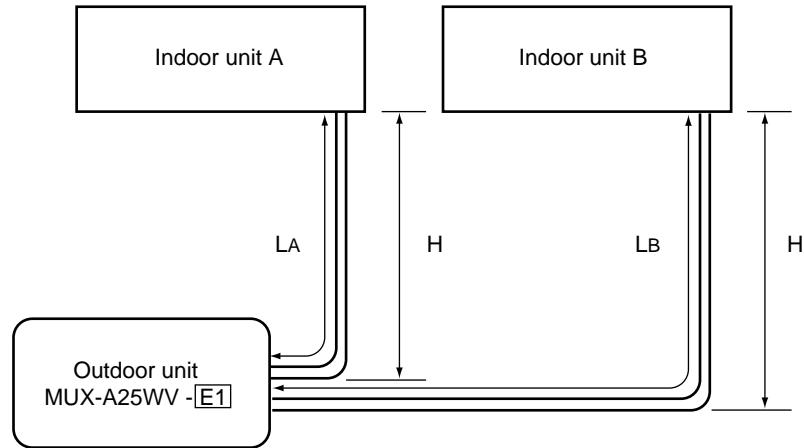
MUX-A25WV-E1

**INDOOR UNIT**

**OUTDOOR UNIT**



## MAX. REFRIGERANT PIPING LENGTH & MAX. HEIGHT DIFFERENCE



	UNIT No.		Pipe length	Height difference (H)	No. of bends
Max. limits	A	LA	15m	10m	10
	B	LB	15m	10m	10

## ADDITIONAL REFRIGERANT CHARGE (R410A:g)

A unit	Outdoor unit precharged	Refrigerant piping length (one way)								
		7m	8m	9m	10m	11m	12m	13m	14m	15m
	950g	0	20	40	60	80	100	120	140	160
B unit	Outdoor unit precharged	Refrigerant piping length (one way)								
		7m	8m	9m	10m	11m	12m	13m	14m	15m
	950g	0	20	40	60	80	100	120	140	160

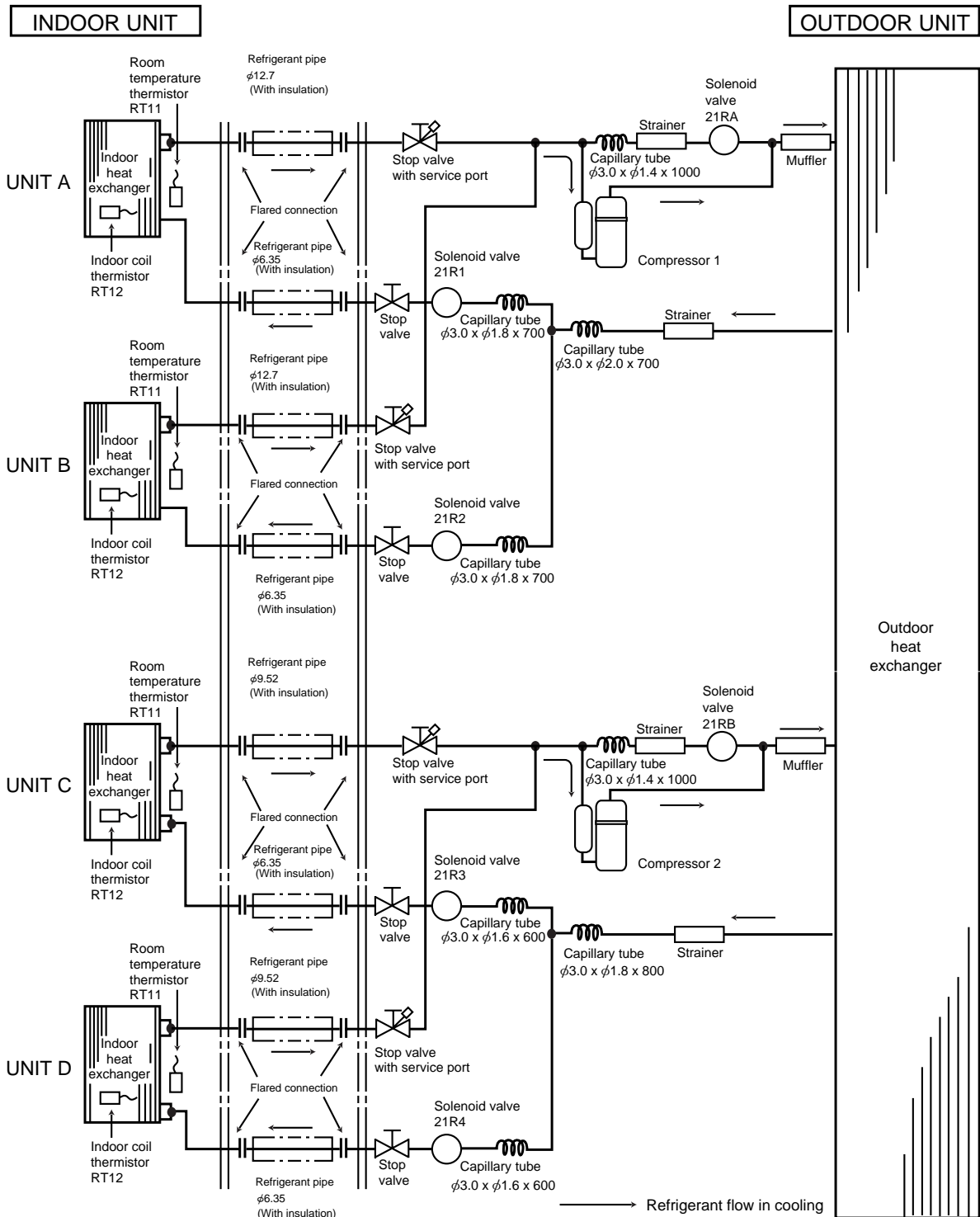
## PIPING PREPARATION

① Table below shows the specifications of pipes commercially available.

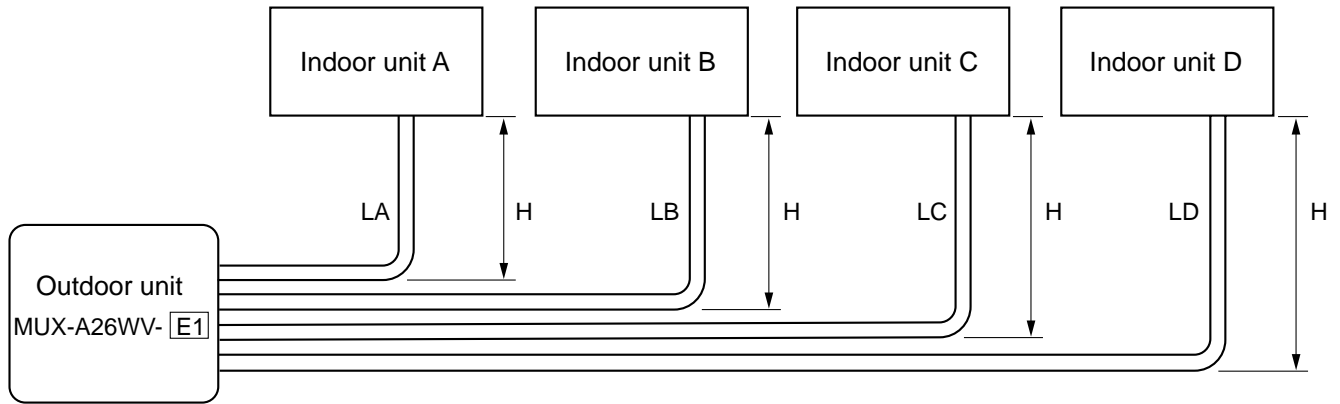
UNIT No.	Pipe	Outside diameter	Insulation thickness	Insulation material
		mm		
A and B unit	For liquid	6.35	8mm	Heat resisting foam plastic 0.045 specific gravity
	For gas	12.7	8mm	

② Ensure that the 2 refrigerant pipes are well insulated to prevent condensation.

③ Refrigerant bending radius must be 10cm or more.



## MAX.REFRIGERANT PIPING LENGTH & MAX. HEIGHT DIFFERENCE



	UNIT No.	Pipe length				Height difference (H)	No. of bends	
Max. limits	A	LA	15m	LA + LB	Total 30m	10m	10	Total 15
	B	LB	15m			10m	10	
	C	LC	15m	LC + LD	Total 30m	10m	10	Total 15
	D	LD	15m			10m	10	

## ADDITIONAL REFRIGERANT CHARGE (R410A:g)

UNIT No.	Outdoor unit precharged	Refrigerant piping length (one way, 2 unit total)																												
		10 m	11 m	12 m	13 m	14 m	15 m	16 m	17 m	18 m	19 m	20 m	21 m	22 m	23 m	24 m	25 m	26 m	27 m	28 m	29 m	30 m								
A unit + B unit	1050g	0	10	20	30	40	50	60	70	80	90	100	110	120	130	140	150	160	170	180	190	200								
C unit + D unit	1050g	0	10	20	30	40	50	60	70	80	90	100	110	120	130	140	150	160	170	180	190	200								

## PIPING PREPARATION

UNIT No.	Pipe	Outside diameter	Insulation thickness	Insulation material
		mm		
A and B unit	For liquid	6.35	8mm	Heat resisting foam plastic 0.045 specific gravity
	For gas	12.7	8mm	
C and D unit	For liquid	6.35	8mm	
	For gas	9.52	8mm	

<b>MSC-A07WV</b> -[E1]	<b>MSC-A07YV</b> -[E1]	<b>MU-A07WV</b> -[E1]	<b>MUH-A07WV</b> -[E1]	<b>MUX-A10WV</b> -[E1]
<b>MSC-A09WV</b> -[E1]	<b>MSC-A09YV</b> -[E1]	<b>MU-A09WV</b> -[E1]	<b>MUH-A09WV</b> -[E1]	<b>MUX-A19WV</b> -[E1]
<b>MSC-A12WV</b> -[E1]	<b>MSC-A12YV</b> -[E1]	<b>MU-A12WV</b> -[E1]	<b>MUH-A12WV</b> -[E1]	<b>MUX-A20WV</b> -[E1]
				<b>MUX-A25WV</b> -[E1]
				<b>MUX-A26WV</b> -[E1]

The standard data contained in these specifications apply only to the operation of the air conditioner under normal conditions, since operating conditions vary according to the areas where these units are installed. The following information has been provided to clarify the operating characteristics of the air conditioner under the conditions indicated by the performance curve.

### (1) GUARANTEED VOLTAGE

198~264V

### (2) AIR FLOW

Air flow should be set at MAX.

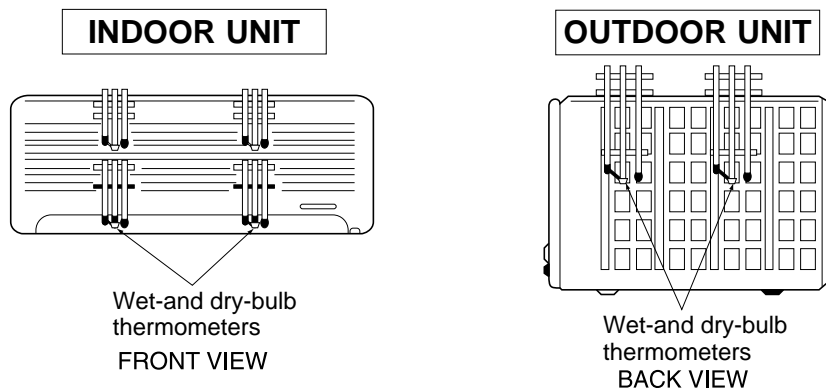
### (3) MAIN READINGS

(1) Indoor intake air wet-bulb temperature :	°CWB	} Cooling
(2) Indoor outlet air wet-bulb temperature :	°CWB	
(3) Outdoor intake air dry-bulb temperature :	°CDB	
(4) Total input:	W	} Heating <MUH-A07/A09/A12WV>
(5) Indoor intake air dry-bulb temperature :	°CDB	
(6) Outdoor intake air wet-bulb temperature :	°CWB	
(7) Total input :	W	

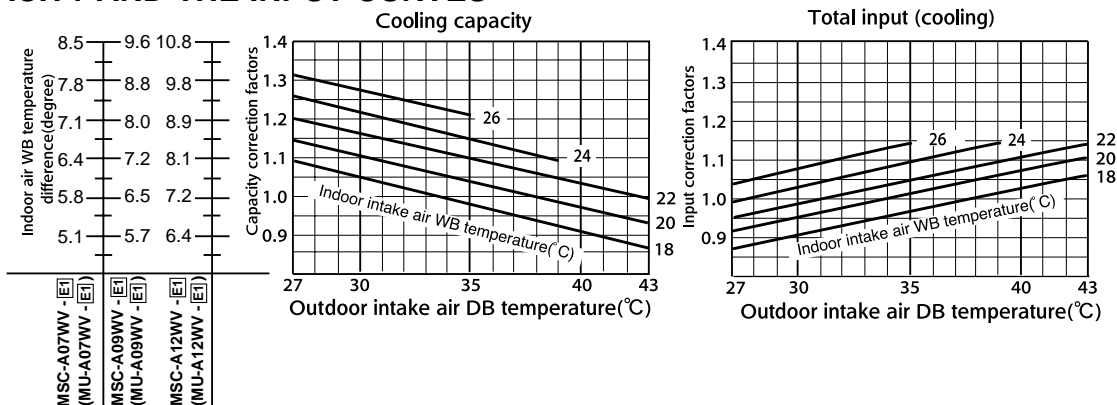
Indoor air wet/dry-bulb temperature difference on the left side of the chart on page 40,41 and 44 shows the difference between the indoor intake air wet/dry-bulb temperature and the indoor outlet air wet/dry-bulb temperature for your reference at service.

### How to measure the indoor air wet-bulb/dry-bulb temperature difference

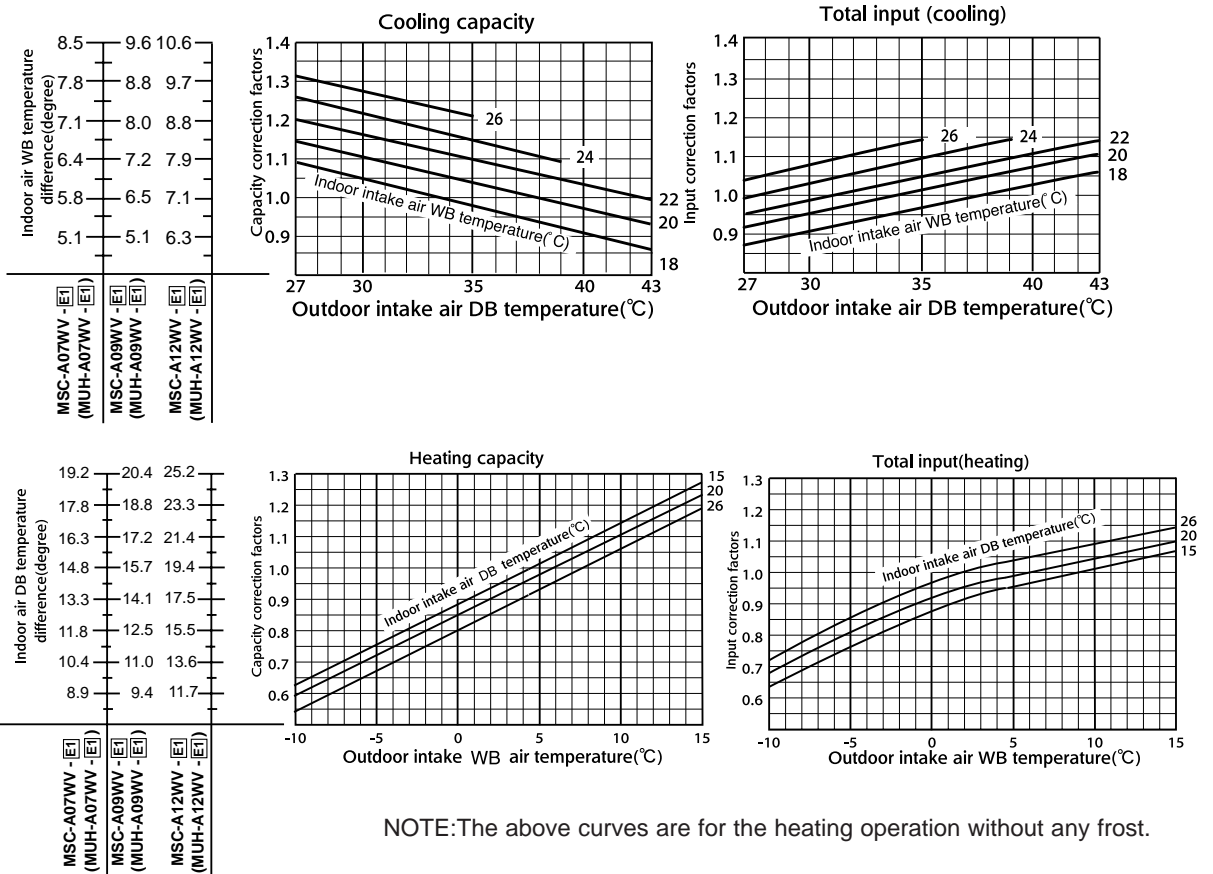
- Attach at least 2 sets of wet-and dry-bulb thermometers to the indoor air intake as shown in the figure, and at least 2 sets of wet-and dry-bulb thermometers to the indoor air outlet. The thermometers must be attached to the position where air speed is high.
- Attach at least 2 sets of wet-and dry-bulb thermometers to the outdoor air intake. Cover the thermometers to prevent direct rays of the sun.
- Check that the air filter is cleaned.
- Open windows and doors of room.
- Press the EMERGENCY OPERATION switch once(twice) to start the EMERGENCY COOL (HEAT<MUH-A07/A09/A12WV>) MODE.
- When system stabilizes after more than 15 minutes, measure temperature and take an average temperature.
- 10 minutes later, measure temperature again and check that the temperature does not change.



### 9-1.CAPACITY AND THE INPUT CURVES







## 9-2. OUTDOOR LOW PRESSURE AND OUTDOOR UNIT CURRENT COOL operation

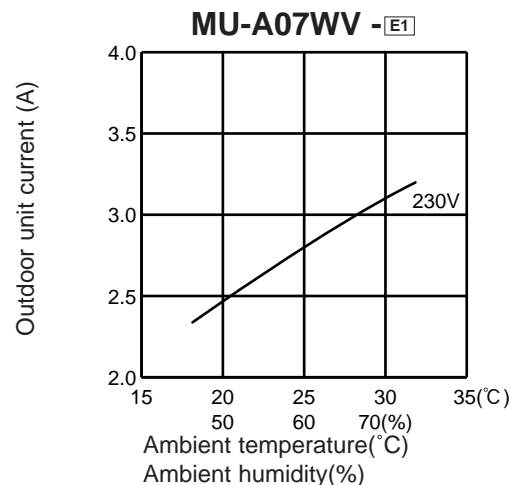
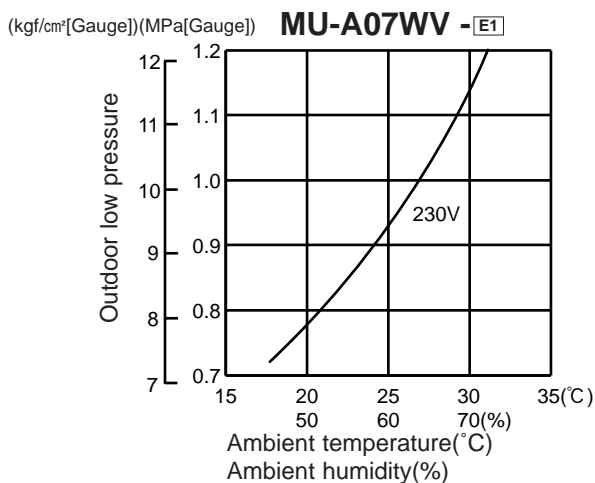
① Both indoor and outdoor unit are under the same temperature/humidity condition.

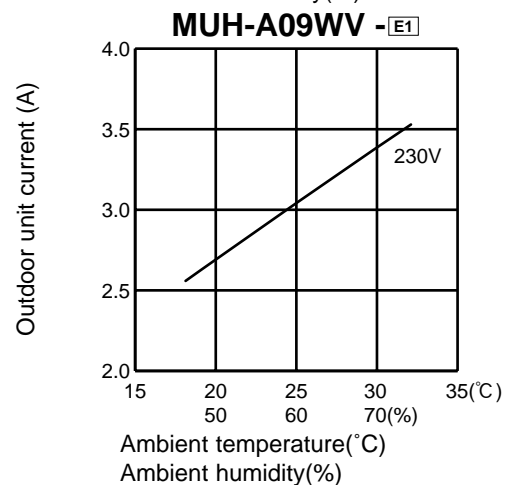
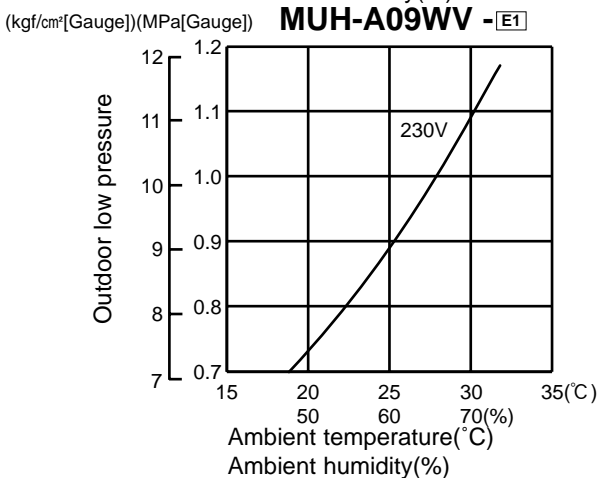
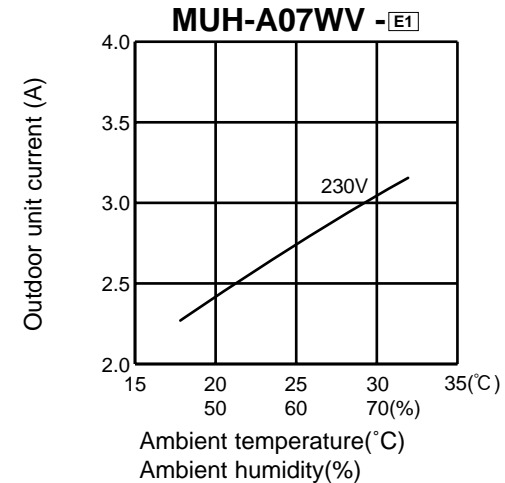
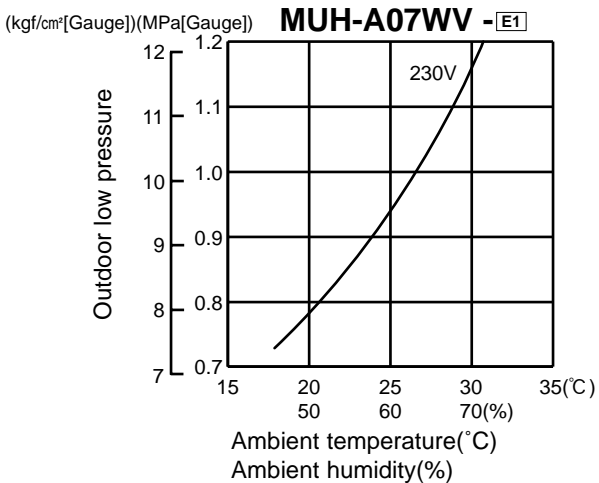
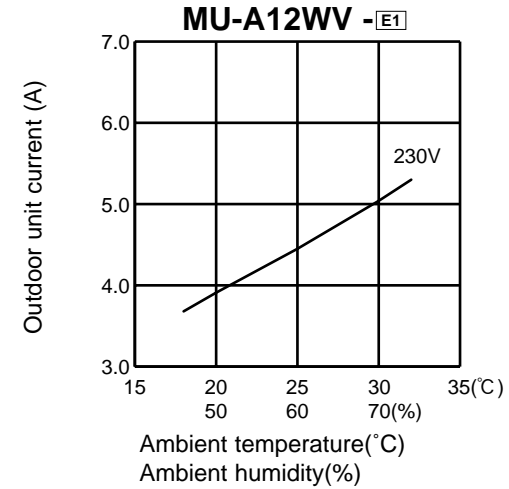
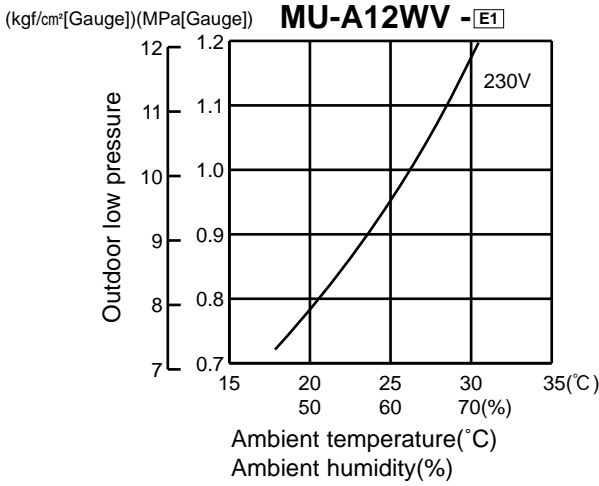
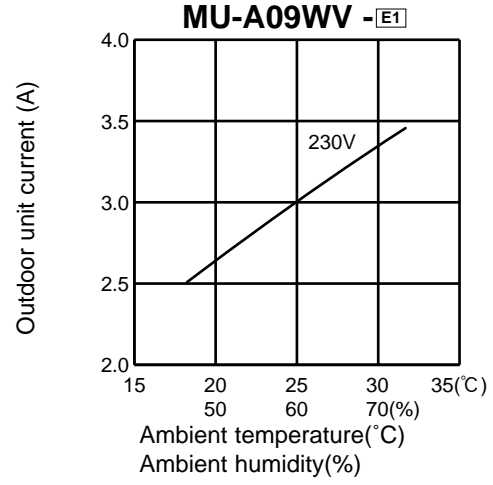
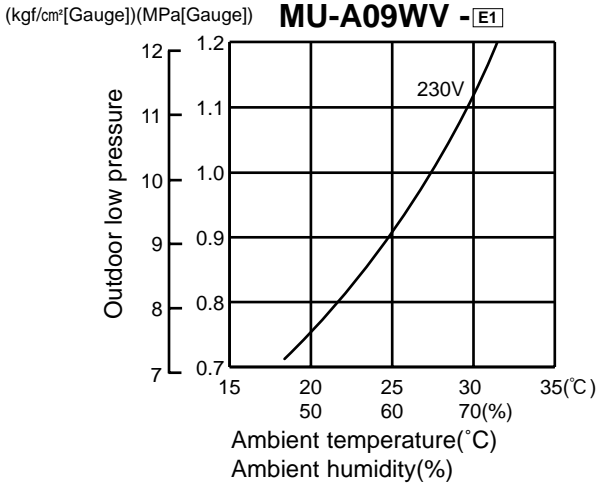
Dry-bulb temperature	Relative humidity(%)
20	50
25	60
30	70

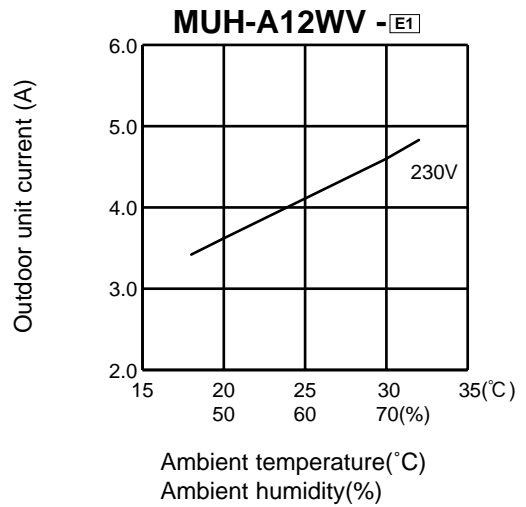
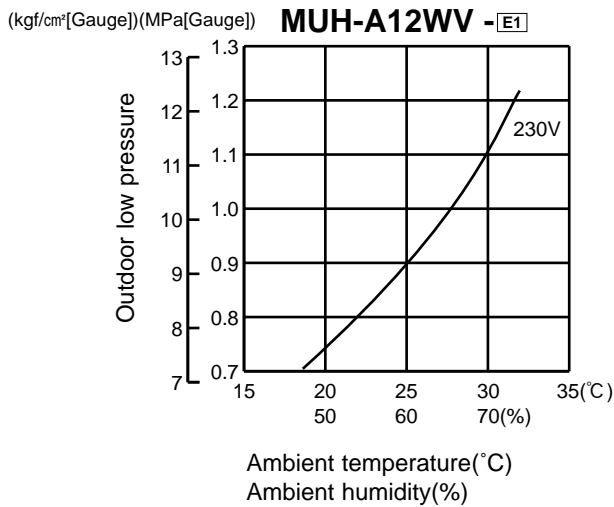
② Air flow should be set at MAX.

③ The unit of pressure has been changed to MPa on the international system of units(SI unit system).

The conversion factor is : **1(MPa[Gauge]) = 10.2(kgf/cm<sup>2</sup>[Gauge])**



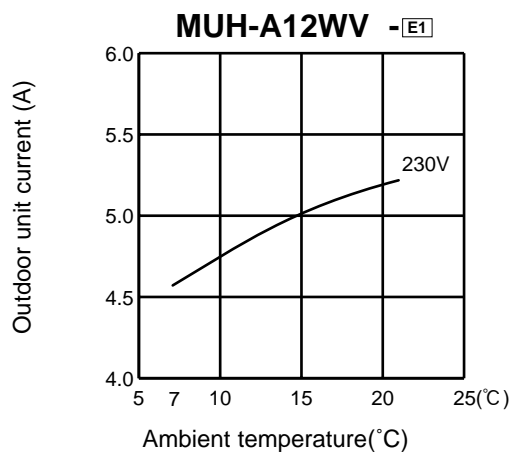
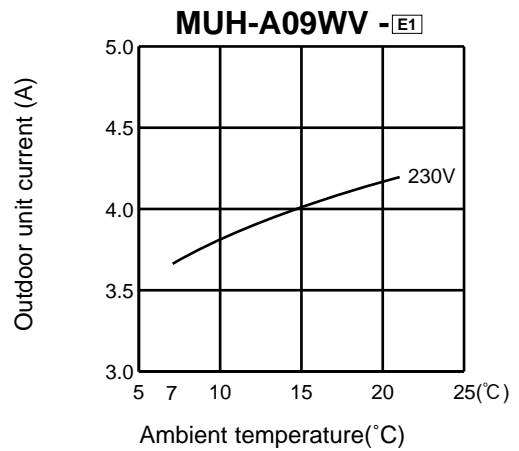
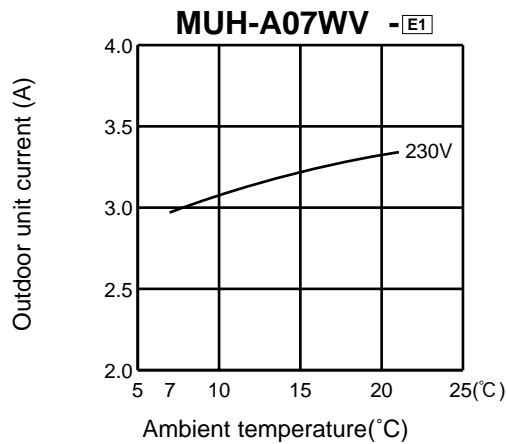




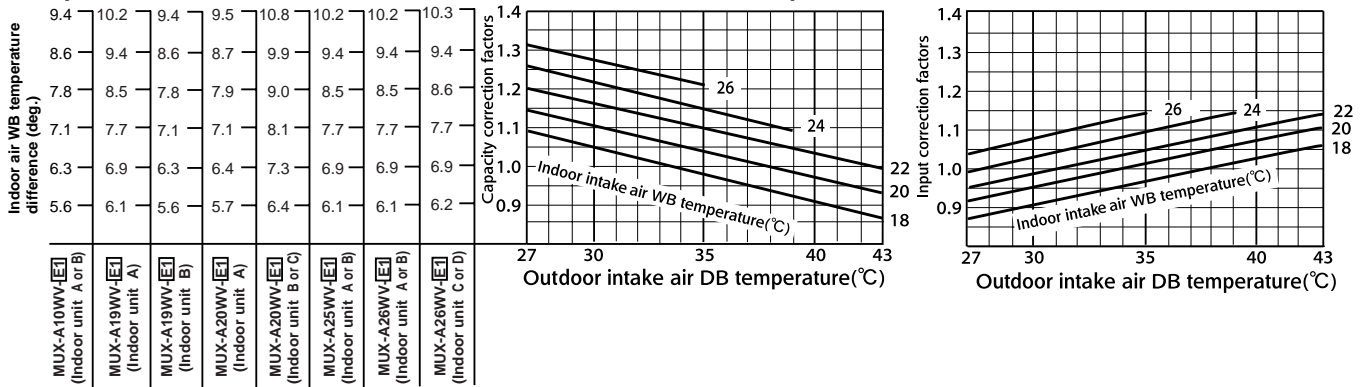
### HEAT operation

Condition indoor: Dry bulb temperature 20.0°C  
Wet bulb temperature 14.5°C

Outdoor: Dry bulb temperature 7,15,20°C  
Wet bulb temperature 6,12,14.5°C



### 9-3. CAPACITY AND THE INPUT CURVES (ONE INDOOR UNIT WITH ONE OUTDOOR UNIT)



### 9-4. OUTDOOR LOW PRESSURE AND OUTDOOR UNIT CURRENT COOL operation

① Both indoor and outdoor unit are under same temperature/humidity condition.

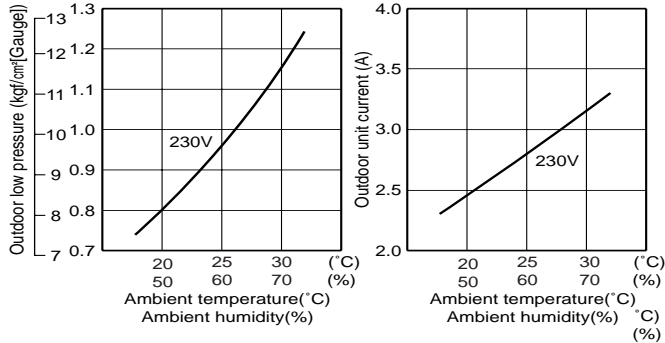
Dry-bulb temperature	Relative humidity (%)
20	50
25	60
30	70

② Air flow should be set at MAX.

③ The unit of pressure has been changed to MPa on the international system of units(SI unit system).  
The conversion factor is : **1(MPa[Gauge]) = 10.2(kgf/cm<sup>2</sup>[Gauge])**

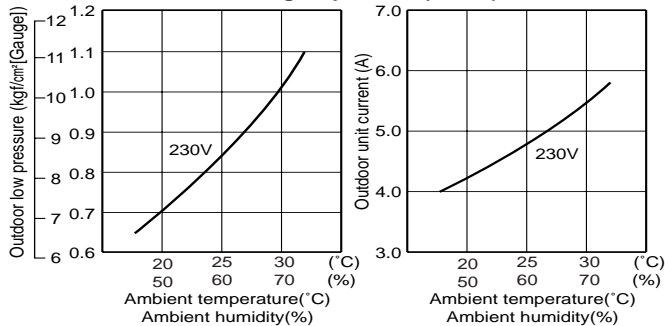
#### MUX-A10WV-[E1]

(kgf/cm<sup>2</sup>[Gauge])(MPa[Gauge]) **Single operation (Unit A or B)**

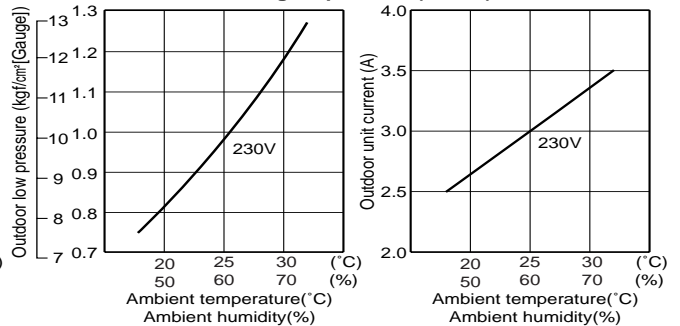


#### MUX-A19WV-[E1]

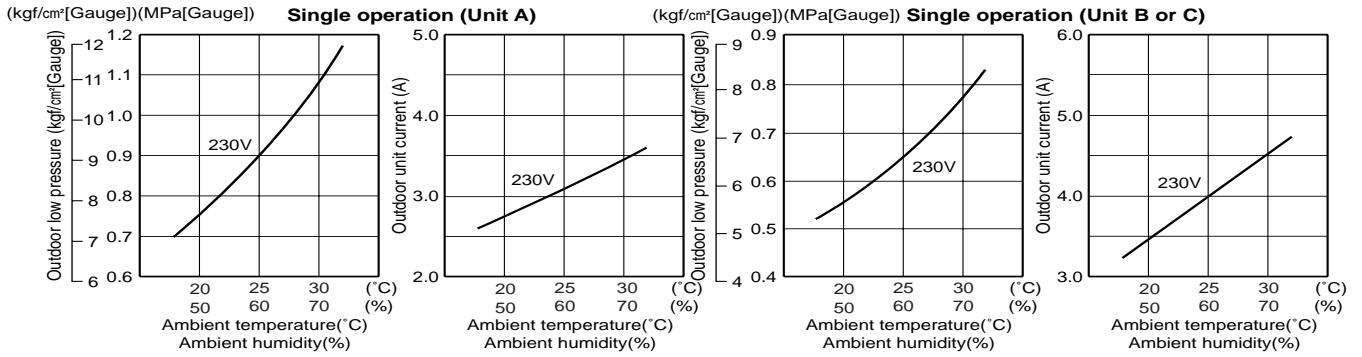
(kgf/cm<sup>2</sup>[Gauge])(MPa[Gauge]) **Single operation (Unit A)**



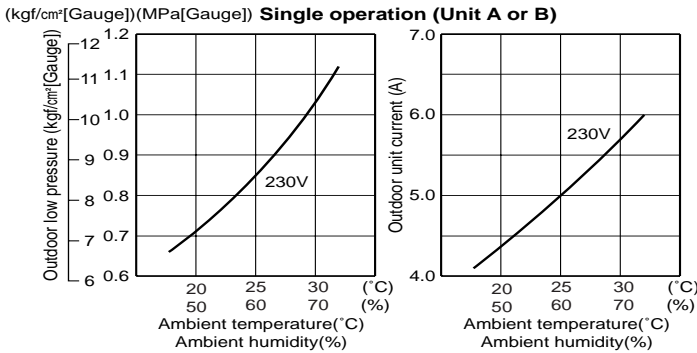
(kgf/cm<sup>2</sup>[Gauge])(MPa[Gauge]) **Single operation (Unit B)**



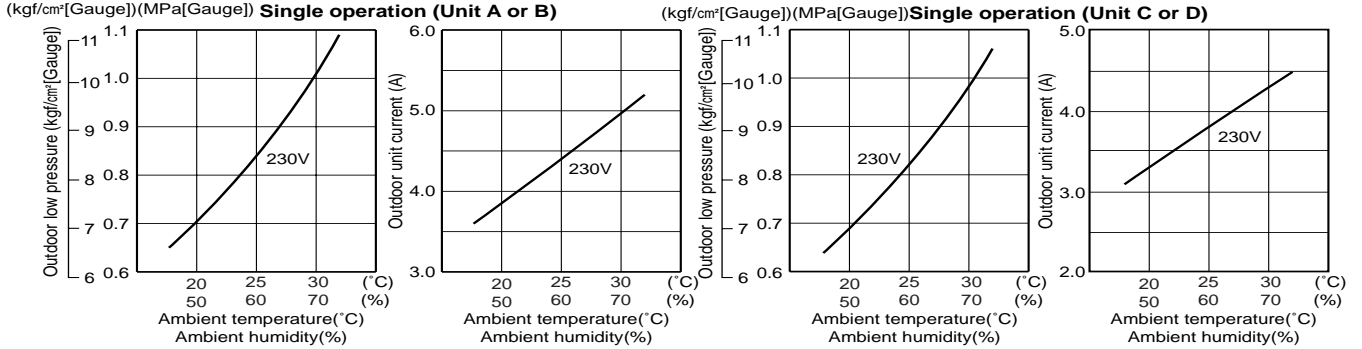
## MUX-A20WV-E1



## MUX-A25WV-E1



## MUX-A26WV-E1



**PERFORMANCE DATA**  
**COOL operation (230V)**

**MSC-A07WV -[E1] : MU-A07WV -[E1]**

CAPACITY : 2.3(kW) SHF : 0.74 INPUT : 710(W)

		OUTDOOR DB(°C)															
INDOOR DB(°C)	INDOOR WB(°C)	21				25				27				30			
		Q	SHC	SHF	INPUT	Q	SHC	SHF	INPUT	Q	SHC	SHF	INPUT	Q	SHC	SHF	INPUT
21	18	2.70	1.51	0.56	568	2.59	1.45	0.56	596	2.48	1.39	0.56	625	2.39	1.34	0.56	653
21	20	2.82	1.24	0.44	596	2.70	1.19	0.44	632	2.62	1.15	0.44	646	2.53	1.11	0.44	675
22	18	2.70	1.62	0.60	568	2.59	1.55	0.60	596	2.48	1.49	0.60	625	2.39	1.44	0.60	653
22	20	2.82	1.35	0.48	596	2.70	1.30	0.48	632	2.62	1.26	0.48	646	2.53	1.21	0.48	675
22	22	2.93	1.06	0.36	618	2.83	1.02	0.36	657	2.76	0.99	0.36	675	2.65	0.95	0.36	703
23	18	2.70	1.73	0.64	568	2.59	1.66	0.64	596	2.48	1.59	0.64	625	2.39	1.53	0.64	653
23	20	2.82	1.47	0.52	596	2.70	1.41	0.52	632	2.62	1.36	0.52	646	2.53	1.32	0.52	675
23	22	2.93	1.17	0.40	618	2.83	1.13	0.40	657	2.76	1.10	0.40	675	2.65	1.06	0.40	703
24	18	2.70	1.84	0.68	568	2.59	1.76	0.68	596	2.48	1.69	0.68	625	2.39	1.63	0.68	653
24	20	2.82	1.58	0.56	596	2.70	1.51	0.56	632	2.62	1.47	0.56	646	2.53	1.42	0.56	675
24	22	2.93	1.29	0.44	618	2.83	1.24	0.44	657	2.76	1.21	0.44	675	2.65	1.16	0.44	703
24	24	3.08	0.99	0.32	646	2.97	0.95	0.32	682	2.90	0.93	0.32	703	2.81	0.90	0.32	738
25	18	2.70	1.95	0.72	568	2.59	1.86	0.72	596	2.48	1.79	0.72	625	2.39	1.72	0.72	653
25	20	2.82	1.69	0.60	596	2.70	1.62	0.60	632	2.62	1.57	0.60	646	2.53	1.52	0.60	675
25	22	2.93	1.41	0.48	618	2.83	1.36	0.48	657	2.76	1.32	0.48	675	2.65	1.27	0.48	703
25	24	3.08	1.11	0.36	646	2.97	1.07	0.36	682	2.90	1.04	0.36	703	2.81	1.01	0.36	738
26	18	2.70	2.05	0.76	568	2.59	1.97	0.76	596	2.48	1.89	0.76	625	2.39	1.82	0.76	653
26	20	2.82	1.80	0.64	596	2.70	1.73	0.64	632	2.62	1.68	0.64	646	2.53	1.62	0.64	675
26	22	2.93	1.52	0.52	618	2.83	1.47	0.52	657	2.76	1.44	0.52	675	2.65	1.38	0.52	703
26	24	3.08	1.23	0.40	646	2.97	1.19	0.40	682	2.90	1.16	0.40	703	2.81	1.12	0.40	738
26	26	3.17	0.89	0.28	682	3.08	0.86	0.28	717	3.04	0.85	0.28	738	2.94	0.82	0.28	760
27	18	2.70	2.16	0.80	568	2.59	2.07	0.80	596	2.48	1.99	0.80	625	2.39	1.91	0.80	653
27	20	2.82	1.92	0.68	596	2.70	1.84	0.68	632	2.62	1.78	0.68	646	2.53	1.72	0.68	675
27	22	2.93	1.64	0.56	618	2.83	1.58	0.56	657	2.76	1.55	0.56	675	2.65	1.48	0.56	703
27	24	3.08	1.36	0.44	646	2.97	1.31	0.44	682	2.90	1.28	0.44	703	2.81	1.23	0.44	738
27	26	3.17	1.02	0.32	682	3.08	0.99	0.32	717	3.04	0.97	0.32	738	2.94	0.94	0.32	760
28	18	2.70	2.27	0.84	568	2.59	2.17	0.84	596	2.48	2.09	0.84	625	2.39	2.01	0.84	653
28	20	2.82	2.03	0.72	596	2.70	1.95	0.72	632	2.62	1.89	0.72	646	2.53	1.82	0.72	675
28	22	2.93	1.76	0.60	618	2.83	1.70	0.60	657	2.76	1.66	0.60	675	2.65	1.59	0.60	703
28	24	3.08	1.48	0.48	646	2.97	1.42	0.48	682	2.90	1.39	0.48	703	2.81	1.35	0.48	738
28	26	3.17	1.14	0.36	682	3.08	1.11	0.36	717	3.04	1.09	0.36	738	2.94	1.06	0.36	760
29	18	2.70	2.38	0.88	568	2.59	2.28	0.88	596	2.48	2.19	0.88	625	2.39	2.10	0.88	653
29	20	2.82	2.14	0.76	596	2.70	2.05	0.76	632	2.62	1.99	0.76	646	2.53	1.92	0.76	675
29	22	2.93	1.88	0.64	618	2.83	1.81	0.64	657	2.76	1.77	0.64	675	2.65	1.69	0.64	703
29	24	3.08	1.60	0.52	646	2.97	1.54	0.52	682	2.90	1.51	0.52	703	2.81	1.46	0.52	738
29	26	3.17	1.27	0.40	682	3.08	1.23	0.40	717	3.04	1.21	0.40	738	2.94	1.18	0.40	760
30	18	2.70	2.49	0.92	568	2.59	2.38	0.92	596	2.48	2.29	0.92	625	2.39	2.20	0.92	653
30	20	2.82	2.25	0.80	596	2.70	2.16	0.80	632	2.62	2.10	0.80	646	2.53	2.02	0.80	675
30	22	2.93	1.99	0.68	618	2.83	1.92	0.68	657	2.76	1.88	0.68	675	2.65	1.80	0.68	703
30	24	3.08	1.73	0.56	646	2.97	1.66	0.56	682	2.90	1.62	0.56	703	2.81	1.57	0.56	738
30	26	3.17	1.40	0.44	682	3.08	1.36	0.44	717	3.04	1.34	0.44	738	2.94	1.30	0.44	760
31	18	2.70	2.59	0.96	568	2.59	2.48	0.96	596	2.48	2.38	0.96	625	2.39	2.30	0.96	653
31	20	2.82	2.37	0.84	596	2.70	2.27	0.84	632	2.62	2.20	0.84	646	2.53	2.13	0.84	675
31	22	2.93	2.11	0.72	618	2.83	2.04	0.72	657	2.76	1.99	0.72	675	2.65	1.90	0.72	703
31	24	3.08	1.85	0.60	646	2.97	1.78	0.60	682	2.90	1.74	0.60	703	2.81	1.68	0.60	738
31	26	3.17	1.52	0.48	682	3.08	1.48	0.48	717	3.04	1.46	0.48	738	2.94	1.41	0.48	760
32	18	2.70	2.70	1.00	568	2.59	2.59	1.00	596	2.48	2.48	1.00	625	2.39	2.39	1.00	653
32	20	2.82	2.48	0.88	596	2.70	2.38	0.88	632	2.62	2.31	0.88	646	2.53	2.23	0.88	675
32	22	2.93	2.23	0.76	618	2.83	2.15	0.76	657	2.76	2.10	0.76	675	2.65	2.01	0.76	703
32	24	3.08	1.97	0.64	646	2.97	1.90	0.64	682	2.90	1.85	0.64	703	2.81	1.80	0.64	738
32	26	3.17	1.65	0.52	682	3.08	1.60	0.52	717	3.04	1.58	0.52	738	2.94	1.53	0.52	760

**NOTE** Q :Total capacity (kW) SHF :Sensible heat factor DB :Dry-bulb temperature  
 SHC :Sensible heat capacity (kW) INPUT :Total power input (W) WB :Wet-bulb temperature

**PERFORMANCE DATA**

**COOL operation (230V)**

**MSC-A07WV -[E1] : MU-A07WV -[E1]**

CAPACITY : 2.3(kW) SHF : 0.74 INPUT : 710(W)

		OUTDOOR DB(°C)											
INDOOR DB(°C)	INDOOR WB(°C)	35				40				43			
		Q	SHC	SHF	INPUT	Q	SHC	SHF	INPUT	Q	SHC	SHF	INPUT
21	18	2.25	1.26	0.56	696	2.07	1.16	0.56	738	1.99	1.11	0.56	753
21	20	2.37	1.04	0.44	724	2.21	0.97	0.44	760	2.13	0.94	0.44	781
22	18	2.25	1.35	0.60	696	2.07	1.24	0.60	738	1.99	1.19	0.60	753
22	20	2.37	1.14	0.48	724	2.21	1.06	0.48	760	2.13	1.02	0.48	781
22	22	2.51	0.90	0.36	753	2.35	0.84	0.36	795	2.27	0.82	0.36	809
23	18	2.25	1.44	0.64	696	2.07	1.32	0.64	738	1.99	1.27	0.64	753
23	20	2.37	1.23	0.52	724	2.21	1.15	0.52	760	2.13	1.11	0.52	781
23	22	2.51	1.00	0.40	753	2.35	0.94	0.40	795	2.27	0.91	0.40	809
24	18	2.25	1.53	0.68	696	2.07	1.41	0.68	738	1.99	1.35	0.68	753
24	20	2.37	1.33	0.56	724	2.21	1.24	0.56	760	2.13	1.19	0.56	781
24	22	2.51	1.10	0.44	753	2.35	1.03	0.44	795	2.27	1.00	0.44	809
24	24	2.65	0.85	0.32	781	2.48	0.79	0.32	817	2.42	0.77	0.32	834
25	18	2.25	1.62	0.72	696	2.07	1.49	0.72	738	1.99	1.43	0.72	753
25	20	2.37	1.42	0.60	724	2.21	1.32	0.60	760	2.13	1.28	0.60	781
25	22	2.51	1.20	0.48	753	2.35	1.13	0.48	795	2.27	1.09	0.48	809
25	24	2.65	0.95	0.36	781	2.48	0.89	0.36	817	2.42	0.87	0.36	834
26	18	2.25	1.71	0.76	696	2.07	1.57	0.76	738	1.99	1.51	0.76	753
26	20	2.37	1.52	0.64	724	2.21	1.41	0.64	760	2.13	1.36	0.64	781
26	22	2.51	1.30	0.52	753	2.35	1.22	0.52	795	2.27	1.18	0.52	809
26	24	2.65	1.06	0.40	781	2.48	0.99	0.40	817	2.42	0.97	0.40	834
26	26	2.78	0.78	0.28	809	2.62	0.73	0.28	845	2.54	0.71	0.28	863
27	18	2.25	1.80	0.80	696	2.07	1.66	0.80	738	1.99	1.59	0.80	753
27	20	2.37	1.61	0.68	724	2.21	1.50	0.68	760	2.13	1.45	0.68	781
27	22	2.51	1.40	0.56	753	2.35	1.31	0.56	795	2.27	1.27	0.56	809
27	24	2.65	1.16	0.44	781	2.48	1.09	0.44	817	2.42	1.06	0.44	834
27	26	2.78	0.89	0.32	809	2.62	0.84	0.32	845	2.54	0.81	0.32	863
28	18	2.25	1.89	0.84	696	2.07	1.74	0.84	738	1.99	1.67	0.84	753
28	20	2.37	1.71	0.72	724	2.21	1.59	0.72	760	2.13	1.53	0.72	781
28	22	2.51	1.50	0.60	753	2.35	1.41	0.60	795	2.27	1.36	0.60	809
28	24	2.65	1.27	0.48	781	2.48	1.19	0.48	817	2.42	1.16	0.48	834
28	26	2.78	1.00	0.36	809	2.62	0.94	0.36	845	2.54	0.91	0.36	863
29	18	2.25	1.98	0.88	696	2.07	1.82	0.88	738	1.99	1.75	0.88	753
29	20	2.37	1.80	0.76	724	2.21	1.68	0.76	760	2.13	1.62	0.76	781
29	22	2.51	1.60	0.64	753	2.35	1.50	0.64	795	2.27	1.45	0.64	809
29	24	2.65	1.38	0.52	781	2.48	1.29	0.52	817	2.42	1.26	0.52	834
29	26	2.78	1.11	0.40	809	2.62	1.05	0.40	845	2.54	1.02	0.40	863
30	18	2.25	2.07	0.92	696	2.07	1.90	0.92	738	1.99	1.83	0.92	753
30	20	2.37	1.90	0.80	724	2.21	1.77	0.80	760	2.13	1.70	0.80	781
30	22	2.51	1.70	0.68	753	2.35	1.60	0.68	795	2.27	1.54	0.68	809
30	24	2.65	1.48	0.56	781	2.48	1.39	0.56	817	2.42	1.35	0.56	834
30	26	2.78	1.22	0.44	809	2.62	1.15	0.44	845	2.54	1.12	0.44	863
31	18	2.25	2.16	0.96	696	2.07	1.99	0.96	738	1.99	1.91	0.96	753
31	20	2.37	1.99	0.84	724	2.21	1.85	0.84	760	2.13	1.79	0.84	781
31	22	2.51	1.81	0.72	753	2.35	1.69	0.72	795	2.27	1.63	0.72	809
31	24	2.65	1.59	0.60	781	2.48	1.49	0.60	817	2.42	1.45	0.60	834
31	26	2.78	1.34	0.48	809	2.62	1.26	0.48	845	2.54	1.22	0.48	863
32	18	2.25	2.25	1.00	696	2.07	2.07	1.00	738	1.99	1.99	1.00	753
32	20	2.37	2.08	0.88	724	2.21	1.94	0.88	760	2.13	1.87	0.88	781
32	22	2.51	1.91	0.76	753	2.35	1.78	0.76	795	2.27	1.72	0.76	809
32	24	2.65	1.69	0.64	781	2.48	1.59	0.64	817	2.42	1.55	0.64	834
32	26	2.78	1.45	0.52	809	2.62	1.36	0.52	845	2.54	1.32	0.52	863

**NOTE** Q :Total capacity (kW)

SHF :Sensible heat factor

DB :Dry-bulb temperature

SHC :Sensible heat capacity (kW)

INPUT :Total power input (W)

WB :Wet-bulb temperature

**PERFORMANCE DATA**  
**COOL operation (230V)**

**MSC-A09WV -[E1] : MU-A09WV -[E1]**

CAPACITY : 2.55(kW) SHF : 0.70 INPUT : 780(W)

		OUTDOOR DB(°C)															
INDOOR DB(°C)	INDOOR WB(°C)	21				25				27				30			
		Q	SHC	SHF	INPUT	Q	SHC	SHF	INPUT	Q	SHC	SHF	INPUT	Q	SHC	SHF	INPUT
21	18	3.00	1.56	0.52	624	2.87	1.49	0.52	655	2.75	1.43	0.52	686	2.65	1.38	0.52	718
21	20	3.12	1.25	0.40	655	3.00	1.20	0.40	694	2.91	1.16	0.40	710	2.81	1.12	0.40	741
22	18	3.00	1.68	0.56	624	2.87	1.61	0.56	655	2.75	1.54	0.56	686	2.65	1.49	0.56	718
22	20	3.12	1.37	0.44	655	3.00	1.32	0.44	694	2.91	1.28	0.44	710	2.81	1.23	0.44	741
22	22	3.25	1.04	0.32	679	3.14	1.00	0.32	722	3.06	0.98	0.32	741	2.93	0.94	0.32	772
23	18	3.00	1.80	0.60	624	2.87	1.72	0.60	655	2.75	1.65	0.60	686	2.65	1.59	0.60	718
23	20	3.12	1.50	0.48	655	3.00	1.44	0.48	694	2.91	1.40	0.48	710	2.81	1.35	0.48	741
23	22	3.25	1.17	0.36	679	3.14	1.13	0.36	722	3.06	1.10	0.36	741	2.93	1.06	0.36	772
24	18	3.00	1.92	0.64	624	2.87	1.84	0.64	655	2.75	1.76	0.64	686	2.65	1.70	0.64	718
24	20	3.12	1.62	0.52	655	3.00	1.56	0.52	694	2.91	1.51	0.52	710	2.81	1.46	0.52	741
24	22	3.25	1.30	0.40	679	3.14	1.25	0.40	722	3.06	1.22	0.40	741	2.93	1.17	0.40	772
24	24	3.42	0.96	0.28	710	3.29	0.92	0.28	749	3.21	0.90	0.28	772	3.11	0.87	0.28	811
25	18	3.00	2.04	0.68	624	2.87	1.95	0.68	655	2.75	1.87	0.68	686	2.65	1.80	0.68	718
25	20	3.12	1.75	0.56	655	3.00	1.68	0.56	694	2.91	1.63	0.56	710	2.81	1.57	0.56	741
25	22	3.25	1.43	0.44	679	3.14	1.38	0.44	722	3.06	1.35	0.44	741	2.93	1.29	0.44	772
25	24	3.42	1.09	0.32	710	3.29	1.05	0.32	749	3.21	1.03	0.32	772	3.11	1.00	0.32	811
26	18	3.00	2.16	0.72	624	2.87	2.07	0.72	655	2.75	1.98	0.72	686	2.65	1.91	0.72	718
26	20	3.12	1.87	0.60	655	3.00	1.80	0.60	694	2.91	1.74	0.60	710	2.81	1.68	0.60	741
26	22	3.25	1.56	0.48	679	3.14	1.51	0.48	722	3.06	1.47	0.48	741	2.93	1.41	0.48	772
26	24	3.42	1.23	0.36	710	3.29	1.18	0.36	749	3.21	1.16	0.36	772	3.11	1.12	0.36	811
26	26	3.52	0.84	0.24	749	3.42	0.82	0.24	788	3.37	0.81	0.24	811	3.26	0.78	0.24	835
27	18	3.00	2.28	0.76	624	2.87	2.18	0.76	655	2.75	2.09	0.76	686	2.65	2.02	0.76	718
27	20	3.12	2.00	0.64	655	3.00	1.92	0.64	694	2.91	1.86	0.64	710	2.81	1.80	0.64	741
27	22	3.25	1.69	0.52	679	3.14	1.63	0.52	722	3.06	1.59	0.52	741	2.93	1.52	0.52	772
27	24	3.42	1.37	0.40	710	3.29	1.32	0.40	749	3.21	1.29	0.40	772	3.11	1.24	0.40	811
27	26	3.52	0.99	0.28	749	3.42	0.96	0.28	788	3.37	0.94	0.28	811	3.26	0.91	0.28	835
28	18	3.00	2.40	0.80	624	2.87	2.30	0.80	655	2.75	2.20	0.80	686	2.65	2.12	0.80	718
28	20	3.12	2.12	0.68	655	3.00	2.04	0.68	694	2.91	1.98	0.68	710	2.81	1.91	0.68	741
28	22	3.25	1.82	0.56	679	3.14	1.76	0.56	722	3.06	1.71	0.56	741	2.93	1.64	0.56	772
28	24	3.42	1.50	0.44	710	3.29	1.45	0.44	749	3.21	1.41	0.44	772	3.11	1.37	0.44	811
28	26	3.52	1.13	0.32	749	3.42	1.09	0.32	788	3.37	1.08	0.32	811	3.26	1.04	0.32	835
29	18	3.00	2.52	0.84	624	2.87	2.41	0.84	655	2.75	2.31	0.84	686	2.65	2.23	0.84	718
29	20	3.12	2.25	0.72	655	3.00	2.16	0.72	694	2.91	2.09	0.72	710	2.81	2.02	0.72	741
29	22	3.25	1.95	0.60	679	3.14	1.88	0.60	722	3.06	1.84	0.60	741	2.93	1.76	0.60	772
29	24	3.42	1.64	0.48	710	3.29	1.58	0.48	749	3.21	1.54	0.48	772	3.11	1.49	0.48	811
29	26	3.52	1.27	0.36	749	3.42	1.23	0.36	788	3.37	1.21	0.36	811	3.26	1.18	0.36	835
30	18	3.00	2.64	0.88	624	2.87	2.52	0.88	655	2.75	2.42	0.88	686	2.65	2.33	0.88	718
30	20	3.12	2.37	0.76	655	3.00	2.28	0.76	694	2.91	2.21	0.76	710	2.81	2.13	0.76	741
30	22	3.25	2.08	0.64	679	3.14	2.01	0.64	722	3.06	1.96	0.64	741	2.93	1.88	0.64	772
30	24	3.42	1.78	0.52	710	3.29	1.71	0.52	749	3.21	1.67	0.52	772	3.11	1.62	0.52	811
30	26	3.52	1.41	0.40	749	3.42	1.37	0.40	788	3.37	1.35	0.40	811	3.26	1.31	0.40	835
31	18	3.00	2.76	0.92	624	2.87	2.64	0.92	655	2.75	2.53	0.92	686	2.65	2.44	0.92	718
31	20	3.12	2.50	0.80	655	3.00	2.40	0.80	694	2.91	2.33	0.80	710	2.81	2.24	0.80	741
31	22	3.25	2.21	0.68	679	3.14	2.13	0.68	722	3.06	2.08	0.68	741	2.93	1.99	0.68	772
31	24	3.42	1.91	0.56	710	3.29	1.84	0.56	749	3.21	1.80	0.56	772	3.11	1.74	0.56	811
31	26	3.52	1.55	0.44	749	3.42	1.50	0.44	788	3.37	1.48	0.44	811	3.26	1.44	0.44	835
32	18	3.00	2.88	0.96	624	2.87	2.75	0.96	655	2.75	2.64	0.96	686	2.65	2.55	0.96	718
32	20	3.12	2.62	0.84	655	3.00	2.52	0.84	694	2.91	2.44	0.84	710	2.81	2.36	0.84	741
32	22	3.25	2.34	0.72	679	3.14	2.26	0.72	722	3.06	2.20	0.72	741	2.93	2.11	0.72	772
32	24	3.42	2.05	0.60	710	3.29	1.97	0.60	749	3.21	1.93	0.60	772	3.11	1.87	0.60	811
32	26	3.52	1.69	0.48	749	3.42	1.64	0.48	788	3.37	1.62	0.48	811	3.26	1.57	0.48	835

**NOTE** Q :Total capacity (kW) SHF :Sensible heat factor DB :Dry-bulb temperature  
SHC :Sensible heat capacity (kW) INPUT :Total power input (W) WB :Wet-bulb temperature



**PERFORMANCE DATA**

**COOL operation (230V)**

**MSC-A09WV -[E1] : MU-A09WV -[E1]**

CAPACITY : 2.55(kW) SHF : 0.70 INPUT : 780(W)

		OUTDOOR DB(°C)											
INDOOR DB(°C)	INDOOR WB(°C)	35				40				43			
		Q	SHC	SHF	INPUT	Q	SHC	SHF	INPUT	Q	SHC	SHF	INPUT
21	18	2.50	1.30	0.52	764	2.30	1.19	0.52	811	2.21	1.15	0.52	827
21	20	2.63	1.05	0.40	796	2.45	0.98	0.40	835	2.36	0.94	0.40	858
22	18	2.50	1.40	0.56	764	2.30	1.29	0.56	811	2.21	1.24	0.56	827
22	20	2.63	1.16	0.44	796	2.45	1.08	0.44	835	2.36	1.04	0.44	858
22	22	2.78	0.89	0.32	827	2.60	0.83	0.32	874	2.51	0.80	0.32	889
23	18	2.50	1.50	0.60	764	2.30	1.38	0.60	811	2.21	1.32	0.60	827
23	20	2.63	1.26	0.48	796	2.45	1.18	0.48	835	2.36	1.13	0.48	858
23	22	2.78	1.00	0.36	827	2.60	0.94	0.36	874	2.51	0.90	0.36	889
24	18	2.50	1.60	0.64	764	2.30	1.47	0.64	811	2.21	1.41	0.64	827
24	20	2.63	1.37	0.52	796	2.45	1.27	0.52	835	2.36	1.23	0.52	858
24	22	2.78	1.11	0.40	827	2.60	1.04	0.40	874	2.51	1.00	0.40	889
24	24	2.93	0.82	0.28	858	2.75	0.77	0.28	897	2.68	0.75	0.28	917
25	18	2.50	1.70	0.68	764	2.30	1.56	0.68	811	2.21	1.50	0.68	827
25	20	2.63	1.47	0.56	796	2.45	1.37	0.56	835	2.36	1.32	0.56	858
25	22	2.78	1.22	0.44	827	2.60	1.14	0.44	874	2.51	1.11	0.44	889
25	24	2.93	0.94	0.32	858	2.75	0.88	0.32	897	2.68	0.86	0.32	917
26	18	2.50	1.80	0.72	764	2.30	1.65	0.72	811	2.21	1.59	0.72	827
26	20	2.63	1.58	0.60	796	2.45	1.47	0.60	835	2.36	1.42	0.60	858
26	22	2.78	1.33	0.48	827	2.60	1.25	0.48	874	2.51	1.21	0.48	889
26	24	2.93	1.06	0.36	858	2.75	0.99	0.36	897	2.68	0.96	0.36	917
26	26	3.09	0.74	0.24	889	2.91	0.70	0.24	928	2.82	0.68	0.24	948
27	18	2.50	1.90	0.76	764	2.30	1.74	0.76	811	2.21	1.68	0.76	827
27	20	2.63	1.68	0.64	796	2.45	1.57	0.64	835	2.36	1.51	0.64	858
27	22	2.78	1.45	0.52	827	2.60	1.35	0.52	874	2.51	1.31	0.52	889
27	24	2.93	1.17	0.40	858	2.75	1.10	0.40	897	2.68	1.07	0.40	917
27	26	3.09	0.86	0.28	889	2.91	0.81	0.28	928	2.82	0.79	0.28	948
28	18	2.50	2.00	0.80	764	2.30	1.84	0.80	811	2.21	1.76	0.80	827
28	20	2.63	1.79	0.68	796	2.45	1.66	0.68	835	2.36	1.60	0.68	858
28	22	2.78	1.56	0.56	827	2.60	1.46	0.56	874	2.51	1.41	0.56	889
28	24	2.93	1.29	0.44	858	2.75	1.21	0.44	897	2.68	1.18	0.44	917
28	26	3.09	0.99	0.32	889	2.91	0.93	0.32	928	2.82	0.90	0.32	948
29	18	2.50	2.10	0.84	764	2.30	1.93	0.84	811	2.21	1.85	0.84	827
29	20	2.63	1.89	0.72	796	2.45	1.76	0.72	835	2.36	1.70	0.72	858
29	22	2.78	1.67	0.60	827	2.60	1.56	0.60	874	2.51	1.51	0.60	889
29	24	2.93	1.41	0.48	858	2.75	1.32	0.48	897	2.68	1.29	0.48	917
29	26	3.09	1.11	0.36	889	2.91	1.05	0.36	928	2.82	1.01	0.36	948
30	18	2.50	2.20	0.88	764	2.30	2.02	0.88	811	2.21	1.94	0.88	827
30	20	2.63	2.00	0.76	796	2.45	1.86	0.76	835	2.36	1.79	0.76	858
30	22	2.78	1.78	0.64	827	2.60	1.66	0.64	874	2.51	1.61	0.64	889
30	24	2.93	1.52	0.52	858	2.75	1.43	0.52	897	2.68	1.39	0.52	917
30	26	3.09	1.23	0.40	889	2.91	1.16	0.40	928	2.82	1.13	0.40	948
31	18	2.50	2.30	0.92	764	2.30	2.11	0.92	811	2.21	2.03	0.92	827
31	20	2.63	2.10	0.80	796	2.45	1.96	0.80	835	2.36	1.89	0.80	858
31	22	2.78	1.89	0.68	827	2.60	1.77	0.68	874	2.51	1.71	0.68	889
31	24	2.93	1.64	0.56	858	2.75	1.54	0.56	897	2.68	1.50	0.56	917
31	26	3.09	1.36	0.44	889	2.91	1.28	0.44	928	2.82	1.24	0.44	948
32	18	2.50	2.40	0.96	764	2.30	2.20	0.96	811	2.21	2.12	0.96	827
32	20	2.63	2.21	0.84	796	2.45	2.06	0.84	835	2.36	1.98	0.84	858
32	22	2.78	2.00	0.72	827	2.60	1.87	0.72	874	2.51	1.81	0.72	889
32	24	2.93	1.76	0.60	858	2.75	1.65	0.60	897	2.68	1.61	0.60	917
32	26	3.09	1.48	0.48	889	2.91	1.40	0.48	928	2.82	1.35	0.48	948

**NOTE** Q :Total capacity (kW) SHF :Sensible heat factor DB :Dry-bulb temperature  
 SHC :Sensible heat capacity (kW) INPUT :Total power input (W) WB :Wet-bulb temperature

**PERFORMANCE DATA**  
**COOL operation (230V)**

**MSC-A12WV -[E1] : MU-A12WV -[E1]**

CAPACITY : 3.45(kW) SHF : 0.67 INPUT : 1140(W)

		OUTDOOR DB(°C)															
INDOOR DB(°C)	INDOOR WB(°C)	21				25				27				30			
		Q	SHC	SHF	INPUT	Q	SHC	SHF	INPUT	Q	SHC	SHF	INPUT	Q	SHC	SHF	INPUT
21	18	4.05	1.99	0.49	912	3.88	1.90	0.49	958	3.73	1.83	0.49	1003	3.59	1.76	0.49	1049
21	20	4.23	1.56	0.37	958	4.05	1.50	0.37	1015	3.93	1.46	0.37	1037	3.80	1.40	0.37	1083
22	18	4.05	2.15	0.53	912	3.88	2.06	0.53	958	3.73	1.97	0.53	1003	3.59	1.90	0.53	1049
22	20	4.23	1.73	0.41	958	4.05	1.66	0.41	1015	3.93	1.61	0.41	1037	3.80	1.56	0.41	1083
22	22	4.40	1.28	0.29	992	4.24	1.23	0.29	1055	4.14	1.20	0.29	1083	3.97	1.15	0.29	1129
23	18	4.05	2.31	0.57	912	3.88	2.21	0.57	958	3.73	2.12	0.57	1003	3.59	2.05	0.57	1049
23	20	4.23	1.90	0.45	958	4.05	1.82	0.45	1015	3.93	1.77	0.45	1037	3.80	1.71	0.45	1083
23	22	4.40	1.45	0.33	992	4.24	1.40	0.33	1055	4.14	1.37	0.33	1083	3.97	1.31	0.33	1129
24	18	4.05	2.47	0.61	912	3.88	2.37	0.61	958	3.73	2.27	0.61	1003	3.59	2.19	0.61	1049
24	20	4.23	2.07	0.49	958	4.05	1.99	0.49	1015	3.93	1.93	0.49	1037	3.80	1.86	0.49	1083
24	22	4.40	1.63	0.37	992	4.24	1.57	0.37	1055	4.14	1.53	0.37	1083	3.97	1.47	0.37	1129
24	24	4.62	1.16	0.25	1037	4.45	1.11	0.25	1094	4.35	1.09	0.25	1129	4.21	1.05	0.25	1186
25	18	4.05	2.63	0.65	912	3.88	2.52	0.65	958	3.73	2.42	0.65	1003	3.59	2.33	0.65	1049
25	20	4.23	2.24	0.53	958	4.05	2.15	0.53	1015	3.93	2.08	0.53	1037	3.80	2.01	0.53	1083
25	22	4.40	1.80	0.41	992	4.24	1.74	0.41	1055	4.14	1.70	0.41	1083	3.97	1.63	0.41	1129
25	24	4.62	1.34	0.29	1037	4.45	1.29	0.29	1094	4.35	1.26	0.29	1129	4.21	1.22	0.29	1186
26	18	4.05	2.80	0.69	912	3.88	2.68	0.69	958	3.73	2.57	0.69	1003	3.59	2.48	0.69	1049
26	20	4.23	2.41	0.57	958	4.05	2.31	0.57	1015	3.93	2.24	0.57	1037	3.80	2.16	0.57	1083
26	22	4.40	1.98	0.45	992	4.24	1.91	0.45	1055	4.14	1.86	0.45	1083	3.97	1.79	0.45	1129
26	24	4.62	1.53	0.33	1037	4.45	1.47	0.33	1094	4.35	1.43	0.33	1129	4.21	1.39	0.33	1186
26	26	4.76	1.00	0.21	1094	4.62	0.97	0.21	1151	4.55	0.96	0.21	1186	4.42	0.93	0.21	1220
27	18	4.05	2.96	0.73	912	3.88	2.83	0.73	958	3.73	2.72	0.73	1003	3.59	2.62	0.73	1049
27	20	4.23	2.58	0.61	958	4.05	2.47	0.61	1015	3.93	2.40	0.61	1037	3.80	2.31	0.61	1083
27	22	4.40	2.16	0.49	992	4.24	2.08	0.49	1055	4.14	2.03	0.49	1083	3.97	1.94	0.49	1129
27	24	4.62	1.71	0.37	1037	4.45	1.65	0.37	1094	4.35	1.61	0.37	1129	4.21	1.56	0.37	1186
27	26	4.76	1.19	0.25	1094	4.62	1.16	0.25	1151	4.55	1.14	0.25	1186	4.42	1.10	0.25	1220
28	18	4.05	3.12	0.77	912	3.88	2.99	0.77	958	3.73	2.87	0.77	1003	3.59	2.76	0.77	1049
28	20	4.23	2.75	0.65	958	4.05	2.63	0.65	1015	3.93	2.56	0.65	1037	3.80	2.47	0.65	1083
28	22	4.40	2.33	0.53	992	4.24	2.25	0.53	1055	4.14	2.19	0.53	1083	3.97	2.10	0.53	1129
28	24	4.62	1.90	0.41	1037	4.45	1.82	0.41	1094	4.35	1.78	0.41	1129	4.21	1.73	0.41	1186
28	26	4.76	1.38	0.29	1094	4.62	1.34	0.29	1151	4.55	1.32	0.29	1186	4.42	1.28	0.29	1220
29	18	4.05	3.28	0.81	912	3.88	3.14	0.81	958	3.73	3.02	0.81	1003	3.59	2.91	0.81	1049
29	20	4.23	2.92	0.69	958	4.05	2.80	0.69	1015	3.93	2.71	0.69	1037	3.80	2.62	0.69	1083
29	22	4.40	2.51	0.57	992	4.24	2.42	0.57	1055	4.14	2.36	0.57	1083	3.97	2.26	0.57	1129
29	24	4.62	2.08	0.45	1037	4.45	2.00	0.45	1094	4.35	1.96	0.45	1129	4.21	1.89	0.45	1186
29	26	4.76	1.57	0.33	1094	4.62	1.53	0.33	1151	4.55	1.50	0.33	1186	4.42	1.46	0.33	1220
30	18	4.05	3.45	0.85	912	3.88	3.30	0.85	958	3.73	3.17	0.85	1003	3.59	3.05	0.85	1049
30	20	4.23	3.09	0.73	958	4.05	2.96	0.73	1015	3.93	2.87	0.73	1037	3.80	2.77	0.73	1083
30	22	4.40	2.68	0.61	992	4.24	2.59	0.61	1055	4.14	2.53	0.61	1083	3.97	2.42	0.61	1129
30	24	4.62	2.27	0.49	1037	4.45	2.18	0.49	1094	4.35	2.13	0.49	1129	4.21	2.06	0.49	1186
30	26	4.76	1.76	0.37	1094	4.62	1.71	0.37	1151	4.55	1.68	0.37	1186	4.42	1.63	0.37	1220
31	18	4.05	3.61	0.89	912	3.88	3.45	0.89	958	3.73	3.32	0.89	1003	3.59	3.19	0.89	1049
31	20	4.23	3.25	0.77	958	4.05	3.12	0.77	1015	3.93	3.03	0.77	1037	3.80	2.92	0.77	1083
31	22	4.40	2.86	0.65	992	4.24	2.76	0.65	1055	4.14	2.69	0.65	1083	3.97	2.58	0.65	1129
31	24	4.62	2.45	0.53	1037	4.45	2.36	0.53	1094	4.35	2.30	0.53	1129	4.21	2.23	0.53	1186
31	26	4.76	1.95	0.41	1094	4.62	1.90	0.41	1151	4.55	1.87	0.41	1186	4.42	1.81	0.41	1220
32	18	4.05	3.77	0.93	912	3.88	3.61	0.93	958	3.73	3.47	0.93	1003	3.59	3.34	0.93	1049
32	20	4.23	3.42	0.81	958	4.05	3.28	0.81	1015	3.93	3.19	0.81	1037	3.80	3.07	0.81	1083
32	22	4.40	3.04	0.69	992	4.24	2.93	0.69	1055	4.14	2.86	0.69	1083	3.97	2.74	0.69	1129
32	24	4.62	2.64	0.57	1037	4.45	2.54	0.57	1094	4.35	2.48	0.57	1129	4.21	2.40	0.57	1186
32	26	4.76	2.14	0.45	1094	4.62	2.08	0.45	1151	4.55	2.05	0.45	1186	4.42	1.99	0.45	1220

**NOTE** Q :Total capacity (kW) SHF :Sensible heat factor DB :Dry-bulb temperature  
 SHC :Sensible heat capacity (kW) INPUT :Total power input (W) WB :Wet-bulb temperature

**PERFORMANCE DATA**  
**COOL operation (230V)**

**MSC-A12WV -[E1] : MU-A12WV -[E1]**

CAPACITY : 3.45(kW) SHF : 0.67 INPUT : 1140(W)

		OUTDOOR DB(°C)											
INDOOR DB(°C)	INDOOR WB(°C)	35				40				43			
		Q	SHC	SHF	INPUT	Q	SHC	SHF	INPUT	Q	SHC	SHF	INPUT
21	18	3.38	1.66	0.49	1117	3.11	1.52	0.49	1186	2.98	1.46	0.49	1208
21	20	3.55	1.31	0.37	1163	3.31	1.23	0.37	1220	3.19	1.18	0.37	1254
22	18	3.38	1.79	0.53	1117	3.11	1.65	0.53	1186	2.98	1.58	0.53	1208
22	20	3.55	1.46	0.41	1163	3.31	1.36	0.41	1220	3.19	1.31	0.41	1254
22	22	3.76	1.09	0.29	1208	3.52	1.02	0.29	1277	3.40	0.99	0.29	1300
23	18	3.38	1.93	0.57	1117	3.11	1.77	0.57	1186	2.98	1.70	0.57	1208
23	20	3.55	1.60	0.45	1163	3.31	1.49	0.45	1220	3.19	1.44	0.45	1254
23	22	3.76	1.24	0.33	1208	3.52	1.16	0.33	1277	3.40	1.12	0.33	1300
24	18	3.38	2.06	0.61	1117	3.11	1.89	0.61	1186	2.98	1.82	0.61	1208
24	20	3.55	1.74	0.49	1163	3.31	1.62	0.49	1220	3.19	1.56	0.49	1254
24	22	3.76	1.39	0.37	1208	3.52	1.30	0.37	1277	3.40	1.26	0.37	1300
24	24	3.97	0.99	0.25	1254	3.73	0.93	0.25	1311	3.62	0.91	0.25	1340
25	18	3.38	2.20	0.65	1117	3.11	2.02	0.65	1186	2.98	1.94	0.65	1208
25	20	3.55	1.88	0.53	1163	3.31	1.76	0.53	1220	3.19	1.69	0.53	1254
25	22	3.76	1.54	0.41	1208	3.52	1.44	0.41	1277	3.40	1.39	0.41	1300
25	24	3.97	1.15	0.29	1254	3.73	1.08	0.29	1311	3.62	1.05	0.29	1340
26	18	3.38	2.33	0.69	1117	3.11	2.14	0.69	1186	2.98	2.06	0.69	1208
26	20	3.55	2.03	0.57	1163	3.31	1.89	0.57	1220	3.19	1.82	0.57	1254
26	22	3.76	1.69	0.45	1208	3.52	1.58	0.45	1277	3.40	1.53	0.45	1300
26	24	3.97	1.31	0.33	1254	3.73	1.23	0.33	1311	3.62	1.20	0.33	1340
26	26	4.17	0.88	0.21	1300	3.93	0.83	0.21	1357	3.81	0.80	0.21	1385
27	18	3.38	2.47	0.73	1117	3.11	2.27	0.73	1186	2.98	2.18	0.73	1208
27	20	3.55	2.17	0.61	1163	3.31	2.02	0.61	1220	3.19	1.95	0.61	1254
27	22	3.76	1.84	0.49	1208	3.52	1.72	0.49	1277	3.40	1.67	0.49	1300
27	24	3.97	1.47	0.37	1254	3.73	1.38	0.37	1311	3.62	1.34	0.37	1340
27	26	4.17	1.04	0.25	1300	3.93	0.98	0.25	1357	3.81	0.95	0.25	1385
28	18	3.38	2.60	0.77	1117	3.11	2.39	0.77	1186	2.98	2.30	0.77	1208
28	20	3.55	2.31	0.65	1163	3.31	2.15	0.65	1220	3.19	2.07	0.65	1254
28	22	3.76	1.99	0.53	1208	3.52	1.87	0.53	1277	3.40	1.80	0.53	1300
28	24	3.97	1.63	0.41	1254	3.73	1.53	0.41	1311	3.62	1.49	0.41	1340
28	26	4.17	1.21	0.29	1300	3.93	1.14	0.29	1357	3.81	1.11	0.29	1385
29	18	3.38	2.74	0.81	1117	3.11	2.52	0.81	1186	2.98	2.42	0.81	1208
29	20	3.55	2.45	0.69	1163	3.31	2.29	0.69	1220	3.19	2.20	0.69	1254
29	22	3.76	2.14	0.57	1208	3.52	2.01	0.57	1277	3.40	1.94	0.57	1300
29	24	3.97	1.79	0.45	1254	3.73	1.68	0.45	1311	3.62	1.63	0.45	1340
29	26	4.17	1.38	0.33	1300	3.93	1.30	0.33	1357	3.81	1.26	0.33	1385
30	18	3.38	2.87	0.85	1117	3.11	2.64	0.85	1186	2.98	2.54	0.85	1208
30	20	3.55	2.59	0.73	1163	3.31	2.42	0.73	1220	3.19	2.33	0.73	1254
30	22	3.76	2.29	0.61	1208	3.52	2.15	0.61	1277	3.40	2.07	0.61	1300
30	24	3.97	1.94	0.49	1254	3.73	1.83	0.49	1311	3.62	1.78	0.49	1340
30	26	4.17	1.54	0.37	1300	3.93	1.46	0.37	1357	3.81	1.41	0.37	1385
31	18	3.38	3.01	0.89	1117	3.11	2.76	0.89	1186	2.98	2.66	0.89	1208
31	20	3.55	2.74	0.77	1163	3.31	2.55	0.77	1220	3.19	2.46	0.77	1254
31	22	3.76	2.44	0.65	1208	3.52	2.29	0.65	1277	3.40	2.21	0.65	1300
31	24	3.97	2.10	0.53	1254	3.73	1.97	0.53	1311	3.62	1.92	0.53	1340
31	26	4.17	1.71	0.41	1300	3.93	1.61	0.41	1357	3.81	1.56	0.41	1385
32	18	3.38	3.14	0.93	1117	3.11	2.89	0.93	1186	2.98	2.78	0.93	1208
32	20	3.55	2.88	0.81	1163	3.31	2.68	0.81	1220	3.19	2.58	0.81	1254
32	22	3.76	2.59	0.69	1208	3.52	2.43	0.69	1277	3.40	2.34	0.69	1300
32	24	3.97	2.26	0.57	1254	3.73	2.12	0.57	1311	3.62	2.06	0.57	1340
32	26	4.17	1.88	0.45	1300	3.93	1.77	0.45	1357	3.81	1.72	0.45	1385

**NOTE** Q :Total capacity (kW) SHF :Sensible heat factor DB :Dry-bulb temperature  
 SHC :Sensible heat capacity (kW) INPUT :Total power input (W) WB :Wet-bulb temperature

**PERFORMANCE DATA**  
**COOL operation (230V)**

**MSC-A07WV -[E1] : MUH-A07WV -[E1]**

CAPACITY : 2.3(kW) SHF : 0.74 INPUT : 710(W)

		OUTDOOR DB(°C)															
INDOOR DB(°C)	INDOOR WB(°C)	21				25				27				30			
		Q	SHC	SHF	INPUT	Q	SHC	SHF	INPUT	Q	SHC	SHF	INPUT	Q	SHC	SHF	INPUT
21	18	2.70	1.51	0.56	568	2.59	1.45	0.56	596	2.48	1.39	0.56	625	2.39	1.34	0.56	653
21	20	2.82	1.24	0.44	596	2.70	1.19	0.44	632	2.62	1.15	0.44	646	2.53	1.11	0.44	675
22	18	2.70	1.62	0.60	568	2.59	1.55	0.60	596	2.48	1.49	0.60	625	2.39	1.44	0.60	653
22	20	2.82	1.35	0.48	596	2.70	1.30	0.48	632	2.62	1.26	0.48	646	2.53	1.21	0.48	675
22	22	2.93	1.06	0.36	618	2.83	1.02	0.36	657	2.76	0.99	0.36	675	2.65	0.95	0.36	703
23	18	2.70	1.73	0.64	568	2.59	1.66	0.64	596	2.48	1.59	0.64	625	2.39	1.53	0.64	653
23	20	2.82	1.47	0.52	596	2.70	1.41	0.52	632	2.62	1.36	0.52	646	2.53	1.32	0.52	675
23	22	2.93	1.17	0.40	618	2.83	1.13	0.40	657	2.76	1.10	0.40	675	2.65	1.06	0.40	703
24	18	2.70	1.84	0.68	568	2.59	1.76	0.68	596	2.48	1.69	0.68	625	2.39	1.63	0.68	653
24	20	2.82	1.58	0.56	596	2.70	1.51	0.56	632	2.62	1.47	0.56	646	2.53	1.42	0.56	675
24	22	2.93	1.29	0.44	618	2.83	1.24	0.44	657	2.76	1.21	0.44	675	2.65	1.16	0.44	703
24	24	3.08	0.99	0.32	646	2.97	0.95	0.32	682	2.90	0.93	0.32	703	2.81	0.90	0.32	738
25	18	2.70	1.95	0.72	568	2.59	1.86	0.72	596	2.48	1.79	0.72	625	2.39	1.72	0.72	653
25	20	2.82	1.69	0.60	596	2.70	1.62	0.60	632	2.62	1.57	0.60	646	2.53	1.52	0.60	675
25	22	2.93	1.41	0.48	618	2.83	1.36	0.48	657	2.76	1.32	0.48	675	2.65	1.27	0.48	703
25	24	3.08	1.11	0.36	646	2.97	1.07	0.36	682	2.90	1.04	0.36	703	2.81	1.01	0.36	738
26	18	2.70	2.05	0.76	568	2.59	1.97	0.76	596	2.48	1.89	0.76	625	2.39	1.82	0.76	653
26	20	2.82	1.80	0.64	596	2.70	1.73	0.64	632	2.62	1.68	0.64	646	2.53	1.62	0.64	675
26	22	2.93	1.52	0.52	618	2.83	1.47	0.52	657	2.76	1.44	0.52	675	2.65	1.38	0.52	703
26	24	3.08	1.23	0.40	646	2.97	1.19	0.40	682	2.90	1.16	0.40	703	2.81	1.12	0.40	738
26	26	3.17	0.89	0.28	682	3.08	0.86	0.28	717	3.04	0.85	0.28	738	2.94	0.82	0.28	760
27	18	2.70	2.16	0.80	568	2.59	2.07	0.80	596	2.48	1.99	0.80	625	2.39	1.91	0.80	653
27	20	2.82	1.92	0.68	596	2.70	1.84	0.68	632	2.62	1.78	0.68	646	2.53	1.72	0.68	675
27	22	2.93	1.64	0.56	618	2.83	1.58	0.56	657	2.76	1.55	0.56	675	2.65	1.48	0.56	703
27	24	3.08	1.36	0.44	646	2.97	1.31	0.44	682	2.90	1.28	0.44	703	2.81	1.23	0.44	738
27	26	3.17	1.02	0.32	682	3.08	0.99	0.32	717	3.04	0.97	0.32	738	2.94	0.94	0.32	760
28	18	2.70	2.27	0.84	568	2.59	2.17	0.84	596	2.48	2.09	0.84	625	2.39	2.01	0.84	653
28	20	2.82	2.03	0.72	596	2.70	1.95	0.72	632	2.62	1.89	0.72	646	2.53	1.82	0.72	675
28	22	2.93	1.76	0.60	618	2.83	1.70	0.60	657	2.76	1.66	0.60	675	2.65	1.59	0.60	703
28	24	3.08	1.48	0.48	646	2.97	1.42	0.48	682	2.90	1.39	0.48	703	2.81	1.35	0.48	738
28	26	3.17	1.14	0.36	682	3.08	1.11	0.36	717	3.04	1.09	0.36	738	2.94	1.06	0.36	760
29	18	2.70	2.38	0.88	568	2.59	2.28	0.88	596	2.48	2.19	0.88	625	2.39	2.10	0.88	653
29	20	2.82	2.14	0.76	596	2.70	2.05	0.76	632	2.62	1.99	0.76	646	2.53	1.92	0.76	675
29	22	2.93	1.88	0.64	618	2.83	1.81	0.64	657	2.76	1.77	0.64	675	2.65	1.69	0.64	703
29	24	3.08	1.60	0.52	646	2.97	1.54	0.52	682	2.90	1.51	0.52	703	2.81	1.46	0.52	738
29	26	3.17	1.27	0.40	682	3.08	1.23	0.40	717	3.04	1.21	0.40	738	2.94	1.18	0.40	760
30	18	2.70	2.49	0.92	568	2.59	2.38	0.92	596	2.48	2.29	0.92	625	2.39	2.20	0.92	653
30	20	2.82	2.25	0.80	596	2.70	2.16	0.80	632	2.62	2.10	0.80	646	2.53	2.02	0.80	675
30	22	2.93	1.99	0.68	618	2.83	1.92	0.68	657	2.76	1.88	0.68	675	2.65	1.80	0.68	703
30	24	3.08	1.73	0.56	646	2.97	1.66	0.56	682	2.90	1.62	0.56	703	2.81	1.57	0.56	738
30	26	3.17	1.40	0.44	682	3.08	1.36	0.44	717	3.04	1.34	0.44	738	2.94	1.30	0.44	760
31	18	2.70	2.59	0.96	568	2.59	2.48	0.96	596	2.48	2.38	0.96	625	2.39	2.30	0.96	653
31	20	2.82	2.37	0.84	596	2.70	2.27	0.84	632	2.62	2.20	0.84	646	2.53	2.13	0.84	675
31	22	2.93	2.11	0.72	618	2.83	2.04	0.72	657	2.76	1.99	0.72	675	2.65	1.90	0.72	703
31	24	3.08	1.85	0.60	646	2.97	1.78	0.60	682	2.90	1.74	0.60	703	2.81	1.68	0.60	738
31	26	3.17	1.52	0.48	682	3.08	1.48	0.48	717	3.04	1.46	0.48	738	2.94	1.41	0.48	760
32	18	2.70	2.70	1.00	568	2.59	2.59	1.00	596	2.48	2.48	1.00	625	2.39	2.39	1.00	653
32	20	2.82	2.48	0.88	596	2.70	2.38	0.88	632	2.62	2.31	0.88	646	2.53	2.23	0.88	675
32	22	2.93	2.23	0.76	618	2.83	2.15	0.76	657	2.76	2.10	0.76	675	2.65	2.01	0.76	703
32	24	3.08	1.97	0.64	646	2.97	1.90	0.64	682	2.90	1.85	0.64	703	2.81	1.80	0.64	738
32	26	3.17	1.65	0.52	682	3.08	1.60	0.52	717	3.04	1.58	0.52	738	2.94	1.53	0.52	760

**NOTE** Q :Total capacity (kW) SHF :Sensible heat factor DB :Dry-bulb temperature  
 SHC :Sensible heat capacity (kW) INPUT :Total power input (W) WB :Wet-bulb temperature

**PERFORMANCE DATA**

**COOL operation (230V)**

**MSC-A07WV -[E1] : MUH-A07WV -[E1]**

CAPACITY : 2.3(kW) SHF : 0.74 INPUT : 710(W)

		OUTDOOR DB(°C)											
INDOOR DB(°C)	INDOOR WB(°C)	35				40				43			
		Q	SHC	SHF	INPUT	Q	SHC	SHF	INPUT	Q	SHC	SHF	INPUT
21	18	2.25	1.26	0.56	696	2.07	1.16	0.56	738	1.99	1.11	0.56	753
21	20	2.37	1.04	0.44	724	2.21	0.97	0.44	760	2.13	0.94	0.44	781
22	18	2.25	1.35	0.60	696	2.07	1.24	0.60	738	1.99	1.19	0.60	753
22	20	2.37	1.14	0.48	724	2.21	1.06	0.48	760	2.13	1.02	0.48	781
22	22	2.51	0.90	0.36	753	2.35	0.84	0.36	795	2.27	0.82	0.36	809
23	18	2.25	1.44	0.64	696	2.07	1.32	0.64	738	1.99	1.27	0.64	753
23	20	2.37	1.23	0.52	724	2.21	1.15	0.52	760	2.13	1.11	0.52	781
23	22	2.51	1.00	0.40	753	2.35	0.94	0.40	795	2.27	0.91	0.40	809
24	18	2.25	1.53	0.68	696	2.07	1.41	0.68	738	1.99	1.35	0.68	753
24	20	2.37	1.33	0.56	724	2.21	1.24	0.56	760	2.13	1.19	0.56	781
24	22	2.51	1.10	0.44	753	2.35	1.03	0.44	795	2.27	1.00	0.44	809
24	24	2.65	0.85	0.32	781	2.48	0.79	0.32	817	2.42	0.77	0.32	834
25	18	2.25	1.62	0.72	696	2.07	1.49	0.72	738	1.99	1.43	0.72	753
25	20	2.37	1.42	0.60	724	2.21	1.32	0.60	760	2.13	1.28	0.60	781
25	22	2.51	1.20	0.48	753	2.35	1.13	0.48	795	2.27	1.09	0.48	809
25	24	2.65	0.95	0.36	781	2.48	0.89	0.36	817	2.42	0.87	0.36	834
26	18	2.25	1.71	0.76	696	2.07	1.57	0.76	738	1.99	1.51	0.76	753
26	20	2.37	1.52	0.64	724	2.21	1.41	0.64	760	2.13	1.36	0.64	781
26	22	2.51	1.30	0.52	753	2.35	1.22	0.52	795	2.27	1.18	0.52	809
26	24	2.65	1.06	0.40	781	2.48	0.99	0.40	817	2.42	0.97	0.40	834
26	26	2.78	0.78	0.28	809	2.62	0.73	0.28	845	2.54	0.71	0.28	863
27	18	2.25	1.80	0.80	696	2.07	1.66	0.80	738	1.99	1.59	0.80	753
27	20	2.37	1.61	0.68	724	2.21	1.50	0.68	760	2.13	1.45	0.68	781
27	22	2.51	1.40	0.56	753	2.35	1.31	0.56	795	2.27	1.27	0.56	809
27	24	2.65	1.16	0.44	781	2.48	1.09	0.44	817	2.42	1.06	0.44	834
27	26	2.78	0.89	0.32	809	2.62	0.84	0.32	845	2.54	0.81	0.32	863
28	18	2.25	1.89	0.84	696	2.07	1.74	0.84	738	1.99	1.67	0.84	753
28	20	2.37	1.71	0.72	724	2.21	1.59	0.72	760	2.13	1.53	0.72	781
28	22	2.51	1.50	0.60	753	2.35	1.41	0.60	795	2.27	1.36	0.60	809
28	24	2.65	1.27	0.48	781	2.48	1.19	0.48	817	2.42	1.16	0.48	834
28	26	2.78	1.00	0.36	809	2.62	0.94	0.36	845	2.54	0.91	0.36	863
29	18	2.25	1.98	0.88	696	2.07	1.82	0.88	738	1.99	1.75	0.88	753
29	20	2.37	1.80	0.76	724	2.21	1.68	0.76	760	2.13	1.62	0.76	781
29	22	2.51	1.60	0.64	753	2.35	1.50	0.64	795	2.27	1.45	0.64	809
29	24	2.65	1.38	0.52	781	2.48	1.29	0.52	817	2.42	1.26	0.52	834
29	26	2.78	1.11	0.40	809	2.62	1.05	0.40	845	2.54	1.02	0.40	863
30	18	2.25	2.07	0.92	696	2.07	1.90	0.92	738	1.99	1.83	0.92	753
30	20	2.37	1.90	0.80	724	2.21	1.77	0.80	760	2.13	1.70	0.80	781
30	22	2.51	1.70	0.68	753	2.35	1.60	0.68	795	2.27	1.54	0.68	809
30	24	2.65	1.48	0.56	781	2.48	1.39	0.56	817	2.42	1.35	0.56	834
30	26	2.78	1.22	0.44	809	2.62	1.15	0.44	845	2.54	1.12	0.44	863
31	18	2.25	2.16	0.96	696	2.07	1.99	0.96	738	1.99	1.91	0.96	753
31	20	2.37	1.99	0.84	724	2.21	1.85	0.84	760	2.13	1.79	0.84	781
31	22	2.51	1.81	0.72	753	2.35	1.69	0.72	795	2.27	1.63	0.72	809
31	24	2.65	1.59	0.60	781	2.48	1.49	0.60	817	2.42	1.45	0.60	834
31	26	2.78	1.34	0.48	809	2.62	1.26	0.48	845	2.54	1.22	0.48	863
32	18	2.25	2.25	1.00	696	2.07	2.07	1.00	738	1.99	1.99	1.00	753
32	20	2.37	2.08	0.88	724	2.21	1.94	0.88	760	2.13	1.87	0.88	781
32	22	2.51	1.91	0.76	753	2.35	1.78	0.76	795	2.27	1.72	0.76	809
32	24	2.65	1.69	0.64	781	2.48	1.59	0.64	817	2.42	1.55	0.64	834
32	26	2.78	1.45	0.52	809	2.62	1.36	0.52	845	2.54	1.32	0.52	863

**NOTE** Q :Total capacity (kW) SHF :Sensible heat factor DB :Dry-bulb temperature  
 SHC :Sensible heat capacity (kW) INPUT :Total power input (W) WB :Wet-bulb temperature

**PERFORMANCE DATA**  
**COOL operation (230V)**

**MSC-A09WV -[E1] : MUH-A09WV -[E1]**

CAPACITY : 2.55(kW) SHF : 0.70 INPUT : 780(W)

		OUTDOOR DB(°C)															
INDOOR DB(°C)	INDOOR WB(°C)	21				25				27				30			
		Q	SHC	SHF	INPUT	Q	SHC	SHF	INPUT	Q	SHC	SHF	INPUT	Q	SHC	SHF	INPUT
21	18	3.00	1.56	0.52	624	2.87	1.49	0.52	655	2.75	1.43	0.52	686	2.65	1.38	0.52	718
21	20	3.12	1.25	0.40	655	3.00	1.20	0.40	694	2.91	1.16	0.40	710	2.81	1.12	0.40	741
22	18	3.00	1.68	0.56	624	2.87	1.61	0.56	655	2.75	1.54	0.56	686	2.65	1.49	0.56	718
22	20	3.12	1.37	0.44	655	3.00	1.32	0.44	694	2.91	1.28	0.44	710	2.81	1.23	0.44	741
22	22	3.25	1.04	0.32	679	3.14	1.00	0.32	722	3.06	0.98	0.32	741	2.93	0.94	0.32	772
23	18	3.00	1.80	0.60	624	2.87	1.72	0.60	655	2.75	1.65	0.60	686	2.65	1.59	0.60	718
23	20	3.12	1.50	0.48	655	3.00	1.44	0.48	694	2.91	1.40	0.48	710	2.81	1.35	0.48	741
23	22	3.25	1.17	0.36	679	3.14	1.13	0.36	722	3.06	1.10	0.36	741	2.93	1.06	0.36	772
24	18	3.00	1.92	0.64	624	2.87	1.84	0.64	655	2.75	1.76	0.64	686	2.65	1.70	0.64	718
24	20	3.12	1.62	0.52	655	3.00	1.56	0.52	694	2.91	1.51	0.52	710	2.81	1.46	0.52	741
24	22	3.25	1.30	0.40	679	3.14	1.25	0.40	722	3.06	1.22	0.40	741	2.93	1.17	0.40	772
24	24	3.42	0.96	0.28	710	3.29	0.92	0.28	749	3.21	0.90	0.28	772	3.11	0.87	0.28	811
25	18	3.00	2.04	0.68	624	2.87	1.95	0.68	655	2.75	1.87	0.68	686	2.65	1.80	0.68	718
25	20	3.12	1.75	0.56	655	3.00	1.68	0.56	694	2.91	1.63	0.56	710	2.81	1.57	0.56	741
25	22	3.25	1.43	0.44	679	3.14	1.38	0.44	722	3.06	1.35	0.44	741	2.93	1.29	0.44	772
25	24	3.42	1.09	0.32	710	3.29	1.05	0.32	749	3.21	1.03	0.32	772	3.11	1.00	0.32	811
26	18	3.00	2.16	0.72	624	2.87	2.07	0.72	655	2.75	1.98	0.72	686	2.65	1.91	0.72	718
26	20	3.12	1.87	0.60	655	3.00	1.80	0.60	694	2.91	1.74	0.60	710	2.81	1.68	0.60	741
26	22	3.25	1.56	0.48	679	3.14	1.51	0.48	722	3.06	1.47	0.48	741	2.93	1.41	0.48	772
26	24	3.42	1.23	0.36	710	3.29	1.18	0.36	749	3.21	1.16	0.36	772	3.11	1.12	0.36	811
26	26	3.52	0.84	0.24	749	3.42	0.82	0.24	788	3.37	0.81	0.24	811	3.26	0.78	0.24	835
27	18	3.00	2.28	0.76	624	2.87	2.18	0.76	655	2.75	2.09	0.76	686	2.65	2.02	0.76	718
27	20	3.12	2.00	0.64	655	3.00	1.92	0.64	694	2.91	1.86	0.64	710	2.81	1.80	0.64	741
27	22	3.25	1.69	0.52	679	3.14	1.63	0.52	722	3.06	1.59	0.52	741	2.93	1.52	0.52	772
27	24	3.42	1.37	0.40	710	3.29	1.32	0.40	749	3.21	1.29	0.40	772	3.11	1.24	0.40	811
27	26	3.52	0.99	0.28	749	3.42	0.96	0.28	788	3.37	0.94	0.28	811	3.26	0.91	0.28	835
28	18	3.00	2.40	0.80	624	2.87	2.30	0.80	655	2.75	2.20	0.80	686	2.65	2.12	0.80	718
28	20	3.12	2.12	0.68	655	3.00	2.04	0.68	694	2.91	1.98	0.68	710	2.81	1.91	0.68	741
28	22	3.25	1.82	0.56	679	3.14	1.76	0.56	722	3.06	1.71	0.56	741	2.93	1.64	0.56	772
28	24	3.42	1.50	0.44	710	3.29	1.45	0.44	749	3.21	1.41	0.44	772	3.11	1.37	0.44	811
28	26	3.52	1.13	0.32	749	3.42	1.09	0.32	788	3.37	1.08	0.32	811	3.26	1.04	0.32	835
29	18	3.00	2.52	0.84	624	2.87	2.41	0.84	655	2.75	2.31	0.84	686	2.65	2.23	0.84	718
29	20	3.12	2.25	0.72	655	3.00	2.16	0.72	694	2.91	2.09	0.72	710	2.81	2.02	0.72	741
29	22	3.25	1.95	0.60	679	3.14	1.88	0.60	722	3.06	1.84	0.60	741	2.93	1.76	0.60	772
29	24	3.42	1.64	0.48	710	3.29	1.58	0.48	749	3.21	1.54	0.48	772	3.11	1.49	0.48	811
29	26	3.52	1.27	0.36	749	3.42	1.23	0.36	788	3.37	1.21	0.36	811	3.26	1.18	0.36	835
30	18	3.00	2.64	0.88	624	2.87	2.52	0.88	655	2.75	2.42	0.88	686	2.65	2.33	0.88	718
30	20	3.12	2.37	0.76	655	3.00	2.28	0.76	694	2.91	2.21	0.76	710	2.81	2.13	0.76	741
30	22	3.25	2.08	0.64	679	3.14	2.01	0.64	722	3.06	1.96	0.64	741	2.93	1.88	0.64	772
30	24	3.42	1.78	0.52	710	3.29	1.71	0.52	749	3.21	1.67	0.52	772	3.11	1.62	0.52	811
30	26	3.52	1.41	0.40	749	3.42	1.37	0.40	788	3.37	1.35	0.40	811	3.26	1.31	0.40	835
31	18	3.00	2.76	0.92	624	2.87	2.64	0.92	655	2.75	2.53	0.92	686	2.65	2.44	0.92	718
31	20	3.12	2.50	0.80	655	3.00	2.40	0.80	694	2.91	2.33	0.80	710	2.81	2.24	0.80	741
31	22	3.25	2.21	0.68	679	3.14	2.13	0.68	722	3.06	2.08	0.68	741	2.93	1.99	0.68	772
31	24	3.42	1.91	0.56	710	3.29	1.84	0.56	749	3.21	1.80	0.56	772	3.11	1.74	0.56	811
31	26	3.52	1.55	0.44	749	3.42	1.50	0.44	788	3.37	1.48	0.44	811	3.26	1.44	0.44	835
32	18	3.00	2.88	0.96	624	2.87	2.75	0.96	655	2.75	2.64	0.96	686	2.65	2.55	0.96	718
32	20	3.12	2.62	0.84	655	3.00	2.52	0.84	694	2.91	2.44	0.84	710	2.81	2.36	0.84	741
32	22	3.25	2.34	0.72	679	3.14	2.26	0.72	722	3.06	2.20	0.72	741	2.93	2.11	0.72	772
32	24	3.42	2.05	0.60	710	3.29	1.97	0.60	749	3.21	1.93	0.60	772	3.11	1.87	0.60	811
32	26	3.52	1.69	0.48	749	3.42	1.64	0.48	788	3.37	1.62	0.48	811	3.26	1.57	0.48	835

**NOTE** Q :Total capacity (kW) SHF :Sensible heat factor DB :Dry-bulb temperature  
 SHC :Sensible heat capacity (kW) INPUT :Total power input (W) WB :Wet-bulb temperature

**PERFORMANCE DATA**  
**COOL operation (230V)**

**MSC-A09WV -[E1] : MUH-A09WV -[E1]**

CAPACITY : 2.55(kW) SHF : 0.70 INPUT : 780(W)

INDOOR DB(°C)	INDOOR WB(°C)	OUTDOOR DB(°C)											
		35				40				43			
		Q	SHC	SHF	INPUT	Q	SHC	SHF	INPUT	Q	SHC	SHF	INPUT
21	18	2.50	1.30	0.52	764	2.30	1.19	0.52	811	2.21	1.15	0.52	827
21	20	2.63	1.05	0.40	796	2.45	0.98	0.40	835	2.36	0.94	0.40	858
22	18	2.50	1.40	0.56	764	2.30	1.29	0.56	811	2.21	1.24	0.56	827
22	20	2.63	1.16	0.44	796	2.45	1.08	0.44	835	2.36	1.04	0.44	858
22	22	2.78	0.89	0.32	827	2.60	0.83	0.32	874	2.51	0.80	0.32	889
23	18	2.50	1.50	0.60	764	2.30	1.38	0.60	811	2.21	1.32	0.60	827
23	20	2.63	1.26	0.48	796	2.45	1.18	0.48	835	2.36	1.13	0.48	858
23	22	2.78	1.00	0.36	827	2.60	0.94	0.36	874	2.51	0.90	0.36	889
24	18	2.50	1.60	0.64	764	2.30	1.47	0.64	811	2.21	1.41	0.64	827
24	20	2.63	1.37	0.52	796	2.45	1.27	0.52	835	2.36	1.23	0.52	858
24	22	2.78	1.11	0.40	827	2.60	1.04	0.40	874	2.51	1.00	0.40	889
24	24	2.93	0.82	0.28	858	2.75	0.77	0.28	897	2.68	0.75	0.28	917
25	18	2.50	1.70	0.68	764	2.30	1.56	0.68	811	2.21	1.50	0.68	827
25	20	2.63	1.47	0.56	796	2.45	1.37	0.56	835	2.36	1.32	0.56	858
25	22	2.78	1.22	0.44	827	2.60	1.14	0.44	874	2.51	1.11	0.44	889
25	24	2.93	0.94	0.32	858	2.75	0.88	0.32	897	2.68	0.86	0.32	917
26	18	2.50	1.80	0.72	764	2.30	1.65	0.72	811	2.21	1.59	0.72	827
26	20	2.63	1.58	0.60	796	2.45	1.47	0.60	835	2.36	1.42	0.60	858
26	22	2.78	1.33	0.48	827	2.60	1.25	0.48	874	2.51	1.21	0.48	889
26	24	2.93	1.06	0.36	858	2.75	0.99	0.36	897	2.68	0.96	0.36	917
26	26	3.09	0.74	0.24	889	2.91	0.70	0.24	928	2.82	0.68	0.24	948
27	18	2.50	1.90	0.76	764	2.30	1.74	0.76	811	2.21	1.68	0.76	827
27	20	2.63	1.68	0.64	796	2.45	1.57	0.64	835	2.36	1.51	0.64	858
27	22	2.78	1.45	0.52	827	2.60	1.35	0.52	874	2.51	1.31	0.52	889
27	24	2.93	1.17	0.40	858	2.75	1.10	0.40	897	2.68	1.07	0.40	917
27	26	3.09	0.86	0.28	889	2.91	0.81	0.28	928	2.82	0.79	0.28	948
28	18	2.50	2.00	0.80	764	2.30	1.84	0.80	811	2.21	1.76	0.80	827
28	20	2.63	1.79	0.68	796	2.45	1.66	0.68	835	2.36	1.60	0.68	858
28	22	2.78	1.56	0.56	827	2.60	1.46	0.56	874	2.51	1.41	0.56	889
28	24	2.93	1.29	0.44	858	2.75	1.21	0.44	897	2.68	1.18	0.44	917
28	26	3.09	0.99	0.32	889	2.91	0.93	0.32	928	2.82	0.90	0.32	948
29	18	2.50	2.10	0.84	764	2.30	1.93	0.84	811	2.21	1.85	0.84	827
29	20	2.63	1.89	0.72	796	2.45	1.76	0.72	835	2.36	1.70	0.72	858
29	22	2.78	1.67	0.60	827	2.60	1.56	0.60	874	2.51	1.51	0.60	889
29	24	2.93	1.41	0.48	858	2.75	1.32	0.48	897	2.68	1.29	0.48	917
29	26	3.09	1.11	0.36	889	2.91	1.05	0.36	928	2.82	1.01	0.36	948
30	18	2.50	2.20	0.88	764	2.30	2.02	0.88	811	2.21	1.94	0.88	827
30	20	2.63	2.00	0.76	796	2.45	1.86	0.76	835	2.36	1.79	0.76	858
30	22	2.78	1.78	0.64	827	2.60	1.66	0.64	874	2.51	1.61	0.64	889
30	24	2.93	1.52	0.52	858	2.75	1.43	0.52	897	2.68	1.39	0.52	917
30	26	3.09	1.23	0.40	889	2.91	1.16	0.40	928	2.82	1.13	0.40	948
31	18	2.50	2.30	0.92	764	2.30	2.11	0.92	811	2.21	2.03	0.92	827
31	20	2.63	2.10	0.80	796	2.45	1.96	0.80	835	2.36	1.89	0.80	858
31	22	2.78	1.89	0.68	827	2.60	1.77	0.68	874	2.51	1.71	0.68	889
31	24	2.93	1.64	0.56	858	2.75	1.54	0.56	897	2.68	1.50	0.56	917
31	26	3.09	1.36	0.44	889	2.91	1.28	0.44	928	2.82	1.24	0.44	948
32	18	2.50	2.40	0.96	764	2.30	2.20	0.96	811	2.21	2.12	0.96	827
32	20	2.63	2.21	0.84	796	2.45	2.06	0.84	835	2.36	1.98	0.84	858
32	22	2.78	2.00	0.72	827	2.60	1.87	0.72	874	2.51	1.81	0.72	889
32	24	2.93	1.76	0.60	858	2.75	1.65	0.60	897	2.68	1.61	0.60	917
32	26	3.09	1.48	0.48	889	2.91	1.40	0.48	928	2.82	1.35	0.48	948

**NOTE** Q :Total capacity (kW) SHF :Sensible heat factor DB :Dry-bulb temperature  
 SHC :Sensible heat capacity (kW) INPUT :Total power input (W) WB :Wet-bulb temperature

**PERFORMANCE DATA**  
**COOL operation (230V)**

**MSC-A12WV -[E1] : MUH-A12WV -[E1]**

CAPACITY : 3.40(kW) SHF : 0.67 INPUT : 1060(W)

		OUTDOOR DB(°C)															
INDOOR DB(°C)	INDOOR WB(°C)	21				25				27				30			
		Q	SHC	SHF	INPUT	Q	SHC	SHF	INPUT	Q	SHC	SHF	INPUT	Q	SHC	SHF	INPUT
21	18	4.00	1.96	0.49	848	3.83	1.87	0.49	890	3.67	1.80	0.49	933	3.54	1.73	0.49	975
21	20	4.17	1.54	0.37	890	4.00	1.48	0.37	943	3.88	1.43	0.37	965	3.74	1.38	0.37	1007
22	18	4.00	2.12	0.53	848	3.83	2.03	0.53	890	3.67	1.95	0.53	933	3.54	1.87	0.53	975
22	20	4.17	1.71	0.41	890	4.00	1.64	0.41	943	3.88	1.59	0.41	965	3.74	1.53	0.41	1007
22	22	4.34	1.26	0.29	922	4.18	1.21	0.29	981	4.08	1.18	0.29	1007	3.91	1.13	0.29	1049
23	18	4.00	2.28	0.57	848	3.83	2.18	0.57	890	3.67	2.09	0.57	933	3.54	2.02	0.57	975
23	20	4.17	1.87	0.45	890	4.00	1.80	0.45	943	3.88	1.74	0.45	965	3.74	1.68	0.45	1007
23	22	4.34	1.43	0.33	922	4.18	1.38	0.33	981	4.08	1.35	0.33	1007	3.91	1.29	0.33	1049
24	18	4.00	2.44	0.61	848	3.83	2.33	0.61	890	3.67	2.24	0.61	933	3.54	2.16	0.61	975
24	20	4.17	2.04	0.49	890	4.00	1.96	0.49	943	3.88	1.90	0.49	965	3.74	1.83	0.49	1007
24	22	4.34	1.60	0.37	922	4.18	1.55	0.37	981	4.08	1.51	0.37	1007	3.91	1.45	0.37	1049
24	24	4.56	1.14	0.25	965	4.39	1.10	0.25	1018	4.28	1.07	0.25	1049	4.15	1.04	0.25	1102
25	18	4.00	2.60	0.65	848	3.83	2.49	0.65	890	3.67	2.39	0.65	933	3.54	2.30	0.65	975
25	20	4.17	2.21	0.53	890	4.00	2.12	0.53	943	3.88	2.05	0.53	965	3.74	1.98	0.53	1007
25	22	4.34	1.78	0.41	922	4.18	1.71	0.41	981	4.08	1.67	0.41	1007	3.91	1.60	0.41	1049
25	24	4.56	1.32	0.29	965	4.39	1.27	0.29	1018	4.28	1.24	0.29	1049	4.15	1.20	0.29	1102
26	18	4.00	2.76	0.69	848	3.83	2.64	0.69	890	3.67	2.53	0.69	933	3.54	2.44	0.69	975
26	20	4.17	2.37	0.57	890	4.00	2.28	0.57	943	3.88	2.21	0.57	965	3.74	2.13	0.57	1007
26	22	4.34	1.95	0.45	922	4.18	1.88	0.45	981	4.08	1.84	0.45	1007	3.91	1.76	0.45	1049
26	24	4.56	1.50	0.33	965	4.39	1.45	0.33	1018	4.28	1.41	0.33	1049	4.15	1.37	0.33	1102
26	26	4.69	0.99	0.21	1018	4.56	0.96	0.21	1071	4.49	0.94	0.21	1102	4.35	0.91	0.21	1134
27	18	4.00	2.92	0.73	848	3.83	2.79	0.73	890	3.67	2.68	0.73	933	3.54	2.58	0.73	975
27	20	4.17	2.54	0.61	890	4.00	2.44	0.61	943	3.88	2.36	0.61	965	3.74	2.28	0.61	1007
27	22	4.34	2.12	0.49	922	4.18	2.05	0.49	981	4.08	2.00	0.49	1007	3.91	1.92	0.49	1049
27	24	4.56	1.69	0.37	965	4.39	1.62	0.37	1018	4.28	1.59	0.37	1049	4.15	1.53	0.37	1102
27	26	4.69	1.17	0.25	1018	4.56	1.14	0.25	1071	4.49	1.12	0.25	1102	4.35	1.09	0.25	1134
28	18	4.00	3.08	0.77	848	3.83	2.95	0.77	890	3.67	2.83	0.77	933	3.54	2.72	0.77	975
28	20	4.17	2.71	0.65	890	4.00	2.60	0.65	943	3.88	2.52	0.65	965	3.74	2.43	0.65	1007
28	22	4.34	2.30	0.53	922	4.18	2.22	0.53	981	4.08	2.16	0.53	1007	3.91	2.07	0.53	1049
28	24	4.56	1.87	0.41	965	4.39	1.80	0.41	1018	4.28	1.76	0.41	1049	4.15	1.70	0.41	1102
28	26	4.69	1.36	0.29	1018	4.56	1.32	0.29	1071	4.49	1.30	0.29	1102	4.35	1.26	0.29	1134
29	18	4.00	3.24	0.81	848	3.83	3.10	0.81	890	3.67	2.97	0.81	933	3.54	2.86	0.81	975
29	20	4.17	2.87	0.69	890	4.00	2.76	0.69	943	3.88	2.67	0.69	965	3.74	2.58	0.69	1007
29	22	4.34	2.47	0.57	922	4.18	2.38	0.57	981	4.08	2.33	0.57	1007	3.91	2.23	0.57	1049
29	24	4.56	2.05	0.45	965	4.39	1.97	0.45	1018	4.28	1.93	0.45	1049	4.15	1.87	0.45	1102
29	26	4.69	1.55	0.33	1018	4.56	1.50	0.33	1071	4.49	1.48	0.33	1102	4.35	1.44	0.33	1134
30	18	4.00	3.40	0.85	848	3.83	3.25	0.85	890	3.67	3.12	0.85	933	3.54	3.01	0.85	975
30	20	4.17	3.04	0.73	890	4.00	2.92	0.73	943	3.88	2.83	0.73	965	3.74	2.73	0.73	1007
30	22	4.34	2.64	0.61	922	4.18	2.55	0.61	981	4.08	2.49	0.61	1007	3.91	2.39	0.61	1049
30	24	4.56	2.23	0.49	965	4.39	2.15	0.49	1018	4.28	2.10	0.49	1049	4.15	2.03	0.49	1102
30	26	4.69	1.74	0.37	1018	4.56	1.69	0.37	1071	4.49	1.66	0.37	1102	4.35	1.61	0.37	1134
31	18	4.00	3.56	0.89	848	3.83	3.40	0.89	890	3.67	3.27	0.89	933	3.54	3.15	0.89	975
31	20	4.17	3.21	0.77	890	4.00	3.08	0.77	943	3.88	2.98	0.77	965	3.74	2.88	0.77	1007
31	22	4.34	2.82	0.65	922	4.18	2.72	0.65	981	4.08	2.65	0.65	1007	3.91	2.54	0.65	1049
31	24	4.56	2.41	0.53	965	4.39	2.32	0.53	1018	4.28	2.27	0.53	1049	4.15	2.20	0.53	1102
31	26	4.69	1.92	0.41	1018	4.56	1.87	0.41	1071	4.49	1.84	0.41	1102	4.35	1.78	0.41	1134
32	18	4.00	3.72	0.93	848	3.83	3.56	0.93	890	3.67	3.41	0.93	933	3.54	3.29	0.93	975
32	20	4.17	3.37	0.81	890	4.00	3.24	0.81	943	3.88	3.14	0.81	965	3.74	3.03	0.81	1007
32	22	4.34	2.99	0.69	922	4.18	2.89	0.69	981	4.08	2.82	0.69	1007	3.91	2.70	0.69	1049
32	24	4.56	2.60	0.57	965	4.39	2.50	0.57	1018	4.28	2.44	0.57	1049	4.15	2.36	0.57	1102
32	26	4.69	2.11	0.45	1018	4.56	2.05	0.45	1071	4.49	2.02	0.45	1102	4.35	1.96	0.45	1134

**NOTE** Q :Total capacity (kW) SHF :Sensible heat factor DB :Dry-bulb temperature  
 SHC :Sensible heat capacity (kW) INPUT :Total power input (W) WB :Wet-bulb temperature



**PERFORMANCE DATA**  
**COOL operation (230V)**

**MSC-A12WV -[E1] : MUH-A12WV -[E1]**

CAPACITY : 3.40(kW) SHF : 0.67 INPUT : 1060(W)

		OUTDOOR DB(°C)											
INDOOR DB(°C)	INDOOR WB(°C)	35				40				43			
		Q	SHC	SHF	INPUT	Q	SHC	SHF	INPUT	Q	SHC	SHF	INPUT
21	18	3.33	1.63	0.49	1039	3.06	1.50	0.49	1102	2.94	1.44	0.49	1124
21	20	3.50	1.30	0.37	1081	3.26	1.21	0.37	1134	3.15	1.16	0.37	1166
22	18	3.33	1.77	0.53	1039	3.06	1.62	0.53	1102	2.94	1.56	0.53	1124
22	20	3.50	1.44	0.41	1081	3.26	1.34	0.41	1134	3.15	1.29	0.41	1166
22	22	3.71	1.07	0.29	1124	3.47	1.01	0.29	1187	3.35	0.97	0.29	1208
23	18	3.33	1.90	0.57	1039	3.06	1.74	0.57	1102	2.94	1.68	0.57	1124
23	20	3.50	1.58	0.45	1081	3.26	1.47	0.45	1134	3.15	1.42	0.45	1166
23	22	3.71	1.22	0.33	1124	3.47	1.14	0.33	1187	3.35	1.11	0.33	1208
24	18	3.33	2.03	0.61	1039	3.06	1.87	0.61	1102	2.94	1.79	0.61	1124
24	20	3.50	1.72	0.49	1081	3.26	1.60	0.49	1134	3.15	1.54	0.49	1166
24	22	3.71	1.37	0.37	1124	3.47	1.28	0.37	1187	3.35	1.24	0.37	1208
24	24	3.91	0.98	0.25	1166	3.67	0.92	0.25	1219	3.57	0.89	0.25	1246
25	18	3.33	2.17	0.65	1039	3.06	1.99	0.65	1102	2.94	1.91	0.65	1124
25	20	3.50	1.86	0.53	1081	3.26	1.73	0.53	1134	3.15	1.67	0.53	1166
25	22	3.71	1.52	0.41	1124	3.47	1.42	0.41	1187	3.35	1.37	0.41	1208
25	24	3.91	1.13	0.29	1166	3.67	1.06	0.29	1219	3.57	1.04	0.29	1246
26	18	3.33	2.30	0.69	1039	3.06	2.11	0.69	1102	2.94	2.03	0.69	1124
26	20	3.50	2.00	0.57	1081	3.26	1.86	0.57	1134	3.15	1.79	0.57	1166
26	22	3.71	1.67	0.45	1124	3.47	1.56	0.45	1187	3.35	1.51	0.45	1208
26	24	3.91	1.29	0.33	1166	3.67	1.21	0.33	1219	3.57	1.18	0.33	1246
26	26	4.11	0.86	0.21	1208	3.88	0.81	0.21	1261	3.76	0.79	0.21	1288
27	18	3.33	2.43	0.73	1039	3.06	2.23	0.73	1102	2.94	2.15	0.73	1124
27	20	3.50	2.14	0.61	1081	3.26	1.99	0.61	1134	3.15	1.92	0.61	1166
27	22	3.71	1.82	0.49	1124	3.47	1.70	0.49	1187	3.35	1.64	0.49	1208
27	24	3.91	1.45	0.37	1166	3.67	1.36	0.37	1219	3.57	1.32	0.37	1246
27	26	4.11	1.03	0.25	1208	3.88	0.97	0.25	1261	3.76	0.94	0.25	1288
28	18	3.33	2.57	0.77	1039	3.06	2.36	0.77	1102	2.94	2.26	0.77	1124
28	20	3.50	2.28	0.65	1081	3.26	2.12	0.65	1134	3.15	2.04	0.65	1166
28	22	3.71	1.96	0.53	1124	3.47	1.84	0.53	1187	3.35	1.77	0.53	1208
28	24	3.91	1.60	0.41	1166	3.67	1.51	0.41	1219	3.57	1.46	0.41	1246
28	26	4.11	1.19	0.29	1208	3.88	1.12	0.29	1261	3.76	1.09	0.29	1288
29	18	3.33	2.70	0.81	1039	3.06	2.48	0.81	1102	2.94	2.38	0.81	1124
29	20	3.50	2.42	0.69	1081	3.26	2.25	0.69	1134	3.15	2.17	0.69	1166
29	22	3.71	2.11	0.57	1124	3.47	1.98	0.57	1187	3.35	1.91	0.57	1208
29	24	3.91	1.76	0.45	1166	3.67	1.65	0.45	1219	3.57	1.61	0.45	1246
29	26	4.11	1.36	0.33	1208	3.88	1.28	0.33	1261	3.76	1.24	0.33	1288
30	18	3.33	2.83	0.85	1039	3.06	2.60	0.85	1102	2.94	2.50	0.85	1124
30	20	3.50	2.56	0.73	1081	3.26	2.38	0.73	1134	3.15	2.30	0.73	1166
30	22	3.71	2.26	0.61	1124	3.47	2.12	0.61	1187	3.35	2.04	0.61	1208
30	24	3.91	1.92	0.49	1166	3.67	1.80	0.49	1219	3.57	1.75	0.49	1246
30	26	4.11	1.52	0.37	1208	3.88	1.43	0.37	1261	3.76	1.39	0.37	1288
31	18	3.33	2.97	0.89	1039	3.06	2.72	0.89	1102	2.94	2.62	0.89	1124
31	20	3.50	2.70	0.77	1081	3.26	2.51	0.77	1134	3.15	2.42	0.77	1166
31	22	3.71	2.41	0.65	1124	3.47	2.25	0.65	1187	3.35	2.18	0.65	1208
31	24	3.91	2.07	0.53	1166	3.67	1.95	0.53	1219	3.57	1.89	0.53	1246
31	26	4.11	1.69	0.41	1208	3.88	1.59	0.41	1261	3.76	1.54	0.41	1288
32	18	3.33	3.10	0.93	1039	3.06	2.85	0.93	1102	2.94	2.74	0.93	1124
32	20	3.50	2.84	0.81	1081	3.26	2.64	0.81	1134	3.15	2.55	0.81	1166
32	22	3.71	2.56	0.69	1124	3.47	2.39	0.69	1187	3.35	2.31	0.69	1208
32	24	3.91	2.23	0.57	1166	3.67	2.09	0.57	1219	3.57	2.03	0.57	1246
32	26	4.11	1.85	0.45	1208	3.88	1.74	0.45	1261	3.76	1.69	0.45	1288

**NOTE** Q :Total capacity (kW) SHF :Sensible heat factor DB :Dry-bulb temperature  
 SHC :Sensible heat capacity (kW) INPUT :Total power input (W) WB :Wet-bulb temperature

**PERFORMANCE DATA**

**HEAT operation (230V)**

**MSC-A07WV -[E1] : MUH-A07WV -[E1]**

CAPACITY : 2.5 kW INPUT : 690 W

INDOOR DB(°C)	OUTDOOR WB(°C)													
	-10		-5		0		5		10		15		20	
	Q	INPUT	Q	INPUT	Q	INPUT	Q	INPUT	Q	INPUT	Q	INPUT	Q	INPUT
15	1.58	449	1.90	538	2.23	607	2.55	656	2.88	697	3.18	718	3.50	731
21	1.50	483	1.80	573	2.13	635	2.43	683	2.75	718	3.05	738	3.36	766
26	1.35	518	1.68	607	1.98	669	2.30	718	2.63	752	2.93	773	3.25	794

**MSC-A09WV -[E1] : MUH-A09WV -[E1]**

CAPACITY : 3.05 kW INPUT : 840 W

INDOOR DB(°C)	OUTDOOR WB(°C)													
	-10		-5		0		5		10		15		20	
	Q	INPUT	Q	INPUT	Q	INPUT	Q	INPUT	Q	INPUT	Q	INPUT	Q	INPUT
15	1.92	546	2.32	655	2.71	739	3.11	798	3.51	848	3.87	874	4.27	890
21	1.83	588	2.20	697	2.59	773	2.96	832	3.36	874	3.72	899	4.10	932
26	1.65	630	2.04	739	2.41	815	2.81	874	3.20	916	3.57	941	3.97	966

**MSC-A12WV -[E1] : MUH-A12WV -[E1]**

CAPACITY : 3.9 kW INPUT : 1080 W

INDOOR DB(°C)	OUTDOOR WB(°C)													
	-10		-5		0		5		10		15		20	
	Q	INPUT	Q	INPUT	Q	INPUT	Q	INPUT	Q	INPUT	Q	INPUT	Q	INPUT
15	2.46	702	2.96	842	3.47	950	3.98	1026	4.49	1091	4.95	1123	5.46	1145
21	2.34	756	2.81	896	3.32	994	3.78	1069	4.29	1123	4.76	1156	5.25	1199
26	2.11	810	2.61	950	3.08	1048	3.59	1123	4.10	1177	4.56	1210	5.07	1242

**NOTE** Q:Total capacity (kW) INPUT:Total power input (W) DB:Dry-bulb temperature WB:Wet-bulb temperature

**PERFORMANCE DATA**

**COOL operation (230V)**

**MSC-A07WV -[E1] MSC-A07YV -[E1](Single) : MUX-A10WV -[E1]**

CAPACITY : 2.4(kW) SHF : 0.74 INPUT : 760(W)

		OUTDOOR DB(°C)															
INDOOR DB(°C)	INDOOR WB(°C)	21				25				27				30			
		Q	SHC	SHF	INPUT	Q	SHC	SHF	INPUT	Q	SHC	SHF	INPUT	Q	SHC	SHF	INPUT
21	18	2.82	1.58	0.56	608	2.70	1.51	0.56	638	2.59	1.45	0.56	669	2.50	1.40	0.56	699
21	20	2.94	1.29	0.44	638	2.82	1.24	0.44	676	2.74	1.20	0.44	692	2.64	1.16	0.44	722
22	18	2.82	1.69	0.60	608	2.70	1.62	0.60	638	2.59	1.56	0.60	669	2.50	1.50	0.60	699
22	20	2.94	1.41	0.48	638	2.82	1.35	0.48	676	2.74	1.31	0.48	692	2.64	1.27	0.48	722
22	22	3.06	1.10	0.36	661	2.95	1.06	0.36	703	2.88	1.04	0.36	722	2.76	0.99	0.36	752
23	18	2.82	1.80	0.64	608	2.70	1.73	0.64	638	2.59	1.66	0.64	669	2.50	1.60	0.64	699
23	20	2.94	1.53	0.52	638	2.82	1.47	0.52	676	2.74	1.42	0.52	692	2.64	1.37	0.52	722
23	22	3.06	1.22	0.40	661	2.95	1.18	0.40	703	2.88	1.15	0.40	722	2.76	1.10	0.40	752
24	18	2.82	1.92	0.68	608	2.70	1.84	0.68	638	2.59	1.76	0.68	669	2.50	1.70	0.68	699
24	20	2.94	1.65	0.56	638	2.82	1.58	0.56	676	2.74	1.53	0.56	692	2.64	1.48	0.56	722
24	22	3.06	1.35	0.44	661	2.95	1.30	0.44	703	2.88	1.27	0.44	722	2.76	1.21	0.44	752
24	24	3.22	1.03	0.32	692	3.10	0.99	0.32	730	3.02	0.97	0.32	752	2.93	0.94	0.32	790
25	18	2.82	2.03	0.72	608	2.70	1.94	0.72	638	2.59	1.87	0.72	669	2.50	1.80	0.72	699
25	20	2.94	1.76	0.60	638	2.82	1.69	0.60	676	2.74	1.64	0.60	692	2.64	1.58	0.60	722
25	22	3.06	1.47	0.48	661	2.95	1.42	0.48	703	2.88	1.38	0.48	722	2.76	1.32	0.48	752
25	24	3.22	1.16	0.36	692	3.10	1.11	0.36	730	3.02	1.09	0.36	752	2.93	1.05	0.36	790
26	18	2.82	2.14	0.76	608	2.70	2.05	0.76	638	2.59	1.97	0.76	669	2.50	1.90	0.76	699
26	20	2.94	1.88	0.64	638	2.82	1.80	0.64	676	2.74	1.75	0.64	692	2.64	1.69	0.64	722
26	22	3.06	1.59	0.52	661	2.95	1.54	0.52	703	2.88	1.50	0.52	722	2.76	1.44	0.52	752
26	24	3.22	1.29	0.40	692	3.10	1.24	0.40	730	3.02	1.21	0.40	752	2.93	1.17	0.40	790
26	26	3.31	0.93	0.28	730	3.22	0.90	0.28	768	3.17	0.89	0.28	790	3.07	0.86	0.28	813
27	18	2.82	2.26	0.80	608	2.70	2.16	0.80	638	2.59	2.07	0.80	669	2.50	2.00	0.80	699
27	20	2.94	2.00	0.68	638	2.82	1.92	0.68	676	2.74	1.86	0.68	692	2.64	1.80	0.68	722
27	22	3.06	1.71	0.56	661	2.95	1.65	0.56	703	2.88	1.61	0.56	722	2.76	1.55	0.56	752
27	24	3.22	1.42	0.44	692	3.10	1.36	0.44	730	3.02	1.33	0.44	752	2.93	1.29	0.44	790
27	26	3.31	1.06	0.32	730	3.22	1.03	0.32	768	3.17	1.01	0.32	790	3.07	0.98	0.32	813
28	18	2.82	2.37	0.84	608	2.70	2.27	0.84	638	2.59	2.18	0.84	669	2.50	2.10	0.84	699
28	20	2.94	2.12	0.72	638	2.82	2.03	0.72	676	2.74	1.97	0.72	692	2.64	1.90	0.72	722
28	22	3.06	1.84	0.60	661	2.95	1.77	0.60	703	2.88	1.73	0.60	722	2.76	1.66	0.60	752
28	24	3.22	1.54	0.48	692	3.10	1.49	0.48	730	3.02	1.45	0.48	752	2.93	1.41	0.48	790
28	26	3.31	1.19	0.36	730	3.22	1.16	0.36	768	3.17	1.14	0.36	790	3.07	1.11	0.36	813
29	18	2.82	2.48	0.88	608	2.70	2.38	0.88	638	2.59	2.28	0.88	669	2.50	2.20	0.88	699
29	20	2.94	2.23	0.76	638	2.82	2.14	0.76	676	2.74	2.08	0.76	692	2.64	2.01	0.76	722
29	22	3.06	1.96	0.64	661	2.95	1.89	0.64	703	2.88	1.84	0.64	722	2.76	1.77	0.64	752
29	24	3.22	1.67	0.52	692	3.10	1.61	0.52	730	3.02	1.57	0.52	752	2.93	1.52	0.52	790
29	26	3.31	1.32	0.40	730	3.22	1.29	0.40	768	3.17	1.27	0.40	790	3.07	1.23	0.40	813
30	18	2.82	2.59	0.92	608	2.70	2.48	0.92	638	2.59	2.38	0.92	669	2.50	2.30	0.92	699
30	20	2.94	2.35	0.80	638	2.82	2.26	0.80	676	2.74	2.19	0.80	692	2.64	2.11	0.80	722
30	22	3.06	2.08	0.68	661	2.95	2.01	0.68	703	2.88	1.96	0.68	722	2.76	1.88	0.68	752
30	24	3.22	1.80	0.56	692	3.10	1.73	0.56	730	3.02	1.69	0.56	752	2.93	1.64	0.56	790
30	26	3.31	1.46	0.44	730	3.22	1.42	0.44	768	3.17	1.39	0.44	790	3.07	1.35	0.44	813
31	18	2.82	2.71	0.96	608	2.70	2.59	0.96	638	2.59	2.49	0.96	669	2.50	2.40	0.96	699
31	20	2.94	2.47	0.84	638	2.82	2.37	0.84	676	2.74	2.30	0.84	692	2.64	2.22	0.84	722
31	22	3.06	2.20	0.72	661	2.95	2.13	0.72	703	2.88	2.07	0.72	722	2.76	1.99	0.72	752
31	24	3.22	1.93	0.60	692	3.10	1.86	0.60	730	3.02	1.81	0.60	752	2.93	1.76	0.60	790
31	26	3.31	1.59	0.48	730	3.22	1.54	0.48	768	3.17	1.52	0.48	790	3.07	1.47	0.48	813
32	18	2.82	2.82	1.00	608	2.70	2.70	1.00	638	2.59	2.59	1.00	669	2.50	2.50	1.00	699
32	20	2.94	2.59	0.88	638	2.82	2.48	0.88	676	2.74	2.41	0.88	692	2.64	2.32	0.88	722
32	22	3.06	2.33	0.76	661	2.95	2.24	0.76	703	2.88	2.19	0.76	722	2.76	2.10	0.76	752
32	24	3.22	2.06	0.64	692	3.10	1.98	0.64	730	3.02	1.94	0.64	752	2.93	1.87	0.64	790
32	26	3.31	1.72	0.52	730	3.22	1.67	0.52	768	3.17	1.65	0.52	790	3.07	1.60	0.52	813

**NOTE** Q :Total capacity (kW) SHF :Sensible heat factor DB :Dry-bulb temperature  
 SHC :Sensible heat capacity (kW) INPUT :Total power input (W) WB :Wet-bulb temperature

**PERFORMANCE DATA**  
**COOL operation (230V)**

**MSC-A07WV -[E1] MSC-A07YV -[E1](Single) : MUX-A10WV -[E1]**

CAPACITY : 2.4(kW) SHF : 0.74 INPUT : 760(W)

		OUTDOOR DB(°C)											
INDOOR DB(°C)	INDOOR WB(°C)	35				40				43			
		Q	SHC	SHF	INPUT	Q	SHC	SHF	INPUT	Q	SHC	SHF	INPUT
21	18	2.35	1.32	0.56	745	2.16	1.21	0.56	790	2.08	1.16	0.56	806
21	20	2.47	1.09	0.44	775	2.30	1.01	0.44	813	2.22	0.98	0.44	836
22	18	2.35	1.41	0.60	745	2.16	1.30	0.60	790	2.08	1.25	0.60	806
22	20	2.47	1.19	0.48	775	2.30	1.11	0.48	813	2.22	1.07	0.48	836
22	22	2.62	0.94	0.36	806	2.45	0.88	0.36	851	2.36	0.85	0.36	866
23	18	2.35	1.51	0.64	745	2.16	1.38	0.64	790	2.08	1.33	0.64	806
23	20	2.47	1.29	0.52	775	2.30	1.20	0.52	813	2.22	1.15	0.52	836
23	22	2.62	1.05	0.40	806	2.45	0.98	0.40	851	2.36	0.95	0.40	866
24	18	2.35	1.60	0.68	745	2.16	1.47	0.68	790	2.08	1.41	0.68	806
24	20	2.47	1.38	0.56	775	2.30	1.29	0.56	813	2.22	1.24	0.56	836
24	22	2.62	1.15	0.44	806	2.45	1.08	0.44	851	2.36	1.04	0.44	866
24	24	2.76	0.88	0.32	836	2.59	0.83	0.32	874	2.52	0.81	0.32	893
25	18	2.35	1.69	0.72	745	2.16	1.56	0.72	790	2.08	1.49	0.72	806
25	20	2.47	1.48	0.60	775	2.30	1.38	0.60	813	2.22	1.33	0.60	836
25	22	2.62	1.26	0.48	806	2.45	1.18	0.48	851	2.36	1.13	0.48	866
25	24	2.76	0.99	0.36	836	2.59	0.93	0.36	874	2.52	0.91	0.36	893
26	18	2.35	1.79	0.76	745	2.16	1.64	0.76	790	2.08	1.58	0.76	806
26	20	2.47	1.58	0.64	775	2.30	1.47	0.64	813	2.22	1.42	0.64	836
26	22	2.62	1.36	0.52	806	2.45	1.27	0.52	851	2.36	1.23	0.52	866
26	24	2.76	1.10	0.40	836	2.59	1.04	0.40	874	2.52	1.01	0.40	893
26	26	2.90	0.81	0.28	866	2.74	0.77	0.28	904	2.65	0.74	0.28	923
27	18	2.35	1.88	0.80	745	2.16	1.73	0.80	790	2.08	1.66	0.80	806
27	20	2.47	1.68	0.68	775	2.30	1.57	0.68	813	2.22	1.51	0.68	836
27	22	2.62	1.46	0.56	806	2.45	1.37	0.56	851	2.36	1.32	0.56	866
27	24	2.76	1.21	0.44	836	2.59	1.14	0.44	874	2.52	1.11	0.44	893
27	26	2.90	0.93	0.32	866	2.74	0.88	0.32	904	2.65	0.85	0.32	923
28	18	2.35	1.98	0.84	745	2.16	1.81	0.84	790	2.08	1.74	0.84	806
28	20	2.47	1.78	0.72	775	2.30	1.66	0.72	813	2.22	1.60	0.72	836
28	22	2.62	1.57	0.60	806	2.45	1.47	0.60	851	2.36	1.42	0.60	866
28	24	2.76	1.32	0.48	836	2.59	1.24	0.48	874	2.52	1.21	0.48	893
28	26	2.90	1.05	0.36	866	2.74	0.98	0.36	904	2.65	0.95	0.36	923
29	18	2.35	2.07	0.88	745	2.16	1.90	0.88	790	2.08	1.83	0.88	806
29	20	2.47	1.88	0.76	775	2.30	1.75	0.76	813	2.22	1.69	0.76	836
29	22	2.62	1.67	0.64	806	2.45	1.57	0.64	851	2.36	1.51	0.64	866
29	24	2.76	1.44	0.52	836	2.59	1.35	0.52	874	2.52	1.31	0.52	893
29	26	2.90	1.16	0.40	866	2.74	1.09	0.40	904	2.65	1.06	0.40	923
30	18	2.35	2.16	0.92	745	2.16	1.99	0.92	790	2.08	1.91	0.92	806
30	20	2.47	1.98	0.80	775	2.30	1.84	0.80	813	2.22	1.78	0.80	836
30	22	2.62	1.78	0.68	806	2.45	1.66	0.68	851	2.36	1.61	0.68	866
30	24	2.76	1.55	0.56	836	2.59	1.45	0.56	874	2.52	1.41	0.56	893
30	26	2.90	1.28	0.44	866	2.74	1.20	0.44	904	2.65	1.17	0.44	923
31	18	2.35	2.26	0.96	745	2.16	2.07	0.96	790	2.08	1.99	0.96	806
31	20	2.47	2.08	0.84	775	2.30	1.94	0.84	813	2.22	1.86	0.84	836
31	22	2.62	1.88	0.72	806	2.45	1.76	0.72	851	2.36	1.70	0.72	866
31	24	2.76	1.66	0.60	836	2.59	1.56	0.60	874	2.52	1.51	0.60	893
31	26	2.90	1.39	0.48	866	2.74	1.31	0.48	904	2.65	1.27	0.48	923
32	18	2.35	2.35	1.00	745	2.16	2.16	1.00	790	2.08	2.08	1.00	806
32	20	2.47	2.18	0.88	775	2.30	2.03	0.88	813	2.22	1.95	0.88	836
32	22	2.62	1.99	0.76	806	2.45	1.86	0.76	851	2.36	1.80	0.76	866
32	24	2.76	1.77	0.64	836	2.59	1.66	0.64	874	2.52	1.61	0.64	893
32	26	2.90	1.51	0.52	866	2.74	1.42	0.52	904	2.65	1.38	0.52	923

**NOTE** Q :Total capacity (kW) SHF :Sensible heat factor DB :Dry-bulb temperature  
 SHC :Sensible heat capacity (kW) INPUT :Total power input (W) WB :Wet-bulb temperature

**PERFORMANCE DATA**

**COOL operation (230V)**

**MSC-A07WV -[E1] MSC-A07YV -[E1](Single : Room B) : MUX-A19WV -[E1]**

CAPACITY : 2.4(kW) SHF : 0.74 INPUT : 820(W)

		OUTDOOR DB(°C)															
INDOOR DB(°C)	INDOOR WB(°C)	21				25				27				30			
		Q	SHC	SHF	INPUT	Q	SHC	SHF	INPUT	Q	SHC	SHF	INPUT	Q	SHC	SHF	INPUT
21	18	2.82	1.58	0.56	656	2.70	1.51	0.56	689	2.59	1.45	0.56	722	2.50	1.40	0.56	754
21	20	2.94	1.29	0.44	689	2.82	1.24	0.44	730	2.74	1.20	0.44	746	2.64	1.16	0.44	779
22	18	2.82	1.69	0.60	656	2.70	1.62	0.60	689	2.59	1.56	0.60	722	2.50	1.50	0.60	754
22	20	2.94	1.41	0.48	689	2.82	1.35	0.48	730	2.74	1.31	0.48	746	2.64	1.27	0.48	779
22	22	3.06	1.10	0.36	713	2.95	1.06	0.36	759	2.88	1.04	0.36	779	2.76	0.99	0.36	812
23	18	2.82	1.80	0.64	656	2.70	1.73	0.64	689	2.59	1.66	0.64	722	2.50	1.60	0.64	754
23	20	2.94	1.53	0.52	689	2.82	1.47	0.52	730	2.74	1.42	0.52	746	2.64	1.37	0.52	779
23	22	3.06	1.22	0.40	713	2.95	1.18	0.40	759	2.88	1.15	0.40	779	2.76	1.10	0.40	812
24	18	2.82	1.92	0.68	656	2.70	1.84	0.68	689	2.59	1.76	0.68	722	2.50	1.70	0.68	754
24	20	2.94	1.65	0.56	689	2.82	1.58	0.56	730	2.74	1.53	0.56	746	2.64	1.48	0.56	779
24	22	3.06	1.35	0.44	713	2.95	1.30	0.44	759	2.88	1.27	0.44	779	2.76	1.21	0.44	812
24	24	3.22	1.03	0.32	746	3.10	0.99	0.32	787	3.02	0.97	0.32	812	2.93	0.94	0.32	853
25	18	2.82	2.03	0.72	656	2.70	1.94	0.72	689	2.59	1.87	0.72	722	2.50	1.80	0.72	754
25	20	2.94	1.76	0.60	689	2.82	1.69	0.60	730	2.74	1.64	0.60	746	2.64	1.58	0.60	779
25	22	3.06	1.47	0.48	713	2.95	1.42	0.48	759	2.88	1.38	0.48	779	2.76	1.32	0.48	812
25	24	3.22	1.16	0.36	746	3.10	1.11	0.36	787	3.02	1.09	0.36	812	2.93	1.05	0.36	853
26	18	2.82	2.14	0.76	656	2.70	2.05	0.76	689	2.59	1.97	0.76	722	2.50	1.90	0.76	754
26	20	2.94	1.88	0.64	689	2.82	1.80	0.64	730	2.74	1.75	0.64	746	2.64	1.69	0.64	779
26	22	3.06	1.59	0.52	713	2.95	1.54	0.52	759	2.88	1.50	0.52	779	2.76	1.44	0.52	812
26	24	3.22	1.29	0.40	746	3.10	1.24	0.40	787	3.02	1.21	0.40	812	2.93	1.17	0.40	853
26	26	3.31	0.93	0.28	787	3.22	0.90	0.28	828	3.17	0.89	0.28	853	3.07	0.86	0.28	877
27	18	2.82	2.26	0.80	656	2.70	2.16	0.80	689	2.59	2.07	0.80	722	2.50	2.00	0.80	754
27	20	2.94	2.00	0.68	689	2.82	1.92	0.68	730	2.74	1.86	0.68	746	2.64	1.80	0.68	779
27	22	3.06	1.71	0.56	713	2.95	1.65	0.56	759	2.88	1.61	0.56	779	2.76	1.55	0.56	812
27	24	3.22	1.42	0.44	746	3.10	1.36	0.44	787	3.02	1.33	0.44	812	2.93	1.29	0.44	853
27	26	3.31	1.06	0.32	787	3.22	1.03	0.32	828	3.17	1.01	0.32	853	3.07	0.98	0.32	877
28	18	2.82	2.37	0.84	656	2.70	2.27	0.84	689	2.59	2.18	0.84	722	2.50	2.10	0.84	754
28	20	2.94	2.12	0.72	689	2.82	2.03	0.72	730	2.74	1.97	0.72	746	2.64	1.90	0.72	779
28	22	3.06	1.84	0.60	713	2.95	1.77	0.60	759	2.88	1.73	0.60	779	2.76	1.66	0.60	812
28	24	3.22	1.54	0.48	746	3.10	1.49	0.48	787	3.02	1.45	0.48	812	2.93	1.41	0.48	853
28	26	3.31	1.19	0.36	787	3.22	1.16	0.36	828	3.17	1.14	0.36	853	3.07	1.11	0.36	877
29	18	2.82	2.48	0.88	656	2.70	2.38	0.88	689	2.59	2.28	0.88	722	2.50	2.20	0.88	754
29	20	2.94	2.23	0.76	689	2.82	2.14	0.76	730	2.74	2.08	0.76	746	2.64	2.01	0.76	779
29	22	3.06	1.96	0.64	713	2.95	1.89	0.64	759	2.88	1.84	0.64	779	2.76	1.77	0.64	812
29	24	3.22	1.67	0.52	746	3.10	1.61	0.52	787	3.02	1.57	0.52	812	2.93	1.52	0.52	853
29	26	3.31	1.32	0.40	787	3.22	1.29	0.40	828	3.17	1.27	0.40	853	3.07	1.23	0.40	877
30	18	2.82	2.59	0.92	656	2.70	2.48	0.92	689	2.59	2.38	0.92	722	2.50	2.30	0.92	754
30	20	2.94	2.35	0.80	689	2.82	2.26	0.80	730	2.74	2.19	0.80	746	2.64	2.11	0.80	779
30	22	3.06	2.08	0.68	713	2.95	2.01	0.68	759	2.88	1.96	0.68	779	2.76	1.88	0.68	812
30	24	3.22	1.80	0.56	746	3.10	1.73	0.56	787	3.02	1.69	0.56	812	2.93	1.64	0.56	853
30	26	3.31	1.46	0.44	787	3.22	1.42	0.44	828	3.17	1.39	0.44	853	3.07	1.35	0.44	877
31	18	2.82	2.71	0.96	656	2.70	2.59	0.96	689	2.59	2.49	0.96	722	2.50	2.40	0.96	754
31	20	2.94	2.47	0.84	689	2.82	2.37	0.84	730	2.74	2.30	0.84	746	2.64	2.22	0.84	779
31	22	3.06	2.20	0.72	713	2.95	2.13	0.72	759	2.88	2.07	0.72	779	2.76	1.99	0.72	812
31	24	3.22	1.93	0.60	746	3.10	1.86	0.60	787	3.02	1.81	0.60	812	2.93	1.76	0.60	853
31	26	3.31	1.59	0.48	787	3.22	1.54	0.48	828	3.17	1.52	0.48	853	3.07	1.47	0.48	877
32	18	2.82	2.82	1.00	656	2.70	2.70	1.00	689	2.59	2.59	1.00	722	2.50	2.50	1.00	754
32	20	2.94	2.59	0.88	689	2.82	2.48	0.88	730	2.74	2.41	0.88	746	2.64	2.32	0.88	779
32	22	3.06	2.33	0.76	713	2.95	2.24	0.76	759	2.88	2.19	0.76	779	2.76	2.10	0.76	812
32	24	3.22	2.06	0.64	746	3.10	1.98	0.64	787	3.02	1.94	0.64	812	2.93	1.87	0.64	853
32	26	3.31	1.72	0.52	787	3.22	1.67	0.52	828	3.17	1.65	0.52	853	3.07	1.60	0.52	877

**NOTE** Q :Total capacity (kW) SHF :Sensible heat factor DB :Dry-bulb temperature  
 SHC :Sensible heat capacity (kW) INPUT :Total power input (W) WB :Wet-bulb temperature

**PERFORMANCE DATA**  
**COOL operation (230V)**

**MSC-A07WV -[E1] MSC-A07YV -[E1](Single : Room B) : MUX-A19WV -[E1]**

CAPACITY : 2.4(kW) SHF : 0.74 INPUT : 820(W)

		OUTDOOR DB(°C)											
INDOOR DB(°C)	INDOOR WB(°C)	35				40				43			
		Q	SHC	SHF	INPUT	Q	SHC	SHF	INPUT	Q	SHC	SHF	INPUT
21	18	2.35	1.32	0.56	804	2.16	1.21	0.56	853	2.08	1.16	0.56	869
21	20	2.47	1.09	0.44	836	2.30	1.01	0.44	877	2.22	0.98	0.44	902
22	18	2.35	1.41	0.60	804	2.16	1.30	0.60	853	2.08	1.25	0.60	869
22	20	2.47	1.19	0.48	836	2.30	1.11	0.48	877	2.22	1.07	0.48	902
22	22	2.62	0.94	0.36	869	2.45	0.88	0.36	918	2.36	0.85	0.36	935
23	18	2.35	1.51	0.64	804	2.16	1.38	0.64	853	2.08	1.33	0.64	869
23	20	2.47	1.29	0.52	836	2.30	1.20	0.52	877	2.22	1.15	0.52	902
23	22	2.62	1.05	0.40	869	2.45	0.98	0.40	918	2.36	0.95	0.40	935
24	18	2.35	1.60	0.68	804	2.16	1.47	0.68	853	2.08	1.41	0.68	869
24	20	2.47	1.38	0.56	836	2.30	1.29	0.56	877	2.22	1.24	0.56	902
24	22	2.62	1.15	0.44	869	2.45	1.08	0.44	918	2.36	1.04	0.44	935
24	24	2.76	0.88	0.32	902	2.59	0.83	0.32	943	2.52	0.81	0.32	964
25	18	2.35	1.69	0.72	804	2.16	1.56	0.72	853	2.08	1.49	0.72	869
25	20	2.47	1.48	0.60	836	2.30	1.38	0.60	877	2.22	1.33	0.60	902
25	22	2.62	1.26	0.48	869	2.45	1.18	0.48	918	2.36	1.13	0.48	935
25	24	2.76	0.99	0.36	902	2.59	0.93	0.36	943	2.52	0.91	0.36	964
26	18	2.35	1.79	0.76	804	2.16	1.64	0.76	853	2.08	1.58	0.76	869
26	20	2.47	1.58	0.64	836	2.30	1.47	0.64	877	2.22	1.42	0.64	902
26	22	2.62	1.36	0.52	869	2.45	1.27	0.52	918	2.36	1.23	0.52	935
26	24	2.76	1.10	0.40	902	2.59	1.04	0.40	943	2.52	1.01	0.40	964
26	26	2.90	0.81	0.28	935	2.74	0.77	0.28	976	2.65	0.74	0.28	996
27	18	2.35	1.88	0.80	804	2.16	1.73	0.80	853	2.08	1.66	0.80	869
27	20	2.47	1.68	0.68	836	2.30	1.57	0.68	877	2.22	1.51	0.68	902
27	22	2.62	1.46	0.56	869	2.45	1.37	0.56	918	2.36	1.32	0.56	935
27	24	2.76	1.21	0.44	902	2.59	1.14	0.44	943	2.52	1.11	0.44	964
27	26	2.90	0.93	0.32	935	2.74	0.88	0.32	976	2.65	0.85	0.32	996
28	18	2.35	1.98	0.84	804	2.16	1.81	0.84	853	2.08	1.74	0.84	869
28	20	2.47	1.78	0.72	836	2.30	1.66	0.72	877	2.22	1.60	0.72	902
28	22	2.62	1.57	0.60	869	2.45	1.47	0.60	918	2.36	1.42	0.60	935
28	24	2.76	1.32	0.48	902	2.59	1.24	0.48	943	2.52	1.21	0.48	964
28	26	2.90	1.05	0.36	935	2.74	0.98	0.36	976	2.65	0.95	0.36	996
29	18	2.35	2.07	0.88	804	2.16	1.90	0.88	853	2.08	1.83	0.88	869
29	20	2.47	1.88	0.76	836	2.30	1.75	0.76	877	2.22	1.69	0.76	902
29	22	2.62	1.67	0.64	869	2.45	1.57	0.64	918	2.36	1.51	0.64	935
29	24	2.76	1.44	0.52	902	2.59	1.35	0.52	943	2.52	1.31	0.52	964
29	26	2.90	1.16	0.40	935	2.74	1.09	0.40	976	2.65	1.06	0.40	996
30	18	2.35	2.16	0.92	804	2.16	1.99	0.92	853	2.08	1.91	0.92	869
30	20	2.47	1.98	0.80	836	2.30	1.84	0.80	877	2.22	1.78	0.80	902
30	22	2.62	1.78	0.68	869	2.45	1.66	0.68	918	2.36	1.61	0.68	935
30	24	2.76	1.55	0.56	902	2.59	1.45	0.56	943	2.52	1.41	0.56	964
30	26	2.90	1.28	0.44	935	2.74	1.20	0.44	976	2.65	1.17	0.44	996
31	18	2.35	2.26	0.96	804	2.16	2.07	0.96	853	2.08	1.99	0.96	869
31	20	2.47	2.08	0.84	836	2.30	1.94	0.84	877	2.22	1.86	0.84	902
31	22	2.62	1.88	0.72	869	2.45	1.76	0.72	918	2.36	1.70	0.72	935
31	24	2.76	1.66	0.60	902	2.59	1.56	0.60	943	2.52	1.51	0.60	964
31	26	2.90	1.39	0.48	935	2.74	1.31	0.48	976	2.65	1.27	0.48	996
32	18	2.35	2.35	1.00	804	2.16	2.16	1.00	853	2.08	2.08	1.00	869
32	20	2.47	2.18	0.88	836	2.30	2.03	0.88	877	2.22	1.95	0.88	902
32	22	2.62	1.99	0.76	869	2.45	1.86	0.76	918	2.36	1.80	0.76	935
32	24	2.76	1.77	0.64	902	2.59	1.66	0.64	943	2.52	1.61	0.64	964
32	26	2.90	1.51	0.52	935	2.74	1.42	0.52	976	2.65	1.38	0.52	996

**NOTE** Q :Total capacity (kW) SHF :Sensible heat factor DB :Dry-bulb temperature  
SHC :Sensible heat capacity (kW) INPUT :Total power input (W) WB :Wet-bulb temperature

**PERFORMANCE DATA**  
**COOL operation (230V)**

**MSC-A12WV -[E1] MSC-A12YV -[E1](Single : Room A) : MUX-A19WV -[E1]**

CAPACITY : 3.5(kW) SHF : 0.73 INPUT : 1320(W)

		OUTDOOR DB(°C)															
INDOOR DB(°C)	INDOOR WB(°C)	21				25				27				30			
		Q	SHC	SHF	INPUT	Q	SHC	SHF	INPUT	Q	SHC	SHF	INPUT	Q	SHC	SHF	INPUT
21	18	4.11	2.25	0.55	1056	3.94	2.15	0.55	1109	3.78	2.07	0.55	1162	3.64	1.99	0.55	1214
21	20	4.29	1.83	0.43	1109	4.11	1.76	0.43	1175	3.99	1.70	0.43	1201	3.85	1.64	0.43	1254
22	18	4.11	2.41	0.59	1056	3.94	2.31	0.59	1109	3.78	2.22	0.59	1162	3.64	2.14	0.59	1214
22	20	4.29	2.00	0.47	1109	4.11	1.92	0.47	1175	3.99	1.86	0.47	1201	3.85	1.80	0.47	1254
22	22	4.46	1.55	0.35	1148	4.31	1.49	0.35	1221	4.20	1.46	0.35	1254	4.03	1.40	0.35	1307
23	18	4.11	2.58	0.63	1056	3.94	2.47	0.63	1109	3.78	2.37	0.63	1162	3.64	2.28	0.63	1214
23	20	4.29	2.17	0.51	1109	4.11	2.09	0.51	1175	3.99	2.02	0.51	1201	3.85	1.95	0.51	1254
23	22	4.46	1.73	0.39	1148	4.31	1.67	0.39	1221	4.20	1.63	0.39	1254	4.03	1.56	0.39	1307
24	18	4.11	2.74	0.67	1056	3.94	2.63	0.67	1109	3.78	2.52	0.67	1162	3.64	2.43	0.67	1214
24	20	4.29	2.35	0.55	1109	4.11	2.25	0.55	1175	3.99	2.18	0.55	1201	3.85	2.11	0.55	1254
24	22	4.46	1.91	0.43	1148	4.31	1.84	0.43	1221	4.20	1.79	0.43	1254	4.03	1.72	0.43	1307
24	24	4.69	1.44	0.31	1201	4.52	1.39	0.31	1267	4.41	1.35	0.31	1307	4.27	1.31	0.31	1373
25	18	4.11	2.91	0.71	1056	3.94	2.78	0.71	1109	3.78	2.67	0.71	1162	3.64	2.57	0.71	1214
25	20	4.29	2.52	0.59	1109	4.11	2.41	0.59	1175	3.99	2.34	0.59	1201	3.85	2.26	0.59	1254
25	22	4.46	2.08	0.47	1148	4.31	2.01	0.47	1221	4.20	1.96	0.47	1254	4.03	1.88	0.47	1307
25	24	4.69	1.63	0.35	1201	4.52	1.57	0.35	1267	4.41	1.53	0.35	1307	4.27	1.48	0.35	1373
26	18	4.11	3.07	0.75	1056	3.94	2.94	0.75	1109	3.78	2.82	0.75	1162	3.64	2.72	0.75	1214
26	20	4.29	2.69	0.63	1109	4.11	2.58	0.63	1175	3.99	2.50	0.63	1201	3.85	2.41	0.63	1254
26	22	4.46	2.26	0.51	1148	4.31	2.18	0.51	1221	4.20	2.13	0.51	1254	4.03	2.04	0.51	1307
26	24	4.69	1.82	0.39	1201	4.52	1.75	0.39	1267	4.41	1.71	0.39	1307	4.27	1.65	0.39	1373
26	26	4.83	1.29	0.27	1267	4.69	1.25	0.27	1333	4.62	1.23	0.27	1373	4.48	1.20	0.27	1412
27	18	4.11	3.24	0.79	1056	3.94	3.10	0.79	1109	3.78	2.97	0.79	1162	3.64	2.86	0.79	1214
27	20	4.29	2.86	0.67	1109	4.11	2.74	0.67	1175	3.99	2.66	0.67	1201	3.85	2.57	0.67	1254
27	22	4.46	2.44	0.55	1148	4.31	2.35	0.55	1221	4.20	2.30	0.55	1254	4.03	2.20	0.55	1307
27	24	4.69	2.00	0.43	1201	4.52	1.93	0.43	1267	4.41	1.88	0.43	1307	4.27	1.82	0.43	1373
27	26	4.83	1.48	0.31	1267	4.69	1.44	0.31	1333	4.62	1.42	0.31	1373	4.48	1.38	0.31	1412
28	18	4.11	3.40	0.83	1056	3.94	3.26	0.83	1109	3.78	3.13	0.83	1162	3.64	3.01	0.83	1214
28	20	4.29	3.03	0.71	1109	4.11	2.91	0.71	1175	3.99	2.82	0.71	1201	3.85	2.72	0.71	1254
28	22	4.46	2.62	0.59	1148	4.31	2.53	0.59	1221	4.20	2.47	0.59	1254	4.03	2.36	0.59	1307
28	24	4.69	2.19	0.47	1201	4.52	2.11	0.47	1267	4.41	2.06	0.47	1307	4.27	1.99	0.47	1373
28	26	4.83	1.68	0.35	1267	4.69	1.63	0.35	1333	4.62	1.60	0.35	1373	4.48	1.55	0.35	1412
29	18	4.11	3.57	0.87	1056	3.94	3.41	0.87	1109	3.78	3.28	0.87	1162	3.64	3.16	0.87	1214
29	20	4.29	3.20	0.75	1109	4.11	3.07	0.75	1175	3.99	2.98	0.75	1201	3.85	2.88	0.75	1254
29	22	4.46	2.80	0.63	1148	4.31	2.70	0.63	1221	4.20	2.63	0.63	1254	4.03	2.52	0.63	1307
29	24	4.69	2.38	0.51	1201	4.52	2.29	0.51	1267	4.41	2.24	0.51	1307	4.27	2.16	0.51	1373
29	26	4.83	1.87	0.39	1267	4.69	1.82	0.39	1333	4.62	1.79	0.39	1373	4.48	1.73	0.39	1412
30	18	4.11	3.73	0.91	1056	3.94	3.57	0.91	1109	3.78	3.43	0.91	1162	3.64	3.30	0.91	1214
30	20	4.29	3.37	0.79	1109	4.11	3.24	0.79	1175	3.99	3.14	0.79	1201	3.85	3.03	0.79	1254
30	22	4.46	2.98	0.67	1148	4.31	2.87	0.67	1221	4.20	2.80	0.67	1254	4.03	2.68	0.67	1307
30	24	4.69	2.57	0.55	1201	4.52	2.47	0.55	1267	4.41	2.41	0.55	1307	4.27	2.34	0.55	1373
30	26	4.83	2.06	0.43	1267	4.69	2.00	0.43	1333	4.62	1.97	0.43	1373	4.48	1.91	0.43	1412
31	18	4.11	3.89	0.95	1056	3.94	3.73	0.95	1109	3.78	3.58	0.95	1162	3.64	3.45	0.95	1214
31	20	4.29	3.55	0.83	1109	4.11	3.40	0.83	1175	3.99	3.30	0.83	1201	3.85	3.18	0.83	1254
31	22	4.46	3.15	0.71	1148	4.31	3.04	0.71	1221	4.20	2.97	0.71	1254	4.03	2.85	0.71	1307
31	24	4.69	2.75	0.59	1201	4.52	2.65	0.59	1267	4.41	2.59	0.59	1307	4.27	2.51	0.59	1373
31	26	4.83	2.26	0.47	1267	4.69	2.19	0.47	1333	4.62	2.16	0.47	1373	4.48	2.09	0.47	1412
32	18	4.11	4.06	0.99	1056	3.94	3.89	0.99	1109	3.78	3.73	0.99	1162	3.64	3.59	0.99	1214
32	20	4.29	3.72	0.87	1109	4.11	3.57	0.87	1175	3.99	3.46	0.87	1201	3.85	3.34	0.87	1254
32	22	4.46	3.33	0.75	1148	4.31	3.22	0.75	1221	4.20	3.14	0.75	1254	4.03	3.01	0.75	1307
32	24	4.69	2.94	0.63	1201	4.52	2.83	0.63	1267	4.41	2.77	0.63	1307	4.27	2.68	0.63	1373
32	26	4.83	2.45	0.51	1267	4.69	2.38	0.51	1333	4.62	2.34	0.51	1373	4.48	2.27	0.51	1412

**NOTE** Q :Total capacity (kW) SHF :Sensible heat factor DB :Dry-bulb temperature  
 SHC :Sensible heat capacity (kW) INPUT :Total power input (W) WB :Wet-bulb temperature

**PERFORMANCE DATA**  
**COOL operation (230V)**

**MSC-A12WW -[E1] MSC-A12YV -[E1](Single : Room A) : MUX-A19WV -[E1]**

CAPACITY : 3.5(kW) SHF : 0.73 INPUT : 1320(W)

		OUTDOOR DB(°C)											
INDOOR DB(°C)	INDOOR WB(°C)	35				40				43			
		Q	SHC	SHF	INPUT	Q	SHC	SHF	INPUT	Q	SHC	SHF	INPUT
21	18	3.43	1.88	0.55	1294	3.15	1.72	0.55	1373	3.03	1.66	0.55	1399
21	20	3.61	1.54	0.43	1346	3.36	1.43	0.43	1412	3.24	1.38	0.43	1452
22	18	3.43	2.01	0.59	1294	3.15	1.85	0.59	1373	3.03	1.78	0.59	1399
22	20	3.61	1.68	0.47	1346	3.36	1.57	0.47	1412	3.24	1.51	0.47	1452
22	22	3.82	1.32	0.35	1399	3.57	1.24	0.35	1478	3.45	1.20	0.35	1505
23	18	3.43	2.15	0.63	1294	3.15	1.98	0.63	1373	3.03	1.90	0.63	1399
23	20	3.61	1.83	0.51	1346	3.36	1.70	0.51	1412	3.24	1.64	0.51	1452
23	22	3.82	1.48	0.39	1399	3.57	1.38	0.39	1478	3.45	1.33	0.39	1505
24	18	3.43	2.29	0.67	1294	3.15	2.10	0.67	1373	3.03	2.02	0.67	1399
24	20	3.61	1.97	0.55	1346	3.36	1.84	0.55	1412	3.24	1.77	0.55	1452
24	22	3.82	1.63	0.43	1399	3.57	1.52	0.43	1478	3.45	1.47	0.43	1505
24	24	4.03	1.24	0.31	1452	3.78	1.16	0.31	1518	3.68	1.13	0.31	1551
25	18	3.43	2.43	0.71	1294	3.15	2.23	0.71	1373	3.03	2.14	0.71	1399
25	20	3.61	2.12	0.59	1346	3.36	1.97	0.59	1412	3.24	1.90	0.59	1452
25	22	3.82	1.78	0.47	1399	3.57	1.67	0.47	1478	3.45	1.61	0.47	1505
25	24	4.03	1.40	0.35	1452	3.78	1.31	0.35	1518	3.68	1.28	0.35	1551
26	18	3.43	2.56	0.75	1294	3.15	2.35	0.75	1373	3.03	2.26	0.75	1399
26	20	3.61	2.26	0.63	1346	3.36	2.11	0.63	1412	3.24	2.03	0.63	1452
26	22	3.82	1.93	0.51	1399	3.57	1.81	0.51	1478	3.45	1.75	0.51	1505
26	24	4.03	1.56	0.39	1452	3.78	1.46	0.39	1518	3.68	1.42	0.39	1551
26	26	4.24	1.13	0.27	1505	3.99	1.07	0.27	1571	3.87	1.03	0.27	1604
27	18	3.43	2.70	0.79	1294	3.15	2.48	0.79	1373	3.03	2.38	0.79	1399
27	20	3.61	2.40	0.67	1346	3.36	2.24	0.67	1412	3.24	2.16	0.67	1452
27	22	3.82	2.09	0.55	1399	3.57	1.95	0.55	1478	3.45	1.89	0.55	1505
27	24	4.03	1.72	0.43	1452	3.78	1.61	0.43	1518	3.68	1.57	0.43	1551
27	26	4.24	1.30	0.31	1505	3.99	1.22	0.31	1571	3.87	1.19	0.31	1604
28	18	3.43	2.84	0.83	1294	3.15	2.61	0.83	1373	3.03	2.50	0.83	1399
28	20	3.61	2.55	0.71	1346	3.36	2.38	0.71	1412	3.24	2.29	0.71	1452
28	22	3.82	2.24	0.59	1399	3.57	2.10	0.59	1478	3.45	2.02	0.59	1505
28	24	4.03	1.88	0.47	1452	3.78	1.77	0.47	1518	3.68	1.72	0.47	1551
28	26	4.24	1.47	0.35	1505	3.99	1.38	0.35	1571	3.87	1.34	0.35	1604
29	18	3.43	2.97	0.87	1294	3.15	2.73	0.87	1373	3.03	2.62	0.87	1399
29	20	3.61	2.69	0.75	1346	3.36	2.51	0.75	1412	3.24	2.42	0.75	1452
29	22	3.82	2.39	0.63	1399	3.57	2.24	0.63	1478	3.45	2.16	0.63	1505
29	24	4.03	2.04	0.51	1452	3.78	1.92	0.51	1518	3.68	1.86	0.51	1551
29	26	4.24	1.64	0.39	1505	3.99	1.54	0.39	1571	3.87	1.50	0.39	1604
30	18	3.43	3.11	0.91	1294	3.15	2.86	0.91	1373	3.03	2.75	0.91	1399
30	20	3.61	2.84	0.79	1346	3.36	2.64	0.79	1412	3.24	2.55	0.79	1452
30	22	3.82	2.54	0.67	1399	3.57	2.38	0.67	1478	3.45	2.30	0.67	1505
30	24	4.03	2.20	0.55	1452	3.78	2.07	0.55	1518	3.68	2.01	0.55	1551
30	26	4.24	1.81	0.43	1505	3.99	1.70	0.43	1571	3.87	1.65	0.43	1604
31	18	3.43	3.25	0.95	1294	3.15	2.98	0.95	1373	3.03	2.87	0.95	1399
31	20	3.61	2.98	0.83	1346	3.36	2.78	0.83	1412	3.24	2.68	0.83	1452
31	22	3.82	2.70	0.71	1399	3.57	2.52	0.71	1478	3.45	2.44	0.71	1505
31	24	4.03	2.36	0.59	1452	3.78	2.22	0.59	1518	3.68	2.16	0.59	1551
31	26	4.24	1.98	0.47	1505	3.99	1.86	0.47	1571	3.87	1.81	0.47	1604
32	18	3.43	3.39	0.99	1294	3.15	3.11	0.99	1373	3.03	2.99	0.99	1399
32	20	3.61	3.13	0.87	1346	3.36	2.91	0.87	1412	3.24	2.81	0.87	1452
32	22	3.82	2.85	0.75	1399	3.57	2.67	0.75	1478	3.45	2.58	0.75	1505
32	24	4.03	2.52	0.63	1452	3.78	2.37	0.63	1518	3.68	2.30	0.63	1551
32	26	4.24	2.15	0.51	1505	3.99	2.02	0.51	1571	3.87	1.96	0.51	1604

**NOTE** Q :Total capacity (kW) SHF :Sensible heat factor DB :Dry-bulb temperature  
 SHC :Sensible heat capacity (kW) INPUT :Total power input (W) WB :Wet-bulb temperature



**PERFORMANCE DATA**

**COOL operation (230V)**

**MSC-A09WV -[E1] MSC-A09YV -[E1](Single : Room A) : MUX-A20WV -[E1]**

CAPACITY : 2.6(kW) SHF : 0.75 INPUT : 850(W)

INDOOR DB(°C)	INDOOR WB(°C)	OUTDOOR DB(°C)															
		21				25				27				30			
		Q	SHC	SHF	INPUT	Q	SHC	SHF	INPUT	Q	SHC	SHF	INPUT	Q	SHC	SHF	INPUT
21	18	3.06	1.74	0.57	680	2.93	1.67	0.57	714	2.81	1.60	0.57	748	2.70	1.54	0.57	782
21	20	3.19	1.43	0.45	714	3.06	1.37	0.45	757	2.96	1.33	0.45	774	2.86	1.29	0.45	808
22	18	3.06	1.86	0.61	680	2.93	1.78	0.61	714	2.81	1.71	0.61	748	2.70	1.65	0.61	782
22	20	3.19	1.56	0.49	714	3.06	1.50	0.49	757	2.96	1.45	0.49	774	2.86	1.40	0.49	808
22	22	3.32	1.23	0.37	740	3.20	1.18	0.37	786	3.12	1.15	0.37	808	2.99	1.11	0.37	842
23	18	3.06	1.99	0.65	680	2.93	1.90	0.65	714	2.81	1.83	0.65	748	2.70	1.76	0.65	782
23	20	3.19	1.69	0.53	714	3.06	1.62	0.53	757	2.96	1.57	0.53	774	2.86	1.52	0.53	808
23	22	3.32	1.36	0.41	740	3.20	1.31	0.41	786	3.12	1.28	0.41	808	2.99	1.23	0.41	842
24	18	3.06	2.11	0.69	680	2.93	2.02	0.69	714	2.81	1.94	0.69	748	2.70	1.87	0.69	782
24	20	3.19	1.82	0.57	714	3.06	1.74	0.57	757	2.96	1.69	0.57	774	2.86	1.63	0.57	808
24	22	3.32	1.49	0.45	740	3.20	1.44	0.45	786	3.12	1.40	0.45	808	2.99	1.35	0.45	842
24	24	3.48	1.15	0.33	774	3.35	1.11	0.33	816	3.28	1.08	0.33	842	3.17	1.05	0.33	884
25	18	3.06	2.23	0.73	680	2.93	2.14	0.73	714	2.81	2.05	0.73	748	2.70	1.97	0.73	782
25	20	3.19	1.94	0.61	714	3.06	1.86	0.61	757	2.96	1.81	0.61	774	2.86	1.74	0.61	808
25	22	3.32	1.62	0.49	740	3.20	1.57	0.49	786	3.12	1.53	0.49	808	2.99	1.47	0.49	842
25	24	3.48	1.29	0.37	774	3.35	1.24	0.37	816	3.28	1.21	0.37	842	3.17	1.17	0.37	884
26	18	3.06	2.35	0.77	680	2.93	2.25	0.77	714	2.81	2.16	0.77	748	2.70	2.08	0.77	782
26	20	3.19	2.07	0.65	714	3.06	1.99	0.65	757	2.96	1.93	0.65	774	2.86	1.86	0.65	808
26	22	3.32	1.76	0.53	740	3.20	1.69	0.53	786	3.12	1.65	0.53	808	2.99	1.58	0.53	842
26	24	3.48	1.43	0.41	774	3.35	1.38	0.41	816	3.28	1.34	0.41	842	3.17	1.30	0.41	884
26	26	3.59	1.04	0.29	816	3.48	1.01	0.29	859	3.43	1.00	0.29	884	3.33	0.97	0.29	910
27	18	3.06	2.47	0.81	680	2.93	2.37	0.81	714	2.81	2.27	0.81	748	2.70	2.19	0.81	782
27	20	3.19	2.20	0.69	714	3.06	2.11	0.69	757	2.96	2.05	0.69	774	2.86	1.97	0.69	808
27	22	3.32	1.89	0.57	740	3.20	1.82	0.57	786	3.12	1.78	0.57	808	2.99	1.70	0.57	842
27	24	3.48	1.57	0.45	774	3.35	1.51	0.45	816	3.28	1.47	0.45	842	3.17	1.43	0.45	884
27	26	3.59	1.18	0.33	816	3.48	1.15	0.33	859	3.43	1.13	0.33	884	3.33	1.10	0.33	910
28	18	3.06	2.60	0.85	680	2.93	2.49	0.85	714	2.81	2.39	0.85	748	2.70	2.30	0.85	782
28	20	3.19	2.33	0.73	714	3.06	2.23	0.73	757	2.96	2.16	0.73	774	2.86	2.09	0.73	808
28	22	3.32	2.02	0.61	740	3.20	1.95	0.61	786	3.12	1.90	0.61	808	2.99	1.82	0.61	842
28	24	3.48	1.71	0.49	774	3.35	1.64	0.49	816	3.28	1.61	0.49	842	3.17	1.55	0.49	884
28	26	3.59	1.33	0.37	816	3.48	1.29	0.37	859	3.43	1.27	0.37	884	3.33	1.23	0.37	910
29	18	3.06	2.72	0.89	680	2.93	2.60	0.89	714	2.81	2.50	0.89	748	2.70	2.41	0.89	782
29	20	3.19	2.45	0.77	714	3.06	2.35	0.77	757	2.96	2.28	0.77	774	2.86	2.20	0.77	808
29	22	3.32	2.15	0.65	740	3.20	2.08	0.65	786	3.12	2.03	0.65	808	2.99	1.94	0.65	842
29	24	3.48	1.85	0.53	774	3.35	1.78	0.53	816	3.28	1.74	0.53	842	3.17	1.68	0.53	884
29	26	3.59	1.47	0.41	816	3.48	1.43	0.41	859	3.43	1.41	0.41	884	3.33	1.36	0.41	910
30	18	3.06	2.84	0.93	680	2.93	2.72	0.93	714	2.81	2.61	0.93	748	2.70	2.51	0.93	782
30	20	3.19	2.58	0.81	714	3.06	2.47	0.81	757	2.96	2.40	0.81	774	2.86	2.32	0.81	808
30	22	3.32	2.29	0.69	740	3.20	2.21	0.69	786	3.12	2.15	0.69	808	2.99	2.06	0.69	842
30	24	3.48	1.99	0.57	774	3.35	1.91	0.57	816	3.28	1.87	0.57	842	3.17	1.81	0.57	884
30	26	3.59	1.61	0.45	816	3.48	1.57	0.45	859	3.43	1.54	0.45	884	3.33	1.50	0.45	910
31	18	3.06	2.96	0.97	680	2.93	2.84	0.97	714	2.81	2.72	0.97	748	2.70	2.62	0.97	782
31	20	3.19	2.71	0.85	714	3.06	2.60	0.85	757	2.96	2.52	0.85	774	2.86	2.43	0.85	808
31	22	3.32	2.42	0.73	740	3.20	2.33	0.73	786	3.12	2.28	0.73	808	2.99	2.18	0.73	842
31	24	3.48	2.13	0.61	774	3.35	2.05	0.61	816	3.28	2.00	0.61	842	3.17	1.93	0.61	884
31	26	3.59	1.76	0.49	816	3.48	1.71	0.49	859	3.43	1.68	0.49	884	3.33	1.63	0.49	910
32	18	3.06	3.09	1.01	680	2.93	2.95	1.01	714	2.81	2.84	1.01	748	2.70	2.73	1.01	782
32	20	3.19	2.83	0.89	714	3.06	2.72	0.89	757	2.96	2.64	0.89	774	2.86	2.55	0.89	808
32	22	3.32	2.55	0.77	740	3.20	2.46	0.77	786	3.12	2.40	0.77	808	2.99	2.30	0.77	842
32	24	3.48	2.26	0.65	774	3.35	2.18	0.65	816	3.28	2.13	0.65	842	3.17	2.06	0.65	884
32	26	3.59	1.90	0.53	816	3.48	1.85	0.53	859	3.43	1.82	0.53	884	3.33	1.76	0.53	910

**NOTE** Q :Total capacity (kW) SHF :Sensible heat factor DB :Dry-bulb temperature  
 SHC :Sensible heat capacity (kW) INPUT :Total power input (W) WB :Wet-bulb temperature

**PERFORMANCE DATA**  
**COOL operation (230V)**

**MSC-A09WV -[E1] MSC-A09YV -[E1] (Single : Room A) : MUX-A20WV -[E1]**

CAPACITY : 2.6(kW) SHF : 0.75 INPUT : 850(W)

		OUTDOOR DB(°C)											
INDOOR DB(°C)	INDOOR WB(°C)	35				40				43			
		Q	SHC	SHF	INPUT	Q	SHC	SHF	INPUT	Q	SHC	SHF	INPUT
21	18	2.55	1.45	0.57	833	2.34	1.33	0.57	884	2.25	1.28	0.57	901
21	20	2.68	1.21	0.45	867	2.50	1.12	0.45	910	2.41	1.08	0.45	935
22	18	2.55	1.55	0.61	833	2.34	1.43	0.61	884	2.25	1.37	0.61	901
22	20	2.68	1.31	0.49	867	2.50	1.22	0.49	910	2.41	1.18	0.49	935
22	22	2.83	1.05	0.37	901	2.65	0.98	0.37	952	2.56	0.95	0.37	969
23	18	2.55	1.66	0.65	833	2.34	1.52	0.65	884	2.25	1.46	0.65	901
23	20	2.68	1.42	0.53	867	2.50	1.32	0.53	910	2.41	1.27	0.53	935
23	22	2.83	1.16	0.41	901	2.65	1.09	0.41	952	2.56	1.05	0.41	969
24	18	2.55	1.76	0.69	833	2.34	1.61	0.69	884	2.25	1.55	0.69	901
24	20	2.68	1.53	0.57	867	2.50	1.42	0.57	910	2.41	1.37	0.57	935
24	22	2.83	1.28	0.45	901	2.65	1.19	0.45	952	2.56	1.15	0.45	969
24	24	2.99	0.99	0.33	935	2.81	0.93	0.33	978	2.73	0.90	0.33	999
25	18	2.55	1.86	0.73	833	2.34	1.71	0.73	884	2.25	1.64	0.73	901
25	20	2.68	1.63	0.61	867	2.50	1.52	0.61	910	2.41	1.47	0.61	935
25	22	2.83	1.39	0.49	901	2.65	1.30	0.49	952	2.56	1.25	0.49	969
25	24	2.99	1.11	0.37	935	2.81	1.04	0.37	978	2.73	1.01	0.37	999
26	18	2.55	1.96	0.77	833	2.34	1.80	0.77	884	2.25	1.73	0.77	901
26	20	2.68	1.74	0.65	867	2.50	1.62	0.65	910	2.41	1.56	0.65	935
26	22	2.83	1.50	0.53	901	2.65	1.41	0.53	952	2.56	1.36	0.53	969
26	24	2.99	1.23	0.41	935	2.81	1.15	0.41	978	2.73	1.12	0.41	999
26	26	3.15	0.91	0.29	969	2.96	0.86	0.29	1012	2.87	0.83	0.29	1033
27	18	2.55	2.06	0.81	833	2.34	1.90	0.81	884	2.25	1.82	0.81	901
27	20	2.68	1.85	0.69	867	2.50	1.72	0.69	910	2.41	1.66	0.69	935
27	22	2.83	1.62	0.57	901	2.65	1.51	0.57	952	2.56	1.46	0.57	969
27	24	2.99	1.35	0.45	935	2.81	1.26	0.45	978	2.73	1.23	0.45	999
27	26	3.15	1.04	0.33	969	2.96	0.98	0.33	1012	2.87	0.95	0.33	1033
28	18	2.55	2.17	0.85	833	2.34	1.99	0.85	884	2.25	1.91	0.85	901
28	20	2.68	1.95	0.73	867	2.50	1.82	0.73	910	2.41	1.76	0.73	935
28	22	2.83	1.73	0.61	901	2.65	1.62	0.61	952	2.56	1.56	0.61	969
28	24	2.99	1.47	0.49	935	2.81	1.38	0.49	978	2.73	1.34	0.49	999
28	26	3.15	1.16	0.37	969	2.96	1.10	0.37	1012	2.87	1.06	0.37	1033
29	18	2.55	2.27	0.89	833	2.34	2.08	0.89	884	2.25	2.00	0.89	901
29	20	2.68	2.06	0.77	867	2.50	1.92	0.77	910	2.41	1.85	0.77	935
29	22	2.83	1.84	0.65	901	2.65	1.72	0.65	952	2.56	1.66	0.65	969
29	24	2.99	1.58	0.53	935	2.81	1.49	0.53	978	2.73	1.45	0.53	999
29	26	3.15	1.29	0.41	969	2.96	1.22	0.41	1012	2.87	1.18	0.41	1033
30	18	2.55	2.37	0.93	833	2.34	2.18	0.93	884	2.25	2.09	0.93	901
30	20	2.68	2.17	0.81	867	2.50	2.02	0.81	910	2.41	1.95	0.81	935
30	22	2.83	1.96	0.69	901	2.65	1.83	0.69	952	2.56	1.77	0.69	969
30	24	2.99	1.70	0.57	935	2.81	1.60	0.57	978	2.73	1.56	0.57	999
30	26	3.15	1.42	0.45	969	2.96	1.33	0.45	1012	2.87	1.29	0.45	1033
31	18	2.55	2.47	0.97	833	2.34	2.27	0.97	884	2.25	2.18	0.97	901
31	20	2.68	2.28	0.85	867	2.50	2.12	0.85	910	2.41	2.04	0.85	935
31	22	2.83	2.07	0.73	901	2.65	1.94	0.73	952	2.56	1.87	0.73	969
31	24	2.99	1.82	0.61	935	2.81	1.71	0.61	978	2.73	1.67	0.61	999
31	26	3.15	1.54	0.49	969	2.96	1.45	0.49	1012	2.87	1.41	0.49	1033
32	18	2.55	2.57	1.01	833	2.34	2.36	1.01	884	2.25	2.27	1.01	901
32	20	2.68	2.38	0.89	867	2.50	2.22	0.89	910	2.41	2.14	0.89	935
32	22	2.83	2.18	0.77	901	2.65	2.04	0.77	952	2.56	1.97	0.77	969
32	24	2.99	1.94	0.65	935	2.81	1.83	0.65	978	2.73	1.77	0.65	999
32	26	3.15	1.67	0.53	969	2.96	1.57	0.53	1012	2.87	1.52	0.53	1033

**NOTE** Q :Total capacity (kW) SHF :Sensible heat factor DB :Dry-bulb temperature  
SHC :Sensible heat capacity (kW) INPUT :Total power input (W) WB :Wet-bulb temperature

**PERFORMANCE DATA**

**COOL operation (230V)**

**MSC-A09WV -[E1] MSC-A09YV -[E1](Single : Room B) : MUX-A20WV -[E1]**

CAPACITY : 2.9(kW) SHF : 0.71 INPUT : 1110(W)

		OUTDOOR DB(°C)															
INDOOR DB(°C)	INDOOR WB(°C)	21				25				27				30			
		Q	SHC	SHF	INPUT	Q	SHC	SHF	INPUT	Q	SHC	SHF	INPUT	Q	SHC	SHF	INPUT
21	18	3.41	1.82	0.53	888	3.26	1.74	0.53	932	3.13	1.67	0.53	977	3.02	1.61	0.53	1021
21	20	3.55	1.47	0.41	932	3.41	1.41	0.41	988	3.31	1.37	0.41	1010	3.19	1.32	0.41	1055
22	18	3.41	1.95	0.57	888	3.26	1.87	0.57	932	3.13	1.79	0.57	977	3.02	1.73	0.57	1021
22	20	3.55	1.61	0.45	932	3.41	1.54	0.45	988	3.31	1.50	0.45	1010	3.19	1.45	0.45	1055
22	22	3.70	1.23	0.33	966	3.57	1.19	0.33	1027	3.48	1.16	0.33	1055	3.34	1.11	0.33	1099
23	18	3.41	2.09	0.61	888	3.26	2.00	0.61	932	3.13	1.92	0.61	977	3.02	1.85	0.61	1021
23	20	3.55	1.75	0.49	932	3.41	1.68	0.49	988	3.31	1.63	0.49	1010	3.19	1.57	0.49	1055
23	22	3.70	1.38	0.37	966	3.57	1.33	0.37	1027	3.48	1.30	0.37	1055	3.34	1.24	0.37	1099
24	18	3.41	2.23	0.65	888	3.26	2.13	0.65	932	3.13	2.05	0.65	977	3.02	1.97	0.65	1021
24	20	3.55	1.89	0.53	932	3.41	1.82	0.53	988	3.31	1.76	0.53	1010	3.19	1.70	0.53	1055
24	22	3.70	1.53	0.41	966	3.57	1.47	0.41	1027	3.48	1.44	0.41	1055	3.34	1.38	0.41	1099
24	24	3.89	1.14	0.29	1010	3.74	1.10	0.29	1066	3.65	1.07	0.29	1099	3.54	1.04	0.29	1154
25	18	3.41	2.36	0.69	888	3.26	2.26	0.69	932	3.13	2.17	0.69	977	3.02	2.09	0.69	1021
25	20	3.55	2.04	0.57	932	3.41	1.95	0.57	988	3.31	1.89	0.57	1010	3.19	1.83	0.57	1055
25	22	3.70	1.67	0.45	966	3.57	1.62	0.45	1027	3.48	1.58	0.45	1055	3.34	1.51	0.45	1099
25	24	3.89	1.29	0.33	1010	3.74	1.25	0.33	1066	3.65	1.22	0.33	1099	3.54	1.18	0.33	1154
26	18	3.41	2.50	0.73	888	3.26	2.39	0.73	932	3.13	2.30	0.73	977	3.02	2.21	0.73	1021
26	20	3.55	2.18	0.61	932	3.41	2.09	0.61	988	3.31	2.03	0.61	1010	3.19	1.96	0.61	1055
26	22	3.70	1.82	0.49	966	3.57	1.76	0.49	1027	3.48	1.72	0.49	1055	3.34	1.64	0.49	1099
26	24	3.89	1.45	0.37	1010	3.74	1.40	0.37	1066	3.65	1.36	0.37	1099	3.54	1.32	0.37	1154
26	26	4.00	1.01	0.25	1066	3.89	0.98	0.25	1121	3.83	0.97	0.25	1154	3.71	0.94	0.25	1188
27	18	3.41	2.63	0.77	888	3.26	2.52	0.77	932	3.13	2.42	0.77	977	3.02	2.33	0.77	1021
27	20	3.55	2.32	0.65	932	3.41	2.23	0.65	988	3.31	2.16	0.65	1010	3.19	2.08	0.65	1055
27	22	3.70	1.97	0.53	966	3.57	1.90	0.53	1027	3.48	1.85	0.53	1055	3.34	1.78	0.53	1099
27	24	3.89	1.60	0.41	1010	3.74	1.55	0.41	1066	3.65	1.51	0.41	1099	3.54	1.46	0.41	1154
27	26	4.00	1.17	0.29	1066	3.89	1.14	0.29	1121	3.83	1.12	0.29	1154	3.71	1.09	0.29	1188
28	18	3.41	2.77	0.81	888	3.26	2.65	0.81	932	3.13	2.55	0.81	977	3.02	2.45	0.81	1021
28	20	3.55	2.46	0.69	932	3.41	2.36	0.69	988	3.31	2.29	0.69	1010	3.19	2.21	0.69	1055
28	22	3.70	2.12	0.57	966	3.57	2.04	0.57	1027	3.48	1.99	0.57	1055	3.34	1.91	0.57	1099
28	24	3.89	1.76	0.45	1010	3.74	1.69	0.45	1066	3.65	1.66	0.45	1099	3.54	1.60	0.45	1154
28	26	4.00	1.33	0.33	1066	3.89	1.29	0.33	1121	3.83	1.27	0.33	1154	3.71	1.24	0.33	1188
29	18	3.41	2.91	0.85	888	3.26	2.78	0.85	932	3.13	2.67	0.85	977	3.02	2.57	0.85	1021
29	20	3.55	2.60	0.73	932	3.41	2.50	0.73	988	3.31	2.42	0.73	1010	3.19	2.34	0.73	1055
29	22	3.70	2.27	0.61	966	3.57	2.19	0.61	1027	3.48	2.13	0.61	1055	3.34	2.04	0.61	1099
29	24	3.89	1.92	0.49	1010	3.74	1.84	0.49	1066	3.65	1.80	0.49	1099	3.54	1.74	0.49	1154
29	26	4.00	1.49	0.37	1066	3.89	1.45	0.37	1121	3.83	1.43	0.37	1154	3.71	1.38	0.37	1188
30	18	3.41	3.04	0.89	888	3.26	2.91	0.89	932	3.13	2.80	0.89	977	3.02	2.69	0.89	1021
30	20	3.55	2.75	0.77	932	3.41	2.63	0.77	988	3.31	2.56	0.77	1010	3.19	2.47	0.77	1055
30	22	3.70	2.41	0.65	966	3.57	2.33	0.65	1027	3.48	2.27	0.65	1055	3.34	2.18	0.65	1099
30	24	3.89	2.07	0.53	1010	3.74	1.99	0.53	1066	3.65	1.95	0.53	1099	3.54	1.89	0.53	1154
30	26	4.00	1.65	0.41	1066	3.89	1.60	0.41	1121	3.83	1.58	0.41	1154	3.71	1.53	0.41	1188
31	18	3.41	3.18	0.93	888	3.26	3.04	0.93	932	3.13	2.92	0.93	977	3.02	2.81	0.93	1021
31	20	3.55	2.89	0.81	932	3.41	2.77	0.81	988	3.31	2.69	0.81	1010	3.19	2.59	0.81	1055
31	22	3.70	2.56	0.69	966	3.57	2.47	0.69	1027	3.48	2.41	0.69	1055	3.34	2.31	0.69	1099
31	24	3.89	2.23	0.57	1010	3.74	2.14	0.57	1066	3.65	2.09	0.57	1099	3.54	2.03	0.57	1154
31	26	4.00	1.81	0.45	1066	3.89	1.76	0.45	1121	3.83	1.73	0.45	1154	3.71	1.68	0.45	1188
32	18	3.41	3.32	0.97	888	3.26	3.17	0.97	932	3.13	3.05	0.97	977	3.02	2.93	0.97	1021
32	20	3.55	3.03	0.85	932	3.41	2.91	0.85	988	3.31	2.82	0.85	1010	3.19	2.72	0.85	1055
32	22	3.70	2.71	0.73	966	3.57	2.61	0.73	1027	3.48	2.55	0.73	1055	3.34	2.44	0.73	1099
32	24	3.89	2.38	0.61	1010	3.74	2.29	0.61	1066	3.65	2.24	0.61	1099	3.54	2.17	0.61	1154
32	26	4.00	1.97	0.49	1066	3.89	1.92	0.49	1121	3.83	1.89	0.49	1154	3.71	1.83	0.49	1188

**NOTE** Q :Total capacity (kW) SHF :Sensible heat factor DB :Dry-bulb temperature  
 SHC :Sensible heat capacity (kW) INPUT :Total power input (W) WB :Wet-bulb temperature

**PERFORMANCE DATA**  
**COOL operation (230V)**

**MSC-A09WV -[E1] MSC-A09YV -[E1] (Single : Room B) : MUX-A20WV -[E1]**

CAPACITY : 2.9(kW) SHF : 0.71 INPUT : 1110(W)

		OUTDOOR DB(°C)											
INDOOR DB(°C)	INDOOR WB(°C)	35				40				43			
		Q	SHC	SHF	INPUT	Q	SHC	SHF	INPUT	Q	SHC	SHF	INPUT
21	18	2.84	1.51	0.53	1088	2.61	1.39	0.53	1154	2.51	1.34	0.53	1177
21	20	2.99	1.23	0.41	1132	2.78	1.15	0.41	1188	2.68	1.11	0.41	1221
22	18	2.84	1.63	0.57	1088	2.61	1.50	0.57	1154	2.51	1.44	0.57	1177
22	20	2.99	1.35	0.45	1132	2.78	1.26	0.45	1188	2.68	1.22	0.45	1221
22	22	3.16	1.05	0.33	1177	2.96	0.99	0.33	1243	2.86	0.95	0.33	1265
23	18	2.84	1.74	0.61	1088	2.61	1.60	0.61	1154	2.51	1.54	0.61	1177
23	20	2.99	1.47	0.49	1132	2.78	1.37	0.49	1188	2.68	1.32	0.49	1221
23	22	3.16	1.18	0.37	1177	2.96	1.10	0.37	1243	2.86	1.07	0.37	1265
24	18	2.84	1.86	0.65	1088	2.61	1.70	0.65	1154	2.51	1.64	0.65	1177
24	20	2.99	1.59	0.53	1132	2.78	1.48	0.53	1188	2.68	1.43	0.53	1221
24	22	3.16	1.31	0.41	1177	2.96	1.22	0.41	1243	2.86	1.18	0.41	1265
24	24	3.34	0.98	0.29	1221	3.13	0.92	0.29	1277	3.05	0.89	0.29	1304
25	18	2.84	1.97	0.69	1088	2.61	1.81	0.69	1154	2.51	1.74	0.69	1177
25	20	2.99	1.71	0.57	1132	2.78	1.60	0.57	1188	2.68	1.54	0.57	1221
25	22	3.16	1.43	0.45	1177	2.96	1.34	0.45	1243	2.86	1.29	0.45	1265
25	24	3.34	1.11	0.33	1221	3.13	1.04	0.33	1277	3.05	1.01	0.33	1304
26	18	2.84	2.08	0.73	1088	2.61	1.91	0.73	1154	2.51	1.84	0.73	1177
26	20	2.99	1.83	0.61	1132	2.78	1.71	0.61	1188	2.68	1.64	0.61	1221
26	22	3.16	1.56	0.49	1177	2.96	1.46	0.49	1243	2.86	1.41	0.49	1265
26	24	3.34	1.24	0.37	1221	3.13	1.17	0.37	1277	3.05	1.14	0.37	1304
26	26	3.51	0.89	0.25	1265	3.31	0.84	0.25	1321	3.20	0.81	0.25	1349
27	18	2.84	2.20	0.77	1088	2.61	2.02	0.77	1154	2.51	1.94	0.77	1177
27	20	2.99	1.95	0.65	1132	2.78	1.82	0.65	1188	2.68	1.75	0.65	1221
27	22	3.16	1.68	0.53	1177	2.96	1.58	0.53	1243	2.86	1.52	0.53	1265
27	24	3.34	1.38	0.41	1221	3.13	1.29	0.41	1277	3.05	1.26	0.41	1304
27	26	3.51	1.03	0.29	1265	3.31	0.97	0.29	1321	3.20	0.94	0.29	1349
28	18	2.84	2.31	0.81	1088	2.61	2.12	0.81	1154	2.51	2.04	0.81	1177
28	20	2.99	2.07	0.69	1132	2.78	1.93	0.69	1188	2.68	1.86	0.69	1221
28	22	3.16	1.81	0.57	1177	2.96	1.69	0.57	1243	2.86	1.64	0.57	1265
28	24	3.34	1.51	0.45	1221	3.13	1.42	0.45	1277	3.05	1.38	0.45	1304
28	26	3.51	1.17	0.33	1265	3.31	1.10	0.33	1321	3.20	1.07	0.33	1349
29	18	2.84	2.42	0.85	1088	2.61	2.23	0.85	1154	2.51	2.14	0.85	1177
29	20	2.99	2.19	0.73	1132	2.78	2.04	0.73	1188	2.68	1.97	0.73	1221
29	22	3.16	1.94	0.61	1177	2.96	1.81	0.61	1243	2.86	1.75	0.61	1265
29	24	3.34	1.64	0.49	1221	3.13	1.54	0.49	1277	3.05	1.50	0.49	1304
29	26	3.51	1.31	0.37	1265	3.31	1.23	0.37	1321	3.20	1.20	0.37	1349
30	18	2.84	2.54	0.89	1088	2.61	2.33	0.89	1154	2.51	2.24	0.89	1177
30	20	2.99	2.31	0.77	1132	2.78	2.15	0.77	1188	2.68	2.07	0.77	1221
30	22	3.16	2.06	0.65	1177	2.96	1.93	0.65	1243	2.86	1.87	0.65	1265
30	24	3.34	1.78	0.53	1221	3.13	1.67	0.53	1277	3.05	1.62	0.53	1304
30	26	3.51	1.45	0.41	1265	3.31	1.37	0.41	1321	3.20	1.32	0.41	1349
31	18	2.84	2.65	0.93	1088	2.61	2.44	0.93	1154	2.51	2.34	0.93	1177
31	20	2.99	2.43	0.81	1132	2.78	2.26	0.81	1188	2.68	2.18	0.81	1221
31	22	3.16	2.19	0.69	1177	2.96	2.05	0.69	1243	2.86	1.98	0.69	1265
31	24	3.34	1.91	0.57	1221	3.13	1.79	0.57	1277	3.05	1.74	0.57	1304
31	26	3.51	1.59	0.45	1265	3.31	1.50	0.45	1321	3.20	1.45	0.45	1349
32	18	2.84	2.77	0.97	1088	2.61	2.54	0.97	1154	2.51	2.44	0.97	1177
32	20	2.99	2.55	0.85	1132	2.78	2.37	0.85	1188	2.68	2.29	0.85	1221
32	22	3.16	2.32	0.73	1177	2.96	2.17	0.73	1243	2.86	2.09	0.73	1265
32	24	3.34	2.04	0.61	1221	3.13	1.92	0.61	1277	3.05	1.87	0.61	1304
32	26	3.51	1.73	0.49	1265	3.31	1.63	0.49	1321	3.20	1.58	0.49	1349

**NOTE** Q :Total capacity (kW) SHF :Sensible heat factor DB :Dry-bulb temperature  
 SHC :Sensible heat capacity (kW) INPUT :Total power input (W) WB :Wet-bulb temperature

**PERFORMANCE DATA**

**COOL operation (230V)**

**MSC-A12WV -[E1] MSC-A12YV -[E1](Single) : MUX-A25WV -[E1]**

CAPACITY : 3.5(kW) SHF : 0.73 INPUT : 1340(W)

		OUTDOOR DB(°C)															
INDOOR DB(°C)	INDOOR WB(°C)	21				25				27				30			
		Q	SHC	SHF	INPUT	Q	SHC	SHF	INPUT	Q	SHC	SHF	INPUT	Q	SHC	SHF	INPUT
21	18	4.11	2.25	0.55	1072	3.94	2.15	0.55	1126	3.78	2.07	0.55	1179	3.64	1.99	0.55	1233
21	20	4.29	1.83	0.43	1126	4.11	1.76	0.43	1193	3.99	1.70	0.43	1219	3.85	1.64	0.43	1273
22	18	4.11	2.41	0.59	1072	3.94	2.31	0.59	1126	3.78	2.22	0.59	1179	3.64	2.14	0.59	1233
22	20	4.29	2.00	0.47	1126	4.11	1.92	0.47	1193	3.99	1.86	0.47	1219	3.85	1.80	0.47	1273
22	22	4.46	1.55	0.35	1166	4.31	1.49	0.35	1240	4.20	1.46	0.35	1273	4.03	1.40	0.35	1327
23	18	4.11	2.58	0.63	1072	3.94	2.47	0.63	1126	3.78	2.37	0.63	1179	3.64	2.28	0.63	1233
23	20	4.29	2.17	0.51	1126	4.11	2.09	0.51	1193	3.99	2.02	0.51	1219	3.85	1.95	0.51	1273
23	22	4.46	1.73	0.39	1166	4.31	1.67	0.39	1240	4.20	1.63	0.39	1273	4.03	1.56	0.39	1327
24	18	4.11	2.74	0.67	1072	3.94	2.63	0.67	1126	3.78	2.52	0.67	1179	3.64	2.43	0.67	1233
24	20	4.29	2.35	0.55	1126	4.11	2.25	0.55	1193	3.99	2.18	0.55	1219	3.85	2.11	0.55	1273
24	22	4.46	1.91	0.43	1166	4.31	1.84	0.43	1240	4.20	1.79	0.43	1273	4.03	1.72	0.43	1327
24	24	4.69	1.44	0.31	1219	4.52	1.39	0.31	1286	4.41	1.35	0.31	1327	4.27	1.31	0.31	1394
25	18	4.11	2.91	0.71	1072	3.94	2.78	0.71	1126	3.78	2.67	0.71	1179	3.64	2.57	0.71	1233
25	20	4.29	2.52	0.59	1126	4.11	2.41	0.59	1193	3.99	2.34	0.59	1219	3.85	2.26	0.59	1273
25	22	4.46	2.08	0.47	1166	4.31	2.01	0.47	1240	4.20	1.96	0.47	1273	4.03	1.88	0.47	1327
25	24	4.69	1.63	0.35	1219	4.52	1.57	0.35	1286	4.41	1.53	0.35	1327	4.27	1.48	0.35	1394
26	18	4.11	3.07	0.75	1072	3.94	2.94	0.75	1126	3.78	2.82	0.75	1179	3.64	2.72	0.75	1233
26	20	4.29	2.69	0.63	1126	4.11	2.58	0.63	1193	3.99	2.50	0.63	1219	3.85	2.41	0.63	1273
26	22	4.46	2.26	0.51	1166	4.31	2.18	0.51	1240	4.20	2.13	0.51	1273	4.03	2.04	0.51	1327
26	24	4.69	1.82	0.39	1219	4.52	1.75	0.39	1286	4.41	1.71	0.39	1327	4.27	1.65	0.39	1394
26	26	4.83	1.29	0.27	1286	4.69	1.25	0.27	1353	4.62	1.23	0.27	1394	4.48	1.20	0.27	1434
27	18	4.11	3.24	0.79	1072	3.94	3.10	0.79	1126	3.78	2.97	0.79	1179	3.64	2.86	0.79	1233
27	20	4.29	2.86	0.67	1126	4.11	2.74	0.67	1193	3.99	2.66	0.67	1219	3.85	2.57	0.67	1273
27	22	4.46	2.44	0.55	1166	4.31	2.35	0.55	1240	4.20	2.30	0.55	1273	4.03	2.20	0.55	1327
27	24	4.69	2.00	0.43	1219	4.52	1.93	0.43	1286	4.41	1.88	0.43	1327	4.27	1.82	0.43	1394
27	26	4.83	1.48	0.31	1286	4.69	1.44	0.31	1353	4.62	1.42	0.31	1394	4.48	1.38	0.31	1434
28	18	4.11	3.40	0.83	1072	3.94	3.26	0.83	1126	3.78	3.13	0.83	1179	3.64	3.01	0.83	1233
28	20	4.29	3.03	0.71	1126	4.11	2.91	0.71	1193	3.99	2.82	0.71	1219	3.85	2.72	0.71	1273
28	22	4.46	2.62	0.59	1166	4.31	2.53	0.59	1240	4.20	2.47	0.59	1273	4.03	2.36	0.59	1327
28	24	4.69	2.19	0.47	1219	4.52	2.11	0.47	1286	4.41	2.06	0.47	1327	4.27	1.99	0.47	1394
28	26	4.83	1.68	0.35	1286	4.69	1.63	0.35	1353	4.62	1.60	0.35	1394	4.48	1.55	0.35	1434
29	18	4.11	3.57	0.87	1072	3.94	3.41	0.87	1126	3.78	3.28	0.87	1179	3.64	3.16	0.87	1233
29	20	4.29	3.20	0.75	1126	4.11	3.07	0.75	1193	3.99	2.98	0.75	1219	3.85	2.88	0.75	1273
29	22	4.46	2.80	0.63	1166	4.31	2.70	0.63	1240	4.20	2.63	0.63	1273	4.03	2.52	0.63	1327
29	24	4.69	2.38	0.51	1219	4.52	2.29	0.51	1286	4.41	2.24	0.51	1327	4.27	2.16	0.51	1394
29	26	4.83	1.87	0.39	1286	4.69	1.82	0.39	1353	4.62	1.79	0.39	1394	4.48	1.73	0.39	1434
30	18	4.11	3.73	0.91	1072	3.94	3.57	0.91	1126	3.78	3.43	0.91	1179	3.64	3.30	0.91	1233
30	20	4.29	3.37	0.79	1126	4.11	3.24	0.79	1193	3.99	3.14	0.79	1219	3.85	3.03	0.79	1273
30	22	4.46	2.98	0.67	1166	4.31	2.87	0.67	1240	4.20	2.80	0.67	1273	4.03	2.68	0.67	1327
30	24	4.69	2.57	0.55	1219	4.52	2.47	0.55	1286	4.41	2.41	0.55	1327	4.27	2.34	0.55	1394
30	26	4.83	2.06	0.43	1286	4.69	2.00	0.43	1353	4.62	1.97	0.43	1394	4.48	1.91	0.43	1434
31	18	4.11	3.89	0.95	1072	3.94	3.73	0.95	1126	3.78	3.58	0.95	1179	3.64	3.45	0.95	1233
31	20	4.29	3.55	0.83	1126	4.11	3.40	0.83	1193	3.99	3.30	0.83	1219	3.85	3.18	0.83	1273
31	22	4.46	3.15	0.71	1166	4.31	3.04	0.71	1240	4.20	2.97	0.71	1273	4.03	2.85	0.71	1327
31	24	4.69	2.75	0.59	1219	4.52	2.65	0.59	1286	4.41	2.59	0.59	1327	4.27	2.51	0.59	1394
31	26	4.83	2.26	0.47	1286	4.69	2.19	0.47	1353	4.62	2.16	0.47	1394	4.48	2.09	0.47	1434
32	18	4.11	4.06	0.99	1072	3.94	3.89	0.99	1126	3.78	3.73	0.99	1179	3.64	3.59	0.99	1233
32	20	4.29	3.72	0.87	1126	4.11	3.57	0.87	1193	3.99	3.46	0.87	1219	3.85	3.34	0.87	1273
32	22	4.46	3.33	0.75	1166	4.31	3.22	0.75	1240	4.20	3.14	0.75	1273	4.03	3.01	0.75	1327
32	24	4.69	2.94	0.63	1219	4.52	2.83	0.63	1286	4.41	2.77	0.63	1327	4.27	2.68	0.63	1394
32	26	4.83	2.45	0.51	1286	4.69	2.38	0.51	1353	4.62	2.34	0.51	1394	4.48	2.27	0.51	1434

**NOTE** Q :Total capacity (kW) SHF :Sensible heat factor DB :Dry-bulb temperature  
 SHC :Sensible heat capacity (kW) INPUT :Total power input (W) WB :Wet-bulb temperature

**PERFORMANCE DATA**  
**COOL operation (230V)**

**MSC-A12WV -[E1] MSC-A12YV -[E1](Single) : MUX-A25WV -[E1]**

CAPACITY : 3.5(kW) SHF : 0.73 INPUT : 1340(W)

		OUTDOOR DB(°C)											
INDOOR DB(°C)	INDOOR WB(°C)	35				40				43			
		Q	SHC	SHF	INPUT	Q	SHC	SHF	INPUT	Q	SHC	SHF	INPUT
21	18	3.43	1.88	0.55	1313	3.15	1.72	0.55	1394	3.03	1.66	0.55	1420
21	20	3.61	1.54	0.43	1367	3.36	1.43	0.43	1434	3.24	1.38	0.43	1474
22	18	3.43	2.01	0.59	1313	3.15	1.85	0.59	1394	3.03	1.78	0.59	1420
22	20	3.61	1.68	0.47	1367	3.36	1.57	0.47	1434	3.24	1.51	0.47	1474
22	22	3.82	1.32	0.35	1420	3.57	1.24	0.35	1501	3.45	1.20	0.35	1528
23	18	3.43	2.15	0.63	1313	3.15	1.98	0.63	1394	3.03	1.90	0.63	1420
23	20	3.61	1.83	0.51	1367	3.36	1.70	0.51	1434	3.24	1.64	0.51	1474
23	22	3.82	1.48	0.39	1420	3.57	1.38	0.39	1501	3.45	1.33	0.39	1528
24	18	3.43	2.29	0.67	1313	3.15	2.10	0.67	1394	3.03	2.02	0.67	1420
24	20	3.61	1.97	0.55	1367	3.36	1.84	0.55	1434	3.24	1.77	0.55	1474
24	22	3.82	1.63	0.43	1420	3.57	1.52	0.43	1501	3.45	1.47	0.43	1528
24	24	4.03	1.24	0.31	1474	3.78	1.16	0.31	1541	3.68	1.13	0.31	1575
25	18	3.43	2.43	0.71	1313	3.15	2.23	0.71	1394	3.03	2.14	0.71	1420
25	20	3.61	2.12	0.59	1367	3.36	1.97	0.59	1434	3.24	1.90	0.59	1474
25	22	3.82	1.78	0.47	1420	3.57	1.67	0.47	1501	3.45	1.61	0.47	1528
25	24	4.03	1.40	0.35	1474	3.78	1.31	0.35	1541	3.68	1.28	0.35	1575
26	18	3.43	2.56	0.75	1313	3.15	2.35	0.75	1394	3.03	2.26	0.75	1420
26	20	3.61	2.26	0.63	1367	3.36	2.11	0.63	1434	3.24	2.03	0.63	1474
26	22	3.82	1.93	0.51	1420	3.57	1.81	0.51	1501	3.45	1.75	0.51	1528
26	24	4.03	1.56	0.39	1474	3.78	1.46	0.39	1541	3.68	1.42	0.39	1575
26	26	4.24	1.13	0.27	1528	3.99	1.07	0.27	1595	3.87	1.03	0.27	1628
27	18	3.43	2.70	0.79	1313	3.15	2.48	0.79	1394	3.03	2.38	0.79	1420
27	20	3.61	2.40	0.67	1367	3.36	2.24	0.67	1434	3.24	2.16	0.67	1474
27	22	3.82	2.09	0.55	1420	3.57	1.95	0.55	1501	3.45	1.89	0.55	1528
27	24	4.03	1.72	0.43	1474	3.78	1.61	0.43	1541	3.68	1.57	0.43	1575
27	26	4.24	1.30	0.31	1528	3.99	1.22	0.31	1595	3.87	1.19	0.31	1628
28	18	3.43	2.84	0.83	1313	3.15	2.61	0.83	1394	3.03	2.50	0.83	1420
28	20	3.61	2.55	0.71	1367	3.36	2.38	0.71	1434	3.24	2.29	0.71	1474
28	22	3.82	2.24	0.59	1420	3.57	2.10	0.59	1501	3.45	2.02	0.59	1528
28	24	4.03	1.88	0.47	1474	3.78	1.77	0.47	1541	3.68	1.72	0.47	1575
28	26	4.24	1.47	0.35	1528	3.99	1.38	0.35	1595	3.87	1.34	0.35	1628
29	18	3.43	2.97	0.87	1313	3.15	2.73	0.87	1394	3.03	2.62	0.87	1420
29	20	3.61	2.69	0.75	1367	3.36	2.51	0.75	1434	3.24	2.42	0.75	1474
29	22	3.82	2.39	0.63	1420	3.57	2.24	0.63	1501	3.45	2.16	0.63	1528
29	24	4.03	2.04	0.51	1474	3.78	1.92	0.51	1541	3.68	1.86	0.51	1575
29	26	4.24	1.64	0.39	1528	3.99	1.54	0.39	1595	3.87	1.50	0.39	1628
30	18	3.43	3.11	0.91	1313	3.15	2.86	0.91	1394	3.03	2.75	0.91	1420
30	20	3.61	2.84	0.79	1367	3.36	2.64	0.79	1434	3.24	2.55	0.79	1474
30	22	3.82	2.54	0.67	1420	3.57	2.38	0.67	1501	3.45	2.30	0.67	1528
30	24	4.03	2.20	0.55	1474	3.78	2.07	0.55	1541	3.68	2.01	0.55	1575
30	26	4.24	1.81	0.43	1528	3.99	1.70	0.43	1595	3.87	1.65	0.43	1628
31	18	3.43	3.25	0.95	1313	3.15	2.98	0.95	1394	3.03	2.87	0.95	1420
31	20	3.61	2.98	0.83	1367	3.36	2.78	0.83	1434	3.24	2.68	0.83	1474
31	22	3.82	2.70	0.71	1420	3.57	2.52	0.71	1501	3.45	2.44	0.71	1528
31	24	4.03	2.36	0.59	1474	3.78	2.22	0.59	1541	3.68	2.16	0.59	1575
31	26	4.24	1.98	0.47	1528	3.99	1.86	0.47	1595	3.87	1.81	0.47	1628
32	18	3.43	3.39	0.99	1313	3.15	3.11	0.99	1394	3.03	2.99	0.99	1420
32	20	3.61	3.13	0.87	1367	3.36	2.91	0.87	1434	3.24	2.81	0.87	1474
32	22	3.82	2.85	0.75	1420	3.57	2.67	0.75	1501	3.45	2.58	0.75	1528
32	24	4.03	2.52	0.63	1474	3.78	2.37	0.63	1541	3.68	2.30	0.63	1575
32	26	4.24	2.15	0.51	1528	3.99	2.02	0.51	1595	3.87	1.96	0.51	1628

**NOTE** Q :Total capacity (kW) SHF :Sensible heat factor DB :Dry-bulb temperature  
 SHC :Sensible heat capacity (kW) INPUT :Total power input (W) WB :Wet-bulb temperature

**PERFORMANCE DATA**

**COOL operation (230V)**

**MSC-A09WV -[E1] MSC-A09YV -[E1](Single : Room C ) : MUX-A26WV -[E1]**

CAPACITY : 2.75(kW) SHF :0.73 INPUT : 1050(W)

INDOOR DB(°C)	INDOOR WB(°C)	OUTDOOR DB(°C)															
		21				25				27				30			
		Q	SHC	SHF	INPUT	Q	SHC	SHF	INPUT	Q	SHC	SHF	INPUT	Q	SHC	SHF	INPUT
21	18	3.23	1.76	0.55	840	3.09	1.69	0.55	882	2.97	1.62	0.55	924	2.86	1.56	0.55	966
21	20	3.37	1.43	0.43	882	3.23	1.37	0.43	935	3.14	1.33	0.43	956	3.03	1.29	0.43	998
22	18	3.23	1.89	0.59	840	3.09	1.81	0.59	882	2.97	1.74	0.59	924	2.86	1.67	0.59	966
22	20	3.37	1.57	0.47	882	3.23	1.50	0.47	935	3.14	1.46	0.47	956	3.03	1.41	0.47	998
22	22	3.51	1.21	0.35	914	3.38	1.17	0.35	971	3.30	1.14	0.35	998	3.16	1.09	0.35	1040
23	18	3.23	2.02	0.63	840	3.09	1.93	0.63	882	2.97	1.86	0.63	924	2.86	1.79	0.63	966
23	20	3.37	1.70	0.51	882	3.23	1.63	0.51	935	3.14	1.58	0.51	956	3.03	1.53	0.51	998
23	22	3.51	1.35	0.39	914	3.38	1.30	0.39	971	3.30	1.27	0.39	998	3.16	1.22	0.39	1040
24	18	3.23	2.15	0.67	840	3.09	2.06	0.67	882	2.97	1.98	0.67	924	2.86	1.90	0.67	966
24	20	3.37	1.84	0.55	882	3.23	1.76	0.55	935	3.14	1.71	0.55	956	3.03	1.65	0.55	998
24	22	3.51	1.49	0.43	914	3.38	1.44	0.43	971	3.30	1.40	0.43	998	3.16	1.34	0.43	1040
24	24	3.69	1.12	0.31	956	3.55	1.08	0.31	1008	3.47	1.06	0.31	1040	3.36	1.02	0.31	1092
25	18	3.23	2.28	0.71	840	3.09	2.18	0.71	882	2.97	2.09	0.71	924	2.86	2.02	0.71	966
25	20	3.37	1.97	0.59	882	3.23	1.89	0.59	935	3.14	1.83	0.59	956	3.03	1.77	0.59	998
25	22	3.51	1.63	0.47	914	3.38	1.57	0.47	971	3.30	1.53	0.47	998	3.16	1.47	0.47	1040
25	24	3.69	1.27	0.35	956	3.55	1.22	0.35	1008	3.47	1.20	0.35	1040	3.36	1.16	0.35	1092
26	18	3.23	2.41	0.75	840	3.09	2.30	0.75	882	2.97	2.21	0.75	924	2.86	2.13	0.75	966
26	20	3.37	2.11	0.63	882	3.23	2.02	0.63	935	3.14	1.96	0.63	956	3.03	1.89	0.63	998
26	22	3.51	1.77	0.51	914	3.38	1.71	0.51	971	3.30	1.67	0.51	998	3.16	1.60	0.51	1040
26	24	3.69	1.42	0.39	956	3.55	1.37	0.39	1008	3.47	1.33	0.39	1040	3.36	1.29	0.39	1092
26	26	3.80	1.01	0.27	1008	3.69	0.98	0.27	1061	3.63	0.96	0.27	1092	3.52	0.93	0.27	1124
27	18	3.23	2.54	0.79	840	3.09	2.43	0.79	882	2.97	2.33	0.79	924	2.86	2.25	0.79	966
27	20	3.37	2.24	0.67	882	3.23	2.15	0.67	935	3.14	2.08	0.67	956	3.03	2.01	0.67	998
27	22	3.51	1.91	0.55	914	3.38	1.84	0.55	971	3.30	1.80	0.55	998	3.16	1.72	0.55	1040
27	24	3.69	1.57	0.43	956	3.55	1.51	0.43	1008	3.47	1.47	0.43	1040	3.36	1.43	0.43	1092
27	26	3.80	1.16	0.31	1008	3.69	1.12	0.31	1061	3.63	1.11	0.31	1092	3.52	1.07	0.31	1124
28	18	3.23	2.67	0.83	840	3.09	2.55	0.83	882	2.97	2.45	0.83	924	2.86	2.36	0.83	966
28	20	3.37	2.37	0.71	882	3.23	2.28	0.71	935	3.14	2.21	0.71	956	3.03	2.13	0.71	998
28	22	3.51	2.05	0.59	914	3.38	1.98	0.59	971	3.30	1.93	0.59	998	3.16	1.85	0.59	1040
28	24	3.69	1.71	0.47	956	3.55	1.65	0.47	1008	3.47	1.61	0.47	1040	3.36	1.56	0.47	1092
28	26	3.80	1.31	0.35	1008	3.69	1.27	0.35	1061	3.63	1.25	0.35	1092	3.52	1.21	0.35	1124
29	18	3.23	2.80	0.87	840	3.09	2.68	0.87	882	2.97	2.57	0.87	924	2.86	2.47	0.87	966
29	20	3.37	2.51	0.75	882	3.23	2.41	0.75	935	3.14	2.34	0.75	956	3.03	2.25	0.75	998
29	22	3.51	2.19	0.63	914	3.38	2.11	0.63	971	3.30	2.06	0.63	998	3.16	1.98	0.63	1040
29	24	3.69	1.86	0.51	956	3.55	1.79	0.51	1008	3.47	1.75	0.51	1040	3.36	1.69	0.51	1092
29	26	3.80	1.46	0.39	1008	3.69	1.42	0.39	1061	3.63	1.40	0.39	1092	3.52	1.36	0.39	1124
30	18	3.23	2.92	0.91	840	3.09	2.80	0.91	882	2.97	2.69	0.91	924	2.86	2.59	0.91	966
30	20	3.37	2.64	0.79	882	3.23	2.54	0.79	935	3.14	2.46	0.79	956	3.03	2.37	0.79	998
30	22	3.51	2.33	0.67	914	3.38	2.25	0.67	971	3.30	2.19	0.67	998	3.16	2.10	0.67	1040
30	24	3.69	2.01	0.55	956	3.55	1.93	0.55	1008	3.47	1.89	0.55	1040	3.36	1.83	0.55	1092
30	26	3.80	1.61	0.43	1008	3.69	1.57	0.43	1061	3.63	1.54	0.43	1092	3.52	1.50	0.43	1124
31	18	3.23	3.05	0.95	840	3.09	2.92	0.95	882	2.97	2.81	0.95	924	2.86	2.70	0.95	966
31	20	3.37	2.78	0.83	882	3.23	2.67	0.83	935	3.14	2.59	0.83	956	3.03	2.50	0.83	998
31	22	3.51	2.47	0.71	914	3.38	2.38	0.71	971	3.30	2.33	0.71	998	3.16	2.23	0.71	1040
31	24	3.69	2.16	0.59	956	3.55	2.08	0.59	1008	3.47	2.03	0.59	1040	3.36	1.96	0.59	1092
31	26	3.80	1.76	0.47	1008	3.69	1.71	0.47	1061	3.63	1.69	0.47	1092	3.52	1.64	0.47	1124
32	18	3.23	3.18	0.99	840	3.09	3.05	0.99	882	2.97	2.93	0.99	924	2.86	2.82	0.99	966
32	20	3.37	2.91	0.87	882	3.23	2.80	0.87	935	3.14	2.71	0.87	956	3.03	2.62	0.87	998
32	22	3.51	2.61	0.75	914	3.38	2.52	0.75	971	3.30	2.46	0.75	998	3.16	2.36	0.75	1040
32	24	3.69	2.30	0.63	956	3.55	2.22	0.63	1008	3.47	2.17	0.63	1040	3.36	2.10	0.63	1092
32	26	3.80	1.92	0.51	1008	3.69	1.86	0.51	1061	3.63	1.83	0.51	1092	3.52	1.78	0.51	1124

**NOTE** Q :Total capacity (kW) SHF :Sensible heat factor DB :Dry-bulb temperature  
 SHC :Sensible heat capacity (kW) INPUT :Total power input (W) WB :Wet-bulb temperature

**PERFORMANCE DATA**  
**COOL operation (230V)**

**MSC-A09WV -[E1] MSC-A09YV -[E1](Single : Room C ) : MUX-A26WV -[E1]**

CAPACITY : 2.75(kW) SHF : 0.73 INPUT : 1050(W)

		OUTDOOR DB(°C)											
INDOOR DB(°C)	INDOOR WB(°C)	35				40				43			
		Q	SHC	SHF	INPUT	Q	SHC	SHF	INPUT	Q	SHC	SHF	INPUT
21	18	2.70	1.47	0.55	1029	2.48	1.35	0.55	1092	2.38	1.30	0.55	1113
21	20	2.83	1.20	0.43	1071	2.64	1.12	0.43	1124	2.54	1.08	0.43	1155
22	18	2.70	1.58	0.59	1029	2.48	1.45	0.59	1092	2.38	1.39	0.59	1113
22	20	2.83	1.32	0.47	1071	2.64	1.23	0.47	1124	2.54	1.18	0.47	1155
22	22	3.00	1.03	0.35	1113	2.81	0.97	0.35	1176	2.71	0.93	0.35	1197
23	18	2.70	1.68	0.63	1029	2.48	1.55	0.63	1092	2.38	1.49	0.63	1113
23	20	2.83	1.43	0.51	1071	2.64	1.33	0.51	1124	2.54	1.28	0.51	1155
23	22	3.00	1.15	0.39	1113	2.81	1.08	0.39	1176	2.71	1.04	0.39	1197
24	18	2.70	1.79	0.67	1029	2.48	1.65	0.67	1092	2.38	1.58	0.67	1113
24	20	2.83	1.54	0.55	1071	2.64	1.44	0.55	1124	2.54	1.39	0.55	1155
24	22	3.00	1.27	0.43	1113	2.81	1.19	0.43	1176	2.71	1.15	0.43	1197
24	24	3.16	0.96	0.31	1155	2.97	0.91	0.31	1208	2.89	0.88	0.31	1234
25	18	2.70	1.90	0.71	1029	2.48	1.74	0.71	1092	2.38	1.68	0.71	1113
25	20	2.83	1.66	0.59	1071	2.64	1.54	0.59	1124	2.54	1.49	0.59	1155
25	22	3.00	1.39	0.47	1113	2.81	1.30	0.47	1176	2.71	1.26	0.47	1197
25	24	3.16	1.09	0.35	1155	2.97	1.02	0.35	1208	2.89	1.00	0.35	1234
26	18	2.70	2.01	0.75	1029	2.48	1.84	0.75	1092	2.38	1.77	0.75	1113
26	20	2.83	1.77	0.63	1071	2.64	1.65	0.63	1124	2.54	1.59	0.63	1155
26	22	3.00	1.51	0.51	1113	2.81	1.42	0.51	1176	2.71	1.37	0.51	1197
26	24	3.16	1.22	0.39	1155	2.97	1.14	0.39	1208	2.89	1.11	0.39	1234
26	26	3.33	0.88	0.27	1197	3.14	0.83	0.27	1250	3.04	0.81	0.27	1276
27	18	2.70	2.12	0.79	1029	2.48	1.94	0.79	1092	2.38	1.87	0.79	1113
27	20	2.83	1.88	0.67	1071	2.64	1.76	0.67	1124	2.54	1.69	0.67	1155
27	22	3.00	1.63	0.55	1113	2.81	1.53	0.55	1176	2.71	1.48	0.55	1197
27	24	3.16	1.34	0.43	1155	2.97	1.26	0.43	1208	2.89	1.23	0.43	1234
27	26	3.33	1.01	0.31	1197	3.14	0.96	0.31	1250	3.04	0.93	0.31	1276
28	18	2.70	2.22	0.83	1029	2.48	2.04	0.83	1092	2.38	1.96	0.83	1113
28	20	2.83	2.00	0.71	1071	2.64	1.86	0.71	1124	2.54	1.79	0.71	1155
28	22	3.00	1.75	0.59	1113	2.81	1.64	0.59	1176	2.71	1.58	0.59	1197
28	24	3.16	1.47	0.47	1155	2.97	1.38	0.47	1208	2.89	1.34	0.47	1234
28	26	3.33	1.15	0.35	1197	3.14	1.08	0.35	1250	3.04	1.05	0.35	1276
29	18	2.70	2.33	0.87	1029	2.48	2.14	0.87	1092	2.38	2.06	0.87	1113
29	20	2.83	2.11	0.75	1071	2.64	1.97	0.75	1124	2.54	1.90	0.75	1155
29	22	3.00	1.87	0.63	1113	2.81	1.75	0.63	1176	2.71	1.69	0.63	1197
29	24	3.16	1.60	0.51	1155	2.97	1.50	0.51	1208	2.89	1.46	0.51	1234
29	26	3.33	1.28	0.39	1197	3.14	1.21	0.39	1250	3.04	1.17	0.39	1276
30	18	2.70	2.44	0.91	1029	2.48	2.24	0.91	1092	2.38	2.15	0.91	1113
30	20	2.83	2.22	0.79	1071	2.64	2.07	0.79	1124	2.54	2.00	0.79	1155
30	22	3.00	1.99	0.67	1113	2.81	1.87	0.67	1176	2.71	1.80	0.67	1197
30	24	3.16	1.72	0.55	1155	2.97	1.62	0.55	1208	2.89	1.57	0.55	1234
30	26	3.33	1.41	0.43	1197	3.14	1.33	0.43	1250	3.04	1.29	0.43	1276
31	18	2.70	2.55	0.95	1029	2.48	2.34	0.95	1092	2.38	2.25	0.95	1113
31	20	2.83	2.34	0.83	1071	2.64	2.18	0.83	1124	2.54	2.10	0.83	1155
31	22	3.00	2.11	0.71	1113	2.81	1.98	0.71	1176	2.71	1.91	0.71	1197
31	24	3.16	1.85	0.59	1155	2.97	1.74	0.59	1208	2.89	1.69	0.59	1234
31	26	3.33	1.55	0.47	1197	3.14	1.46	0.47	1250	3.04	1.41	0.47	1276
32	18	2.70	2.65	0.99	1029	2.48	2.44	0.99	1092	2.38	2.34	0.99	1113
32	20	2.83	2.45	0.87	1071	2.64	2.28	0.87	1124	2.54	2.20	0.87	1155
32	22	3.00	2.23	0.75	1113	2.81	2.09	0.75	1176	2.71	2.02	0.75	1197
32	24	3.16	1.98	0.63	1155	2.97	1.86	0.63	1208	2.89	1.80	0.63	1234
32	26	3.33	1.68	0.51	1197	3.14	1.58	0.51	1250	3.04	1.53	0.51	1276

**NOTE** Q :Total capacity (kW) SHF :Sensible heat factor DB :Dry-bulb temperature  
SHC :Sensible heat capacity (kW) INPUT :Total power input (W) WB :Wet-bulb temperature



**PERFORMANCE DATA**

**COOL operation (230V)**

**MSC-A12WV -[E1] MSC-A12YV -[E1](Single : Room A) : MUX-A26WV -[E1]**

CAPACITY : 3.4(kW) SHF : 0.77 INPUT : 1220(W)

		OUTDOOR DB(°C)															
INDOOR DB(°C)	INDOOR WB(°C)	21				25				27				30			
		Q	SHC	SHF	INPUT	Q	SHC	SHF	INPUT	Q	SHC	SHF	INPUT	Q	SHC	SHF	INPUT
21	18	4.00	2.37	0.59	976	3.83	2.27	0.59	1025	3.67	2.18	0.59	1074	3.54	2.10	0.59	1122
21	20	4.17	1.97	0.47	1025	4.00	1.89	0.47	1086	3.88	1.83	0.47	1110	3.74	1.77	0.47	1159
22	18	4.00	2.53	0.63	976	3.83	2.42	0.63	1025	3.67	2.32	0.63	1074	3.54	2.24	0.63	1122
22	20	4.17	2.14	0.51	1025	4.00	2.05	0.51	1086	3.88	1.99	0.51	1110	3.74	1.92	0.51	1159
22	22	4.34	1.70	0.39	1061	4.18	1.64	0.39	1129	4.08	1.60	0.39	1159	3.91	1.54	0.39	1208
23	18	4.00	2.69	0.67	976	3.83	2.57	0.67	1025	3.67	2.47	0.67	1074	3.54	2.38	0.67	1122
23	20	4.17	2.30	0.55	1025	4.00	2.21	0.55	1086	3.88	2.14	0.55	1110	3.74	2.07	0.55	1159
23	22	4.34	1.88	0.43	1061	4.18	1.81	0.43	1129	4.08	1.77	0.43	1159	3.91	1.69	0.43	1208
24	18	4.00	2.85	0.71	976	3.83	2.73	0.71	1025	3.67	2.62	0.71	1074	3.54	2.52	0.71	1122
24	20	4.17	2.47	0.59	1025	4.00	2.37	0.59	1086	3.88	2.30	0.59	1110	3.74	2.22	0.59	1159
24	22	4.34	2.05	0.47	1061	4.18	1.98	0.47	1129	4.08	1.93	0.47	1159	3.91	1.85	0.47	1208
24	24	4.56	1.61	0.35	1110	4.39	1.55	0.35	1171	4.28	1.51	0.35	1208	4.15	1.46	0.35	1269
25	18	4.00	3.01	0.75	976	3.83	2.88	0.75	1025	3.67	2.77	0.75	1074	3.54	2.66	0.75	1122
25	20	4.17	2.64	0.63	1025	4.00	2.53	0.63	1086	3.88	2.45	0.63	1110	3.74	2.37	0.63	1159
25	22	4.34	2.22	0.51	1061	4.18	2.15	0.51	1129	4.08	2.09	0.51	1159	3.91	2.01	0.51	1208
25	24	4.56	1.79	0.39	1110	4.39	1.72	0.39	1171	4.28	1.68	0.39	1208	4.15	1.63	0.39	1269
26	18	4.00	3.17	0.79	976	3.83	3.03	0.79	1025	3.67	2.91	0.79	1074	3.54	2.80	0.79	1122
26	20	4.17	2.80	0.67	1025	4.00	2.69	0.67	1086	3.88	2.61	0.67	1110	3.74	2.52	0.67	1159
26	22	4.34	2.40	0.55	1061	4.18	2.31	0.55	1129	4.08	2.26	0.55	1159	3.91	2.16	0.55	1208
26	24	4.56	1.97	0.43	1110	4.39	1.90	0.43	1171	4.28	1.85	0.43	1208	4.15	1.80	0.43	1269
26	26	4.69	1.47	0.31	1171	4.56	1.43	0.31	1232	4.49	1.40	0.31	1269	4.35	1.36	0.31	1305
27	18	4.00	3.33	0.83	976	3.83	3.19	0.83	1025	3.67	3.06	0.83	1074	3.54	2.95	0.83	1122
27	20	4.17	2.97	0.71	1025	4.00	2.85	0.71	1086	3.88	2.76	0.71	1110	3.74	2.67	0.71	1159
27	22	4.34	2.57	0.59	1061	4.18	2.48	0.59	1129	4.08	2.42	0.59	1159	3.91	2.32	0.59	1208
27	24	4.56	2.15	0.47	1110	4.39	2.07	0.47	1171	4.28	2.03	0.47	1208	4.15	1.96	0.47	1269
27	26	4.69	1.66	0.35	1171	4.56	1.61	0.35	1232	4.49	1.58	0.35	1269	4.35	1.54	0.35	1305
28	18	4.00	3.49	0.87	976	3.83	3.34	0.87	1025	3.67	3.21	0.87	1074	3.54	3.09	0.87	1122
28	20	4.17	3.14	0.75	1025	4.00	3.01	0.75	1086	3.88	2.92	0.75	1110	3.74	2.82	0.75	1159
28	22	4.34	2.74	0.63	1061	4.18	2.65	0.63	1129	4.08	2.58	0.63	1159	3.91	2.48	0.63	1208
28	24	4.56	2.34	0.51	1110	4.39	2.25	0.51	1171	4.28	2.20	0.51	1208	4.15	2.13	0.51	1269
28	26	4.69	1.84	0.39	1171	4.56	1.79	0.39	1232	4.49	1.76	0.39	1269	4.35	1.71	0.39	1305
29	18	4.00	3.65	0.91	976	3.83	3.49	0.91	1025	3.67	3.35	0.91	1074	3.54	3.23	0.91	1122
29	20	4.17	3.30	0.79	1025	4.00	3.17	0.79	1086	3.88	3.07	0.79	1110	3.74	2.97	0.79	1159
29	22	4.34	2.92	0.67	1061	4.18	2.81	0.67	1129	4.08	2.75	0.67	1159	3.91	2.63	0.67	1208
29	24	4.56	2.52	0.55	1110	4.39	2.43	0.55	1171	4.28	2.37	0.55	1208	4.15	2.29	0.55	1269
29	26	4.69	2.03	0.43	1171	4.56	1.97	0.43	1232	4.49	1.94	0.43	1269	4.35	1.88	0.43	1305
30	18	4.00	3.81	0.95	976	3.83	3.65	0.95	1025	3.67	3.50	0.95	1074	3.54	3.37	0.95	1122
30	20	4.17	3.47	0.83	1025	4.00	3.33	0.83	1086	3.88	3.23	0.83	1110	3.74	3.12	0.83	1159
30	22	4.34	3.09	0.71	1061	4.18	2.98	0.71	1129	4.08	2.91	0.71	1159	3.91	2.79	0.71	1208
30	24	4.56	2.70	0.59	1110	4.39	2.60	0.59	1171	4.28	2.54	0.59	1208	4.15	2.46	0.59	1269
30	26	4.69	2.22	0.47	1171	4.56	2.15	0.47	1232	4.49	2.12	0.47	1269	4.35	2.06	0.47	1305
31	18	4.00	3.97	0.99	976	3.83	3.80	0.99	1025	3.67	3.65	0.99	1074	3.54	3.51	0.99	1122
31	20	4.17	3.64	0.87	1025	4.00	3.49	0.87	1086	3.88	3.38	0.87	1110	3.74	3.27	0.87	1159
31	22	4.34	3.26	0.75	1061	4.18	3.15	0.75	1129	4.08	3.07	0.75	1159	3.91	2.94	0.75	1208
31	24	4.56	2.88	0.63	1110	4.39	2.78	0.63	1171	4.28	2.71	0.63	1208	4.15	2.63	0.63	1269
31	26	4.69	2.41	0.51	1171	4.56	2.34	0.51	1232	4.49	2.30	0.51	1269	4.35	2.23	0.51	1305
32	18	4.00	4.13	1.03	976	3.83	3.95	1.03	1025	3.67	3.79	1.03	1074	3.54	3.65	1.03	1122
32	20	4.17	3.80	0.91	1025	4.00	3.65	0.91	1086	3.88	3.54	0.91	1110	3.74	3.41	0.91	1159
32	22	4.34	3.44	0.79	1061	4.18	3.32	0.79	1129	4.08	3.24	0.79	1159	3.91	3.10	0.79	1208
32	24	4.56	3.07	0.67	1110	4.39	2.95	0.67	1171	4.28	2.88	0.67	1208	4.15	2.79	0.67	1269
32	26	4.69	2.59	0.55	1171	4.56	2.52	0.55	1232	4.49	2.48	0.55	1269	4.35	2.41	0.55	1305

**NOTE** Q :Total capacity (kW)

SHF :Sensible heat factor

DB :Dry-bulb temperature

SHC :Sensible heat capacity (kW)

INPUT :Total power input (W)

WB :Wet-bulb temperature

**PERFORMANCE DATA**  
**COOL operation (230V)**

**MSC-A12WV -[E1] MSC-A12YV -[E1] (Single : Room A) : MUX-A26WV -[E1]**

CAPACITY : 3.4(kW) SHF : 0.77 INPUT : 1220(W)

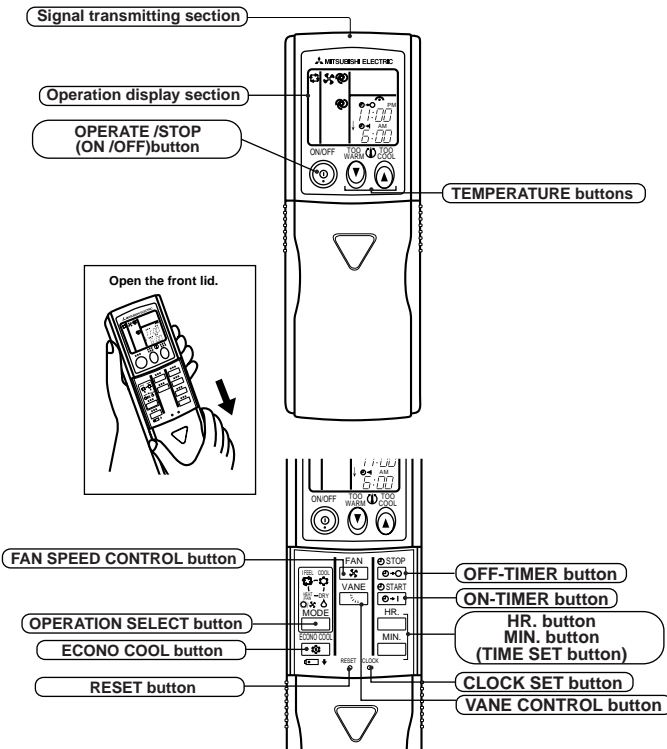
		OUTDOOR DB(°C)											
INDOOR DB(°C)	INDOOR WB(°C)	35				40				43			
		Q	SHC	SHF	INPUT	Q	SHC	SHF	INPUT	Q	SHC	SHF	INPUT
21	18	3.33	1.98	0.59	1196	3.06	1.81	0.59	1269	2.94	1.74	0.59	1293
21	20	3.50	1.66	0.47	1244	3.26	1.54	0.47	1305	3.15	1.49	0.47	1342
22	18	3.33	2.11	0.63	1196	3.06	1.94	0.63	1269	2.94	1.86	0.63	1293
22	20	3.50	1.80	0.51	1244	3.26	1.67	0.51	1305	3.15	1.61	0.51	1342
22	22	3.71	1.46	0.39	1293	3.47	1.36	0.39	1366	3.35	1.32	0.39	1391
23	18	3.33	2.24	0.67	1196	3.06	2.06	0.67	1269	2.94	1.98	0.67	1293
23	20	3.50	1.94	0.55	1244	3.26	1.80	0.55	1305	3.15	1.74	0.55	1342
23	22	3.71	1.60	0.43	1293	3.47	1.50	0.43	1366	3.35	1.45	0.43	1391
24	18	3.33	2.38	0.71	1196	3.06	2.18	0.71	1269	2.94	2.10	0.71	1293
24	20	3.50	2.08	0.59	1244	3.26	1.94	0.59	1305	3.15	1.86	0.59	1342
24	22	3.71	1.75	0.47	1293	3.47	1.64	0.47	1366	3.35	1.58	0.47	1391
24	24	3.91	1.38	0.35	1342	3.67	1.30	0.35	1403	3.57	1.26	0.35	1434
25	18	3.33	2.51	0.75	1196	3.06	2.30	0.75	1269	2.94	2.21	0.75	1293
25	20	3.50	2.22	0.63	1244	3.26	2.07	0.63	1305	3.15	1.99	0.63	1342
25	22	3.71	1.90	0.51	1293	3.47	1.78	0.51	1366	3.35	1.72	0.51	1391
25	24	3.91	1.54	0.39	1342	3.67	1.44	0.39	1403	3.57	1.40	0.39	1434
26	18	3.33	2.64	0.79	1196	3.06	2.43	0.79	1269	2.94	2.33	0.79	1293
26	20	3.50	2.36	0.67	1244	3.26	2.20	0.67	1305	3.15	2.12	0.67	1342
26	22	3.71	2.05	0.55	1293	3.47	1.92	0.55	1366	3.35	1.85	0.55	1391
26	24	3.91	1.69	0.43	1342	3.67	1.59	0.43	1403	3.57	1.55	0.43	1434
26	26	4.11	1.29	0.31	1391	3.88	1.21	0.31	1452	3.76	1.18	0.31	1482
27	18	3.33	2.78	0.83	1196	3.06	2.55	0.83	1269	2.94	2.45	0.83	1293
27	20	3.50	2.50	0.71	1244	3.26	2.33	0.71	1305	3.15	2.24	0.71	1342
27	22	3.71	2.20	0.59	1293	3.47	2.06	0.59	1366	3.35	1.99	0.59	1391
27	24	3.91	1.85	0.47	1342	3.67	1.74	0.47	1403	3.57	1.69	0.47	1434
27	26	4.11	1.45	0.35	1391	3.88	1.37	0.35	1452	3.76	1.33	0.35	1482
28	18	3.33	2.91	0.87	1196	3.06	2.67	0.87	1269	2.94	2.57	0.87	1293
28	20	3.50	2.64	0.75	1244	3.26	2.46	0.75	1305	3.15	2.37	0.75	1342
28	22	3.71	2.35	0.63	1293	3.47	2.20	0.63	1366	3.35	2.12	0.63	1391
28	24	3.91	2.01	0.51	1342	3.67	1.88	0.51	1403	3.57	1.83	0.51	1434
28	26	4.11	1.62	0.39	1391	3.88	1.52	0.39	1452	3.76	1.48	0.39	1482
29	18	3.33	3.04	0.91	1196	3.06	2.79	0.91	1269	2.94	2.69	0.91	1293
29	20	3.50	2.78	0.79	1244	3.26	2.59	0.79	1305	3.15	2.49	0.79	1342
29	22	3.71	2.49	0.67	1293	3.47	2.33	0.67	1366	3.35	2.25	0.67	1391
29	24	3.91	2.16	0.55	1342	3.67	2.03	0.55	1403	3.57	1.97	0.55	1434
29	26	4.11	1.78	0.43	1391	3.88	1.68	0.43	1452	3.76	1.63	0.43	1482
30	18	3.33	3.18	0.95	1196	3.06	2.92	0.95	1269	2.94	2.80	0.95	1293
30	20	3.50	2.92	0.83	1244	3.26	2.72	0.83	1305	3.15	2.62	0.83	1342
30	22	3.71	2.64	0.71	1293	3.47	2.47	0.71	1366	3.35	2.39	0.71	1391
30	24	3.91	2.32	0.59	1342	3.67	2.18	0.59	1403	3.57	2.12	0.59	1434
30	26	4.11	1.95	0.47	1391	3.88	1.83	0.47	1452	3.76	1.78	0.47	1482
31	18	3.33	3.31	0.99	1196	3.06	3.04	0.99	1269	2.94	2.92	0.99	1293
31	20	3.50	3.06	0.87	1244	3.26	2.85	0.87	1305	3.15	2.75	0.87	1342
31	22	3.71	2.79	0.75	1293	3.47	2.61	0.75	1366	3.35	2.52	0.75	1391
31	24	3.91	2.48	0.63	1342	3.67	2.32	0.63	1403	3.57	2.26	0.63	1434
31	26	4.11	2.11	0.51	1391	3.88	1.99	0.51	1452	3.76	1.93	0.51	1482
32	18	3.33	3.44	1.03	1196	3.06	3.16	1.03	1269	2.94	3.04	1.03	1293
32	20	3.50	3.20	0.91	1244	3.26	2.98	0.91	1305	3.15	2.87	0.91	1342
32	22	3.71	2.94	0.79	1293	3.47	2.75	0.79	1366	3.35	2.66	0.79	1391
32	24	3.91	2.63	0.67	1342	3.67	2.47	0.67	1403	3.57	2.40	0.67	1434
32	26	4.11	2.28	0.55	1391	3.88	2.14	0.55	1452	3.76	2.08	0.55	1482

**NOTE** Q :Total capacity (kW) SHF :Sensible heat factor DB :Dry-bulb temperature  
SHC :Sensible heat capacity (kW) INPUT :Total power input (W) WB :Wet-bulb temperature

- MSC-A07WV -E1    MU-A07WV -E1    MUH-A07WV -E1    MUX-A10WV -E1    MUX-A25WV -E1
- MSC-A09WV -E1    MU-A09WV -E1    MUH-A09WV -E1    MUX-A19WV -E1    MUX-A26WV -E1
- MSC-A12WV -E1    MU-A12WV -E1    MUH-A12WV -E1    MUX-A20WV -E1

Once the operation mode are set, the same operation mode can be repeated by simply turning the OPERATE/STOP (ON/OFF) button ON. Indoor unit receives the signal with a beep tone.  
 When the system turns off, 3-minute time delay will operate to protect system from overload and compressor will not restart for 3 minutes.

**WIRELESS REMOTE CONTROLLER**

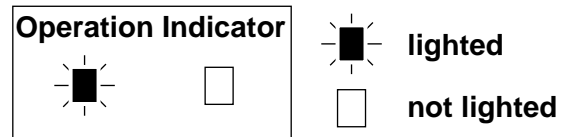


**INDOOR UNIT DISPLAY SECTION**

**Operation Indicator lamp**

The operation indicator at the right side of the indoor unit indicates the operation state.

- The following indication does not depend on the shape of lamp.



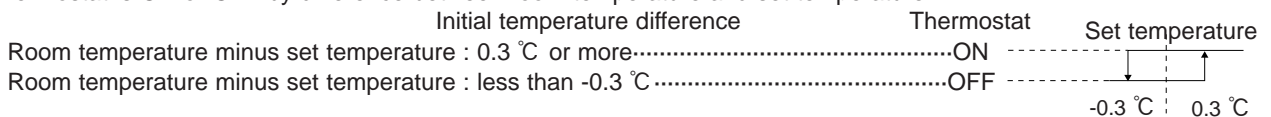
Indication	Operation state	Difference between target temperature and room temperature
	This shows that the air conditioner is operating to reach the target temperature. Please wait until the target temperature is obtained.	Approx. 2 °C or more
	This shows that the room temperature is approaching the target temperature.	Approx. 2 °C or less

**10-1. COOL ( ) OPERATION**

- (1) Press OPERATE/STOP(ON/OFF) button. OPERATION INDICATOR lamp of the indoor unit turns on with a beep tone.
- (2) Select COOL mode with the OPERATION SELECT button.
- (3) Press TEMPERATURE buttons (TOO WARM or TOO COOL button)to select the desired temperature.  
 The setting range is 16 ~ 31°C

**1. Thermostat control**

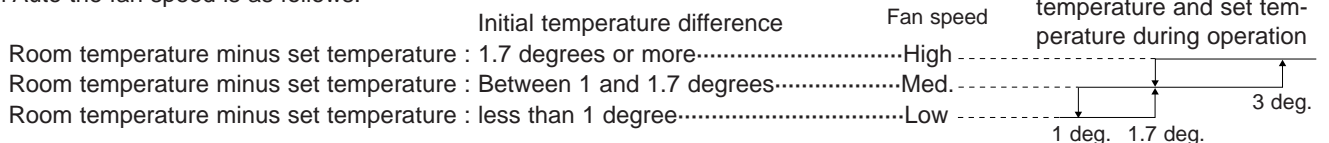
Thermostat is ON or OFF by difference between room temperature and set temperature



Difference between room temperature and set temperature during operation

**2. Indoor fan speed control**

Indoor fan operates continuously at the set speed by FAN SPEED CONTROL button regardless of thermostat's OFF-ON.  
 In Auto the fan speed is as follows.



Difference between room temperature and set temperature during operation

### 3. Coil frost prevention

#### ① Temperature control

When the indoor coil thermistor RT12 reads 4°C or below(MSC-A07/A09WV) / 0°C or below(MSC-A12WV) for 5 minutes, the coil frost prevention mode starts.

The indoor fan operates at the set speed and the compressor stops for 5 minutes.

After that, if RT12 still reads below 4°C (MSC-A07/A09WV) / 0°C (MSC-A12WV), this mode is prolonged until the RT12 reads over 4°C (MSC-A07/A09WV) / 0°C (MSC-A12WV).

#### ② Time control

When the three conditions as follows have been satisfied for 1 hour and 45 minutes, the compressor stops for 3 minutes. The indoor fan operates at the set speed.

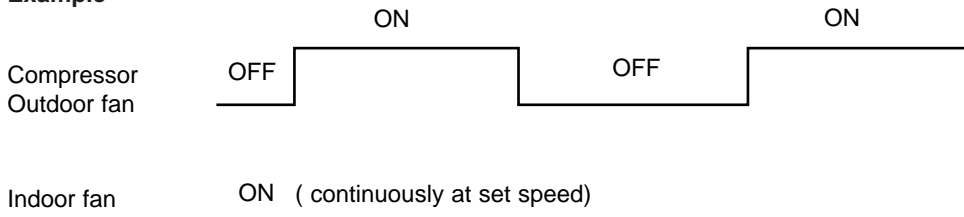
- a. Compressor has been continuously operating.
- b. Indoor fan speed is Low or Med.
- c. Room temperature is below 26°C.

When compressor stops, the accumulated time is cancelled. When compressor restarts, time counting starts from the beginning.

Time counting also stops temporarily when the indoor fan speed becomes High or the room temperature exceeds 26°C. However, when two of the above conditions (b.and c.) are satisfied again, time accumulation is resumed.

### Operation chart

#### Example



### 10-2. DRY (△) OPERATION

- (1) Press OPERATE/STOP(ON/OFF) button.

OPERATION INDICATOR lamp of the indoor unit turns on with a beep tone.

- (2) Select DRY mode with the OPERATION SELECT button.

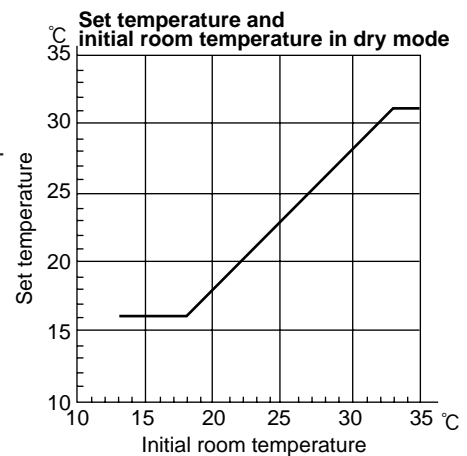
- (3) The microprocessor reads the room temperature and determines the set temperature. Set temperature is as shown on the right chart.

DRY operation will not function when the room temperature is 13°C or below.

- (4) When DRY operation functions the fan speed is lower than COOL operation except at (fan speed) Low.

The system for dry operation uses the same refrigerant circuit as the cooling circuit.

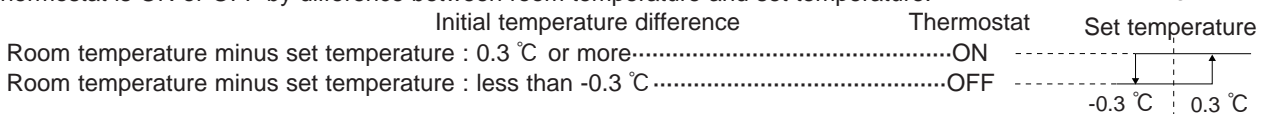
The compressor and the indoor fan are controlled by the room temperature.



#### 1. Thermostat control

Thermostat is ON or OFF by difference between room temperature and set temperature.

Difference between room temperature and set temperature during operation



#### 2. Indoor fan speed control

Indoor fan operates at the set speed by FAN SPEED CONTROL button.

In Auto fan speed becomes Low.

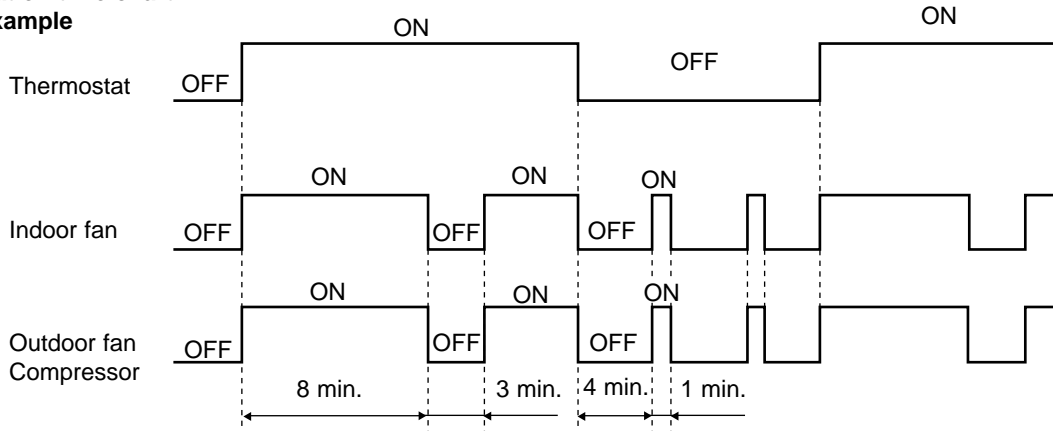
#### 3. The operation of the compressor and indoor / outdoor fan <MU-A07/A09/A12WV, MUH-A07/A09/A12WV, MUX-A10/A19/A20/A22/A25/A26WV>

Compressor operates by room temperature control and time control.

Indoor fan and outdoor fan operate in the same cycle as the compressor.

- When the room temperature is 23°C or over:
  - When the thermostat is ON, the compressor repeats 8 minutes ON and 3 minutes OFF.
  - When the thermostat is OFF, the compressor repeats 4 minutes OFF and 1 minute ON.
- When the room temperature is under 23°C.
  - When the thermostat is ON, the compressor repeats 2 minutes ON and 3 minutes OFF.
  - When the thermostat is OFF, the compressor repeats 4 minutes OFF and 1 minute ON.

**Operation time chart**  
**Example**



**4. Coil frost prevention**

The operation is as same as coil frost prevention during COOL operation.(Refer to 10-1.3.)  
 However when coil frost prevention works while the indoor fan is OFF, its speed becomes set speed.

**10-3. FAN ( ) OPERATION <MU-A07/A09/A12WV, MUX-A10/A19/A20/A22/A25/A26WV>**

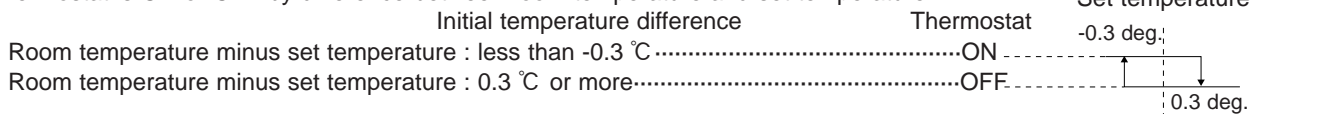
- (1) Press OPERATE/STOP(ON/OFF) button. OPERATION INDICATOR lamp of the indoor unit turns on with a beep tone.
- (2) Select FAN mode with the OPERATION SELECT button.
- (3) Select the desired fan speed. When AUTO, it becomes Low.  
 Only indoor fan operates.  
 Outdoor unit does not operate.

**10-4. HEAT ( ) OPERATION <MUH-A07/A09/A12WV, MXZ-A18/A26/A32WV>**

- (1) Press OPERATE/STOP(ON/OFF) button.  
 OPERATION INDICATOR lamp of the indoor unit turns on with a beep tone.
- (2) Select HEAT mode with the OPERATION SELECT button.
- (3) Press TEMPERATURE buttons (TOO WARM or TOO COOL button) to select the desired temperature.  
 The setting range is 16 ~ 31°C.

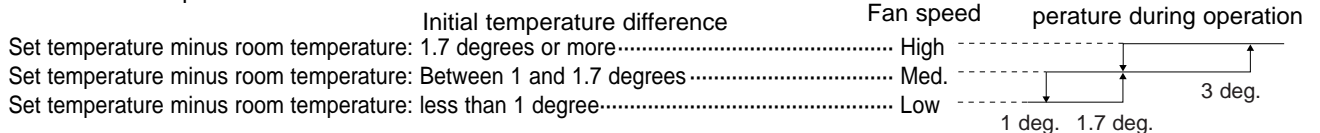
**1. Thermostat control**

Thermostat is ON or OFF by difference between room temperature and set temperature.



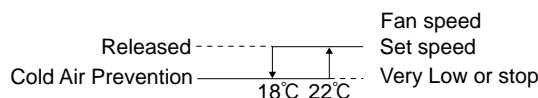
**2. Indoor fan speed control**

- (1) Indoor fan operates at the set speed by FAN SPEED CONTROL button.  
 In Auto the fan speed is as follows.



**(2) Cold air prevention control**

- ① When the compressor is not operating,
  - ( I ) if the temperature of indoor coil thermistor RT12 is 0°C or less, the fan stops.
  - ( II ) if the temperature of indoor coil thermistor RT12 is more than 0°C, the fan operates at Very Low.
- ② When the compressor is operating,
  - ( I ) if the temperature of RT12 is 22°C or more, the fan operates at set speed.
  - ( II ) if the temperature of RT12 is less than 22°C and
    - ( i ) if the temperature of room temperature thermistor RT11 is 15°C or less, the fan stops.
    - ( ii ) if the temperature of room temperature thermistor RT11 is more than 15°C, the fan operates at Very Low.



**NOTE :** If the temperature of RT12 reads from 18°C to 22°C at the air conditioner starting and also after defrosting, this control works.

(3) Warm air control.

When the following any condition of ① (a. ~ c.) and the condition of ② are satisfied at the same time, warm air control works.

- ① a.) When outdoor unit starts operating in HEAT mode.
- b.) When cold air prevention has been released.
- c.) When defrosting has been finished
- ② When the temperature of indoor coil thermistor RT12 is less than 37°C.

When warm air control works, the fan speed changes as follows to blow out warm air gradually.

**Gradation of fan speed in initial**

<Time condition>	<Indoor fan speed>
less than 2 minutes-----	Low
2 minutes to 4 minutes-----	Med.
more than 4 minutes-----	High

The upper limit of the fan speed in MANUAL is the set speed.

The upper limit of the fan speed in AUTO is the speed decided by indoor fan speed control.(Refer to 10-4.2.(1).)

When the temperature of RT12 has been 37°C or more, or when the set speed has been changed, this control is released and the fan speed is the set speed.

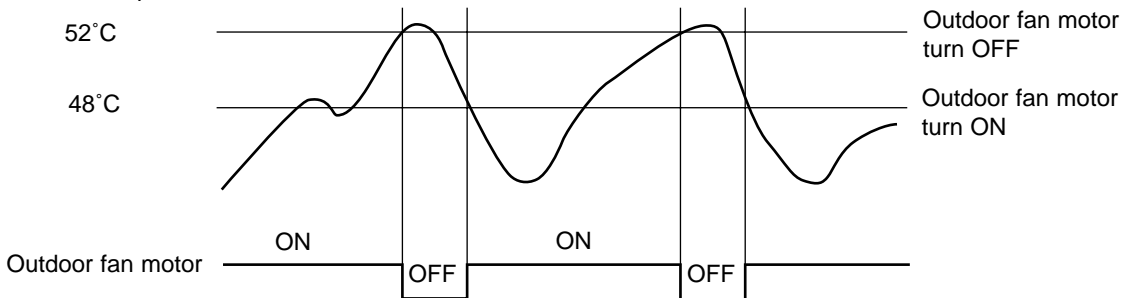
**3. High pressure protection <MUH-A07/A09/A12WV>**

During heating operation, the outdoor fan motor is controlled by the temperature of indoor coil thermistor RT12 for excess rise protection of compressor discharge pressure.

Outdoor fan OFF: 52°C  
 Outdoor fan ON: 48°C

**Operation chart  
 Example**

Indoor coil thermistor  
 RT12 temperature



**NOTE :** During high pressure protection and for 4 min. and 15 sec. after high pressure protection, defrosting of outdoor heat exchanger is not detected by the defrost thermistor RT61.(Refer to 10-4.4. Defrosting.)

#### 4. Defrosting <MUH-A07/A09/A12WV>

Defrosting of outdoor heat exchanger is controlled by DEICER P.C. board, with detection by the defrost thermistor RT61.

(1) Starting conditions of defrost

When all conditions of a) ~ c) are satisfied, the defrosting operation starts.

- a) The compressor cumulative operation time exceeds 40 minutes without the defrosting operation working.
- b) RT61 reads - 3°C or less.
- c) After releasing the high pressure protection 4 minutes and 15 seconds have elapsed.

(2) Releasing conditions of defrost

When the condition d) or e) is satisfied, the defrosting operation stops.

- d) RT61 reads 3.1°C or more.
- e) The defrosting time exceeds 10 minutes.

#### Operation time chart

##### Example

Defrost thermistor RT61

3.1°C or more

-3°C or less

Outdoor 52C  
contactor  
(Compressor)

ON  
OFF

X62  
(R.V. coil)

ON  
OFF

SR61  
Outdoor fan

ON  
OFF

Defrost  
counter

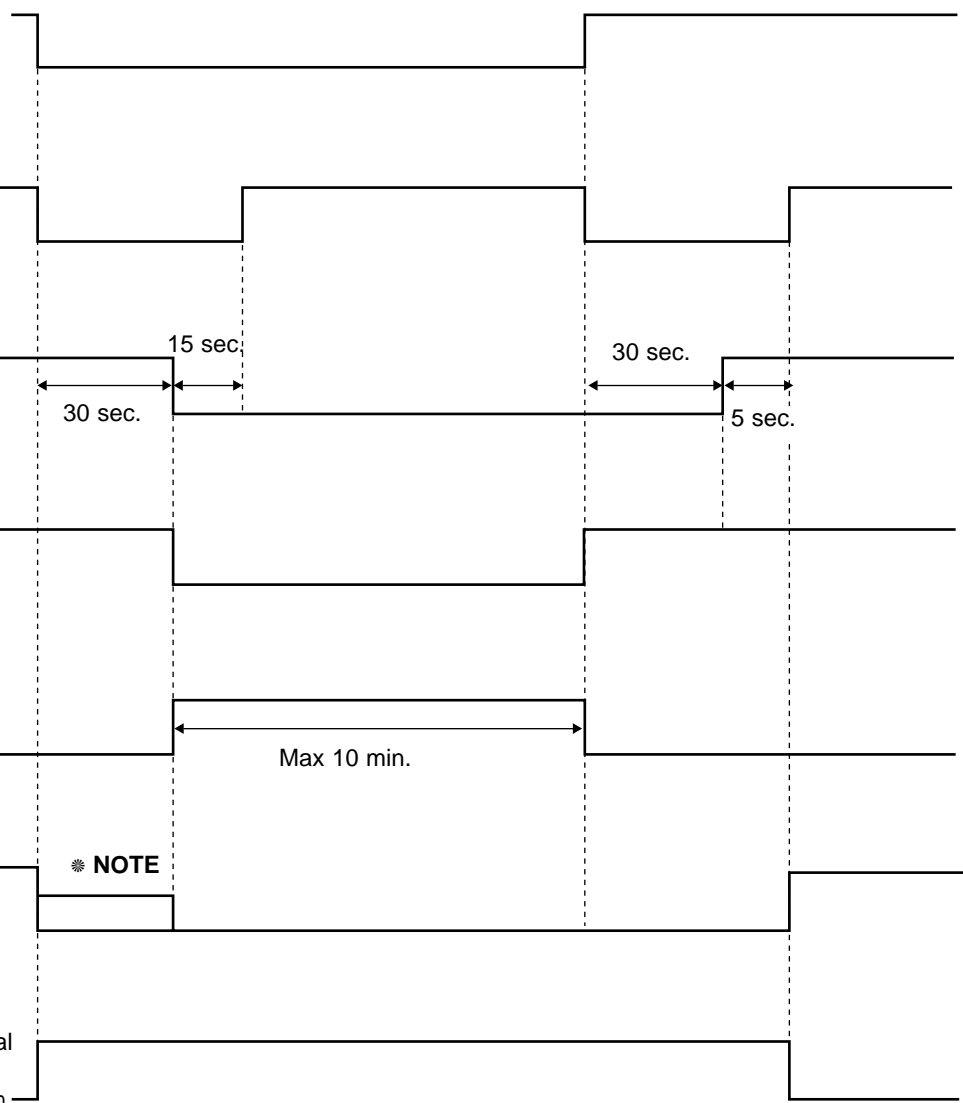
ON  
OFF

Indoor fan

ON  
Very Low  
OFF

Indoor  
Horizontal vane

Horizontal  
Set position



**NOTE** ● When the indoor coil thermistor RT12 reads above 0°C, indoor fan operates at Very Low for 30 seconds.

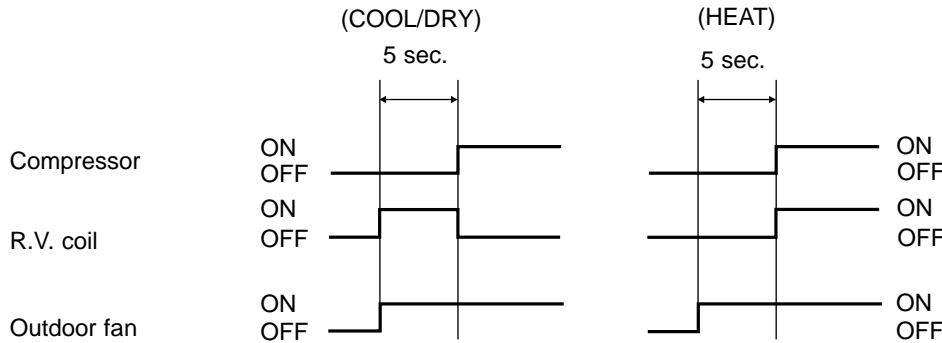
● When the indoor coil thermistor RT12 reads 0°C or less, the indoor fan stops.

**5. R.V. coil control <MUH-A07/A09/A12WV>**

- Heating . . . . . ON
- Cooling . . . . . OFF
- Dry . . . . . OFF

When operation starts, the 4-way valve reverses for 5 seconds right before start-up of the compressor.

**Operation time chart**



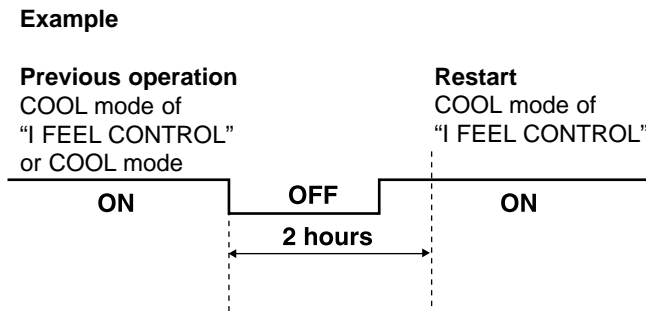
**10-5. "I FEEL CONTROL" (□) OPERATION**

- (1) Press OPERATE/STOP(ON/OFF) button. OPERATION INDICATOR lamp of the indoor unit turns on with a beep tone.
- (2) Select "I FEEL CONTROL"(□) mode with the OPERATION SELECT button.
- (3) The operation mode is determined by the initial room temperature at start-up of the operation, as shown on the right table.

Initial room temperature		Mode
MU&MUX type	MUH & MXZ type	
25°C or more	25°C or more	COOL mode of "I FEEL CONTROL"
more than 13°C, less than 25°C	23°C or more, less than 25°C	DRY mode of "I FEEL CONTROL"
—————	less than 23°C	HEAT mode of "I FEEL CONTROL"

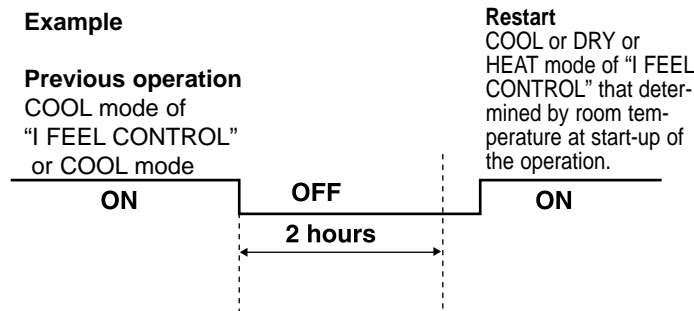
- Once the mode is fixed, the mode does not change by room temperature afterwards.
- Under the ON-TIMER (⊕→|) operation, mode is determined according to the room temperature at set time the operation starts.
- When the system is stopped on the remote controller and restarted within 2 hours in "I FEEL CONTROL" (□) mode, the system operates in previous mode automatically regardless of the room temperature.

**Operation time chart**



When the system is restarted after 2 hours and more, the operation mode is determined by the room temperature at start-up of the operation.

**Operation time chart**





(4) The initial set temperature is decided by the initial room temperature.

Mode	Initial room temperature		Initial set temperature	
	MU & MUX type	MUH & MXZ type		
COOL mode of "I FEEL CONTROL"	26°C or more	26°C or more	24°C	※1
	25°C or more, less than 26°C	25°C or more, less than 26°C	Initial room temperature minus 2°C	
DRY mode of "I FEEL CONTROL"	more than 13°C, less than 25°C	23°C or more, less than 25°C	Initial room temperature minus 2°C	
HEAT mode of "I FEEL CONTROL"	————	less than 23°C	26°C	

※1 When the system is restarted with the remote controller, the system operates with the previous set temperature regardless of the room temperature at restart.

#### (5) TEMPERATURES buttons

In "I FEEL CONTROL" (□) mode, set temperature is decided by the microprocessor based on the room temperature. In addition, set temperature can be controlled by TOO WARM or TOO COOL buttons when you feel too cool or too warm. Each time the TOO WARM or TOO COOL button is pressed, the indoor unit receives the signal and emits a beep tone.

#### ● Fuzzy control

When the TOO COOL or TOO WARM button is pressed, the microprocessor changes the set temperature, considering the room temperature, the frequency of pressing TOO COOL or TOO WARM button and the user's preference to heat or cool. So this is called "Fuzzy control", and works only in "I FEEL CONTROL" mode. In DRY mode of "I FEEL CONTROL", the set temperature doesn't change.



... To raise the set temperature 1~2 degrees(°C)



... To lower the set temperature 1~2 degrees(°C)

#### 10-5-1. COOL mode of "I FEEL CONTROL"

##### 1. Thermostat control

Thermostat control is as same as COOL OPERATION.(10-1.1.)

##### 2. Indoor fan speed control

Indoor fan speed control is as same as COOL OPERATION.(10-1.2.)

##### 3. Coil frost prevention

Coil frost prevention is as same as COOL OPERATION.(10-1.3.)

#### 10-5-2. DRY mode of "I FEEL CONTROL"

##### 1. Thermostat control

Thermostat control is as same as DRY OPERATION.(10-2.1.)

##### 2. Indoor fan speed control

Indoor fan speed control is as same as DRY OPERATION.(10-2.2.)

##### 3. The operation of the compressor and indoor / outdoor fan

The operation of the compressor and indoor/outdoor fan is as same as DRY OPERATION.(10-2.3.)

##### 4. Coil frost prevention

Coil frost prevention is as same as DRY OPERATION.(10-2.4.)

#### 10-5-3. HEAT mode of "I FEEL CONTROL" <MUH-A07/A09/A12WV, MXZ-A18/A26/A32WV>

##### 1. Thermostat control

Thermostat control is as same as HEAT OPERATION.(10-4.1.)

##### 2. Indoor fan speed control

Indoor fan speed control is as same as HEAT OPERATION.(10-4.2.)

##### 3. High pressure protection <MUH-A07/A09/A12WV>

High pressure protection is as same as HEAT OPERATION.(10-4.3.)

##### 4. Defrosting <MUH-A07/A09/A12WV>

Defrosting is as same as HEAT OPERATION.(10-4.4.)

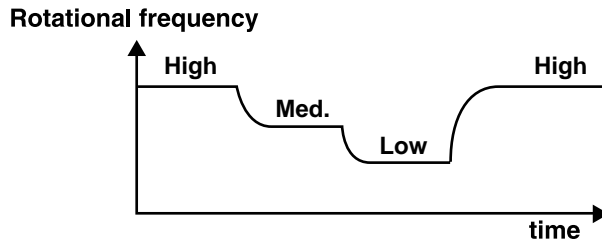
##### 5. R.V. coil control <MUH-A07/A09/A12WV>

R.V. coil control is as same as HEAT OPERATION.(10-4.5.)

## 10-6. FAN MOTOR CONTROL

### (1) Rotational frequency feedback control

The indoor fan motor is equipped with a rotational frequency sensor, and outputs signal to the microprocessor to feedback the rotational frequency. Comparing the current rotational frequency with the target rotational frequency (High, Med., Low), the microprocessor controls SR141 and adjusts fan motor electric current to make the current rotational frequency close to the target rotational frequency. With this control, when the fan speed is switched, the rotational frequency changes smoothly.



### (2) Fan motor lock-up protection

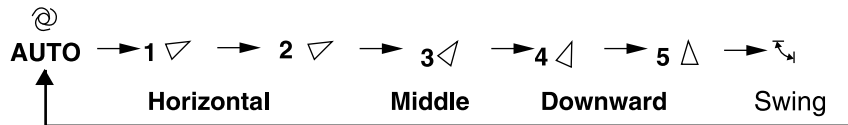
When the rotational frequency feedback signal is not output for 12 seconds, (or when the microprocessor cannot detect the signal for 12 seconds) the fan motor is regarded locked-up. Then the electric current to the fan motor is shut off. 3 minutes later, the electric current is applied to the fan motor again. During the fan motor lock-up, the OPERATION INDICATOR lamp flashes on and off to show the fan motor abnormality. (Refer to page 91.)

## 10-7. AUTO VANE OPERATION

### (1) Vane motor drive

These models are equipped with a stepping motor for the horizontal vane. The rotating direction, speed, and angle of the motor are controlled by pulse signals (approx. 12V) transmitted from indoor microprocessor.

### (2) The horizontal vane angle and mode changes as follows by pressing the VANE CONTROL button.



### (3) Positioning

The vane is once pressed to the vane stopper below to confirm the standard position and then set to the desired angle. Confirming of standard position is performed in case of follows.

- When the OPERATE/STOP(ON/OFF) button is pressed.
- When the vane control is changed from AUTO to MANUAL.
- When the SWING is finished.
- When the test run starts.
- When the power supply turns ON.

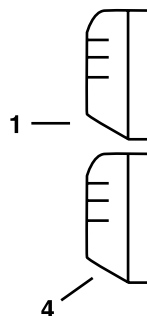
### (4) VANE AUTO (Ⓐ) mode

In VANE AUTO mode, the microprocessor automatically determines the vane angle to make the optimum room-temperature distribution.

① In COOL and DRY operation

② In FAN operation <MU-A07/A09/A12WV  
MUX-A10/A19/A20/A22/  
A25/A26WV>

③ In HEAT operation <MUH-A07/A09/A12WV  
MXZ-A18/A26/A32WV>



Vane angle is fixed to Angle 1.

Vane angle is fixed to Angle 4.

### (5) Dew prevention

During COOL or DRY operation at Vane Angle 4 or 5 when the cumulative operation time of compressor exceeds 1 hour, the vane angle automatically changes to Angle 1 for dew prevention.

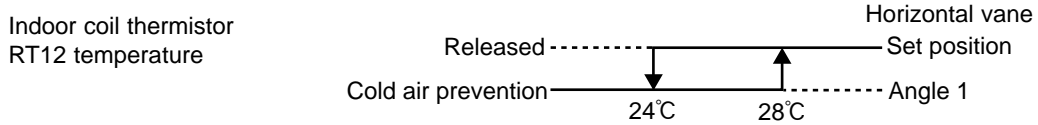
### (6) SWING MODE (Ⓕ) mode

By selecting SWING mode with the VANE CONTROL button, the horizontal vane swings vertically. The remote controller displays "Ⓕ".


(7) Cold air prevention in HEAT operation <MUH-A07/A09/A12WV, MXZ-A18/A26/A32WV>

When any of the following conditions occurs in HEAT operation, the horizontal vane angle changes to Angle 1 automatically to prevent cold air blowing on users.

- ① Compressor is not operating.
- ② Defrosting is performed.
- ③ Indoor coil thermistor RT12 reads 24°C or below.
- ④ Indoor coil thermistor RT12 temperature is raising from 24°C or below, but it does not exceed 28°C.



**NOTE :** If the temperature of RT12 reads from 24°C to 28°C at the air conditioner stating , this control works.

(8) ECONO COOL (  ) operation (ECONOMical operation)

When the ECONO COOL button is pressed in COOL mode, set temperature is automatically set 2°C higher than that in COOL mode.

Also the horizontal vane swings in various cycle according to the temperature of indoor heat exchanger(RT12).

SWING operation makes you feel cooler than set temperature. So, even though the set temperature is higher than that in COOL mode, the air conditioner can keep comfort. As a result, energy can be saved.

ECONO COOL operation is cancelled when the ECONO COOL button is pressed once again or VANE CONTROL button is pressed or operation mode is changed.

**NOTE :** ECONO COOL operation does not work in COOL mode of “I FEEL CONTROL”.

SWING operation

In swing operation of ECONO COOL operation mode, the initial air flow direction is adjusted to “Horizontal”.

According to the temperature of indoor coil thermistor RT12 at starting of this operation, next downward blow time is decided. Then when the downward blow has been finished, next upward blow time is decided.

For initial 10 min. the swing operation is performed in table G~H for quick cooling.

Also, after 10 min. when the difference of set temperature and room temperature is more than 2 degrees, the swing operation is performed in table D~H for more cooling.

The air conditioner repeats the swing operation in various cycle as follows.

	Temperature of indoor coil thermistor RT12	Downward blow time (sec.)	Horizontal blow time (sec.)
A	15°C or less	2	23
B	15°C to 17°C	5	20
C	17°C to 18°C	8	17
D	18°C to 20°C	11	14
E	20°C to 21°C	14	11
F	21°C to 22°C	17	8
G	22°C to 24°C	20	5
H	more than 24°C	23	2

**10-8. TIMER OPERATION**

**1. How to set the timer**

(1) Press OPERATE/STOP(ON/OFF) button to start the air conditioner.

(2) Check that the current time is set correctly.

**NOTE :** Timer operation will not work without setting the current time. Initially “AM0:00” blinks at the current time display of TIME MONITOR, so set the current time correctly with CLOCK SET button.

(3) Press ON or OFF TIMER buttons to select the operation.

“⊕→|” button... AUTO START operation (ON timer)

“⊕→○” button... AUTO STOP operation (OFF timer)

(4) Press HR. and MIN. button to set the timer. Time setting is 10-minute units.

HR. and MIN. button will work when “ ⊖→| ” or “ ⊖→○ ” mark is flashing.

These marks disappear in 1 minute.

After setting the ON timer, check that OPERATION INDICATOR lamp of the indoor unit lights.

**NOTE1** : Be sure to place the remote controller at the position where its signal can reach the air conditioner even during TIMER operation, or the set time may deviate within the range of about 10 minutes.

**NOTE2** : Reset the timer in the following cases, or the set time may deviate and other malfunctions may occur.

- A power failure occurs.
- The circuit breaker functions.

## 2. Cancel

TIMER setting can be cancelled with the ON or OFF TIMER buttons. (“ ⊖→| ” or “ ⊖→○ ”)

To cancel the ON timer, press the “ ⊖→| ” button.

To cancel the OFF timer, press the “ ⊖→○ ” button.

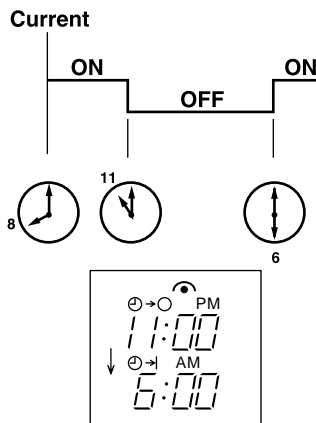
TIMER is cancelled and the display of set time disappears.

## PROGRAM TIMER

- The OFF timer and ON timer can be used in combination.
- “ ↑ ” and “ ↓ ” display shows the order of the OFF timer and ON timer operation.

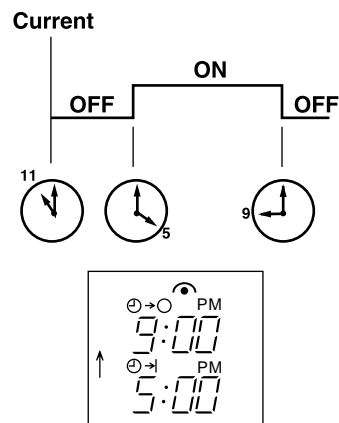
(Example 1) The current time is 8:00 PM.

The unit turns off at 11:00 PM, and on at 6:00 AM.



(Example 2) The current time is 11:00 AM.

The unit turns on at 5:00 PM, and off at 9:00 PM.



**NOTE** : TIMER setting will be cancelled by power failure or breaker functioning.

## 10-9. EMERGENCY-TEST OPERATION

In case of test run operation or emergency operation, use the EMERGENCY OPERATION switch on the front of the indoor unit. Emergency operation is available when the remote controller is missing, has failed or the batteries of remote controller run down. The unit will start and the OPERATION INDICATOR lamp will light.

The first 30 minutes of operation is the test run operation. This operation is for servicing. The indoor fan speed runs at High speed and the system is in continuous operation. (The thermostat is ON.)

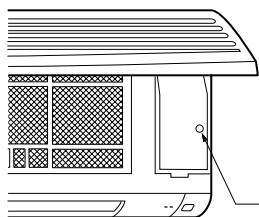
After 30 minutes of test run operation the system shifts to EMERGENCY COOL [HEAT <MUH-A07/A09/A12WV, MXZ-A18/A26/A32WV>] MODE with a set temperature of 24°C. The fan speed shifts to Med. speed.

The coil frost prevention works even in emergency operation [, and defrosting <MUH-A07/A09/A12WV, MXZ-A18/A26/A32WV> too].

In the test run or emergency operation, the horizontal vane operates in VANE AUTO ( @ ) mode.

Emergency operation continues until the EMERGENCY OPERATION switch is pressed once again (MU-A07/A09/A12WV, MUX-A10/A19/A20/A22/A25/A26WV)/once or twice (MUH-A07/A09/A12WV, MXZ-A18/A26/A32WV) or the unit receives any signal from the remote controller. In case of latter normal operation will start.

**NOTE** : Do not press the EMERGENCY OPERATION switch during normal operation.



EMERGENCY OPERATION switch

- The following indication does not depend on the shape of lamp.

### OPERATION INDICATOR lamp

- |                         |                          |                          |
|-------------------------|--------------------------|--------------------------|
| Press once <Cool>       |                          | <input type="checkbox"/> |
| Press again <Heat>      | <input type="checkbox"/> |                          |
| Press once again <Stop> | <input type="checkbox"/> | <input type="checkbox"/> |

※ Heat is available only in MUH-A07/A09/A12WV and MXZ-A18/A26/A32WV.

## 10-10. OUTDOOR UNIT ACTUATOR CONTROL

### MUX-A10WV -<sup>[E1]</sup>

ACTUATOR		INDOOR UNIT		A	B
COMPRESSOR	MC	ON		ON	ON
				ON	OFF
				OFF	ON
		OFF	OFF	OFF	
OUTDOOR FAN MOTOR	MF	ON	ANY UNIT ON		
		OFF	OFF	OFF	
SOLENOID VALVE	21R (BALANCE)	ON (CLOSE)		ON	ON
				ON	OFF
		OFF (OPEN)		OFF	ON
				OFF	OFF
	21R1	ON (OPEN)		ON	-
		OFF (CLOSE)		OFF	-
	21R2	ON (OPEN)		-	ON
		OFF (CLOSE)		-	OFF

### MUX-A20WV -<sup>[E1]</sup>

ACTUATOR		INDOOR UNIT		A	B	C
COMPRESSOR	MC1	ON		ON	-	-
		OFF		OFF	-	-
	MC2	ON		-	ON	ON
				-	ON	OFF
		OFF		-	OFF	ON
				-	OFF	OFF
OUTDOOR FAN MOTOR	MF61	ON	ANY UNIT ON			
		OFF	OFF	OFF	OFF	
SOLENOID VALVE	21R3	ON (OPEN)		-	ON	-
		OFF (CLOSE)		-	OFF	-
	21R4	ON (OPEN)		-	-	ON
		OFF (CLOSE)		-	-	OFF
	21RB	ON (CLOSE)		-	ON	ON
				-	ON	OFF
		OFF (OPEN)		-	OFF	ON
				-	OFF	OFF

### MUX-A19WV -<sup>[E1]</sup> MUX-A25WV -<sup>[E1]</sup>

ACTUATOR		INDOOR UNIT		A	B
COMPRESSOR	MC1	ON		ON	-
		OFF		OFF	-
	MC2	ON		-	ON
		OFF		-	OFF
OUTDOOR FAN MOTOR	MF61	ON	ANY UNIT ON		
		OFF	OFF	OFF	

### MUX-A26WV -<sup>[E1]</sup>

ACTUATOR		INDOOR UNIT		A	B	C	D
COMPRESSOR	MC1	ON		ON	ON	-	-
				ON	OFF	-	-
				OFF	ON	-	-
		OFF	OFF	OFF	-	-	
	MC2	ON		-	-	ON	ON
				-	-	ON	OFF
		OFF		-	-	OFF	ON
				-	-	OFF	OFF
OUTDOOR FAN MOTOR	MF61	ON	ANY UNIT ON				
		OFF	OFF	OFF	OFF	OFF	
SOLENOID VALVE	21R1	ON (OPEN)		ON	-	-	-
		OFF (CLOSE)		OFF	-	-	-
	21R2	ON (OPEN)		-	ON	-	-
		OFF (CLOSE)		-	OFF	-	-
	21R3	ON (OPEN)		-	-	ON	-
		OFF (CLOSE)		-	-	OFF	-
	21R4	ON (OPEN)		-	-	-	ON
		OFF (CLOSE)		-	-	-	OFF
	21RA (BALANCE)	ON (CLOSE)		ON	ON	-	-
				ON	OFF	-	-
		OFF (OPEN)		OFF	ON	-	-
				OFF	OFF	-	-
	21RB (BALANCE)	ON (CLOSE)		-	-	ON	ON
				-	-	ON	OFF
OFF (OPEN)			-	-	OFF	ON	
			-	-	OFF	OFF	

"-" means that the indoor unit is not related to the control of actuator.

- MSC-A07WV -E1**   **MU-A07WV -E1**   **MUH-A07WV -E1**   **MUX-A10WV -E1**   **MUX-A25WV -E1**  
**MSC-A09WV -E1**   **MU-A09WV -E1**   **MUH-A09WV -E1**   **MUX-A19WV -E1**   **MUX-A26WV -E1**  
**MSC-A12WV -E1**   **MU-A12WV -E1**   **MUH-A12WV -E1**   **MUX-A20WV -E1**

**11-1. COMPULSORY DEFROSTING MODE FOR SERVICE <MUH-A07/A09/A12WV>**

By short circuit of the connector JPDS and JPSG on the outdoor deicer P.C. board, defrosting mode can be accomplished regardless of the defrost interval restriction. (Refer to page 103.)  
 Defrost thermistor RT61 must read below -3°C.

**11-2. CHANGE IN DEFROST SETTING <MUH-A07/A09/A12WV>**

<JRF> When the JRF wire of the deicer P.C. board is cut, the defrost interval time will be changed. (Refer to page 103.)  
 <JRG> When the JRG wire of the deicer P.C. board is cut, the defrost temperature will be changed. (Refer to page 103.)

MODEL	Jumper wire	Change point
MUH-A07WV - E1	JRF	Defrost interval time changes from 40 minutes to 15 minutes
MUH-A09WV - E1	JRG	Deforst start temperature changes from -3°C to 0°C
MUH-A12WV - E1		Deforst finish temperature changes from 3.1°C to 10.1°C.

**11-3. TIMER SHORT MODE**

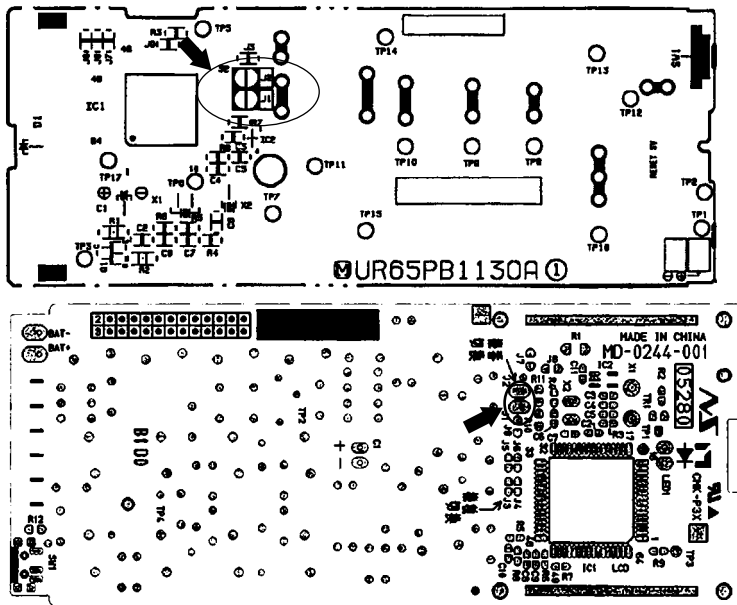
For service, set time can be shortened by short circuit of JPG and JPS the electronic control P.C. board.  
 The time will be shortened as follows. (Refer to page 102.)  
 Set time : 1 minute → 1-second  
 Set time : 3 minutes → 3-second (It takes 3 minutes for the compressor to start operation. However, the starting time is shortened by short circuit of JPG and JPS.)

**11-4. P.C. BOARD MODIFICATION FOR INDIVIDUAL OPERATION**

A maximum of 4 indoor units with wireless remote controllers can be used in a room.  
 In this case, to operate each indoor unit individually by each remote controller, P.C. boards of remote controller must be modified according to the number of the indoor unit.

**How to modify the remote controller P.C. board**

Remove batteries before modification. The board has a print as shown below :



**NOTE :** For remodelling, take out the batteries and press the OPERATE/STOP(ON/OFF) button twice or 3 times at first.  
 After finish remodelling, put back the batteries then press the RESET button.

The P.C. board has the print "J1" and "J2".  
 Solder "J1" and "J2" according to the number of indoor unit as shown in Table 1.  
 After modification, press the RESET button.

**Table 1**

	1 unit operation	2 units operation	3 units operation	4 units operation
No. 1 unit	No modification	Same as at left	Same as at left	Same as at left
No. 2 unit	-	Solder J1	Same as at left	Same as at left
No. 3 unit	-	-	Solder J2	Same as at left
No. 4 unit	-	-	-	Solder both J1 and J2

## How to set the remote controller exclusively for particular indoor unit

After you turn the breaker ON, the first remote controller that sends the signal to the indoor unit will be regarded as the remote controller for the indoor unit.

The indoor unit will only accept the signal from the remote controller that has been assigned to the indoor unit once they are set.

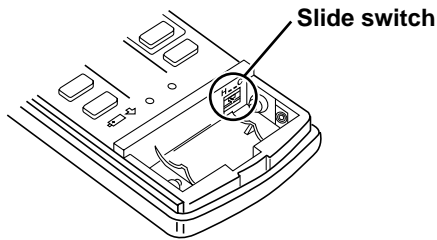
The setting will be cancelled if the breaker has turned off, or the power supply has shut down.

Please conduct the above setting once again after the power has restored.

## 11-5. REMOTE CONTROLLER (How to set the type)

This remote controller setting needs to be switched according to the type of air conditioner (COOL & HEAT or COOL ONLY).

If the setting is incorrect, the air conditioner does not operate normally. Therefore, check if the setting corresponds to the type of air conditioner. If it does not, correct the setting as shown below.



Type	COOL & HEAT	COOL ONLY
The position of the slide switch		

## 11-6. MU & MUX TYPE / MUH & MXZ TYPE SWITCH OVER AND AUTO RESTART FUNCTION

### 1. MU & MUX TYPE / MUH & MXZ TYPE SWITCH OVER

The indoor units for MU & MUX type and MUH & MXZ type are common specifications. Set switch according to the type of outdoor unit. The units are set for MUH & MXZ type when they are shipped from the factory.

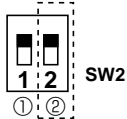
SW2-① sets the AUTO RESTART FUNCTION ON / OFF.  
SW2-② switches over the MU & MUX type / MUH & MXZ type.

When the units are shipped from the factory, SW2 is as follows.  
SW2-①: AUTO RESTART FUNCTION OFF  
SW2-②: MUH & MXZ type

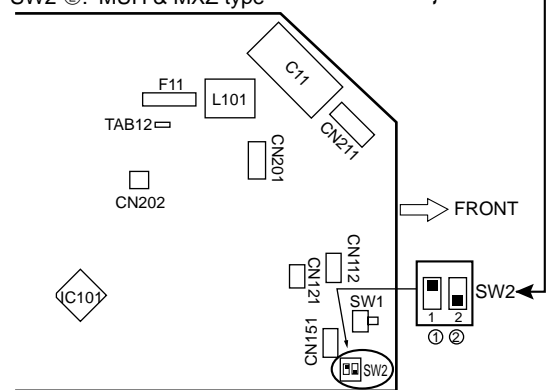
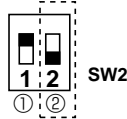
### How to switch over MU & MUX TYPE / MUH & MXZ TYPE

- Turn off the main power for the unit.
- Pull out the electronic control P.C. board, and change switch (SW2-②) on the indoor electronic control P.C. board according to the type of outdoor unit as following figures.

**Outdoor unit  
MU & MUX type**  
Set ② switch upside.



**Outdoor unit  
MUH & MXZ type**  
Set ② switch downside.



**NOTE:**•If the indoor-outdoor connecting wire is incorrectly connected on the terminal block, the unit does not operate normally.

•If a ground is incorrect, it may cause an electric shock.

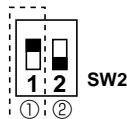
### 2. AUTO RESTART FUNCTION

When the indoor unit is controlled with the remote controller, the operation mode, set temperature, and the fan speed are memorized by the indoor electronic control P.C. board. The "AUTO RESTART FUNCTION" sets to work the moment power has restored after power failure. Then, the unit will restart automatically. However if the unit is operated in "I FEEL CONTROL" mode before power failure, the operation is not memorized. In "I FEEL CONTROL" mode, the operation is decided by the initial room temperature. "AUTO RESTART FUNCTION" is OFF when the units are shipped from the factory.

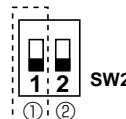
### How to set "AUTO RESTART FUNCTION"

- Turn off the main power for the unit.
- Pull out the electronic control P.C. board, and change switch (SW2-①) on the indoor electronic control P.C. board as following figures.

**AUTO RESTART  
FUNCTION OFF**  
Set ① switch upside.



**AUTO RESTART  
FUNCTION ON**  
Set ① switch downside.



### Operation

- If the main power (230V AC) has been cut, the operation settings remain.
- After the power is restored, the unit restarts automatically according to the memory. (However, it takes at least 3 minutes for the compressor to start running.)

## NOTE

- The operation settings are memorized when 10 seconds have passed after the remote controller was operated.
- If main power is cut while AUTO START/STOP timer is active, the timer setting is cancelled.
- If the unit has been off with the remote controller before power failure, the auto restart function does not work as the power button of the remote controller is off.
- To prevent breaker off due to the rush of starting current, systematize other home appliance not to turn on at the same time.
- When some air conditioners are connected to the same supply system, if they are operated before power failure, the starting current of all the compressors may flow simultaneously at restart. Therefore, the special counter-measures are required to prevent the main voltage-drop or the rush of the starting current by adding to the system that allows the units to start one by one.

# 12 TROUBLESHOOTING

MSC-A07WV -[E1] MU-A07WV -[E1] MUH-A07WV -[E1] MUX-A10WV -[E1] MUX-A25WV -[E1]  
MSC-A09WV -[E1] MU-A09WV -[E1] MUH-A09WV -[E1] MUX-A19WV -[E1] MUX-A26WV -[E1]  
MSC-A12WV -[E1] MU-A12WV -[E1] MUH-A12WV -[E1] MUX-A20WV -[E1]

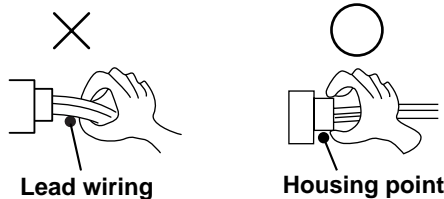
## 12-1. Cautions on troubleshooting

### 1. Before troubleshooting, check the following:

- 1) Check the power supply voltage.
- 2) Check the indoor/outdoor connecting wire for mis-wiring.

### 2. Take care the following during servicing.

- 1) Before servicing the air conditioner, be sure to first turn off the remote controller to stop the unit, and then after confirming the horizontal vane is closed, turn off the breaker and/or disconnect the power plug.
- 2) Be sure to turn OFF the power supply before removing the front panel, the cabinet, the top panel, and the electronic control P.C. board.
- 3) When removing the electronic control P.C. board, hold the edge of the board with care NOT to apply stress on the components.
- 4) When connecting or disconnecting the connectors, hold the housing of the connector. DO NOT pull the lead wires.



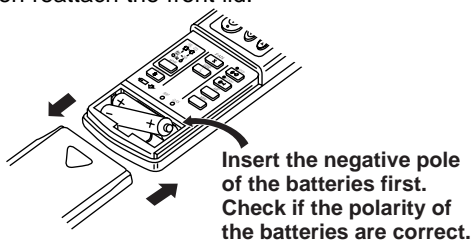
### 3. Troubleshooting procedure

- 1) First, check if the OPERATION INDICATOR lamp on the indoor unit is flashing on and off to indicate an abnormality. To make sure, check how many times the abnormality indication is flashing on and off before starting service work.
- 2) If the electronic control P.C. board is supposed to be defective, check the copper foil pattern for disconnection and the components for bursting and discoloration.
- 3) When troubleshooting, refer to the flow chart on page 90 and the check table on page 91.

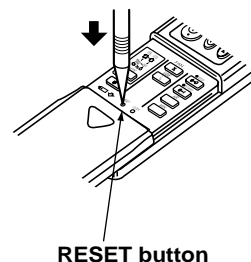
### 4. How to replace batteries

Weak batteries may cause the remote controller malfunction.  
In this case, replace the batteries to operate the remote controller normally.

- ① Remove the front lid and insert batteries.  
Then reattach the front lid.



- ② Press the RESET button.



**NOTE :** If the RESET button is not pressed, the remote controller may not operate correctly.

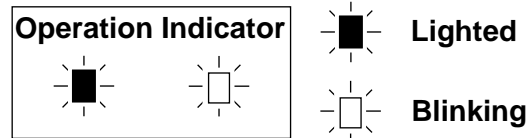


## INFORMATION FOR MULTI SYSTEM AIR CONDITIONER

### OUTDOOR UNIT : MXZ-A18WV-[E1] MXZ-A26WV-[E1] MXZ-A32WV-[E1]

Multi system air conditioner can connect two or more indoor units with one outdoor unit.

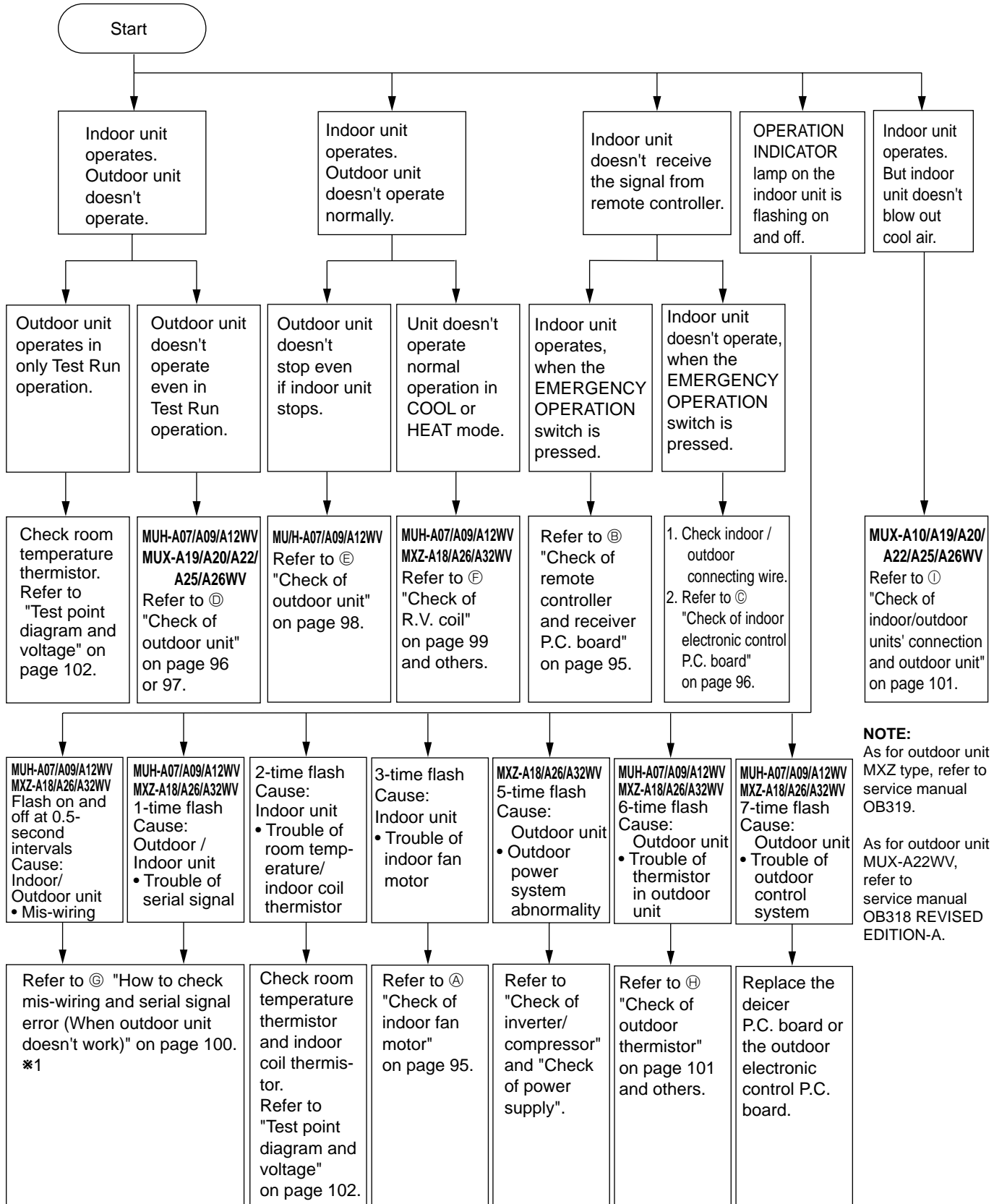
- Unit won't operate in case the total capacity of indoor units exceeds the capacity of outdoor units. Do not connect indoor units beyond the outdoor unit capacity.
- When you try to operate two or more indoor units with one outdoor unit simultaneously, one for the cooling and the other for heating, the operation mode of the indoor unit that operates earlier is selected. The other indoor units that will start the operation later cannot operate, indicating as shown in the figure below. In this case, please set all the indoor units to the same operation mode.



- When indoor units starts the operation while the defrosting of outdoor unit is being done, it takes a few minutes (max. 10 minutes) to blow out the warm air.
- In the heating operation, though indoor unit that does not operate may get warm or the sound of refrigerant flowing may be heard, they are not malfunction. The reason is that the refrigerant continuously flows into it.

## 12-2. Instruction of troubleshooting

**MSC-A07WV -E1**   **MU-A07WV -E1**   **MUH-A07WV -E1**   **MUX-A10WV -E1**   **MUX-A25WV -E1**  
**MSC-A09WV -E1**   **MU-A09WV -E1**   **MUH-A09WV -E1**   **MUX-A19WV -E1**   **MUX-A26WV -E1**  
**MSC-A12WV -E1**   **MU-A12WV -E1**   **MUH-A12WV -E1**   **MUX-A20WV -E1**



**NOTE:**  
As for outdoor unit MXZ type, refer to service manual OB319.

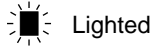
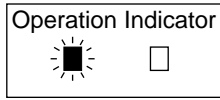
As for outdoor unit MUX-A22WV, refer to service manual OB318 REVISED EDITION-A.

\*1.<The case of the trouble of the serial signal>

When the power is turned off and then turned on again, the indication shows "the trouble of mis-wiring".

### 12-3. Troubleshooting check table

- The following indication applies regardless of shape of the indicator.



Lighted



Not lighted

- Flashing of the OPERATION INDICATOR lamp (left-hand side) indicates possible abnormalities.
- The OPERATION INDICATOR lamp (left-hand side lamp) is lighting during normal operation.

※ Before taking measures, make sure that the symptom reappears, for accurate troubleshooting.

#### Self check table

No.	Abnormal point	Operation indicator lamp	Symptom	Detection method	Checkpoint
1	MUH or MXZ type Mis-wiring	0.5-second ON ●○○●○○●○○●○○	Outdoor unit does not run.	When serial signal stops for 4 to 5 seconds after 1st on of 52C relay by POWER turning on.	<ul style="list-style-type: none"> <li>Check switch SW2-②.(MU &amp; MUX type or MUH &amp; MXZ type)</li> <li>Check wiring (visual check and conductivity check).</li> <li>Check indoor electronic control P.C.board.</li> <li>Check outdoor DEICER P.C. board and others.</li> <li>Check electrical parts.</li> </ul>
	MUH or MXZ type Serial signal	1-time flash ●○○○○○○●○○○○○○●○○○○ 2.5-second OFF		When serial signal from outdoor unit stops for 4 to 5 seconds.	
2	Indoor coil thermistor	2-time flash ●○○○○○○●○○●○○○○	Outdoor unit does not run.	Detect Indoor coil/room temperature thermistor short or open circuit every 8 seconds during operation.	<ul style="list-style-type: none"> <li>Check resistance of thermistor.</li> <li>Reconnect connector.</li> <li>Check indoor electronic control P.C.board.</li> </ul>
	Room temperature thermistor	2.5-second OFF			
3	Indoor fan motor	3-time flash ●○○●○○●○○○○○○●○○●○○●○○○○	Indoor fan motor repeats 12 seconds ON and 3 minutes OFF. When the indoor fan motor breaks, the fan keeps stopping.	When rotational frequency feedback pulse signal is not emit during 12-second indoor fan operation.	<ul style="list-style-type: none"> <li>Disconnect connector CN211 and then check connector CN121 ②-③ to make sure rotational frequency feedback signal of 1.5V or over exists.</li> <li>Check indoor electronic control P.C. board.</li> <li>Check indoor fan motor.</li> <li>Reconnect connector.</li> </ul>
4	MXZ type Outdoor power system	5-time flash ●○○●○○●○○●○○○○○○●○○	Outdoor unit does not run.	When the compressor operation is continuously three times interrupted by over current protection within 1 minute after start-up , it stops operation.	<ul style="list-style-type: none"> <li>Check the inverter output.</li> <li>Check the compressor.</li> </ul>
5	MUH or MXZ type Outdoor thermistor	6-time flash ●○○●○○●○○●○○○○○○●○○	Outdoor unit does not run.	When the defrost thermistor shorts or opens after the compressor start-up.	<ul style="list-style-type: none"> <li>Check outdoor deicer P.C. board or outdoor electronic control P.C. board.</li> <li>Check resistance of thermistor.</li> <li>Reconnect connector.</li> </ul>
6	MUH or MXZ type Outdoor control system error	7-time flash ●○○●○○●○○●○○○○○○●○○	Outdoor unit does not run.	When it cannot properly read data in the nonvolatile memory of outdoor deicer P.C. board or outdoor electronic control P.C. board.	<ul style="list-style-type: none"> <li>Check outdoor deicer P.C. board or outdoor electronic control P.C. board.</li> </ul>
7	MXZ type Operation mode setting	<p>Right lamp flashes</p> <p>Lighted</p> <p>Blinking</p> <p>2.5-second OFF</p>	Outdoor unit operates but indoor unit does not run.	When the operation mode of each indoor unit is differently set to COOL(includes DRY) and HEAT at same time, the operation mode of indoor unit that has operated at first has the priority.	<ul style="list-style-type: none"> <li>Unify the operation mode.</li> </ul>

NOTE: As for outdoor unit MXZ type, refer to service manual OB319.

**12-4. Trouble criterion of main parts**

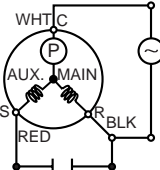
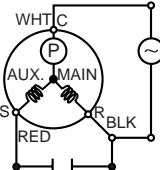
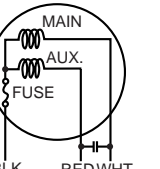
**MSC-A07WV** -E1

**MSC-A09WV** -E1

**MSC-A12WV** -E1

Part name	Check method and criterion	Figure													
Room temperature thermistor (RT11)	Measure the resistance with a tester. (Part temperature 10°C ~ 30°C) <table border="1" style="margin-left: 20px;"> <thead> <tr> <th>Normal</th> <th>Abnormal</th> </tr> </thead> <tbody> <tr> <td>MSC-A07/A09/A12WV</td> <td rowspan="2">Open or short-circuit</td> </tr> <tr> <td>8kΩ ~ 20kΩ</td> </tr> </tbody> </table>	Normal	Abnormal	MSC-A07/A09/A12WV	Open or short-circuit	8kΩ ~ 20kΩ									
Normal		Abnormal													
MSC-A07/A09/A12WV	Open or short-circuit														
8kΩ ~ 20kΩ															
Indoor coil thermistor (RT12)															
Indoor fan motor (MF) INNER FUSE 136±3°C CUT OFF	Motor part Measure the resistance between the terminals with a tester. (Coil wiring temperature 10°C ~ 30°C) <table border="1" style="margin-left: 20px;"> <thead> <tr> <th rowspan="2">Color of lead wire</th> <th colspan="2">Normal</th> <th rowspan="2">Abnormal</th> </tr> <tr> <th>MSC-A07/A09WV</th> <th>MSC-A12WV</th> </tr> </thead> <tbody> <tr> <td>WHT-BLK</td> <td>396 ~ 430Ω</td> <td>303 ~ 329Ω</td> <td rowspan="2">Open or short-circuit</td> </tr> <tr> <td>BLK-RED</td> <td>320 ~ 348Ω</td> <td>287 ~ 311Ω</td> </tr> </tbody> </table>	Color of lead wire	Normal		Abnormal	MSC-A07/A09WV	MSC-A12WV	WHT-BLK	396 ~ 430Ω	303 ~ 329Ω	Open or short-circuit	BLK-RED	320 ~ 348Ω	287 ~ 311Ω	
	Color of lead wire		Normal			Abnormal									
MSC-A07/A09WV		MSC-A12WV													
WHT-BLK	396 ~ 430Ω	303 ~ 329Ω	Open or short-circuit												
BLK-RED	320 ~ 348Ω	287 ~ 311Ω													
Sensor part	Measure the voltage Power ON. <table border="1" style="margin-left: 20px;"> <thead> <tr> <th rowspan="2">Color of lead wire</th> <th>Normal</th> <th rowspan="2">Abnormal</th> </tr> <tr> <th>MSC-A07/A09/A12WV</th> </tr> </thead> <tbody> <tr> <td>BRN-YLW</td> <td>4.5 ~ 5.5V</td> <td rowspan="2">Remain 0V or 5V</td> </tr> <tr> <td>YLW-GRY</td> <td>(When fan revolved one time) 0V→5V→0V (Approx.)</td> </tr> </tbody> </table>	Color of lead wire	Normal	Abnormal	MSC-A07/A09/A12WV	BRN-YLW	4.5 ~ 5.5V	Remain 0V or 5V	YLW-GRY	(When fan revolved one time) 0V→5V→0V (Approx.)					
Color of lead wire	Normal		Abnormal												
	MSC-A07/A09/A12WV														
BRN-YLW	4.5 ~ 5.5V	Remain 0V or 5V													
YLW-GRY	(When fan revolved one time) 0V→5V→0V (Approx.)														
Vane motor (MV)	Measure the resistance between the terminals with a tester. (Part temperature 10°C ~ 30°C) <table border="1" style="margin-left: 20px;"> <thead> <tr> <th>Normal</th> <th>Abnormal</th> </tr> </thead> <tbody> <tr> <td>MSC-A07/A09/A12WV</td> <td rowspan="2">Open or short-circuit</td> </tr> <tr> <td>240 ~ 260Ω</td> </tr> </tbody> </table>	Normal	Abnormal	MSC-A07/A09/A12WV	Open or short-circuit	240 ~ 260Ω									
Normal	Abnormal														
MSC-A07/A09/A12WV	Open or short-circuit														
240 ~ 260Ω															

**MU-A07WV -E1 MUH-A07WV -E1**  
**MU-A09WV -E1 MUH-A09WV -E1**  
**MU-A12WV -E1 MUH-A12WV -E1**

Part name	Check method and criterion	Figure																																		
Defrost thermistor (RT63)  <MUH-A07/A09/A12WV>	Measure the resistance with a tester. (Part temperature $-10^{\circ}\text{C} \sim 40^{\circ}\text{C}$ ) <table border="1" data-bbox="499 448 1114 560"> <thead> <tr> <th></th> <th>Normal</th> <th>Abnormal</th> </tr> </thead> <tbody> <tr> <td>MUH-A07/A09/A12WV</td> <td></td> <td rowspan="2">Open or short-circuit</td> </tr> <tr> <td></td> <td><math>5\text{k}\Omega \sim 60\text{k}\Omega</math></td> </tr> </tbody> </table>		Normal	Abnormal	MUH-A07/A09/A12WV		Open or short-circuit		$5\text{k}\Omega \sim 60\text{k}\Omega$																											
	Normal	Abnormal																																		
MUH-A07/A09/A12WV		Open or short-circuit																																		
	$5\text{k}\Omega \sim 60\text{k}\Omega$																																			
Compressor (MC) INNER PROTECTOR <b>MU-A07/A09WV</b> <b>MUH-A07/A09WV</b> $150 \pm 5^{\circ}\text{C}$ OPEN $90 \pm 10^{\circ}\text{C}$ CLOSE  <b>MU-A12WV</b> <b>MUH-A12WV</b> $155 \pm 5^{\circ}\text{C}$ OPEN $90 \pm 10^{\circ}\text{C}$ CLOSE	Measure the resistance between the terminals with a tester. (Coil wiring temperature $-10^{\circ}\text{C} \sim 40^{\circ}\text{C}$ ) <table border="1" data-bbox="443 649 1217 801"> <thead> <tr> <th rowspan="2"></th> <th colspan="3">Normal</th> <th rowspan="2">Abnormal</th> </tr> <tr> <th>MUH-A07WV</th> <th>MUH-A09WV</th> <th>MUH-A12WV</th> </tr> </thead> <tbody> <tr> <td>C-R</td> <td><math>3.41 \sim 4.18\Omega</math></td> <td><math>2.99 \sim 3.67\Omega</math></td> <td><math>2.46 \sim 3.01\Omega</math></td> <td rowspan="2">Open or short-circuit</td> </tr> <tr> <td>C-S</td> <td><math>5.41 \sim 6.63\Omega</math></td> <td><math>4.02 \sim 4.92\Omega</math></td> <td><math>2.96 \sim 3.63\Omega</math></td> </tr> </tbody> </table> <table border="1" data-bbox="443 817 1217 969"> <thead> <tr> <th rowspan="2"></th> <th colspan="3">Normal</th> <th rowspan="2">Abnormal</th> </tr> <tr> <th>MUH-A07WV</th> <th>MUH-A09WV</th> <th>MUH-A12WV</th> </tr> </thead> <tbody> <tr> <td>C-R</td> <td><math>3.41 \sim 4.18\Omega</math></td> <td><math>2.99 \sim 3.67\Omega</math></td> <td><math>2.46 \sim 3.01\Omega</math></td> <td rowspan="2">Open or short-circuit</td> </tr> <tr> <td>C-S</td> <td><math>5.41 \sim 6.63\Omega</math></td> <td><math>4.02 \sim 4.92\Omega</math></td> <td><math>2.96 \sim 3.63\Omega</math></td> </tr> </tbody> </table>		Normal			Abnormal	MUH-A07WV	MUH-A09WV	MUH-A12WV	C-R	$3.41 \sim 4.18\Omega$	$2.99 \sim 3.67\Omega$	$2.46 \sim 3.01\Omega$	Open or short-circuit	C-S	$5.41 \sim 6.63\Omega$	$4.02 \sim 4.92\Omega$	$2.96 \sim 3.63\Omega$		Normal			Abnormal	MUH-A07WV	MUH-A09WV	MUH-A12WV	C-R	$3.41 \sim 4.18\Omega$	$2.99 \sim 3.67\Omega$	$2.46 \sim 3.01\Omega$	Open or short-circuit	C-S	$5.41 \sim 6.63\Omega$	$4.02 \sim 4.92\Omega$	$2.96 \sim 3.63\Omega$	
	Normal			Abnormal																																
	MUH-A07WV	MUH-A09WV	MUH-A12WV																																	
C-R	$3.41 \sim 4.18\Omega$	$2.99 \sim 3.67\Omega$	$2.46 \sim 3.01\Omega$	Open or short-circuit																																
C-S	$5.41 \sim 6.63\Omega$	$4.02 \sim 4.92\Omega$	$2.96 \sim 3.63\Omega$																																	
	Normal			Abnormal																																
	MUH-A07WV	MUH-A09WV	MUH-A12WV																																	
C-R	$3.41 \sim 4.18\Omega$	$2.99 \sim 3.67\Omega$	$2.46 \sim 3.01\Omega$	Open or short-circuit																																
C-S	$5.41 \sim 6.63\Omega$	$4.02 \sim 4.92\Omega$	$2.96 \sim 3.63\Omega$																																	
Outdoor fan motor INNER (MF) INNER FUSE $163 \pm \frac{3}{2}^{\circ}\text{C}$ CUT OFF	Measure the resistance between the terminals with a tester. (Coil wiring temperature $-10^{\circ}\text{C} \sim 40^{\circ}\text{C}$ ) <table border="1" data-bbox="395 1120 1244 1272"> <thead> <tr> <th rowspan="2">Color of lead wire</th> <th colspan="2">Normal</th> <th rowspan="2">Abnormal</th> </tr> <tr> <th>MUH-A07/A09WV</th> <th>MUH-A12WV</th> </tr> </thead> <tbody> <tr> <td>WHT-BLK</td> <td><math>311 \sim 381\Omega</math></td> <td><math>265 \sim 325\Omega</math></td> <td rowspan="2">Open or short-circuit</td> </tr> <tr> <td>BLK-RED</td> <td><math>282 \sim 347\Omega</math></td> <td><math>293 \sim 359\Omega</math></td> </tr> </tbody> </table> <table border="1" data-bbox="395 1294 1244 1447"> <thead> <tr> <th rowspan="2">Color of lead wire</th> <th colspan="2">Normal</th> <th rowspan="2">Abnormal</th> </tr> <tr> <th>MUH-A07WV</th> <th>MUH-A09/A12WV</th> </tr> </thead> <tbody> <tr> <td>WHT-BLK</td> <td><math>311 \sim 381\Omega</math></td> <td><math>265 \sim 325\Omega</math></td> <td rowspan="2">Open or short-circuit</td> </tr> <tr> <td>BLK-RED</td> <td><math>282 \sim 347\Omega</math></td> <td><math>293 \sim 359\Omega</math></td> </tr> </tbody> </table>	Color of lead wire	Normal		Abnormal	MUH-A07/A09WV	MUH-A12WV	WHT-BLK	$311 \sim 381\Omega$	$265 \sim 325\Omega$	Open or short-circuit	BLK-RED	$282 \sim 347\Omega$	$293 \sim 359\Omega$	Color of lead wire	Normal		Abnormal	MUH-A07WV	MUH-A09/A12WV	WHT-BLK	$311 \sim 381\Omega$	$265 \sim 325\Omega$	Open or short-circuit	BLK-RED	$282 \sim 347\Omega$	$293 \sim 359\Omega$									
Color of lead wire	Normal		Abnormal																																	
	MUH-A07/A09WV	MUH-A12WV																																		
WHT-BLK	$311 \sim 381\Omega$	$265 \sim 325\Omega$	Open or short-circuit																																	
BLK-RED	$282 \sim 347\Omega$	$293 \sim 359\Omega$																																		
Color of lead wire	Normal		Abnormal																																	
	MUH-A07WV	MUH-A09/A12WV																																		
WHT-BLK	$311 \sim 381\Omega$	$265 \sim 325\Omega$	Open or short-circuit																																	
BLK-RED	$282 \sim 347\Omega$	$293 \sim 359\Omega$																																		

(P) INNER PROTECTOR

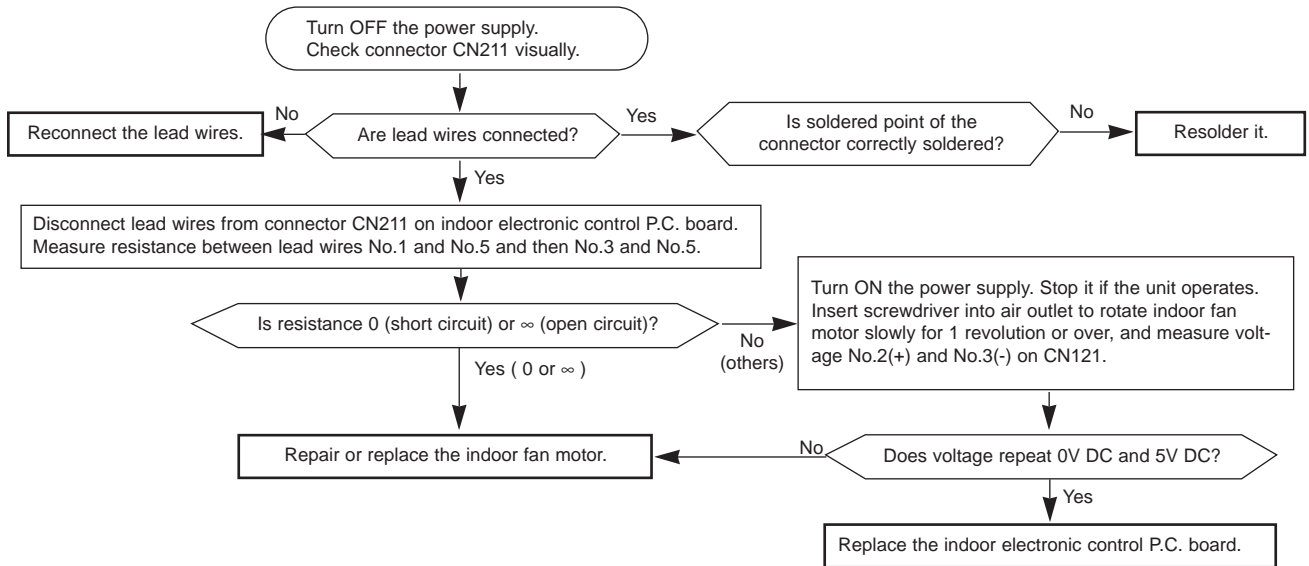
**MUX-A10WV -[E1] MUX-A19WV -[E1] MUX-A20WV -[E1] MUX-A25WV -[E1] MUX-A26WV -[E1]**

Part name	Check method and criterion	Figure																																																											
Compressor (MC, MC1, MC2) INNER PROTECTOR 150°C OPEN 90°C CLOSE	<p>Measure the resistance between the terminals with a tester. (Coil wiring temperature-10°C ~ 40°C)</p> <table border="1"> <thead> <tr> <th rowspan="2"></th> <th colspan="5">Normal</th> <th rowspan="2">Abnormal</th> </tr> <tr> <th>MUX-A10WV</th> <th colspan="2">MUX-A19WV</th> <th colspan="2">MUX-A20WV</th> </tr> </thead> <tbody> <tr> <td></td> <td>RN092VHSHT</td> <td>RN145VHSHT</td> <td>RN092VHSHT</td> <td>RN099VHSHT</td> <td>RN125VHSHT</td> <td rowspan="2">Open or short-circuit</td> </tr> <tr> <td>C-R</td> <td>3.41 ~ 4.18Ω</td> <td>2.14 ~ 2.63Ω</td> <td>3.41 ~ 4.18Ω</td> <td>2.99 ~ 3.67Ω</td> <td>2.52 ~ 3.09Ω</td> </tr> <tr> <td>C-S</td> <td>5.41 ~ 6.63Ω</td> <td>3.35 ~ 4.11Ω</td> <td>5.41 ~ 6.63Ω</td> <td>4.02 ~ 4.39Ω</td> <td>5.04 ~ 6.18Ω</td> <td></td> </tr> </tbody> </table> <table border="1"> <thead> <tr> <th rowspan="2"></th> <th colspan="4">Normal</th> <th rowspan="2">Abnormal</th> </tr> <tr> <th colspan="2">MUX-A25WV</th> <th colspan="2">MUX-A26WV</th> </tr> </thead> <tbody> <tr> <td></td> <td>RN145VHSHT</td> <td>RN145VHSHT</td> <td>RN145VHSHT</td> <td>RN125VHSHT</td> <td rowspan="2">Open or short-circuit</td> </tr> <tr> <td>C-R</td> <td>2.14 ~ 2.63Ω</td> <td>2.14 ~ 2.63Ω</td> <td>2.14 ~ 2.63Ω</td> <td>2.52 ~ 3.09Ω</td> </tr> <tr> <td>C-S</td> <td>3.35 ~ 4.11Ω</td> <td>3.35 ~ 4.11Ω</td> <td>3.35 ~ 4.11Ω</td> <td>5.04 ~ 6.18Ω</td> <td></td> </tr> </tbody> </table>		Normal					Abnormal	MUX-A10WV	MUX-A19WV		MUX-A20WV			RN092VHSHT	RN145VHSHT	RN092VHSHT	RN099VHSHT	RN125VHSHT	Open or short-circuit	C-R	3.41 ~ 4.18Ω	2.14 ~ 2.63Ω	3.41 ~ 4.18Ω	2.99 ~ 3.67Ω	2.52 ~ 3.09Ω	C-S	5.41 ~ 6.63Ω	3.35 ~ 4.11Ω	5.41 ~ 6.63Ω	4.02 ~ 4.39Ω	5.04 ~ 6.18Ω			Normal				Abnormal	MUX-A25WV		MUX-A26WV			RN145VHSHT	RN145VHSHT	RN145VHSHT	RN125VHSHT	Open or short-circuit	C-R	2.14 ~ 2.63Ω	2.14 ~ 2.63Ω	2.14 ~ 2.63Ω	2.52 ~ 3.09Ω	C-S	3.35 ~ 4.11Ω	3.35 ~ 4.11Ω	3.35 ~ 4.11Ω	5.04 ~ 6.18Ω		
	Normal					Abnormal																																																							
	MUX-A10WV	MUX-A19WV		MUX-A20WV																																																									
	RN092VHSHT	RN145VHSHT	RN092VHSHT	RN099VHSHT	RN125VHSHT	Open or short-circuit																																																							
C-R	3.41 ~ 4.18Ω	2.14 ~ 2.63Ω	3.41 ~ 4.18Ω	2.99 ~ 3.67Ω	2.52 ~ 3.09Ω																																																								
C-S	5.41 ~ 6.63Ω	3.35 ~ 4.11Ω	5.41 ~ 6.63Ω	4.02 ~ 4.39Ω	5.04 ~ 6.18Ω																																																								
	Normal				Abnormal																																																								
	MUX-A25WV		MUX-A26WV																																																										
	RN145VHSHT	RN145VHSHT	RN145VHSHT	RN125VHSHT	Open or short-circuit																																																								
C-R	2.14 ~ 2.63Ω	2.14 ~ 2.63Ω	2.14 ~ 2.63Ω	2.52 ~ 3.09Ω																																																									
C-S	3.35 ~ 4.11Ω	3.35 ~ 4.11Ω	3.35 ~ 4.11Ω	5.04 ~ 6.18Ω																																																									
Outdoor fan motor (MF, MF61) INNER FUSE MUX-A10WV 145°C OPEN  INNER PROTECTOR MUX-A19/A20/A25/ A26WV 145±8°C OPEN	<p>Measure the resistance between the terminals with a tester. (Coil wiring temperature -10°C ~ 40°C)</p> <table border="1"> <thead> <tr> <th rowspan="2">Color of lead wire</th> <th colspan="3">Normal</th> <th rowspan="2">Abnormal</th> </tr> <tr> <th>MUX-A10WV</th> <th>MUX-A19WV</th> <th>MUX-A20WV</th> </tr> </thead> <tbody> <tr> <td>WHT-BLK</td> <td>196 ~ 241Ω</td> <td>79 ~ 98Ω</td> <td>79 ~ 98Ω</td> <td rowspan="2">Open or short-circuit</td> </tr> <tr> <td>BLK-RED</td> <td>208 ~ 246Ω</td> <td>129 ~ 158Ω</td> <td>129 ~ 158Ω</td> </tr> </tbody> </table> <p>Measure the resistance between the terminals with a tester. (Coil wiring temperature -10°C ~ 40°C)</p> <table border="1"> <thead> <tr> <th rowspan="2">Color of lead wire</th> <th colspan="2">Normal</th> <th rowspan="2">Abnormal</th> </tr> <tr> <th>MUX-A25WV</th> <th>MUX-A26WV</th> </tr> </thead> <tbody> <tr> <td>WHT-BLK</td> <td>79 ~ 98Ω</td> <td>69 ~ 85Ω</td> <td rowspan="2">Open or short-circuit</td> </tr> <tr> <td>BLK-RED</td> <td>129 ~ 158Ω</td> <td>70 ~ 86Ω</td> </tr> </tbody> </table>	Color of lead wire	Normal			Abnormal	MUX-A10WV	MUX-A19WV	MUX-A20WV	WHT-BLK	196 ~ 241Ω	79 ~ 98Ω	79 ~ 98Ω	Open or short-circuit	BLK-RED	208 ~ 246Ω	129 ~ 158Ω	129 ~ 158Ω	Color of lead wire	Normal		Abnormal	MUX-A25WV	MUX-A26WV	WHT-BLK	79 ~ 98Ω	69 ~ 85Ω	Open or short-circuit	BLK-RED	129 ~ 158Ω	70 ~ 86Ω	<p><b>MUX-A10WV</b></p> <p><b>MUX-A19/A20/A25/A26WV</b></p>																													
Color of lead wire	Normal			Abnormal																																																									
	MUX-A10WV	MUX-A19WV	MUX-A20WV																																																										
WHT-BLK	196 ~ 241Ω	79 ~ 98Ω	79 ~ 98Ω	Open or short-circuit																																																									
BLK-RED	208 ~ 246Ω	129 ~ 158Ω	129 ~ 158Ω																																																										
Color of lead wire	Normal		Abnormal																																																										
	MUX-A25WV	MUX-A26WV																																																											
WHT-BLK	79 ~ 98Ω	69 ~ 85Ω	Open or short-circuit																																																										
BLK-RED	129 ~ 158Ω	70 ~ 86Ω																																																											
Solenoid coil (21R, 21RA, 21RB, 21R1, 21R2, 21R3, 21R4)	<p>Measure the resistance with a tester. (Part temperature -10°C ~ 40°C)</p> <table border="1"> <thead> <tr> <th>Normal</th> <th>Abnormal</th> </tr> </thead> <tbody> <tr> <td>1410 ~ 1730Ω</td> <td>Open or short-circuit</td> </tr> </tbody> </table>	Normal	Abnormal	1410 ~ 1730Ω	Open or short-circuit																																																								
Normal	Abnormal																																																												
1410 ~ 1730Ω	Open or short-circuit																																																												

Ⓟ INNER PROTECTOR

When OPERATION INDICATOR lamp flashes 3-time.  
Indoor fan motor doesn't operate.

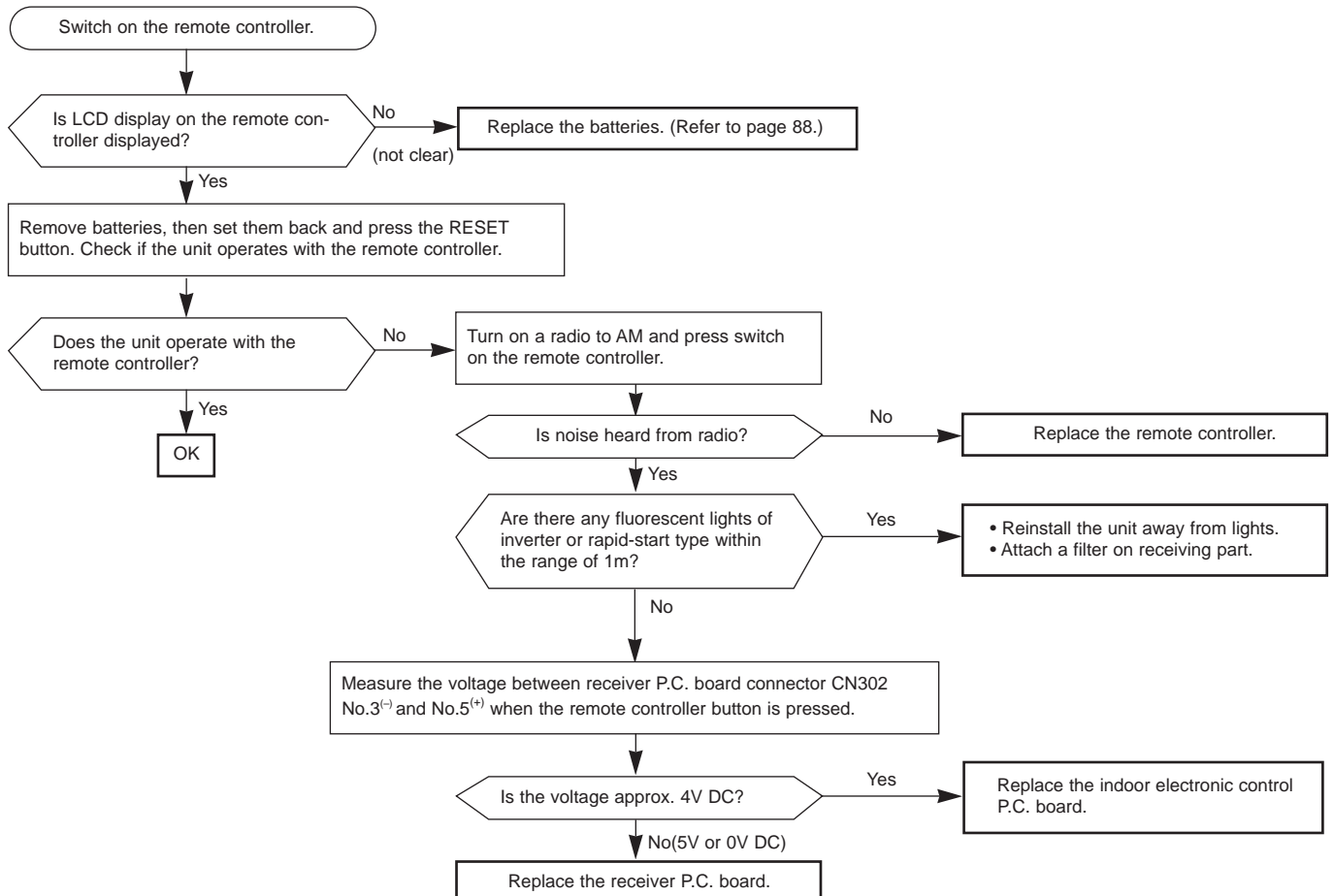
**Ⓐ Check of indoor fan motor**



Indoor unit operates by pressing the EMERGENCY OPERATION switch, but doesn't operate with the remote controller.

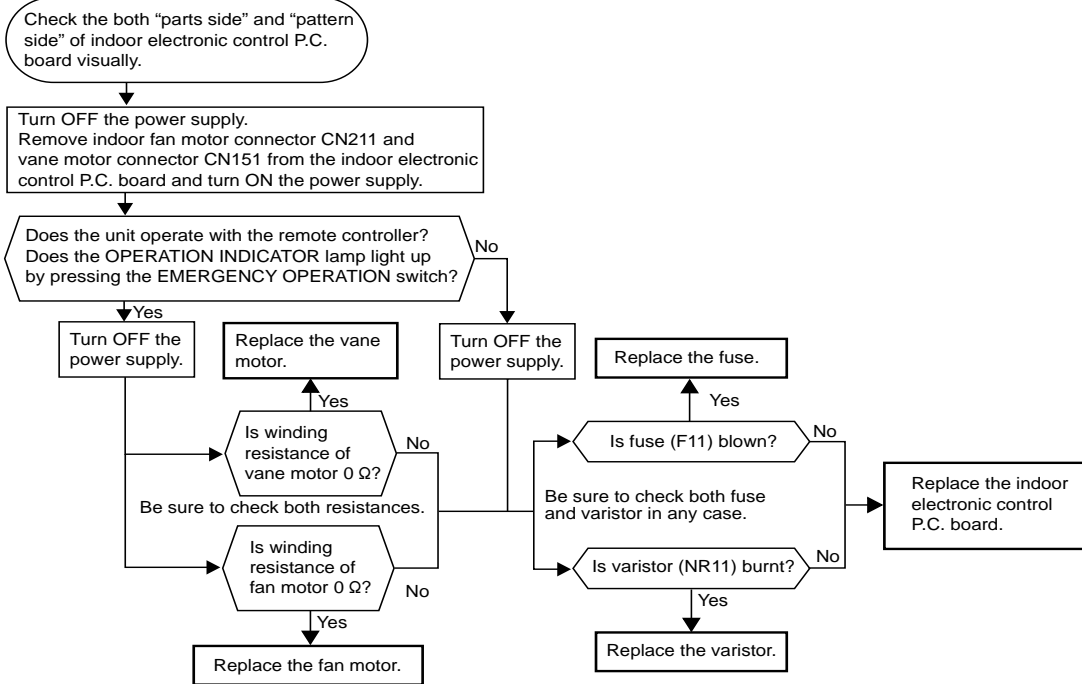
**Ⓑ Check of remote controller and receiver P.C. board**

\*Check the remote controller is exclusive for this air conditioner.



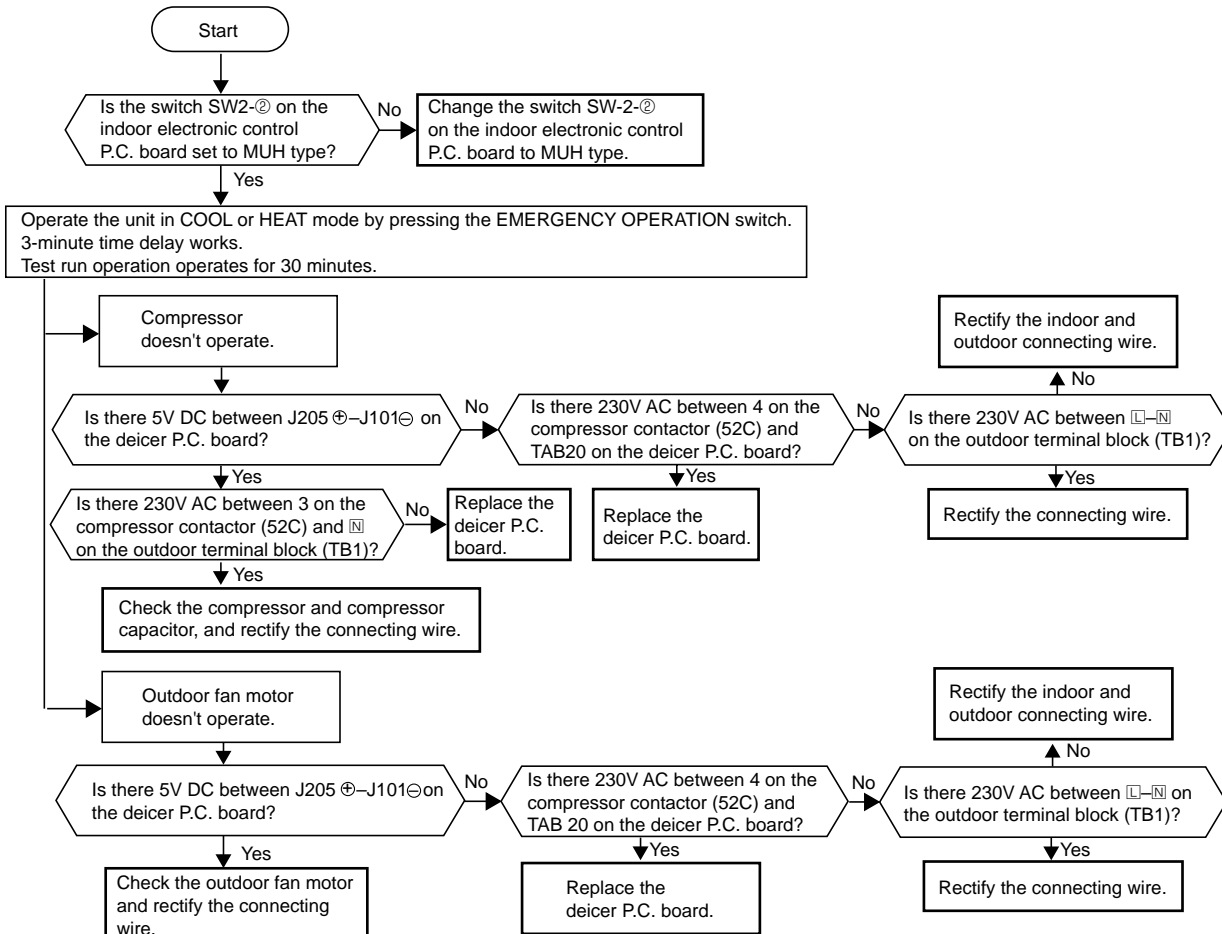
The unit doesn't operate with the remote controller.  
 Also, the OPERATION INDICATOR lamp doesn't light up by pressing the EMERGENCY OPERATION switch.

**© Check of indoor electronic control P.C. board**



Compressor and/or outdoor fan motor doesn't operate.

**① Check of outdoor unit <MUH-A07/A09/A12WV>**

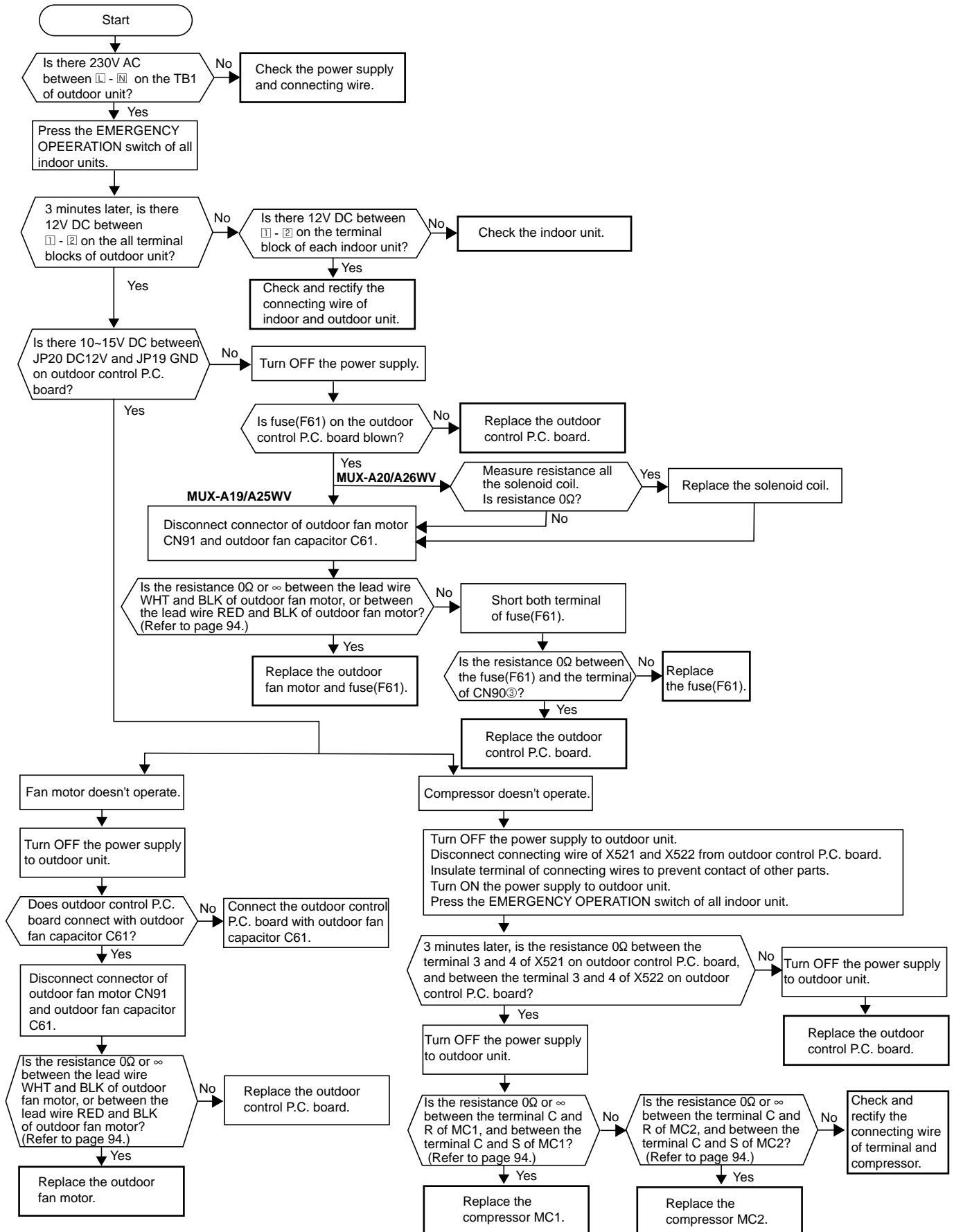




Compressor and/or outdoor fan doesn't operate.

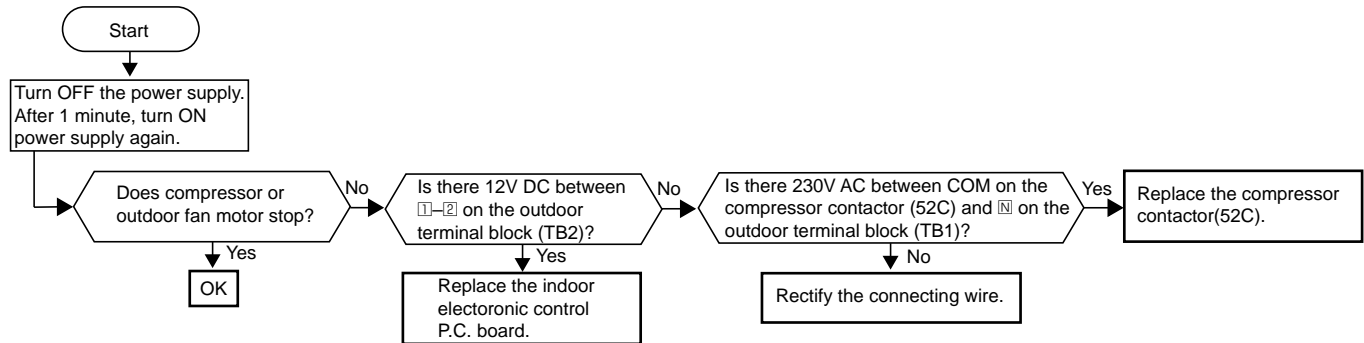
④ Check of outdoor unit

<MUX-A19/A20/A25/A26WV>



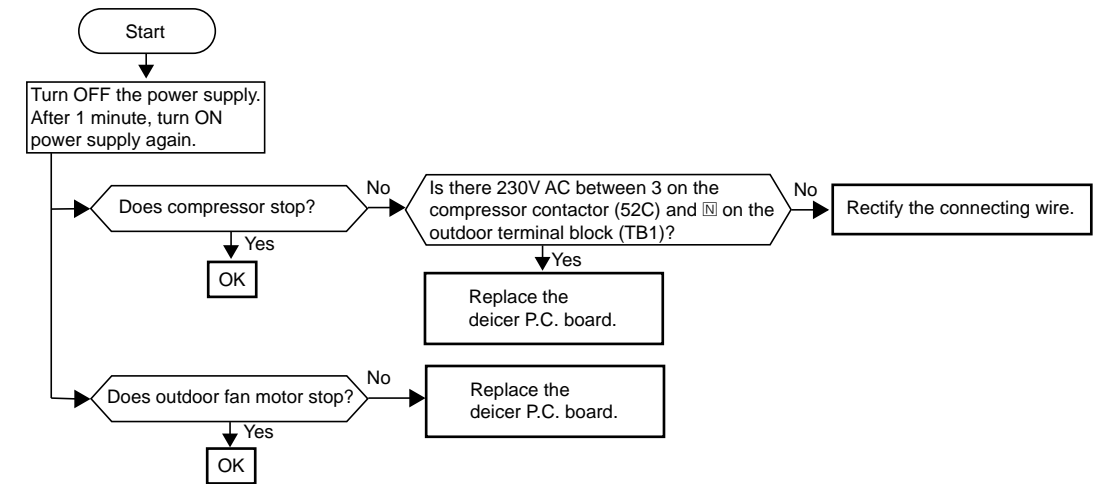
**Compressor and/or outdoor fan motor doesn't stop.**

**Ⓔ Check of outdoor unit** <MU-A07/A09/A12WV>



**Compressor and/or outdoor fan motor doesn't stop.**

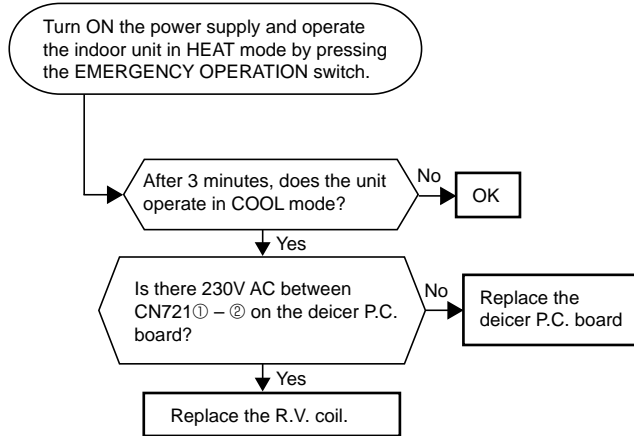
**Ⓔ Check of outdoor unit** <MUH-A07/A09/A12WV>



**Unit operates COOL mode even if it is set to HEAT mode.**

\* First, measure the resistance of R.V. coil to confirm it is disconnected or is not short-circuit.

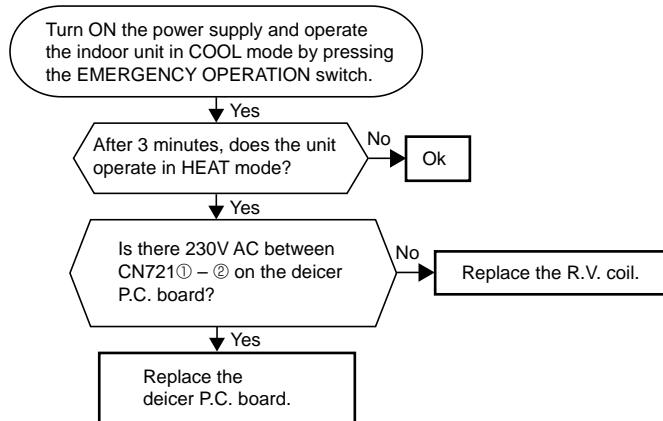
**Ⓔ Check of R.V. coil** <MUH-A07/A09/A12WV>



**Unit operates HEAT mode even if it is set to COOL mode.**

\* First, measure the resistance of R.V. coil to confirm it is disconnected or is not short-circuit.

**Ⓔ Check of R.V. coil** <MUH-A07/A09/A12WV>



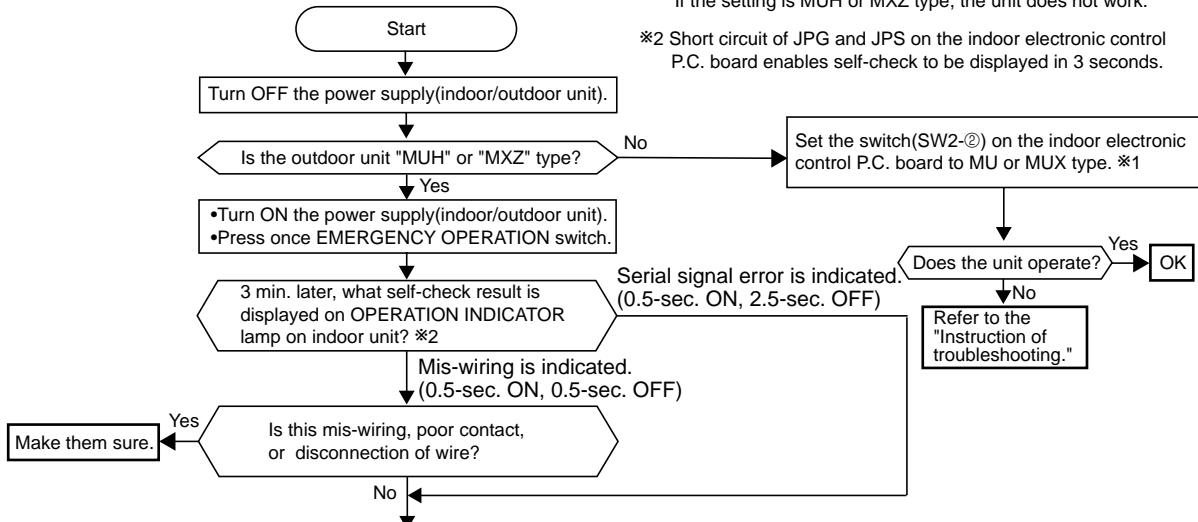
When OPERATION INDICATOR lamp flashes 0.5-second intervals or 1-time.  
Outdoor unit does not operate.

© How to check mis-wiring and serial signal error

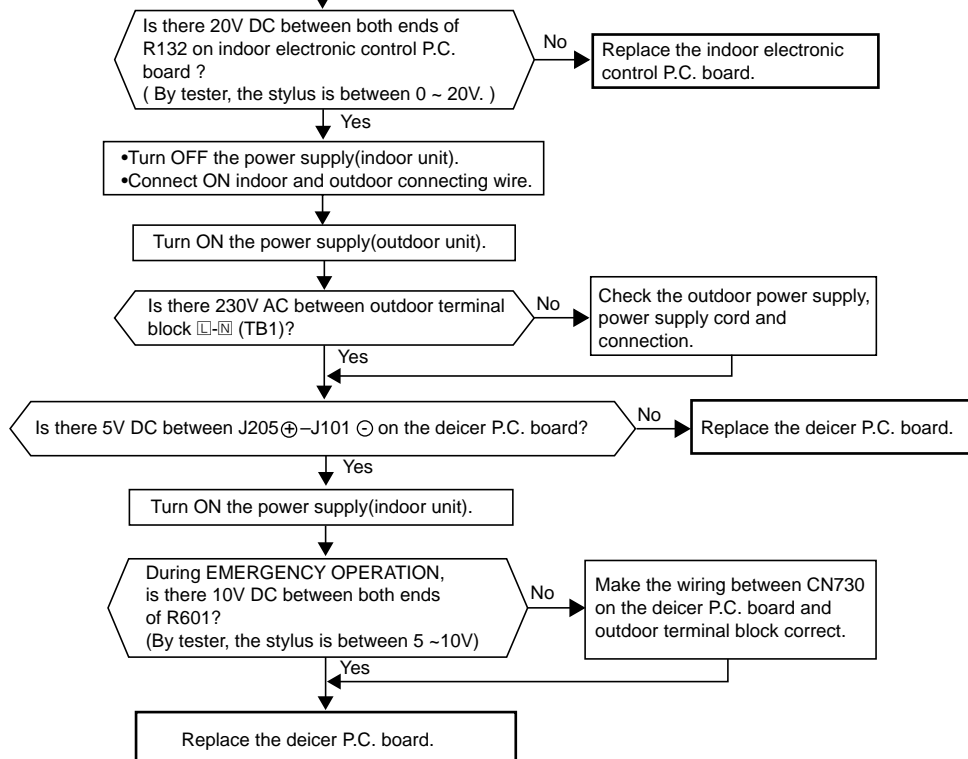
<MUH-A07/A09/A12WV>

※1 Set the switch(SW2-②) on indoor electronic control P.C. board to MU or MUX type, when the outdoor unit is MU or MUX type. If the setting is MUH or MXZ type, the unit does not work.

※2 Short circuit of JPG and JPS on the indoor electronic control P.C. board enables self-check to be displayed in 3 seconds.



1. Turn OFF the power supply(indoor/outdoor unit) and disconnect indoor and outdoor connecting wire on indoor side.
2. Short-circuit between indoor terminal block ㉒ and ㉓.
3. Turn ON the power supply(indoor unit) and press once EMERGENCY OPERATION switch.

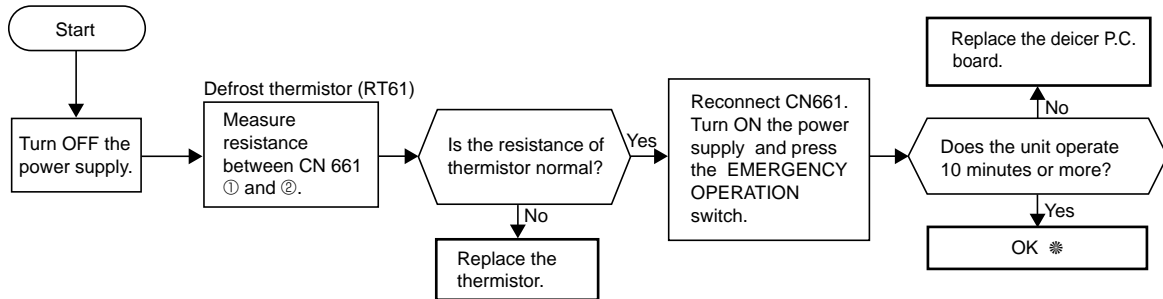


NOTE: As for outdoor units MXZ-A18/A26/A32WV, refer to service manual OB319.

When OPERATION INDICATOR lamp flashes 6-time.  
Thermistors in the outdoor unit are abnormal.

**Ⓜ Check of outdoor thermistor**

<MUH-A07/A09/A12WV>



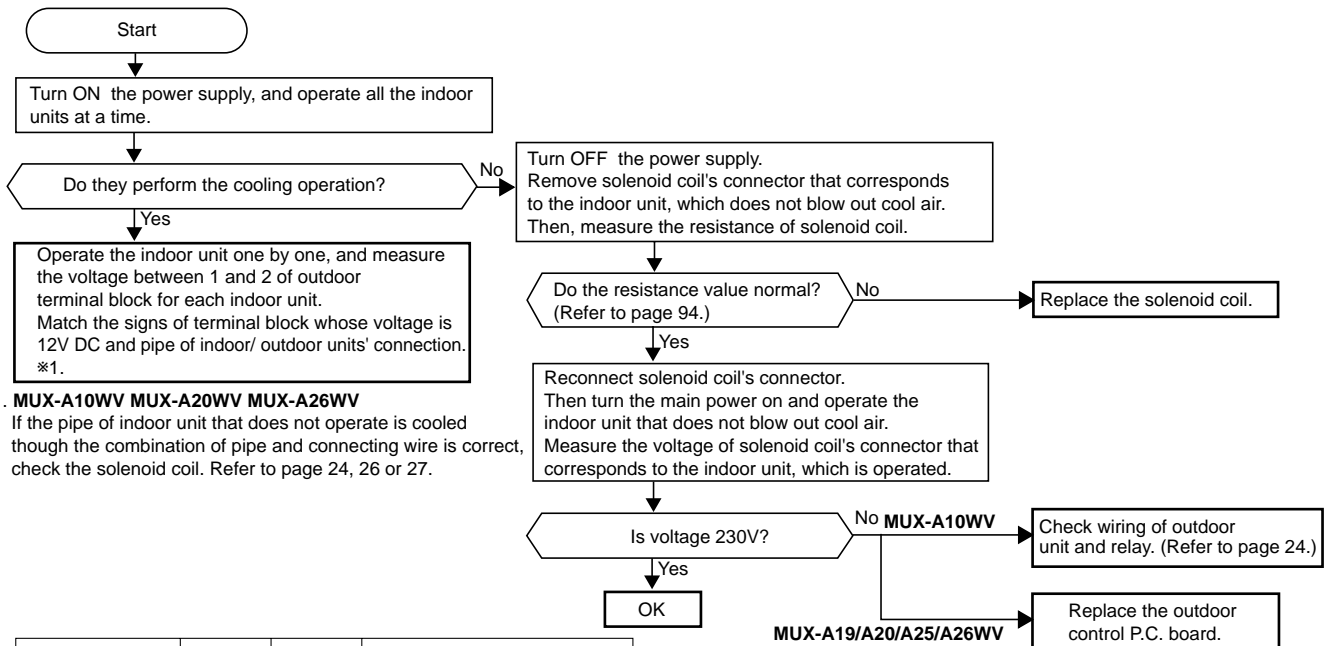
\* Defective contact of the connector is considered.

Cool air does not blow out although indoor unit is operating.

**① Check of indoor/outdoor units' connection and outdoor unit**

<MUX-A10/A19/A20/A25/A26WV>

\* In case of troubleshooting, be sure to operate indoor unit by emergency operation switch.



\*1. **MUX-A10WV MUX-A20WV MUX-A26WV**  
If the pipe of indoor unit that does not operate is cooled though the combination of pipe and connecting wire is correct, check the solenoid coil. Refer to page 24, 26 or 27.

Model	Indoor unit	Terminal block	Connector for solenoid coil control	
MUX-A10WV	A	TB2	21R1	21R
	B	TB2	21R2	
MUX-A20WV	B	TB3	21R3-CN85	21RB-CN81
	C	TB4	21R4-CN86	
MUX-A26WV	A	TB2	21R1-CN83	21RA-CN82
	B	TB3	21R2-CN84	
	C	TB4	21R3-CN85	21RB-CN81
	D	TB5	21R4-CN86	

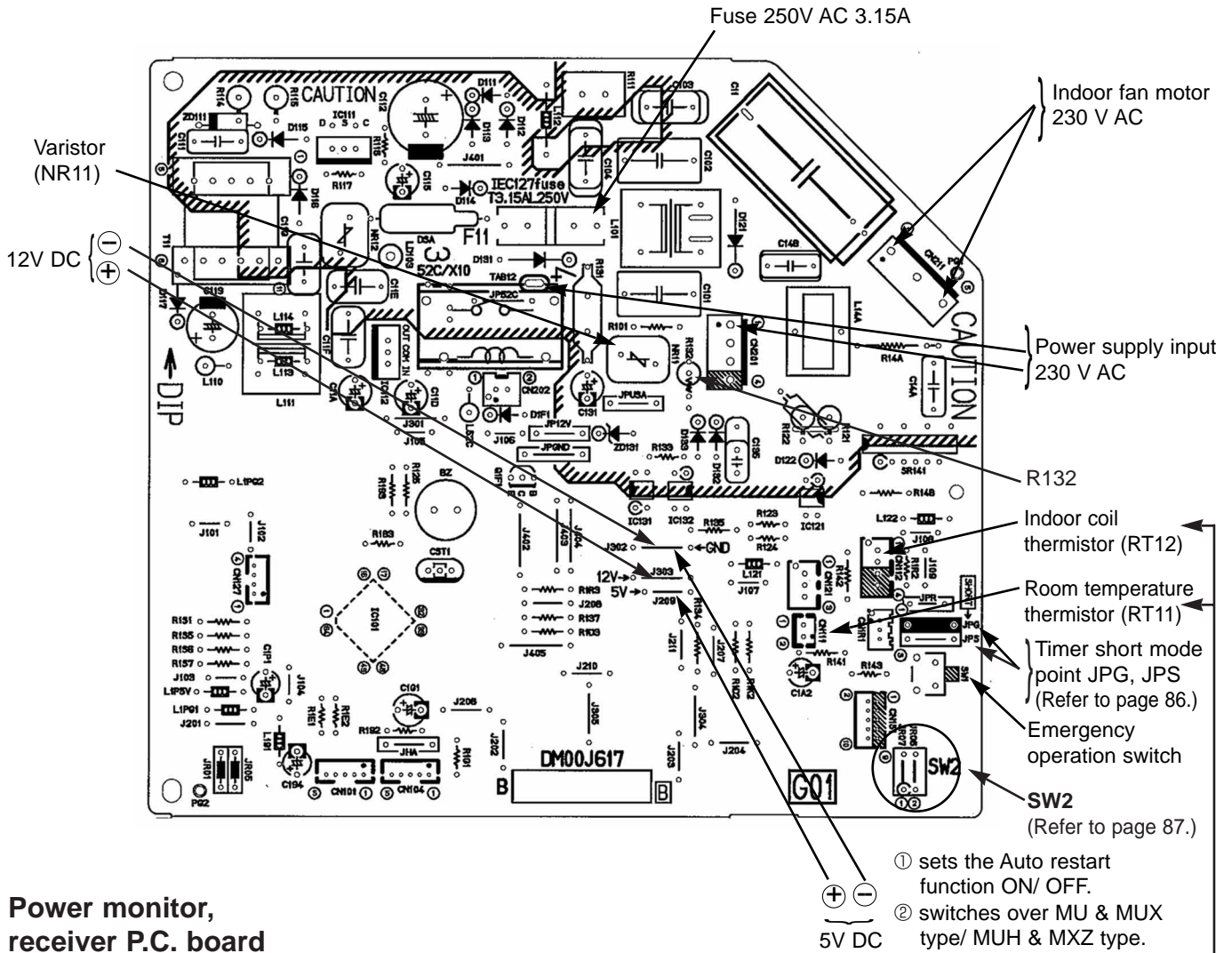
# TEST POINT DIAGRAM AND VOLTAGE

MSC-A07WV -E1

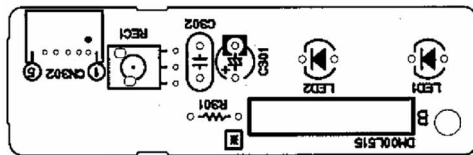
MSC-A09WV -E1

MSC-A12WV -E1

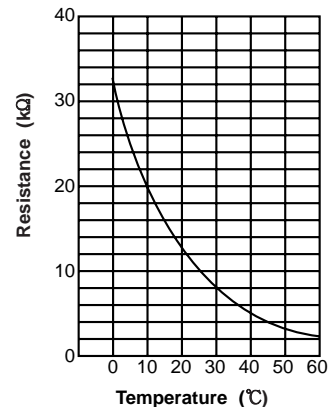
## Indoor electronic control P.C. board



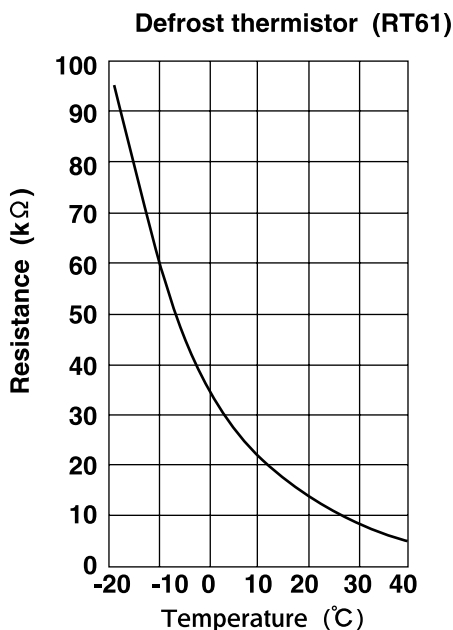
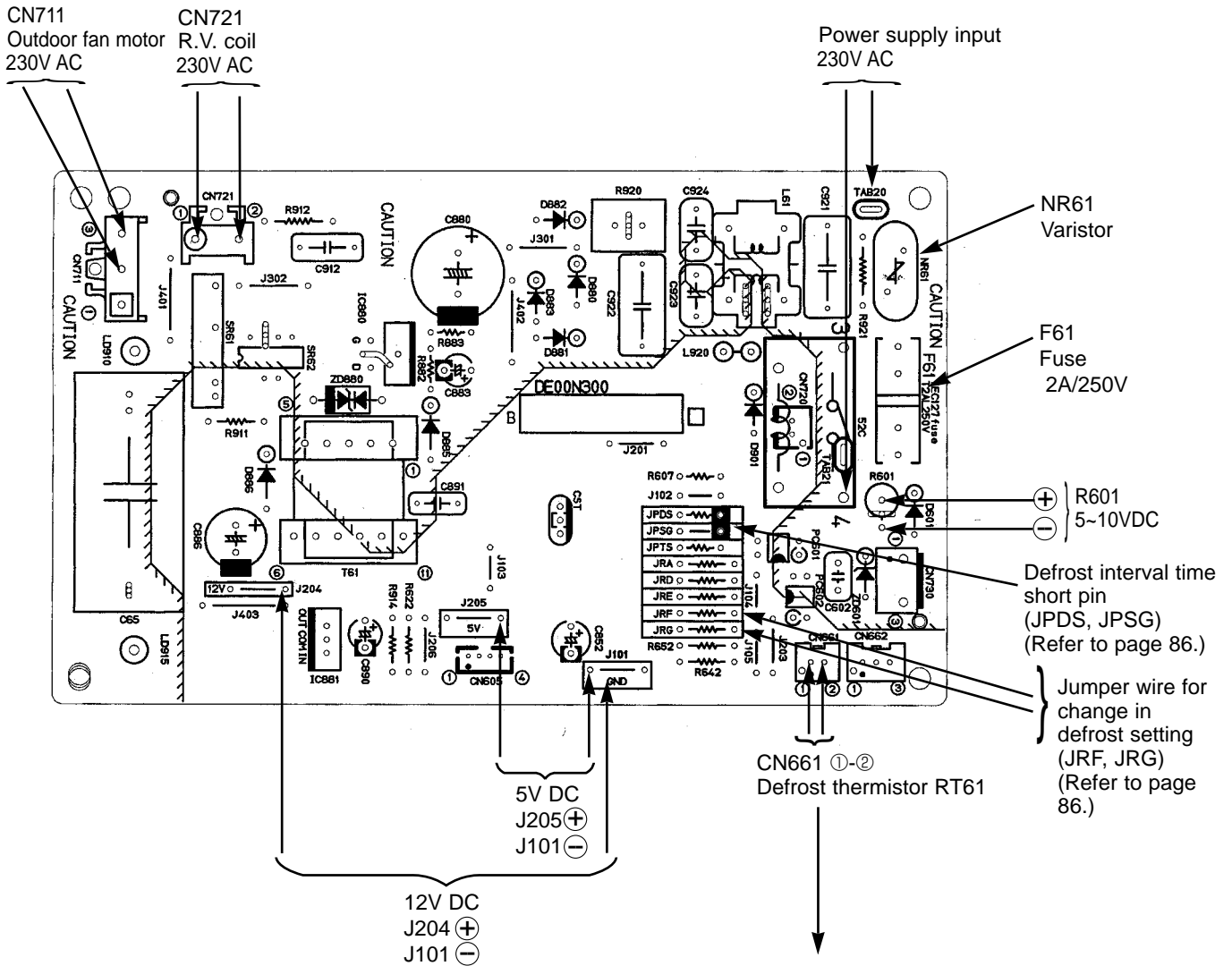
## Power monitor, receiver P.C. board



Indoor coil thermistor (RT12)  
Room temperature thermistor (RT11)



**MUH-A07WV -E1**  
**MUH-A09WV -E1**  
**MUH-A12WV -E1**  
**Outdoor deicer P.C. board**



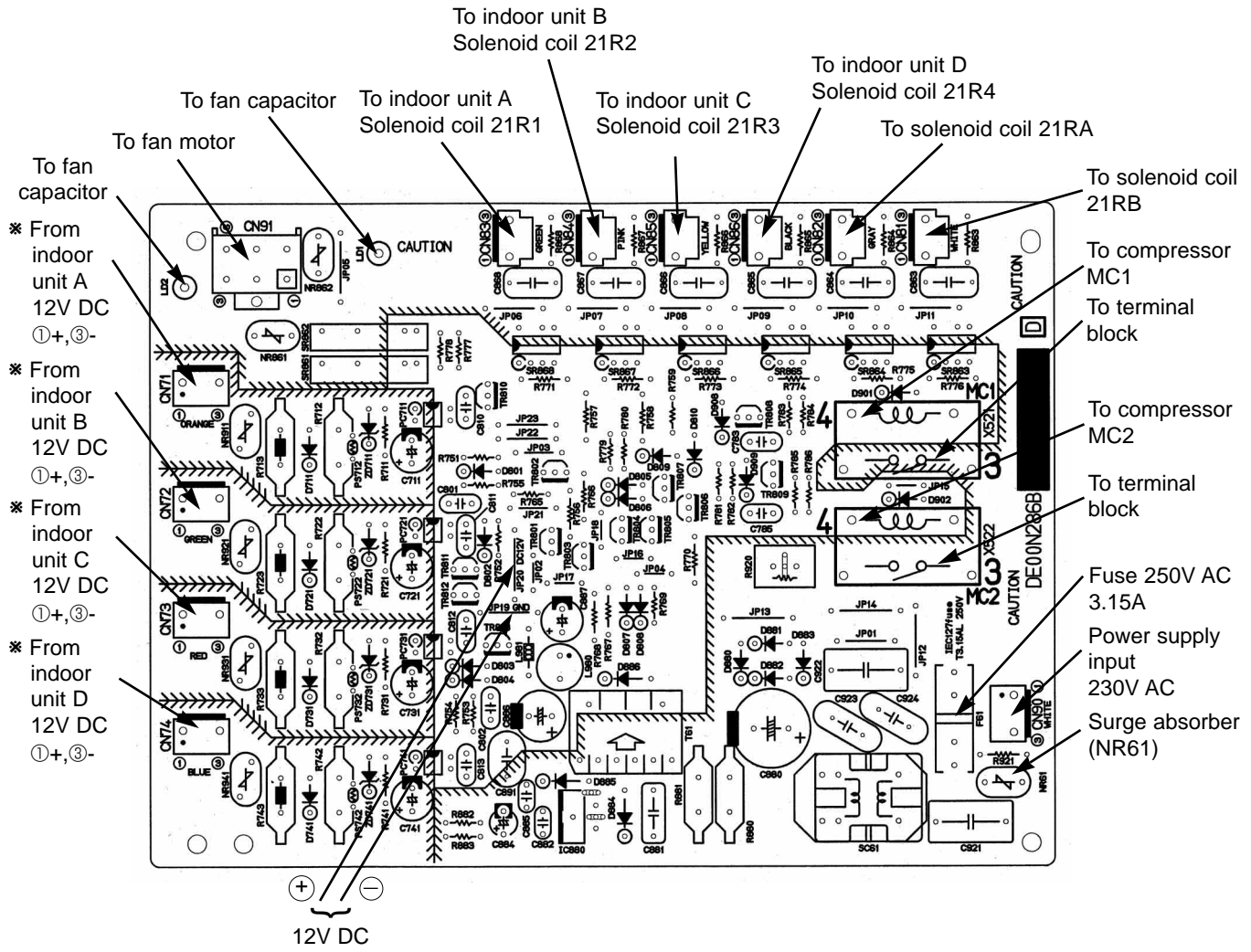
MUX-A19WV -E1

MUX-A20WV -E1

MUX-A25WV -E1

MUX-A26WV -E1

Outdoor control P.C. board



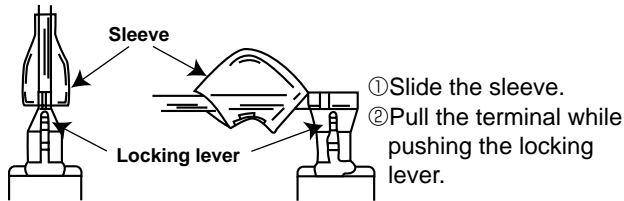
\* In case of MUX-A26WV



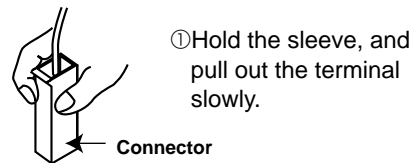
## &lt;"Terminal with lock mechanism" Detaching points&gt;

In case of terminal with lock mechanism, detach the terminal as shown below.  
There are two types ( Refer to (1) and (2) ) of the terminal with lock mechanism.  
The terminal with no lock mechanism can be removed by pulling it out.  
Check the shape of the terminal and work.

(1) Slide the sleeve and check if there is a locking lever or not.



(2) The terminal with this connector is a terminal with lock mechanism



### 13-1. MSC-A07WV -E1 MSC-A09WV -E1 MSC-A12WV -E1 INDOOR UNIT

**NOTE :** These photos are MSC-A09WV.  
Other models are almost the same as MSC-A09WV.

OPERATING PROCEDURE	PHOTOS
<p><b>1. Removing the front panel</b></p> <ol style="list-style-type: none"> <li>(1) Remove the screw caps of the front panel. Remove the screws.</li> <li>(2) Pull the panel down to your side slightly and unhook the catches at the top.</li> </ol>	<p><b>Photo 1</b></p> <p>Screws of the front panel</p>
<p><b>2. Removing the electronic control P.C. board and the power monitor, receiver P.C. board</b></p> <p><b>NOTE :</b> In case of removing only indoor electronic control P.C. board, work (3) is not necessary.</p> <ol style="list-style-type: none"> <li>(1) Remove the front panel. (Refer to 1.)</li> <li>(2) Remove the power monitor, receiver P.C. board holder from the bottom of electrical box.</li> <li>(3) Open the power monitor, receiver P.C. board holder and remove the power monitor, receiver P.C. board.</li> <li>(4) Remove the screw of the electrical cover and the electrical cover.</li> <li>(5) Remove the screw of the V.A. clamp and the V.A. clamp.</li> <li>(6) Remove the screw of the cord clamp and the cord clamp.</li> <li>(7) Remove the screw of the terminal block.</li> <li>(8) Remove the screw of the ground wire.</li> <li>(9) Pull out indoor electronic control P.C. board slightly.</li> <li>(10) Disconnect all (except CN101) the connectors on the electronic control P.C. board.</li> <li>(11) Remove the electronic control P.C. board.</li> <li>(12) Disconnect the connector of power monitor, receiver P.C. board (CN101) on the electronic control P.C. board.</li> </ol>	<p><b>Photo 2</b></p> <p>Terminal block fixing screw Screw of the ground wire Indoor electronic control P.C. board Cord clamp fixing screw Screw of the V.A. clamp Screw of the electrical cover Power monitor, receiver P.C. board holder</p>

## OPERATING PROCEDURE

### 3. Removing the electrical box

- (1) Remove the front panel. (Refer to 1.)
- (2) Remove the electrical cover. (Refer to 2.)
- (3) Remove the V.A. clamp. (Refer to 2.)
- (4) Remove the cord clamp. (Refer to 2.)
- (5) Remove the terminal block. (Refer to 2.)
- (6) Remove the screw of ground wire. (Refer to 2.)
- (7) Disconnect the connector of the indoor coil thermistor (CN112), the fan motor connector (CN211 and CN121) and the vane motor connector (CN151) on the electronic control P.C. board.
- (8) Remove the fan motor lead wire and indoor coil thermistor from the electrical box.
- (9) Remove the lead wire of vane motor from the bottom of electrical box.
- (10) Remove the screw fixing the electrical box, remove the electrical box.

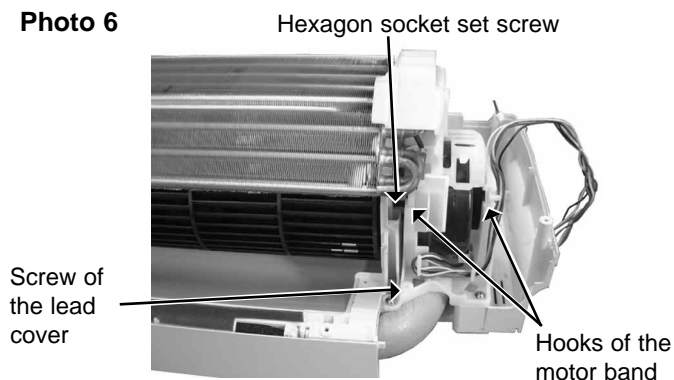
### 4. Removing the nozzle assembly and the vane motor

- (1) Remove the front panel. (Refer to 1.)
- (2) Remove the electrical box. (Refer to 3.)
- (3) Pull out the drain hose from the nozzle assembly, remove the nozzle assembly.
- (4) Remove the screws of the vane motor, disconnect the vane motor connector.
- (5) Remove the vane motor.

### 5. Removing the indoor fan motor and the line flow fan

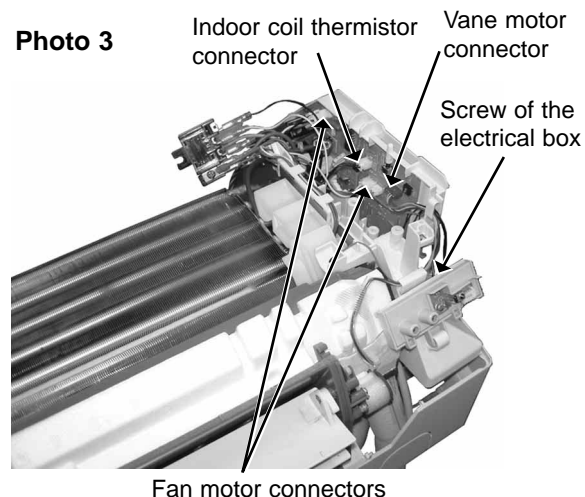
- (1) Remove the front panel. (Refer to 1.)
- (2) Remove the electrical box. (Refer to 3.)
- (3) Pull out the drain hose from the nozzle assembly, remove the nozzle assembly. (Refer to 4.)
- (4) Remove the screw of the lead cover and lead cover.
- (5) Release the hooks to open the motor band slightly.
- (6) Loosen the hexagon socket set screw from the line flow fan.
- (7) Remove the screws fixing the motor bed, remove the fan motor with motor band and the motor bed.
- (8) Remove the screws fixing the left side of the heat exchanger.
- (9) Lift the left side of the heat exchanger.
- (10) Remove the line flow fan.

**Photo 6**

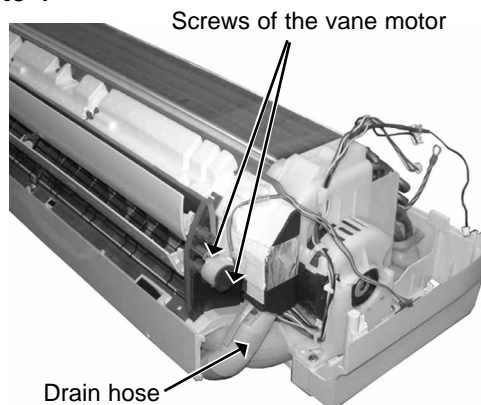


## PHOTOS

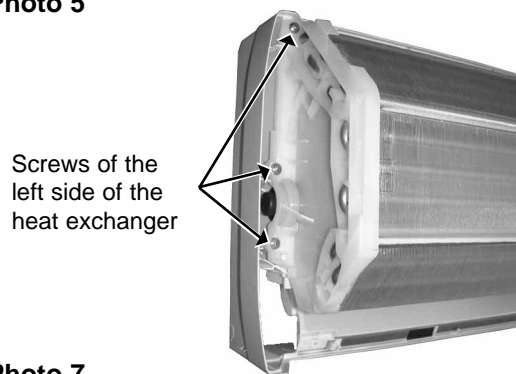
**Photo 3**



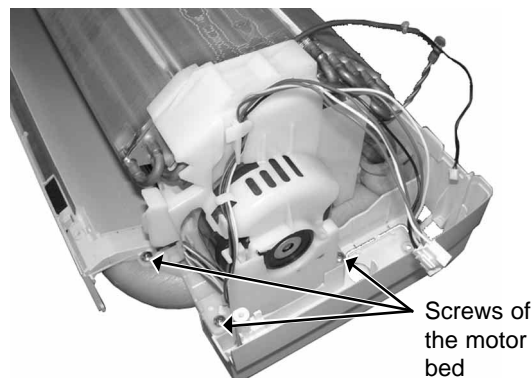
**Photo 4**



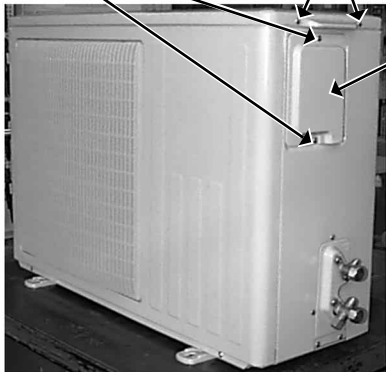
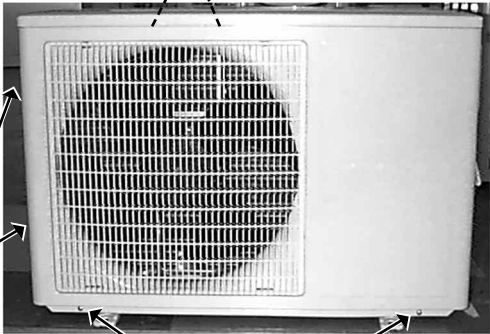
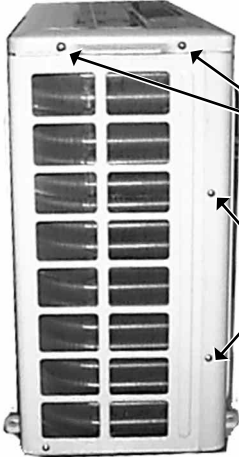
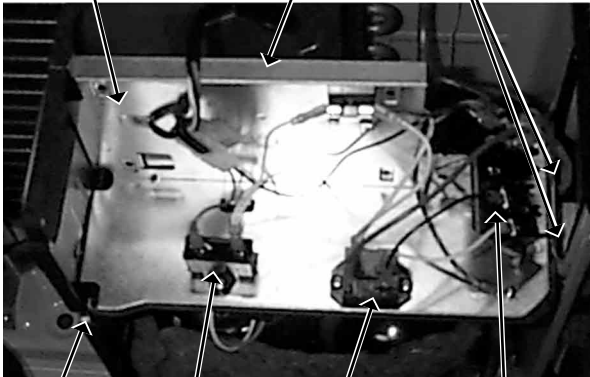
**Photo 5**



**Photo 7**



**13-2. MU-A07WV -[E1] MU-A09WV -[E1] MU-A12WV -[E1]**  
**OUTDOOR UNIT**

OPERATING PROCEDURE	PHOTOS
<p><b>1. Removing the cabinet</b></p> <ol style="list-style-type: none"> <li>(1) Remove the screws of the top panel.</li> <li>(2) Remove the screw of the service panel.</li> <li>(3) Remove the screws of the cabinet.</li> <li>(4) Remove the screws of the front panel and motor support.</li> <li>(5) Remove the service panel, and remove the screw from the insides.</li> <li>(6) Remove the top panel.</li> <li>(7) Remove the cabinet.</li> </ol> <p><b>Photo 3</b></p>  <p>Screws of the service panel      Screws of the top panel</p> <p>Service panel</p>	<p><b>Photo 1</b></p>  <p>Screws of the front panel and motor support</p> <p>Screws of the cabinet</p> <p>Screws of the cabinet</p> <p><b>Photo 2</b></p>  <p>Screws of the top panel</p> <p>Screws of the cabinet</p>
<p><b>2. Removing the electrical parts</b></p> <ol style="list-style-type: none"> <li>(1) Remove the service panel and the cabinet.(Refer to 1.)</li> <li>(2) Remove the following parts. <ul style="list-style-type: none"> <li>• Compressor capacitor (C1)</li> <li>• Outdoor fan capacitor (C2)</li> <li>• Terminal block</li> </ul> </li> </ol>	<p><b>Photo 4</b></p>  <p>Relay panel      Compressor capacitor      Screws</p> <p>Screw      Outdoor fan capacitor      Contractor      Terminal block</p>

## OPERATING PROCEDURE

### 3. Removing the propeller and the outdoor fan motor

- (1) Remove the cabinet. (Refer to 1.)
- (2) Remove the propeller nut.
- (3) Remove the propeller.

**NOTE : Loose the propeller in the rotating direction for removal.**

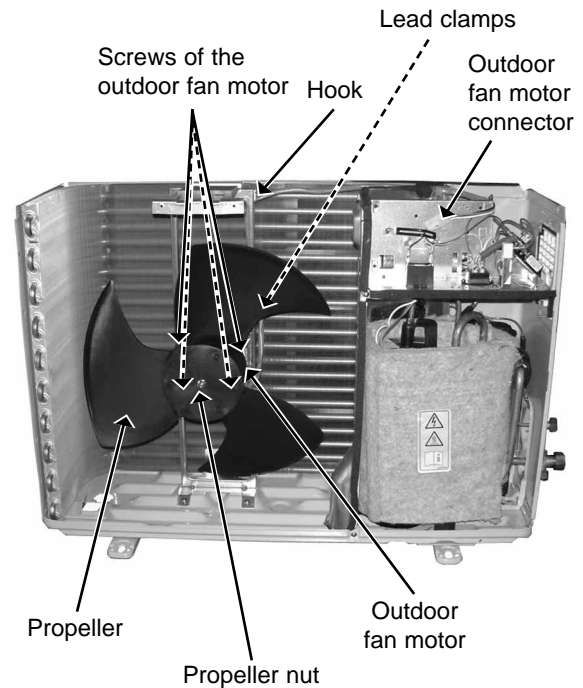
When attaching the propeller, align the mark on the propeller and the motor shaft cut section.

Set the propeller in position by using the cut on the shaft and the mark on the propeller.

- (4) Remove lead clamps and disconnect the outdoor fan motor connector.
- (5) Remove screws fixing the fan motor.
- (6) Remove the outdoor fan motor.

## PHOTOS

Photo 5



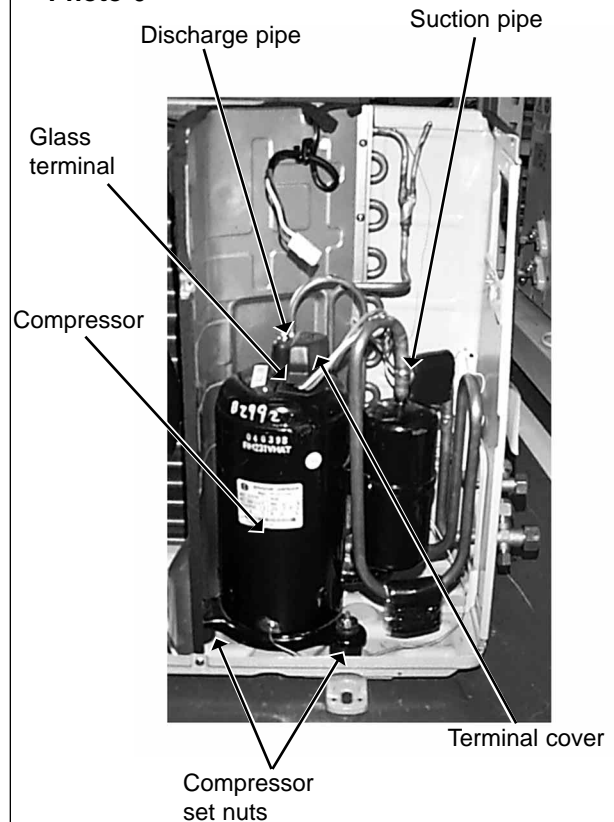
### 4. Removing the compressor

- (1) Remove the cabinet. (Refer to 1.)
- (2) Remove the relay panel.
- (3) Remove the soundproof felt.
- (4) Remove the terminal cover on the compressor.
- (5) Disconnect lead wires from the glass terminal of the compressor.
- (6) Recover gas from the refrigerant circuit.
- (7) Disconnect the welded part of the discharge pipe.
- (8) Disconnect the welded part of the suction pipe.
- (9) Remove nuts fixing the compressor.
- (10) Remove the compressor.

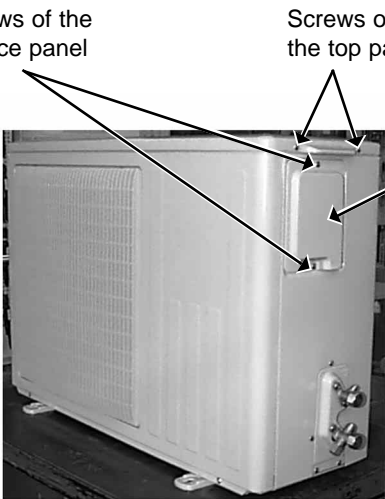
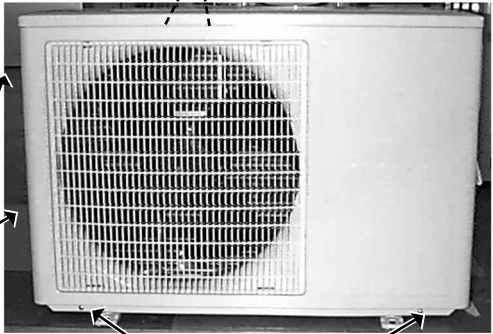
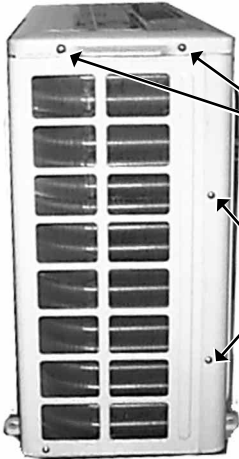
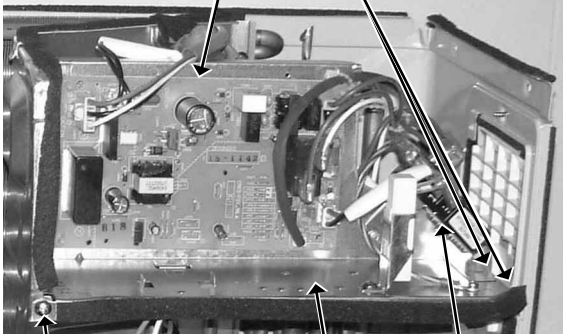
#### NOTE

- Before using a burner, reclaim gas from the pipes until the pressure gauge shows 0 kg/cm<sup>2</sup> (0 MPa) .
- Use the burner under the condition that gas can be recovered even when the inner pressure rises by heat.

Photo 6



**13-3. MUH-A07WV -E1 MUH-A09WV -E1 MUH-A12WV -E1**  
**OUTDOOR UNIT**

OPERATING PROCEDURE	PHOTOS
<p><b>1. Removing the cabinet</b></p> <ol style="list-style-type: none"> <li>(1) Remove the screws of the top panel.</li> <li>(2) Remove the screw of the service panel.</li> <li>(3) Remove the screws of the cabinet.</li> <li>(4) Remove the screws of the front panel and motor support.</li> <li>(5) Remove the service panel, and remove the screw from the insides.</li> <li>(6) Remove the top panel.</li> <li>(7) Remove the cabinet.</li> </ol> <p><b>Photo 3</b></p>  <p>Screws of the service panel      Screws of the top panel</p> <p>Service panel</p>	<p><b>Photo 1</b></p> <p>Screws of the front panel and motor support</p>  <p>Screws of the cabinet      Screws of the cabinet</p> <p><b>Photo 2</b></p>  <p>Screw of the top panel</p> <p>Screws of the cabinet</p>
<p><b>2. Removing the deicer P.C. board</b></p> <ol style="list-style-type: none"> <li>(1) Remove the service panel and the cabinet.</li> <li>(2) Disconnect all the connectors and the terminals on the deicer P.C. board.</li> <li>(3) Remove the deicer P.C. board.</li> </ol>	<p><b>Photo 4</b></p>  <p>Deicer P.C. board      Screws</p> <p>Screw      Relay panel      Terminal block</p>

## OPERATING PROCEDURE

### 3. Removing the propeller and the outdoor fan motor

- (1) Remove the cabinet. (Refer to 1.)
- (2) Remove the propeller nut.
- (3) Remove the propeller.

**NOTE : Loose the propeller in the rotating direction for removal.**

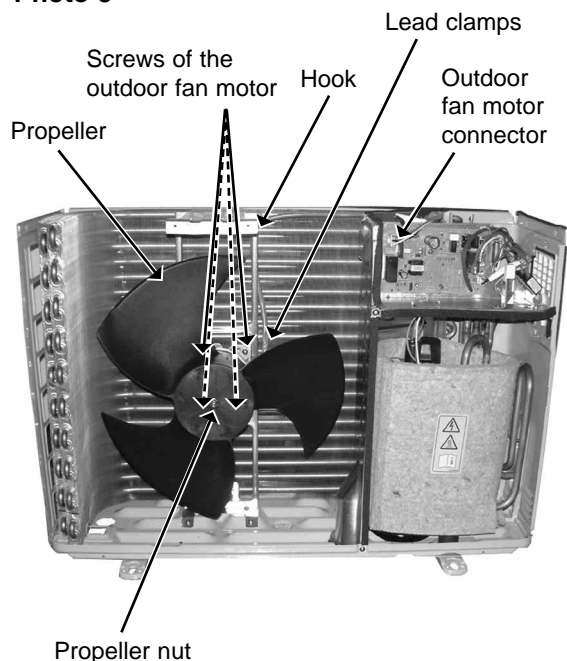
When attaching the propeller, align the mark on the propeller and the motor shaft cut section.

Set the propeller in position by using the cut on the shaft and the mark on the propeller.

- (4) Remove lead clamps and disconnect the outdoor fan motor connector.
- (5) Remove screws fixing the fan motor.
- (6) Remove the outdoor fan motor.

## PHOTOS

Photo 5



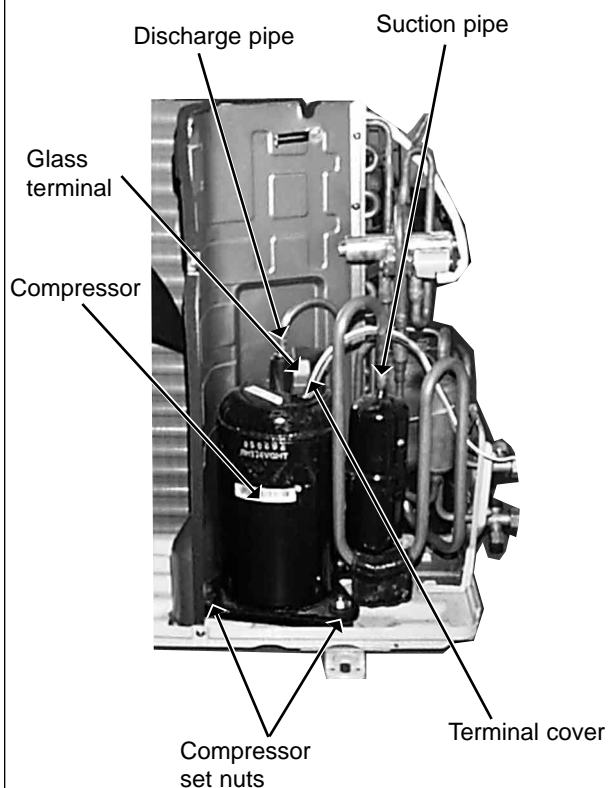
### 4. Removing the compressor

- (1) Remove the cabinet. (Refer to 1.)
- (2) Remove the relay panel.
- (3) Remove the soundproof felt.
- (4) Remove the terminal cover on the compressor.
- (5) Disconnect lead wires from the glass terminal of the compressor.
- (6) Recover gas from the refrigerant circuit.
- (7) Disconnect the welded part of the discharge pipe.
- (8) Disconnect the welded part of the suction pipe.
- (9) Remove nuts fixing the compressor.
- (10) Remove the compressor.

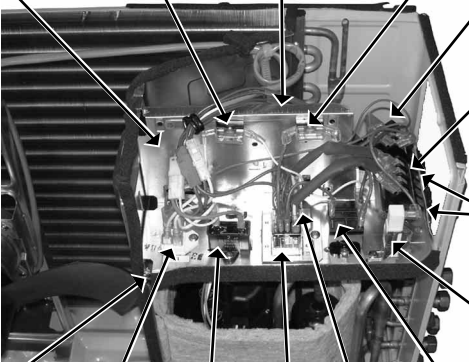

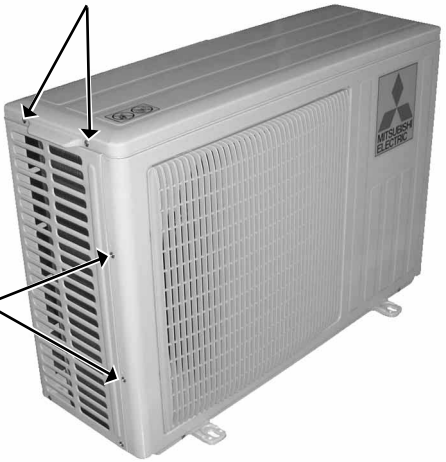

#### NOTE

- Before using a burner, reclaim gas from the pipes until the pressure gauge shows 0 kg/cm<sup>2</sup> (0 MPa) .
- Use the burner under the condition that gas can be recovered even when the inner pressure rises by heat.

Photo 6



## 13-4. MUX-A10WV - [E1] OUTDOOR UNIT

OPERATING PROCEDURE	PHOTOS
<p><b>1. Removing the cabinet</b></p> <ol style="list-style-type: none"> <li>(1) Remove the screws of the top panel.</li> <li>(2) Remove the screw of the service panel.</li> <li>(3) Remove the screws of the cabinet.</li> <li>(4) Remove the screws of the front panel and motor support.</li> <li>(5) Remove the service panel, and remove the screw from the insides.</li> <li>(6) Remove the top panel.</li> <li>(7) Remove the cabinet.</li> </ol> <p><b>Photo 3</b></p>  <p>Labels for Photo 3:</p> <ul style="list-style-type: none"> <li>Fuse (F61)</li> <li>Compressor capacitor (C1)</li> <li>Fuse (F62)</li> <li>Terminal block (TB1)</li> <li>Terminal block (TB2)</li> <li>Screws of fixing relay panel</li> <li>Surge absorber (DSAR)</li> <li>Relay panel</li> <li>Screw of fixing relay panel</li> <li>Outdoor fan capacitor (C2)</li> <li>Relay (x1)</li> <li>Relay (x2)</li> <li>Contactora (52C)</li> <li>Terminal block (TB3)</li> </ul>	<p><b>Photo 1</b></p>  <p>Labels for Photo 1:</p> <ul style="list-style-type: none"> <li>Set screws of the front panel and motor support</li> <li>Screws of the top panel</li> <li>Screws of the service panel</li> <li>Screws of the cabinet</li> </ul> <p><b>Photo 2</b></p>  <p>Labels for Photo 2:</p> <ul style="list-style-type: none"> <li>Screws of the top panel</li> <li>Screws of the cabinet</li> </ul>
<p><b>2. Removing the relay panel</b></p> <ol style="list-style-type: none"> <li>(1) Remove the service panel and the cabinet. (Refer to 1.)</li> <li>(2) Remove the following connectors. <ul style="list-style-type: none"> <li>• Outdoor fan motor</li> <li>• Solenoid coil (21R, 21R1, 21R2)</li> </ul> </li> </ol>	<p><b>Photo 4</b></p>  <p>Labels for Photo 4:</p> <ul style="list-style-type: none"> <li>Set screws of the outdoor fan motor</li> <li>Hook</li> <li>Lead wire</li> <li>Lead clamp</li> <li>Propeller</li> <li>Propeller nut</li> <li>Outdoor fan motor</li> <li>Outdoor fan motor connector</li> <li>Solenoid coil connector (21R, 21R1, 21R2)</li> </ul>

## OPERATING PROCEDURE

### 3. Removing the propeller and the outdoor fan motor

- (1) Remove the cabinet. (Refer to 1.)
- (2) Remove the propeller nut.
- (3) Remove the propeller.

**NOTE : Loose the propeller in the rotating direction for removal.**

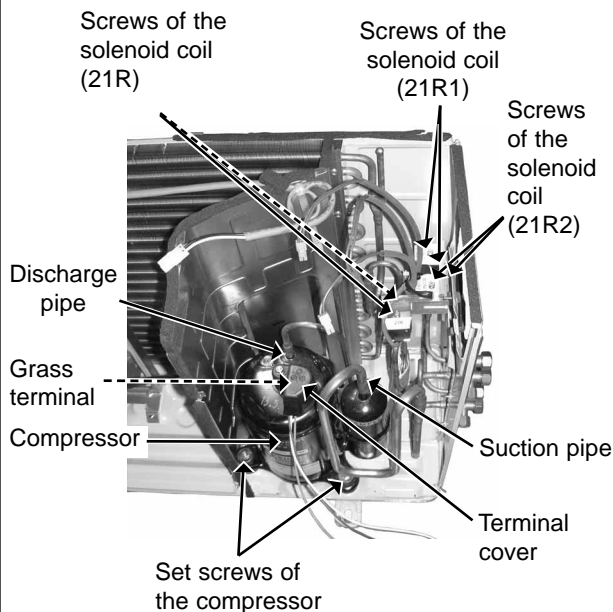
When attaching the propeller, align the mark on the propeller and the motor shaft cut section.

Set the propeller in position by using the cut on the shaft and the mark on the propeller.

- (4) Remove lead clamps and disconnect the outdoor fan motor connector.
- (5) Remove screws fixing the fan motor.
- (6) Remove the outdoor fan motor.

## PHOTOS

Photo 5



### 4. Removing the compressor

- (1) Remove the cabinet. (Refer to 1.)
- (2) Remove the relay panel.
- (3) Remove the soundproof felt.
- (4) Remove the terminal cover on the compressor.
- (5) Disconnect lead wires from the glass terminal of the compressor.
- (6) Recover gas from the refrigerant circuit.
- (7) Disconnect the welded part of the discharge pipe.
- (8) Disconnect the welded part of the suction pipe.
- (9) Remove nuts fixing the compressor.
- (10) Remove the compressor.

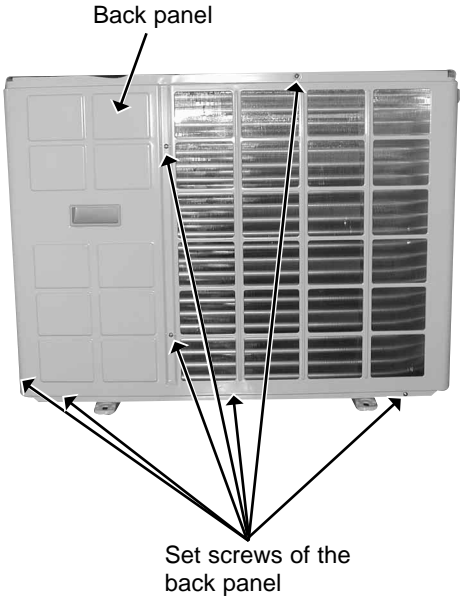
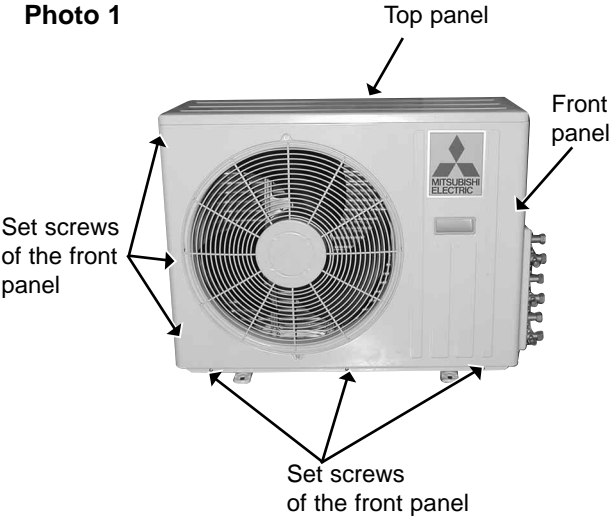
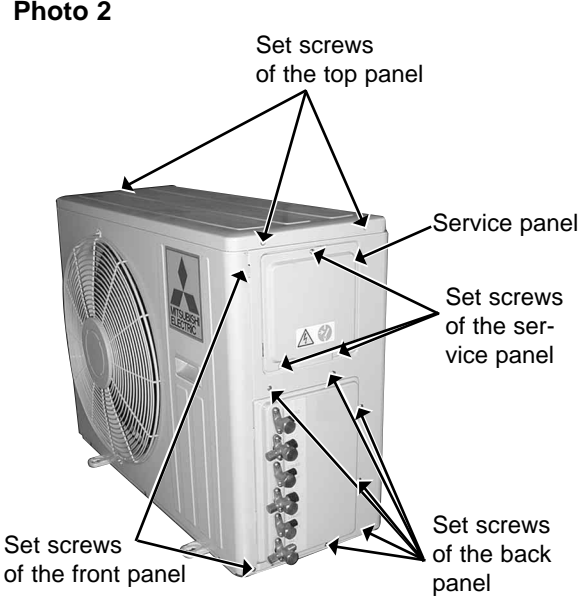
**NOTE**

- Before using a burner, reclaim gas from the pipes until the pressure gauge shows 0 kg/cm<sup>2</sup> (0 MPa) .
- Use the burner under the condition that gas can be recovered even when the inner pressure rises by heat.



**13-5. MUX-A19WV -[E1] MUX-A20WV -[E1] MUX-A25WV -[E1] MUX-A26WV -[E1]**  
**OUTDOOR UNIT**

**NOTE :** These photos are MUX-A20WV.  
 Other models are almost the same as MUX-A20WV.

OPERATING PROCEDURE	PHOTOS
<p><b>1.Removing the cabinet</b></p> <ol style="list-style-type: none"> <li>(1) Remove the screws of the service panel.</li> <li>(2) Remove the screws of the top panel.</li> <li>(3) Remove the service panel.</li> <li>(4) Remove the top panel.</li> <li>(5) Remove the screws of the front panel.</li> <li>(6) Remove the front panel.</li> <li>(7) Remove the screws of the back panel.</li> <li>(8) Remove the back panel.</li> </ol> <p><b>Photo 3</b></p>  <p>Back panel</p> <p>Set screws of the back panel</p>	<p><b>Photo 1</b></p>  <p>Top panel</p> <p>Front panel</p> <p>Set screws of the front panel</p> <p>Set screws of the front panel</p> <p><b>Photo 2</b></p>  <p>Set screws of the top panel</p> <p>Service panel</p> <p>Set screws of the service panel</p> <p>Set screws of the front panel</p> <p>Set screws of the back panel</p>

## OPERATING PROCEDURE

### 2. Removing the relay panel

- (1) Remove the cabinet. (Refer to 1.)
- (2) Disconnect the following connectors.
  - Outdoor fan motor
  - **Only MUX-20WV**  
Solenoid coil (21RB, 21R3, 21R4)
  - **Only MUX-26WV**  
Solenoid coil (21RA, 21RB, 21R1, 21R2, 21R3, 21R4)

### 3. Removing the propeller

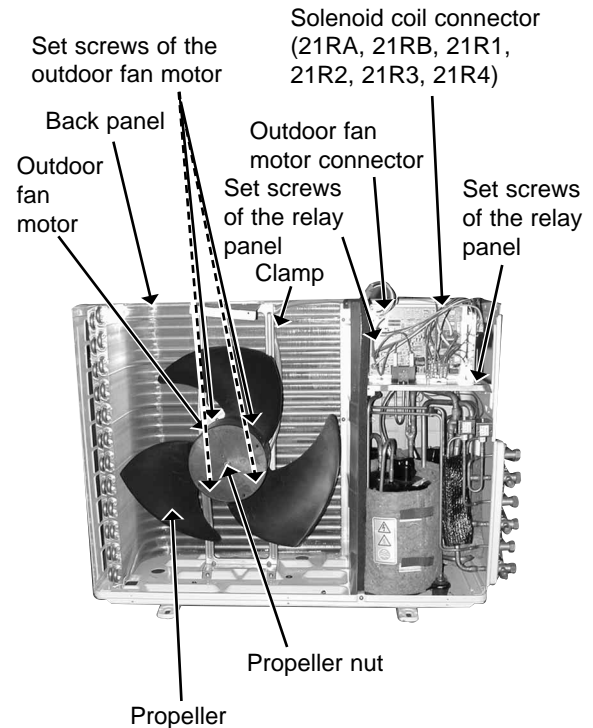
- (1) Remove the cabinet. (Refer to 1.)
  - (2) Remove the propeller nut.
  - (3) Remove the propeller.
- NOTE : Loose the propeller in the rotating direction for removal.**
- When attaching the propeller, align the mark on the propeller and the motor shaft cut section.  
Set the propeller in position by using the cut on the shaft and the mark on the propeller.

### 4. Removing the outdoor fan motor

- (1) Remove the cabinet. (Refer to 1.)
- (2) Remove the propeller. (Refer to 3.)
- (3) Remove the clamp of outdoor fan motor lead wire and disconnect the outdoor fan motor connector.
- (4) Remove the screws fixing the outdoor fan motor.
- (5) Remove the outdoor fan motor.

## PHOTOS

Photo 4



## OPERATING PROCEDURE

### 5. Removing the compressor (A, B)

- (1) Remove the cabinet. (Refer to 1.)
- (2) Remove the relay panel.
- (3) Remove the soundproof felt.
- (4) Remove the terminal cover on the compressor.
- (5) Disconnect lead wires from the compressor.
- (6) Recover gas from the refrigerant circuit.
- (7) Disconnect the welded part of the discharge pipe.
- (8) Disconnect the welded part of the suction pipe.
- (9) Remove nuts fixing the compressor.
- (10) Remove the compressor.

#### NOTE

- Before using a burner, reclaim gas from the pipes until the pressure gauge shows  $0 \text{ kg/cm}^2$  ( $0 \text{ MPa}$ ) .
- Use the burner under the condition that gas can be recovered even when the inner pressure rises by heat.

### 6. Removing the compressor (C)

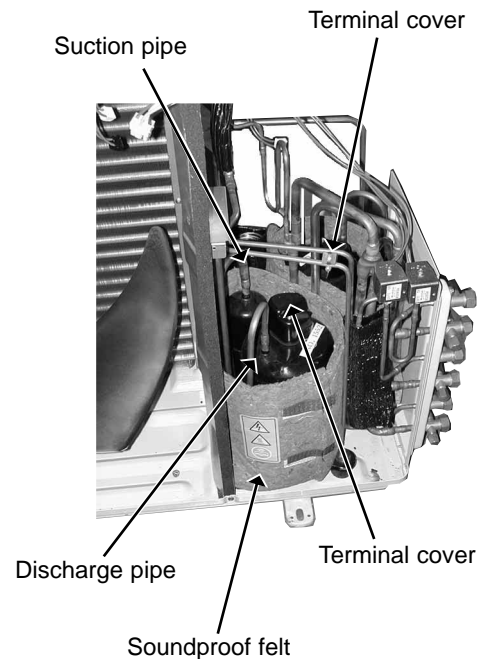
- (1) Remove the cabinet. (Refer to 1.)
- (2) Remove the relay panel. (Refer to 2.)
- (3) Remove the screws fixing back panel.
- (4) Remove the back panel.
- (5) Remove the soundproof felt.
- (6) Remove the terminal cover on the compressor.
- (7) Disconnect lead wires from the compressor.
- (8) Recover gas from the refrigerant circuit.
- (9) Disconnect the welded part of the discharge pipe.
- (10) Disconnect the welded part of the suction pipe.
- (11) Remove nuts fixing the compressor.
- (12) Remove the compressor.

#### NOTE

- Before using a burner, reclaim gas from the pipes until the pressure gauge shows  $0 \text{ kg/cm}^2$  ( $0 \text{ MPa}$ ) .
- Use the burner under the condition that gas can be recovered even when the inner pressure rises by heat.

## PHOTOS

Photo 5

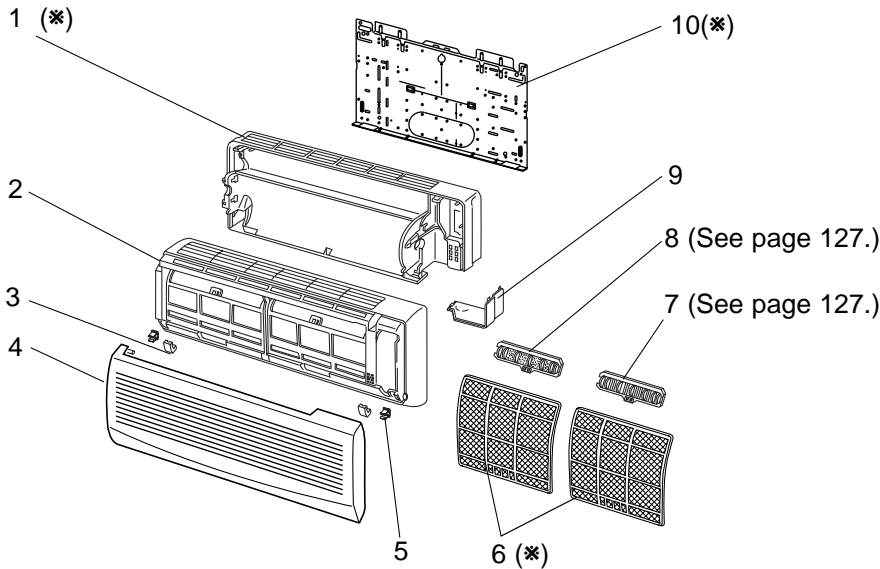


# 14

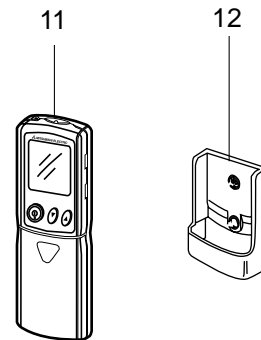
# PARTS LIST

MSC-A07WV -E1 (WH)  
 MSC-A09WV -E1 (WH)  
 MSC-A12WV -E1 (WH)

## 14-1. INDOOR UNIT STRUCTURAL PARTS



## 14-2. ACCESSORY AND REMOTE CONTROLLER



(\*) These figures show about MSC-A12WV.

## 14-1. INDOOR UNIT STRUCTURAL PARTS

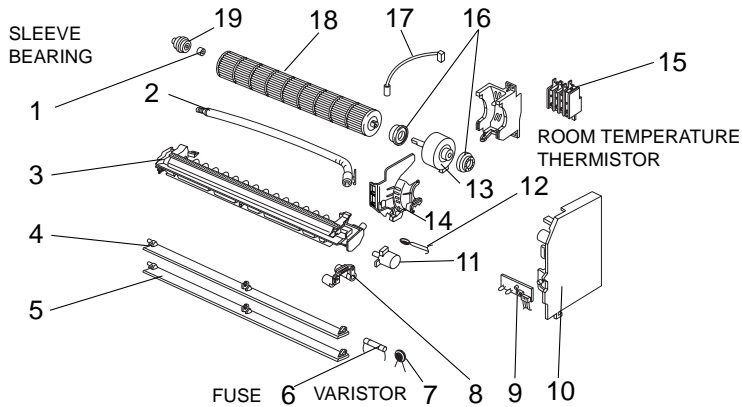
No.	Part No.	Part Name	Symbol in Wiring Diagram	Q'ty/unit			Remarks
				MSC-A07WV- E1 (WH)	MSC-A09WV- E1 (WH)	MSC-A12WV- E1 (WH)	
1	E02 749 234	BOX(WH)		1	1		
	E02 751 234	BOX(WH)				1	
2	E02 749 000	PANEL ASSEMBLY(WH)		1	1	1	Including No.3,4,5
3	E02 749 067	SCREW CAP(WH)		2	2	2	2PCS/SET
4	E02 749 010	FRONT PANEL(WH)		1	1	1	
5	E02 408 142	CATCH		2	2	2	2PCS/SET
6	E02 749 100	AIR FILTER		2	2		
	E02 751 100	AIR FILTER				2	
7		AIR CLEANING FILTER		1	1	1	MAC-1300FT
8		DEODORIZING FILTER		1	1	1	MAC-1800DF
9	E02 749 975	CORNER BOX (RIGHT)		1	1	1	
10	E02 408 970	INSTALLATION PLATE		1	1		
	E02 751 970	INSTALLATION PLATE				1	

## 14-2. ACCESSORY AND REMOTE CONTROLLER

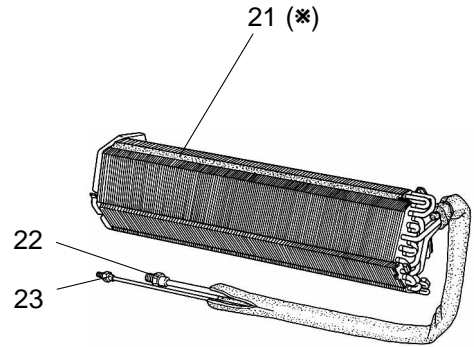
11	E02 749 426	REMOTE CONTROLLER		1	1	1	
12	E02 527 083	REMOTE CONTROLLER HOLDER		1	1	1	

**MSC-A07WV -E1 (WH) MSC-A09WV -E1 (WH) MSC-A12WV -E1 (WH)**

**14-3. INDOOR UNIT ELECTRICAL PARTS AND FUNCTIONAL PARTS**



**14-4. INDOOR UNIT HEAT EXCHANGER**



(\* )These figures show about MSC-A12WV.

**14-3. INDOOR UNIT ELECTRICAL PARTS AND FUNCTIONAL PARTS**

Part number that is circled is not shown in the illustration.

No.	Part No.	Part Name	Symbol in Wiring Diagram	Q'ty/unit			Remarks
				MSC-A07WV- E1 (WH)	MSC-A09WV- E1 (WH)	MSC-A12WV- E1 (WH)	
1	E02 001 504	SLEEVE BEARING		1	1	1	
2	E02 661 702	DRAIN HOSE		1	1	1	
3	E02 749 235	NOZZLE ASSEMBLY(WH)		1	1	1	
4	E02 749 040	VANE UPPER (WH)		1	1	1	
5	E02 749 041	VANE LOWER (WH)		1	1	1	
6	E02 127 382	FUSE	F11	1	1	1	3.15A
7	E02 749 385	VARISTOR	NR11, NR12	2	2	2	
8	E02 763 034	VANE CRANK SET		1	1	1	
9	E02 749 468	POWER MONITOR, RECEIVER P.C. BOARD		1	1	1	
10	E02 749 452	ELECTRONIC CONTROL P.C.BOARD		1			AUTO RESTART
	E02 750 452	ELECTRONIC CONTROL P.C.BOARD			1		AUTO RESTART
	E02 751 452	ELECTRONIC CONTROL P.C.BOARD				1	AUTO RESTART
11	E02 749 303	VANE MOTOR	MV	1	1	1	
12	E02 151 308	ROOM TEMPERATURE THERMISTOR	RT11	1	1	1	
13	E02 749 300	INDOOR FAN MOTOR	MF	1	1		RC4V19-□□
	E02 751 300	INDOOR FAN MOTOR	MF			1	RC4V19-□□
14	E02 749 333	MOTOR BAND		1	1	1	
15	E02 691 375	TERMINAL BLOCK	TB	1	1	1	
	E02 665 505	FAN MOTOR RUBBER MOUNT		2	2		2PCS/SET
16	E02 151 505	FAN MOTOR RUBBER MOUNT				2	2PCS/SET
	E02 749 307	INDOOR COIL THERMISTOR	RT12	1	1	1	
17	E02 749 302	LINE FLOW FAN		1	1	1	
18	E02 408 509	BEARING MOUNT		1	1		
	E02 751 509	BEARING MOUNT				1	
19	E02 408 381	THERMAL FUSE		1	1	1	

**14-4. INDOOR UNIT HEAT EXCHANGER**

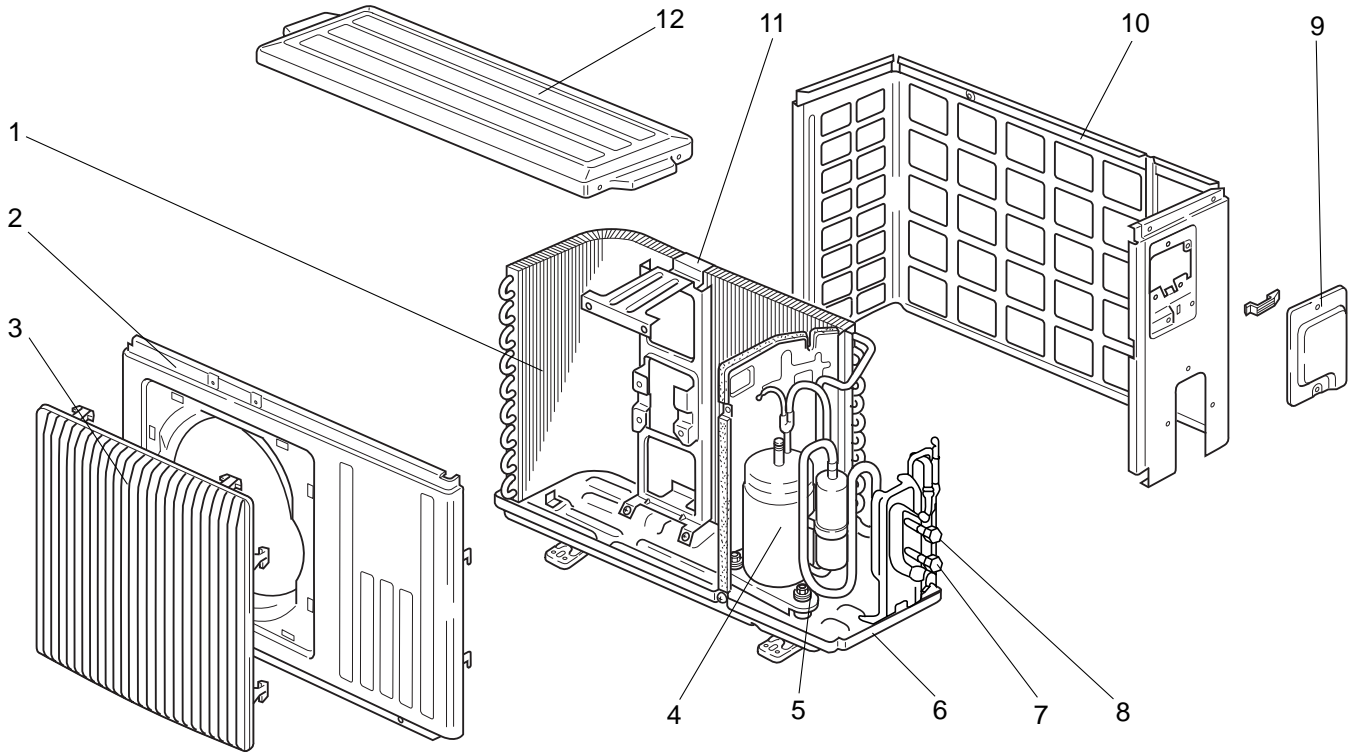
21	E02 749 620	INDOOR HEAT EXCHANGER		1	1		
	E02 751 620	INDOOR HEAT EXCHANGER				1	
22	E02 151 666	UNION(GAS)		1	1		φ9.52
	E02 155 666	UNION(GAS)				1	φ12.7
23	E02 151 667	UNION(LIQUID)		1	1	1	φ6.35

MU-A07WV -E1

MU-A09WV -E1

MU-A12WV -E1

### 14-5. OUTDOOR UNIT STRUCTURAL PARTS

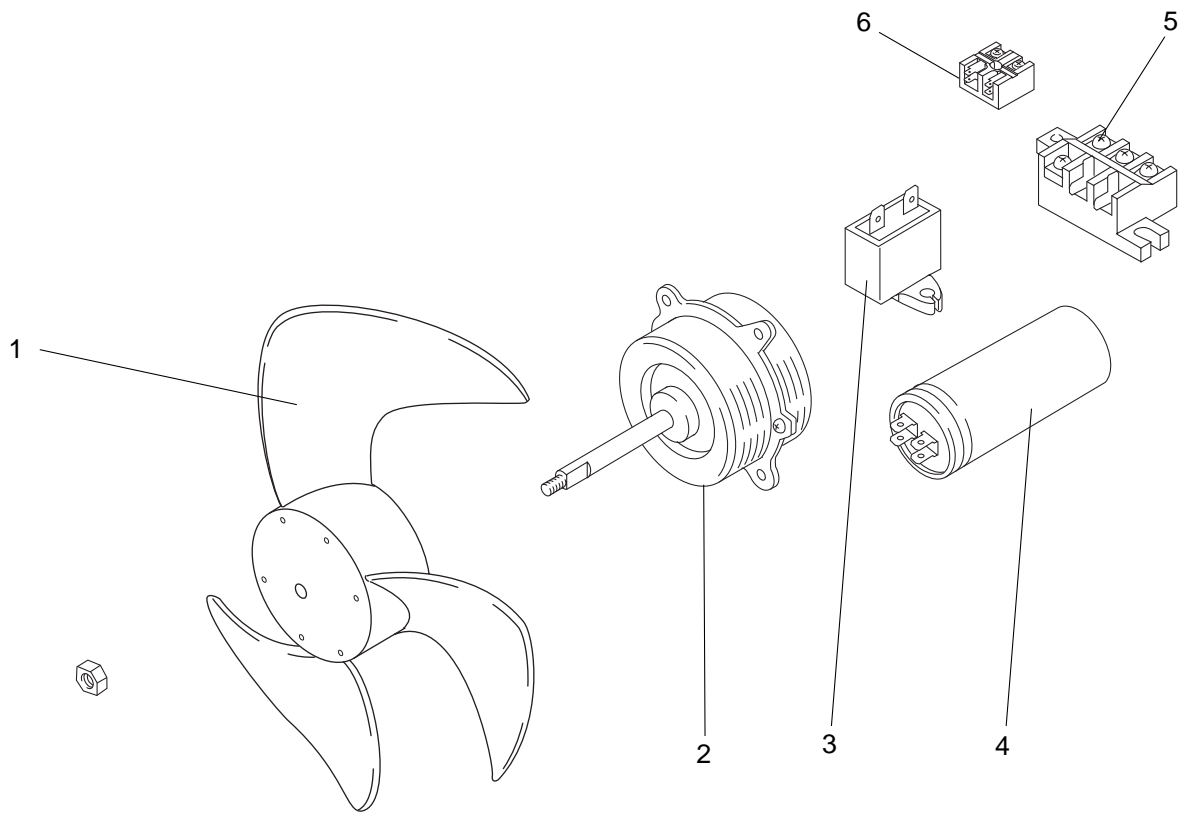


Part number that is circled is not shown in the illustration.

No.	Part No.	Part name	Symbol in Wiring Diagram	Q'ty/unit			Remarks
				MU-A07 WV- E1	MU-A09 WV- E1	MU-A12 WV- E1	
1	E02 336 630	OUTDOOR HEAT EXCHANGER		1	1	1	
2	E02 815 232	CABINET		1	1	1	NEW WHITE (Brigter)
3	E02 815 521	GRILLE(OUT)		1	1	1	NEW WHITE (Brigter)
4	E02 742 900	COMPRESSOR	MC	1			RN092VHSHT
	E02 743 900	COMPRESSOR	MC		1		RN099VHSHT
	E02 754 900	COMPRESSOR	MC			1	RN135VHSHT
5	E02 075 506	COMPRESSOR RUBBER SET		3	3	3	3RUBBERS/SET
6	E02 832 290	BASE		1	1	1	NEW WHITE (Brigter)
7	E02 742 661	STOP VALVE(GAS)		1	1		φ9.52
	E02 747 661	STOP VALVE(GAS)				1	φ12.7
8	E02 742 662	STOP VALVE(LIQUID)		1	1	1	φ6.35
9	E02 815 245	SERVICE PANEL		1	1	1	NEW WHITE (Brigter)
10	E02 815 233	BACK PANEL		1	1		NEW WHITE (Brigter)
	E02 835 233	BACK PANEL				1	NEW WHITE (Brigter)
11	E02 336 515	MOTOR SUPPORT		1	1	1	
12	E02 815 297	TOP PANEL		1	1	1	NEW WHITE (Brigter)
⑬	E02 156 936	CAPILLARY TUBE		1			φ3.0xφ1.4x500
	E02 408 936	CAPILLARY TUBE			1		φ3.0xφ1.4x700
	E02 441 936	CAPILLARY TUBE				1	φ3.0xφ1.4x550

MU-A07WV -[E1] MU-A09WV -[E1] MU-A12WV -[E1]

### 14-6. OUTDOOR UNIT ELECTRICAL PARTS AND FUNCTIONAL PARTS

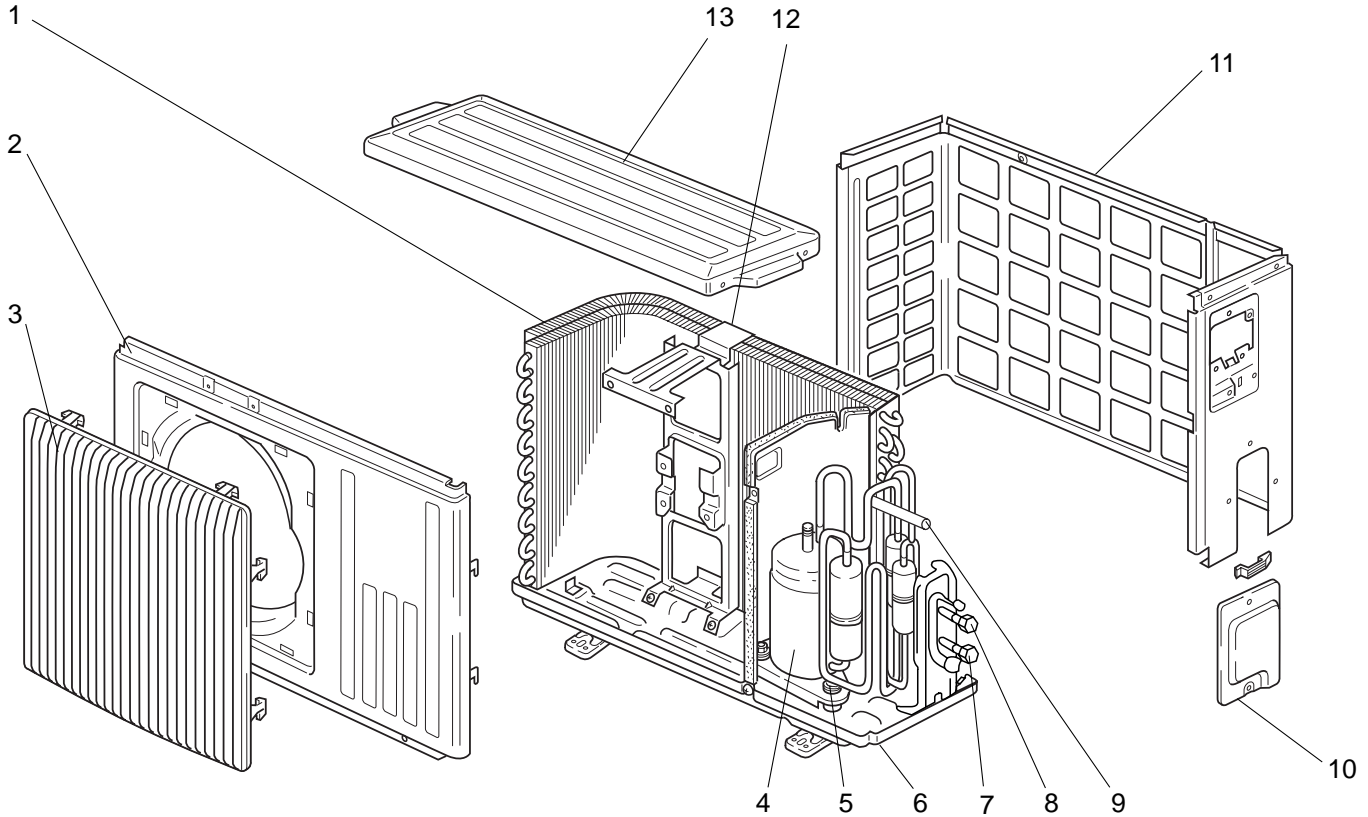


Part numbers that are circled are not shown in the illustration.

No.	Part No.	Part name	Symbol in Wiring Diagram	Q'ty/unit			Remarks
				MU-A07 WV-[E1]	MU-A09 WV-[E1]	MU-A12 WV-[E1]	
1	E02 665 501	PROPELLER		1	1	1	
2	E02 676 301	OUTDOOR FAN MOTOR	MF	1	1		RA6V23- □□
	E02 677 301	OUTDOOR FAN MOTOR	MF			1	RA6V33- □□
3	E02 661 351	OUTDOOR FAN CAPACITOR	C2	1	1		1.5 $\mu$ F /440V AC
	E02 664 351	OUTDOOR FAN CAPACITOR	C2			1	2.0 $\mu$ F /440V AC
4	E02 752 353	COMPRESSOR CAPACITOR	C1	1			20 $\mu$ F /440V AC
	E02 694 353	COMPRESSOR CAPACITOR	C1		1		25 $\mu$ F /440V AC
	E02 696 353	COMPRESSOR CAPACITOR	C1			1	30 $\mu$ F /440V AC
5	E02 466 375	TERMINAL BLOCK	TB1	1	1	1	3P
6	E02 438 374	TERMINAL BLOCK	TB2	1	1	1	2P
⑦	E02 466 340	COMPRESSOR CONTACTOR	52C	1	1	1	
⑧	E02 128 383	SURGE ABSORBER	DSAR	1	1	1	

MUH-A07WV -E1 MUH-A09WV -E1 MUH-A12WV -E1

14-7. OUTDOOR UNIT STRUCTURAL PARTS



Part numbers that are circled are not shown in the illustration.

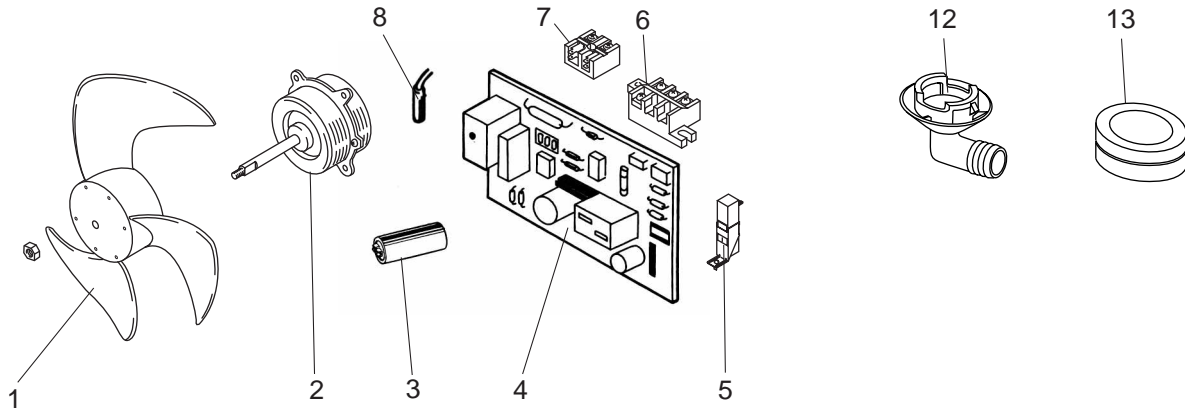
No.	Part No.	Part name	Symbol in Wiring Diagram	Q'ty/unit			Remarks
				MUH-A07 WV- E1	MUH-A09 WV- E1	MUH-A12 WV- E1	
1	E02 679 630	OUTDOOR HEAT EXCHANGER		1			
	E02 628 630	OUTDOOR HEAT EXCHANGER			1	1	
2	E02 815 232	CABINET		1	1	1	NEW WHITE (Brigter)
3	E02 815 521	GRILLE(OUT)		1	1	1	NEW WHITE (Brigter)
4	E02 742 900	COMPRESSOR	MC	1			RN092VHSHT
	E02 753 900	COMPRESSOR	MC		1		RN104VHSHT
	E02 754 900	COMPRESSOR	MC			1	RN135VHSHT
5	E02 075 506	COMPRESSOR RUBBER SET		3	3	3	3RUBBERS/SET
6	E02 832 290	BASE		1	1	1	NEW WHITE (Brigter)
7	E02 742 661	STOP VALVE(GAS)		1	1		φ9.52
	E02 747 661	STOP VALVE(GAS)				1	φ12.7
8	E02 745 662	STOP VALVE(LIQUID)		1	1	1	φ6.35
9	E02 745 961	4-WAY VALVE		1	1		
	E02 735 961	4-WAY VALVE				1	
10	E02 815 245	SERVICE PANEL		1	1	1	NEW WHITE (Brigter)
11	E02 836 233	BACK PANEL		1	1	1	NEW WHITE (Brigter)
12	E02 336 515	MOTOR SUPPORT		1			
	E02 442 515	MOTOR SUPPORT			1	1	
13	E02 815 297	TOP PANEL		1	1	1	NEW WHITE (Brigter)
⑭	E02 159 936	CAPILLARY TUBE		2			φ3.0xφ1.4x800
	E02 156 936	CAPILLARY TUBE			2	2	φ3.0xφ1.4x500
	E02 752 936	CAPILLARY TUBE		1			φ3.0xφ1.4x1050
	E02 013 936	CAPILLARY TUBE			1		φ3.0xφ1.4x1300
	E02 412 936	CAPILLARY TUBE			1		φ3.0xφ1.6x600
	E02 134 937	CAPILLARY TUBE				1	φ3.0xφ1.6x400
	E02 754 936	CAPILLARY TUBE				1	φ3.0xφ1.6x1350
	E02 176 936	CAPILLARY TUBE		1			φ3.0xφ1.6x350
⑮	E02 154 642	CHECK VALVE		1	1	1	



MUH-A07WV -E1 MUH-A09WV -E1 MUH-A12WV -E1

**14-8. OUTDOOR UNIT  
ELECTRICAL PARTS AND  
FUNCTIONAL PARTS**

**14-9. ACCESSORY**



**14-8. OUTDOOR UNIT ELECTRICAL PARTS AND FUNCTIONAL PARTS**

Part numbers that are circled are not shown in the illustration.

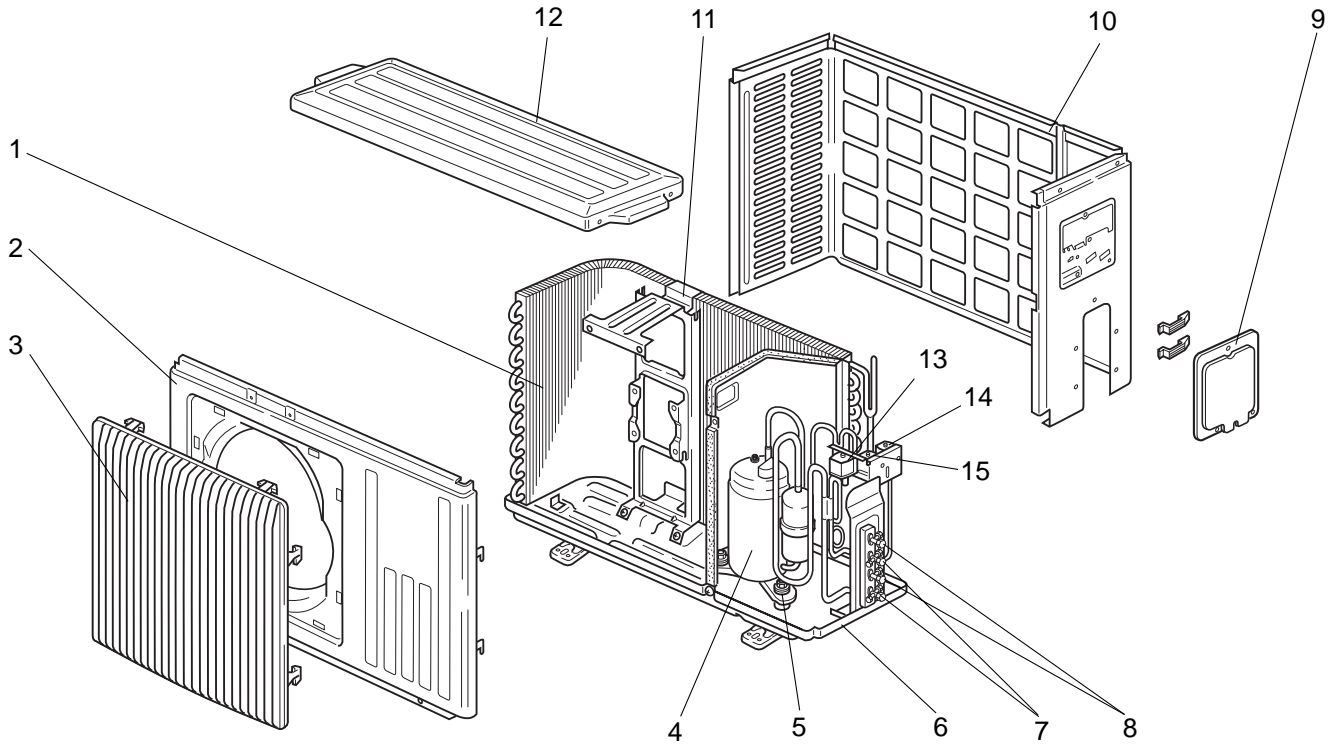
No.	Part No.	Part name	Symbol in Wiring Diagram	Q'ty/unit			Remarks
				MUH-A07 WV- E1	MUH-A09 WV- E1	MUH-A12 WV- E1	
1	E02 665 501	PROPELLER		1	1	1	
2	E02 671 301	OUTDOOR FAN MOTOR	MF	1			RA6V23-□□
	E02 672 301	OUTDOOR FAN MOTOR	MF		1	1	RA6V33-□□
3	E02 752 353	COMPRESSOR CAPACITOR	C1	1			20 $\mu$ F /440V AC
	E02 694 353	COMPRESSOR CAPACITOR	C1		1		25 $\mu$ F /440V AC
	E02 696 353	COMPRESSOR CAPACITOR	C1			1	30 $\mu$ F /440V AC
4	E02 752 451	DEICER P.C. BOARD		1			
	E02 754 451	DEICER P.C. BOARD			1	1	
5	E02 128 383	SURGE ABSORBER	DSAR	1	1	1	
6	E02 466 375	TERMINAL BLOCK	TB1	1	1	1	3P
7	E02 697 374	TERMINAL BLOCK	TB2	1	1	1	2P
8	E02 699 310	DEFROST THERMISTOR	RT61	1	1	1	
⑨	E02 440 490	R. V. COIL	21S4	1	1	1	
⑩	E02 095 382	FUSE	F61	1	1	1	250V/ 2A
⑪	E02 085 385	VARISTOR	NR61	1	1	1	

**14-9. ACCESSORY**

12	E02 817 704	DRAIN SOCKET		1	1	1	
13	E02 440 705	DRAIN CAP		2	2	2	2PCS/SET

**MUX-A10WV -E1**

**14-10. OUTDOOR UNIT STRUCTURAL PARTS**

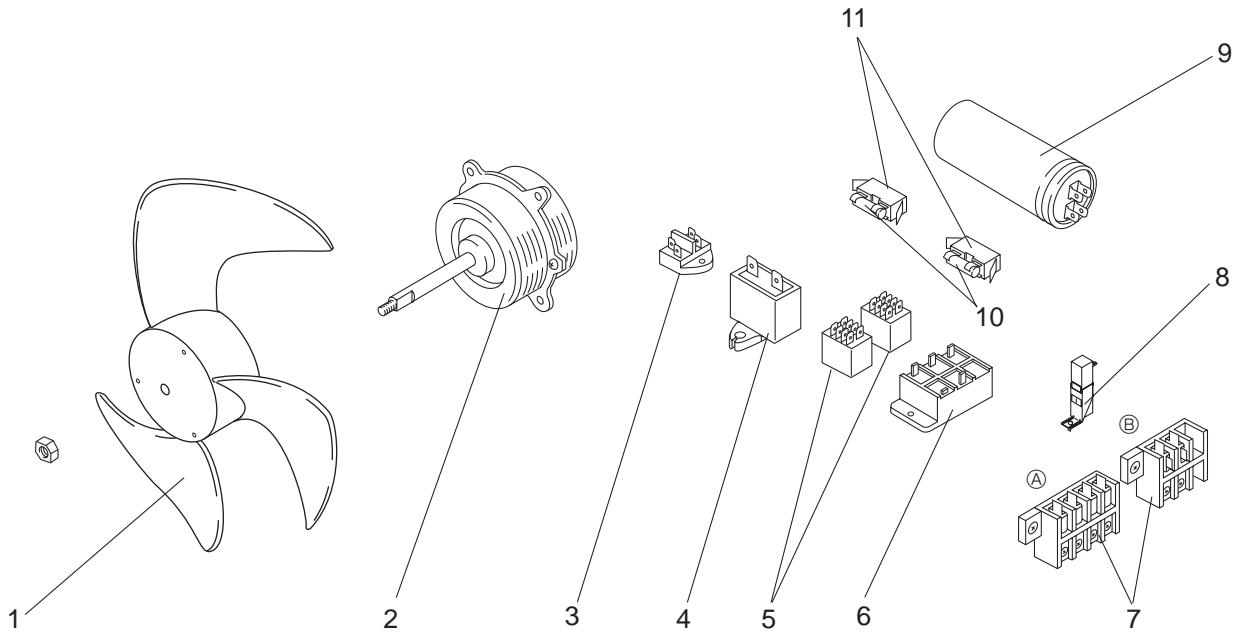


Part numbers that are circled are not shown in the illustration.

No.	Part No.	Part name	Symbol in Wiring Diagram	Q'ty/unit	Remarks
				MUX-A10WV- E1	
1	E02 755 630	OUTDOOR HEAT EXCHANGER		1	
2	E02 815 232	CABINET		1	NEW WHITE (Brigter)
3	E02 815 521	GRILLE(OUT)		1	NEW WHITE (Brigter)
4	E02 742 900	COMPRESSOR	MC	1	RN092VHSHT
5	E02 075 506	COMPRESSOR RUBBER SET		3	3RUBBERS/SET
6	E02 837 290	BASE		1	NEW WHITE (Brigter)
7	E02 755 661	STOP VALVE(GAS)		2	φ9.52
8	E02 755 662	STOP VALVE(LIQUID)		2	φ6.35
9	E02 837 245	SERVICE PANEL		1	NEW WHITE (Brigter)
10	E02 837 233	BACK PANEL		1	NEW WHITE (Brigter)
11	E02 336 515	MOTOR SUPPORT		1	
12	E02 815 297	TOP PANEL		1	NEW WHITE (Brigter)
13	E02 750 490	SOLENOID COIL	21R	1	
14	E02 751 490	SOLENOID COIL(A)	21R1	1	
15	E02 755 490	SOLENOID COIL(B)	21R2	1	
16	E02 755 492	SOLENOID VALVE(21R1,21R2)		2	
17	E02 759 492	SOLENOID VALVE(21R)		1	
18	E02 024 936	CAPILLARY TUBE		1	φ3.0xφ1.4x1000
	E02 289 936	CAPILLARY TUBE		1	(A, B room) φ3.0xφ1.6x900
	E02 642 936	CAPILLARY TUBE		2	(A, B room) φ3.0xφ1.4x400

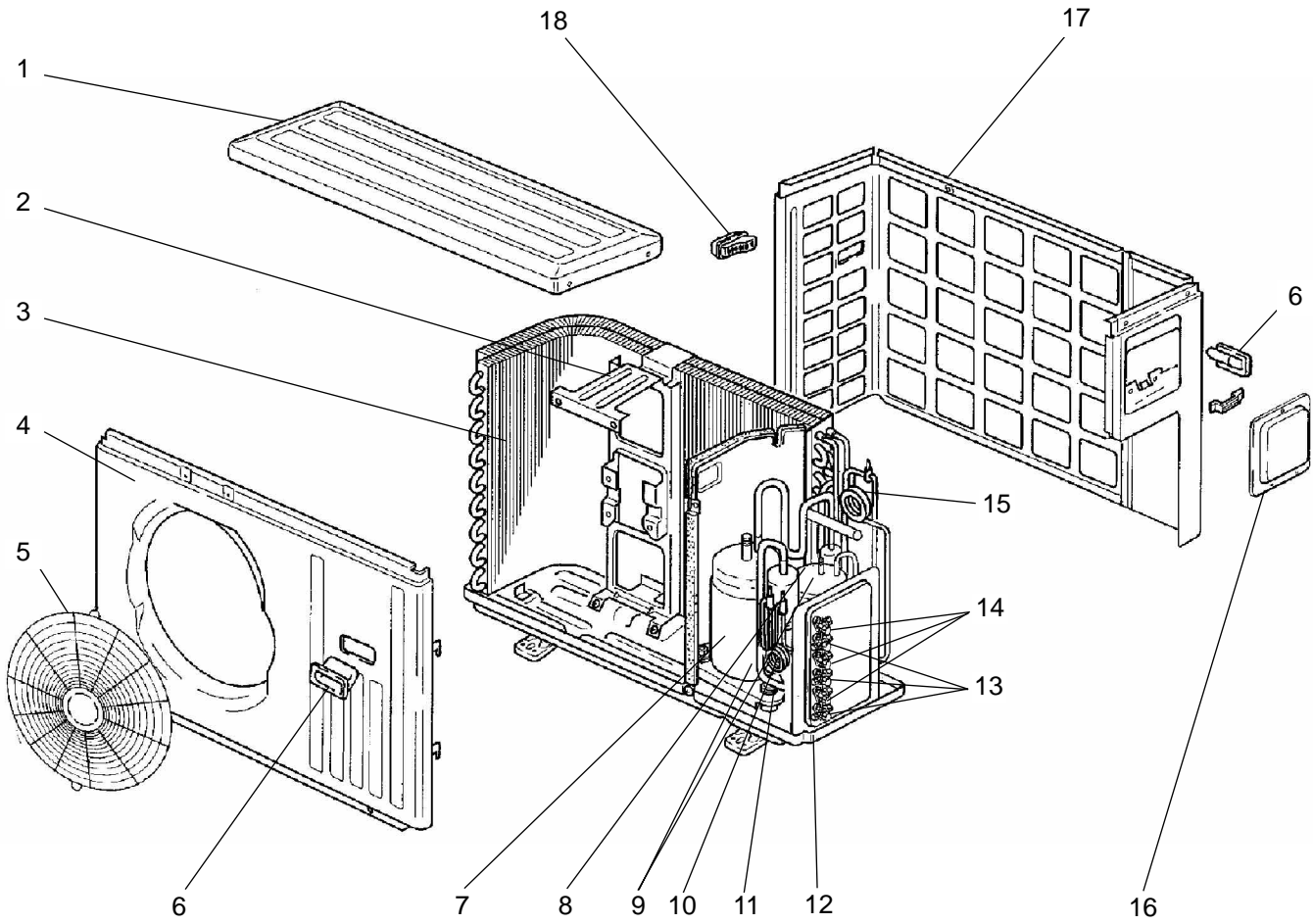
**MUX-A10WV -E1**

**14-11. OUTDOOR UNIT ELECTRICAL PARTS AND FUNCTIONAL PARTS**



No.	Part No.	Part name	Symbol in Wiring Diagram	Q'ty/unit	Remarks
				MUX-A10WV- E1	
1	E02 665 501	PROPELLER		1	
2	E02 677 301	OUTDOOR FAN MOTOR	MF	1	RA6V33- □□
3	E07 056 374	TERMINAL BLOCK	TB3	1	
4	E02 664 351	OUTDOOR FAN CAPACITOR	C2	1	2.0 $\mu$ F /440V AC
5	E02 755 341	RELAY	X1,X2	2	
6	E02 755 340	COMPRESSOR CONTACTOR	52C	1	
7	E02 637 374	TERMINAL BLOCK	TB2	1	4P FIGURE (A)
	E02 755 374	TERMINAL BLOCK	TB1	1	3P FIGURE (B)
8	E02 128 383	SURGE ABSORBER	DSAR	1	
9	E02 742 353	COMPRESSOR CAPACITOR	C1	1	20 $\mu$ F /450V AC
10	E02 095 382	FUSE	F61,F62	2	250V/ 2A
11	E07 001 241	FUSE HOLDER		2	

**MUX-A19WV -E1 MUX-A20WV -E1 MUX-A25WV -E1 MUX-A26WV -E1**  
**14-12. OUTDOOR UNIT STRUCTURAL PARTS**



These figures show MUX-A20WV.

## 14-12. OUTDOOR UNIT STRUCTURAL PARTS

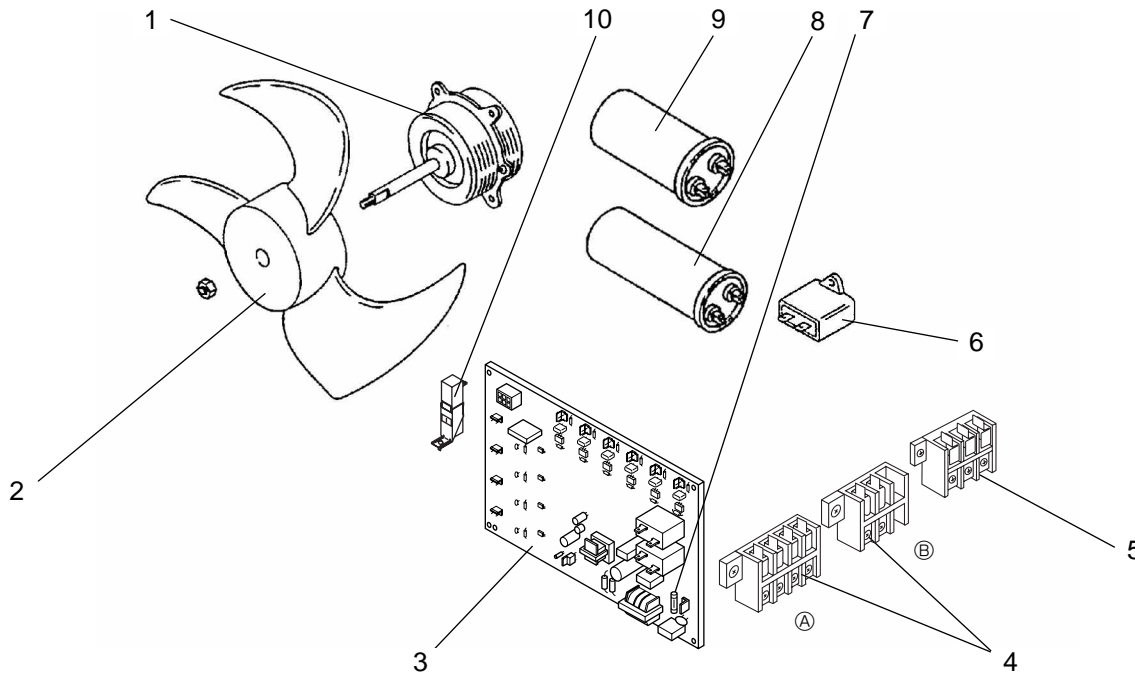
Part numbers that are circled are not shown in the illustration.

No.	Part No.	Part Name	Symbol in Wiring Diagram	Q'ty / unit				Remarks
				MUX-A19 WV-E1	MUX-A20 WV-E1	MUX-A25 WV-E1	MUX-A26 WV-E1	
1	E02 819 297	TOP PANEL		1	1	1	1	NEW WHITE (Brigter)
2	E02 636 515	MOTOR SUPPORT		1	1	1		
	E02 726 515	MOTOR SUPPORT					1	
3	E02 805 630	OUTDOOR HEAT EXCHANGER		1				
	E02 756 630	OUTDOOR HEAT EXCHANGER			1	1		
	E02 759 630	OUTDOOR HEAT EXCHANGER					1	
4	E02 737 232	CABINET		1	1	1		NEW WHITE (Brigter)
	E02 819 232	CABINET					1	NEW WHITE (Brigter)
5	E02 819 521	FAN GUARD		1	1	1	1	NEW WHITE (Brigter)
6	E02 819 009	HANDLE		2	2	2	2	NEW WHITE (Brigter)
7	E02 742 900	COMPRESSOR	MC1	1				RN092VHSHT
	E02 743 900	COMPRESSOR	MC1		1			RN099VHSHT
8	E02 744 900	COMPRESSOR	MC1,MC2	1		2	1	RN145VHSHT
9	E02 746 900	COMPRESSOR	MC1,MC2		1		1	RN125VHSHT
10	E02 756 936	CAPILLARY TUBE		1				(B room) φ3.0×φ1.4×1100
	E02 199 936	CAPILLARY TUBE		1				(A room) φ3.0×φ1.4×850
	E02 757 936	CAPILLARY TUBE			1			(A room) φ3.0×φ1.4×950
	E02 289 936	CAPILLARY TUBE			3			(B, C room) φ3.0×φ1.6×900
	E02 408 936	CAPILLARY TUBE				2		(A, B room) φ3.0×φ1.4×700
	E02 140 936	CAPILLARY TUBE					1	(C, D room) φ3.0×φ1.8×800
	E02 176 937	CAPILLARY TUBE					1	(A, B room) φ3.0×φ2.0×700
	E02 077 937	CAPILLARY TUBE					2	(A, B room) φ3.0×φ1.8×700
E02 726 936	CAPILLARY TUBE					2	(C, D room) φ3.0×φ1.6×600	
11	E02 075 506	COMPRESSOR RUBBER SET		6	6	6	6	3RUBBERS/SET
12	E02 756 290	BASE		1	1	1	1	NEW WHITE (Brigter)
13	E02 756 661	STOP VALVE (GAS)		1		2	2	φ12.7
	E02 757 661	STOP VALVE (GAS)		1	3		2	φ9.52
14	E02 756 662	STOP VALVE (LIQ)		2	3	2	4	φ6.35
15	E02 024 936	CAPILLARY TUBE			1		2	φ3.0×φ1.4×1000
16	E02 756 245	SERVICE PANEL		1	1	1		NEW WHITE (Brigter)
	E02 759 245	SERVICE PANEL					1	NEW WHITE (Brigter)
17	E02 757 233	BACK PANEL (OUT)		1	1	1		NEW WHITE (Brigter)
	E02 759 233	BACK PANEL (OUT)					1	NEW WHITE (Brigter)
18	E02 817 009	HANDLE		1	1	1	1	NEW WHITE (Brigter)
19	E02 637 490	SOLENOID COIL	21RB		1			
20	E02 652 490	SOLENOID COIL (B)	21R3		1			
21	E02 652 491	SOLENOID COIL (C)	21R4		1			
22	E02 726 490	SOLENOID COIL (BALANCE)	21RA				1	
23	E02 728 490	SOLENOID COIL (BALANCE)	21RB				1	
24	E02 729 490	SOLENOID COIL (A)	21R1				1	
25	E02 730 490	SOLENOID COIL (B)	21R2				1	
26	E02 726 491	SOLENOID COIL (C)	21R3				1	
27	E02 727 491	SOLENOID COIL (D)	21R4				1	
28	E02 755 492	SOLENOID VALVE			2		4	
29	E02 759 492	SOLENOID VALVE			1		2	

MUX-A19WV -[E1] MUX-A20WV -[E1] MUX-A25WV -[E1] MUX-A26WV -[E1]

14-13. OUTDOOR UNIT

FUNCTIONAL PARTS AND ELECTRICAL PARTS



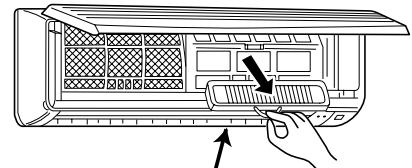
Part numbers that are circled are not shown in the illustration.

No.	Part No.	Part Name	Symbol in Wiring Diagram	Q'ty / unit				Remarks
				MUX-A19 WV-[E1]	MUX-A20 WV-[E1]	MUX-A25 WV-[E1]	MUX-A26 WV-[E1]	
1	E02 756 301	OUTDOOR FAN MOTOR	MF61	1	1	1		RA6V60-□□
	E02 726 301	OUTDOOR FAN MOTOR	MF61				1	RA6V60-□□
2	E02 214 501	PROPELLER		1	1	1	1	
3	E02 756 444	OUTDOOR CONTROL P.C. BOARD		1				
	E02 757 444	OUTDOOR CONTROL P.C. BOARD			1			
	E02 758 444	OUTDOOR CONTROL P.C. BOARD				1		
	E02 759 444	OUTDOOR CONTROL P.C. BOARD					1	
4	E02 637 374	TERMINAL BLOCK	TB2 TB2,TB3	1	1	1		4P FIGURE (A)
	E02 637 377	TERMINAL BLOCK	TB3		1		2	3P FIGURE (B)
5	E02 756 374	TERMINAL BLOCK	TB1	1	1	1	1	3P
6	E02 138 351	OUTDOOR FAN CAPACITOR	C61	1	1			3.0μF/440V AC
	E02 064 351	OUTDOOR FAN CAPACITOR	C61			1	1	4.0μF/440V AC
7	E02 127 382	FUSE	F61	1	1	1	1	250V/3.15A
8	E02 742 353	COMPRESSOR CAPACITOR	C2	1				20μF/450V AC
	E02 665 353	COMPRESSOR CAPACITOR	C2 C1,C2		2		1	25μF/450V AC
9	E02 667 353	COMPRESSOR CAPACITOR	C1 C1,C2	1			1	30μF/450V AC
						2		
10	E02 128 383	SURGE ABSORBER	DSAR	1	1	1	1	
(11)	E07 056 374	TERMINAL BLOCK	TB4	1	1	1	1	
(12)	E02 085 385	SURGE ABSORBER	NR61	1	1	1	1	

## 14-14. AIR CLEANING FILTER

- AIR CLEANING FILTER removes fine dust of 0.01 micron from air by means of static electricity.
- Normal life of AIR CLEANING FILTER is 4 months. However, when it becomes dirty, replace it as soon as possible.
- Clogged AIR CLEANING FILTER may reduce the air conditioner capacity or cause frost on the air outlet.
- DO NOT reuse AIR CLEANING FILTER even if it is washed.
- DO NOT remove or attach AIR CLEANING FILTER during unit operation.

Model	Part No.
MSC-A07WV- <span style="border: 1px solid black; padding: 0 2px;">E1</span>	MAC-1300FT
MSC-A09WV- <span style="border: 1px solid black; padding: 0 2px;">E1</span>	
MSC-A12WV- <span style="border: 1px solid black; padding: 0 2px;">E1</span>	

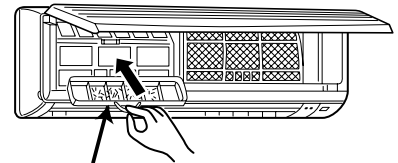


Air cleaning filter (White bellow type)

## 14-15. DEODORIZING FILTER

- DEODORIZING FILTER removes ammonia, hydrogen sulphide emitted from tobacco, and odor of pets.
- Clean DEODORIZING FILTER every two weeks. If the filter is particularly dirty, clean the filter more often.
- For cleaning, soak the filter in warm water for a while, and then wash and rinse it. Dry the filter in the shade thoroughly.
- When the filter color is still dark even after cleaning, replace the filter with a new one.  
Replace the filter at least once a year.

Model	Part No.
MSC-A07WV- <span style="border: 1px solid black; padding: 0 2px;">E1</span>	MAC-1800DF
MSC-A09WV- <span style="border: 1px solid black; padding: 0 2px;">E1</span>	
MSC-A12WV- <span style="border: 1px solid black; padding: 0 2px;">E1</span>	



Deodorizing filter (Gray sponge type)

- DEODORIZING FILTER and AIR CLEANING FILTER can be attached on either side.



HEAD OFFICE: MITSUBISHI DENKI BLDG.,2-2-3, MARUNOUCHI, CHIYODA-KU, TOKYO100-8310, JAPAN

© Copyright 2002 MITSUBISHI ELECTRIC ENGINEERING CO.,LTD  
Distributed in May 2004. No.OB307 REVISED EDITION-C 6  
Distributed in Jan. 2004. No.OB307 REVISED EDITION-B 6  
Distributed in Feb. 2003. No.OB307 REVISED EDITION-A 17  
Distributed in Dec. 2002. No.OB307 17  
Made in Japan

New publication, effective May 2004  
Specifications subject to change without notice.