

Revision A:

- RoHS PARTS LIST has been added.

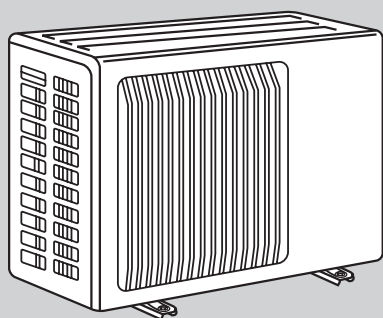
Please void OB383.

OUTDOOR UNIT SERVICE MANUAL


**No. OB383
REVISED EDITION-A**
**Wireless type
Models**
MUCF-GA35VB ■ E1

MUCF-GA50VB ■ E1

MUCF-GA60VB ■ E1

**Indoor unit service manual
MCF-GA•VB Series (OB382)**


MUCF-GA50VB

CONTENTS

1. TECHNICAL CHANGES	2
2. PART NAMES AND FUNCTIONS	5
3. SPECIFICATION	5
4. NOISE CRITERIA CURVES	6
5. OUTLINES AND DIMENSIONS	7
6. WIRING DIAGRAM	8
7. REFRIGERANT SYSTEM DIAGRAM	10
8. PERFORMANCE CURVES	13
9. TROUBLESHOOTING	22
10. DISASSEMBLY INSTRUCTIONS	24
11. PARTS LIST	31
12. RoHS PARTS LIST	34

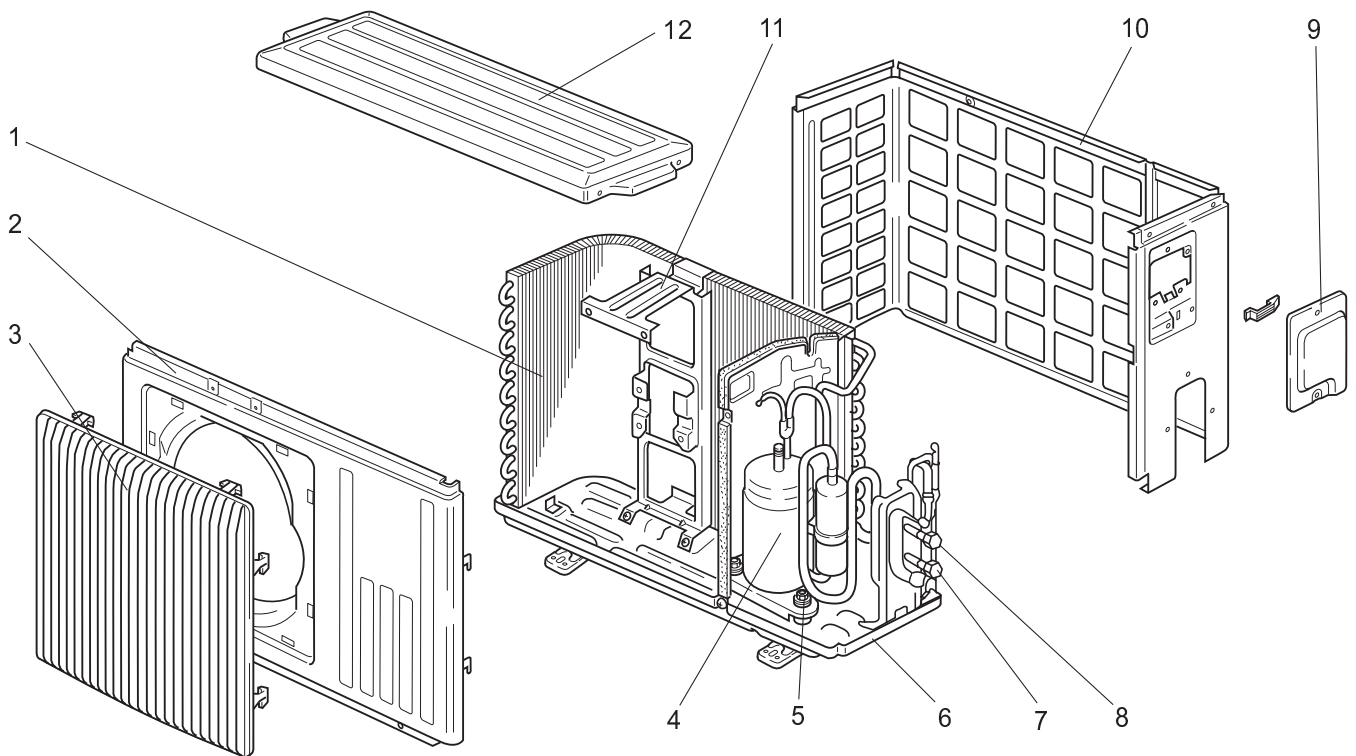
NOTE:

This service manual describes technical data of the outdoor units.
 RoHS compliant products have <G> mark on the spec name plate.
 For servicing of RoHS compliant products, refer to the RoHS PARTS LIST (RoHS compliant).



MUCF-GA35VB

11-1. OUTDOOR UNIT STRUCTURAL PARTS



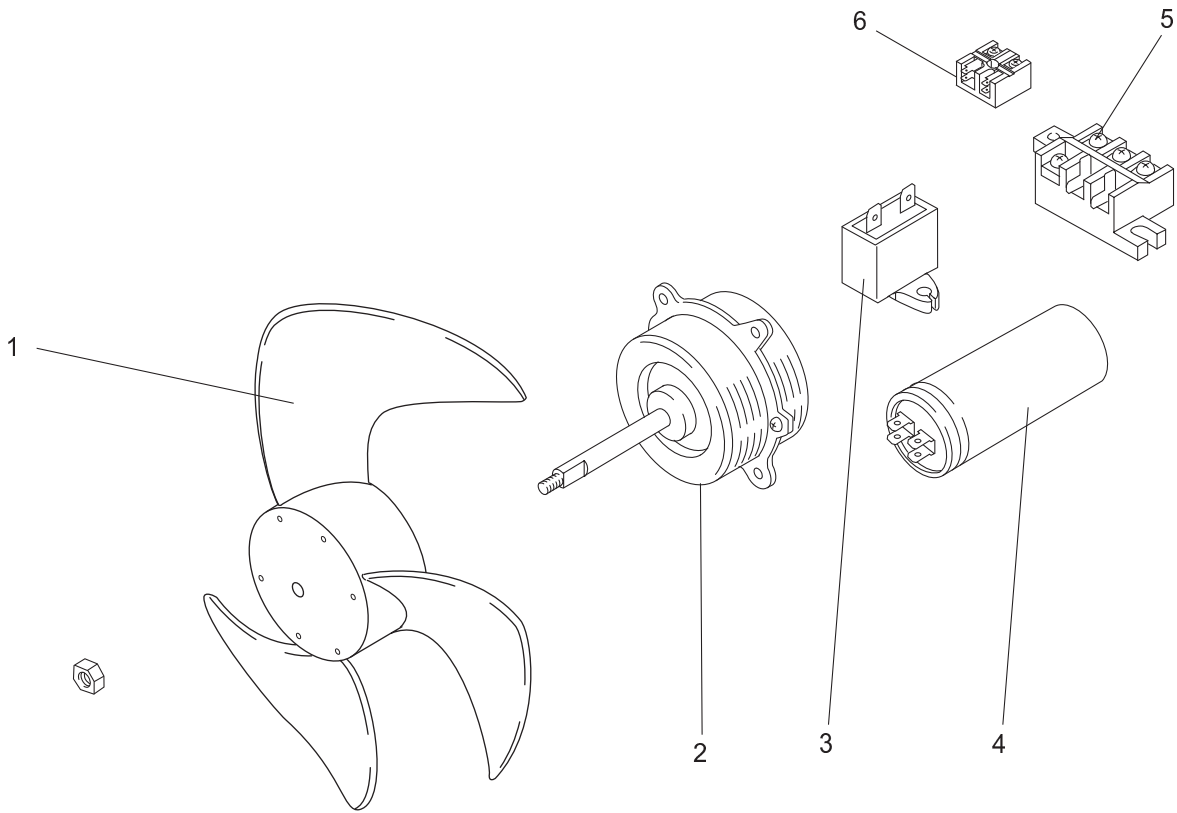
Part number that is circled is not shown in the illustration.

No.	Part No.	Part name	Symbol in Wiring Diagram	Q'ty/unit	Remarks
				MUCF-GA35VB- E1	
1	E02 832 630	OUTDOOR HEAT EXCHANGER		1	
2	E02 815 232	CABINET		1	
3	E02 815 521	GRILLE(OUT)		1	
4	E02 754 900	COMPRESSOR	MC	1	RN135VHSHT
5	E02 075 506	COMPRESSOR RUBBER SET		3	3RUBBERS/SET
6	E02 832 290	BASE		1	
7	E02 910 661	STOP VALVE(GAS)		1	φ12.7
8	E02 910 662	STOP VALVE(LIQUID)		1	φ6.35
9	E02 815 245	SERVICE PANEL		1	
10	E02 835 233	BACK PANEL		1	
11	E02 336 515	MOTOR SUPPORT		1	
12	E02 815 297	TOP PANEL		1	
13	E02 441 936	CAPILLARY TUBE		1	φ3.0xφ1.4x550

PARTS LIST (non-RoHS compliant)

MUCF-GA35VB

11-2. OUTDOOR UNIT ELECTRICAL PARTS AND FUNCTIONAL PARTS



Part numbers that are circled are not shown in the illustration.

No.	Part No.	Part name	Symbol in Wiring Diagram	Q'ty/unit	Remarks
				MUCF-GA35VB- E1	
1	E02 665 501	PROPELLER		1	
2	E02 677 301	OUTDOOR FAN MOTOR	MF	1	RA6V33-□□
3	E02 900 351	OUTDOOR FAN CAPACITOR	C2	1	2.0 μ F /440V AC
4	E02 696 353	COMPRESSOR CAPACITOR	C1	1	30 μ F /440V AC
5	E02 817 374	TERMINAL BLOCK	TB1	1	3P
6	E02 832 374	TERMINAL BLOCK	TB2	1	2P
7	E02 466 340	COMPRESSOR CONTACTOR	52C	1	
8	E02 890 383	SURGE ABSORBER	DSAR	1	

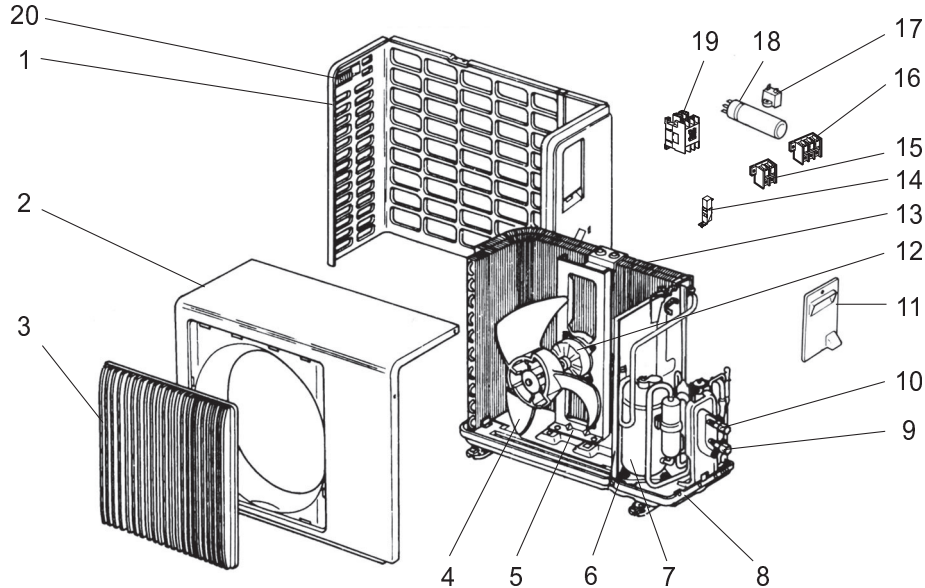
PARTS LIST (non-RoHS compliant)

MUCF-GA50VB

MUCF-GA60VB

11-3. OUTDOOR UNIT

STRUCTURAL PARTS, ELECTRICAL PARTS AND FUNCTIONAL PARTS

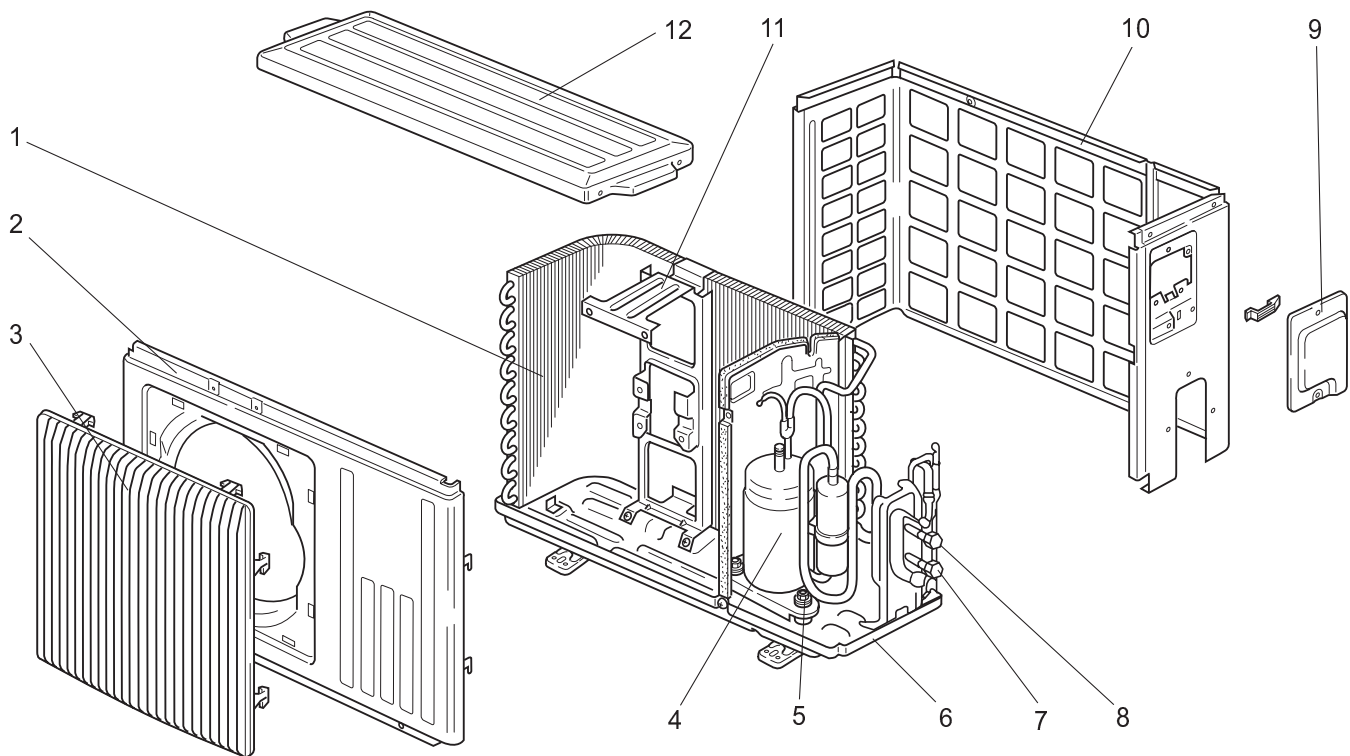


Part numbers that are circled are not shown in the illustration.

No.	Part No.	Part Name	Symbol in Wiring Diagram	Q'ty/unit		Remarks
				MUCF-GA50VB _{E1}	MUCF-GA60VB _{E1}	
1	E02 817 233	BACK PANEL(OUT)		1	1	
2	E02 817 232	CABINET		1	1	
3	E02 817 521	GRILLE(OUT)		1	1	
4	E02 141 501	PROPELLER		1	1	
5	E02 139 515	MOTOR SUPPORT		1	1	
6	E02 075 506	COMPRESSOR RUBBER SET		3		3RUBBERS/SET
	E02 527 506	COMPRESSOR RUBBER SET			4	4RUBBERS/SET
7	E02 817 900	COMPRESSOR	MC	1		RN196VHSHT
	E02 821 900	COMPRESSOR	MC		1	NN29VBAHT
8	E02 817 290	BASE		1		
	E02 818 290	BASE			1	
9	E02 817 661	STOP VALVE(GAS)		1		φ12.7
	E02 818 661	STOP VALVE(GAS)			1	φ15.88
10	E02 817 662	STOP VALVE(LIQUID)		1	1	φ 6.35
11	E02 817 245	SERVICE PANEL		1	1	
12	E02 816 301	OUTDOOR FAN MOTOR	MF	1		RA6V50 - □□
	E02 818 301	OUTDOOR FAN MOTOR	MF		1	RA6V60 - □□
13	E02 817 630	OUTDOOR HEAT EXCHANGER		1		
	E02 818 630	OUTDOOR HEAT EXCHANGER			1	
14	E02 895 383	SURGE ABSORBER	DSAR	1	1	
15	E02 818 374	TERMINAL BLOCK	TB2	1	1	2P
16	E02 817 374	TERMINAL BLOCK	TB1	1	1	3P
17	E02 895 351	OUTDOOR FAN CAPACITOR	C2	1	1	3.0μF/440V AC
18	E02 888 353	COMPRESSOR CAPACITOR	C1	1		40μF/440V AC
	E02 889 353	COMPRESSOR CAPACITOR	C1		1	55μF/440V AC
19	E07 012 340	COMPRESSOR CONTACTOR	52C		1	
20	E02 817 009	HANDLE		1	1	
②1	E02 746 937	CAPILLARY TUBE		1		φ3.0×φ1.6×650
	E02 825 936	CAPILLARY TUBE			1	φ3.0×φ2.0×1000
	E02 820 936	CAPILLARY TUBE		1		φ2.5×φ0.6×1000
②2	E02 466 340	COMPRESSOR CONTACTOR	52C	1		
②3	E02 466 340	RELAY	X1		1	

MUCF-GA35VB

12-1. OUTDOOR UNIT STRUCTURAL PARTS



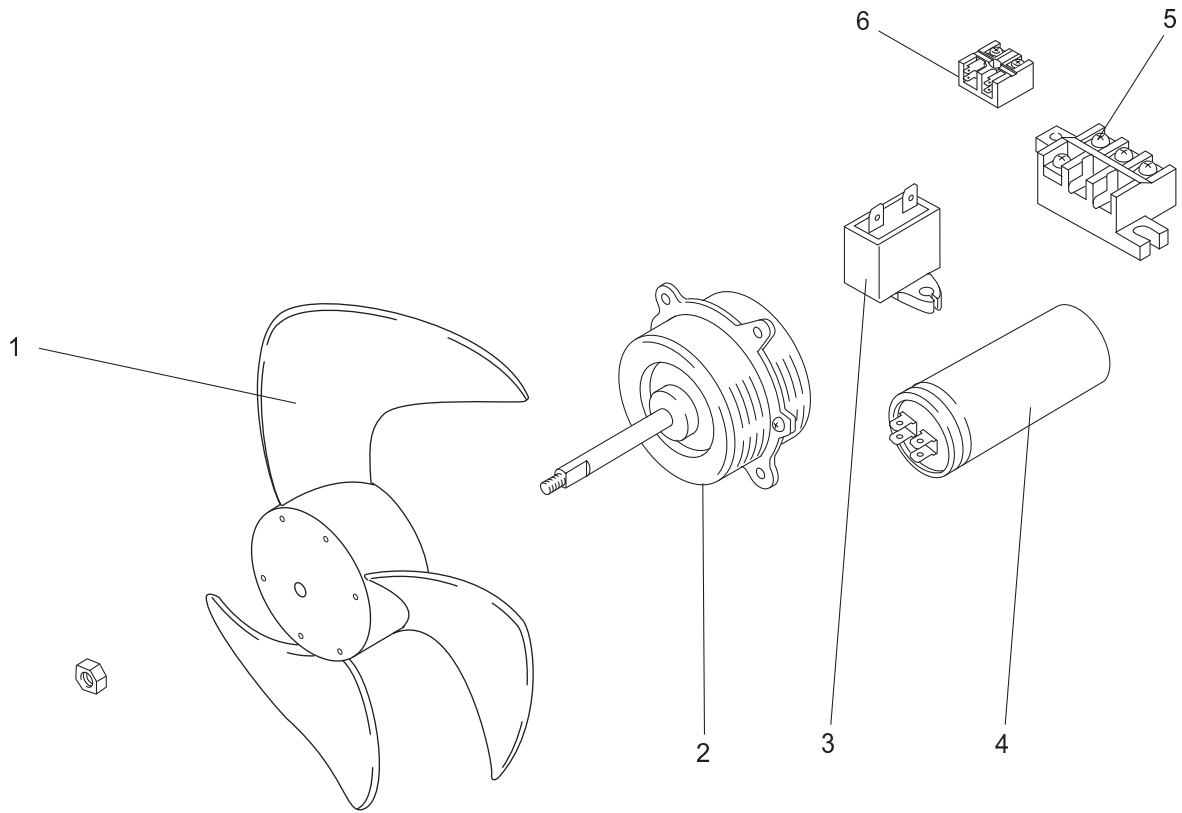
Part number that is circled is not shown in the illustration.

No.	RoHS	Part No.	Part name	Symbol in Wiring Diagram	Q'ty/unit		Remarks
					MUCF-GA35VB-	E1	
1	G	E12 832 630	OUTDOOR HEAT EXCHANGER			1	
2	G	E12 815 232	CABINET			1	
3	G	E12 815 521	GRILLE(OUT)			1	
4	G	E12 754 900	COMPRESSOR	MC		1	RN135VHSHT
5	G	E12 075 506	COMPRESSOR RUBBER SET			3	3RUBBERS/SET
6	G	E12 832 290	BASE			1	
7	G	E12 910 661	STOP VALVE(GAS)			1	φ12.7
8	G	E12 910 662	STOP VALVE(LIQUID)			1	φ6.35
9	G	E12 815 245	SERVICE PANEL			1	
10	G	E12 835 233	BACK PANEL			1	
11	G	E12 336 515	MOTOR SUPPORT			1	
12	G	E12 815 297	TOP PANEL			1	
13	G	E12 441 936	CAPILLARY TUBE			1	φ3.0xφ1.4x550

RoHS PARTS LIST (RoHS compliant)

MUCF-GA35VB

12-2. OUTDOOR UNIT ELECTRICAL PARTS AND FUNCTIONAL PARTS



Part numbers that are circled are not shown in the illustration.

No.	RoHS	Part No.	Part name	Symbol in Wiring Diagram	Q'ty/unit		Remarks
					MUCF-GA35VB-	E1	
1	G	E12 665 501	PROPELLER			1	
2	G	E12 677 301	OUTDOOR FAN MOTOR	MF		1	RA6V33-□□
3	G	E12 900 351	OUTDOOR FAN CAPACITOR	C2		1	2.0 μ F /440V AC
4	G	E12 900 353	COMPRESSOR CAPACITOR	C1		1	30 μ F /440V AC
5	G	E12 817 374	TERMINAL BLOCK	TB1		1	3P
6	G	E12 832 374	TERMINAL BLOCK	TB2		1	2P
⑦	G	E12 466 340	COMPRESSOR CONTACTOR	52C		1	
⑧	G	E12 890 383	SURGE ABSORBER	DSAR		1	

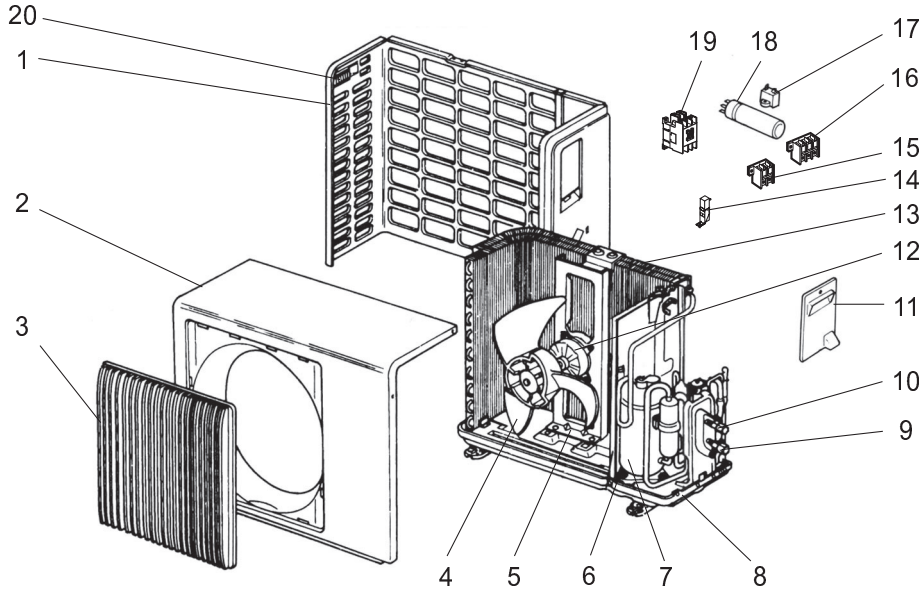
RoHS PARTS LIST (RoHS compliant)

MUCF-GA50VB

MUCF-GA60VB

12-3. OUTDOOR UNIT

STRUCTURAL PARTS, ELECTRICAL PARTS AND FUNCTIONAL PARTS



Part numbers that are circled are not shown in the illustration.

No.	RoHS	Part No.	Part Name	Symbol in Wiring Diagram	Q'ty/unit		Remarks
					MUCF-GA50VB- <u>E1</u>	MUCF-GA60VB- <u>E1</u>	
1	G	E12 817 233	BACK PANEL(OUT)		1	1	
2	G	E12 817 232	CABINET		1	1	
3	G	E12 817 521	GRILLE(OUT)		1	1	
4	G	E12 141 501	PROPELLER		1	1	
5	G	E12 139 515	MOTOR SUPPORT		1	1	
6	G	E12 075 506	COMPRESSOR RUBBER SET		3		3RUBBERS/SET
	G	E12 527 506	COMPRESSOR RUBBER SET			4	4RUBBERS/SET
7	G	E12 817 900	COMPRESSOR	MC	1		RN196VHSHT
	G	E12 821 900	COMPRESSOR	MC		1	NN29VBAHT
8	G	E12 817 290	BASE		1		
	G	E12 818 290	BASE			1	
9	G	E12 817 661	STOP VALVE(GAS)		1		φ12.7
	G	E12 818 661	STOP VALVE(GAS)			1	φ15.88
10	G	E12 817 662	STOP VALVE(LIQUID)		1	1	φ 6.35
11	G	E12 817 245	SERVICE PANEL		1	1	
12	G	E12 816 301	OUTDOOR FAN MOTOR	MF	1		RA6V50 - <input type="checkbox"/>
	G	E12 818 301	OUTDOOR FAN MOTOR	MF		1	RA6V60 - <input type="checkbox"/>
13	G	E12 817 630	OUTDOOR HEAT EXCHANGER		1		
	G	E12 818 630	OUTDOOR HEAT EXCHANGER			1	
14	G	E12 895 383	SURGE ABSORBER	DSAR	1	1	
15	G	E12 818 374	TERMINAL BLOCK	TB2	1	1	2P
16	G	E12 817 374	TERMINAL BLOCK	TB1	1	1	3P
17	G	E12 895 351	OUTDOOR FAN CAPACITOR	C2	1	1	3.0μF/440V AC
18	G	E12 888 353	COMPRESSOR CAPACITOR	C1	1		40μF/440V AC
	G	E12 889 353	COMPRESSOR CAPACITOR	C1		1	55μF/440V AC
19	G	E17 012 340	COMPRESSOR CONTACTOR	52C		1	
20	G	E12 817 009	HANDLE		1	1	
21	G	E12 746 937	CAPILLARY TUBE		1		φ3.0×φ1.6×650
	G	E12 825 936	CAPILLARY TUBE			1	φ3.0×φ2.0×1000
	G	E12 820 936	CAPILLARY TUBE		1		φ2.5×φ0.6×1000
22	G	E12 466 340	COMPRESSOR CONTACTOR	52C	1		
23	G	E12 466 340	RELAY	X1		1	



© Copyright 2004 MITSUBISHI ELECTRIC ENGINEERING CO.,LTD
Distributed in May 2006. No.OB383 REVISED EDITION-A 6
Distributed in Dec. 2004. No.OB383 6
Made in Japan

New publication, effective May 2006
Specifications subject to change without notice.