

Revision D :

- Parts numbers of indoor fan motor and motor band have been changed.
- Some descriptions have been modified.

Please void OB369 REVISED EDITION-C.

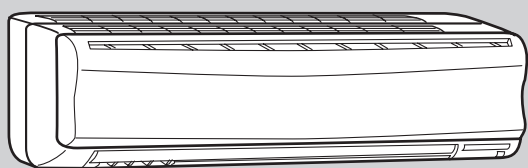
INDOOR UNIT SERVICE MANUAL

No. OB369
REVISED EDITION-D

Models

- MS-GA50VB** - E1
- MS-GA60VB** - E1
- MS-GA80VB** - E1

Outdoor unit service manual
MU-GA•VB Series (OB370)



CONTENTS

1. TECHNICAL CHANGES	2
2. PART NAMES AND FUNCTIONS	3
3. SPECIFICATION	5
4. NOISE CRITERIA CURVES	6
5. OUTLINES AND DIMENSIONS	7
6. WIRING DIAGRAM	8
7. REFRIGERANT SYSTEM DIAGRAM	9
8. SERVICE FUNCTIONS	10
9. TROUBLESHOOTING	12
10. DISASSEMBLY INSTRUCTIONS	21
11. PARTS LIST	23
12. RoHS PARTS LIST	25
13. OPTIONAL PARTS	27

NOTE:

This service manual describes technical data of the indoor units.
RoHS compliant products have <G> mark on the spec name plate.
For servicing of RoHS compliant products, refer to the RoHS PARTS LIST (RoHS compliant).



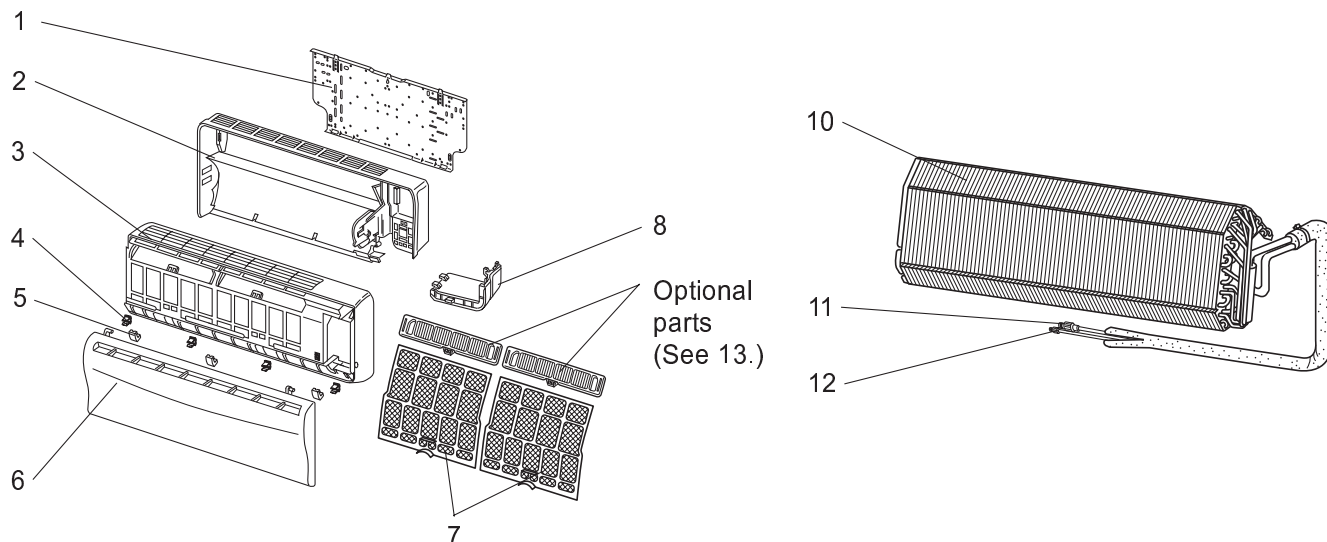
MS-GA50VB

MS-GA60VB

MS-GA80VB

11-1. INDOOR UNIT STRUCTURAL PARTS

11-2. INDOOR UNIT HEAT EXCHANGER



11-1. INDOOR UNIT STRUCTURAL PARTS

Part number that is circled is not shown in the illustration.

No.	Part No.	Part Name	Symbol in Wiring Diagram	Q'ty/unit			Remarks
				MS-GA50 VB - [E1]	MS-GA60 VB - [E1]	MS-GA80 VB - [E1]	
1	E02 527 970	INSTALLATION PLATE		1	1	1	
2	E02 685 234	BOX		1	1	1	
3	E02 888 000	FRONT PANEL ASSEMBLY		1	1	1	Including No.4,5,6
4	E02 408 142	CATCH		4	4	4	4PCS/ SET
5	E02 685 067	SCREW CAP		3	3	3	3PCS/ SET
6	E02 888 010	GRILLE		1	1	1	
7	E02 534 100	CATECHIN AIR FILTER		2	2	2	1PCE/ SET
8	E02 685 975	CORNER BOX RIGHT		1	1	1	
9	E02 891 007	LAMP PANEL		1	1	1	

11-2. INDOOR UNIT HEAT EXCHANGER

10	E02 891 620	INDOOR HEAT EXCHANGER		1	1		
	E02 896 620	INDOOR HEAT EXCHANGER				1	
11	E02 179 667	UNION (GAS)		1			φ12.7
	E02 138 666	UNION (GAS)			1	1	φ15.88
12	E02 151 667	UNION (LIQUID)		1	1		φ6.35
	E02 527 667	UNION (LIQUID)				1	φ9.52

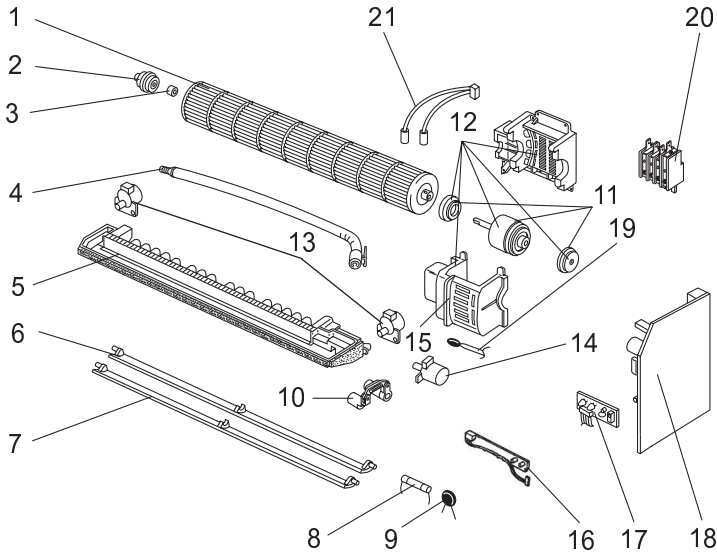
PARTS LIST (non-RoHS compliant)

MS-GA50VB

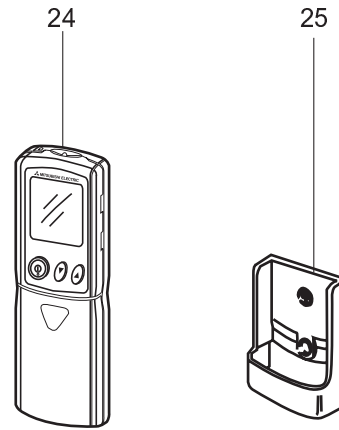
MS-GA60VB

MS-GA80VB

11-3. INDOOR UNIT FUNCTIONAL PARTS AND ELECTRICAL PARTS



11-4. ACCESSORY AND REMOTE CONTROLLER



11-3. INDOOR UNIT FUNCTIONAL PARTS AND ELECTRICAL PARTS

Part numbers that are circled are not shown in the illustration.

No.	Part No.	Part Name	Symbol in Wiring Diagram	Q'ty/unit			Remarks
				MS-GA50 VB - [E1]	MS-GA60 VB - [E1]	MS-GA80 VB - [E1]	
1	E02 527 302	LINE FLOW FAN		1	1	1	
2	E02 408 509	BEARING MOUNT		1	1	1	
3	E02 001 504	SLEEVE BEARING		1	1	1	
4	E02 408 702	DRAIN HOSE		1	1	1	
5	E02 996 235	NOZZLE ASSEMBLY		1	1	1	
6	E02 685 040	VANE UPPER		1	1	1	
7	E02 685 041	VANE LOWER		1	1	1	
8	E02 127 382	FUSE	F11	1	1	1	T3.15AL250V
9	E02 817 385	VARISTOR	NR11	1	1	1	
10	E02 527 034	VANE CRANK SET		1	1	1	
11	E02 527 300	INDOOR FAN MOTOR ASSEMBLY	MF			1	RC4V40-□□ Including RUBBER MOUNT
12	E12 F57 300	INDOOR FAN MOTOR ASSEMBLY	MF	1	1		RC4V40-□□ Including RUBBER MOUNT, MOTOR BAND and MOTOR BED
13	E02 448 303	VANE MOTOR (VERTICAL)	MV2	2	2	2	RIGHT & LEFT
14	E02 408 303	VANE MOTOR (HORIZONTAL)	MV1	1	1	1	UP & DOWN
15	E12 F57 333	MOTOR BAND SET		1	1		Including two kinds of motor bands
	E02 527 333	MOTOR BAND				1	
16	E02 528 329	DISPLAY P.C. BOARD		1	1	1	
17	E02 527 468	RECEIVER P.C. BOARD		1	1	1	
18	E02 894 452	ELECTRONIC CONTROL P.C. BOARD ※1		1			AUTO RESTART Including No.16
	E02 895 452	ELECTRONIC CONTROL P.C. BOARD ※1			1		AUTO RESTART Including No.16
	E02 896 452	ELECTRONIC CONTROL P.C. BOARD ※1				1	AUTO RESTART Including No.16
19	E02 527 308	ROOM TEMPERATURE THERMISTOR	RT11	1	1	1	
20	E02 817 375	TERMINAL BLOCK	TB	1	1		
	E02 819 375	TERMINAL BLOCK	TB			1	
21	E02 408 307	INDOOR COIL THERMISTOR	RT12	1	1		
	E02 527 307	INDOOR COIL THERMISTOR	RT12, RT13			1	
②②	E02 528 034	VANE MOTOR SUPPORT SET (RIGHT)		1	1	1	
②③	E02 529 034	VANE MOTOR SUPPORT SET (LEFT)		1	1	1	

※1 Refer to 9-6.

11-4. ACCESSORY AND REMOTE CONTROLLER

24	E02 527 426	REMOTE CONTROLLER		1	1	1	KM04B
25	E02 527 083	REMOTE CONTROLLER HOLDER		1	1	1	

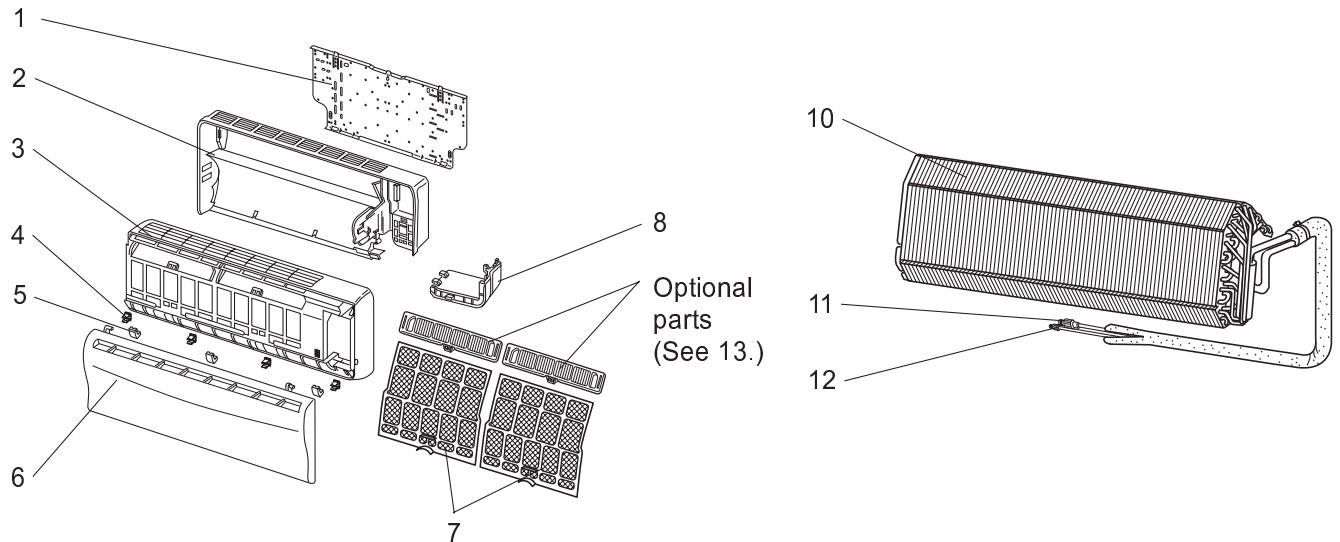
MS-GA50VB

MS-GA60VB

MS-GA80VB

12-1. INDOOR UNIT STRUCTURAL PARTS

12-2. INDOOR UNIT HEAT EXCHANGER



12-1. INDOOR UNIT STRUCTURAL PARTS

Part number that is circled is not shown in the illustration.

No.	RoHS	Part No.	Part Name	Symbol in Wiring Diagram	Q'ty/unit			Remarks
					MS-GA50 VB - [E1]	MS-GA60 VB - [E1]	MS-GA80 VB - [E1]	
1	G	E12 527 970	INSTALLATION PLATE		1	1	1	
2	G	E12 685 234	BOX		1	1	1	
3	G	E12 888 000	FRONT PANEL ASSEMBLY		1	1	1	Including No.4,5,6
4	G	E12 408 142	CATCH		4	4	4	4PCS/ SET
5	G	E12 685 067	SCREW CAP		3	3	3	3PCS/ SET
6	G	E12 888 010	GRILLE		1	1	1	
7	G	E12 534 100	CATECHIN AIR FILTER		2	2	2	1PCE/ SET
8	G	E12 685 975	CORNER BOX RIGHT		1	1	1	
⑨	G	E12 891 007	LAMP PANEL		1	1	1	

12-2. INDOOR UNIT HEAT EXCHANGER

10	G	E12 891 620	INDOOR HEAT EXCHANGER		1	1		
	G	E12 896 620	INDOOR HEAT EXCHANGER				1	
11	G	E12 179 667	UNION (GAS)		1			φ12.7
	G	E12 138 666	UNION (GAS)			1	1	φ15.88
12	G	E12 151 667	UNION (LIQUID)		1	1		φ6.35
	G	E12 527 667	UNION (LIQUID)				1	φ9.52

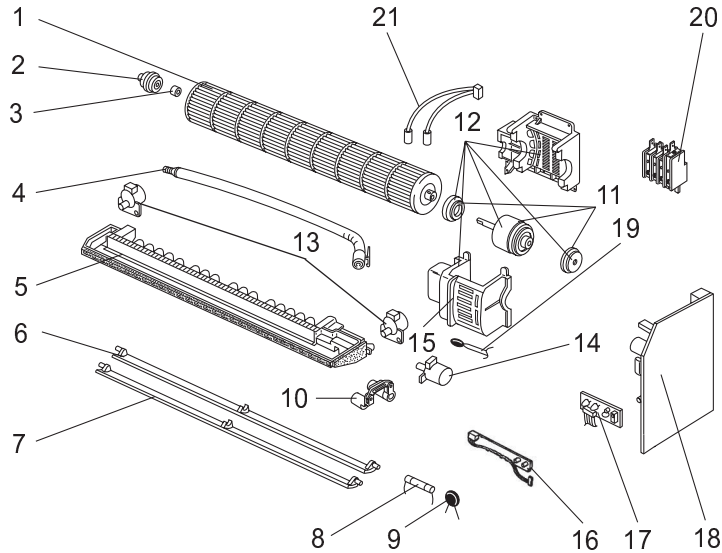
RoHS PARTS LIST (RoHS compliant)

MS-GA50VB

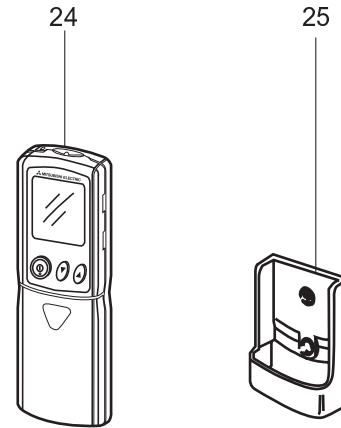
MS-GA60VB

MS-GA80VB

12-3. INDOOR UNIT FUNCTIONAL PARTS AND ELECTRICAL PARTS



12-4. ACCESSORY AND REMOTE CONTROLLER



12-3. INDOOR UNIT FUNCTIONAL PARTS AND ELECTRICAL PARTS

Part numbers that are circled are not shown in the illustration.

No.	RoHS	Part No.	Part Name	Symbol in Wiring Diagram	Q'ty/unit			Remarks
					MS-GA50 VB -[E1]	MS-GA60 VB -[E1]	MS-GA80 VB -[E1]	
1	G	E12 527 302	LINE FLOW FAN		1	1	1	
2	G	E12 408 509	BEARING MOUNT		1	1	1	
3	G	E12 001 504	SLEEVE BEARING		1	1	1	
4	G	E12 408 702	DRAIN HOSE		1	1	1	
5	G	E12 996 235	NOZZLE ASSEMBLY		1	1	1	
6	G	E12 685 040	VANE UPPER		1	1	1	
7	G	E12 685 041	VANE LOWER		1	1	1	
8	G	E12 A49 382	FUSE	F11	1	1	1	T3.15AL250V
9	G	E12 817 385	VARISTOR	NR11	1	1	1	
10	G	E12 527 034	VANE CRANK SET		1	1	1	
11	G	E12 527 300	INDOOR FAN MOTOR ASSEMBLY	MF			1	RC4V40-□□ Including RUBBER MOUNT
12	G	E12 F57 300	INDOOR FAN MOTOR ASSEMBLY	MF	1	1		RC4V40-□□ Including RUBBER MOUNT, MOTOR BAND and MOTOR BED
13	G	E12 448 303	VANE MOTOR (VERTICAL)	MV2	2	2	2	RIGHT & LEFT
14	G	E12 408 303	VANE MOTOR (HORIZONTAL)	MV1	1	1	1	UP & DOWN
15	G	E12 F57 333	MOTOR BAND SET		1	1		Including two kinds of motor bands
	G	E12 527 333	MOTOR BAND				1	
16	G	E12 528 329	DISPLAY P.C. BOARD		1	1	1	
17	G	E12 527 468	RECEIVER P.C. BOARD		1	1	1	
18	G	E12 894 452	ELECTRONIC CONTROL P.C. BOARD *1		1			AUTO RESTART Including No.16
	G	E12 895 452	ELECTRONIC CONTROL P.C. BOARD *1			1		AUTO RESTART Including No.16
	G	E12 896 452	ELECTRONIC CONTROL P.C. BOARD *1				1	AUTO RESTART Including No.16
19	G	E12 527 308	ROOM TEMPERATURE THERMISTOR	RT11	1	1	1	
20	G	E12 817 375	TERMINAL BLOCK	TB	1	1		
	G	E12 819 375	TERMINAL BLOCK	TB			1	
21	G	E12 408 307	INDOOR COIL THERMISTOR	RT12	1	1		
	G	E12 527 307	INDOOR COIL THERMISTOR	RT12, RT13			1	
22	G	E12 528 034	VANE MOTOR SUPPORT SET (RIGHT)		1	1	1	
23	G	E12 529 034	VANE MOTOR SUPPORT SET (LEFT)		1	1	1	

*1 Refer to 9-6.

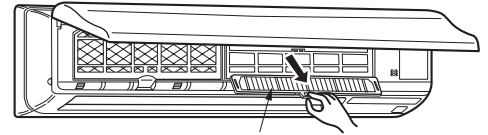
12-4. ACCESSORY AND REMOTE CONTROLLER

24	G	E12 527 426	REMOTE CONTROLLER		1	1	1	KM04B
25	G	E12 527 083	REMOTE CONTROLLER HOLDER		1	1	1	

AIR CLEANING FILTER

- Normal life of AIR CLEANING FILTER is 4 months. However, when it becomes dirty, replace it as soon as possible.
- Clogged AIR CLEANING FILTER may reduce the air conditioner capacity or cause frost on the air outlet.
- DO NOT reuse AIR CLEANING FILTER even if it is washed.
- DO NOT remove or attach AIR CLEANING FILTER during unit operation.

Model	Part No.
MS-GA50VB MS-GA60VB MS-GA80VB	MAC-1700FT



Air cleaning filter (White bellows type)

mitsubishi electric corporation

HEAD OFFICE: TOKYO BLDG., 2-7-3, MARUNOUCHI, CHIYODA-KU, TOKYO 100-8310, JAPAN

© Copyright 2004 MITSUBISHI ELECTRIC CORPORATION
Distributed in Jan. 2012. No.OB369 REVISED EDITION-D
Distributed in Aug. 2011. No.OB369 REVISED EDITION-C
Distributed in May 2007. No.OB369 REVISED EDITION-B 6
Distributed in May 2006. No.OB369 REVISED EDITION-A 6
Distributed in Oct. 2004. No.OB369 6
Made in Japan

New publication, effective Jan. 2012
Specifications are subject to change without notice.