

Revision A:

•RoHS PARTS LIST has been corrected.

Please void OB367 REVISED EDITION-A.

INDOOR UNIT

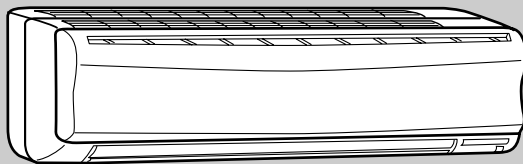
SERVICE MANUAL

No. OB367
REVISED EDITION-B

Wireless type Models

| | |
|-------------------|------|
| MSH-GA50VB | - E1 |
| MSH-GA60VB | - E1 |
| MSH-GA80VB | - E1 |

**Outdoor unit service manual
MUH-GA•VB Series (OB368)**



CONTENTS

| | |
|-------------------------------------|----|
| 1. TECHNICAL CHANGES | 2 |
| 2. PART NAMES AND FUNCTIONS | 2 |
| 3. SPECIFICATION | 4 |
| 4. NOISE CRITERIA CURVES | 5 |
| 5. OUTLINES AND DIMENSIONS | 6 |
| 6. WIRING DIAGRAM | 7 |
| 7. REFRIGERANT SYSTEM DIAGRAM | 8 |
| 8. SERVICE FUNCTIONS | 9 |
| 9. TROUBLESHOOTING | 11 |
| 10. DISASSEMBLY INSTRUCTIONS | 19 |
| 11. PARTS LIST | 21 |
| 12. RoHS PARTS LIST | 23 |
| 13. OPTIONAL PARTS | 25 |

NOTE:

This service manual describes technical data of the indoor units.
RoHS compliant products have <G> mark on the spec name plate.
For servicing of RoHS compliant products, refer to the RoHS PARTS LIST (RoHS compliant).



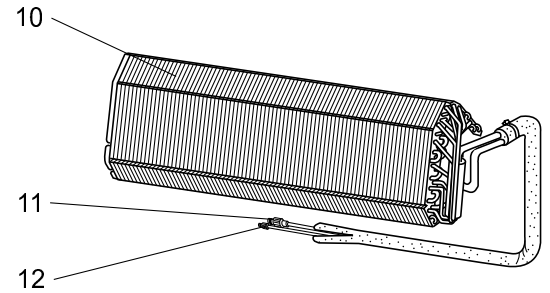
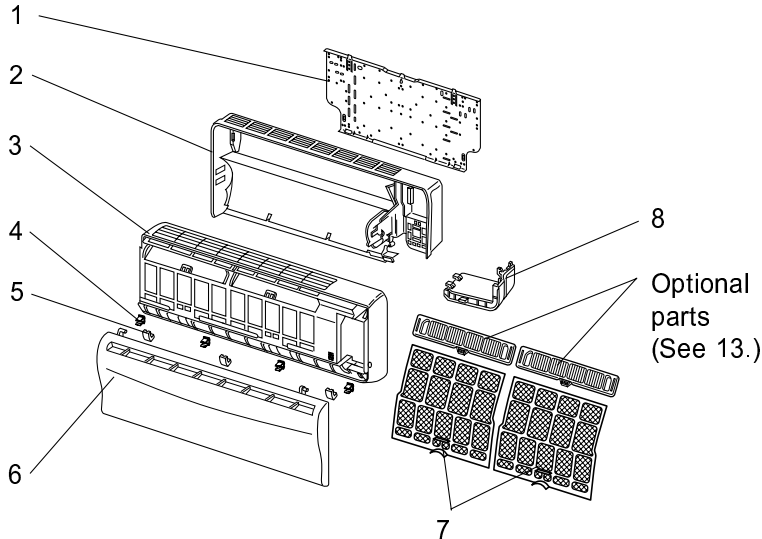
MSH-GA50VB

MSH-GA60VB

MSH-GA80VB

11-1. INDOOR UNIT STRUCTURAL PARTS

11-2. INDOOR UNIT HEAT EXCHANGER



11-1. INDOOR UNIT STRUCTURAL PARTS

Part number that is circled is not shown in the illustration.

| NO. | Part No. | Part Name | Symbol in Wiring Diagram | Q'ty/unit | | | Remarks |
|-----|-------------|----------------------|--------------------------------|---------------------|---------------------|---------------------|--------------------|
| | | | | MSH-GA50 VB - E1 | MSH-GA60 VB - E1 | MSH-GA80 VB - E1 | |
| 1 | E02 527 970 | INSTALLATION PLATE | | 1 | 1 | 1 | |
| 2 | E02 685 234 | BOX | | 1 | 1 | 1 | |
| 3 | E02 888 000 | FRONT PANEL ASSEMBLY | | 1 | 1 | 1 | Including No.4,5,6 |
| 4 | E02 408 142 | CATCH | | 4 | 4 | 4 | 4PCS/ SET |
| 5 | E02 685 067 | SCREW CAP | | 3 | 3 | 3 | 3PCS/ SET |
| 6 | E02 888 010 | GRILLE | | 1 | 1 | 1 | |
| 7 | E02 534 100 | CATECHIN AIR FILTER | | 2 | 2 | 2 | 1PCE/ SET |
| 8 | E02 685 975 | CORNER BOX RIGHT | | 1 | 1 | 1 | |
| 9 | E02 891 007 | LAMP PANEL | | 1 | 1 | 1 | |

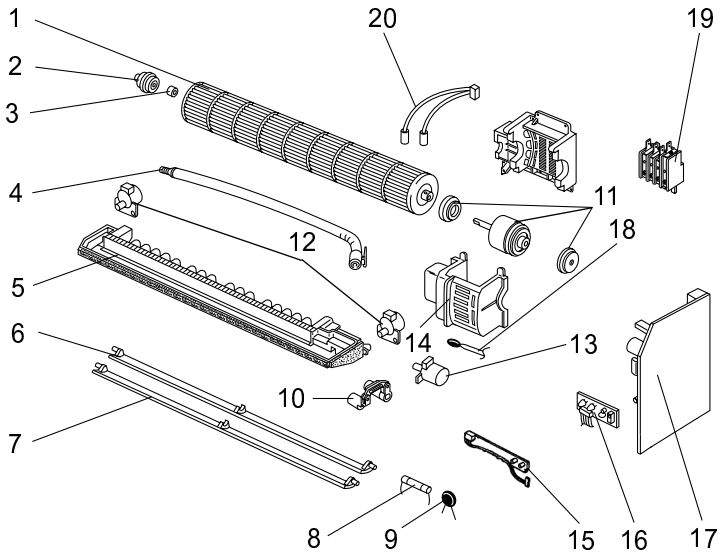
11-2. INDOOR UNIT HEAT EXCHANGER

| | | | | | | | |
|----|-------------|-----------------------|--|---|---|---|--------|
| 10 | E02 891 620 | INDOOR HEAT EXCHANGER | | 1 | 1 | | |
| | E02 893 620 | INDOOR HEAT EXCHANGER | | | | 1 | |
| 11 | E02 179 667 | UNION (GAS) | | 1 | | | φ12.7 |
| | E02 138 666 | UNION (GAS) | | | 1 | 1 | φ15.88 |
| 12 | E02 151 667 | UNION (LIQUID) | | 1 | 1 | | φ6.35 |
| | E02 527 667 | UNION (LIQUID) | | | | 1 | φ9.52 |

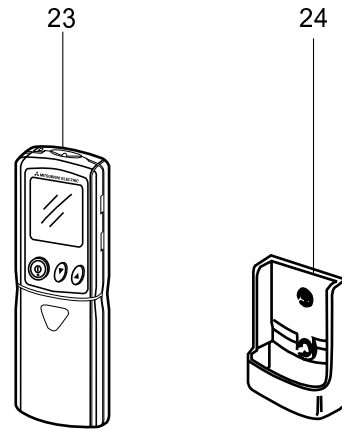
PARTS LIST (non-RoHS compliant)

MSH-GA50VB
MSH-GA60VB
MSH-GA80VB

11-3. INDOOR UNIT FUNCTIONAL PARTS AND ELECTRICAL PARTS



11-4. ACCESSORY AND REMOTE CONTROLLER



11-3. INDOOR UNIT FUNCTIONAL PARTS AND ELECTRICAL PARTS

Part numbers that are circled are not shown in the illustration.

| NO. | Part No. | Part Name | Symbol in Wiring Diagram | Q'ty/unit | | | Remarks |
|-----|-------------|-------------------------------|--------------------------|--------------------|--------------------|--------------------|--|
| | | | | MSH-GA50 VB - [E1] | MSH-GA60 VB - [E1] | MSH-GA80 VB - [E1] | |
| 1 | E02 527 302 | LINE FLOW FAN | | 1 | 1 | 1 | |
| 2 | E02 408 509 | BEARING MOUNT | | 1 | 1 | 1 | |
| 3 | E02 001 504 | SLEEVE BEARING | | 1 | 1 | 1 | |
| 4 | E02 408 702 | DRAIN HOSE | | 1 | 1 | 1 | |
| 5 | E02 996 235 | NOZZLE | | 1 | 1 | 1 | |
| 6 | E02 685 040 | VANE UPPER | | 1 | 1 | 1 | |
| 7 | E02 685 041 | VANE LOWER | | 1 | 1 | 1 | |
| 8 | E02 127 382 | FUSE | F11 | 1 | 1 | 1 | 3.15A |
| 9 | E02 817 385 | VARISTOR | NR11 | 1 | 1 | 1 | |
| 10 | E02 527 034 | VANE CRANK SET | | 1 | 1 | 1 | |
| 11 | E02 817 300 | INDOOR FAN MOTOR ASSEMBLY | MF | 1 | 1 | | RC4V32 - [] Including RUBBER MOUNT |
| | E02 527 300 | INDOOR FAN MOTOR ASSEMBLY | MF | | | 1 | RC4V40 - [] Including RUBBER MOUNT |
| 12 | E02 448 303 | VANE MOTOR (VERTICAL) | MV2 | 2 | 2 | 2 | RIGHT & LEFT |
| 13 | E02 408 303 | VANE MOTOR (HORIZONTAL) | MV1 | 1 | 1 | 1 | UP & DOWN |
| 14 | E02 817 333 | MOTOR BAND | | 1 | 1 | | |
| | E02 527 333 | MOTOR BAND | | | | 1 | |
| 15 | E02 528 329 | DISPLAY P.C. BOARD | | 1 | 1 | 1 | |
| 16 | E02 527 468 | RECEIVER P.C. BOARD | | 1 | 1 | 1 | |
| 17 | E02 891 452 | ELECTRONIC CONTROL P.C. BOARD | | 1 | | | AUTO RESTART Including No.16 |
| | E02 892 452 | ELECTRONIC CONTROL P.C. BOARD | | | 1 | | AUTO RESTART Including No.16 |
| | E02 893 452 | ELECTRONIC CONTROL P.C. BOARD | | | | 1 | AUTO RESTART Including No.16 |
| 18 | E02 527 308 | ROOM TEMPERATURE THERMISTOR | RT11 | 1 | 1 | 1 | |
| 19 | E02 819 375 | TERMINAL BLOCK | TB | 1 | 1 | 1 | |
| 20 | E02 408 307 | INDOOR COIL THERMISTOR | RT12 | 1 | 1 | | |
| | E02 527 307 | INDOOR COIL THERMISTOR | RT12, RT13 | | | 1 | |
| 21 | E02 528 034 | VANE MOTOR SUPPORT SET(RIGHT) | | 1 | 1 | 1 | |
| 22 | E02 529 034 | VANE MOTOR SUPPORT SET(LEFT) | | 1 | 1 | 1 | |

11-4. ACCESSORY AND REMOTE CONTROLLER

| | | | | | | | |
|----|-------------|--------------------------|--|---|---|---|-------------|
| 23 | E02 529 426 | REMOTE CONTROLLER | | 1 | 1 | 1 | KP0A, KM04A |
| 24 | E02 527 083 | REMOTE CONTROLLER HOLDER | | 1 | 1 | 1 | |

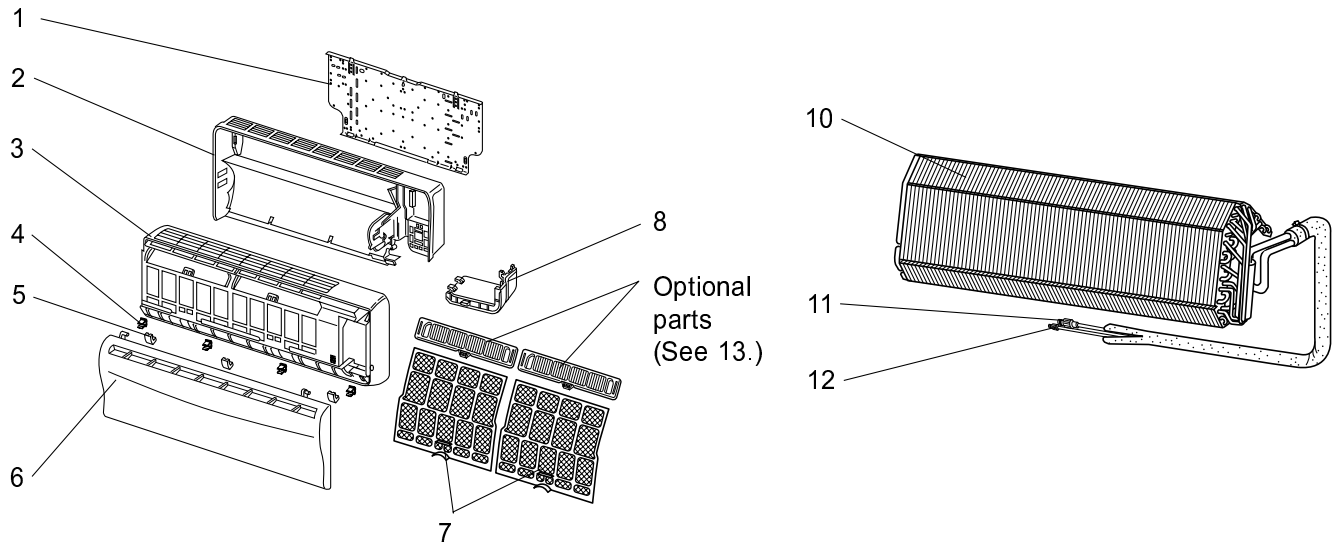
MSH-GA50VB

MSH-GA60VB

MSH-GA80VB

12-1. INDOOR UNIT STRUCTURAL PARTS

12-2. INDOOR UNIT HEAT EXCHANGER



12-1. INDOOR UNIT STRUCTURAL PARTS

Part number that is circled is not shown in the illustration.

| NO. | RoHS | Part No. | Part Name | Symbol in Wiring Diagram | Q'ty/unit | | | Remarks |
|-----|------|-------------|----------------------|--------------------------|--------------------|--------------------|--------------------|--------------------|
| | | | | | MSH-GA50 VB - [E1] | MSH-GA60 VB - [E1] | MSH-GA80 VB - [E1] | |
| 1 | G | E12 527 970 | INSTALLATION PLATE | | 1 | 1 | 1 | |
| 2 | G | E12 685 234 | BOX | | 1 | 1 | 1 | |
| 3 | G | E12 888 000 | FRONT PANEL ASSEMBLY | | 1 | 1 | 1 | Including No.4,5,6 |
| 4 | G | E12 408 142 | CATCH | | 4 | 4 | 4 | 4PCS/ SET |
| 5 | G | E12 685 067 | SCREW CAP | | 3 | 3 | 3 | 3PCS/ SET |
| 6 | G | E12 888 010 | GRILLE | | 1 | 1 | 1 | |
| 7 | G | E12 534 100 | CATECHIN AIR FILTER | | 2 | 2 | 2 | 1PCE/ SET |
| 8 | G | E12 685 975 | CORNER BOX RIGHT | | 1 | 1 | 1 | |
| 9 | G | E12 891 007 | LAMP PANEL | | 1 | 1 | 1 | |

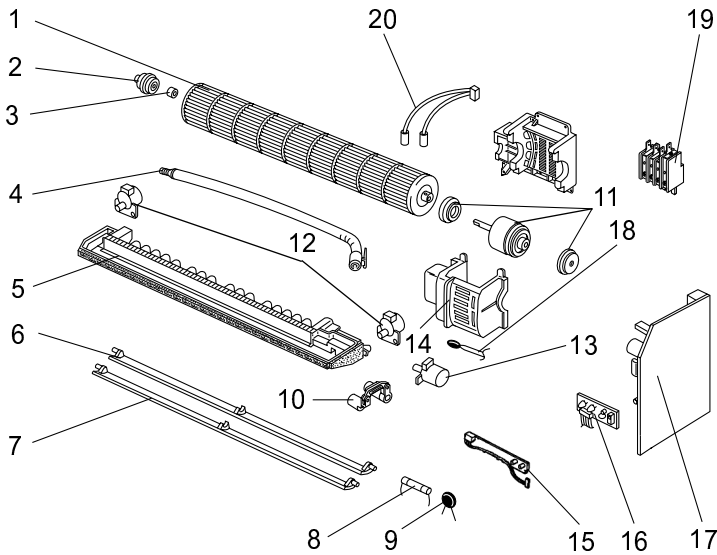
12-2. INDOOR UNIT HEAT EXCHANGER

| | | | | | | | | |
|----|---|-------------|-----------------------|--|---|---|---|--------|
| 10 | G | E12 891 620 | INDOOR HEAT EXCHANGER | | 1 | 1 | | |
| | G | E12 893 620 | INDOOR HEAT EXCHANGER | | | | 1 | |
| 11 | G | E12 179 667 | UNION (GAS) | | 1 | | | φ12.7 |
| | G | E12 138 666 | UNION (GAS) | | | 1 | 1 | φ15.88 |
| 12 | G | E12 151 667 | UNION (LIQUID) | | 1 | 1 | | φ6.35 |
| | G | E12 527 667 | UNION (LIQUID) | | | | 1 | φ9.52 |

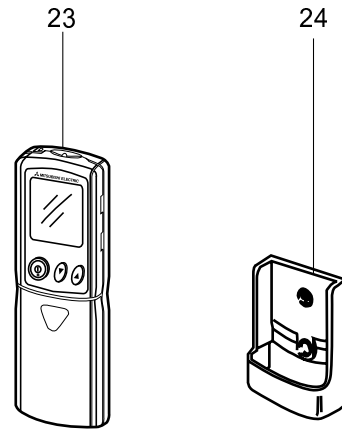
RoHS PARTS LIST (RoHS compliant)

MSH-GA50VB
MSH-GA60VB
MSH-GA80VB

12-3. INDOOR UNIT FUNCTIONAL PARTS AND ELECTRICAL PARTS



12-4. ACCESSORY AND REMOTE CONTROLLER



12-3. INDOOR UNIT FUNCTIONAL PARTS AND ELECTRICAL PARTS

Part numbers that are circled are not shown in the illustration.

| NO. | RoHS | Part No. | Part Name | Symbol in Wiring Diagram | Q'ty/unit | | | Remarks |
|-----|------|-------------|--------------------------------|--------------------------|------------------|------------------|------------------|------------------------------------|
| | | | | | MSH-GA50 VB - E1 | MSH-GA60 VB - E1 | MSH-GA80 VB - E1 | |
| 1 | G | E12 527 302 | LINE FLOW FAN | | 1 | 1 | 1 | |
| 2 | G | E12 408 509 | BEARING MOUNT | | 1 | 1 | 1 | |
| 3 | G | E12 001 504 | SLEEVE BEARING | | 1 | 1 | 1 | |
| 4 | G | E12 408 702 | DRAIN HOSE | | 1 | 1 | 1 | |
| 5 | G | E12 996 235 | NOZZLE | | 1 | 1 | 1 | |
| 6 | G | E12 685 040 | VANE UPPER | | 1 | 1 | 1 | |
| 7 | G | E12 685 041 | VANE LOWER | | 1 | 1 | 1 | |
| 8 | G | E12 A49 382 | FUSE | F11 | 1 | 1 | 1 | 3.15A |
| 9 | G | E12 817 385 | VARISTOR | NR11 | 1 | 1 | 1 | |
| 10 | G | E12 527 034 | VANE CRANK SET | | 1 | 1 | 1 | |
| 11 | G | E12 817 300 | INDOOR FAN MOTOR ASSEMBLY | MF | 1 | 1 | | RC4V32 - □□ including RUBBER MOUNT |
| | G | E12 527 300 | INDOOR FAN MOTOR ASSEMBLY | MF | | | 1 | RC4V40 - □□ including RUBBER MOUNT |
| 12 | G | E12 448 303 | VANE MOTOR (VERTICAL) | MV2 | 2 | 2 | 2 | RIGHT & LEFT |
| 13 | G | E12 408 303 | VANE MOTOR (HORIZONTAL) | MV1 | 1 | 1 | 1 | UP & DOWN |
| 14 | G | E12 817 333 | MOTOR BAND | | 1 | 1 | | |
| | G | E12 527 333 | MOTOR BAND | | | | 1 | |
| 15 | G | E12 528 329 | DISPLAY P.C. BOARD | | 1 | 1 | 1 | |
| 16 | G | E12 527 468 | RECEIVER P.C. BOARD | | 1 | 1 | 1 | |
| 17 | G | E12 891 452 | ELECTRONIC CONTROL P.C. BOARD | | 1 | | | AUTO RESTART including No.16 |
| | G | E12 892 452 | ELECTRONIC CONTROL P.C. BOARD | | | 1 | | AUTO RESTART including No.16 |
| | G | E12 893 452 | ELECTRONIC CONTROL P.C. BOARD | | | | 1 | AUTO RESTART including No.16 |
| 18 | G | E12 527 308 | ROOM TEMPERATURE THERMISTOR | RT11 | 1 | 1 | 1 | |
| 19 | G | E12 819 375 | TERMINAL BLOCK | TB | 1 | 1 | 1 | |
| 20 | G | E12 408 307 | INDOOR COIL THERMISTOR | RT12 | 1 | 1 | | |
| | G | E12 527 307 | INDOOR COIL THERMISTOR | RT12, RT13 | | | 1 | |
| 21 | G | E12 528 034 | VANE MOTOR SUPPORT SET (RIGHT) | | 1 | 1 | 1 | |
| 22 | G | E12 529 034 | VANE MOTOR SUPPORT SET (LEFT) | | 1 | 1 | 1 | |

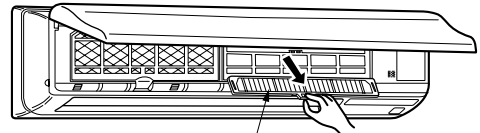
12-4. ACCESSORY AND REMOTE CONTROLLER

| | | | | | | | | |
|----|---|-------------|--------------------------|--|---|---|---|-------------|
| 23 | G | E12 529 426 | REMOTE CONTROLLER | | 1 | 1 | 1 | KP0A, KM04A |
| 24 | G | E12 527 083 | REMOTE CONTROLLER HOLDER | | 1 | 1 | 1 | |

AIR CLEANING FILTER

- AIR CLEANING FILTER removes fine dust of 0.01 micron from air by means of static electricity.
- Normal life of AIR CLEANING FILTER is 4 months. However, when it becomes dirty, replace it as soon as possible.
- Clogged AIR CLEANING FILTER may reduce the air conditioner capacity or cause frost on the air outlet.
- DO NOT reuse AIR CLEANING FILTER even if it is washed.
- DO NOT remove or attach AIR CLEANING FILTER during unit operation.

| Model | Part No. |
|--|------------|
| MSH-GA50VB MSH-GA60VB MSH-GA80VB | MAC-1700FT |



Air cleaning filter (White bellows type)



HEAD OFFICE: TOKYO BLDG., 2-7-3, MARUNOUCHI, CHIYODA-KU, TOKYO 100-8310, JAPAN

© Copyright 2004 MITSUBISHI ELECTRIC ENGINEERING CO.,LTD
Distributed in May 2007. No.OB367 REVISED EDITION-B 6
Distributed in May 2006. No.OB367 REVISED EDITION-A 6
Distributed in Oct. 2004. No.OB367 6
Made in Japan

New publication, effective May 2007
Specifications subject to change without notice.