

**Revision D:**

•PARTS LIST and RoHS PARTS LIST have been changed.

Please void OB372 REVISED EDITION-C

# OUTDOOR UNIT SERVICE MANUAL

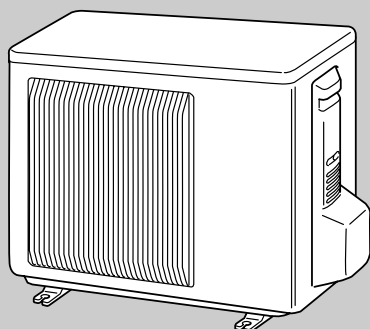


**No. OB372  
REVISED EDITION-D**

**Wireless type  
Models**

**MUZ-FA25VA** - E1  
**MUZ-FA35VA** - E1  
**MUZ-FA25VAH** - E1  
**MUZ-FA35VAH** - E1

**Indoor unit service manual  
MSZ-FA•VA Series (OB371)**



## CONTENTS

1. TECHNICAL CHANGES .....	4
2. PART NAMES AND FUNCTIONS .....	7
3. SPECIFICATION .....	7
4. NOISE CRITERIA CURVES .....	9
5. OUTLINES AND DIMENSIONS .....	10
6. WIRING DIAGRAM .....	11
7. REFRIGERANT SYSTEM DIAGRAM .....	15
8. PERFORMANCE CURVES .....	17
9. ACTUATOR CONTROL .....	25
10. SERVICE FUNCTIONS .....	26
11. TROUBLESHOOTING .....	26
12. DISASSEMBLY INSTRUCTIONS .....	45
13. PARTS LIST .....	48
14. RoHS PARTS LIST .....	52

**NOTE:**

RoHS compliant products have <G> mark on the spec name plate.  
For servicing of RoHS compliant products, refer to the RoHS Parts List.





**Revision A:**

- The inverter P.C.board is integrated.

1. Inverter P.C.board has been changed (Refer to 11-7.1. Inverter P.C.board). FUSE F901 has been equipped. Please refer to serial number listed below regarding this change.

Model	Serial number	6. Wiring diagram	11-6. ㉞ Check of inverter P.C.board
MUZ-FA25VA - [E1]	5002651T~	Change	Change
MUZ-FA25VAH - [E1]	5000401T~		
MUZ-FA35VA - [E1]	5003001T~		
MUZ-FA35VAH - [E1]	5000401T~		

2. Wiring diagram has been added. (Page 12 , 14)

3. Test point diagram and voltage has been added. (Page 43)

**Revision B:**

- RoHS PARTS LIST has been added.
- 11-2. Failure mode recall function has been changed.

**Revision C:**

- Defrost finish temperature has been changed. [MUZ-FA35VAH]

**Revision D:**

- PARTS LIST and RoHS PARTS LIST have been changed.

**MUZ-A09YV** -[E1] → **MUZ-FA25VA** -[E1]  
**MUZ-A09YVH** -[E1] → **MUZ-FA25VAH** -[E1]

1. Indication of capacity has been changed. (BTU base → kW base)
2. Control method between indoor and outdoor unit has been changed.
3. Power supply method has been changed (change to supply from outdoor unit).
4. Terminal block for power supply has been added.
5. Power P.C. board has been changed.
6. Inverter P.C. board has been changed.
7. Refrigerant circuit has been changed.
  - Compressor has been changed. (KNB073FBVH → KNB073FDVH)
  - Specification and position of muffler have been changed.
  - Path of outdoor heat exchanger has been changed.
  - 4-way valve and R.V. coil have been changed.
  - Stop valve has been changed.
8. Fan motor has been changed. (AC → DC)
9. Shape of grille has been changed.
10. Shape of service panel has been changed.
11. Shape of propeller has been changed.
12. Quick Clean Kit has been added.
13. Symbol on terminal block has been changed (to S1/S2/S3).

**MUZ-A12YV** -[E1] → **MUZ-FA35VA** -[E1]  
**MUZ-A12YVH** -[E1] → **MUZ-FA35VAH** -[E1]

1. Indication of capacity has been changed. (BTU base → kW base)
2. Control method between indoor and outdoor unit has been changed.
3. Power supply method has been changed (change to supply from outdoor unit).
4. Power P.C. board has been changed.
5. Terminal block for power supply has been added.
6. Inverter P.C. board has been changed.
7. Refrigerant circuit has been changed.
  - Compressor has been changed. (KNB092FAAH → KNB092FCAH)
  - Specification and position of muffler have been changed.
  - Outdoor heat exchanger has been changed.
  - 4-way valve and R.V. coil have been changed.
  - Stop valve has been changed.
8. Fan motor has been changed. (AC → DC)
9. Shape of grille has been changed.
10. Shape of service panel has been changed.
11. Shape of propeller has been changed.
12. Quick Clean Kit has been added.
13. Symbol on terminal block has been changed (to S1/S2/S3).

**INFORMATION FOR THE AIR CONDITIONER WITH R410A REFRIGERANT**

- This room air conditioner adopts HFC refrigerant (R410A) which never destroys the ozone layer.
- Pay particular attention to the following points, though the basic installation procedure is same as that for R22 air conditioners.
  - ① As R410A has working pressure approximate 1.6 times as high as that of R22, some special tools and piping parts/materials are required. Refer to the table below.
  - ② Take sufficient care not to allow water and other contaminations to enter the R410A refrigerant during storage and installation, since it is more susceptible to contaminations than R22.
  - ③ For refrigerant piping, use clean, pressure-proof parts/materials specifically designed for R410A. (Refer to 2. Refrigerant piping.)
  - ④ Composition change may occur in R410A since it is a mixed refrigerant. When charging, charge liquid refrigerant to prevent composition change.

		New refrigerant	Previous refrigerant
Refrigerant	Refrigerant	R410A	R22
	Composition (Ratio)	HFC-32: HFC-125 (50%:50%)	R22 (100%)
	Refrigerant handling	Pseudo-azeotropic refrigerant	Single refrigerant
	Chlorine	Not included	Included
	Safety group (ASHRAE)	A1/A1	A1
	Molecular weight	72.6	86.5
	Boiling point (°C)	-51.4	-40.8
	Steam pressure [25°C](Mpa)	1.557	0.94
	Saturated steam density [25°C](Kg/m <sup>3</sup> )	64	44.4
	Combustibility	Non combustible	Non combustible
	ODP *1	0	0.055
	GWP *2	1730	1700
	Refrigerant charge method	From liquid phase in cylinder	Gas phase
	Additional charge on leakage	Possible	Possible
Refrigeration oil	Kind	Incompatible oil	Compatible oil
	Color	Non	Light yellow
	Smell	Non	Non

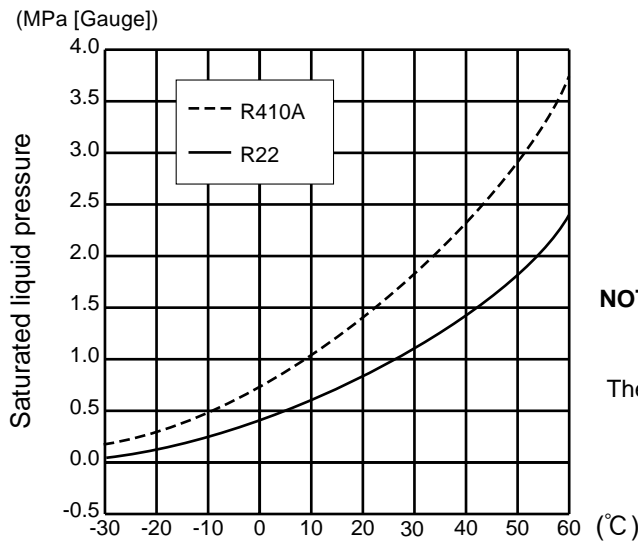
\*1 : Ozone Depletion Potential : based on CFC-11  
 \*2 : Global Warming Potential : based on CO<sub>2</sub>



	New Specification	Current Specification
Compressor	<p>The incompatible refrigeration oil easily separates from refrigerant and is in the upper layer inside the suction muffler. Raising position of the oil back hole enables to back the refrigeration oil of the upper layer to flow back to the compressor.</p>	<p>Since refrigerant and refrigeration oil are compatible, refrigeration oil goes back to the compressor through the lower position oil back hole.</p>

**NOTE :** The unit of pressure has been changed to MPa on the international system of units(SI unit system).  
 The conversion factor is: **1(MPa [Gauge]) =10.2(kgf/cm<sup>2</sup> [Gauge])**

**Conversion chart of refrigerant temperature and pressure**



**NOTE :** The unit of pressure has been changed to MPa on the international system of units(SI unit system).  
 The conversion factor is: **1(MPa [Gauge]) =10.2(kgf/cm<sup>2</sup> [Gauge])**

**1.Tools dedicated for the air conditioner with R410A refrigerant**

The following tools are required for R410A refrigerant. Some R22 tools can be substituted for R410A tools.  
 The diameter of the service port on the stop valve in outdoor unit has been changed to prevent any other refrigerant being charged into the unit. Cap size has been changed from 7/16 UNF with 20 threads to 1/2 UNF with 20 threads.

R410A tools	Can R22 tools be used?	Description
Gauge manifold	No	R410A has high pressures beyond the measurement range of existing gauges. Port diameters have been changed to prevent any other refrigerant from being charged into the unit.
Charge hose	No	Hose material and cap size have been changed to improve the pressure resistance.
Gas leak detector	No	Dedicated for HFC refrigerant.
Torque wrench	Yes	6.35 mm and 9.52 mm
	No	12.7 mm
Flare tool	Yes	Clamp bar hole has been enlarged to reinforce the spring strength in the tool.
Flare gauge	New	Provided for flaring work (to be used with R22 flare tool).
Vacuum pump adapter	New	Provided to prevent the back flow of oil. This adapter enables you to use vacuum pumps.
Electronic scale for refrigerant charging	New	It is difficult to measure R410A with a charging cylinder because the refrigerant bubbles due to high pressure and high-speed vaporization

No : Not Substitutable for R410A    Yes : Substitutable for R410A

## 2.Refrigerant piping

### ① Specifications

Use the refrigerant pipes that meet the following specifications.

Pipe	Outside diameter	Wall thickness	Insulation material
	mm		
For liquid	6.35	0.8 mm	Heat resisting foam plastic Specific gravity 0.045 Thickness 8 mm
For gas	9.52	0.8 mm	
	12.7	0.8 mm	

- Use a copper pipe or a copper-alloy seamless pipe with a thickness of 0.8 mm. Never use any pipe with a thickness less than 0.8mm, as the pressure resistance is insufficient.

### ② Flaring work and flare nut

Flaring work for R410A pipe differs from that for R22 pipe.

For details of flaring work, refer to Installation manual "FLARING WORK".

Pipe diameter mm	Dimension of flare nut	
	R410A	R22
6.35	17	17
9.52	22	22
12.7	26	24

## 3.Refrigeration oil

Apply the special refrigeration oil (accessories: packed with indoor unit) to the flare and the union seat surfaces.

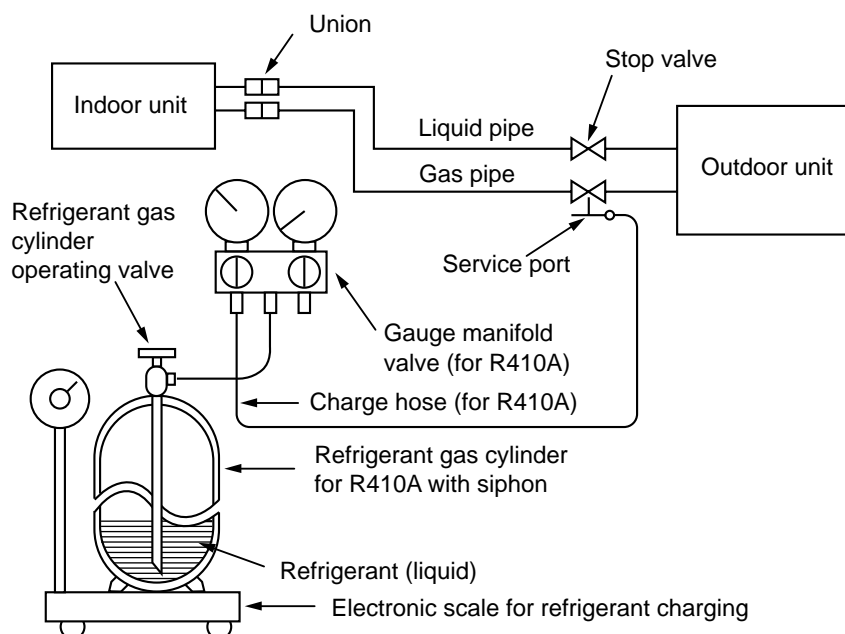
## 4.Air purge

- Do not discharge the refrigerant into the atmosphere.  
Take care not to discharge refrigerant into the atmosphere during installation, reinstallation, or repairs to the refrigerant circuit.
- Use the vacuum pump for air purging for the purpose of environmental protection.

## 5.Additional charge

For additional charging, charge the refrigerant from liquid phase of the gas cylinder.

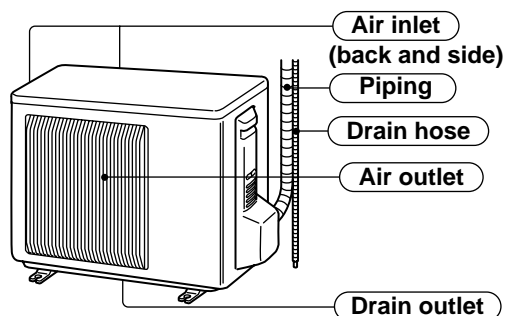
If the refrigerant is charged from the gas phase, composition change may occur in the refrigerant inside the cylinder and the outdoor unit. In this case, capacity of the refrigeration cycle decreases or normal operation can be impossible. However, charging the liquid refrigerant all at once may cause the compressor to be locked. Thus, charge the refrigerant slowly.



## 2

# PART NAMES AND FUNCTIONS

MUZ-FA25VA MUZ-FA35VA  
MUZ-FA25VAH MUZ-FA35VAH



## ACCESSORIES

		MUZ-FA25VA MUZ-FA35VA	MUZ-FA25VAH MUZ-FA35VAH
①	Drain socket	1	—
②	Quick clean kit	1	1

## 3

# SPECIFICATION

Outdoor model			MUZ-FA25VA MUZ-FA25VAH		MUZ-FA35VA MUZ-FA35VAH	
Function			Cooling	Heating	Cooling	Heating
Power supply			Single phase 230V,50Hz		Single phase 230V,50Hz	
Capacity	Capacity Rated frequency(Min.-Max.)	kW	2.5(0.9-3.2)	3.2(0.9-5.0)	3.5(1.0-4.1)	4.0(0.9-6.0)
	Dehumidification	ℓ /h	1.4	—	2.0	—
	Air flow *1	m <sup>3</sup> /h	2,058	1,938	2,004	
Electrical data	Power outlet	A	10		10	
	Running current *1	A	2.75	3.25	4.05	4.35
	Power input *1	W	562	702	902	962
	Power factor *1	%	89	94	97	96
	Starting current (Total) *1	A	3.5		4.6	
	Compressor motor current *1	A	2.44	2.97	3.72	4.02
	Fan motor current *1	A	0.31	0.28	0.33	0.33
Coefficient of performance(C.O.P) *1			4.20	4.35	3.74	4.02
Compressor	Model		KNB073FDVH		KNB092FCAH	
	Output	W	550		650	
	Winding resistance(at 20°C)	Ω	U-V 1.53	U-W 1.53	U-V 0.49	U-W 0.49
Fan motor	Model		RC0J50-AL		RC0J50-AL	
	Winding resistance(at 20°C)	Ω	WHT-BLK 37.5		WHT-BLK 37.5	
			BLK-RED 37.5		BLK-RED 37.5	
			RED-WHT 37.5		RED-WHT 37.5	
Dimensions W×H×D		mm	800×550×285		800×550×285	
Weight		kg	33		37	
Special remarks	Sound level *1	dB(A)	46		47	48
	Fan speed(High/Low, High/Med./Low)	rpm	810/750	880/810/650	840/760	880/800/630
	Fan speed regulator		2	3	2	3
	Refrigerant filling capacity(R410A)	kg	0.90		1.05	
	Refrigeration oil (Model)	cc	320 (NEO22)		320 (NEO22)	

NOTE : Test conditions are based on ISO 5151

Cooling : Indoor Dry-bulb temperature 27°C Wet-bulb temperature 19°C  
Outdoor Dry-bulb temperature 35°C Wet-bulb temperature(24°C)  
Heating : Indoor Dry-bulb temperature 20°C Wet-bulb temperature 15°C  
Outdoor Dry-bulb temperature 7°C Wet-bulb temperature 6°C

Refrigerant piping length (one way): 5m

\*1 Measured under rated operating frequency

## Specifications and rating conditions of main electric parts

Item \ Model	MUZ-FA25VA	MUZ-FA25VAH	MUZ-FA35VA	MUZ-FA35VAH
Current transformer (CT)	ETA19Z59BZ			
Current transformer (CT761, CT781)	ETQ19Z71AY			
Smoothing capacitor (C63A, C63B, C63C)	620 $\mu$ F 420V			
Diode module (DB61, DB65)	D25XB60			
Fuse (F61)	250V 20A			
Fuse (F71, F801, F901*)	250V 3.15A			
Defrost heater (H)	—	230V 130W	—	230V 130W
Intelligent power module (IPM)	PS21244-A-203			
Expansion valve coil (LEV)	CAD-MD12ME 12VDC			
Reactor (L61)	10A 23.0mH			
Current-detecting resistor (R61)	45m $\Omega$ 5W (1 element)		50m $\Omega$ 5W (2 elements)	
Current-detecting resistor (R831)	25m $\Omega$ 5W			
Current-limiting resistor (R64A, R64B)	5.1 $\Omega$ 5W			
Terminal block (TB1, TB2)	3P			
Relay (X63)	G5NB-1a			
Relay (X64)	G4A-1A-PS			
Relay (X66)	—	G5NB-1a	—	G5NB-1a
R.V. coil (21S4)	STF-01AJ503			
Heater protector (26H)	—	Open 45°C	—	Open 45°C

\* Refer to Page 3.



# 4

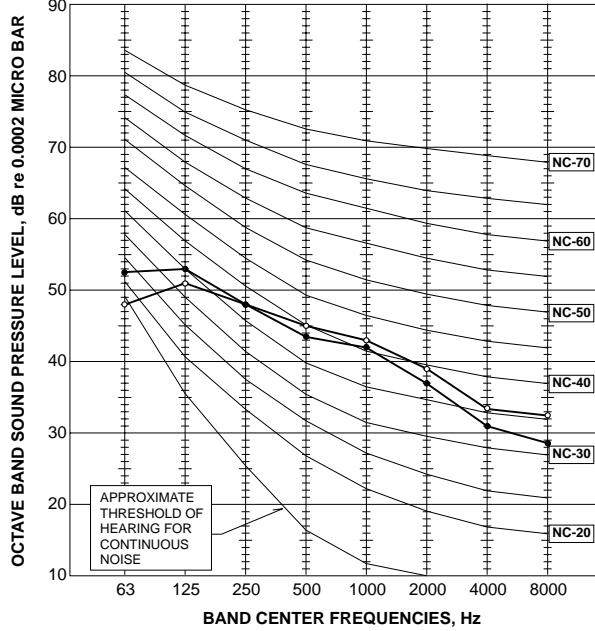
# NOISE CRITERIA CURVES

## MUZ-FA25VA MUZ-FA25VAH

FAN SPEED	FUNCTION	SPL(dB(A))	LINE
High Med.	COOLING	46	●—●
	HEATING	46	○—○

Test conditions

Cooling : Dry-bulb temperature 35°C Wet-bulb temperature (24°C)  
 Heating : Dry-bulb temperature 7°C Wet-bulb temperature 6°C

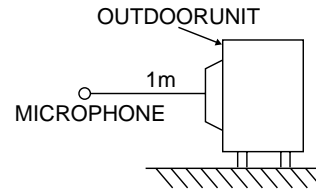
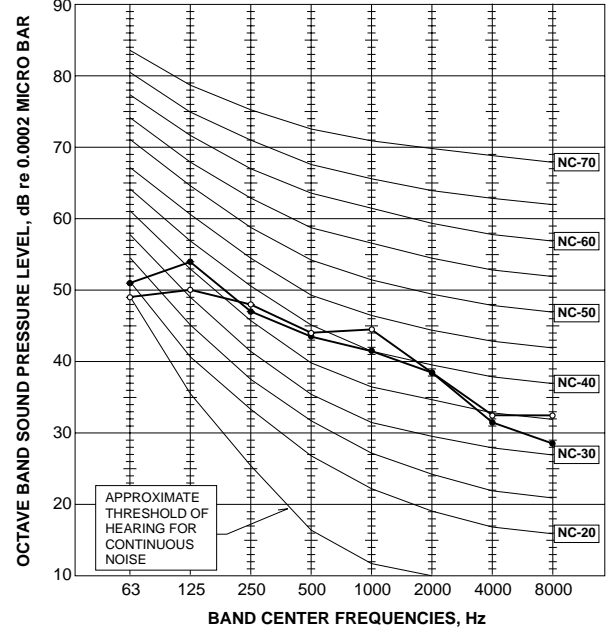


## MUZ-FA35VA MUZ-FA35VAH

FAN SPEED	FUNCTION	SPL(dB(A))	LINE
High Med.	COOLING	47	●—●
	HEATING	48	○—○

Test conditions

Cooling : Dry-bulb temperature 35°C Wet-bulb temperature (24°C)  
 Heating : Dry-bulb temperature 7°C Wet-bulb temperature 6°C

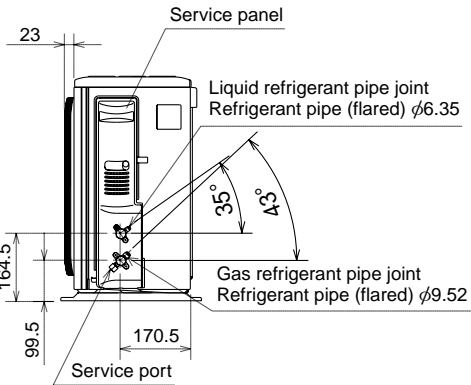
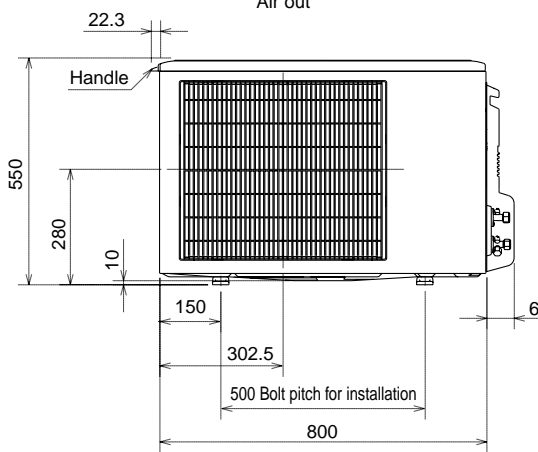
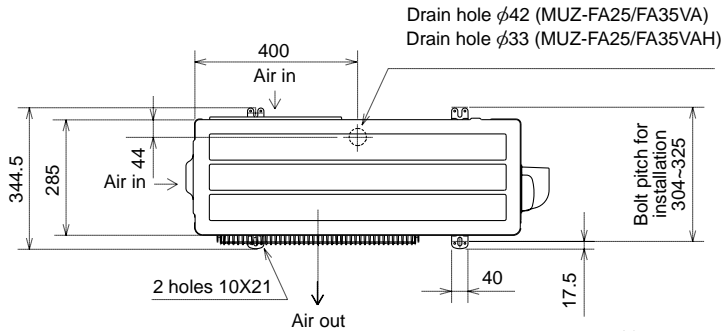


# 5

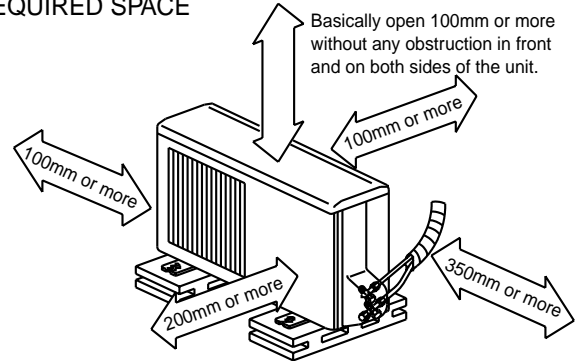
# OUTLINES AND DIMENSIONS

MUZ-FA25VA    MUZ-FA35VA  
 MUZ-FA25VAH    MUZ-FA35VAH

Unit: mm



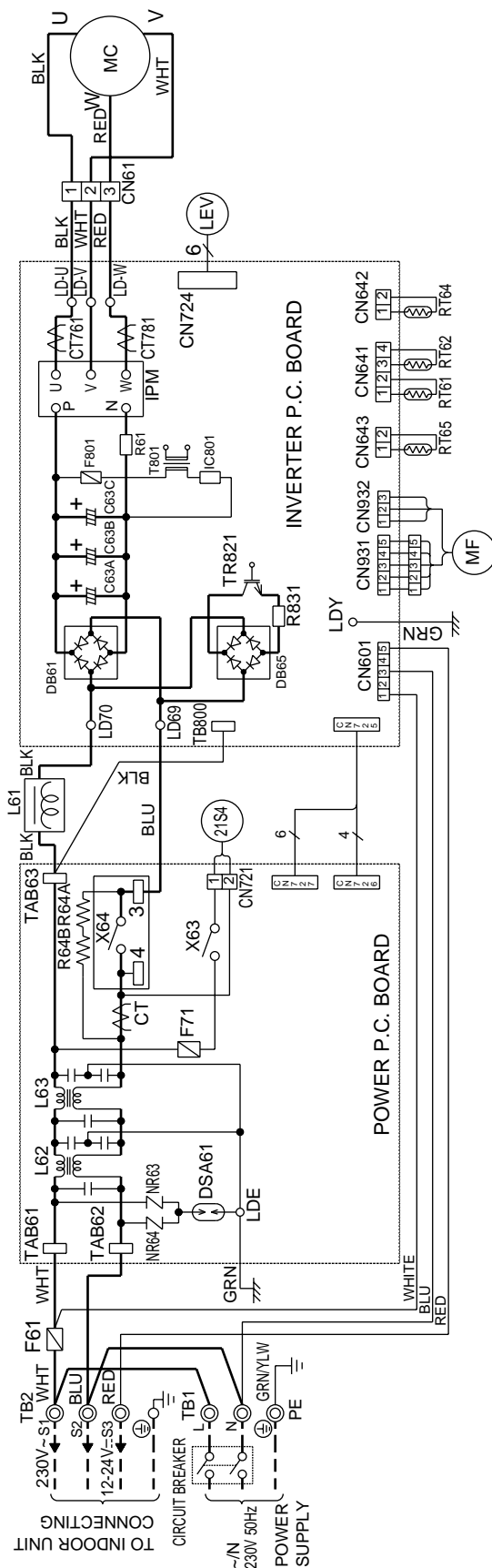
## REQUIRED SPACE



Open two sides of left, right, or rear side.

MUZ-FA25VA (Serial No : ~5002650T)

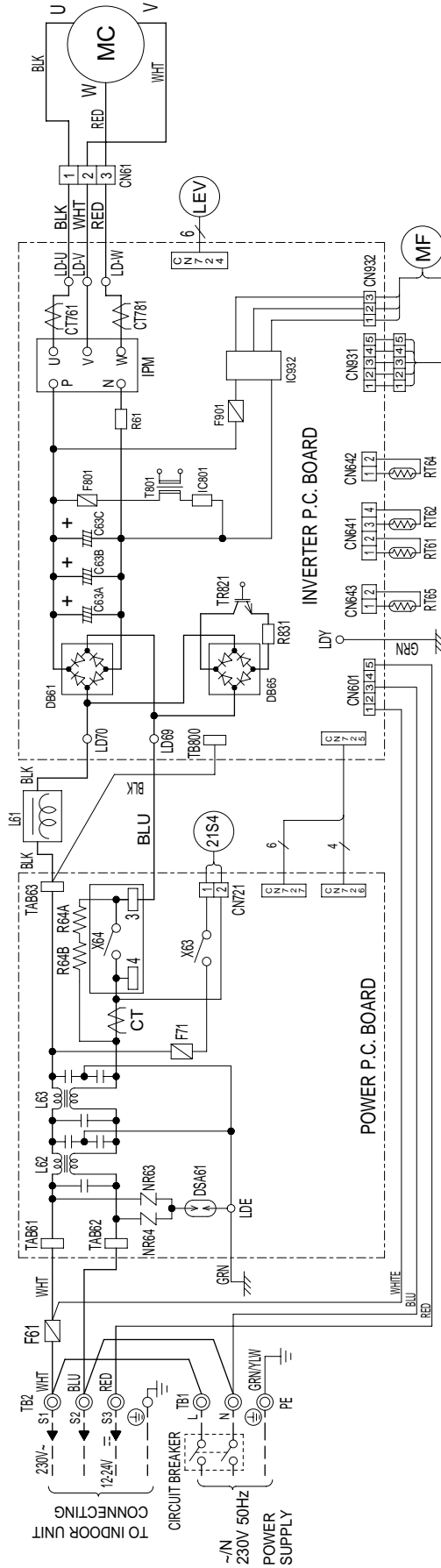
MUZ-FA35VA (Serial No : ~5003000T)



NOTE: 1. About the indoor side electric wiring refer to the indoor unit electric wiring diagram for servicing.  
 2. Use copper conductors only. (For field wiring)  
 3. Symbols below indicate.  
 ◎: Terminal block, □□□□: Connector

SYMBOL	NAME	SYMBOL	NAME	SYMBOL	NAME
CT761,C781	CURRENT TRANSFORMER	L61	REACTOR	R61,R831	CURRENT-DETECTING RESISTOR
C63A,C63B,C63C	SMOOTHING CAPACITOR	L62,L63	CMC COIL	R64A,R64B	CURRENT-LIMITING RESISTOR
DB61,DB65	DIODE MODULE	MC	COMPRESSOR	TB1,TB2	TERMINAL BLOCK
DSA61	SURGE ABSORBER	MF	OUTDOOR FAN MOTOR	TR821	SWITCHING POWER TRANSISTOR
F61	FUSE (T20AL250V)	NR63,NR64	VARIATOR	T801	TRANSFORMER
F71,F801	FUSE (T3.15AL250V)	RT61	DEFROST THERMISTOR	X63,X64	RELAY
IC801	INTELLIGENT POWER DEVICE	RT62	DISCHARGE TEMPERATURE THERMISTOR	21S4	R.V. COIL
IPM	INTELLIGENT POWER MODULE	RT64	FIN TEMPERATURE THERMISTOR		
LEV	EXPANSION VALVE COIL	RT65	AMBIENT TEMPERATURE THERMISTOR		

**MUZ-FA25VA (Serial No : 5002651T~)**  
**MUZ-FA35VA (Serial No : 5003001T~)**



NOTE:1. About the indoor side electric wiring refer to the indoor unit electric wiring diagram for servicing.

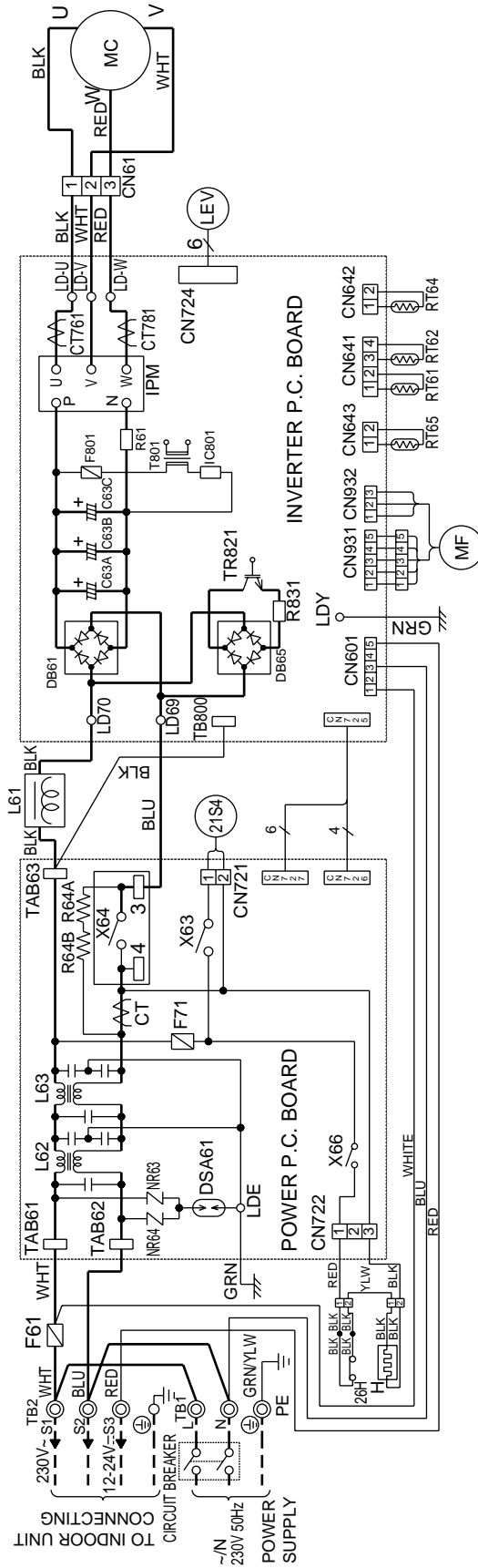
2. Use copper conductors only. (For field wiring)

3. Symbols below indicate.

⊙: Terminal block, □□□□: Connector

SYMBOL	NAME	SYMBOL	NAME	SYMBOL	NAME
CT,CT761,CT781	CURRENT TRANSFORMER	L61	REACTOR	R61,R831	CURRENT-DETECTING RESISTOR
C63A,C63B,C63C	SMOOTHING CAPACITOR	L62,L63	CMC COIL	R64A,R64B	CURRENT-LIMITING RESISTOR
DB61,DB65	DIODE MODULE	MC	COMPRESSOR	TB1,TB2	TERMINAL BLOCK
DSA61	SURGE ABSORBER	MF	OUTDOOR FAN MOTOR	TR821	SWITCHING POWER TRANSISTOR
F61	FUSE (T20AL250V)	NR63,NR64	VARIABLE	T801	TRANSFORMER
F71,F801,F901	FUSE (T3.15AL250V)	RT61	DEFROST THERMISTOR	X63,X64	RELAY
IC801	INTELLIGENT POWER DEVICE	RT62	DISCHARGE TEMPERATURE THERMISTOR	21S4	R.V. COIL
IPM,IC932	INTELLIGENT POWER MODULE	RT64	FIN TEMPERATURE THERMISTOR		
LEV	EXPANSION VALVE COIL	RT65	AMBIENT TEMPERATURE THERMISTOR		

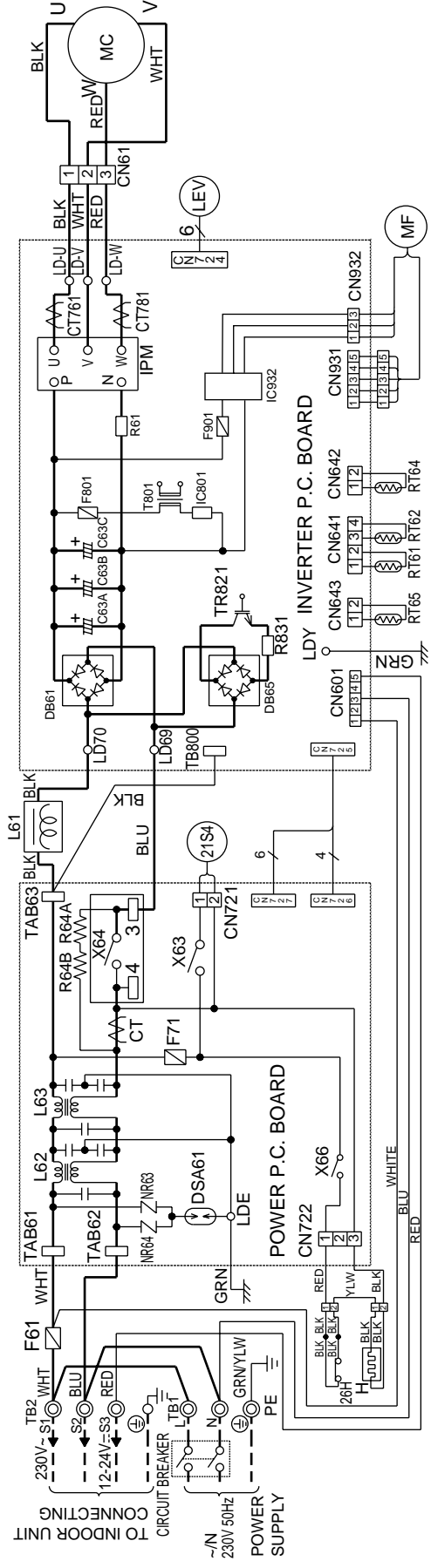
**MUZ-FA25VAH (Serial No : ~ 5000400T)**  
**MUZ-FA35VAH (Serial No : ~ 5000400T)**



NOTE: 1. About the indoor side electric wiring refer to the indoor unit electric wiring diagram for servicing.  
 2. Use copper conductors only. (For field wiring)  
 3. Symbols below indicate.  
 ◎: Terminal block, □□□□: Connector

SYMBOL	NAME	SYMBOL	NAME	SYMBOL	NAME
CT,CT761,CT781	CURRENT TRANSFORMER	L61	REACTOR	R64A,R64B	CURRENT-LIMITING RESISTOR
C63A,C63B,C63C	SMOOTHING CAPACITOR	L62,L63	CMC COIL	TB1,TB2	TERMINAL BLOCK
DB61,DB65	DIODE MODULE	MC	COMPRESSOR	TR821	SWITCHING POWER TRANSISTOR
DSA61	SURGE ABSORBER	MF	OUTDOOR FAN MOTOR	T801	TRANSFORMER
F61	FUSE (T20AL250V)	NR63,NR64	VARIATOR	X63,X64,X66	RELAY
F71,F801	FUSE (T3.15AL250V)	RT61	DEFROST THERMISTOR	21S4	R. V. COIL
H	DEFROST HEATER	RT62	DISCHARGE TEMPERATURE THERMISTOR	26H	HEATER PROTECTOR
IC801	INTELLIGENT POWER DEVICE	RT64	FIN TEMPERATURE THERMISTOR		
IPM	INTELLIGENT POWER MODULE	RT65	AMBIENT TEMPERATURE THERMISTOR		
LEV	EXPANSION VALVE COIL	R61,R831	CURRENT-DETECTING RESISTOR		

**MUZ-FA25VAH (Serial No : 5000401T ~)**  
**MUZ-FA35VAH (Serial No : 5000401T ~)**

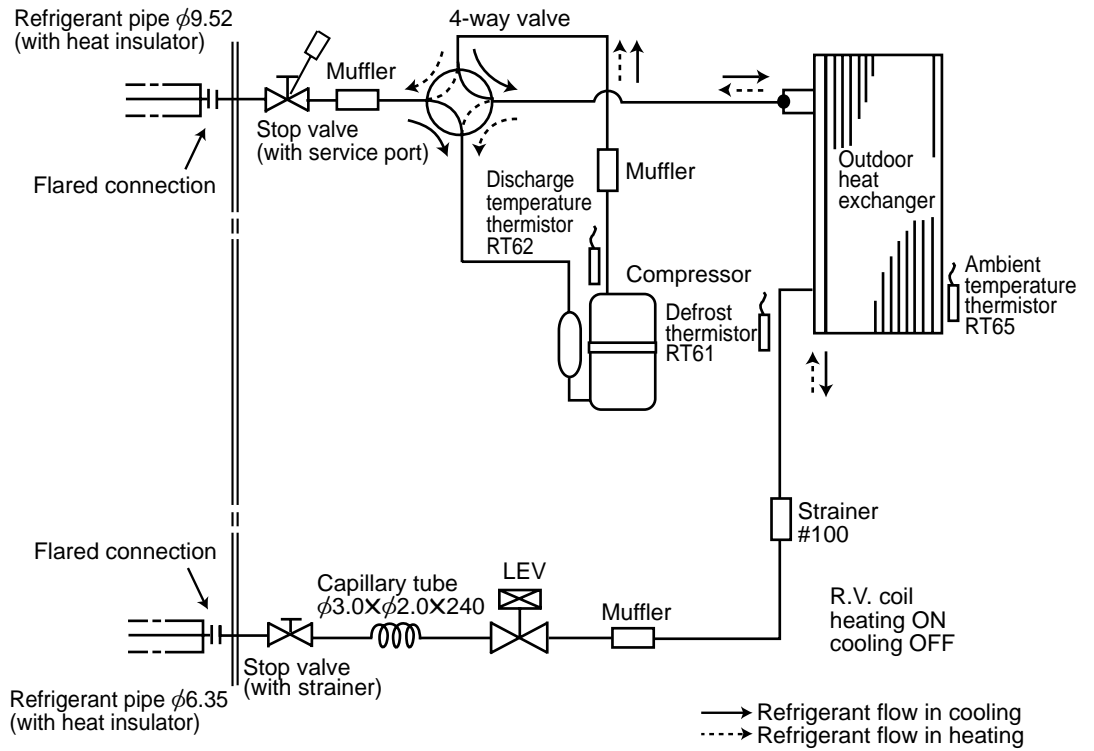


NOTE: 1. About the indoor side electric wiring refer to the indoor unit electric wiring diagram for servicing.  
 2. Use copper conductors only. (For field wiring)  
 3. Symbols below indicate.  
 ○: Terminal block, □□□□: Connector

SYMBOL	NAME	SYMBOL	NAME	SYMBOL	NAME
CT,CT761,CT781	CURRENT TRANSFORMER	L61	REACTOR	R64A,R64B	CURRENT-LIMITING RESISTOR
C63A,C63B,C63C	SMOOTHING CAPACITOR	L62,L63	CMC COIL	TB1,TB2	TERMINAL BLOCK
DB61,DB65	DIODE MODULE	MC	COMPRESSOR	TR821	SWITCHING POWER TRANSISTOR
DSA61	SURGE ABSORBER	MF	OUTDOOR FAN MOTOR	T801	TRANSFORMER
F61	FUSE (T20AL250V)	NR63,NR64	VARIABLE	X63,X64,X66	RELAY
F71,F801,F901	FUSE (T3.15AL250V)	RT61	DEFROST THERMISTOR	21S4	R.V. COIL
H	DEFROST HEATER	RT62	DISCHARGE TEMPERATURE THERMISTOR	26H	HEATER PROTECTOR
IC801	INTELLIGENT POWER DEVICE	RT64	FIN TEMPERATURE THERMISTOR		
IPM,IC932	INTELLIGENT POWER MODULE	RT65	AMBIENT TEMPERATURE THERMISTOR		
LEV	EXPANSION VALVE COIL	R61,R831	CURRENT-DETECTING RESISTOR		

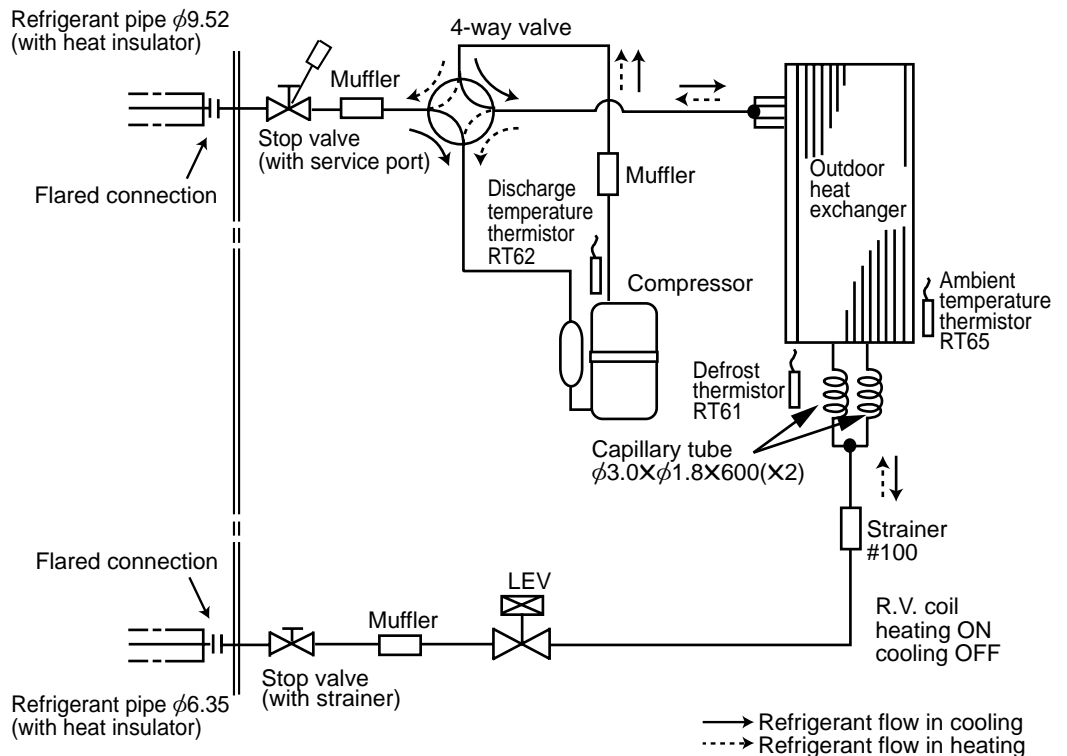
MUZ-FA25VA  
MUZ-FA25VAH

Unit:mm



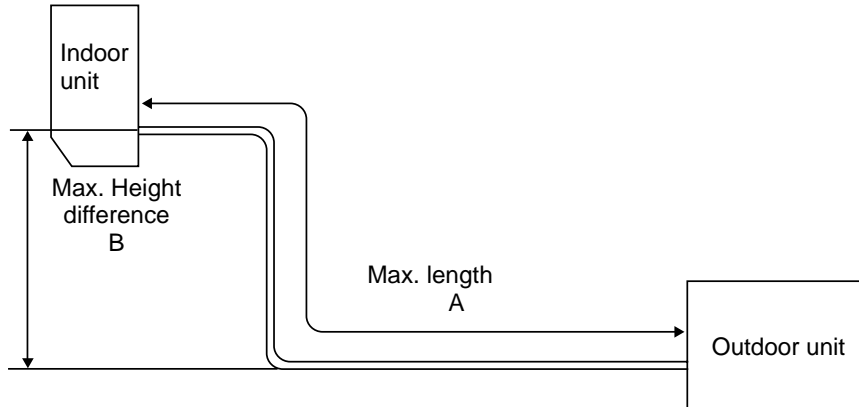
MUZ-FA35VA  
MUZ-FA35VAH

Unit:mm



## MAX. REFRIGERANT PIPING LENGTH and MAX. HEIGHT DIFFERENCE

Model	Refrigerant piping : m		Piping size O.D : mm	
	Max. length	Max. Height difference	Gas	Liquid
	A	B		
MUZ-FA25VA MUZ-FA25VAH MUZ-FA35VA MUZ-FA35VAH	20	12	9.52	6.35



## ADDITIONAL REFRIGERANT CHARGE (R410A:g)

Model	Outdoor unit precharged	Refrigerant piping length (one way)											
		5m	6m	7m	8m	9m	10m	11m	12m	13m	14m	15m	20m
MUZ-FA25VA MUZ-FA25VAH	900	0	0	0	90	120	150	180	210	240	270	300	450
MUZ-FA35VA MUZ-FA35VAH	1,050												

Calculation :  $Xg=30g/m \times (\text{Refrigerant piping length}(m) - 5)$

**Note :** Refrigerant piping exceeding 7m requires additional refrigerant charge according to the calculation.



**MUZ-FA25VA MUZ-FA35VA  
MUZ-FA25VAH MUZ-FA35VAH**

The standard data contained in these specifications apply only to the operation of the air conditioner under normal conditions. Since operating conditions vary according to the areas where these units are installed, the following information has been provided to clarify the operating characteristics of the air conditioner under the conditions indicated by the performance curve.

**(1) GUARANTEED VOLTAGE**

198 ~ 264V, 50Hz

**(2) AIR FLOW**

Air flow should be set at MAX.

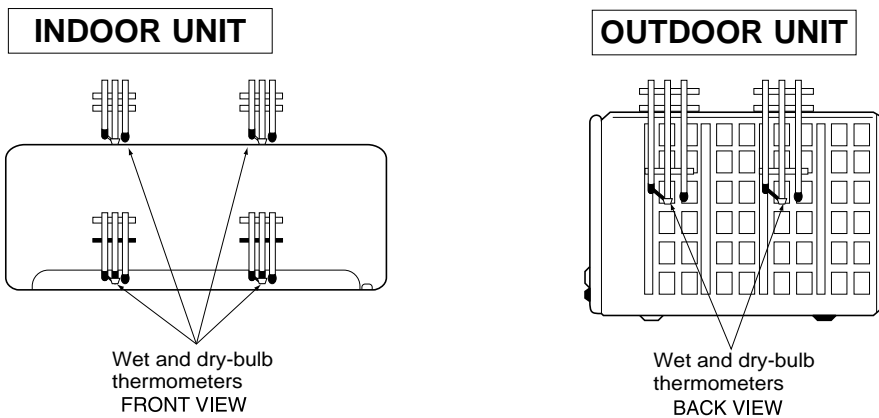
**(3) MAIN READINGS**

- |   |       |           |
|---|-------|-----------|
| (1) Indoor intake air wet-bulb temperature :  | °C WB | } Cooling |
| (2) Indoor outlet air wet-bulb temperature :  | °C WB |           |
| (3) Outdoor intake air dry-bulb temperature : | °C DB |           |
| (4) Total input:                              | W     | } Heating |
| (5) Indoor intake air dry-bulb temperature :  | °C DB |           |
| (6) Outdoor intake air wet-bulb temperature : | °C WB |           |
| (7) Total input :                             | W     |           |

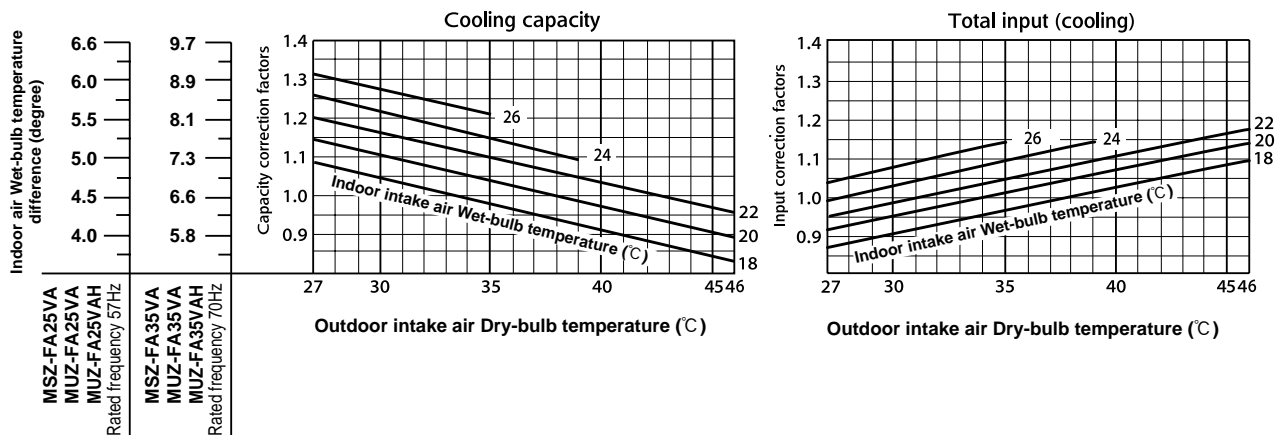
Indoor air wet/dry-bulb temperature difference on the left side of the following chart shows the difference between the indoor intake air wet/dry-bulb temperature and the indoor outlet air wet/dry-bulb temperature for your reference at service.

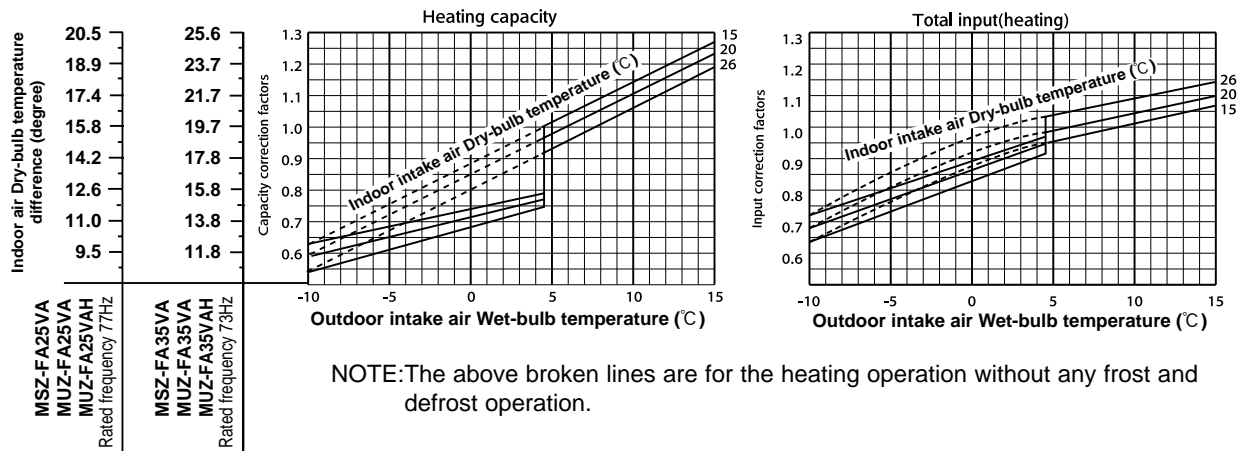
**How to measure the indoor air wet-bulb / dry-bulb temperature difference**

1. Attach at least 2 sets of wet and dry-bulb thermometers to the indoor air intake as shown in the figure, and at least 2 sets of wet and dry-bulb thermometers to the indoor air outlet. The thermometers must be attached to the position where air speed is high.
2. Attach at least 2 sets of wet and dry-bulb thermometers to the outdoor air intake. Cover the thermometers to prevent direct rays of the sun.
3. Check that the air filter is cleaned.
4. Open windows and doors of room.
5. Press the EMERGENCY OPERATION switch once (twice) to start the EMERGENCY COOL (HEAT) MODE.
6. When system stabilizes after more than 15 minutes, measure temperature and take an average temperature.
7. 10 minutes later, measure temperature again and check that the temperature does not change.

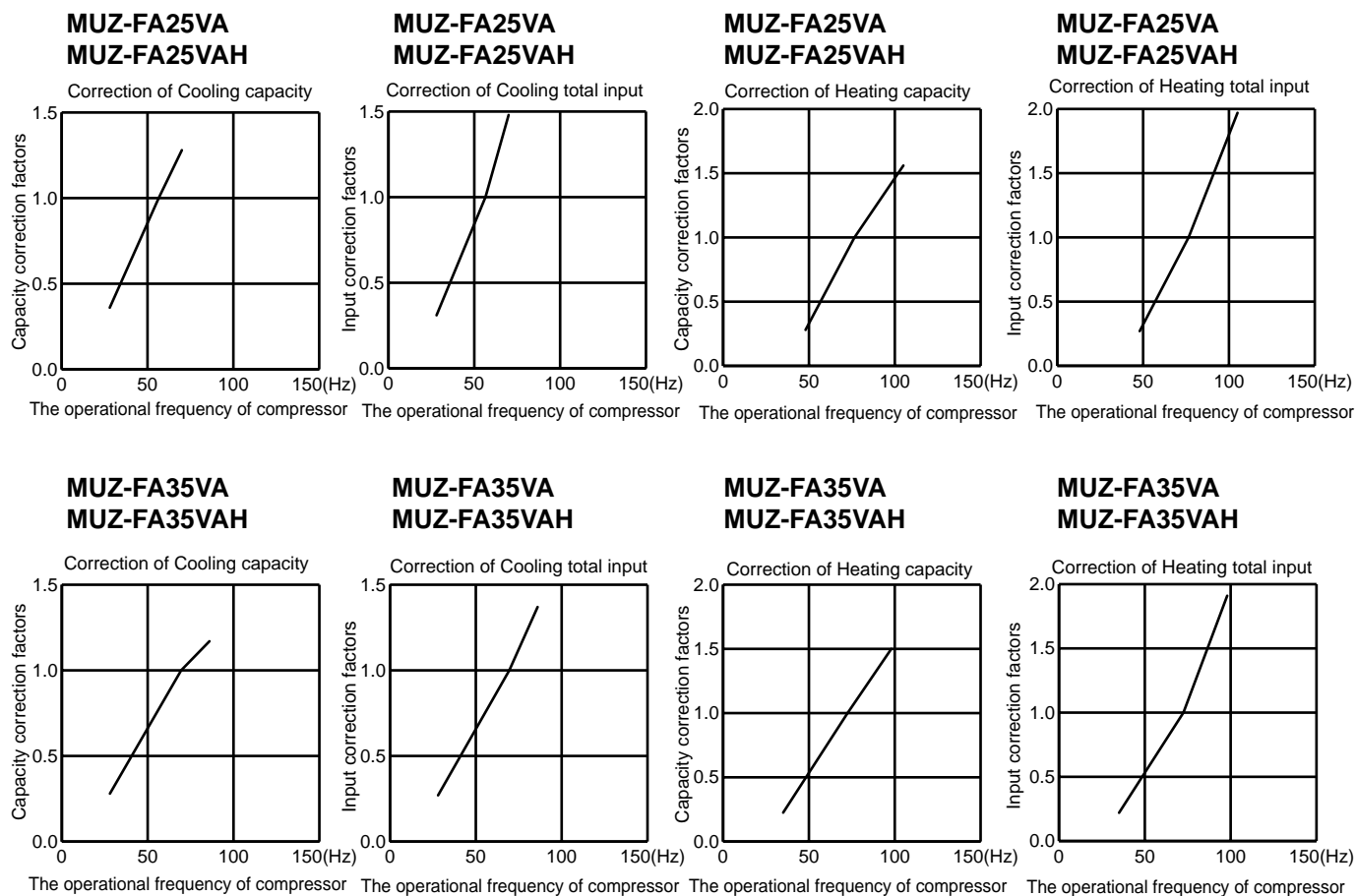


**8-1. Capacity and the input curves**





### 8-2. Capacity and input correction by operational frequency of compressor



### 8-3. Test run operation (How to operate fixed-frequency operation)

1. Press EMERGENCY OPERATION switch to COOL or HEAT mode (COOL : Press once, HEAT : Press twice).
2. Test run operation starts and continues to operate for 30 minutes.
3. Compressor operates at rated frequency in COOL mode or 58Hz in HEAT mode.
4. Indoor fan operates at High speed.
5. After 30 minutes, test run operation finishes and EMERGENCY OPERATION starts (Operation frequency of compressor varies).
6. To cancel test run operation (EMERGENCY OPERATION), press EMERGENCY OPERATION switch or any button on remote controller.

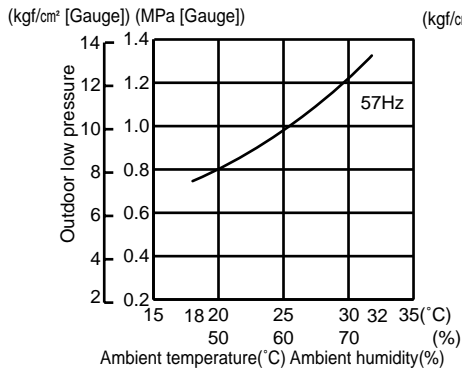
## 8-4. Outdoor low pressure and outdoor unit current

### COOL operation

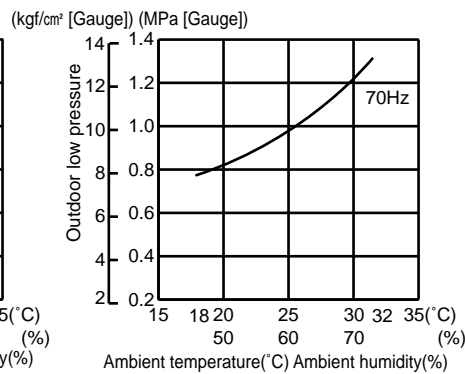
- ① Both indoor and outdoor unit are under the same temperature/humidity condition.  
 ② Operation : TEST RUN OPERATION (refer to 8-3.)

Dry-bulb temperature(°C)	Relative humidity(%)
20	50
25	60
30	70

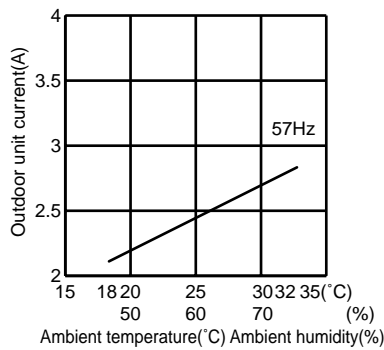
**MUZ-FA25VA  
MUZ-FA25VAH**



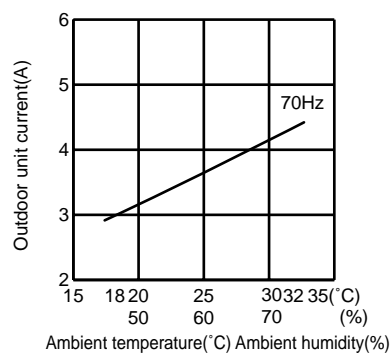
**MUZ-FA35VA  
MUZ-FA35VAH**



**MUZ-FA25VA  
MUZ-FA25VAH**



**MUZ-FA35VA  
MUZ-FA35VAH**



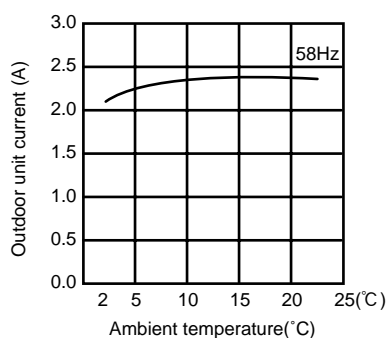
### HEAT operation

① Condition :

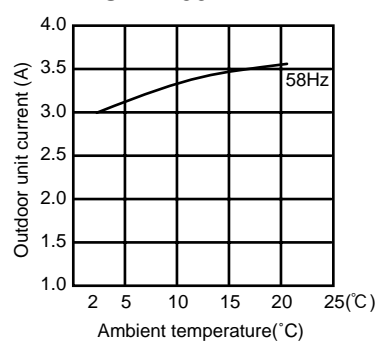
	Indoor	Outdoor			
Dry bulb temperature (°C)	20.0	2	7	15	20.0
Wet bulb temperature (°C)	14.5	1	6	12	14.5

- ② Operation : TEST RUN OPERATION (refer to 8-3.)

**MUZ-FA25VA  
MUZ-FA25VAH**



**MUZ-FA35VA  
MUZ-FA35VAH**



**PERFORMANCE DATA COOL operation Rated frequency 57Hz**

**MSZ-FA25VA : MUZ-FA25VA MUZ-FA25VAH**

CAPACITY:2.5(kW) SHF:0.79 INPUT:595(W)

		OUTDOOR DB(°C)															
INDOOR DB(°C)	INDOOR WB(°C)	21				25				27				30			
		Q	SHC	SHF	INPUT	Q	SHC	SHF	INPUT	Q	SHC	SHF	INPUT	Q	SHC	SHF	INPUT
21	18	2.94	1.79	0.61	476	2.81	1.72	0.61	500	2.70	1.65	0.61	524	2.60	1.59	0.61	547
21	20	3.06	1.50	0.49	500	2.94	1.44	0.49	530	2.85	1.40	0.49	541	2.75	1.35	0.49	565
22	18	2.94	1.91	0.65	476	2.81	1.83	0.65	500	2.70	1.76	0.65	524	2.60	1.69	0.65	547
22	20	3.06	1.62	0.53	500	2.94	1.56	0.53	530	2.85	1.51	0.53	541	2.75	1.46	0.53	565
22	22	3.19	1.31	0.41	518	3.08	1.26	0.41	550	3.00	1.23	0.41	565	2.88	1.18	0.41	589
23	18	2.94	2.03	0.69	476	2.81	1.94	0.69	500	2.70	1.86	0.69	524	2.60	1.79	0.69	547
23	20	3.06	1.75	0.57	500	2.94	1.67	0.57	530	2.85	1.62	0.57	541	2.75	1.57	0.57	565
23	22	3.19	1.43	0.45	518	3.08	1.38	0.45	550	3.00	1.35	0.45	565	2.88	1.29	0.45	589
24	18	2.94	2.14	0.73	476	2.81	2.05	0.73	500	2.70	1.97	0.73	524	2.60	1.90	0.73	547
24	20	3.06	1.87	0.61	500	2.94	1.79	0.61	530	2.85	1.74	0.61	541	2.75	1.68	0.61	565
24	22	3.19	1.56	0.49	518	3.08	1.51	0.49	550	3.00	1.47	0.49	565	2.88	1.41	0.49	589
24	24	3.35	1.24	0.37	541	3.23	1.19	0.37	571	3.15	1.17	0.37	589	3.05	1.13	0.37	619
25	18	2.94	2.26	0.77	476	2.81	2.17	0.77	500	2.70	2.08	0.77	524	2.60	2.00	0.77	547
25	20	3.06	1.99	0.65	500	2.94	1.91	0.65	530	2.85	1.85	0.65	541	2.75	1.79	0.65	565
25	22	3.19	1.69	0.53	518	3.08	1.63	0.53	550	3.00	1.59	0.53	565	2.88	1.52	0.53	589
25	24	3.35	1.37	0.41	541	3.23	1.32	0.41	571	3.15	1.29	0.41	589	3.05	1.25	0.41	619
26	18	2.94	2.38	0.81	476	2.81	2.28	0.81	500	2.70	2.19	0.81	524	2.60	2.11	0.81	547
26	20	3.06	2.11	0.69	500	2.94	2.03	0.69	530	2.85	1.97	0.69	541	2.75	1.90	0.69	565
26	22	3.19	1.82	0.57	518	3.08	1.75	0.57	550	3.00	1.71	0.57	565	2.88	1.64	0.57	589
26	24	3.35	1.51	0.45	541	3.23	1.45	0.45	571	3.15	1.42	0.45	589	3.05	1.37	0.45	619
26	26	3.45	1.14	0.33	571	3.35	1.11	0.33	601	3.30	1.09	0.33	619	3.20	1.06	0.33	637
27	18	2.94	2.50	0.85	476	2.81	2.39	0.85	500	2.70	2.30	0.85	524	2.60	2.21	0.85	547
27	20	3.06	2.24	0.73	500	2.94	2.14	0.73	530	2.85	2.08	0.73	541	2.75	2.01	0.73	565
27	22	3.19	1.94	0.61	518	3.08	1.88	0.61	550	3.00	1.83	0.61	565	2.88	1.75	0.61	589
27	24	3.35	1.64	0.49	541	3.23	1.58	0.49	571	3.15	1.54	0.49	589	3.05	1.49	0.49	619
27	26	3.45	1.28	0.37	571	3.35	1.24	0.37	601	3.30	1.22	0.37	619	3.20	1.18	0.37	637
28	18	2.94	2.61	0.89	476	2.81	2.50	0.89	500	2.70	2.40	0.89	524	2.60	2.31	0.89	547
28	20	3.06	2.36	0.77	500	2.94	2.26	0.77	530	2.85	2.19	0.77	541	2.75	2.12	0.77	565
28	22	3.19	2.07	0.65	518	3.08	2.00	0.65	550	3.00	1.95	0.65	565	2.88	1.87	0.65	589
28	24	3.35	1.78	0.53	541	3.23	1.71	0.53	571	3.15	1.67	0.53	589	3.05	1.62	0.53	619
28	26	3.45	1.41	0.41	571	3.35	1.37	0.41	601	3.30	1.35	0.41	619	3.20	1.31	0.41	637
29	18	2.94	2.73	0.93	476	2.81	2.62	0.93	500	2.70	2.51	0.93	524	2.60	2.42	0.93	547
29	20	3.06	2.48	0.81	500	2.94	2.38	0.81	530	2.85	2.31	0.81	541	2.75	2.23	0.81	565
29	22	3.19	2.20	0.69	518	3.08	2.12	0.69	550	3.00	2.07	0.69	565	2.88	1.98	0.69	589
29	24	3.35	1.91	0.57	541	3.23	1.84	0.57	571	3.15	1.80	0.57	589	3.05	1.74	0.57	619
29	26	3.45	1.55	0.45	571	3.35	1.51	0.45	601	3.30	1.49	0.45	619	3.20	1.44	0.45	637
30	18	2.94	2.85	0.97	476	2.81	2.73	0.97	500	2.70	2.62	0.97	524	2.60	2.52	0.97	547
30	20	3.06	2.60	0.85	500	2.94	2.50	0.85	530	2.85	2.42	0.85	541	2.75	2.34	0.85	565
30	22	3.19	2.33	0.73	518	3.08	2.24	0.73	550	3.00	2.19	0.73	565	2.88	2.10	0.73	589
30	24	3.35	2.04	0.61	541	3.23	1.97	0.61	571	3.15	1.92	0.61	589	3.05	1.86	0.61	619
30	26	3.45	1.69	0.49	571	3.35	1.64	0.49	601	3.30	1.62	0.49	619	3.20	1.57	0.49	637
31	18	2.94	2.97	1.01	476	2.81	2.84	1.01	500	2.70	2.73	1.01	524	2.60	2.63	1.01	547
31	20	3.06	2.73	0.89	500	2.94	2.61	0.89	530	2.85	2.54	0.89	541	2.75	2.45	0.89	565
31	22	3.19	2.45	0.77	518	3.08	2.37	0.77	550	3.00	2.31	0.77	565	2.88	2.21	0.77	589
31	24	3.35	2.18	0.65	541	3.23	2.10	0.65	571	3.15	2.05	0.65	589	3.05	1.98	0.65	619
31	26	3.45	1.83	0.53	571	3.35	1.78	0.53	601	3.30	1.75	0.53	619	3.20	1.70	0.53	637
32	18	2.94	3.08	1.05	476	2.81	2.95	1.05	500	2.70	2.84	1.05	524	2.60	2.73	1.05	547
32	20	3.06	2.85	0.93	500	2.94	2.73	0.93	530	2.85	2.65	0.93	541	2.75	2.56	0.93	565
32	22	3.19	2.58	0.81	518	3.08	2.49	0.81	550	3.00	2.43	0.81	565	2.88	2.33	0.81	589
32	24	3.35	2.31	0.69	541	3.23	2.23	0.69	571	3.15	2.17	0.69	589	3.05	2.10	0.69	619
32	26	3.45	1.97	0.57	571	3.35	1.91	0.57	601	3.30	1.88	0.57	619	3.20	1.82	0.57	637

**NOTE** Q : Total capacity (kW) SHF : Sensible heat factor DB : Dry-bulb temperature  
 SHC : Sensible heat capacity (kW) INPUT : Total power input (W) WB : Wet-bulb temperature

**PERFORMANCE DATA COOL operation Rated frequency 57Hz**

**MSZ-FA25VA : MUZ-FA25VA MUZ-FA25VAH**

CAPACITY:2.5(kW) SHF:0.79 INPUT:595(W)

		OUTDOOR DB(°C)											
INDOOR DB (°C)	INDOOR WB (°C)	35				40				46			
		Q	SHC	SHF	INPUT	Q	SHC	SHF	INPUT	Q	SHC	SHF	INPUT
21	18	2.45	1.49	0.61	583	2.25	1.37	0.61	619	2.08	1.27	0.61	643
21	20	2.58	1.26	0.49	607	2.40	1.18	0.49	637	2.23	1.09	0.49	672
22	18	2.45	1.59	0.65	583	2.25	1.46	0.65	619	2.08	1.35	0.65	643
22	20	2.58	1.36	0.53	607	2.40	1.27	0.53	637	2.23	1.18	0.53	672
22	22	2.73	1.12	0.41	631	2.55	1.05	0.41	666	2.38	0.97	0.41	690
23	18	2.45	1.69	0.69	583	2.25	1.55	0.69	619	2.08	1.43	0.69	643
23	20	2.58	1.47	0.57	607	2.40	1.37	0.57	637	2.23	1.27	0.57	672
23	22	2.73	1.23	0.45	631	2.55	1.15	0.45	666	2.38	1.07	0.45	690
24	18	2.45	1.79	0.73	583	2.25	1.64	0.73	619	2.08	1.51	0.73	643
24	20	2.58	1.57	0.61	607	2.40	1.46	0.61	637	2.23	1.36	0.61	672
24	22	2.73	1.34	0.49	631	2.55	1.25	0.49	666	2.38	1.16	0.49	690
24	24	2.88	1.06	0.37	655	2.70	1.00	0.37	684	2.55	0.94	0.37	714
25	18	2.45	1.89	0.77	583	2.25	1.73	0.77	619	2.08	1.60	0.77	643
25	20	2.58	1.67	0.65	607	2.40	1.56	0.65	637	2.23	1.45	0.65	672
25	22	2.73	1.44	0.53	631	2.55	1.35	0.53	666	2.38	1.26	0.53	690
25	24	2.88	1.18	0.41	655	2.70	1.11	0.41	684	2.55	1.05	0.41	714
26	18	2.45	1.98	0.81	583	2.25	1.82	0.81	619	2.08	1.68	0.81	643
26	20	2.58	1.78	0.69	607	2.40	1.66	0.69	637	2.23	1.54	0.69	672
26	22	2.73	1.55	0.57	631	2.55	1.45	0.57	666	2.38	1.35	0.57	690
26	24	2.88	1.29	0.45	655	2.70	1.22	0.45	684	2.55	1.15	0.45	714
26	26	3.03	1.00	0.33	678	2.85	0.94	0.33	708	2.68	0.88	0.33	738
27	18	2.45	2.08	0.85	583	2.25	1.91	0.85	619	2.08	1.76	0.85	643
27	20	2.58	1.88	0.73	607	2.40	1.75	0.73	637	2.23	1.62	0.73	672
27	22	2.73	1.66	0.61	631	2.55	1.56	0.61	666	2.38	1.45	0.61	690
27	24	2.88	1.41	0.49	655	2.70	1.32	0.49	684	2.55	1.25	0.49	714
27	26	3.03	1.12	0.37	678	2.85	1.05	0.37	708	2.68	0.99	0.37	738
28	18	2.45	2.18	0.89	583	2.25	2.00	0.89	619	2.08	1.85	0.89	643
28	20	2.58	1.98	0.77	607	2.40	1.85	0.77	637	2.23	1.71	0.77	672
28	22	2.73	1.77	0.65	631	2.55	1.66	0.65	666	2.38	1.54	0.65	690
28	24	2.88	1.52	0.53	655	2.70	1.43	0.53	684	2.55	1.35	0.53	714
28	26	3.03	1.24	0.41	678	2.85	1.17	0.41	708	2.68	1.10	0.41	738
29	18	2.45	2.28	0.93	583	2.25	2.09	0.93	619	2.08	1.93	0.93	643
29	20	2.58	2.09	0.81	607	2.40	1.94	0.81	637	2.23	1.80	0.81	672
29	22	2.73	1.88	0.69	631	2.55	1.76	0.69	666	2.38	1.64	0.69	690
29	24	2.88	1.64	0.57	655	2.70	1.54	0.57	684	2.55	1.45	0.57	714
29	26	3.03	1.36	0.45	678	2.85	1.28	0.45	708	2.68	1.20	0.45	738
30	18	2.45	2.38	0.97	583	2.25	2.18	0.97	619	2.08	2.01	0.97	643
30	20	2.58	2.19	0.85	607	2.40	2.04	0.85	637	2.23	1.89	0.85	672
30	22	2.73	1.99	0.73	631	2.55	1.86	0.73	666	2.38	1.73	0.73	690
30	24	2.88	1.75	0.61	655	2.70	1.65	0.61	684	2.55	1.56	0.61	714
30	26	3.03	1.48	0.49	678	2.85	1.40	0.49	708	2.68	1.31	0.49	738
31	18	2.45	2.47	1.01	583	2.25	2.27	1.01	619	2.08	2.10	1.01	643
31	20	2.58	2.29	0.89	607	2.40	2.14	0.89	637	2.23	1.98	0.89	672
31	22	2.73	2.10	0.77	631	2.55	1.96	0.77	666	2.38	1.83	0.77	690
31	24	2.88	1.87	0.65	655	2.70	1.76	0.65	684	2.55	1.66	0.65	714
31	26	3.03	1.60	0.53	678	2.85	1.51	0.53	708	2.68	1.42	0.53	738
32	18	2.45	2.57	1.05	583	2.25	2.36	1.05	619	2.08	2.18	1.05	643
32	20	2.58	2.39	0.93	607	2.40	2.23	0.93	637	2.23	2.07	0.93	672
32	22	2.73	2.21	0.81	631	2.55	2.07	0.81	666	2.38	1.92	0.81	690
32	24	2.88	1.98	0.69	655	2.70	1.86	0.69	684	2.55	1.76	0.69	714
32	26	3.03	1.72	0.57	678	2.85	1.62	0.57	708	2.68	1.52	0.57	738

**NOTE** Q : Total capacity (kW) SHF : Sensible heat factor DB : Dry-bulb temperature  
 SHC : Sensible heat capacity (kW) INPUT : Total power input (W) WB : Wet-bulb temperature

**PERFORMANCE DATA COOL operation Rated frequency 70Hz**

**MSZ-FA35VA : MUZ-FA35VA MUZ-FA35VAH**

CAPACITY:3.5(kW) SHF:0.76 INPUT:935(W)

		OUTDOOR DB(°C)															
INDOOR DB(°C)	INDOOR WB(°C)	21				25				27				30			
		Q	SHC	SHF	INPUT	Q	SHC	SHF	INPUT	Q	SHC	SHF	INPUT	Q	SHC	SHF	INPUT
21	18	4.11	2.39	0.58	748	3.94	2.28	0.58	785	3.78	2.19	0.58	823	3.64	2.11	0.58	860
21	20	4.29	1.97	0.46	785	4.11	1.89	0.46	832	3.99	1.84	0.46	851	3.85	1.77	0.46	888
22	18	4.11	2.55	0.62	748	3.94	2.44	0.62	785	3.78	2.34	0.62	823	3.64	2.26	0.62	860
22	20	4.29	2.14	0.50	785	4.11	2.06	0.50	832	3.99	2.00	0.50	851	3.85	1.93	0.50	888
22	22	4.46	1.70	0.38	813	4.31	1.64	0.38	865	4.20	1.60	0.38	888	4.03	1.53	0.38	926
23	18	4.11	2.71	0.66	748	3.94	2.60	0.66	785	3.78	2.49	0.66	823	3.64	2.40	0.66	860
23	20	4.29	2.32	0.54	785	4.11	2.22	0.54	832	3.99	2.15	0.54	851	3.85	2.08	0.54	888
23	22	4.46	1.87	0.42	813	4.31	1.81	0.42	865	4.20	1.76	0.42	888	4.03	1.69	0.42	926
24	18	4.11	2.88	0.70	748	3.94	2.76	0.70	785	3.78	2.65	0.70	823	3.64	2.55	0.70	860
24	20	4.29	2.49	0.58	785	4.11	2.39	0.58	832	3.99	2.31	0.58	851	3.85	2.23	0.58	888
24	22	4.46	2.05	0.46	813	4.31	1.98	0.46	865	4.20	1.93	0.46	888	4.03	1.85	0.46	926
24	24	4.69	1.59	0.34	851	4.52	1.54	0.34	898	4.41	1.50	0.34	926	4.27	1.45	0.34	972
25	18	4.11	3.04	0.74	748	3.94	2.91	0.74	785	3.78	2.80	0.74	823	3.64	2.69	0.74	860
25	20	4.29	2.66	0.62	785	4.11	2.55	0.62	832	3.99	2.47	0.62	851	3.85	2.39	0.62	888
25	22	4.46	2.23	0.50	813	4.31	2.15	0.50	865	4.20	2.10	0.50	888	4.03	2.01	0.50	926
25	24	4.69	1.78	0.38	851	4.52	1.72	0.38	898	4.41	1.68	0.38	926	4.27	1.62	0.38	972
26	18	4.11	3.21	0.78	748	3.94	3.07	0.78	785	3.78	2.95	0.78	823	3.64	2.84	0.78	860
26	20	4.29	2.83	0.66	785	4.11	2.71	0.66	832	3.99	2.63	0.66	851	3.85	2.54	0.66	888
26	22	4.46	2.41	0.54	813	4.31	2.32	0.54	865	4.20	2.27	0.54	888	4.03	2.17	0.54	926
26	24	4.69	1.97	0.42	851	4.52	1.90	0.42	898	4.41	1.85	0.42	926	4.27	1.79	0.42	972
26	26	4.83	1.45	0.30	898	4.69	1.41	0.30	944	4.62	1.39	0.30	972	4.48	1.34	0.30	1000
27	18	4.11	3.37	0.82	748	3.94	3.23	0.82	785	3.78	3.10	0.82	823	3.64	2.98	0.82	860
27	20	4.29	3.00	0.70	785	4.11	2.88	0.70	832	3.99	2.79	0.70	851	3.85	2.70	0.70	888
27	22	4.46	2.59	0.58	813	4.31	2.50	0.58	865	4.20	2.44	0.58	888	4.03	2.33	0.58	926
27	24	4.69	2.16	0.46	851	4.52	2.08	0.46	898	4.41	2.03	0.46	926	4.27	1.96	0.46	972
27	26	4.83	1.64	0.34	898	4.69	1.59	0.34	944	4.62	1.57	0.34	972	4.48	1.52	0.34	1000
28	18	4.11	3.54	0.86	748	3.94	3.39	0.86	785	3.78	3.25	0.86	823	3.64	3.13	0.86	860
28	20	4.29	3.17	0.74	785	4.11	3.04	0.74	832	3.99	2.95	0.74	851	3.85	2.85	0.74	888
28	22	4.46	2.77	0.62	813	4.31	2.67	0.62	865	4.20	2.60	0.62	888	4.03	2.50	0.62	926
28	24	4.69	2.35	0.50	851	4.52	2.26	0.50	898	4.41	2.21	0.50	926	4.27	2.14	0.50	972
28	26	4.83	1.84	0.38	898	4.69	1.78	0.38	944	4.62	1.76	0.38	972	4.48	1.70	0.38	1000
29	18	4.11	3.70	0.90	748	3.94	3.54	0.90	785	3.78	3.40	0.90	823	3.64	3.28	0.90	860
29	20	4.29	3.34	0.78	785	4.11	3.21	0.78	832	3.99	3.11	0.78	851	3.85	3.00	0.78	888
29	22	4.46	2.95	0.66	813	4.31	2.84	0.66	865	4.20	2.77	0.66	888	4.03	2.66	0.66	926
29	24	4.69	2.53	0.54	851	4.52	2.44	0.54	898	4.41	2.38	0.54	926	4.27	2.31	0.54	972
29	26	4.83	2.03	0.42	898	4.69	1.97	0.42	944	4.62	1.94	0.42	972	4.48	1.88	0.42	1000
30	18	4.11	3.87	0.94	748	3.94	3.70	0.94	785	3.78	3.55	0.94	823	3.64	3.42	0.94	860
30	20	4.29	3.52	0.82	785	4.11	3.37	0.82	832	3.99	3.27	0.82	851	3.85	3.16	0.82	888
30	22	4.46	3.12	0.70	813	4.31	3.01	0.70	865	4.20	2.94	0.70	888	4.03	2.82	0.70	926
30	24	4.69	2.72	0.58	851	4.52	2.62	0.58	898	4.41	2.56	0.58	926	4.27	2.48	0.58	972
30	26	4.83	2.22	0.46	898	4.69	2.16	0.46	944	4.62	2.13	0.46	972	4.48	2.06	0.46	1000
31	18	4.11	4.03	0.98	748	3.94	3.86	0.98	785	3.78	3.70	0.98	823	3.64	3.57	0.98	860
31	20	4.29	3.69	0.86	785	4.11	3.54	0.86	832	3.99	3.43	0.86	851	3.85	3.31	0.86	888
31	22	4.46	3.30	0.74	813	4.31	3.19	0.74	865	4.20	3.11	0.74	888	4.03	2.98	0.74	926
31	24	4.69	2.91	0.62	851	4.52	2.80	0.62	898	4.41	2.73	0.62	926	4.27	2.65	0.62	972
31	26	4.83	2.42	0.50	898	4.69	2.35	0.50	944	4.62	2.31	0.50	972	4.48	2.24	0.50	1000
32	18	4.11	4.19	1.02	748	3.94	4.02	1.02	785	3.78	3.86	1.02	823	3.64	3.71	1.02	860
32	20	4.29	3.86	0.90	785	4.11	3.70	0.90	832	3.99	3.59	0.90	851	3.85	3.47	0.90	888
32	22	4.46	3.48	0.78	813	4.31	3.36	0.78	865	4.20	3.28	0.78	888	4.03	3.14	0.78	926
32	24	4.69	3.10	0.66	851	4.52	2.98	0.66	898	4.41	2.91	0.66	926	4.27	2.82	0.66	972
32	26	4.83	2.61	0.54	898	4.69	2.53	0.54	944	4.62	2.49	0.54	972	4.48	2.42	0.54	1000

**NOTE** Q : Total capacity (kW) SHF : Sensible heat factor DB : Dry-bulb temperature  
 SHC : Sensible heat capacity (kW) INPUT : Total power input (W) WB : Wet-bulb temperature

**PERFORMANCE DATA COOL operation Rated frequency 70Hz**

**MSZ-FA35VA : MUZ-FA35VA MUZ-FA35VAH**

CAPACITY:3.5(kW) SHF:0.76 INPUT:935(W)

		OUTDOOR DB(°C)											
INDOOR DB (°C)	INDOOR WB (°C)	35				40				46			
		Q	SHC	SHF	INPUT	Q	SHC	SHF	INPUT	Q	SHC	SHF	INPUT
21	18	3.43	1.99	0.58	916	3.15	1.83	0.58	972	2.91	1.68	0.58	1010
21	20	3.61	1.66	0.46	954	3.36	1.55	0.46	1000	3.12	1.43	0.46	1057
22	18	3.43	2.13	0.62	916	3.15	1.95	0.62	972	2.91	1.80	0.62	1010
22	20	3.61	1.80	0.50	954	3.36	1.68	0.50	1000	3.12	1.56	0.50	1057
22	22	3.82	1.45	0.38	991	3.57	1.36	0.38	1047	3.33	1.26	0.38	1085
23	18	3.43	2.26	0.66	916	3.15	2.08	0.66	972	2.91	1.92	0.66	1010
23	20	3.61	1.95	0.54	954	3.36	1.81	0.54	1000	3.12	1.68	0.54	1057
23	22	3.82	1.60	0.42	991	3.57	1.50	0.42	1047	3.33	1.40	0.42	1085
24	18	3.43	2.40	0.70	916	3.15	2.21	0.70	972	2.91	2.03	0.70	1010
24	20	3.61	2.09	0.58	954	3.36	1.95	0.58	1000	3.12	1.81	0.58	1057
24	22	3.82	1.75	0.46	991	3.57	1.64	0.46	1047	3.33	1.53	0.46	1085
24	24	4.03	1.37	0.34	1029	3.78	1.29	0.34	1075	3.57	1.21	0.34	1122
25	18	3.43	2.54	0.74	916	3.15	2.33	0.74	972	2.91	2.15	0.74	1010
25	20	3.61	2.24	0.62	954	3.36	2.08	0.62	1000	3.12	1.93	0.62	1057
25	22	3.82	1.91	0.50	991	3.57	1.79	0.50	1047	3.33	1.66	0.50	1085
25	24	4.03	1.53	0.38	1029	3.78	1.44	0.38	1075	3.57	1.36	0.38	1122
26	18	3.43	2.68	0.78	916	3.15	2.46	0.78	972	2.91	2.27	0.78	1010
26	20	3.61	2.38	0.66	954	3.36	2.22	0.66	1000	3.12	2.06	0.66	1057
26	22	3.82	2.06	0.54	991	3.57	1.93	0.54	1047	3.33	1.80	0.54	1085
26	24	4.03	1.69	0.42	1029	3.78	1.59	0.42	1075	3.57	1.50	0.42	1122
26	26	4.24	1.27	0.30	1066	3.99	1.20	0.30	1113	3.75	1.12	0.30	1159
27	18	3.43	2.81	0.82	916	3.15	2.58	0.82	972	2.91	2.38	0.82	1010
27	20	3.61	2.52	0.70	954	3.36	2.35	0.70	1000	3.12	2.18	0.70	1057
27	22	3.82	2.21	0.58	991	3.57	2.07	0.58	1047	3.33	1.93	0.58	1085
27	24	4.03	1.85	0.46	1029	3.78	1.74	0.46	1075	3.57	1.64	0.46	1122
27	26	4.24	1.44	0.34	1066	3.99	1.36	0.34	1113	3.75	1.27	0.34	1159
28	18	3.43	2.95	0.86	916	3.15	2.71	0.86	972	2.91	2.50	0.86	1010
28	20	3.61	2.67	0.74	954	3.36	2.49	0.74	1000	3.12	2.31	0.74	1057
28	22	3.82	2.37	0.62	991	3.57	2.21	0.62	1047	3.33	2.06	0.62	1085
28	24	4.03	2.01	0.50	1029	3.78	1.89	0.50	1075	3.57	1.79	0.50	1122
28	26	4.24	1.61	0.38	1066	3.99	1.52	0.38	1113	3.75	1.42	0.38	1159
29	18	3.43	3.09	0.90	916	3.15	2.84	0.90	972	2.91	2.61	0.90	1010
29	20	3.61	2.81	0.78	954	3.36	2.62	0.78	1000	3.12	2.43	0.78	1057
29	22	3.82	2.52	0.66	991	3.57	2.36	0.66	1047	3.33	2.19	0.66	1085
29	24	4.03	2.17	0.54	1029	3.78	2.04	0.54	1075	3.57	1.93	0.54	1122
29	26	4.24	1.78	0.42	1066	3.99	1.68	0.42	1113	3.75	1.57	0.42	1159
30	18	3.43	3.22	0.94	916	3.15	2.96	0.94	972	2.91	2.73	0.94	1010
30	20	3.61	2.96	0.82	954	3.36	2.76	0.82	1000	3.12	2.55	0.82	1057
30	22	3.82	2.67	0.70	991	3.57	2.50	0.70	1047	3.33	2.33	0.70	1085
30	24	4.03	2.33	0.58	1029	3.78	2.19	0.58	1075	3.57	2.07	0.58	1122
30	26	4.24	1.95	0.46	1066	3.99	1.84	0.46	1113	3.75	1.72	0.46	1159
31	18	3.43	3.36	0.98	916	3.15	3.09	0.98	972	2.91	2.85	0.98	1010
31	20	3.61	3.10	0.86	954	3.36	2.89	0.86	1000	3.12	2.68	0.86	1057
31	22	3.82	2.82	0.74	991	3.57	2.64	0.74	1047	3.33	2.46	0.74	1085
31	24	4.03	2.50	0.62	1029	3.78	2.34	0.62	1075	3.57	2.21	0.62	1122
31	26	4.24	2.12	0.50	1066	3.99	2.00	0.50	1113	3.75	1.87	0.50	1159
32	18	3.43	3.50	1.02	916	3.15	3.21	1.02	972	2.91	2.96	1.02	1010
32	20	3.61	3.24	0.90	954	3.36	3.02	0.90	1000	3.12	2.80	0.90	1057
32	22	3.82	2.98	0.78	991	3.57	2.78	0.78	1047	3.33	2.59	0.78	1085
32	24	4.03	2.66	0.66	1029	3.78	2.49	0.66	1075	3.57	2.36	0.66	1122
32	26	4.24	2.29	0.54	1066	3.99	2.15	0.54	1113	3.75	2.02	0.54	1159

**NOTE** Q : Total capacity (kW) SHF : Sensible heat factor DB : Dry-bulb temperature  
 SHC : Sensible heat capacity (kW) INPUT : Total power input (W) WB : Wet-bulb temperature

**PERFORMANCE DATA HEAT operation**

**MSZ-FA25VA : MUZ-FA25VA MUZ-FA25VAH Rated frequency 77Hz**

CAPACITY:3.2(kW) INPUT:735(W)

INDOOR DB(°C)	OUTDOOR WB(°C)													
	-10		-5		0		5		10		15		20	
	Q	INPUT	Q	INPUT	Q	INPUT	Q	INPUT	Q	INPUT	Q	INPUT	Q	INPUT
15	2.02	478	2.43	573	2.85	647	3.26	698	3.68	742	4.06	764	4.48	779
21	1.92	515	2.30	610	2.72	676	3.10	728	3.52	764	3.90	786	4.30	816
26	1.73	551	2.14	647	2.53	713	2.94	764	3.36	801	3.74	823	4.16	845

**MSZ-FA35VA : MUZ-FA35VA MUZ-FA35VAH Rated frequency 73Hz**

CAPACITY:4.0(kW) INPUT:995(W)

INDOOR DB(°C)	OUTDOOR WB(°C)													
	-10		-5		0		5		10		15		20	
	Q	INPUT	Q	INPUT	Q	INPUT	Q	INPUT	Q	INPUT	Q	INPUT	Q	INPUT
15	2.52	647	3.04	776	3.56	876	4.08	945	4.60	1005	5.08	1035	5.60	1055
21	2.40	697	2.88	826	3.40	915	3.88	985	4.40	1035	4.88	1065	5.38	1104
26	2.16	746	2.68	876	3.16	965	3.68	1035	4.20	1085	4.68	1114	5.20	1144

**NOTE** Q:Total capacity (kW) INPUT:Total power input (W) DB : Dry-bulb temperature WB : Wet-bulb temperature



# 9

# ACTUATOR CONTROL

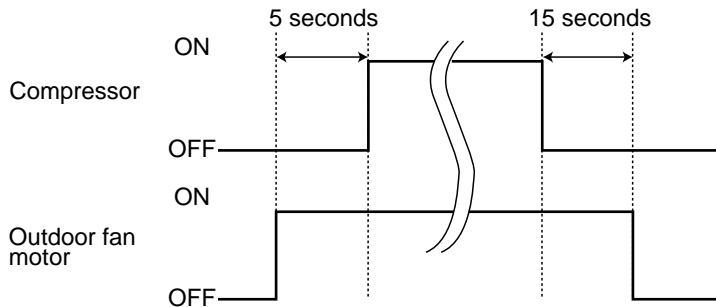
**MUZ-FA25VA MUZ-FA35VA**  
**MUZ-FA25VAH MUZ-FA35VAH**

### 9-1. Outdoor fan motor control

The fan motor turns ON/OFF, interlocking with the compressor.

[ON] The fan motor turns ON 5 seconds before the compressor starts up.

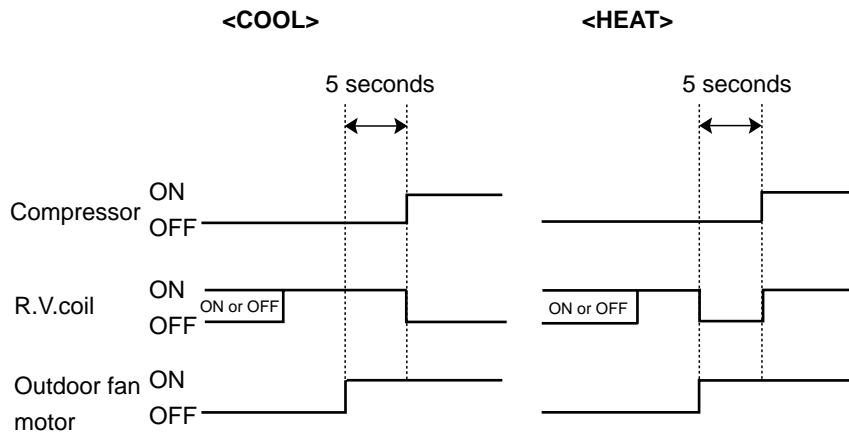
[OFF] The fan motor turns OFF 15 seconds after the compressor has stopped running.



### 9-2. R.V. coil control

Heating ..... ON  
 Cooling ..... OFF  
 Dry ..... OFF

**NOTE:** The 4-way valve reverses for 5 seconds right before start-up of the compressor.



### 9-3. Relation between main sensor and actuator

Sensor	Purpose	Actuator					
		Compressor	LEV	Outdoor fan motor	R.V. coil	Indoor fan motor	Defrost heater
Discharge temperature thermistor	Protection	○	○				
Indoor coil temperature thermistor	Cooling : Coil frost prevention	○					
	Heating : High pressure protection	○	○				
Defrost thermistor	Cooling : High pressure protection	○	○				
	Heating : Defrosting	○	○	○	○	○	
Fin temperature thermistor	Protection	○		○			
Ambient temperature thermistor	Cooling : Low ambient temperature operation	○	○	○			
	Heating : Defrosting (Heater)						○

# 10

# SERVICE FUNCTIONS

**MUZ-FA25VA MUZ-FA35VA**  
**MUZ-FA25VAH MUZ-FA35VAH**

### CHANGE IN DEFROST SETTING

#### Changing defrost finish temperature

<JS> When the JS wire of the outdoor Inverter P.C. board is cut/ soldered, the defrost finish temperature is changed.  
 (Refer to 11-7.1.)

Jumper wire		Defrost finish temperature				
		MUZ-FA25VA	MUZ-FA25VAH	MUZ-FA35VA	MUZ-FA35VAH	
					(Serial number : ~6002550)	(Serial number : 6002551~)
JS	soldered (Initial setting)	5°C	8°C	10°C	13°C	10°C
	none (cut)	8°C	15°C	13°C	15°C	13°C

# 11

# TROUBLESHOOTING

**MUZ-FA25VA MUZ-FA35VA**  
**MUZ-FA25VAH MUZ-FA35VAH**

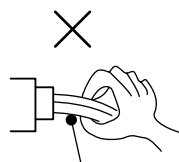
### 11-1. Cautions on troubleshooting

#### 1. Before troubleshooting, check the following

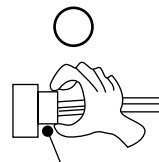
- 1) Check the power supply voltage.
- 2) Check the indoor/outdoor connecting wire for mis-wiring.

#### 2. Take care of the following during servicing

- 1) Before servicing the air conditioner, be sure to turn OFF the main unit first with the remote controller, and then after confirming the horizontal vane is closed, turn OFF the breaker and / or disconnect the power plug.
- 2) Be sure to turn OFF the power supply before removing the front panel, the cabinet, the top panel, and the electronic control P.C. board.
- 3) When removing the electrical parts, be careful to the residual voltage of smoothing capacitor.
- 4) When removing the electronic control P.C. board, hold the edge of the board with care NOT to apply stress on the components.
- 5) When connecting or disconnecting the connectors, hold the housing of the connector. DO NOT pull the lead wires.



**Lead wiring**



**Housing point**

#### 3. Troubleshooting procedure

- 1) First, check if the OPERATION INDICATOR lamp on the indoor unit is flashing on and off to indicate an abnormality. To make sure, check how many times the abnormality indication is flashing on and off before starting service work.
- 2) Before servicing check that the connector and terminal are connected properly.
- 3) If the electronic control P.C. board is supposed to be defective, check the copper foil pattern for disconnection and the components for bursting and discoloration.
- 4) When troubleshooting, refer to 11-2., 11-3. and 11-4.

## 11-2. Failure mode recall function

Outline of the function

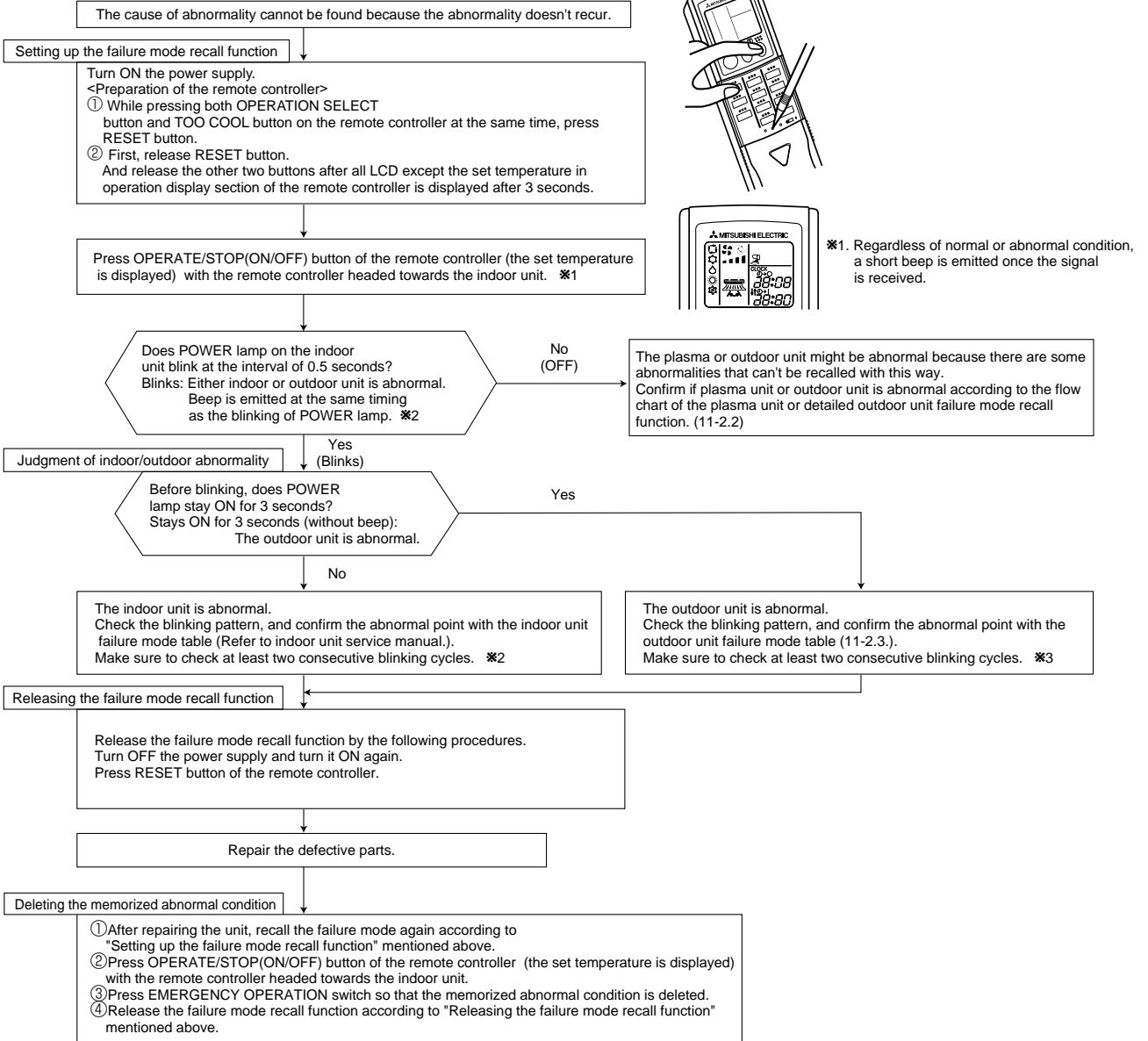
This air conditioner can memorize the abnormal condition which has occurred once.

Even though LED indication listed on the troubleshooting check table (11-4.) disappears, the memorized failure details can be recalled.

This mode is very useful when the unit needs to be repaired for the abnormality which doesn't recur.

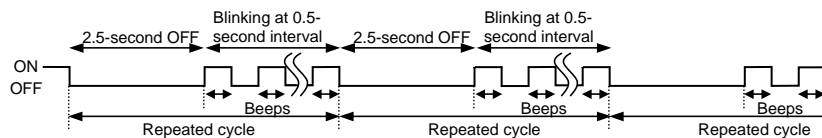
### 1. Flow chart of failure mode recall function for the indoor/outdoor unit

Operational procedure

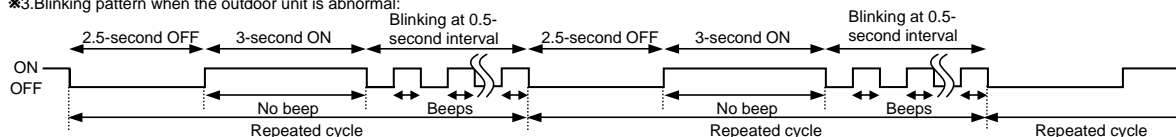


Note1. Make sure to release the failure mode recall function once it's set up, otherwise the unit cannot operate properly.  
 2. If the abnormal condition is not deleted from the memory, the last abnormal condition is kept memorized.

※2. Blinking pattern when the indoor unit is abnormal:

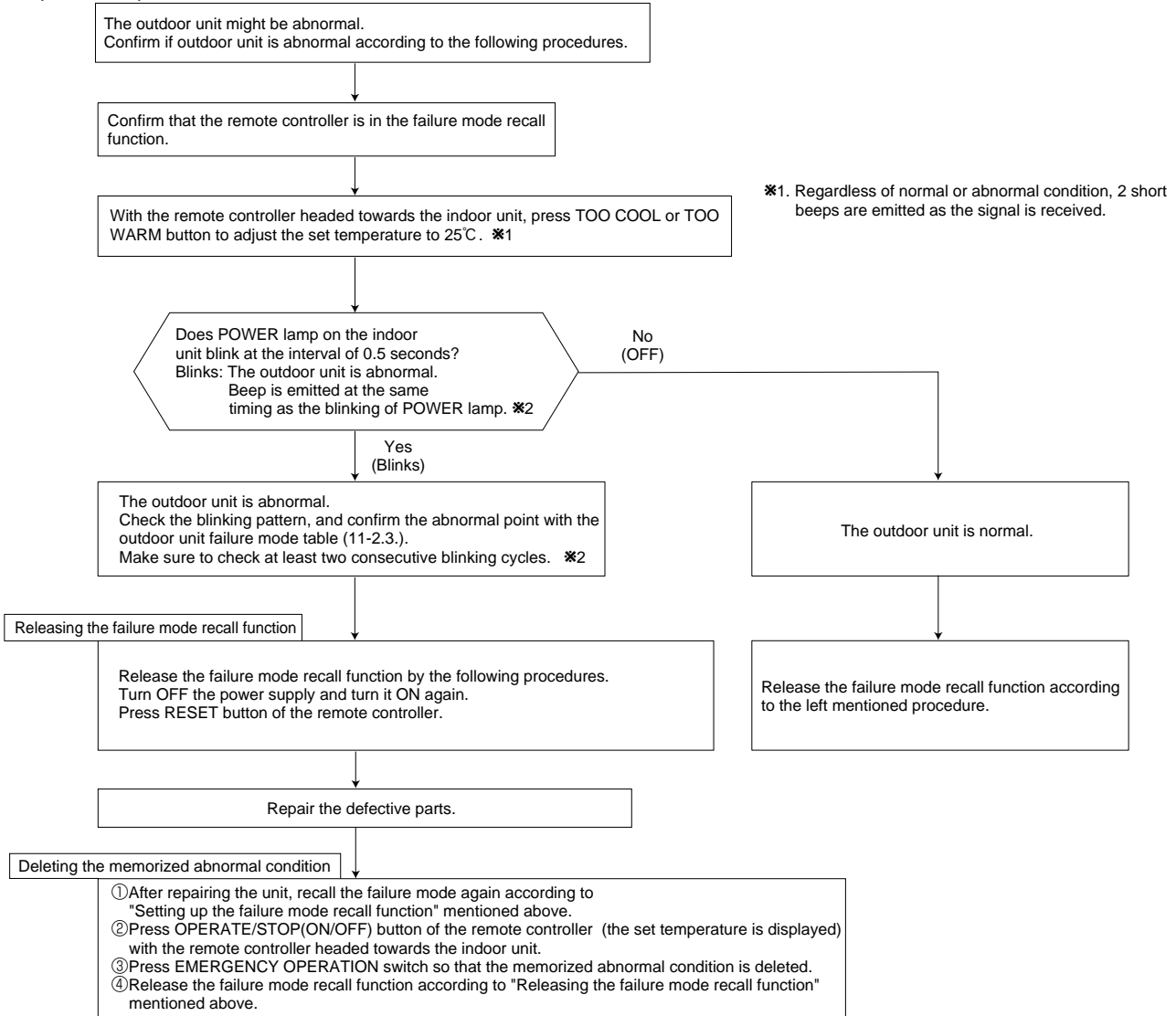


※3. Blinking pattern when the outdoor unit is abnormal:



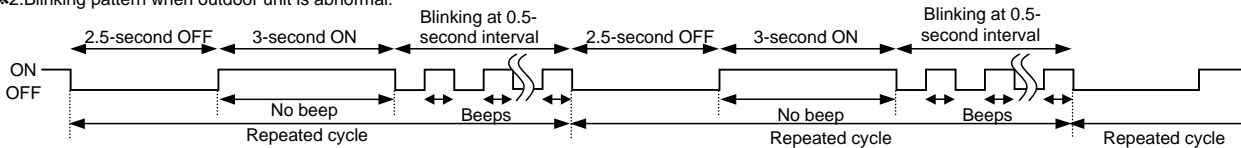
## 2. Flow chart of the detailed outdoor unit failure mode recall function

### Operational procedure



Note1. Make sure to release the failure mode recall function once it's set up, otherwise the unit cannot operate properly.  
2. If the abnormal condition is not deleted from the memory, the last abnormal condition is kept memorized.

※2. Blinking pattern when outdoor unit is abnormal:



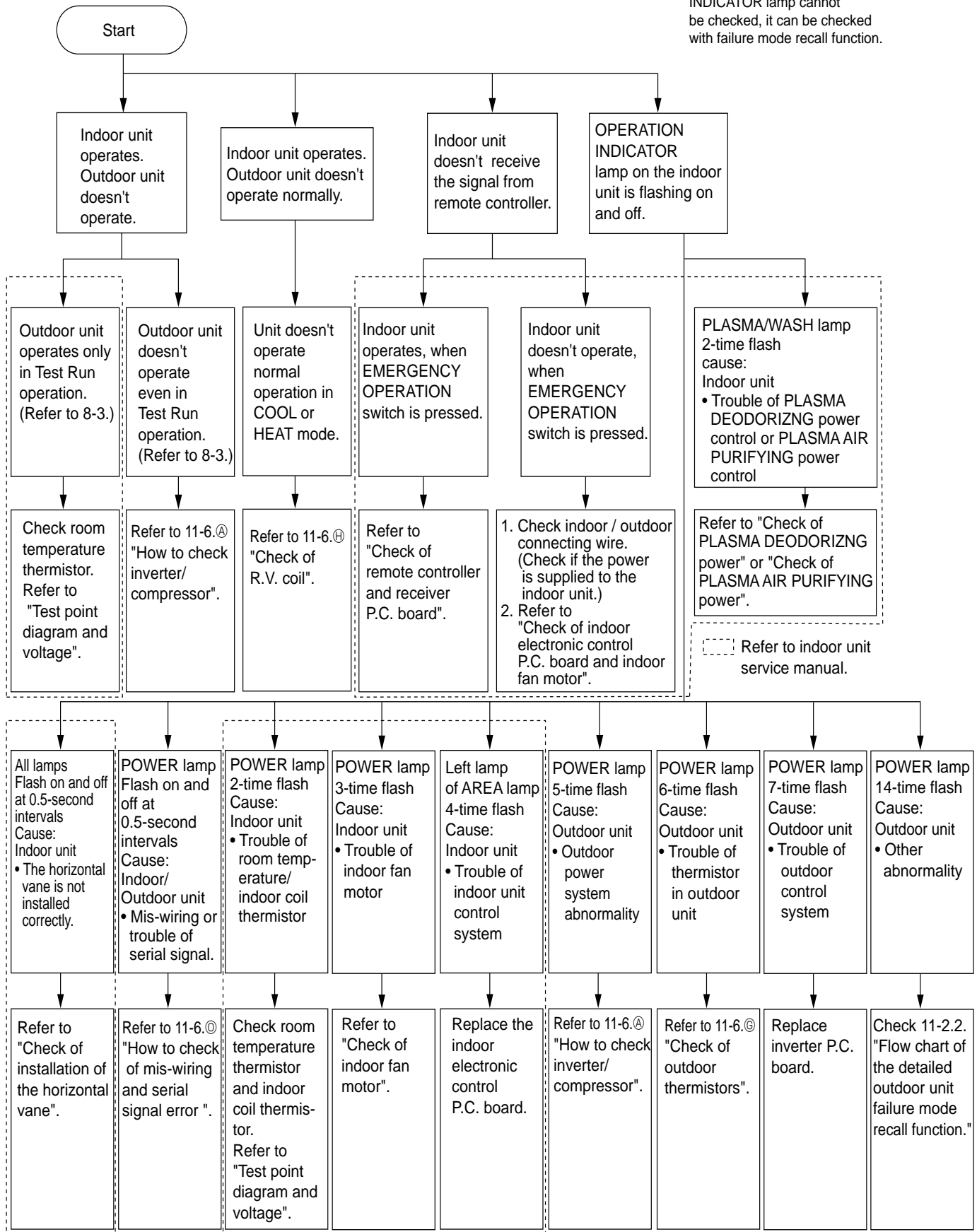
### 3. Outdoor unit failure mode table

**NOTE :** Blinking patterns of this mode differ from the ones of Troubleshooting check table (11-4.).

POWER lamp (Indoor unit)	Abnormal point (Failure mode / protection)	LED indication (Outdoor P.C. board)	Condition	Correspondence	Indoor/outdoor unit failure mode recall function	Outdoor unit failure mode recall function
OFF	None (Normal)	—	—	—	—	—
2-time flash 2.5 seconds OFF	Outdoor power system	—	When it consecutively occurs 3 times that the compressor stops for overcurrent protection within 1 minute after start-up.	<ul style="list-style-type: none"> <li>Reconnect connectors.</li> <li>Refer to 11-6. ⑤ How to check inverter/ compressor".</li> <li>Check stop valve.</li> </ul>	○	○
3-time flash 2.5 seconds OFF	Discharge temperature thermistor	1-time flash every 2.5 seconds	When thermistor shorts or opens during compressor running.	<ul style="list-style-type: none"> <li>Refer to 11-6. ⑤ Check of outdoor thermistors".</li> </ul>	○	○
	Defrost thermistor	3-time flash		<ul style="list-style-type: none"> <li>Defective outdoor thermistors can be identified by checking the blinking pattern of LED.</li> </ul>	○	○
	Fin temperature thermistor	2.5 seconds OFF				
	P.C. board temperature thermistor	4-time flash				
	Ambient temperature thermistor	2.5 seconds OFF				
4-time flash 2.5 seconds OFF	Overcurrent	2-time flash 2.5 seconds OFF	When 14A(MUZ-FA25VA, MUZ-FA25VAH)/ 24A (MUZ-FA35VA, MUZ-FA35VAH) current flow into intelligent power module.	<ul style="list-style-type: none"> <li>Reconnect compressor connector.</li> <li>Refer to 11-6. ⑤ How to check inverter/ compressor".</li> <li>Check stop valve.</li> </ul>	—	○
	Compressor synchronous abnormality ( Compressor start-up failure protection)	12-time flash 2.5 seconds OFF	When waveform of compressor current is distorted.	<ul style="list-style-type: none"> <li>Reconnect compressor connector.</li> <li>Refer to 11-6. ⑤ How to check inverter/ compressor".</li> </ul>	—	○
5-time flash 2.5 seconds OFF	Discharge temperature	—	When temperature of discharge temperature thermistor exceeds 116°C, compressor stops. Compressor can restart if discharge temperature thermistor reads 100°C or less 3 minutes later.	<ul style="list-style-type: none"> <li>Check refrigerant circuit and refrigerant amount.</li> <li>Refer to 11-6. ⑤ Check of LEV".</li> </ul>	—	○
6-time flash 2.5 seconds OFF	High pressure	—	When temperature of indoor coil thermistor exceeds 70°C in HEAT mode.	<ul style="list-style-type: none"> <li>Check refrigerant circuit and refrigerant amount.</li> <li>Check stop valve.</li> </ul>	—	○
7-time flash 2.5 seconds OFF	Fin temperature/ P.C. board temperature	7-time flash 2.5 seconds OFF	When defrost thermistor exceeds 70°C in COOL mode.	<ul style="list-style-type: none"> <li>Check around outdoor unit.</li> </ul>	—	○
			When temperature of fin temperature thermistor on the inverter P.C. board exceeds 83 °C (MUZ-FA25VA, MUZ-FA25VAH)/ 82°C (MUZ-FA35VA, MUZ-FA35VAH), or temperature of P.C. board temperature thermistor on the inverter P.C. board exceeds 85°C (MUZ-FA25VA, MUZ-FA25VAH)/ 81°C (MUZ-FA35VA, MUZ-FA35VAH).	<ul style="list-style-type: none"> <li>Check outdoor unit air passage.</li> <li>Refer to 11-6. ⑤ Check of outdoor fan motor".</li> </ul>	—	○
8-time flash 2.5 seconds OFF	Outdoor fan motor	—	When outdoor fan has stopped 3 times in a row within 30 seconds after outdoor fan start-up.	<ul style="list-style-type: none"> <li>Refer to 11-6. ⑤ Check of outdoor fan motor".</li> <li>Refer to 11-6. ⑤ Check of inverter P.C. board".</li> </ul>	—	○
9-time flash 2.5 seconds OFF	Nonvolatile memory data	5-time flash 2.5 seconds OFF	When nonvolatile memory data cannot be read properly.	<ul style="list-style-type: none"> <li>Replace the inverter P.C. board.</li> </ul>	○	○
10-time flash 2.5 seconds OFF	Discharge temperature	—	When temperature of discharge temperature thermistor has been 50°C or less for 20 minutes.	<ul style="list-style-type: none"> <li>Refer to 11-6. ⑤ Check of LEV".</li> <li>Check refrigerant circuit and refrigerant amount.</li> </ul>	—	○
11-time flash 2.5 seconds OFF	DC voltage	8-time flash 2.5 seconds OFF	When DC voltage of inverter cannot be detected normally.	<ul style="list-style-type: none"> <li>Refer to 11-6. ⑤ How to check inverter/ compressor".</li> </ul>	—	○
	Each phase current of compressor	9-time flash 2.5 seconds OFF	When each phase current of compressor cannot be detected normally.		—	○
12-time flash 2.5 seconds OFF	Overcurrent	10-time flash 2.5 seconds OFF	When 14A(MUZ-FA25VA, MUZ-FA25VAH)/ 24A (MUZ-FA35VA, MUZ-FA35VAH) current flow into intelligent power module (IPM).	<ul style="list-style-type: none"> <li>Reconnect compressor connector.</li> <li>Refer to 11-6. ⑤ How to check inverter/ compressor".</li> </ul>	—	○
	Compressor open-phase	—	When the open-phase operation of compressor is detected. When the interphase short out occurs in the output of the intelligent power module (IPM).		—	○
14-time flash 2.5 seconds OFF	Outdoor unit (Other abnormality)	—	When the compressor winding shorts out.	<ul style="list-style-type: none"> <li>Replace the inverter P.C. board.</li> </ul>	—	○
			When the inverter P.C. board is defective.		—	○

### 11-3. Instruction of troubleshooting

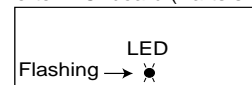
If blinking of OPERATION INDICATOR lamp cannot be checked, it can be checked with failure mode recall function.



## 11-4. Troubleshooting check table

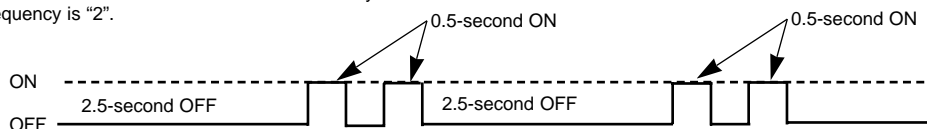
NOTE 1. The location of LED is illustrated at the right figure. Refer to 11-7.1.  
2. LED is lighted during normal operation.

Inverter P.C. board (Parts side)



No.	Symptom	LED indication	Abnormal point/ Condition	Condition	Correspondence	
1	Outdoor unit does not operate	1-time flash every 2.5 seconds	Outdoor power system	When it consecutively occurs 3 times that the compressor stops for overcurrent protection within 1minute after start-up.	<ul style="list-style-type: none"> <li>Check stop valve.</li> <li>Reconnect connector of compressor.</li> <li>Refer to 11-6.Ⓐ "How to check inverter/ compressor".</li> </ul>	
2			Outdoor thermistors	When discharge temperature thermistor, fin temperature thermistor, defrost thermistor, P.C. board temperature thermistor or ambient temperature thermistor shorts or opens during compressor running.	<ul style="list-style-type: none"> <li>Refer to 11-6.Ⓒ "Check of outdoor thermistors".</li> </ul>	
3			Outdoor control system	When nonvolatile memory data cannot be read properly. (When POWER lamp of the indoor unit lights up or flashes 7-time.)	Replace inverter P.C. board.	
4	Outdoor unit stops and restarts 3 minutes later' is repeated	6-time flash 2.5 seconds OFF	Serial signal	When the communication fails between the indoor and outdoor unit for 3 minutes.	Refer to 11-6.Ⓒ "How to check mis-wiring and serial signal error".	
5		14-time flash 2.5 seconds OFF	Outdoor unit (Other abnormality)	When outdoor unit is defective.	Refer to 11-2.2. Flow chart of the detailed outdoor unit failure mode recall function.	
6	Outdoor unit stops and restarts 3 minutes later' is repeated	2-time flash 2.5 seconds OFF	Overcurrent protection	When 14A(MUZ-FA25VA,MUZ-FA25VAH)/ 24A(MUZ-FA35VA, MUZ-FA35VAH) current flows into intelligent power module.	<ul style="list-style-type: none"> <li>Reconnect connector of compressor.</li> <li>Refer to 11-6.Ⓐ "How to check inverter/compressor".</li> <li>Check stop valve.</li> </ul>	
7		3-time flash 2.5 seconds OFF	Discharge temperature overheat protection	When temperature of discharge temperature thermistor exceeds 116°C, compressor stops. Compressor can restart if discharge temperature thermistor reads 100°C or less 3 minutes later.	<ul style="list-style-type: none"> <li>Check refrigerant circuit and refrigerant amount.</li> <li>Refer to 11-6.Ⓓ "Check of LEV".</li> </ul>	
8		4-time flash 2.5 seconds OFF	Fin temperature /P.C. board temperature thermistor overheat protection	When temperature of fin temperature thermistor .on the heat sink exceeds 83°C (MUZ-FA25VA,MUZ-FA25VAH)/ 82°C (MUZ-FA35VA,MUZ-FA35VAH) or temperature of P.C. board temperature thermistor on the inverter P.C.board exceeds 85°C (MUZ-FA25VA,MUZ-FA25VAH)/ 81°C (MUZ-FA35VA, MUZ-FA35VAH).	<ul style="list-style-type: none"> <li>Check around outdoor unit.</li> <li>Check outdoor unit air passage.</li> <li>Refer to 11-6.Ⓔ "Check of outdoor fan motor".</li> </ul>	
9		5-time flash 2.5 seconds OFF	High pressure protection	When indoor coil thermistor exceeds 70°C in HEAT mode. When the defrost thermistor exceeds 70°C in COOL mode.	<ul style="list-style-type: none"> <li>Check refrigerant circuit and refrigerant amount.</li> <li>Check stop valve.</li> </ul>	
10		8-time flash 2.5 seconds OFF	Compressor synchronous abnormality	When the waveform of compressor current is distorted.	<ul style="list-style-type: none"> <li>Reconnect connector of compressor.</li> <li>Refer to 11-6.Ⓐ "How to check inverter/compressor".</li> </ul>	
11		10-time flash 2.5 seconds OFF	Outdoor fan motor	When outdoor fan has stopped 3 times in a row within 30 seconds after outdoor fan start-up.	<ul style="list-style-type: none"> <li>Refer to 11-6.Ⓘ "Check of outdoor fan motor".</li> <li>Refer to 11-6.Ⓝ "Check of inverter P.C. board".</li> </ul>	
12		12-time flash 2.5 seconds OFF	Each phase current of compressor	When each phase current of compressor cannot be detected normally	Refer to 11-6.Ⓐ "How to check inverter/compressor".	
13		13-time flash 2.5 seconds OFF	DC voltage	When DC voltage of inverter cannot be detected normally.	Refer to 11-6.Ⓐ "How to check inverter/compressor".	
14		Outdoor unit operates	1-time flash 2.5 seconds OFF	Frequency drop by current protection	When current from power outlet exceeds 6.1A(MUZ-FA25VA, MUZ-FA25VAH)/ 9.2A(MUZ-FA35VA,MUZ-FA35VAH), compressor frequency lowers.	The unit is normal, but check the following. <ul style="list-style-type: none"> <li>Check if indoor filters are clogged.</li> <li>Check if refrigerant is short.</li> <li>Check if indoor/outdoor unit air circulation is short cycled.</li> </ul>
15			3-time flash 2.5 seconds OFF	Frequency drop by high pressure protection	When temperature of indoor coil thermistor exceeds 55°C in HEAT mode, compressor frequency lowers.	
			Frequency drop by defrosting in COOL mode	When indoor coil thermistor reads 8°C or less in COOL mode, compressor frequency lowers.		
16	4-time flash 2.5 seconds OFF	Frequency drop by discharge temperature protection	When temperature of discharge temperature thermistor exceeds 111°C, compressor frequency lowers.	<ul style="list-style-type: none"> <li>Check refrigerant circuit and refrigerant amount.</li> <li>Refer to 11-6.Ⓓ "Check of LEV".</li> <li>Refer to 11-6.Ⓒ "Check of outdoor thermistors".</li> </ul>		
17	Outdoor unit operates	7-time flash 2.5 seconds OFF	Low discharge temperature protection	When temperature of discharge temperature thermistor has been 50°C or less for 20 minutes.	<ul style="list-style-type: none"> <li>Refer to 11-6.Ⓓ "Check of LEV".</li> <li>Check refrigerant circuit and refrigerant amount.</li> </ul>	
18		8-time flash 2.5 seconds OFF	PAM protection PAM: Pulse Amplitude Modulation	When the overcurrent flows into IGBT(Insulated Gate Bipolar transistor : TR821) or when the bus-bar voltage reaches 320V or more, PAM stops and restarts.	This is not malfunction. PAM protection will be activated in the following cases: Ⓐ Instantaneous power voltage drop (Short time power failure) Ⓑ When the power supply voltage is high.	
19		9-time flash 2.5 seconds OFF	Inverter check mode	When the connector of compressor is disconnected, inverter check mode starts.	Check if the connector of the compressor is correctly connected. Refer to 11-6.Ⓐ "How to check inverter/ compressor".	

The flashing frequency shows the number of times the LED blinks after every 2.5-second OFF.  
(Example) When the flashing frequency is "2".



11-5. Trouble criterion of main parts

**MUZ-FA25VA MUZ-FA35VA**  
**MUZ-FA25VAH MUZ-FA35VAH**

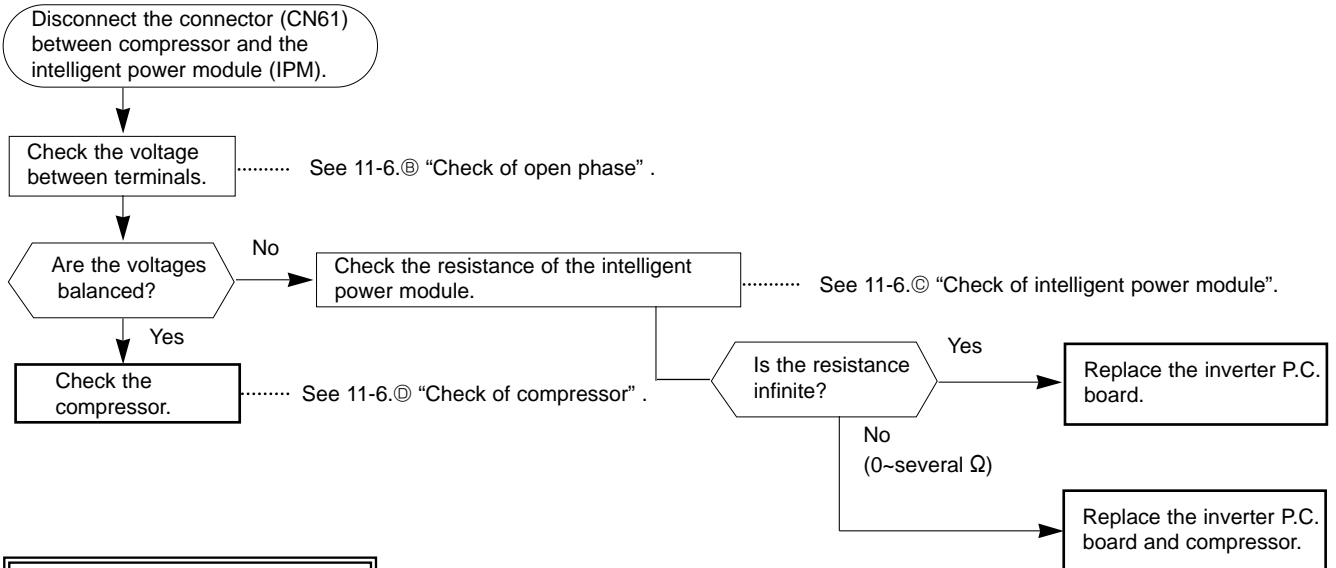
Part name	Check method and criterion	Figure											
Defrost thermistor (RT61)	Measure the resistance with a tester.	/											
Ambient temperature thermistor (RT65)	Refer to 11-7. "Test point diagram and voltage", 1. "Inverter P.C. board", the chart of thermistor.												
Discharge temperature thermistor (RT62)	Measure the resistance with a tester. Before measurement, hold the thermistor with your hands to warm it up.	/											
Fin temperature thermistor (RT64)	Refer to 11-7. "Test point diagram and voltage", 1. "Inverter P.C. board", the chart of thermistor.												
Compressor(MC)	Measure the resistance between the terminals with a tester. (Part temperature $-20^{\circ}\text{C} \sim 40^{\circ}\text{C}$ ) <table border="1" style="margin-left: auto; margin-right: auto;"> <thead> <tr> <th></th> <th colspan="2">Normal</th> </tr> <tr> <th></th> <th>MUZ-FA25VA MUZ-FA25VAH</th> <th>MUZ-FA35VA MUZ-FA35VAH</th> </tr> </thead> <tbody> <tr> <td>U-V</td> <td rowspan="3" style="text-align: center;">1.28 <math>\Omega</math> ~ 1.66 <math>\Omega</math></td> <td rowspan="3" style="text-align: center;">0.41 <math>\Omega</math> ~ 0.53 <math>\Omega</math></td> </tr> <tr> <td>U-W</td> </tr> <tr> <td>V-W</td> </tr> </tbody> </table>		Normal			MUZ-FA25VA MUZ-FA25VAH	MUZ-FA35VA MUZ-FA35VAH	U-V	1.28 $\Omega$ ~ 1.66 $\Omega$	0.41 $\Omega$ ~ 0.53 $\Omega$	U-W	V-W	
	Normal												
	MUZ-FA25VA MUZ-FA25VAH	MUZ-FA35VA MUZ-FA35VAH											
U-V	1.28 $\Omega$ ~ 1.66 $\Omega$	0.41 $\Omega$ ~ 0.53 $\Omega$											
U-W													
V-W													
Outdoor fan motor(MF)	Measure the resistance between the terminals with a tester. (Part temperature $-20^{\circ}\text{C} \sim 40^{\circ}\text{C}$ ) <table border="1" style="margin-left: auto; margin-right: auto;"> <thead> <tr> <th>Color of the lead wire</th> <th>Normal</th> </tr> </thead> <tbody> <tr> <td>WHT – BLK</td> <td style="text-align: center;">31 <math>\Omega</math> ~ 41 <math>\Omega</math></td> </tr> <tr> <td>BLK – RED</td> <td style="text-align: center;">31 <math>\Omega</math> ~ 41 <math>\Omega</math></td> </tr> <tr> <td>RED – WHT</td> <td style="text-align: center;">31 <math>\Omega</math> ~ 41 <math>\Omega</math></td> </tr> </tbody> </table>	Color of the lead wire	Normal	WHT – BLK	31 $\Omega$ ~ 41 $\Omega$	BLK – RED	31 $\Omega$ ~ 41 $\Omega$	RED – WHT	31 $\Omega$ ~ 41 $\Omega$				
Color of the lead wire	Normal												
WHT – BLK	31 $\Omega$ ~ 41 $\Omega$												
BLK – RED	31 $\Omega$ ~ 41 $\Omega$												
RED – WHT	31 $\Omega$ ~ 41 $\Omega$												
R.V. coil(21S4)	Measure the resistance between the terminals with a tester. (Part temperature $-20^{\circ}\text{C} \sim 40^{\circ}\text{C}$ ) <table border="1" style="margin-left: auto; margin-right: auto;"> <thead> <tr> <th>Normal</th> </tr> </thead> <tbody> <tr> <td style="text-align: center;">1.20 k<math>\Omega</math> ~ 1.55 k<math>\Omega</math></td> </tr> </tbody> </table>	Normal	1.20 k $\Omega$ ~ 1.55 k $\Omega$	/									
Normal													
1.20 k $\Omega$ ~ 1.55 k $\Omega$													
LEV(Expansion valve coil)	Measure the resistance with a tester. (Part temperature : $-20^{\circ}\text{C} \sim 40^{\circ}\text{C}$ ) <table border="1" style="margin-left: auto; margin-right: auto;"> <thead> <tr> <th>Color of the lead wire</th> <th>Normal</th> </tr> </thead> <tbody> <tr> <td>WHT – RED</td> <td rowspan="4" style="text-align: center;">38 <math>\Omega</math> ~ 50 <math>\Omega</math></td> </tr> <tr> <td>RED – ORN</td> </tr> <tr> <td>YLW – BRN</td> </tr> <tr> <td>BRN – BLU</td> </tr> </tbody> </table>	Color of the lead wire	Normal	WHT – RED	38 $\Omega$ ~ 50 $\Omega$	RED – ORN	YLW – BRN	BRN – BLU					
Color of the lead wire	Normal												
WHT – RED	38 $\Omega$ ~ 50 $\Omega$												
RED – ORN													
YLW – BRN													
BRN – BLU													
Defrost heater(H)	Measure the resistance with a tester. (Part temperature $-20^{\circ}\text{C} \sim 40^{\circ}\text{C}$ ) <table border="1" style="margin-left: auto; margin-right: auto;"> <thead> <tr> <th>Normal</th> </tr> </thead> <tbody> <tr> <td style="text-align: center;">333 <math>\Omega</math> ~ 428 <math>\Omega</math></td> </tr> </tbody> </table>	Normal	333 $\Omega$ ~ 428 $\Omega$	/									
Normal													
333 $\Omega$ ~ 428 $\Omega$													



## 11-6. Troubleshooting flow

When POWER lamp flashes 5-time.  
Outdoor unit does not operate.

### A How to check inverter/ compressor



### B Check of open phase

- With the connector between the compressor and the intelligent power module disconnected, activate the inverter and check if the inverter is normal by measuring the balance of voltage between the terminals.

Output voltage 115V

<< Operation method >>

Start cooling or heating operation by pressing EMERGENCY OPERATION switch on the indoor unit. (Test run operation : refer to 8-3.)

<< Measurement point >>

at 3 points

BLK (U)-WHT (V)

BLK (U)-RED (W)

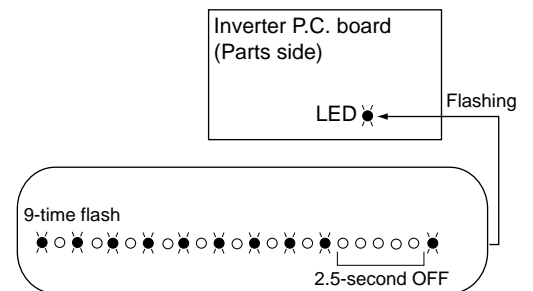
WHT(V)-RED (W)

※ Measure AC voltage between the lead wires at 3 points.

NOTE 1. Output voltage varies according to power supply voltage.

2. Measure the voltage by analog type tester.

3. During this check, LED of inverter P.C. board flashes 9 times.



### C Check of intelligent power module

- Measure the resistance between the terminals on the intelligent power module.

<< Measurement point >>

at 6 points

BLK-WHT, WHT-BLK

BLK-RED, RED-BLK

WHT-RED, RED-WHT

<< Judgement >>

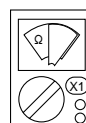
Infinite [Ω].....Normal

0~dozens of .....Abnormal (short)

ohmmeter indication



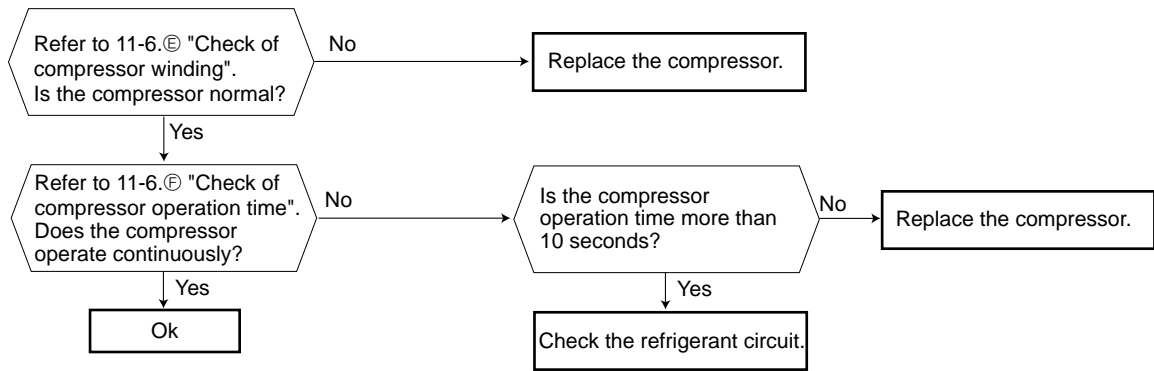
..... Normal (infinite)



..... Abnormal (0~dozens of Ω)



### D Check of compressor



### E Check of compressor winding

- Disconnect the connector (CN61) between the compressor and intelligent power module, and measure the resistance between the compressor terminals.

<<Measurement point>>

at 3 points

BLK-WHT

BLK-RED

WHT-RED

\* Measure the resistance between the lead wires at 3 points.

<<Judgement>>

Refer to 11-5..

0[Ω] .....Abnormal [short]

Infinite[Ω] .....Abnormal [open]

NOTE 1. Be sure to zero the ohmmeter before measurement.

2. Winding resistance for each phase at 20°C .

Refer to 3.SPECIFICATION.

### F Check of compressor operation time

- Connect the compressor and activate the inverter. Then measure the time until the inverter stops due to over current.

<<Operation method>>

Start heating or cooling operation by pressing EMERGENCY OPERATION switch on the indoor unit.

(Test run operation : Refer to 8-3.)

<<Measurement>>

Measure the time from the start of outdoor fan running to the stop of compressor due to over current.

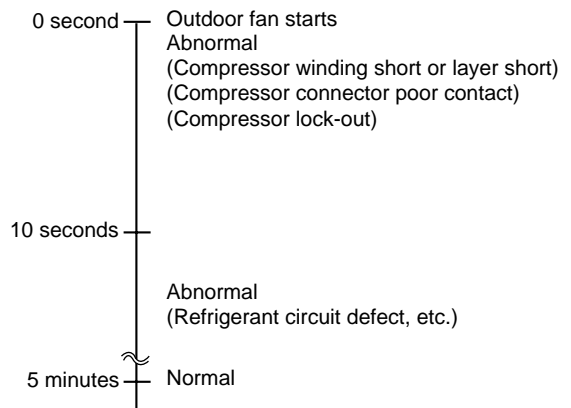
<<Judgement>>

For reference

0-10 seconds.....Abnormal (compressor short or poor contact)  
(compressor lock-out)

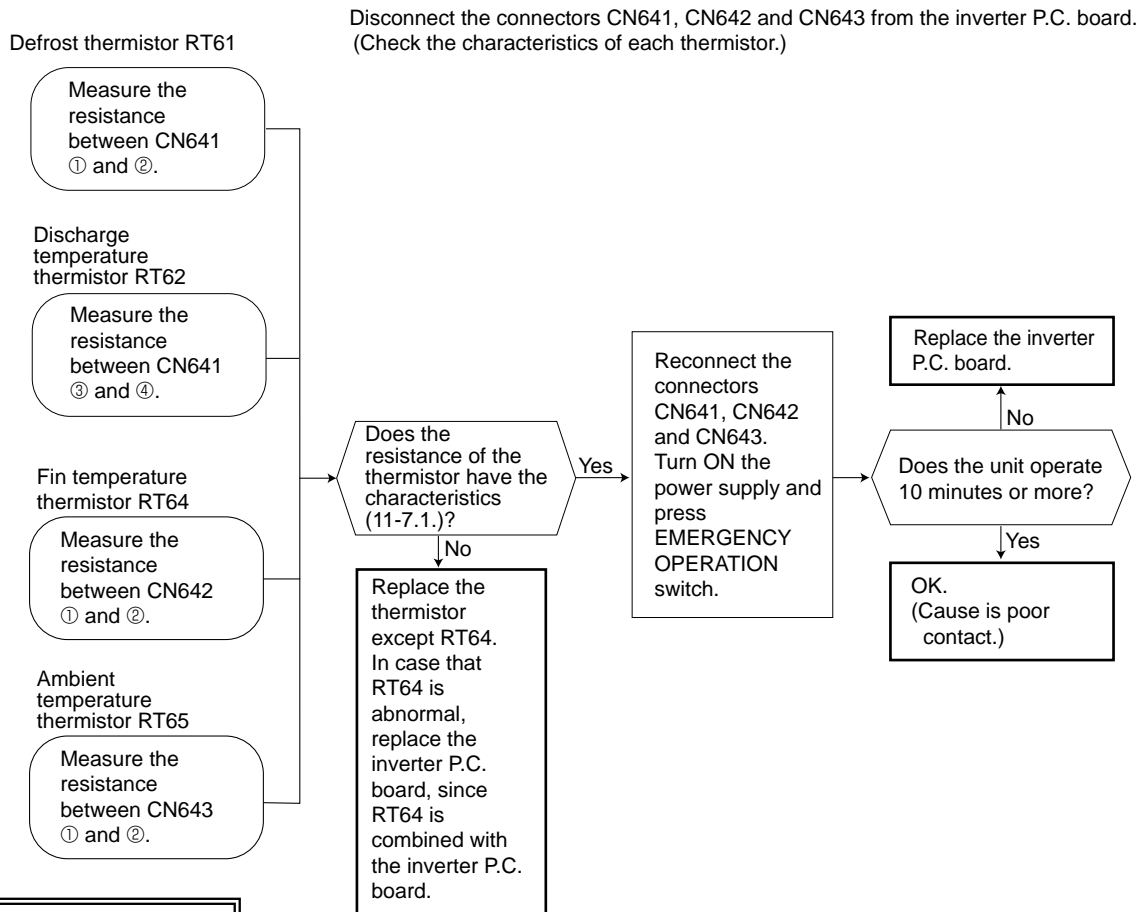
10 seconds-5 minutes.....Abnormal (refrigerant circuit defect)

more than 5 minutes.....Normal



**When POWER lamp flashes 6-time.  
The thermistors in the outdoor unit are abnormal.**

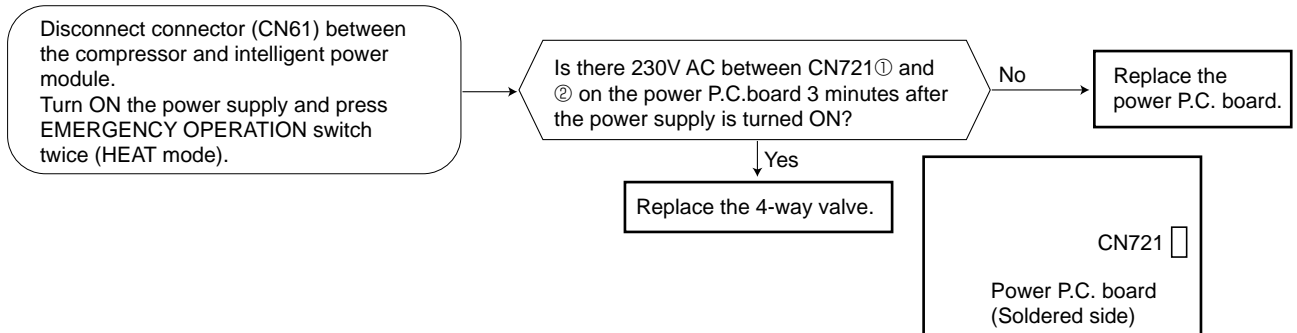
**Ⓒ Check of outdoor thermistors**



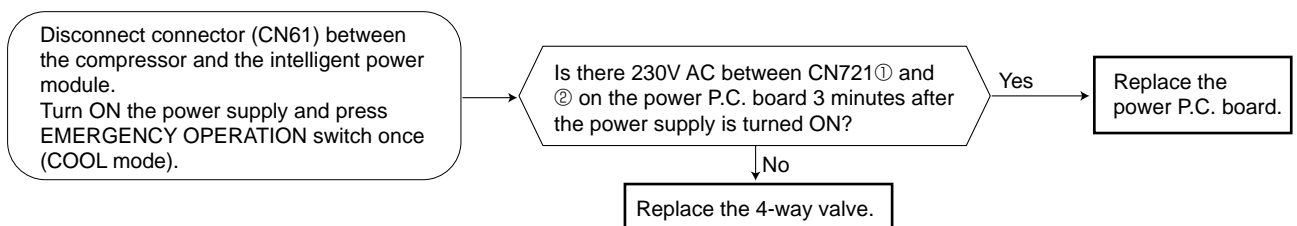
**Ⓓ Check of R.V. coil**

- ※ First of all, measure the resistance of R.V. coil to check if the coil is defective. Refer to 11-5.
- ※ In case CN721 is not connected or R.V. coil is open, voltage is generated between the terminal pins of the connector although any signal is not being transmitted to R.V. coil. Check if CN721 is connected.

**Unit operates COOL mode even if it is set to HEAT mode.**

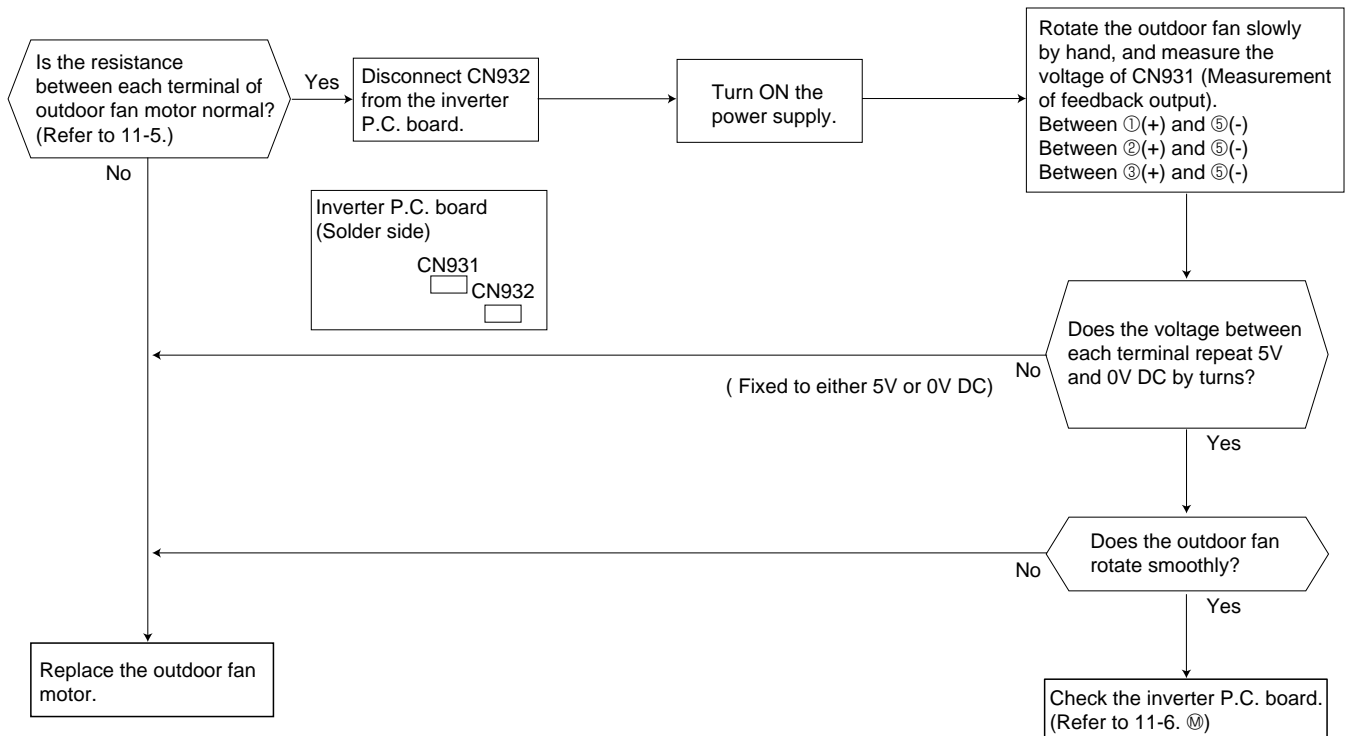


**Unit operates HEAT mode even if it is set to COOL mode.**



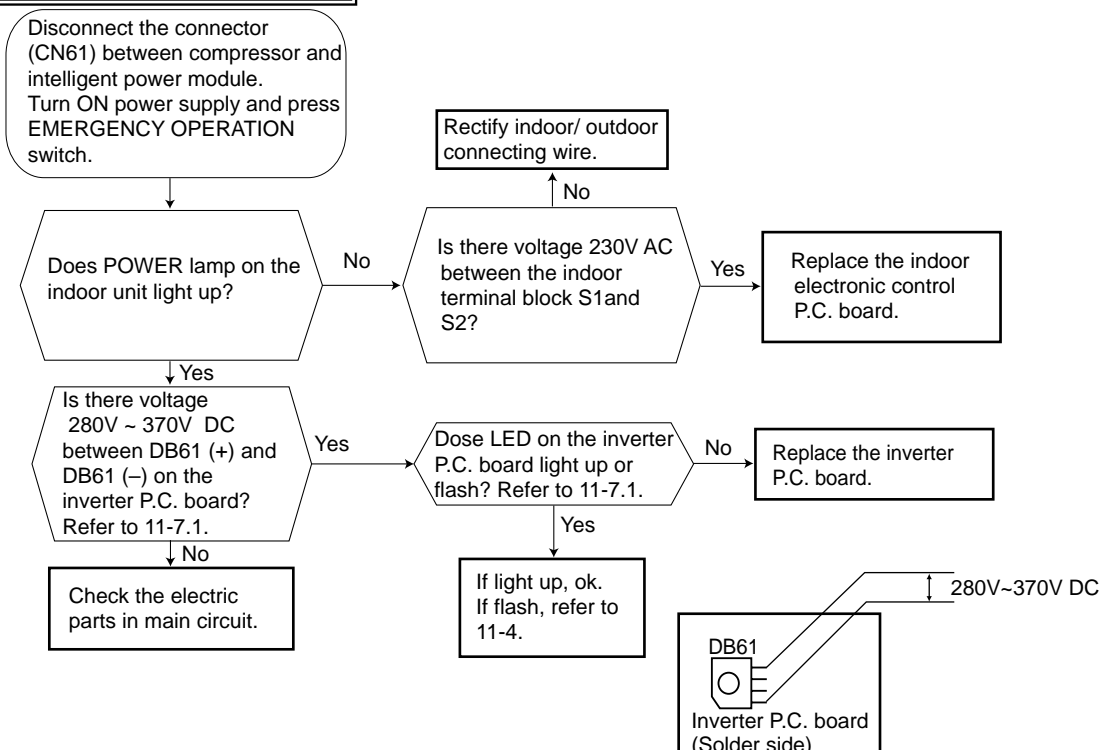
## Outdoor fan motor does not operate.

### ① Check of outdoor fan motor



## Inverter does not operate.

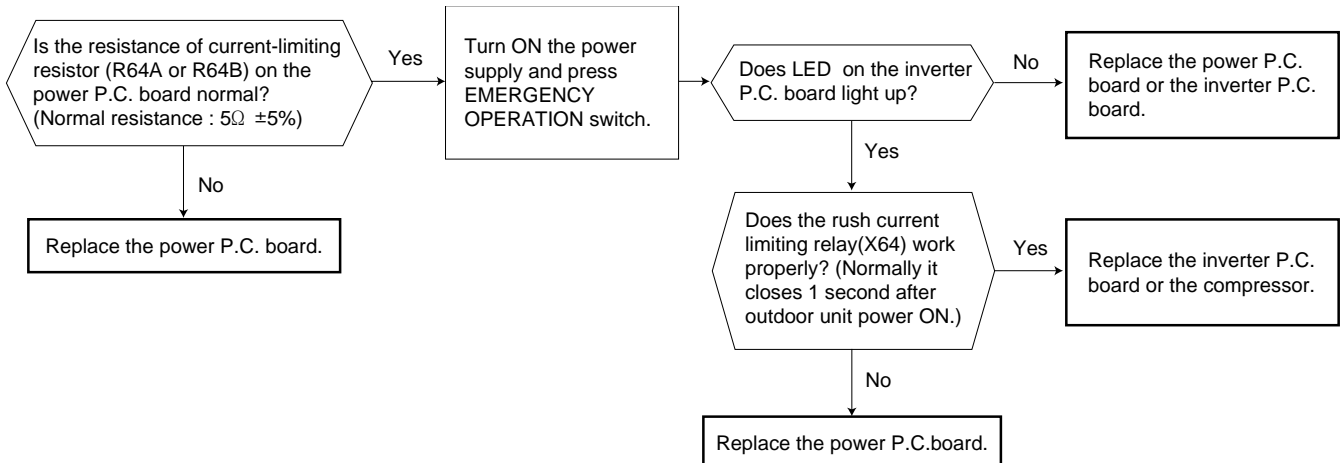
### ② Check of power supply



**Outdoor unit does not operate at all, or stops immediately due to overcurrent.**

**K Check of current-limiting resistor**

When the current-limiting resistor is open, the rush current limiting relay (X64) may not work properly.

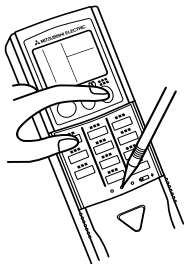


● Check other electric parts in the main circuit together in the case that the current-limiting resistor is defective.

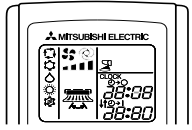
**Heating/Cooling does not work sufficiently.**

**L Check of LEV (Expansion valve)**

Turn ON the power supply.  
 <Preparation of the remote controller>  
 ① While pressing both OPERATION SELECT button and TOO COOL button on the remote controller at the same time, press RESET button.  
 ② First, release RESET button.  
 And release the other two buttons after all LCD except the set temperature in operation display section of the remote controller is displayed after 3 seconds.



Press OPERATE/STOP(ON/OFF) button of the remote controller (the set temperature is displayed) with the remote controller headed towards the indoor unit. ※1



※1. Regardless of normal or abnormal condition, a short beep is emitted once the signal is received.

Expansion valve operates in full-opening direction.

Do you hear the expansion valve "click, click....."?  
 Do you feel the expansion valve vibrate on touching it ?

Is LEV properly fixed to the expansion valve?

Does the resistance of LEV have the characteristics? Refer to 11-5.

Measure each voltage between connector pins of CN724 on the inverter P.C. board.  
 1.Pin③(-) - Pin①(+)  
 2.Pin③(-) - Pin①(+)  
 3.Pin⑤(-) - Pin①(+)  
 4.Pin⑤(-) - Pin①(+)  
 Is there about 3~5V AC between each?  
 NOTE: Measure the voltage by an analog tester.

Replace the LEV.

Properly fix the LEV to the expansion valve.

Replace the inverter P.C. board.

Replace the expansion valve.

NOTE : After check of LEV, do the undermentioned operations.  
 1. Turn OFF the power supply and turn ON it again.  
 2. Press RESET button on the remote controller.

**Outdoor base gets frozen.**

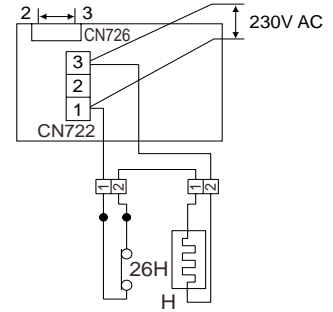
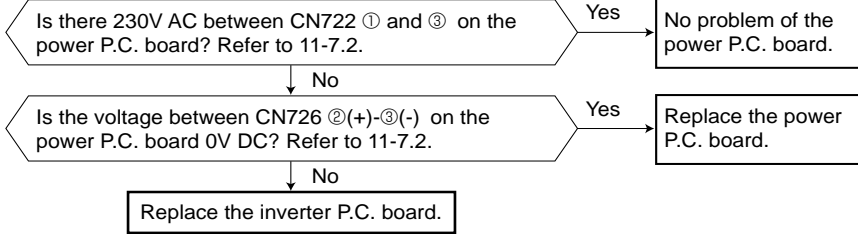
**M Check of defrost heater** <MUZ-FA25VAH MUZ-FA35VAH>

Check the following points before checking electric continuity.

- 1) Does the resistance of ambient temperature thermistor have the characteristics? Refer to 11-7.1.
- 2) Is the resistance of defrost heater normal? Refer to 11-5.
- 3) Does the heater protector remain conducted (not open)?
- 4) Are both ambient temperature thermistor and circuit of defrost heater securely connected to connectors?

In HEAT mode, for more than 5 minutes, let the ambient temperature thermistor continue to read 5°C or less, and let the defrost thermistor continue to read -1°C or less.

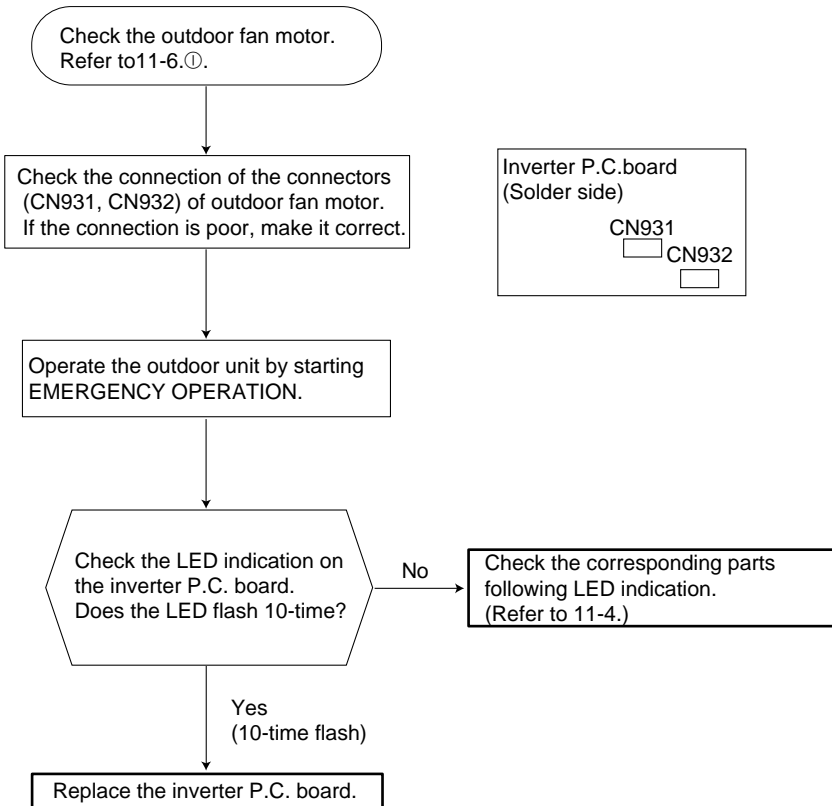
NOTE: In case both thermistors are more than the above temperature, cool them with cold water etc...



**Outdoor fan motor does not operate, or stops immediately after starting up.**

**N Check of inverter P.C. board**

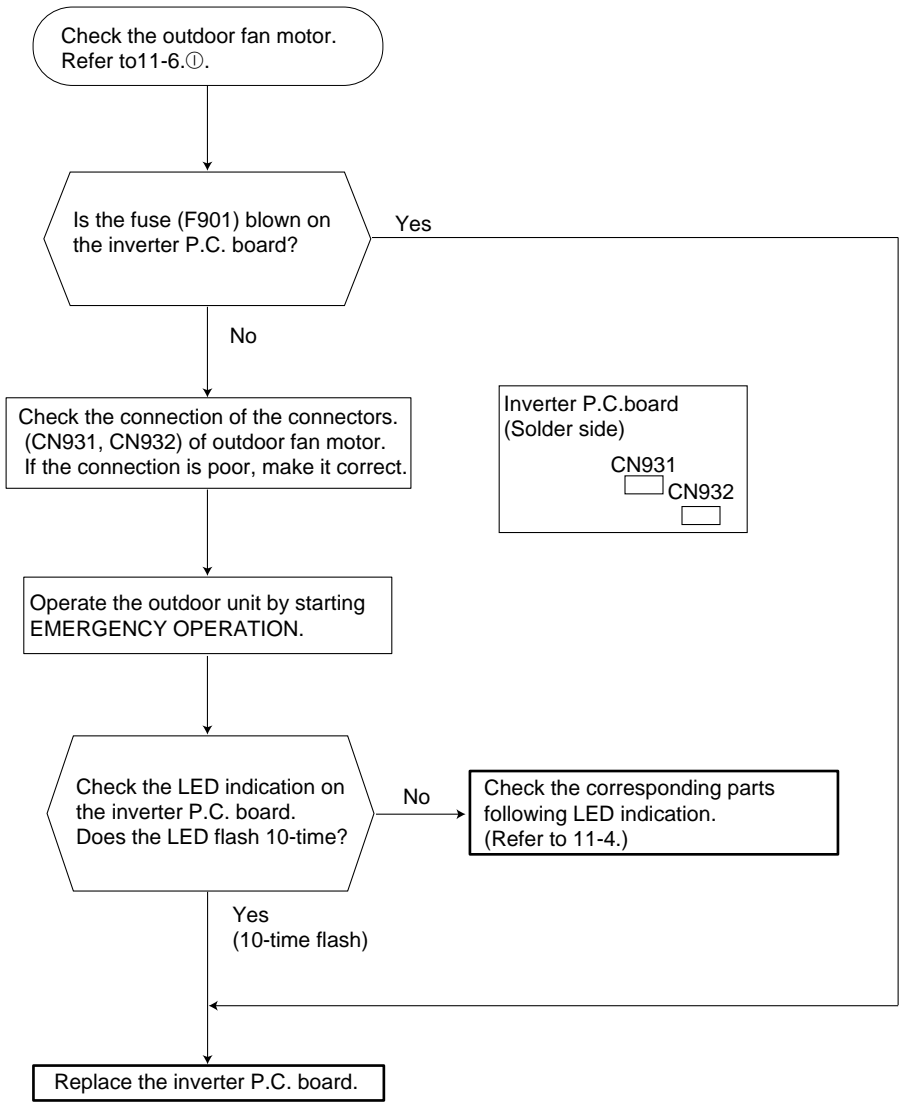
- MUZ-FA25VA (Serial No : ~5002650T)
- MUZ-FA25VAH (Serial No : ~5000400T)
- MUZ-FA35VA (Serial No : ~5003000T)
- MUZ-FA35VAH (Serial No : ~5000400T)



Outdoor fan motor does not operate, or stops immediately after starting up.

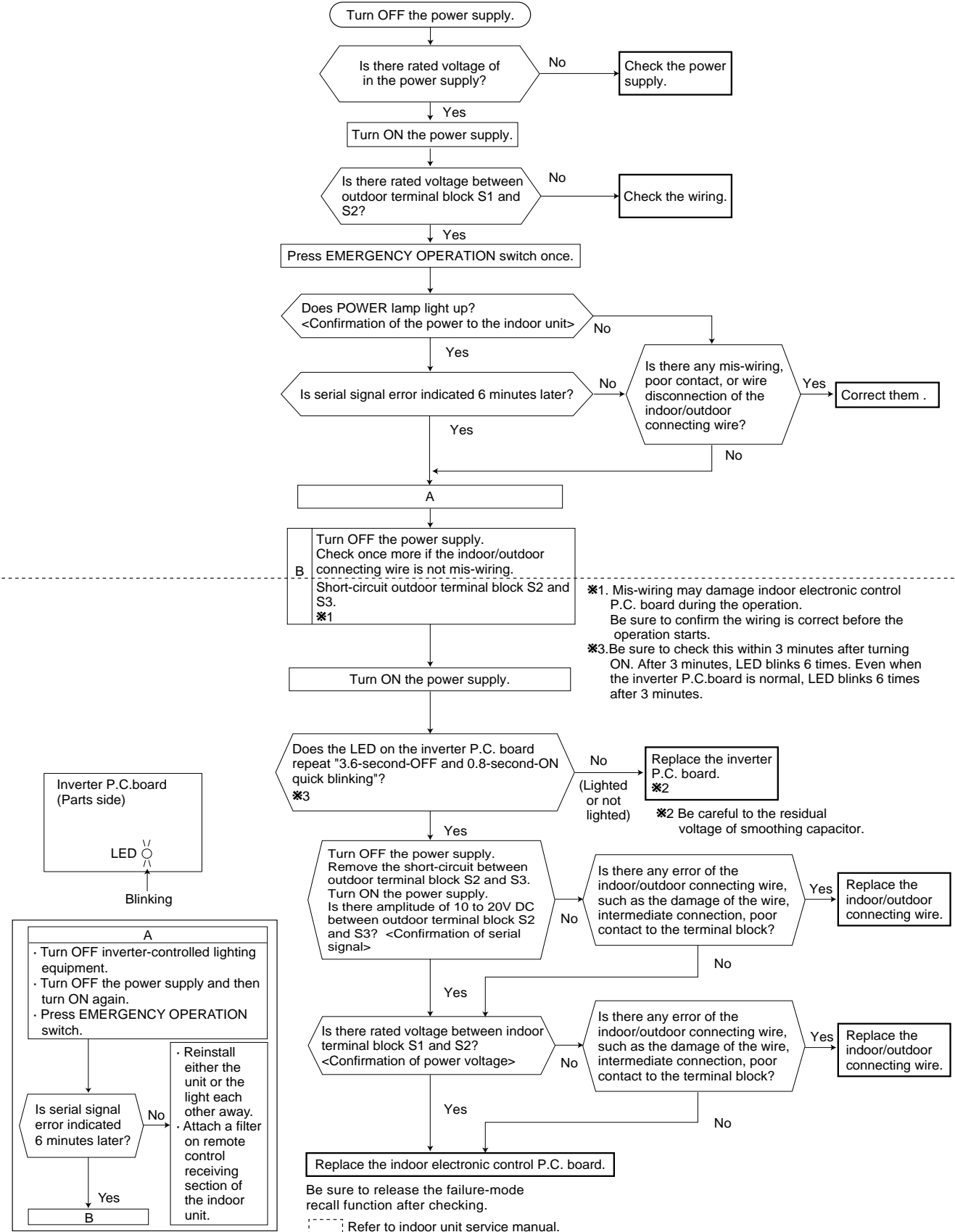
**Ⓝ Check of inverter P.C. board**

- MUZ-FA25VA (Serial No : 5002651T~)**
- MUZ-FA25VAH (Serial No : 5000401T~)**
- MUZ-FA35VA (Serial No : 5003001T~)**
- MUZ-FA35VAH (Serial No : 5000401T~)**



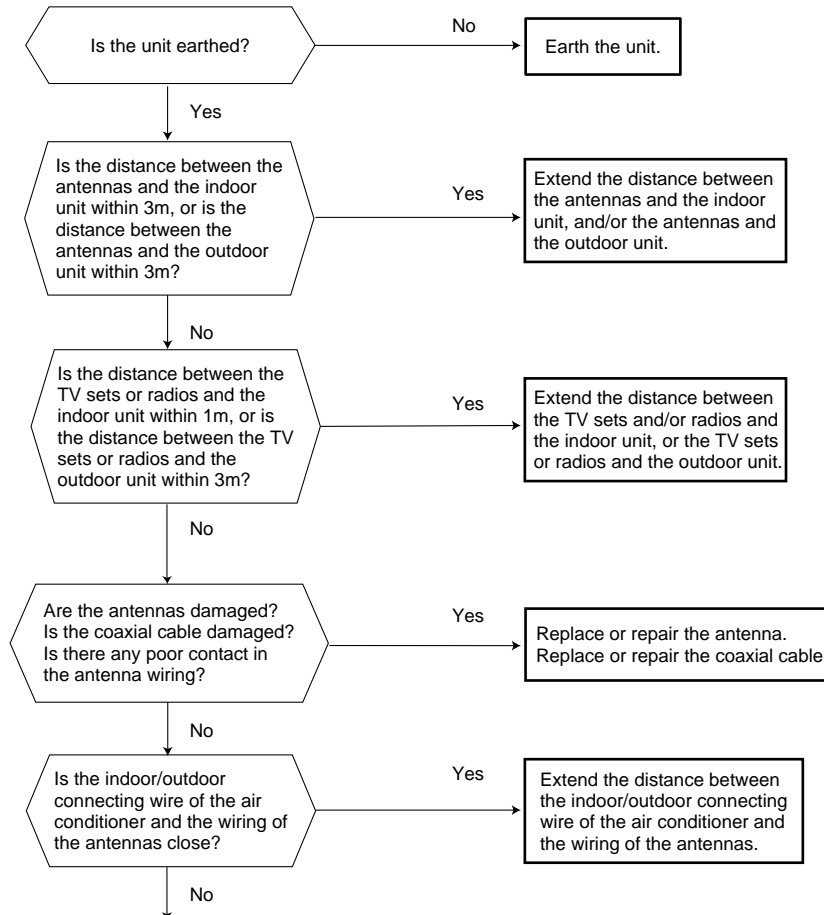
- When unit cannot operate neither by the remote controller nor by EMERGENCY OPERATION switch. Indoor unit does not operate.
- When POWER lamp flashes ON and OFF in every 0.5-second. Outdoor unit doesn't operate.

**○ How to check mis-wiring and serial signal error (when outdoor unit does not work)**





## P Electromagnetic noise enters into TV sets or radios



11-7. Test point diagram and voltage

MUZ-FA25VA (Serial No : ~5002650T)  
 MUZ-FA25VAH (Serial No : ~5000400T)

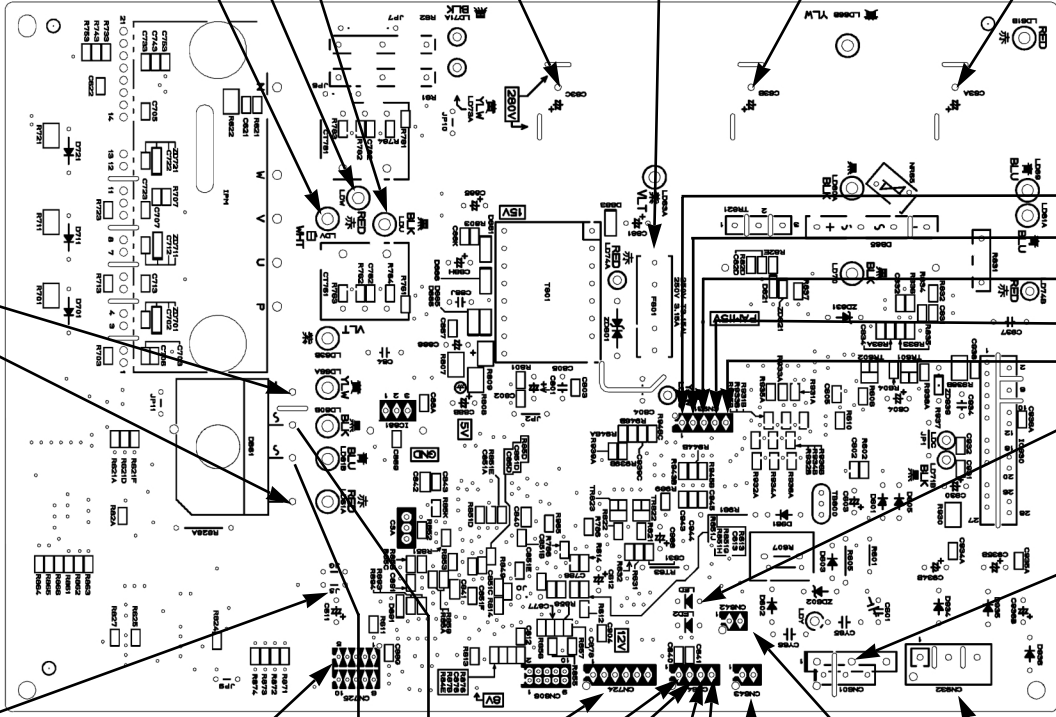
MUZ-FA35VA (Serial No : ~5003000T)  
 MUZ-FA35VAH (Serial No : ~5000400T)

1. Inverter P.C. board

Back side of unit

Output to drive compressor (LDV,LDW,LDU)    Smoothing capacitor (C63C)    FUSE(F801) 250V 3.15A    Smoothing capacitor (C63B)    Smoothing capacitor (C63A)

DB61  
 280V ~ 370V  
 DC  
 (+)    (-)



Rotational frequency feedback signal of outdoor fan motor (CN931)

Connector for indoor/out-door communication (CN601)

Jumper wire for change in defrost setting (JS)

Front side of unit

Connecting wire with power P.C. board (CN725)

230V AC DB61

LEV connector (CN724)

Defrost thermistor/RT61 (CN641)

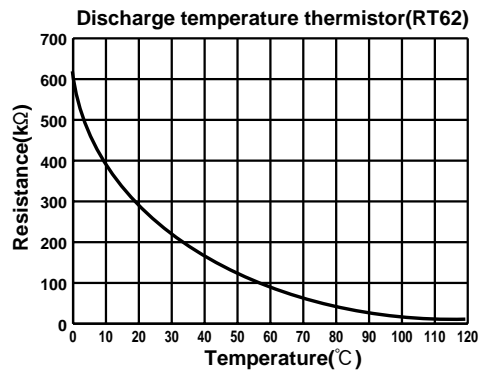
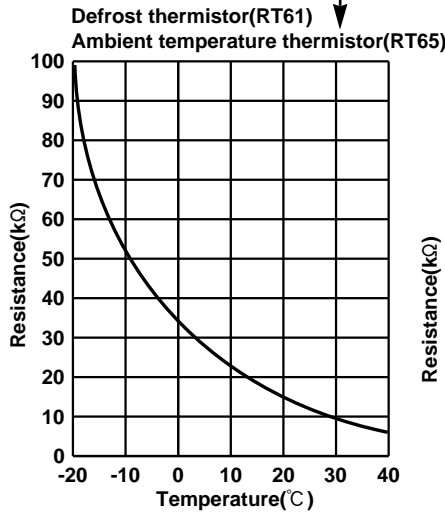
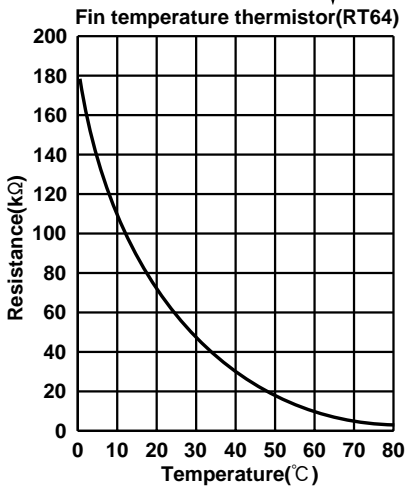
Discharge temperature thermistor/RT62 (CN641)

Ambient temperature thermistor /RT65 (CN643)

Fin temperature thermistor/RT64 (CN642)

Output to drive outdoor fan motor (CN932)

LED monitor lamp

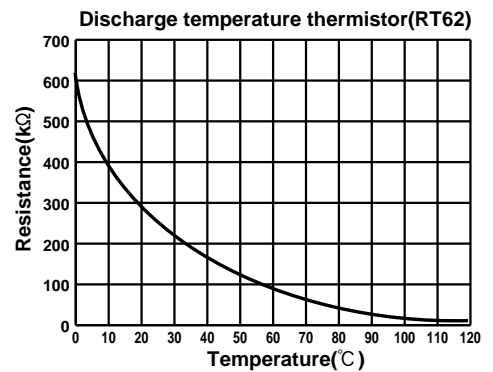
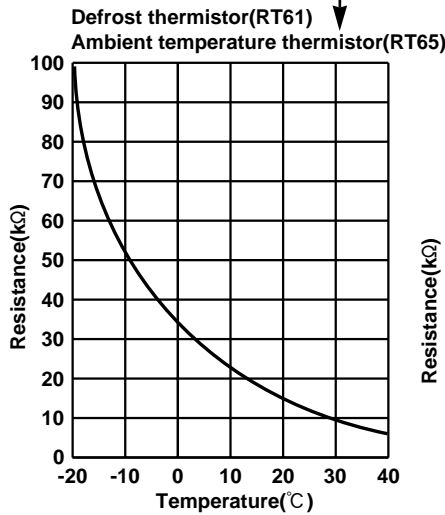
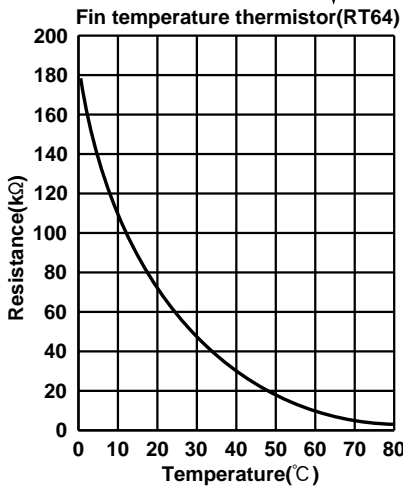
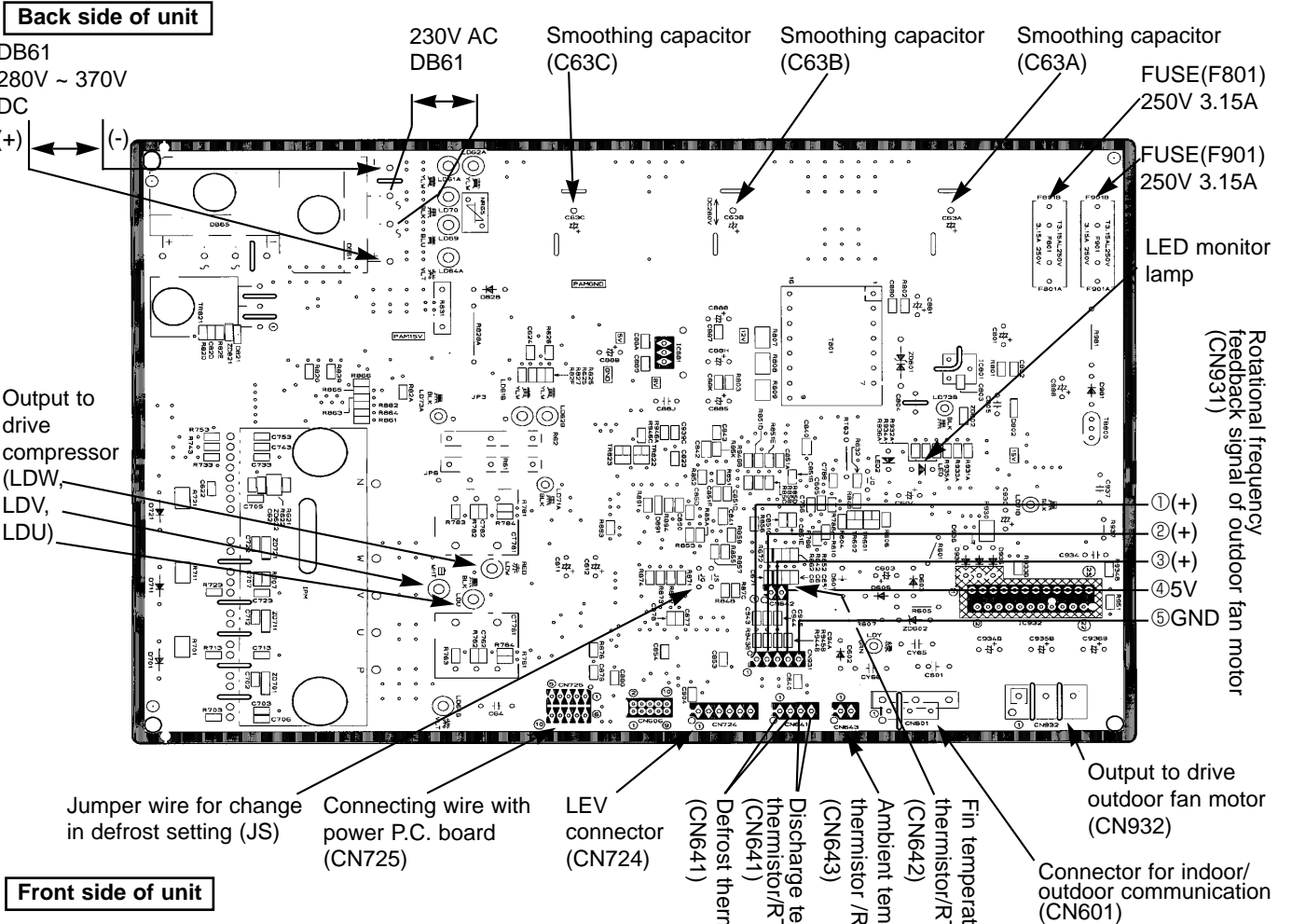


11-7. Test point diagram and voltage

MUZ-FA25VA (Serial No : 5002651T~)  
 MUZ-FA25VAH (Serial No : 5000401T~)

MUZ-FA35VA (Serial No : 5003001T~)  
 MUZ-FA35VAH (Serial No : 5000401T~)

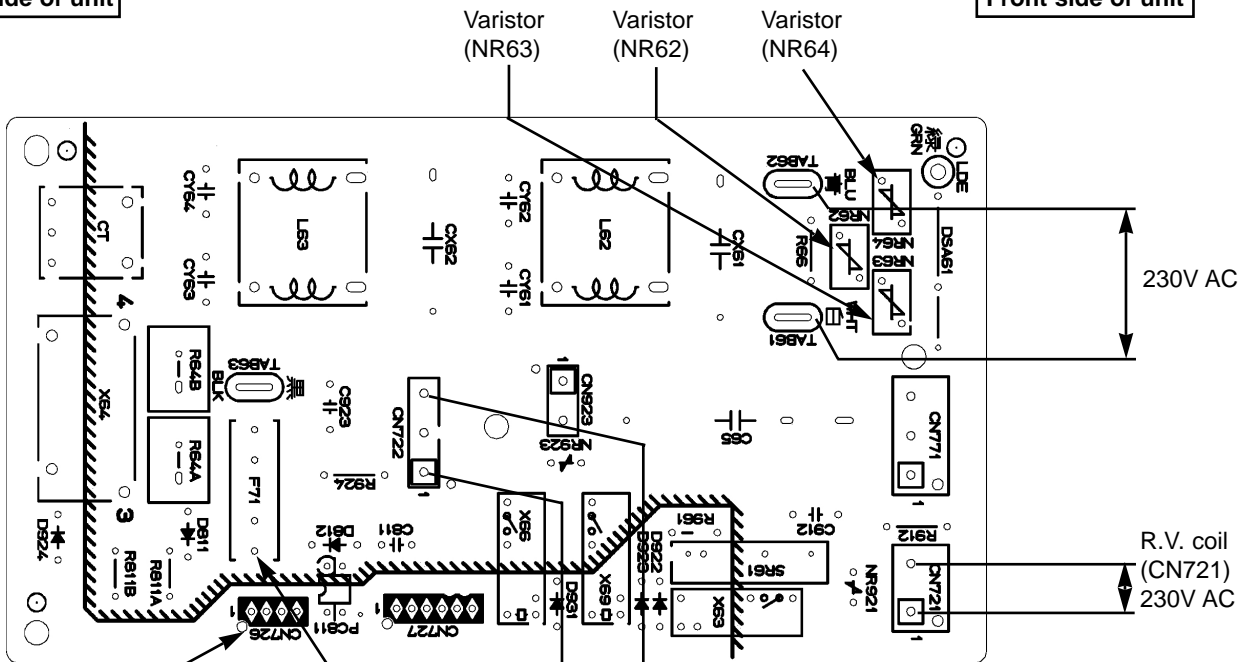
1. Inverter P.C. board



**MUZ-FA25VA MUZ-FA35VA**  
**MUZ-FA25VAH MUZ-FA35VAH**  
 2. Power P.C. board

**Back side of unit**

**Front side of unit**



Connecting wire with  
 inverter P.C.board  
 (CN726)  
 Refer to 11-6.Ⓜ

FUSE(F71)  
 250V 3.15A

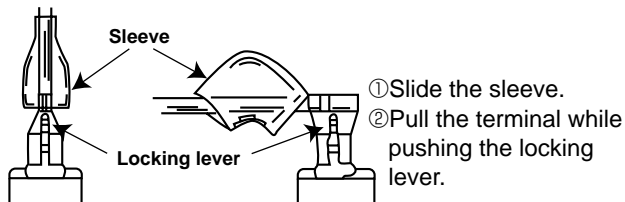
230V AC  
 Heater connector  
 (CN722)  
 Refer to 11-6.Ⓜ

**MUZ-FA25VAH**  
**MUZ-FA35VAH**

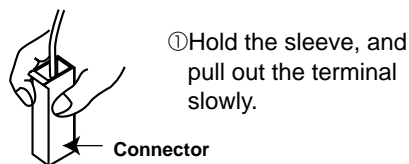
<"Terminal with locking mechanism" Detaching points>

The terminal which has the locking mechanism can be detached as shown below.  
 There are two types ( Refer to (1) and (2) ) of the terminal with locking mechanism.  
 The terminal without locking mechanism can be detached by pulling it out.  
 Check the shape of the terminal before detaching.

(1) Slide the sleeve and check if there is a locking lever or not.



(2) The terminal with this connector has the locking mechanism.



MUZ-FA25VA  
 MUZ-FA25VAH

MUZ-FA35VA  
 MUZ-FA35VAH

OPERATING PROCEDURE	PHOTOS
<p><b>1. Removing the cabinet</b></p> <p>(1) Remove the screw fixing the service panel. (See Photo 2.)                      (2) Pull down the service panel and remove it. (See Photo 2.)                      (3) Disconnect the power supply and indoor/outdoor connecting wire.                      (4) Remove the screws fixing the top panel. (See Photo 1.)                      (5) Remove the top panel. (See Photo 1.)                      (6) Remove the screws fixing the cabinet. (See Photo 1, 2.)                      (7) Remove the cabinet.                      (8) Remove the screws fixing the back panel.                      (9) Remove the back panel. (See Photo 1.)</p> <p><b>Photo 2</b></p>	<p><b>Photo 1</b></p>

## OPERATING PROCEDURE

### 2. Removing the inverter assembly, inverter P.C. board and power P.C. board

- (1) Remove the top panel, cabinet and service panel. (Refer to 1.)
- (2) Disconnect the power supply and indoor/outdoor connecting wire and remove the back panel. (Refer to 1.)
- (3) Disconnect the ground wires(See Photo 3.), the lead wire to the reactor and the following connectors;  
<Power P.C. board>  
CN721 (4-way valve)  
CN722 (Defrost heater) MUZ-FA25/FA35VAH  
<Inverter P.C. board>  
CN931,CN932 (Fan motor)  
CN641 (Defrost thermistor and discharge temperature thermistor)  
CN643 (Ambient temperature thermistor)  
CN724 (LEV)
- (4) Remove the compressor connector (CN61).
- (5) Remove the screws fixing the relay panel. (See Photo 3.)
- (6) Remove the inverter assembly. (See Photo 4.)
- (7) Disconnect all connectors and lead wires on the inverter P.C. board. (See Photo 4.)
- (8) Remove the inverter P.C. board from the inverter assembly.
- (9) Remove the screw fixing the power P.C. board. (See Photo 4.)
- (10) Disconnect all connectors and lead wires on the power P.C. board.
- (11) Remove the power P.C. board from the inverter assembly.

### 3. Removing R.V. coil

- (1) Remove the top panel, cabinet and service panel. (Refer to 1.)
- (2) Disconnect the power supply and indoor/outdoor connecting wire and remove the back panel. (Refer to 1.)
- (3) Remove the inverter assembly. (Refer to 2.)
- (4) Remove the R.V. coil. (See Photo 5.)

### 4. Removing the discharge temperature thermistor and defrost thermistor

- (1) Remove the top panel, cabinet and service panel. (Refer to 1.)
- (2) Disconnect the power supply and indoor/outdoor connecting wire and remove the back panel. (Refer to 1.)
- (3) Remove the inverter assembly. (Refer to 2.)
- (4) Pull out the discharge temperature thermistor from its holder. (See Photo 5.)
- (5) Pull out the defrost thermistor from its holder. (See Photo 6.)

## PHOTOS

Photo 3

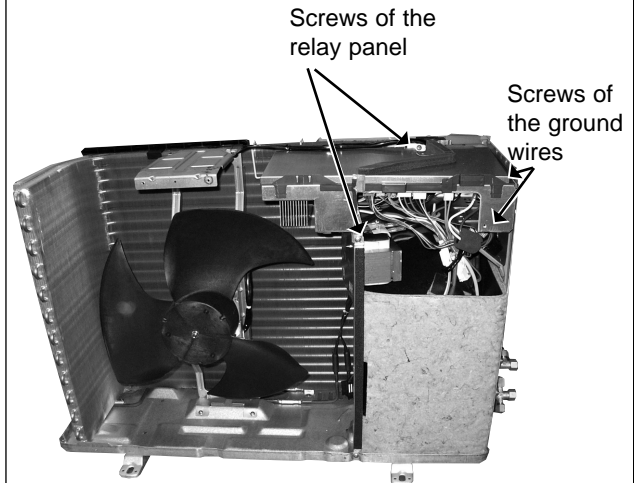


Photo 4 (Inverter assembly)

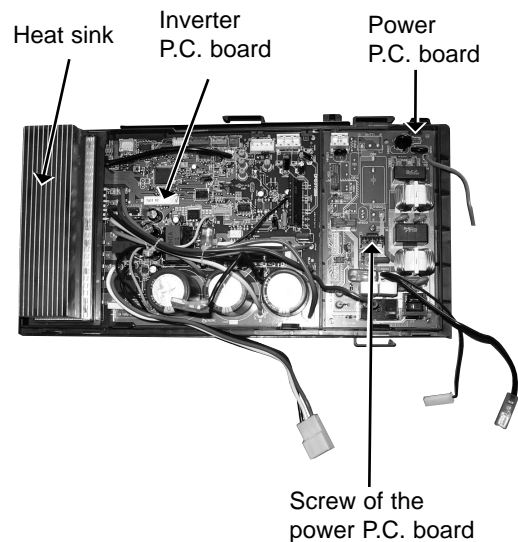
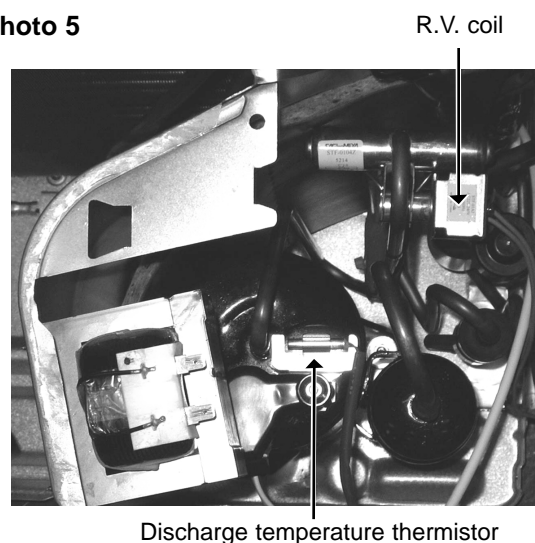


Photo 5



## OPERATING PROCEDURE

### 5. Removing outdoor fan motor

- (1) Remove the top panel, cabinet and service panel. (Refer to 1.)
- (2) Disconnect the power supply and indoor/outdoor connecting wire and remove the back panel. (Refer to 1.)
- (3) Disconnect the connectors for outdoor fan motor.
- (4) Remove the propeller nut.
- (5) Remove the propeller. (See Photo 7.)
- (6) Remove the screws fixing the fan motor. (See Photo 7.)
- (7) Remove the fan motor.

### 6. Removing the compressor and 4-way valve

- (1) Remove the top panel, cabinet and service panel. (Refer to 1.)
- (2) Disconnect the power supply and indoor/outdoor connecting wire and remove the back panel. (Refer to 1.)
- (3) Remove the inverter assembly. (Refer to 2.)
- (4) Recover gas from the refrigerant circuit.  
**NOTE:** Recover gas from the pipes until the pressure gauge shows 0 kg/cm<sup>2</sup> (0 MPa).
- (5) Detach the welded part of the suction and the discharge pipe connected with compressor.
- (6) Remove the nuts of compressor legs.
- (7) Remove the compressor.
- (8) Detach the welded part of pipes connected with 4-way valve. (See Photo 8.)

## PHOTOS

Photo 6

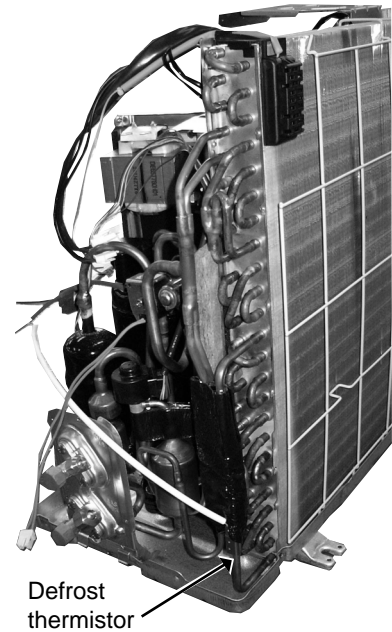
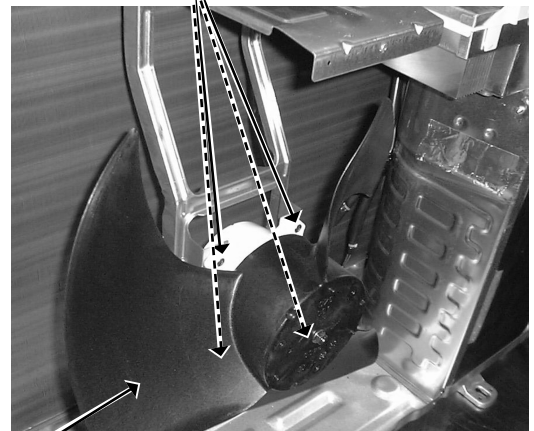


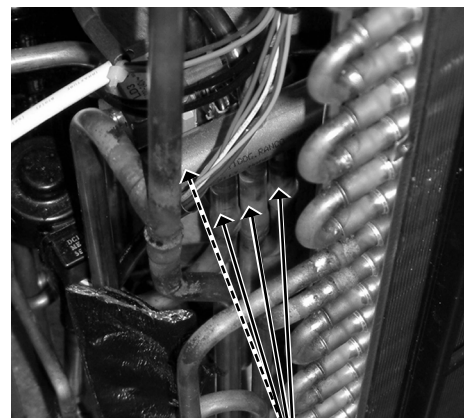
Photo 7

Screws of the outdoor fan motor



Propeller

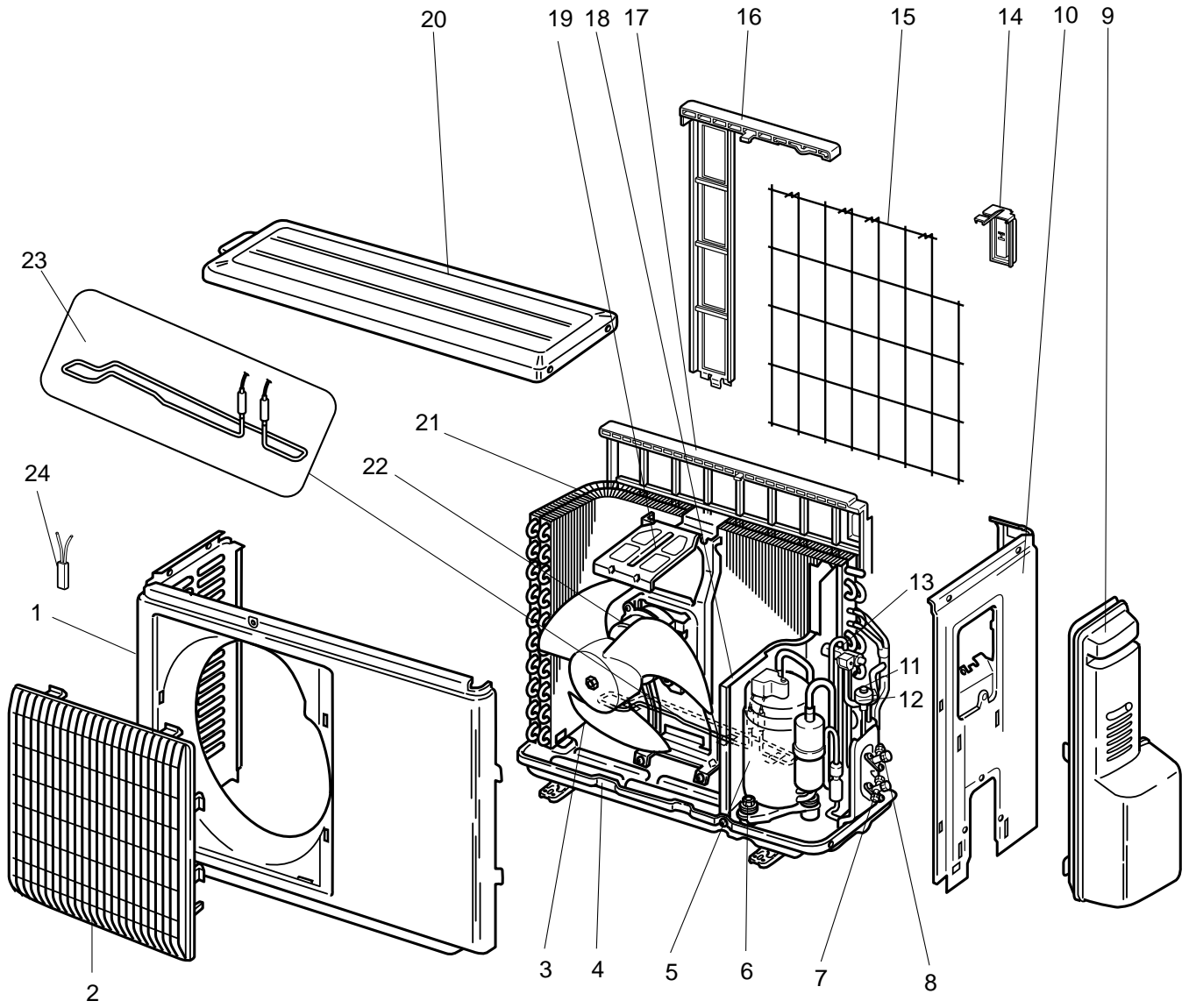
Photo 8



Welded parts of 4-way valve

MUZ-FA25VA MUZ-FA35VA  
 MUZ-FA25VAH MUZ-FA35VAH

**13-1. OUTDOOR UNIT STRUCTURAL PARTS AND FUNCTIONAL PARTS**





# PARTS LIST (non-RoHS compliant)

**MUZ-FA25VA    MUZ-FA35VA**  
**MUZ-FA25VAH    MUZ-FA35VAH**

## 13-1. OUTDOOR UNIT STRUCTURAL PARTS AND FUNCTIONAL PARTS

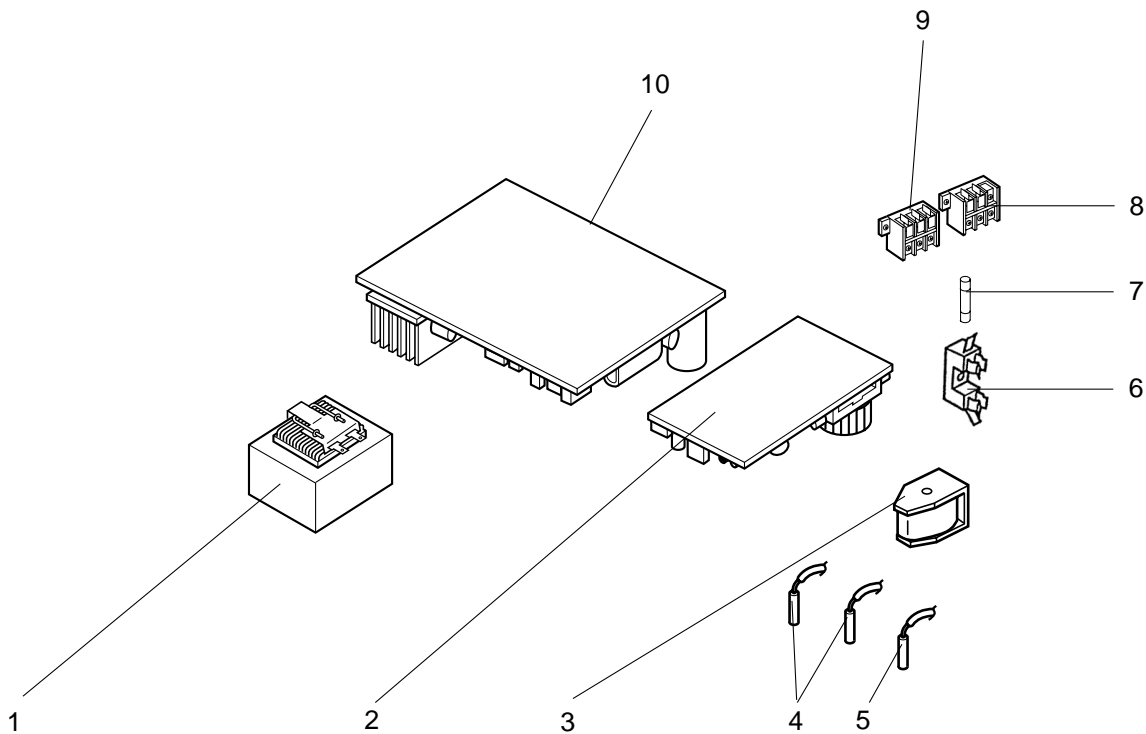
Part number that is circled is not shown in the illustration.

No.	Part No.	Part Name	Symbol in Wiring Diagram	Q'ty/unit				Remarks
				MUZ- FA25VA- [E1]	MUZ- FA25VAH- [E1]	MUZ- FA35VA- [E1]	MUZ- FA35VAH- [E1]	
1	E02 927 232	CABINET		1	1	1	1	
2	E02 927 521	GRILLE		1	1	1	1	
3	E02 927 501	PROPELLER		1	1	1	1	
4	E02 927 290	BASE		1		1		
	E02 928 290	BASE			1		1	
5	E02 927 900	COMPRESSOR	MC	1	1			KNB073FDVH
	E02 929 900	COMPRESSOR	MC			1	1	KNB092FCAH
6	E02 065 506	COMPRESSOR RUBBER SET		3	3	3	3	3RUBBERS/SET
7	E02 927 661	STOP VALVE (GAS)		1	1	1	1	φ9.52
8	E02 927 662	STOP VALVE (LIQUID)		1	1	1	1	φ6.35
9	E02 927 245	SERVICE PANEL		1	1	1	1	
10	E02 927 233	BACK PANEL		1	1	1	1	
11	E02 927 640	EXPANSION VALVE		1	1			
	E02 838 640	EXPANSION VALVE				1	1	
12	E02 927 493	EXPANSION VALVE COIL	LEV	1	1	1	1	
13	E02 927 961	4-WAY VALVE		1	1	1	1	
14	E02 928 079	THERMO HOLDER			1			
	E02 930 079	THERMO HOLDER					1	
15	E02 928 525	CONDENSER WIRE NET			1			
	E02 930 525	CONDENSER WIRE NET					1	
16	E02 928 523	CONDENSER NET			1			
	E02 930 523	CONDENSER NET					1	
17	E02 838 523	CONDENSER NET		1				
	E02 929 523	CONDENSER NET				1		
18	E02 927 293	SEPARATOR		1				
	E02 928 293	SEPARATOR			1			
	E02 929 293	SEPARATOR				1		
	E02 930 293	SEPARATOR					1	
19	E02 927 515	MOTOR SUPPORT		1	1			
	E02 929 515	MOTOR SUPPORT				1	1	
20	E02 927 297	TOP PANEL		1	1	1	1	
21	E02 927 630	OUTDOOR HEAT EXCHANGER		1	1			
	E02 929 630	OUTDOOR HEAT EXCHANGER				1	1	
22	E02 927 301	OUTDOOR FAN MOTOR	MF	1	1	1	1	RC0J50-□□
23	E02 840 526	DEFROST HEATER	H		1		1	
24	E02 840 381	HEATER PROTECTOR	26H		1		1	
25	E02 927 937	CAPILLARY TUBE		1	1			φ3.0×φ2.0×240
	E02 735 936	CAPILLARY TUBE				2	2	φ3.0×φ1.8×600

# PARTS LIST (non-RoHS compliant)

MUZ-FA25VA MUZ-FA35VA  
 MUZ-FA25VAH MUZ-FA35VAH

## 13-2. OUTDOOR UNIT ELECTRICAL PARTS

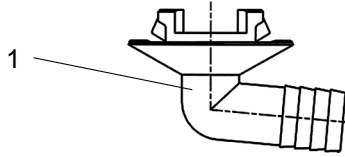


Part numbers that are circled are not shown in the illustration.

No.	Part No.	Part Name	Symbol in Wiring Diagram	Q'ty/unit				Remarks
				MUZ-FA25VA- E1	MUZ-FA25VAH- E1	MUZ-FA35VA- E1	MUZ-FA35VAH- E1	
1	E02 838 337	REACTOR	L61	1	1	1	1	
2	E02 927 444	POWER P.C. BOARD		1		1		
	E02 931 444	POWER P.C. BOARD			1		1	
3	E02 927 490	R.V. COIL	21S4	1	1	1	1	
4	E02 927 306	THERMISTOR SET	RT61,RT62	1	1	1	1	DEFROST, DISCHARGE
5	E02 927 308	AMBIENT TEMPERATURE THERMISTOR	RT65	1	1	1	1	
6	E02 735 241	FUSE HOLDER		1	1	1	1	
7	E02 735 382	FUSE	F61	1	1	1	1	T20AL250V
8	E02 573 375	TERMINAL BLOCK	TB1	1	1	1	1	3P
9	E02 927 374	TERMINAL BLOCK	TB2	1	1	1	1	3P
10	E02 B42 451	INVERTER P.C. BOARD		1				Including heat sink and RT64
	E02 B43 451	INVERTER P.C. BOARD			1			Including heat sink and RT64
	E02 929 451	INVERTER P.C. BOARD				1		Including heat sink and RT64
	E02 930 451	INVERTER P.C. BOARD					1	Including heat sink and RT64
⑪	E02 127 382	FUSE	F71,F801,F901	1	1	1	1	T3.15AL250V
⑫	E02 661 385	VARISTOR	NR62,NR63,NR64	1	1	1	1	
⑬	E02 927 385	VARISTOR		1	1	1	1	

# PARTS LIST (non-RoHS compliant)

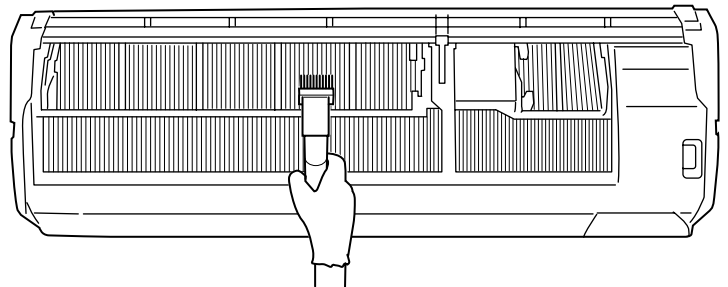
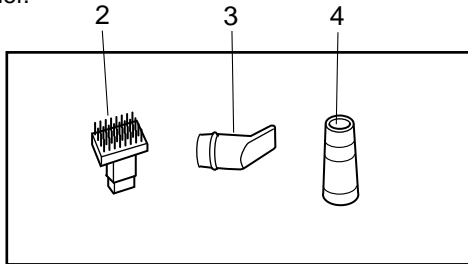
## MUZ-FA25VA MUZ-FA35VA 13-3. DRAIN SOCKET



No.	Parts No.	Parts Name	Symbol in Wiring Diagram	Q'ty/unit		Remarks
				MUZ-FA25VA- E1	MUZ-FA35VA- E1	
1	E02 838 704	DRAIN SOCKET		1	1	

## MUZ-FA25VA MUZ-FA35VA MUZ-FA25VAH MUZ-FA35VAH 13-4. QUICK CLEAN KIT

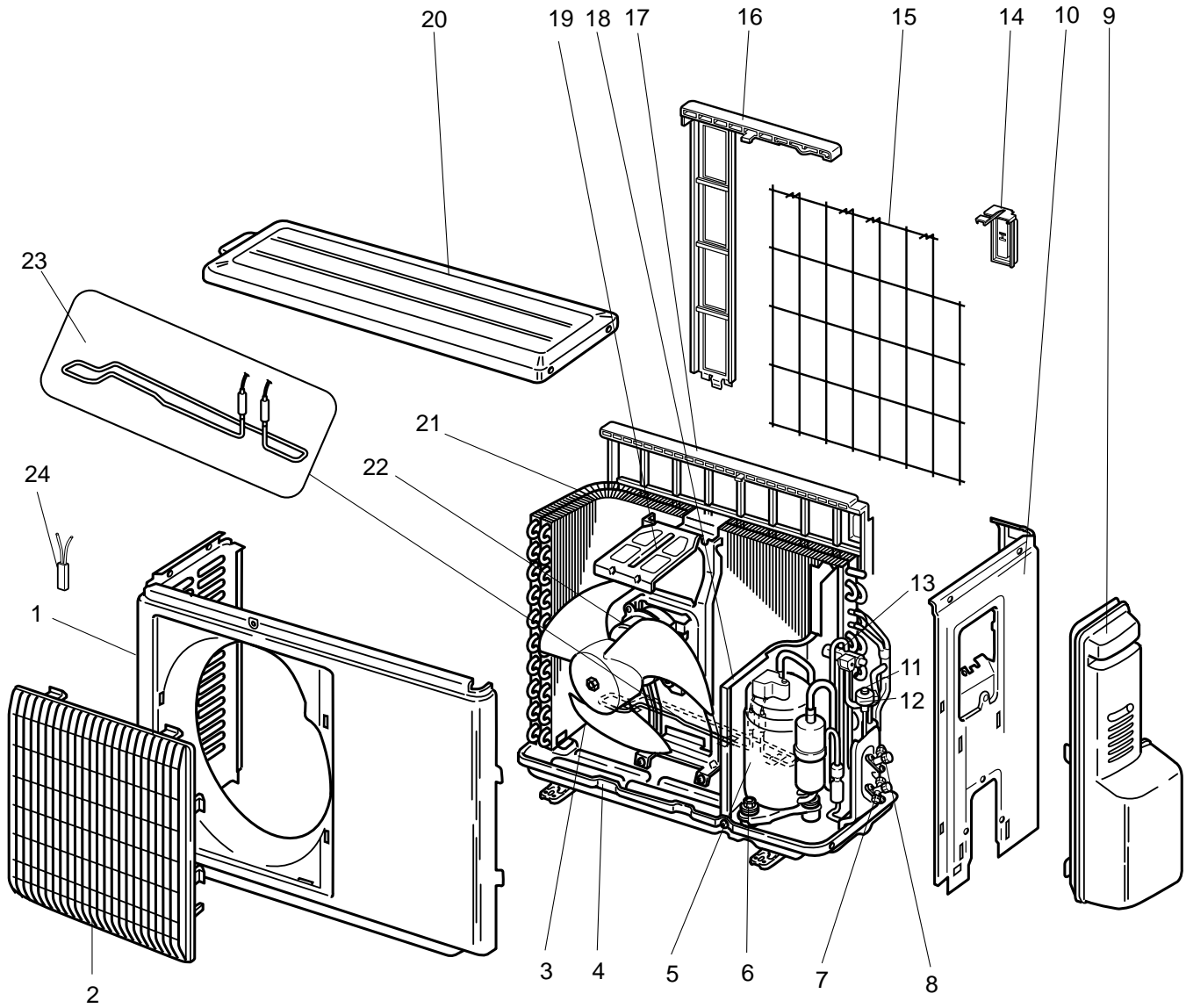
● You can clean the surface of the heat exchanger and line flow fan if you attach QUICK CLEAN KIT to your vacuum cleaner.



No.	Parts No.	Parts Name	Symbol in Wiring Diagram	Q'ty/unit				Remarks
				MUZ-FA25VA- E1	MUZ-FA25VAH- E1	MUZ-FA35VA- E1	MUZ-FA35VAH- E1	
2	E02 927 113	BRUSH		1	1	1	1	
3	E02 927 115	NOZZLE		1	1	1	1	
4	E02 927 112	UNIVERSAL ADAPTER		1	1	1	1	

MUZ-FA25VA MUZ-FA35VA  
 MUZ-FA25VAH MUZ-FA35VAH

14-1. OUTDOOR UNIT STRUCTURAL PARTS AND FUNCTIONAL PARTS



# RoHS PARTS LIST (RoHS compliant)

**MUZ-FA25VA    MUZ-FA35VA**  
**MUZ-FA25VAH    MUZ-FA35VAH**

## 14-1. OUTDOOR UNIT STRUCTURAL PARTS AND FUNCTIONAL PARTS

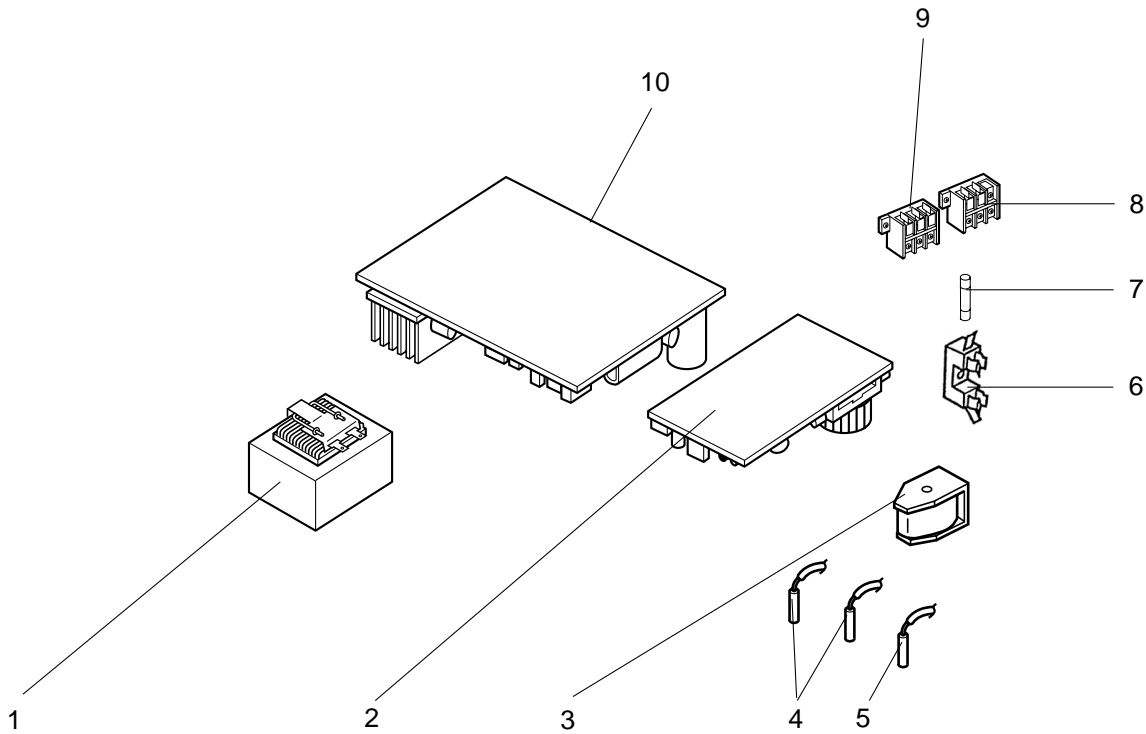
Part number that is circled is not shown in the illustration.

No.	RoHS	Part No.	Part Name	Symbol in Wiring Diagram	Q'ty/unit				Remarks
					MUZ- FA25VA- [E1]	MUZ- FA25VAH- [E1]	MUZ- FA35VA- [E1]	MUZ- FA35VAH- [E1]	
1	G	E12 927 232	CABINET		1	1	1	1	
2	G	E12 927 521	GRILLE		1	1	1	1	
3	G	E12 927 501	PROPELLER		1	1	1	1	
4	G	E12 927 290	BASE		1		1		
	G	E12 928 290	BASE			1		1	
5	G	E12 927 900	COMPRESSOR	MC	1	1			KNB073FDVH
	G	E12 929 900	COMPRESSOR	MC			1	1	KNB092FCAH
6	G	E12 065 506	COMPRESSOR RUBBER SET		3	3	3	3	3RUBBERS/SET
7	G	E12 927 661	STOP VALVE (GAS)		1	1	1	1	φ9.52
8	G	E12 927 662	STOP VALVE (LIQUID)		1	1	1	1	φ6.35
9	G	E12 927 245	SERVICE PANEL		1	1	1	1	
10	G	E12 927 233	BACK PANEL		1	1	1	1	
11	G	E12 927 640	EXPANSION VALVE		1	1			
	G	E12 838 640	EXPANSION VALVE				1	1	
12	G	E12 927 493	EXPANSION VALVE COIL	LEV	1	1	1	1	
13	G	E12 927 961	4-WAY VALVE		1	1	1	1	
14	G	E12 928 079	THERMO HOLDER			1			
	G	E12 930 079	THERMO HOLDER					1	
15	G	E12 928 525	CONDENSER WIRE NET			1			
	G	E12 930 525	CONDENSER WIRE NET					1	
16	G	E12 928 523	CONDENSER NET			1			
	G	E12 930 523	CONDENSER NET					1	
17	G	E12 838 523	CONDENSER NET		1				
	G	E12 929 523	CONDENSER NET				1		
18	G	E12 927 293	SEPARATOR		1				
	G	E12 928 293	SEPARATOR			1			
	G	E12 929 293	SEPARATOR				1		
	G	E12 930 293	SEPARATOR					1	
19	G	E12 927 515	MOTOR SUPPORT		1	1			
	G	E12 929 515	MOTOR SUPPORT				1	1	
20	G	E12 927 297	TOP PANEL		1	1	1	1	
21	G	E12 927 630	OUTDOOR HEAT EXCHANGER		1	1			
	G	E12 929 630	OUTDOOR HEAT EXCHANGER				1	1	
22	G	E12 927 301	OUTDOOR FAN MOTOR	MF	1	1	1	1	RC0J50- □ □
23	G	E12 840 526	DEFROST HEATER	H		1		1	
24	G	E12 840 381	HEATER PROTECTOR	26H		1		1	
25	G	E12 927 937	CAPILLARY TUBE		1	1			φ3.0×φ2.0×240
	G	E12 735 936	CAPILLARY TUBE				2	2	φ3.0×φ1.8×600

# RoHS PARTS LIST (RoHS compliant)

MUZ-FA25VA MUZ-FA35VA  
 MUZ-FA25VAH MUZ-FA35VAH

## 14-2. OUTDOOR UNIT ELECTRICAL PARTS

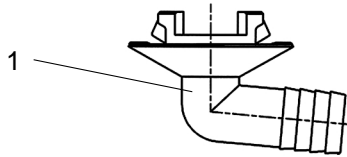


Part numbers that are circled are not shown in the illustration.

No.	RoHS	Part No.	Part Name	Symbol in Wiring Diagram	Q'ty/unit				Remarks
					MUZ-FA25VA- [E1]	MUZ-FA25VAH- [E1]	MUZ-FA35VA- [E1]	MUZ-FA35VAH- [E1]	
1	G	E12 838 337	REACTOR	L61	1	1	1	1	
2	G	E12 927 444	POWER P.C. BOARD		1		1		
	G	E12 931 444	POWER P.C. BOARD			1		1	
3	G	E12 927 490	R.V. COIL	21S4	1	1	1	1	
4	G	E12 927 306	THERMISTOR SET	RT61,RT62	1	1	1	1	DEFROST, DISCHARGE
5	G	E12 927 308	AMBIENT TEMPERATURE THERMISTOR	RT65	1	1	1	1	
6	G	E12 735 241	FUSE HOLDER		1	1	1	1	
7	G	E12 735 382	FUSE	F61	1	1	1	1	T20AL250V
8	G	E12 573 375	TERMINAL BLOCK	TB1	1	1	1	1	3P
9	G	E12 927 374	TERMINAL BLOCK	TB2	1	1	1	1	3P
10	G	E12 B42 451	INVERTER P.C. BOARD		1				Including heat sink and RT64
	G	E12 B43 451	INVERTER P.C. BOARD			1			Including heat sink and RT64
	G	E12 929 451	INVERTER P.C. BOARD				1		Including heat sink and RT64
	G	E12 930 451	INVERTER P.C. BOARD					1	Including heat sink and RT64
⑪	G	E12 127 382	FUSE	F71,F801,F901	1	1	1	1	T3.15AL250V
⑫	G	E12 661 385	VARISTOR	NR62,NR63,NR64	1	1	1	1	
⑬	G	E12 927 385	VARISTOR		1	1	1	1	

# RoHS PARTS LIST (RoHS compliant)

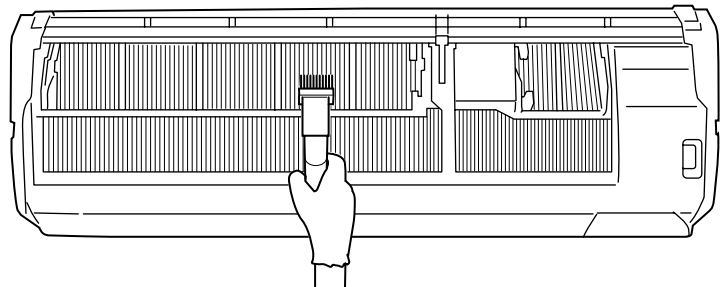
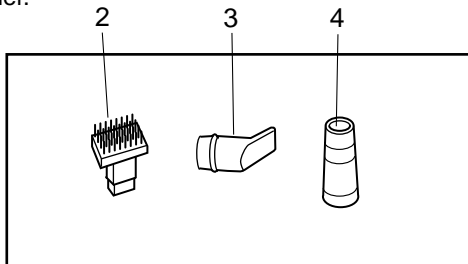
## MUZ-FA25VA MUZ-FA35VA 14-3. DRAIN SOCKET



No.	RoHS	Parts No.	Parts Name	Symbol in Wiring Diagram	Q'ty/unit		Remarks
					MUZ-FA25VA- E1	MUZ-FA35VA- E1	
1	G	E12 838 704	DRAIN SOCKET		1	1	

## MUZ-FA25VA MUZ-FA35VA MUZ-FA25VAH MUZ-FA35VAH 14-4. QUICK CLEAN KIT

● You can clean the surface of the heat exchanger and line flow fan if you attach QUICK CLEAN KIT to your vacuum cleaner.



No.	RoHS	Parts No.	Parts Name	Symbol in Wiring Diagram	Q'ty/unit				Remarks
					MUZ-FA25VA- E1	MUZ-FA25VAH- E1	MUZ-FA35VA- E1	MUZ-FA35VAH- E1	
2	G	E12 927 113	BRUSH		1	1	1	1	
3	G	E12 927 115	NOZZLE		1	1	1	1	
4	G	E12 927 112	UNIVERSAL ADAPTER		1	1	1	1	



HEAD OFFICE: TOKYO BLDG., 2-7-3, MARUNOUCHI, CHIYODA-KU, TOKYO 100-8310, JAPAN

© Copyright 2005 MITSUBISHI ELECTRIC ENGINEERING CO.,LTD

Distributed in May 2007. No. OB372 REVISED EDITION-D 6

Distributed in Feb. 2007. No. OB372 REVISED EDITION-C 6

Distributed in May 2006. No. OB372 REVISED EDITION-B 6

Distributed in Jan. 2006. No. OB372 REVISED EDITION-A 6

Distributed in Jan. 2005. No. OB372 6

Made in Japan

New publication, effective May 2007

Specifications subject to change without notice.