

OUTDOOR UNIT

PARTS CATALOG

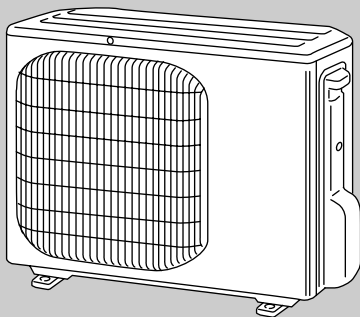
No. OBB467

Wireless type
Models

MUZ-HC25VA - E1

MUZ-HC35VA - E1

MUZ-HC35VAB - E1



CONTENTS

1. RoHS PARTS LIST.....2

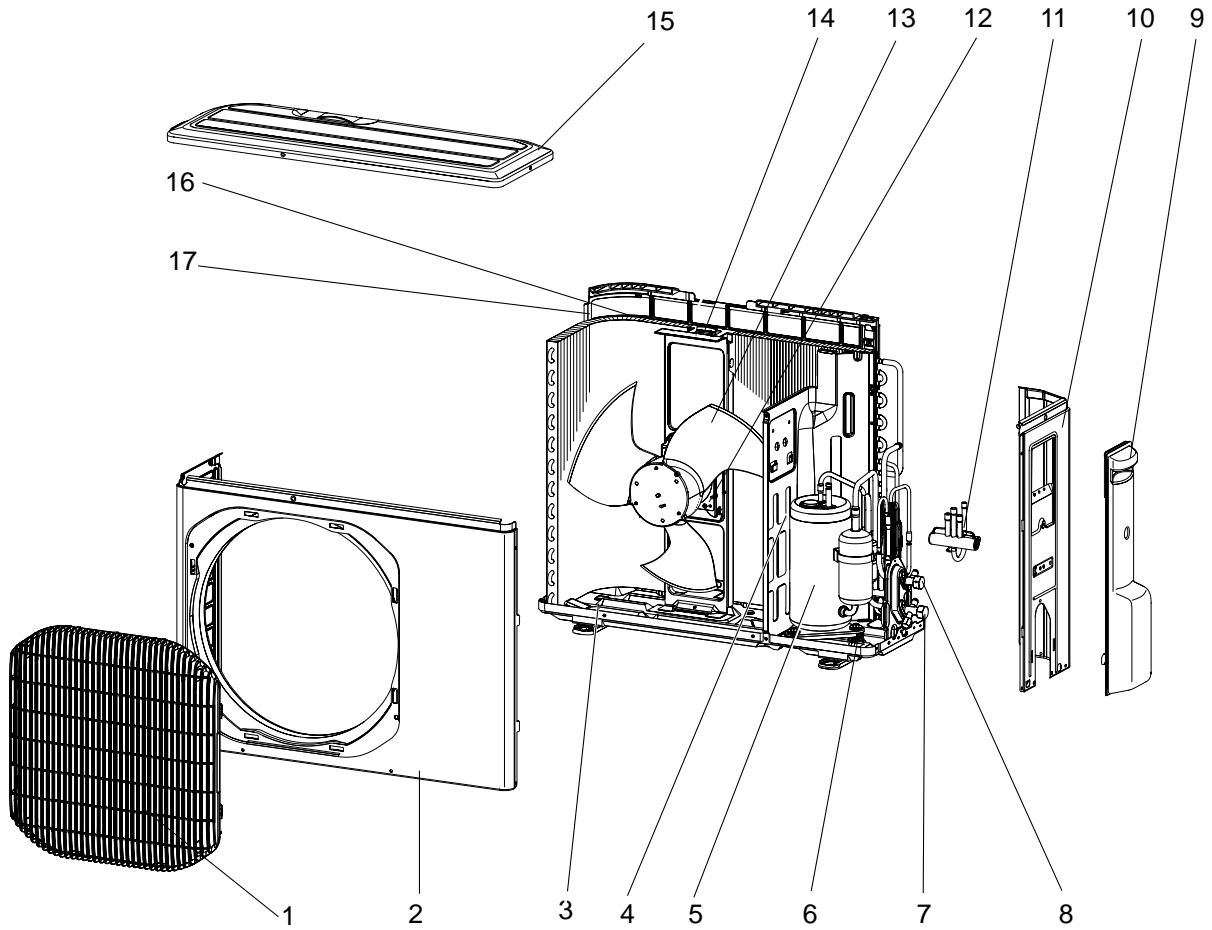
SERVICE MANUAL (OBH467)

NOTE:
RoHS compliant products have <G> mark on the spec name plate.



MUZ-HC25VA MUZ-HC35VA MUZ-HC35VAB

1-1. OUTDOOR UNIT STRUCTURAL PARTS AND FUNCTIONAL PARTS



MUZ-HC25VA MUZ-HC35VA MUZ-HC35VAB

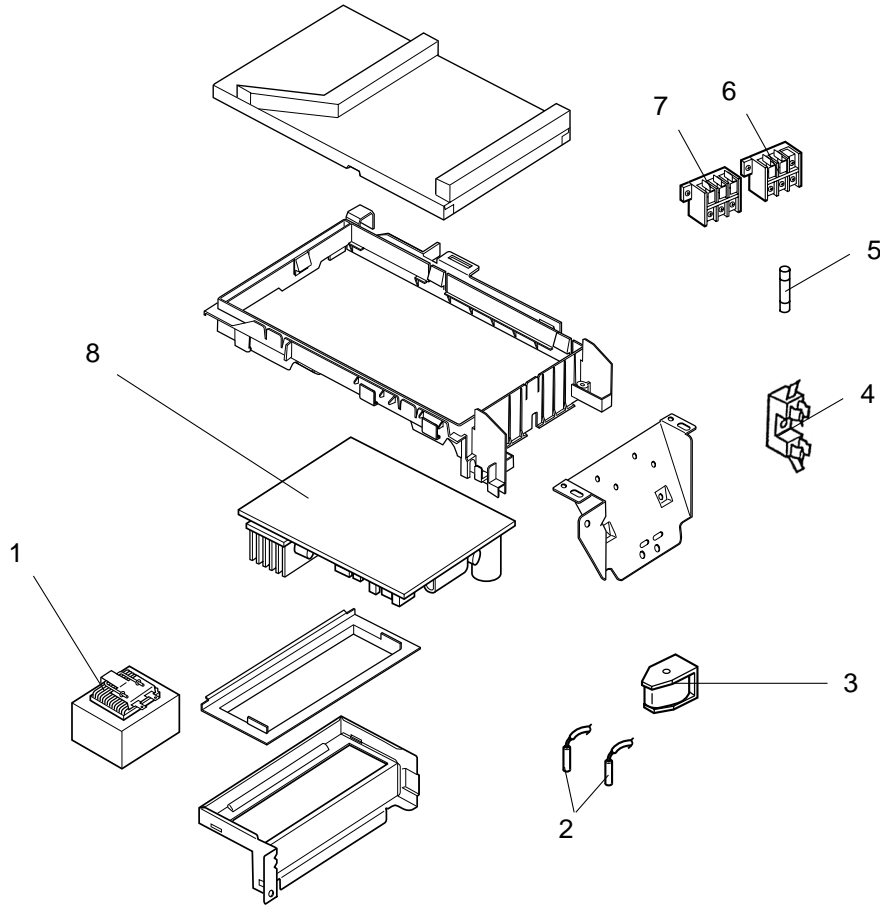
1-1. OUTDOOR UNIT STRUCTURAL PARTS AND FUNCTIONAL PARTS

Part number that is circled is not shown in the illustration.

No.	RoHS	Part No.	Part Name	Symbol in Wiring Diagram	Q'ty/unit			Remarks
					MUZ-			
					HC25VA- ^[E1]	HC35VA- ^[E1]	HC35VAB- ^[E1]	
1	G	E12 B72 521	GRILLE		1	1	1	
2	G	E12 B72 232	CABINET		1	1	1	
3	G	E12 B72 290	BASE		1	1	1	
4	G	E12 B72 293	SEPARATOR		1	1	1	
5	G	E12 928 900	COMPRESSOR	MC	1			KNB065FDTHC
	G	E12 B73 900	COMPRESSOR	MC		1	1	KNB073FEDH
	G	E12 B93 900	COMPRESSOR	MC		1	1	KNB073FGDH
6	G	E12 065 506	COMPRESSOR RUBBER SET		3	3	3	3RUBBERS/SET
7	G	E12 927 661	STOP VALVE (GAS)		1	1	1	φ9.52
8	G	E12 927 662	STOP VALVE (LIQUID)		1	1	1	φ6.35
9	G	E12 B72 245	SERVICE PANEL		1	1	1	
10	G	E12 B72 233	BACK PANEL		1	1	1	
11	G	E12 931 961	4-WAY VALVE		1	1	1	
12	G	E12 A89 301	OUTDOOR FAN MOTOR	MF	1	1	1	
13	G	E12 B72 501	PROPELLER		1	1	1	
14	G	E12 B72 515	MOTOR SUPPORT		1	1	1	
15	G	E12 B72 297	TOP PANEL		1	1	1	
16	G	E12 B72 630	OUTDOOR HEAT EXCHANGER		1			
	G	E12 B73 630	OUTDOOR HEAT EXCHANGER			1	1	
17	G	E12 B72 523	CONDENSER NET		1	1	1	
18	G	E12 B72 936	CAPILLARY TUBE		1			φ3.0×φ1.4×800
	G	E12 B72 937	CAPILLARY TUBE		1			φ3.0×φ1.4×450
	G	E12 B73 936	CAPILLARY TUBE			1	1	φ3.0×φ1.4×600
	G	E12 B88 936	CAPILLARY TUBE			1	1	φ3.0×φ1.4×235
19	G	E12 891 642	CHECK VALVE		1	1	1	

MUZ-HC25VA MUZ-HC35VA MUZ-HC35VAB

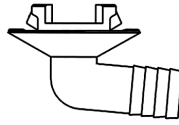
1-2. OUTDOOR UNIT ELECTRICAL PARTS



Part number that is circled is not shown in the illustration.

No.	RoHS	Part No.	Part Name	Symbol in Wiring Diagram	Q'ty/unit			Remarks
					MUZ-			
					HC25VA- <u>E1</u>	HC35VA- <u>E1</u>	HC35VAB- <u>E1</u>	
1	G	E12 B72 337	REACTOR	L61	1	1	1	
2	G	E12 927 306	THERMISTOR SET	RT61,RT62	1	1	1	DEFROST, DISCHARGE
3	G	E12 B72 490	R.V. COIL	21S4	1	1	1	
4	G	E12 735 241	FUSE HOLDER		1	1	1	
5	G	E12 735 382	FUSE	F61	1	1	1	T20AL250V
6	G	E12 573 375	TERMINAL BLOCK	TB1	1	1	1	3P
7	G	E12 927 374	TERMINAL BLOCK	TB2	1	1	1	3P
8	G	E12 B72 451	INVERTER P.C. BOARD		1			Including heat sink and RT64
	G	E12 B73 451	INVERTER P.C. BOARD			1		Including heat sink and RT64
	G	E12 B88 451	INVERTER P.C. BOARD				1	Including heat sink and RT64
9	G	E12 A49 382	FUSE	F701,F801	1	1	1	T3.15AL250V
10	G	E12 661 385	VARISTOR	NR61,NR62,NR63	1	1	1	

MUZ-HC25VA MUZ-HC35VA MUZ-HC35VAB
1-3. DRAIN SOCKET



No.	RoHS	Parts No.	Parts Name	Symbol in Wiring Diagram	Q'ty/unit			Remarks
					MUZ-			
					HC25VA-[E1]	HC35VA-[E1]	HC35VAB-[E1]	
1	G	E12 817 704	DRAIN SOCKET		1	1	1	



© Copyright 2007 MITSUBISHI ELECTRIC ENGINEERING CO.,LTD
Distributed in Jan. 2007. No. OBB467 6
Made in Japan

New publication, effective Jan. 2007
Specifications subject to change without notice.