

**Revision A:**

• MSZ-HC35VA-[E2] and MSZ-HC35VAB-[E2] have been added.

Please void OBB466.

## INDOOR UNIT

# PARTS CATALOG

**No. OBB466**  
REVISED EDITION-A

### Models

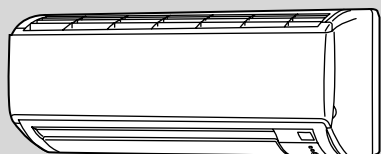
**MSZ-HC25VA** - [E1]

**MSZ-HC35VA** - [E1]

**MSZ-HC35VA** - [E2]

**MSZ-HC35VAB** - [E1]

**MSZ-HC35VAB** - [E2]



### CONTENTS

1. RoHS PARTS LIST..... 2
2. OPTIONAL PARTS..... BACK COVER

**SERVICE MANUAL (OBH466)**

**NOTE:**  
RoHS compliant products have <G> mark on the spec name plate.



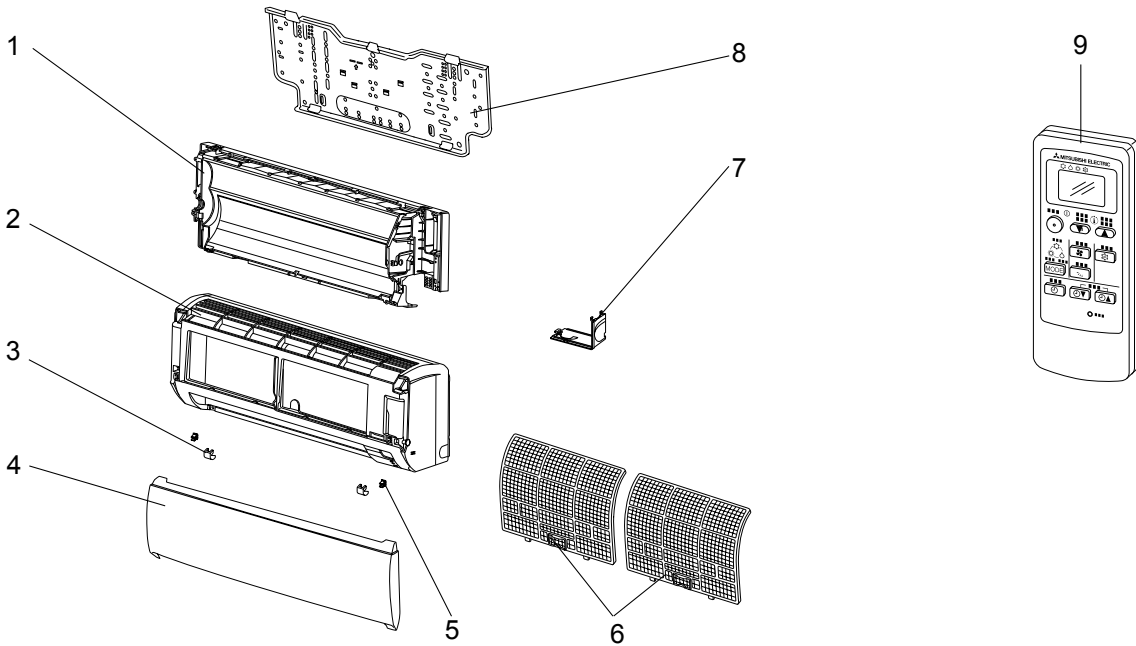
# 1

# RoHS PARTS LIST

MSZ-HC25VA MSZ-HC35VA MSZ-HC35VAB

## 1-1. INDOOR UNIT STRUCTURAL PARTS

## 1-2. ACCESSORY AND REMOTE CONTROLLER



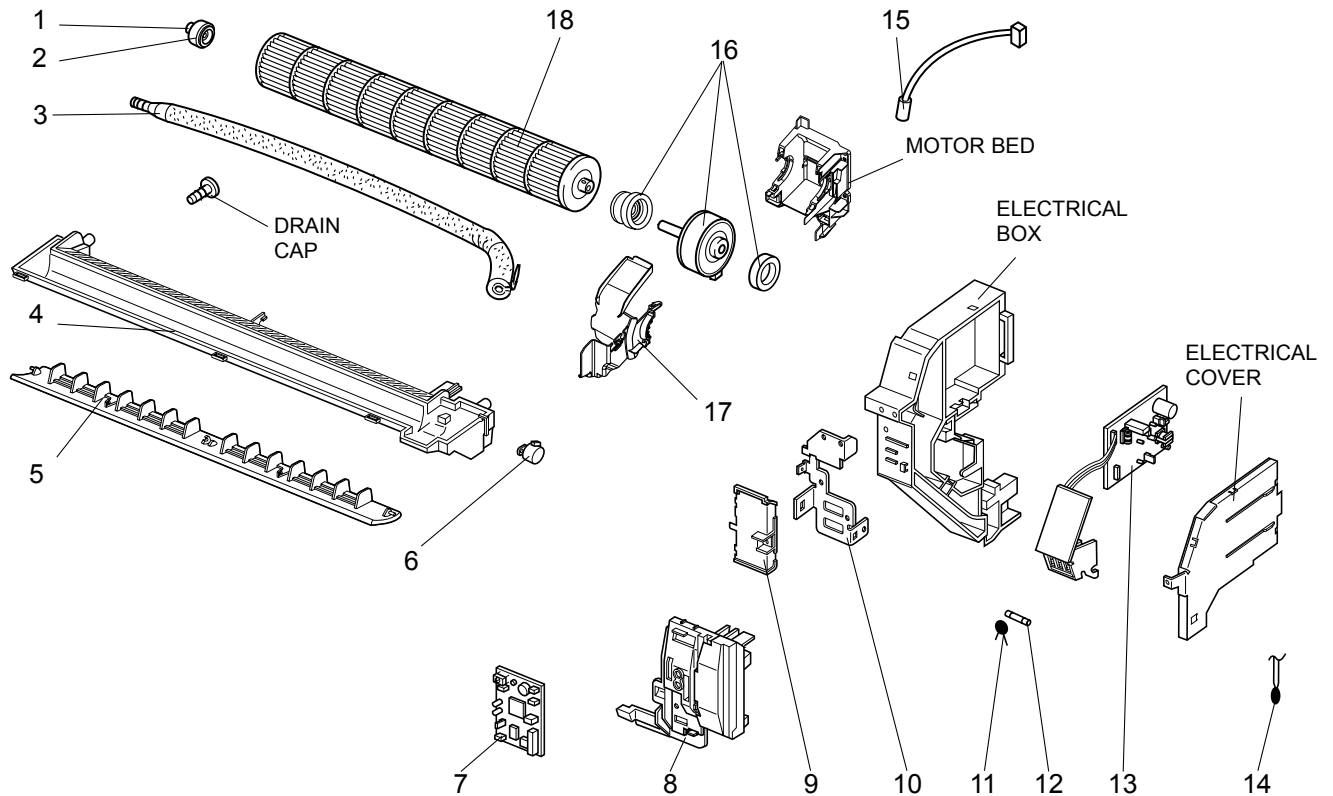
### 1-1. INDOOR UNIT STRUCTURAL PARTS

No.	RoHS	Part No.	Part name	Symbol in Wiring Diagram	Q'ty/unit					Remarks
					MSZ-HC					
					25VA - E1	35VA-		35VAB-		
1	G	E12 A89 234	BOX		1	1	1	1	1	
2	G	E12 A89 000	PANEL ASSEMBLY		1	1	1	1	1	Including No.3, 4
3	G	E12 913 067	SCREW CAP		2	2	2	2	2	2 PC/SET
4	G	E12 A89 010	FRONT PANEL		1	1	1	1	1	
5	G	E12 408 142	CATCH		2	2	2	2	2	2 PC/SET
6	G	E12 A89 100	AIR FILTER		2	2	2	2	2	2 PC/SET
7	G	E12 A89 975	CORNER BOX (RIGHT)		1	1	1	1	1	
8	G	E12 A89 970	INSTALLATION PLATE		1	1	1	1	1	

### 1-2. ACCESSORY AND REMOTE CONTROLLER

9	G	E12 A89 426	REMOTE CONTROLLER		1	1	1	1	1	MP06B
---	---	-------------	-------------------	--	---	---	---	---	---	-------

### 1-3. INDOOR UNIT ELECTRICAL PARTS AND FUNCTIONAL PARTS



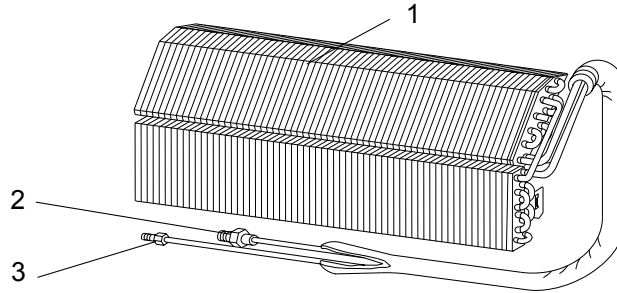
No.	RoHS	Part No.	Part name	Symbol in Wiring Diagram	Q'ty/unit					Remarks
					MSZ-HC					
					25VA - E1	35VA-		35VAB-		
	E1	E2	E1	E2						
1	G	E12 A89 509	BEARING MOUNT ASSEMBLY		1	1	1	1	1	
2	G	E12 001 504	SLEEVE BEARING		1	1	1	1	1	
3	G	E12 897 702	DRAIN HOSE		1	1	1	1	1	
4	G	E12 B72 235	NOZZLE ASSEMBLY		1	1	1	1	1	
5	G	E12 A89 040	HORIZONTAL VANE		1	1	1	1	1	
6	G	E12 A89 303	VANE MOTOR	MV	1	1	1	1	1	UP & DOWN
7	G	E12 B72 452	ELECTRONIC CONTROL P.C. BOARD		1					
	G	E12 B73 452				1				
	G	E12 B88 452					1			
	G	E12 D75 452						1		
8	G	E12 A89 095	INDOOR ELECTRONIC CONTROL P.C. BOARD HOLDER		1	1	1	1	1	
9	G	E12 A89 784	V.A. CLAMP		1	1	1	1	1	
10	G	E12 A89 780	TERMINAL BLOCK COVER		1	1	1	1	1	
11	G	E12 336 385	VARISTOR		1			1		
	G	E12 A43 385					1			
	G	E12 661 385						1		
12	G	E12 A49 382	FUSE	F11	1	1	1	1	1	T3.15A/250V
13	G	E12 B72 440	POWER P.C. BOARD *1		1					
	G	E12 A89 440				1	1	1	1	
14	G	E12 A89 308	ROOM TEMPERATURE THERMISTOR	RT11	1	1	1	1	1	
15	G	E12 A89 307	INDOOR COIL THERMISTOR	RT12	1			1		
	G	E12 B66 307		RT12, RT13			1		1	
16	G	E12 B72 300	INDOOR FAN MOTOR *2	MF	1					RC4V18-□□
	G	E12 A89 300				1	1	1	1	1
17	G	E12 A89 333	MOTOR BAND ASSEMBLY		1	1	1	1	1	
18	G	E12 A89 302	LINE FLOW FAN		1	1	1	1	1	

\*1 Including TERMINAL BLOCK with TERMINAL P.C. BOARD

\*2 Including FAN MOTOR RUBBER MOUNT (2 PC/SET)

# MSZ-HC25VA MSZ-HC35VA MSZ-HC35VAB

## 1-4. INDOOR UNIT HEAT EXCHANGER



No.	ROHS	Part No.	Part name	Symbol in Wiring Diagram	Q'ty/unit MSZ-HC					Remarks
					25VA - E1	35VA-		35VAB-		
						E1	E2	E1	E2	
1	G	E12 A89 620	INDOOR HEAT EXCHANGER		1					
	G	E12 B73 620				1	1			
	G	E12 B68 620					1	1		
2	G	E12 815 666	UNION (GAS)		1	1	1	1	1	ø9.52
3	G	E12 151 667	UNION (LIQUID)		1	1	1	1	1	ø6.35

## 2 OPTIONAL PARTS

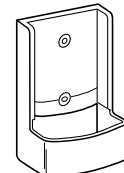
### 2-1. CATECHIN AIR FILTER

- Catechin is a bioflavonoid that is found in green tea that has both antiviral and antioxidant qualities. In addition to these benefits, Catechin also offers excellent deodorizing characteristics. Catechin air filter uses this compound to not only improve air quality but also prevent the spread of bacteria and viruses in the room.
- Clean the AIR FILTER about once every 2 weeks. Cleaning way is same as way of AIR FILTER (ANTI-MOLD). Refer to the operating instructions book.
- Clogged AIR FILTER may reduce the air conditioner capacity or cause frost on the air outlet.

Model	Part No.
MSZ-HC25/35	MAC-3003CF

### 2-2. REMOTE CONTROLLER HOLDER

Model	Part No.
MSZ-HC25/35	MAC-1200RC



**MITSUBISHI ELECTRIC CORPORATION**  
 HEAD OFFICE: TOKYO BLDG., 2-7-3, MARUNOUCHI, CHIYODA-KU, TOKYO 100-8310, JAPAN