

# OUTDOOR UNIT PARTS CATALOG

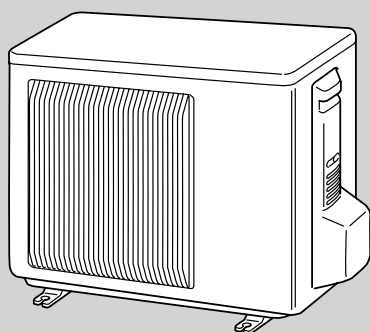


No. OBB530

Models

**MU-GE50VB-**E1

**MUH-GE50VB-**E1



---

## CONTENTS

---

1. RoSH PARTS LIST ..... 2

**SERVICE MANUAL (OBH530)**

**NOTE:**

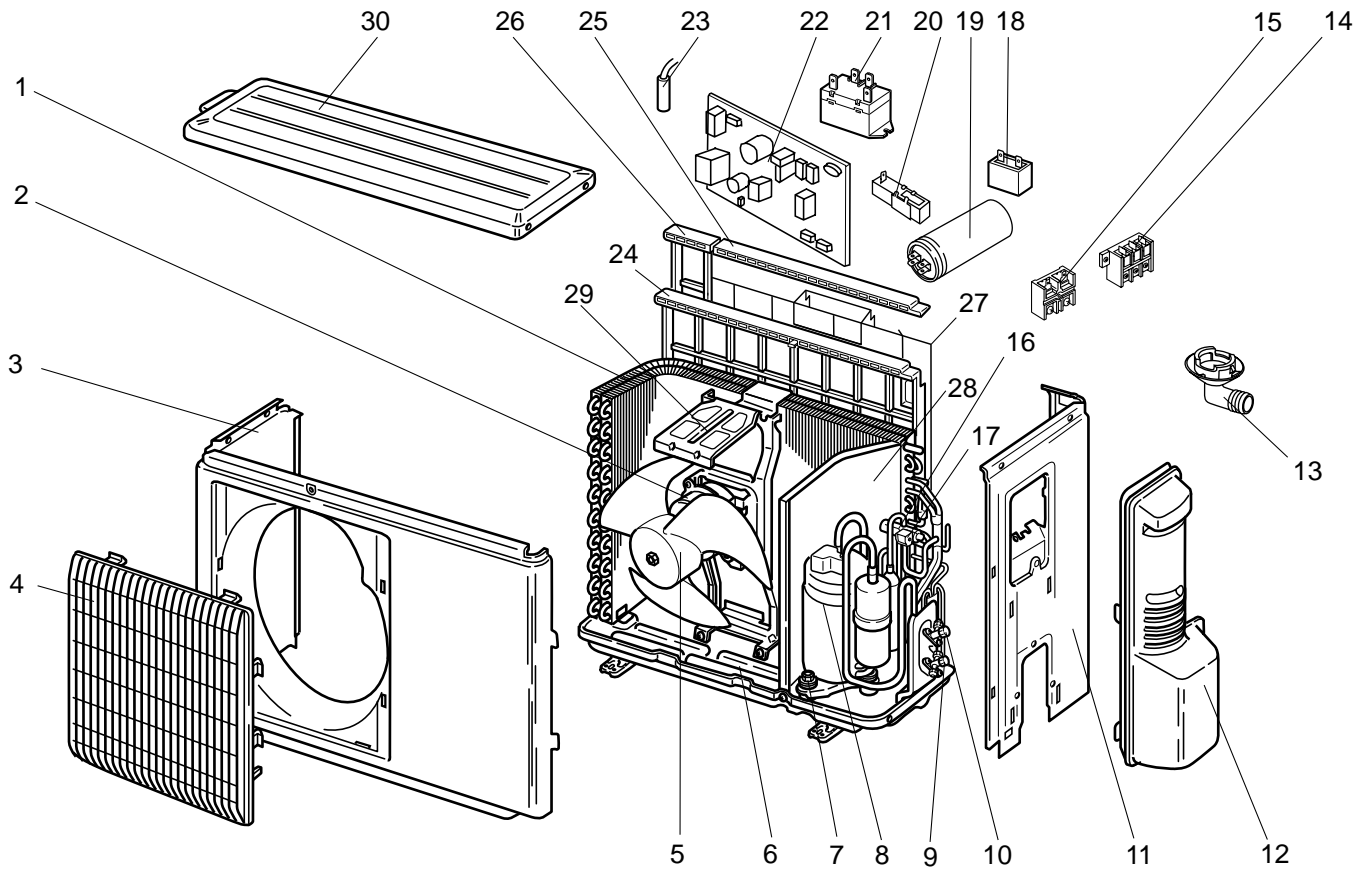
• This service manual describes technical data of outdoor units.



MU-GE50VB MUH-GE50VB

1-1. OUTDOOR UNIT

STRUCTURAL PARTS, ELECTRICAL PARTS AND FUNCTIONAL PARTS



# RoHS PARTS LIST (RoHS compliant)

## MU-GE50VB MUH-GE50VB

### 1-1. OUTDOOR UNIT STRUCTURAL PARTS, ELECTRICAL PARTS AND FUNCTIONAL PARTS

Part numbers that are circled are not shown in the illustration.

No.	RoSH	Parts No.	Parts name	Symbol in Wiring Diagram	Q'ty/unit		Remarks
					MU-GE50VB-[E1]	MUH-GE50VB-[E1]	
1	G	E12 C77 630	OUTDOOR HEAT EXCHANGER		1		
	G	E12 A86 630	OUTDOOR HEAT EXCHANGER			1	
2	G	E12 900 301	OUTDOOR FAN MOTOR	MF	1		RA6V33-□□
	G	E12 905 301	OUTDOOR FAN MOTOR	MF		1	RA6V33-□□
3	G	E12 A83 232	CABINET		1		
	G	E12 903 232	CABINET			1	
4	G	E12 927 521	GRILLE		1	1	
5	G	E12 665 501	PROPELLER		1	1	
6	G	E12 B63 290	BASE		1		
	G	E12 905 290	BASE			1	
7	G	E12 075 506	COMPRESSOR RUBBER SET		3	3	3 RUBBERS/SET
8	G	E12 817 900	COMPRESSOR	MC	1	1	RN196VHSHT
9	G	E12 E07 661	STOP VALVE (GAS)		1		ø12.7
	G	E12 E08 661	STOP VALVE (GAS)			1	ø12.7
10	G	E12 E07 662	STOP VALVE (LIQUID)		1		ø6.35
	G	E12 E08 662	STOP VALVE (LIQUID)			1	ø6.35
11	G	E12 A81 233	BACK PANEL		1		
	G	E12 903 233	BACK PANEL			1	
12	G	E12 927 245	SERVICE PANEL		1	1	
13	G	E12 838 704	DRAIN SOCKET			1	
14	G	E12 D89 374	TERMINAL BLOCK	TB1	1	1	3P
15	G	E12 832 374	TERMINAL BLOCK	TB2	1		2P
	G	E12 836 374	TERMINAL BLOCK	TB2		1	2P
16	G	E12 C18 961	4-WAY VALVE			1	
17	G	E12 906 490	R. V. COIL	21S4		1	
18	G	E12 900 351	OUTDOOR FAN CAPACITOR	C2	1		2.0 $\mu$ F/440 V AC
19	G	E12 888 353	COMPRESSOR CAPACITOR	C1	1	1	40 $\mu$ F/440 V AC
20	G	E12 895 383	SURGE ABSORBER	DSAR	1	1	
21	G	E12 466 340	COMPRESSOR CONTACTOR	52C	1		
22	G	E12 E08 451	DEICER P.C. BOARD			1	
23	G	E12 906 310	DEFROST THERMISTOR	RT61		1	
24	G	E12 929 523	CONDENSER NET			1	
25	G	E12 B63 523	CONDENSER NET (A)		1		
26	G	E12 B64 523	CONDENSER NET (B)		1		
27	G	E12 C39 525	CONDENSER WIRE NET		1		
28	G	E12 B63 293	SEPARATOR		1		
	G	E12 B76 293	SEPARATOR			1	
29	G	E12 B63 515	MOTOR SUPPORT		1		
	G	E12 900 515	MOTOR SUPPORT			1	
30	G	E12 927 297	TOP PANEL		1	1	
31	G	E12 095 382	FUSE	F61		1	T2AL250V
32	G	E12 820 385	VARISTOR	NR61		1	
33	G	E12 891 642	CHECK VALVE			1	
34	G	E12 289 937	CAPILLARY TUBE			1	ø3.0 x ø1.6 x 500
	G	E12 414 936	CAPILLARY TUBE			1	ø3.0 x ø1.6 x 300
	G	E12 735 936	CAPILLARY TUBE			2	ø3.0 x ø1.8 x 600
	G	E12 340 936	CAPILLARY TUBE		1		ø3.0 x ø1.6 x 450



HEAD OFFICE: TOKYO BLDG., 2-7-3, MARUNOUCHI, CHIYODA-KU, TOKYO 100-8310, JAPAN

© Copyright 2008 MITSUBISHI ELECTRIC ENGINEERING CO.,LTD  
Distributed in Dec. 2008. No.OBB530 5  
Made in Japan

New publication, effective Dec. 2008  
Specifications subject to change without notice.