

**Revision B:**

- Parts numbers of indoor fan motor and motor band have been changed.

Please void OBB529 REVISED EDITION-A.

## INDOOR UNIT

# PARTS CATALOG

**No. OBB529  
REVISED EDITION-B**

### Models

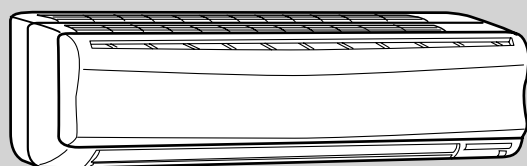
**MSC-GE20VB** 

**MSC-GE25VB** 

**MSC-GE35VB** 

**MS-GE50VB** 

**MSH-GE50VB** 



### CONTENTS

1. RoHS PARTS LIST..... 2
2. OPTIONAL PARTS..... BACK COVER

**SERVICE MANUAL (OBH529)**

**NOTE:**

RoHS compliant products have <G> mark on the spec name plate.



**Revision A:**

• Another type of the electronic control P.C. board (TYPE 2) has been added to the original one (TYPE 1). They are both compatible with MS/MSH-GE50VB-E1.

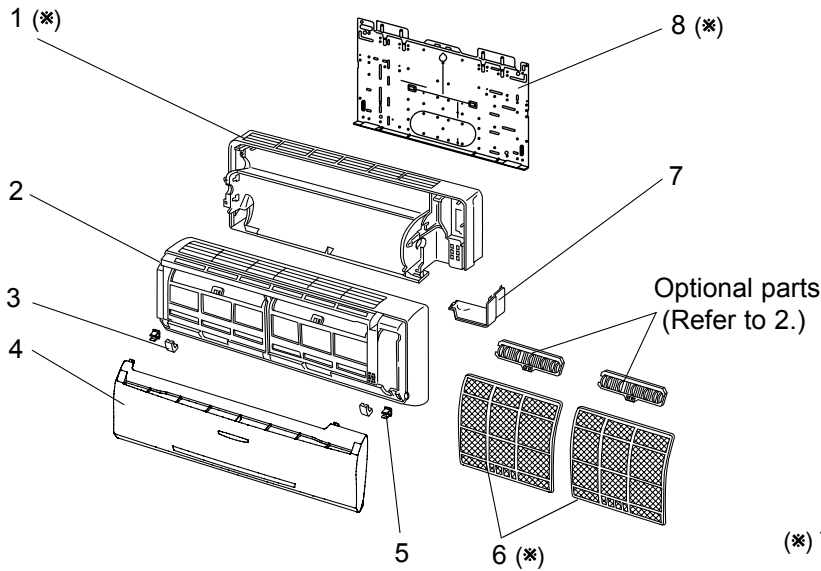
**Revision B:**

• Parts numbers of indoor fan motor and motor band have been changed.

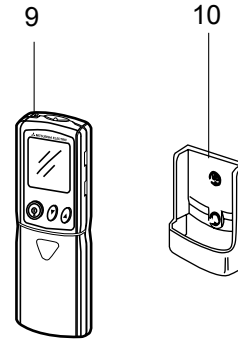
**1 RoHS PARTS LIST**

**MSC-GE20VB MSC-GE25VB MSC-GE35VB**

**1-1. INDOOR UNIT STRUCTURAL PARTS**



**1-2. ACCESSORY AND REMOTE CONTROLLER**



(\*) These figures show MSC-GE35VB.

**1-1. INDOOR UNIT STRUCTURAL PARTS**

No.	RoHS	Part No.	Part Name	Symbol in Wiring Diagram	Q'ty/unit			Remarks
					MSC-GE20VB- <u>E1</u>	MSC-GE25VB- <u>E1</u>	MSC-GE35VB- <u>E1</u>	
1	G	E12 763 234	BOX		1	1		
	G	E12 764 234	BOX				1	
2	G	E12 E40 000	PANEL ASSEMBLY		1	1	1	Including No.3,4,5
3	G	E12 763 067	SCREW CAP		2	2	2	2PCS/SET
4	G	E12 E40 010	FRONT PANEL		1	1	1	
5	G	E12 408 142	CATCH		2	2	2	2PCS/SET
	G	E12 763 100	CATECHIN AIR FILTER		2	2		1PCE/SET
6	G	E12 764 100	CATECHIN AIR FILTER				2	1PCE/SET
	G	E12 763 975	CORNER BOX (RIGHT)		1	1	1	
8	G	E12 408 970	INSTALLATION PLATE		1	1		
	G	E12 751 970	INSTALLATION PLATE				1	

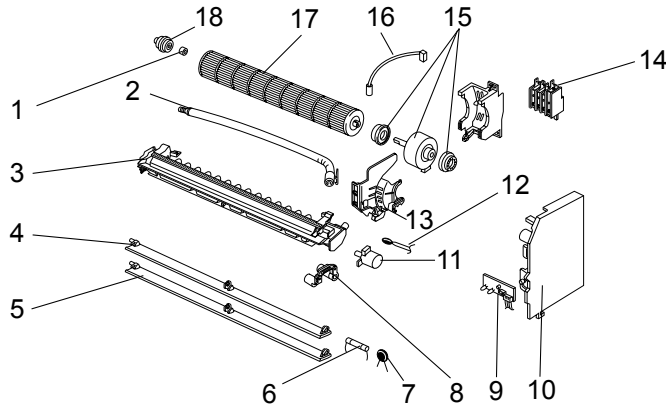
**1-2. ACCESSORY AND REMOTE CONTROLLER**

9	G	E12 749 426	REMOTE CONTROLLER		1	1	1	KM04F
10	G	E12 527 083	REMOTE CONTROLLER HOLDER		1	1	1	

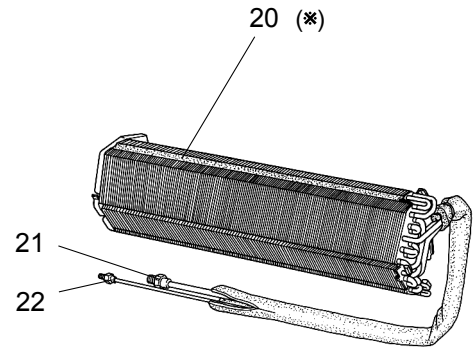
# ROHS PARTS LIST

MSC-GE20VB MSC-GE25VB MSC-GE35VB

## 1-3. INDOOR UNIT ELECTRICAL PARTS AND FUNCTIONAL PARTS



## 1-4. INDOOR UNIT HEAT EXCHANGER



(\*) These figures show MSC-GE35VB.

## 1-3. INDOOR UNIT ELECTRICAL PARTS AND FUNCTIONAL PARTS

Part number that is circled is not shown in the illustration.

No.	RoHS	Part No.	Part Name	Symbol in Wiring Diagram	Q'ty/unit			Remarks
					MSC-GE20VB-[E1]	MSC-GE25VB-[E1]	MSC-GE35VB-[E1]	
1	G	E12 001 504	SLEEVE BEARING		1	1	1	
2	G	E12 897 702	DRAIN HOSE		1	1	1	
3	G	E12 A59 235	NOZZLE ASSEMBLY		1	1	1	
4	G	E12 781 040	VANE UPPER		1	1	1	
5	G	E12 781 041	VANE LOWER		1	1	1	
6	G	E12 A49 382	FUSE	F11	1	1	1	T3.15AL250V
7	G	E12 829 385	VARISTOR	NR11	1	1	1	
8	G	E12 763 034	VANE CRANK SET		1	1	1	
9	G	E12 815 468	POWER MONITOR, RECEIVER P.C. BOARD		1	1	1	
10	G	E12 962 452	ELECTRONIC CONTROL P.C.BOARD		1			AUTO RESTART
	G	E12 963 452	ELECTRONIC CONTROL P.C.BOARD			1		AUTO RESTART
	G	E12 964 452	ELECTRONIC CONTROL P.C.BOARD				1	AUTO RESTART
11	G	E12 749 303	VANE MOTOR	MV	1	1	1	
12	G	E12 151 308	ROOM TEMPERATURE THERMISTOR	RT11	1	1	1	
13	G	E12 749 333	MOTOR BAND		1	1	1	
14	G	E12 691 375	TERMINAL BLOCK	TB	1	1	1	
15	G	E12 749 300	INDOOR FAN MOTOR	MF	1	1		RC4V19-□□ Including RUBBER MOUNT
	G	E12 751 300	INDOOR FAN MOTOR	MF			1	RC4V19-□□ Including RUBBER MOUNT
16	G	E12 749 307	INDOOR COIL THERMISTOR	RT12	1	1	1	
17	G	E12 A59 302	LINE FLOW FAN		1	1	1	
18	G	E12 408 509	BEARING MOUNT		1	1		
	G	E12 751 509	BEARING MOUNT				1	
(19)	G	E12 749 385	VARISTOR	NR12	1	1	1	

## 1-4. INDOOR UNIT HEAT EXCHANGER

20	G	E12 C38 620	INDOOR HEAT EXCHANGER		1	1		
	G	E12 E42 620	INDOOR HEAT EXCHANGER				1	
21	G	E12 151 666	UNION(GAS)		1	1	1	ø9.52
22	G	E12 151 667	UNION(LIQUID)		1	1	1	ø6.35

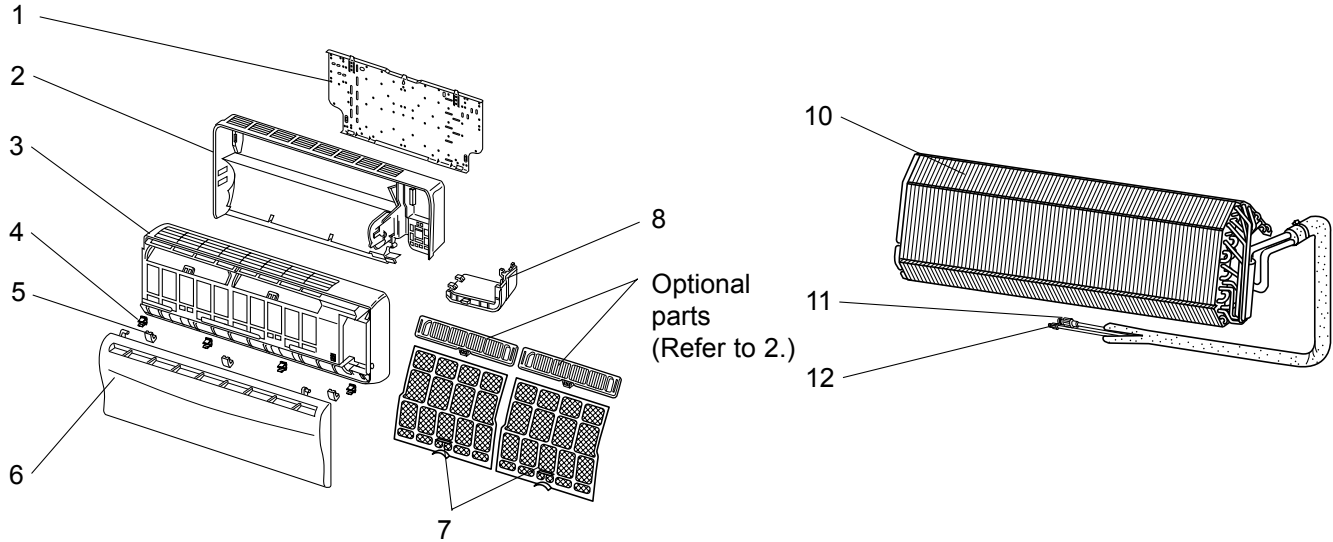
# RoHS PARTS LIST

MS-GE50VB

MSH-GE50VB

## 1-5. INDOOR UNIT STRUCTURAL PARTS

## 1-6. INDOOR UNIT HEAT EXCHANGER



## 1-5. INDOOR UNIT STRUCTURAL PARTS

Part number that is circled is not shown in the illustration.

No.	RoHS	Part No.	Part Name	Symbol in Wiring Diagram	Q'ty/unit		Remarks
					MS-GE50VB- <u>E1</u>	MSH-GE50VB- <u>E1</u>	
1	G	E12 527 970	INSTALLATION PLATE		1	1	
2	G	E12 685 234	BOX		1	1	
3	G	E12 888 000	PANEL ASSEMBLY		1	1	Including No.4,5,6
4	G	E12 408 142	CATCH		4	4	4PCS/SET
5	G	E12 685 067	SCREW CAP		3	3	3PCS/SET
6	G	E12 888 010	FRONT PANEL		1	1	
7	G	E12 534 100	CATECHIN AIR FILTER		2	2	1PCE/SET
8	G	E12 685 975	CORNER BOX RIGHT		1	1	
⑨	G	E12 891 007	LAMP PANEL		1	1	

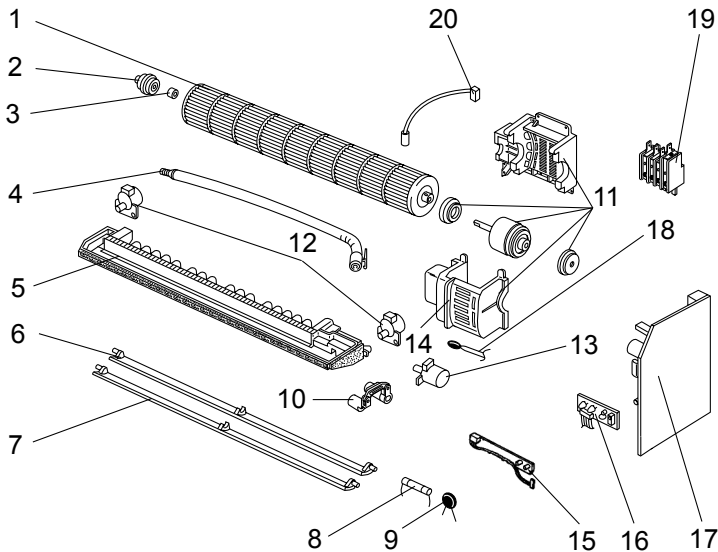
## 1-6. INDOOR UNIT HEAT EXCHANGER

10	G	E12 E07 620	INDOOR HEAT EXCHANGER		1	1	
11	G	E12 179 667	UNION (GAS)		1	1	ø12.7
12	G	E12 151 667	UNION (LIQUID)		1	1	ø6.35

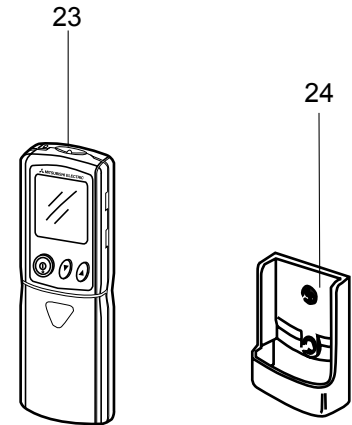
# RoHS PARTS LIST

MS-GE50VB MSH-GE50VB

## 1-7. INDOOR UNIT FUNCTIONAL PARTS AND ELECTRICAL PARTS



## 1-8. ACCESSORY AND REMOTE CONTROLLER



## 1-7. INDOOR UNIT FUNCTIONAL PARTS AND ELECTRICAL PARTS

Part numbers that are circled are not shown in the illustration.

No.	RoHS	Part No.	Part Name	Symbol in Wiring Diagram	Q'ty/unit		Remarks
					MS-GE50VB-[E1]	MSH-GE50VB-[E1]	
1	G	E12 527 302	LINE FLOW FAN		1	1	
2	G	E12 408 509	BEARING MOUNT		1	1	
3	G	E12 001 504	SLEEVE BEARING		1	1	
4	G	E12 408 702	DRAIN HOSE		1	1	
5	G	E12 996 235	NOZZLE ASSEMBLY		1	1	
6	G	E12 685 040	VANE UPPER		1	1	
7	G	E12 685 041	VANE LOWER		1	1	
8	G	E12 A49 382	FUSE	F11	1	1	T3.15AL250V
9	G	E12 B75 385	VARISTOR	NR11	1	1	
10	G	E12 527 034	VANE CRANK SET		1	1	
11	G	E12 F57 300	INDOOR FAN MOTOR	MF	1	1	RC4V40-□□ Including RUBBER MOUNT, MOTOR BAND and MOTOR BED
12	G	E12 448 303	VANE MOTOR (VERTICAL)	MV2	2	2	RIGHT & LEFT
13	G	E12 408 303	VANE MOTOR (HORIZONTAL)	MV1	1	1	UP & DOWN
14	G	E12 F57 333	MOTOR BAND SET		1	1	Including two kinds of motor bands
15	G	E12 528 329	DISPLAY P.C. BOARD		1	1	
16	G	E12 527 468	RECEIVER P.C. BOARD		1	1	
17	G	E12 E07 452	ELECTRONIC CONTROL P.C. BOARD *1		1		AUTO RESTART Including No.16
	G	E12 E08 452	ELECTRONIC CONTROL P.C. BOARD *1			1	AUTO RESTART Including No.16
18	G	E12 527 308	ROOM TEMPERATURE THERMISTOR	RT11	1	1	
19	G	E12 817 375	TERMINAL BLOCK	TB	1		
	G	E12 819 375	TERMINAL BLOCK	TB		1	
20	G	E12 408 307	INDOOR COIL THERMISTOR	RT12	1	1	
⑳	G	E12 528 034	VANE MOTOR SUPPORT SET (RIGHT)		1	1	
㉑	G	E12 529 034	VANE MOTOR SUPPORT SET (LEFT)		1	1	

\*1 Refer to OBH529, 10-6.

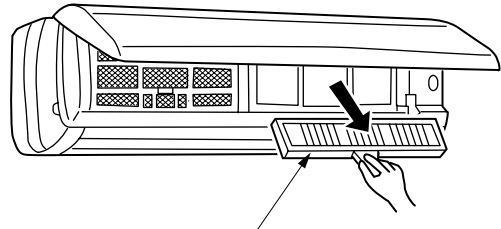
## 1-8. ACCESSORY AND REMOTE CONTROLLER

23	G	E12 527 426	REMOTE CONTROLLER		1		KM04B
	G	E12 529 426	REMOTE CONTROLLER			1	KM04A
24	G	E12 527 083	REMOTE CONTROLLER HOLDER		1	1	

## AIR CLEANING FILTER

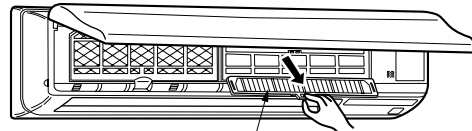
- Normal life of AIR CLEANING FILTER is 4 months. However, when it becomes dirty, replace it as soon as possible.
- Clogged AIR CLEANING FILTER may reduce the air conditioner capacity or cause frost on the air outlet.
- DO NOT reuse AIR CLEANING FILTER even if it is washed.
- DO NOT remove or attach AIR CLEANING FILTER during unit operation.

Model	Part No.
MSC-GE20VB- <span style="border: 1px solid black; padding: 0 2px;">E1</span>	MAC-1300FT
MSC-GE25VB- <span style="border: 1px solid black; padding: 0 2px;">E1</span>	
MSC-GE35VB- <span style="border: 1px solid black; padding: 0 2px;">E1</span>	



Air cleaning filter  
(White bellows type)

Model	Part No.
MS-GE50VB- <span style="border: 1px solid black; padding: 0 2px;">E1</span>	MAC-1700FT
MSH-GE50VB- <span style="border: 1px solid black; padding: 0 2px;">E1</span>	



Air cleaning filter (White bellows type)

# MITSUBISHI ELECTRIC CORPORATION

HEAD OFFICE: TOKYO BLDG., 2-7-3, MARUNOUCHI, CHIYODA-KU, TOKYO 100-8310, JAPAN