



SPLIT-TYPE, AIR CONDITIONERS

Changes for the Better

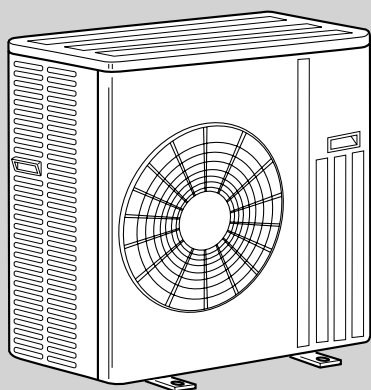
OUTDOOR UNIT PARTS CATALOG



No. OBB512

Wireless type
Model

MU-GD80VB - E1



CONTENTS

1. RoHS PARTS LIST..... 2

SERVICE MANUAL (OBH512)

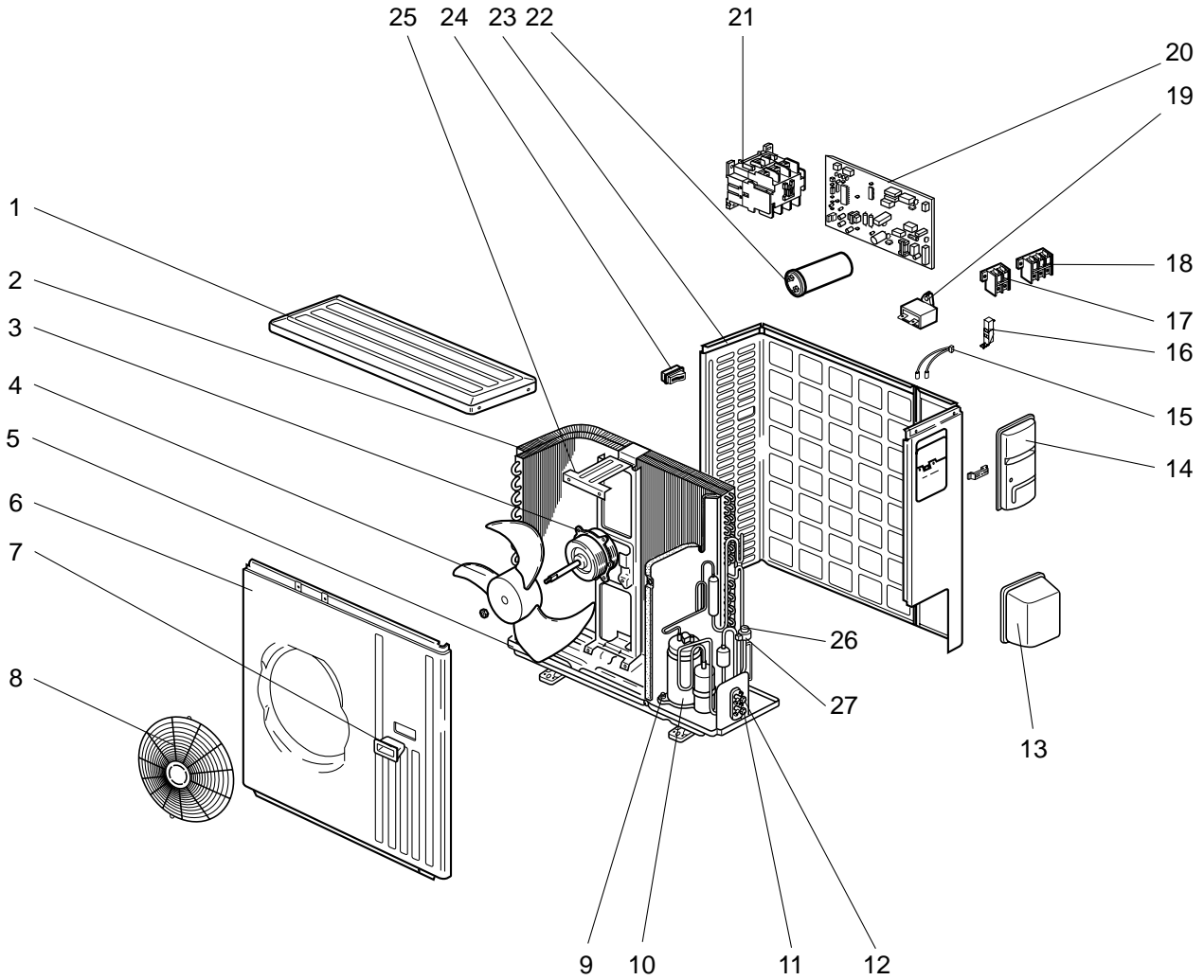
NOTE:

RoHS compliant products have <G> mark on the spec name plate.



MU-GD80VB

1-1. OUTDOOR UNIT STRUCTURAL PARTS, ELECTRICAL PARTS AND FUNCTIONAL PARTS



RoHS PARTS LIST

MU-GD80VB

1-1. OUTDOOR UNIT STRUCTURAL PARTS, ELECTRICAL PARTS AND FUNCTIONAL PARTS

Part numbers that are circled are not shown in the illustration.

No.	RoHS	Part No.	Part Name	Symbol in Wiring Diagram	Q'ty/unit	Remarks
					MU-GD80VB - E1	
1	G	E12 819 297	TOP PANEL		1	
2	G	E12 819 630	OUTDOOR HEAT EXCHANGER		1	
3	G	E12 819 301	OUTDOOR FAN MOTOR	MF	1	RA6V75- □□
4	G	E12 214 501	PROPELLER		1	
5	G	E12 819 290	BASE		1	
6	G	E12 819 232	CABINET		1	
7	G	E12 819 009	HANDLE		1	
8	G	E12 819 521	FAN GUARD		1	
9	G	E12 527 506	COMPRESSOR RUBBER SET		4	4RUBBERS/SET
10	G	E12 819 900	COMPRESSOR	MC	1	NN37VAAHT
11	G	E12 819 661	STOP VALVE (GAS)		1	φ 15.88
12	G	E12 819 662	STOP VALVE (LIQUID)		1	φ 9.52
13	G	E12 819 650	VALVE COVER		1	
14	G	E12 819 245	SERVICE PANEL		1	
15	G	E12 819 309	THERMISTOR	RT62, RT63	1	DISCHARGE, AMBIENT
16	G	E12 890 383	SURGE ABSORBER	DSAR	1	
17	G	E12 821 374	TERMINAL BLOCK	TB2	1	2P
18	G	E12 817 374	TERMINAL BLOCK	TB1	1	3P
19	G	E12 890 351	OUTDOOR FAN CAPACITOR	C2	1	4.0μF/440 V AC
20	G	E12 896 451	DEICER P.C. BOARD		1	
21	G	E12 890 340	COMPRESSOR CONTACTOR	52C	1	
22	G	E12 890 353	COMPRESSOR CAPACITOR	C1	1	60μF/440 V AC
23	G	E12 819 233	BACK PANEL (OUT)		1	
24	G	E12 817 009	HANDLE		1	
25	G	E12 726 515	MOTOR SUPPORT		1	
26	G	E12 819 640	EXPANSION VALVE		1	
27	G	E12 819 493	EXPANSION VALVE COIL	LEV	1	
28	G	E12 A49 382	FUSE	F61	1	T3.15AL250V
29	G	E12 336 385	VARISTOR	NR61	1	
30	G	E12 214 386	CZ SURGE ABSORBER	CZ	1	
31	G	E12 819 936	CAPILLARY TUBE (TAPER PIPE)		1	φ3.6 x φ2.4 x 50
32	G	E12 262 936	CAPILLARY TUBE		1	φ4.0 x φ2.4 x 200
32	G	E12 527 936	CAPILLARY TUBE		1	φ4.0 x φ2.4 x 100



HEAD OFFICE: TOKYO BLDG.,2-7-3, MARUNOUCHI, CHIYODA-KU, TOKYO 100-8310, JAPAN

© Copyright 2008 MITSUBISHI ELECTRIC ENGINEERING CO.,LTD
Distributed in Apr. 2008. No.OBB512 6
Made in Japan

New publication, effective Apr. 2008
Specifications subject to change without notice.