



SPLIT-TYPE, HEAT PUMP AIR CONDITIONERS

No. OC213

TECHNICAL & SERVICE MANUAL

Series **PLFY** Ceiling Cassettes **R407C** / **R22**

Indoor unit
[Model names]

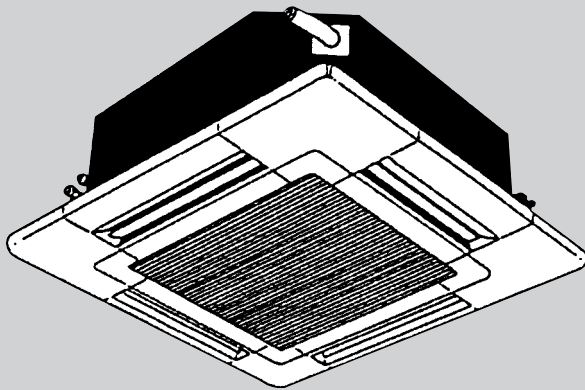
PLFY-P80VAM

PLFY-P100VAM

PLFY-P125VAM

[Service Ref.]

PLFY-P80VAM.UK
PLFY-P100VAM.UK
PLFY-P125VAM.UK



INDOOR UNIT

CONTENTS

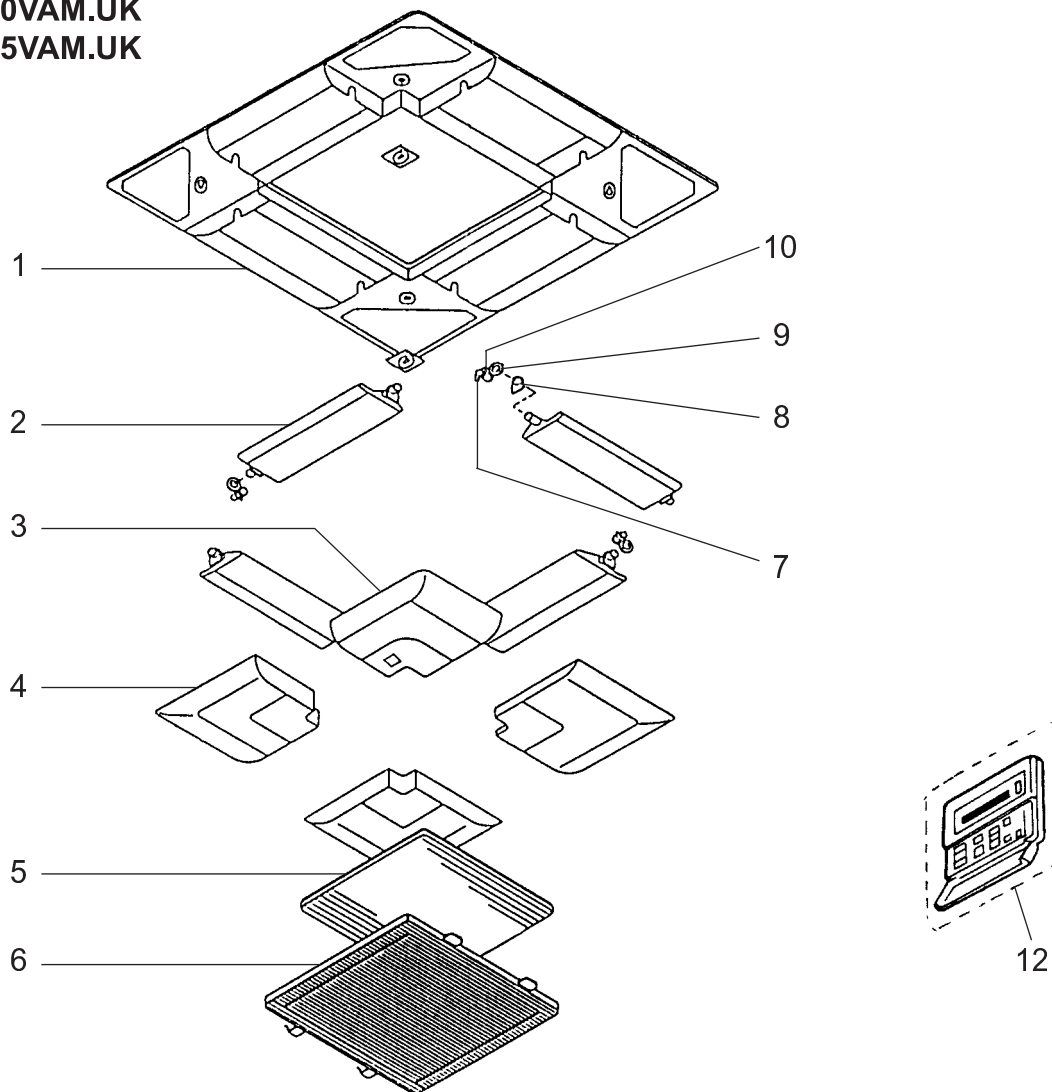
1. SAFETY PRECAUTION	3
2. PART NAMES AND FUNCTIONS	5
3. SPECIFICATION	7
4. 4-WAY AIR FLOW SYSTEM	8
5. OUTLINES AND DIMENSIONS	12
6. WIRING DIAGRAM	13
7. REFRIGERANT SYSTEM DIAGRAM	14
8. TROUBLE SHOOTING	15
9. DISASSEMBLY PROCEDURE	20
10. PARTS LIST	23
11. OPTIONAL PARTS	26

Mr. SLIM™

10

PARTS LIST

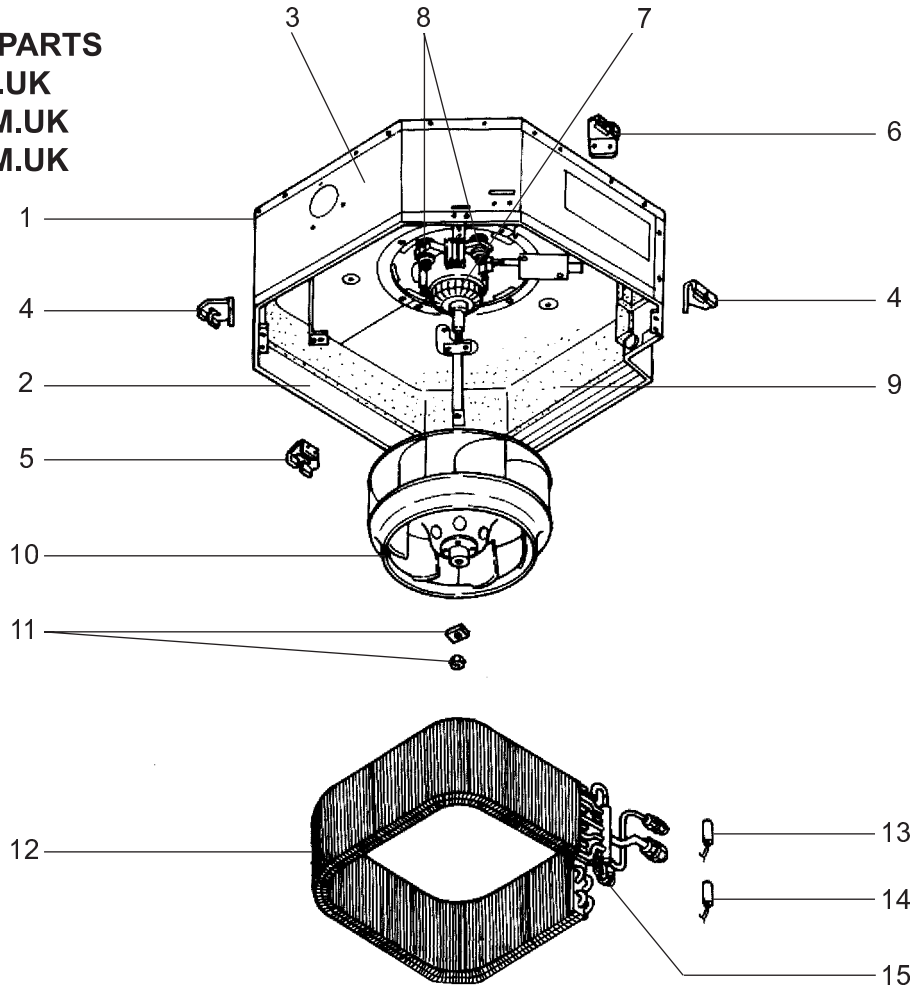
PANEL PARTS
 PLFY-P80VAM.UK
 PLFY-P100VAM.UK
 PLFY-P125VAM.UK



Part numbers that is circled is not shown in the figure.

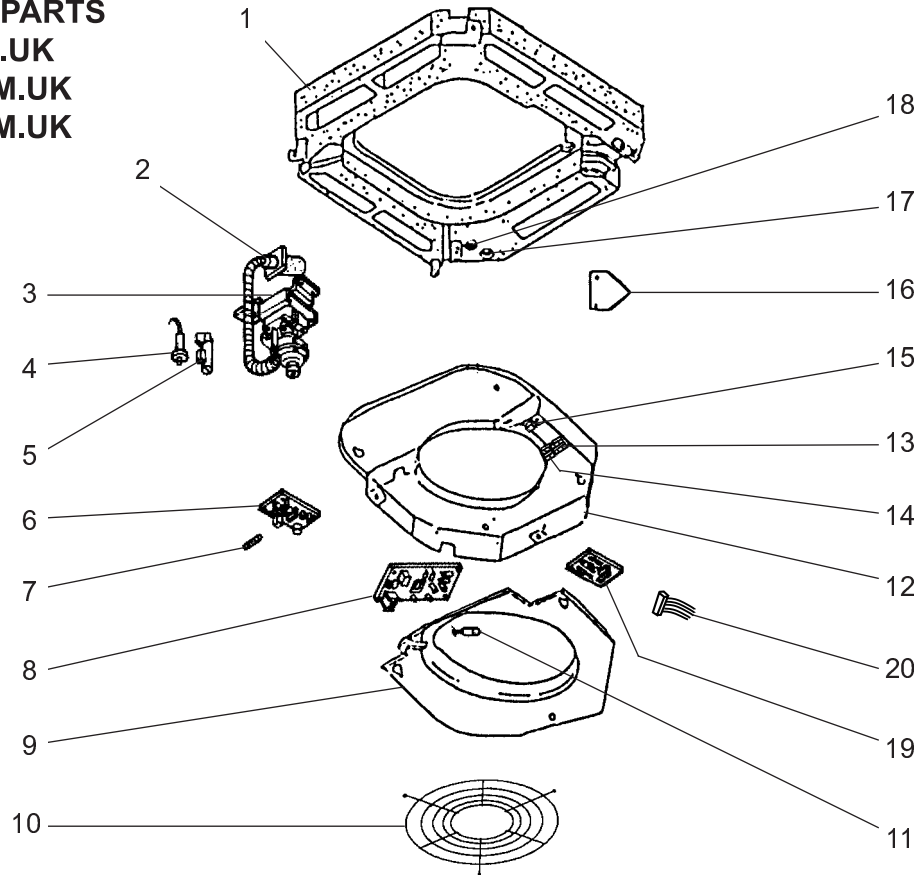
No.	Part No.	Part Name	Specification	Q'ty/set	Remarks (Drawing No.)	Wiring Diagram Symbol	Recom- mended Q'ty	Price	
				PLFY- P80 / P100 / P125 VAM.UK				Unit	Amount
1	S70 E10 003	AIR OUTLET GRILLE		1					
2	S70 E00 002	VANE ASSY		4					
3	S70 E01 638	CORNER PANEL		1					
4	S70 E00 638	CORNER PANEL		3					
5	S70 E00 500	L.L. FILTER		1					
6	S70 E00 691	GRILLE ASSY		1					
7	S70 E00 223	VANE MOTOR		4		MV			
8	S70 E00 063	VANE BUSH		8					
9	S70 E00 040	GEAR (VANE)		4					
10	S70 E01 040	GEAR (MOTOR)		4					
⑪	S70 E01 673	SCREW ASSY		1					
12	—	REMOTE CONTROLLER		1	<PAR-F25MA>	R.B			

FUNCTIONAL PARTS
PLFY-P80VAM.UK
PLFY-P100VAM.UK
PLFY-P125VAM.UK



No.	Part No.	Part Name	Specification	Q'ty/set		Remarks (Drawing No.)	Wiring Diagram Symbol	Recom- mended Q'ty	Price	
				PLFY- · VAM.UK					Unit	Amount
				P80	P100/P125					
1	S70 003 687	BASE DWG		1	1					
2	S70 005 688	DRUM 1 ASSY		1						
	S70 007 688	DRUM 1 ASSY			1					
3	S70 006 688	DRUM 2 ASSY		1						
	S70 008 688	DRUM 2 ASSY			1					
4	S70 E01 130	LEG		2	2					
5	S70 E02 130	LEG		1	1					
6	S70 E00 130	LEG		1	1					
7	S70 E06 762	FAN MOTOR		1			MF			
	S70 E07 762	FAN MOTOR			1		MF			
8	S70 A41 105	MOTOR MOUNT		4	4					
9	S70 E00 659	INNER COVER ASSY		1						
	S70 E02 659	INNER COVER ASSY			1					
10	S70 E00 114	TURBO FAN		1						
	S70 E01 114	TURBO FAN			1					
11	S70 08K 097	SPL WASHER		1	1					
12	S70 E15 480	HEAT EXCHANGER		1						
	S70 E17 480	HEAT EXCHANGER			1					
13	S70 17J 202	THERMISTOR (LIQUID)		1	1		TH22			
14	S70 79N 202	THERMISTOR (GAS)		1	1		TH23			
15	S70 E08 401	LINEAR EXPANSION VALVE		1	1		LEV			

FUNCTIONAL PARTS
PLFY-P80VAM.UK
PLFY-P100VAM.UK
PLFY-P125VAM.UK



No.	Part No.	Part Name	Specification	Q'ty/set			Remarks (Drawing No.)	Wiring Diagram Symbol	Recom- mended Q'ty	Price	
				PLFY- · VAM.UK						Unit	Amount
				P80	P100	P125					
1	S70 E02 529	DRAIN PAN		1							
	S70 E00 529	DRAIN PAN			1	1					
2	S70 A41 523	DRAIN SOCKET		1	1	1	<PART OF DRAIN PAN ASSY>				
3	S70 E01 355	DRAIN PUMP		1	1	1		DP			
4	S70 E00 266	DRAIN SENSOR		1	1	1		DS			
5	S70 31K 241	SENSOR HOLDER		1	1	1					
6	S70 E02 313	POWER BOARD		1	1	1		P.B			
7	S70 520 239	FUSE	250V 6.3A	1	1	1	<PART OF PCB>	FUSE			
8	S70 E10 310	CONTROLLER BOARD		1				I.B			
	S70 E11 310	CONTROLLER BOARD			1			I.B			
	S70 E12 310	CONTROLLER BOARD				1		I.B			
9	S70 003 503	BELL MOUTH (CONT. COVER ASSY)		1	1	1					
10	S70 E10 675	FAN GUARD		1	1	1					
11	S70 E00 202	THERMISTOR (ROOM)	1050XAP	1	1	1		TH21			
12	S70 E00 503	ELECTRICAL BOX (COVER)		1	1	1					
13	S70 521 716	TERMINAL BLOCK (POWER)	3P(L,N,⊕)	1	1	1		TB2			
14	S70 B02 716	TERMINAL BLOCK (TRANSMISSION)	3P(M1,M2,S)	1	1	1		TB5			
15	S70 17T 255	CAPACITOR	3.5μF 440V	1				C			
	S70 E02 255	CAPACITOR	7.0μF 440V		1	1		C			
16	S70 001 663	CORNER COVER		1	1	1					
17	S70 A41 524	DRAIN PLUG		1	1	1					
18	S70 A48 524	DRAIN PLUG		1	1	1					
19	S70 B01 294	ADDRESS BOARD		1	1	1		A.B			
20	S70 E00 304	ADDRESS CABLE		1	1	1					

11**OPTIONAL PARTS****11-1. Multi function casement**

Part No.	PAC-SG03TM-E
----------	--------------

11-2. Air outlet shutter plate (20sets, 2pcs / 1set)

Part No.	PAC-SG06SP-E
----------	--------------

11-3. High efficiency filter (PAC-SG03TM-E is required in using this optional part.)

Part No.	PAC-SG01KF
----------	------------

Mr. SLIM™

 **MITSUBISHI ELECTRIC CORPORATION**

HEAD OFFICE MITSUBISHI DENKI BLDG. MARUNOUCHI TOKYO100-8310 TELEX J24532 CABLE MELCO TOKYO