

SERVICE PARTS LIST FOR MITSUBISHI ELECTRIC PACKAGED AIR-CONDITIONERS

Series PEFY-P

Feb. `00

INDEX

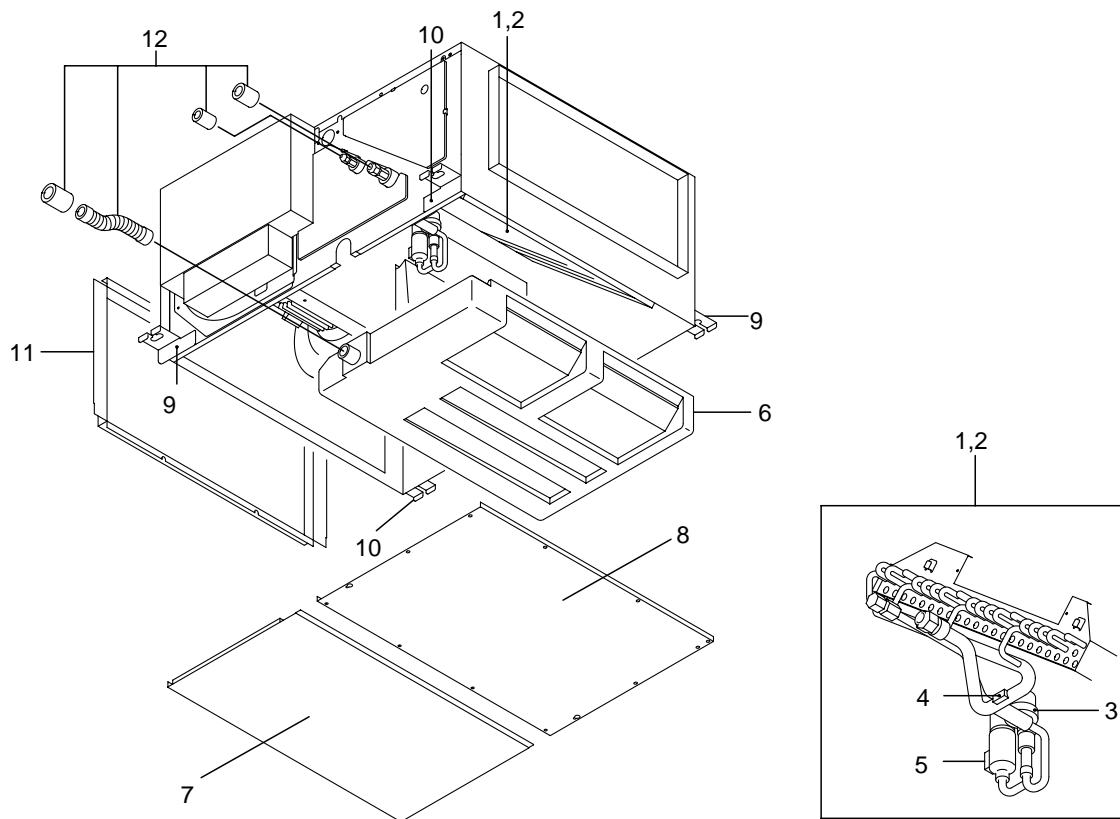
PEFY-P40,50,63VMH

PEFY-P71,80VMH

PEFY-P100,125,140VMH

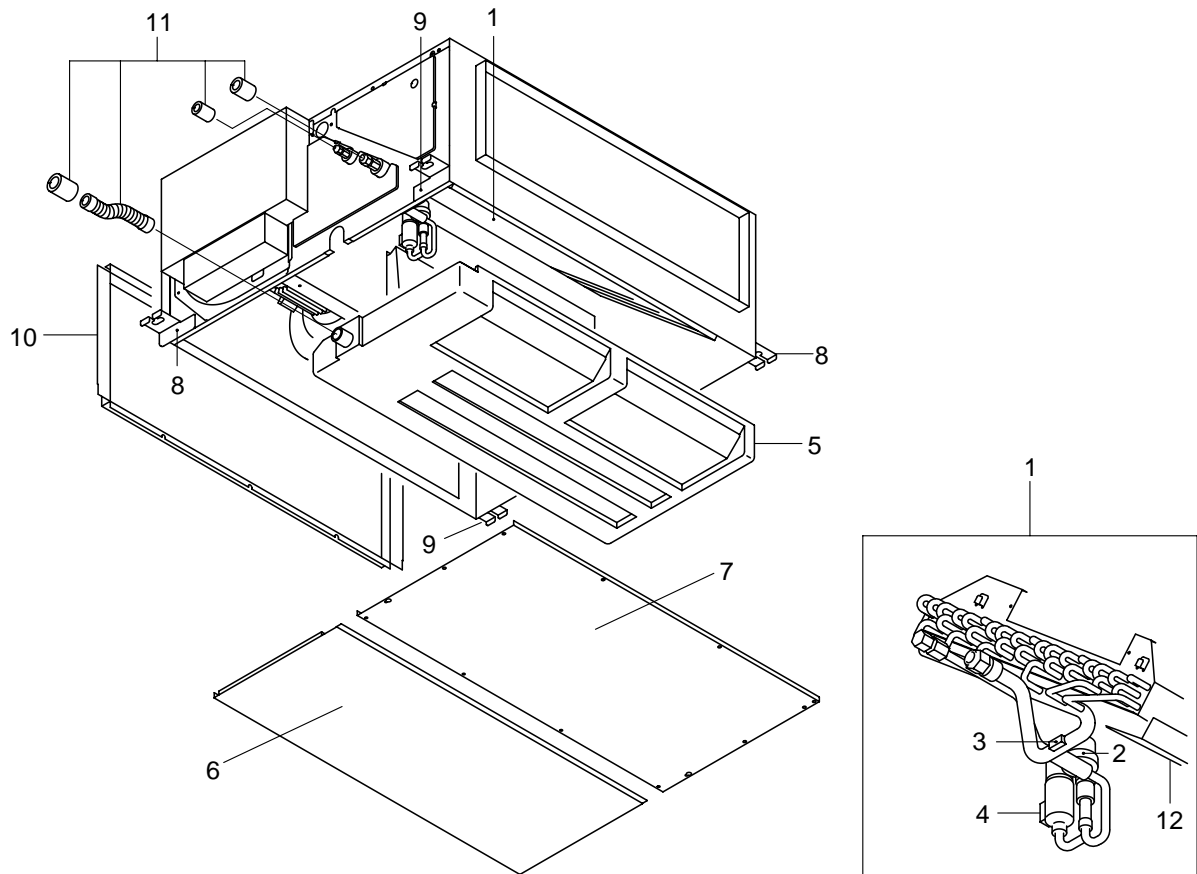
PEFY-P200,250VMH

PEFY-P45,50,63VMH
EXTERNAL PARTS



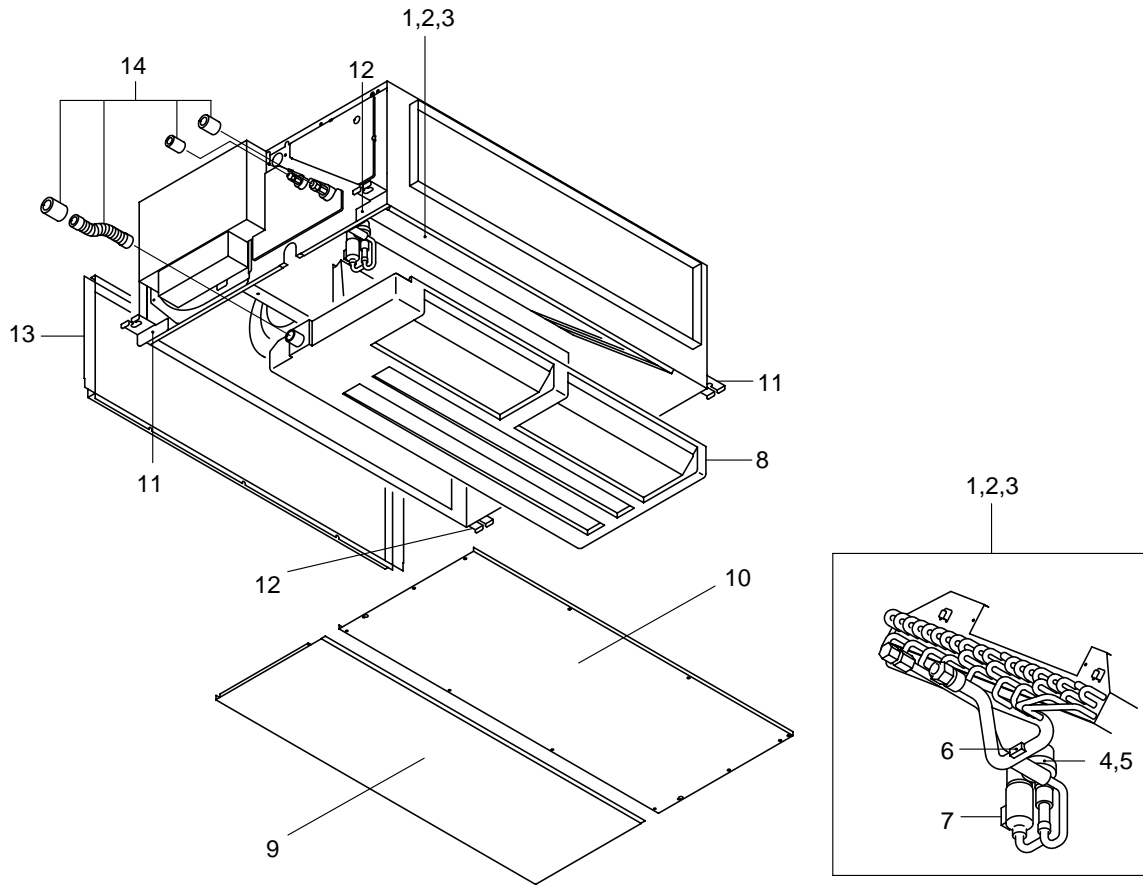
| No. | Part No. | Part Name | Dwg. No. | Q'ty / Set | | | Spec. | Price |
|-----|-------------|--------------------------|------------|-------------|-------------|-------------|---------|-------|
| | | | | -P40 VMH | -P50 VMH | -P63 VMH | | |
| 1 | R61 F92 480 | Heat exchanger ass'y P45 | W263072G28 | 1 | | | | |
| 2 | R61 F93 480 | Heat exchanger ass'y P56 | W263072G29 | | 1 | 1 | | |
| 3 | R61 358 401 | Linear expansion valve | P632255X01 | 1 | 1 | 1 | EDM-402 | |
| 4 | R61 358 203 | Thermistor | P425458X02 | 1 | 1 | 1 | <TH23> | |
| 5 | R61 358 202 | Thermistor | P425459X02 | 1 | 1 | 1 | <TH22> | |
| 6 | R61 F85 529 | Drain pan71 | W122290G07 | 1 | 1 | 1 | | |
| 7 | R61 F85 661 | Bottom plate ass'y 45 | W627491G04 | 1 | 1 | 1 | | |
| 8 | R61 F92 661 | Bottom plate A45 ass'y | W628696G01 | 1 | 1 | 1 | | |
| 9 | R61 F85 326 | Hanging metal fittings D | W398771H03 | 2 | 2 | 2 | | |
| 10 | R61 F86 326 | Hanging metal fittings D | W398771H04 | 2 | 2 | 2 | | |
| 11 | R61 F85 457 | Flange ass'y 45 | W627459G01 | 1 | 1 | 1 | | |
| 12 | R61 F85 525 | Drain hose set | P645065X01 | 1 | 1 | 1 | | |
| | | | | | | | | |
| | | | | | | | | |
| | | | | | | | | |
| | | | | | | | | |
| | | | | | | | | |
| | | | | | | | | |
| | | | | | | | | |
| | | | | | | | | |

PEFY-P71,80VMH
EXTERNAL PARTS



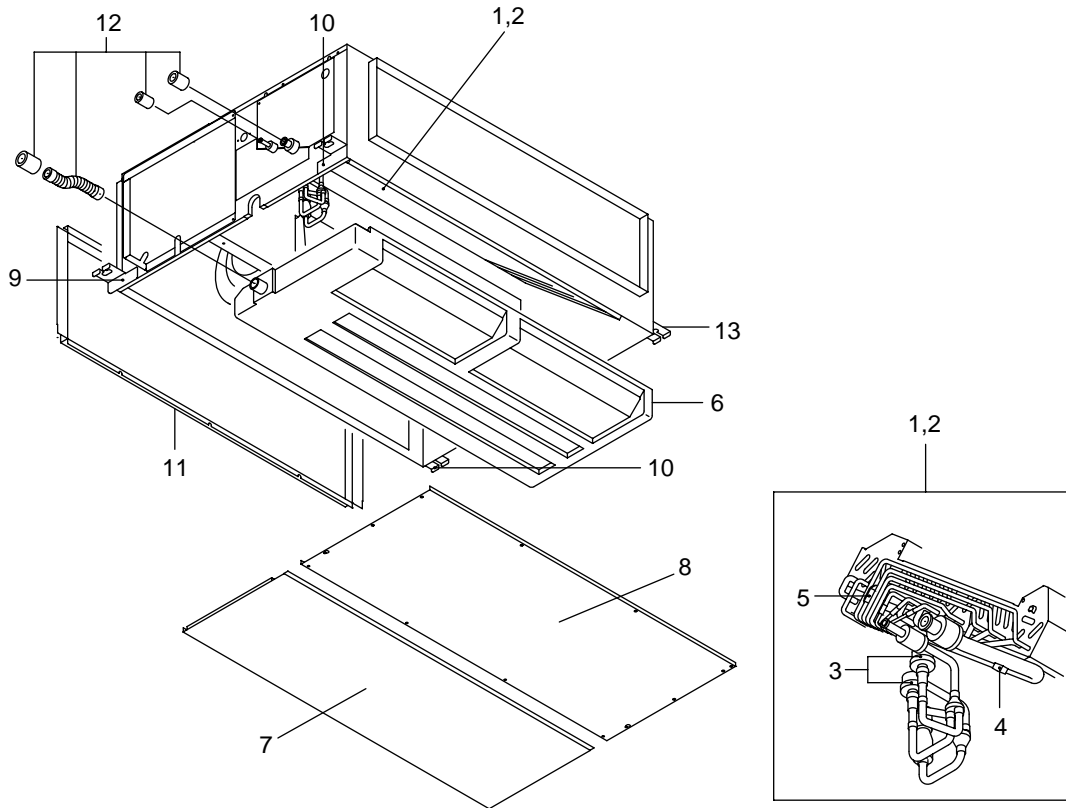
| No. | Part No. | Part Name | Dwg. No. | Q'ty / Set | | | | Spec. | Price |
|-----|-------------|--------------------------|------------|-------------|-------------|--|---------|-------|-------|
| | | | | -P71 VMH | -P80 VMH | | | | |
| 1 | R61 F94 480 | Heat exchanger ass'y P80 | W263072G30 | 1 | 1 | | | | |
| 2 | R61 361 401 | Linear expansion valve | P632257X01 | 1 | 1 | | EDM-804 | | |
| 3 | R61 358 203 | Thermistor | P425458X02 | 1 | 1 | | <TH23> | | |
| 4 | R61 358 202 | Thermistor | P425459X02 | 1 | 1 | | <TH22> | | |
| 5 | R61 F88 529 | Drain pan 90 | W122290G08 | 1 | 1 | | | | |
| 6 | R61 F88 661 | Bottom plate ass'y 80 | W627491G05 | 1 | 1 | | | | |
| 7 | R61 F94 661 | Bottom plate A80 ass'y | W628696G02 | 1 | 1 | | | | |
| 8 | R61 F85 326 | Hanging metal fittings D | W398771H03 | 2 | 2 | | | | |
| 9 | R61 F86 326 | Hanging metal fittings D | W398771H04 | 2 | 2 | | | | |
| 10 | R61 F88 457 | Flange ass'y 80 | W627459G02 | 1 | 1 | | | | |
| 11 | R61 F85 525 | Drain hose set | P645065X01 | 1 | 1 | | | | |
| 12 | R61 F88 667 | Partition board | W868141G01 | 1 | 1 | | | | |
| | | | | | | | | | |
| | | | | | | | | | |
| | | | | | | | | | |
| | | | | | | | | | |
| | | | | | | | | | |
| | | | | | | | | | |
| | | | | | | | | | |

PEFY-P100,125,140VMH
EXTERNAL PARTS



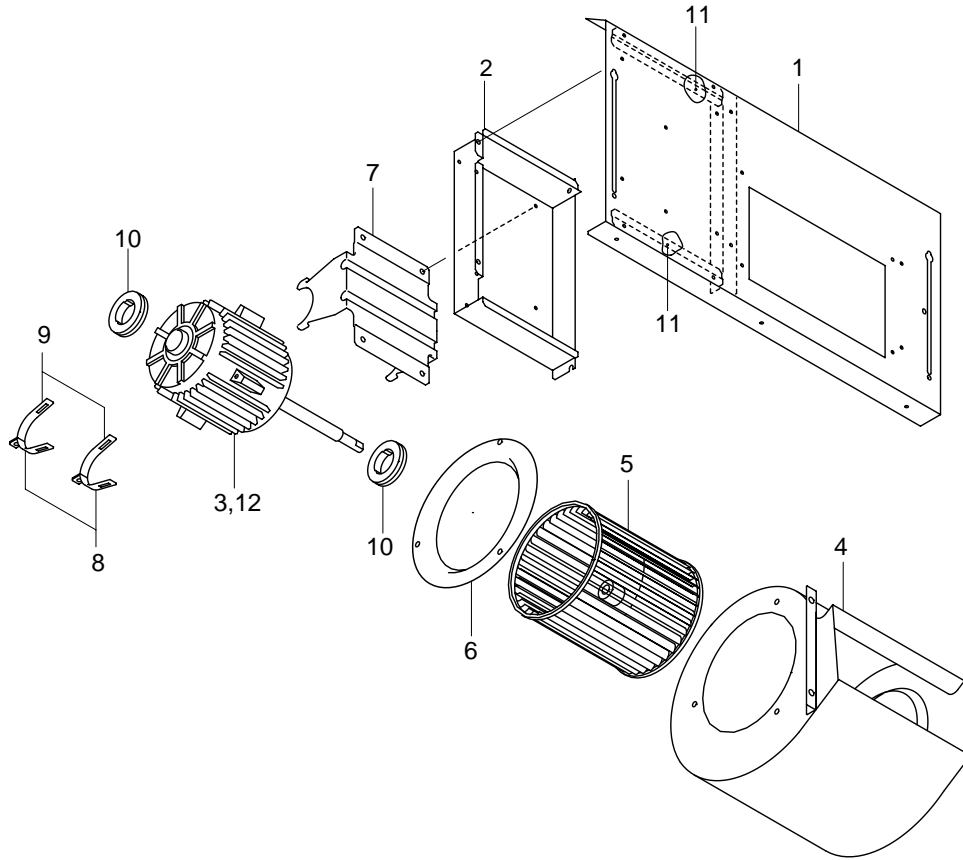
| No. | Part No. | Part Name | Dwg. No. | Q'ty / Set | | | Spec. | Price |
|-----|-------------|---------------------------|------------|--------------|--------------|--------------|----------|-------|
| | | | | -P100 VMH | -P125 VMH | -P140 VMH | | |
| 1 | R61 F95 480 | Heat exchanger ass'y P112 | W263072G31 | 1 | | | | |
| 2 | R61 F96 480 | Heat exchanger ass'y P140 | W263072G32 | | 1 | | | |
| 3 | R61 G87 480 | Heat exchanger ass'y P160 | W263072G22 | | | 1 | | |
| 4 | R61 361 401 | Linear expansion valve | P632257X01 | 1 | 1 | | EDM-804 | |
| 5 | R61 364 401 | Linear expansion valve | P632259X01 | | | 1 | EDM-1004 | |
| 6 | R61 358 203 | Thermistor | P425458X02 | 1 | 1 | 1 | <TH23> | |
| 7 | R61 358 202 | Thermistor | P425459X02 | 1 | 1 | 1 | <TH22> | |
| 8 | R61 F90 529 | Drain pan 140 | W122290G09 | 1 | 1 | 1 | | |
| 9 | R61 F90 661 | Bottom plate ass'y112 | W627491G06 | 1 | 1 | 1 | | |
| 10 | R61 F95 661 | Bottom plate A112 ass'y | W628696G03 | 1 | 1 | 1 | | |
| 11 | R61 F85 326 | Hanging metal fittings D | W398771H03 | 2 | 2 | 2 | | |
| 12 | R61 F86 326 | Hanging metal fittings D | W398771H04 | 2 | 2 | 2 | | |
| 13 | R61 F90 457 | Flange ass'y 112 | W627459G03 | 1 | 1 | 1 | | |
| 14 | R61 F85 525 | Drain hose set | P645065X01 | 1 | 1 | 1 | | |
| | | | | | | | | |
| | | | | | | | | |
| | | | | | | | | |
| | | | | | | | | |
| | | | | | | | | |

PEFY-P200,250VMH
 EXTERMINAL PARTS



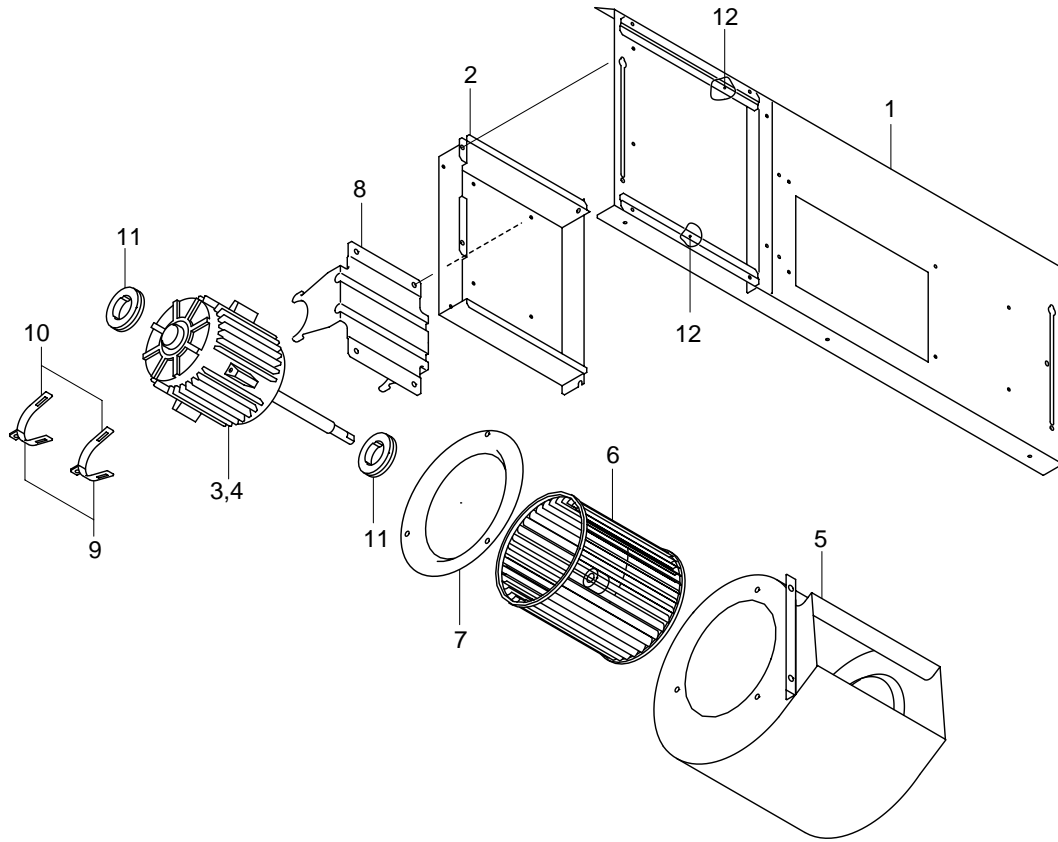
| No. | Part No. | Part Name | Dwg. No. | Q'ty / Set | | | | Spec. | Price |
|-----|-------------|---------------------------|------------|--------------|--------------|--|---------|-------|-------|
| | | | | -P200 VMH | -P250 VMH | | | | |
| 1 | R61 H44 480 | Heat exchanger ass'y P224 | W264345G07 | 1 | | | | | |
| 2 | R61 H45 480 | Heat exchanger ass'y P280 | W264345G08 | | 1 | | | | |
| 3 | R61 361 401 | Linear expansion valve | P632257X01 | 2 | 2 | | EDM-804 | | |
| 4 | R61 358 203 | Thermistor | P425458X02 | 1 | 1 | | | | |
| 5 | R61 358 202 | Thermistor | P425459X02 | 1 | 1 | | | | |
| 6 | R61 H42 529 | Drain pan 224 | W125114G01 | 1 | 1 | | | | |
| 7 | R61 H42 661 | Bottom plate ass'y 224 | W627491G07 | 1 | 1 | | | | |
| 8 | R61 H43 661 | Bottom plate A224 ass'y | W628696G04 | 1 | 1 | | | | |
| 9 | R61 F85 326 | Hanging metal fittings D | W398771H03 | 1 | 1 | | | | |
| 10 | R61 F86 326 | Hanging metal fittings D | W398771H04 | 2 | 2 | | | | |
| 11 | R61 H42 457 | Flange ass'y | W630285G01 | 1 | 1 | | | | |
| 12 | R61 H20 525 | Drain hose set | P645068X01 | 1 | 1 | | | | |
| 13 | R61 H42 326 | Hanging metal fittings | W871827G01 | 1 | 1 | | | | |
| | | | | | | | | | |
| | | | | | | | | | |
| | | | | | | | | | |
| | | | | | | | | | |
| | | | | | | | | | |

PEFY-P45,50,63VMH
BLOWER PARTS



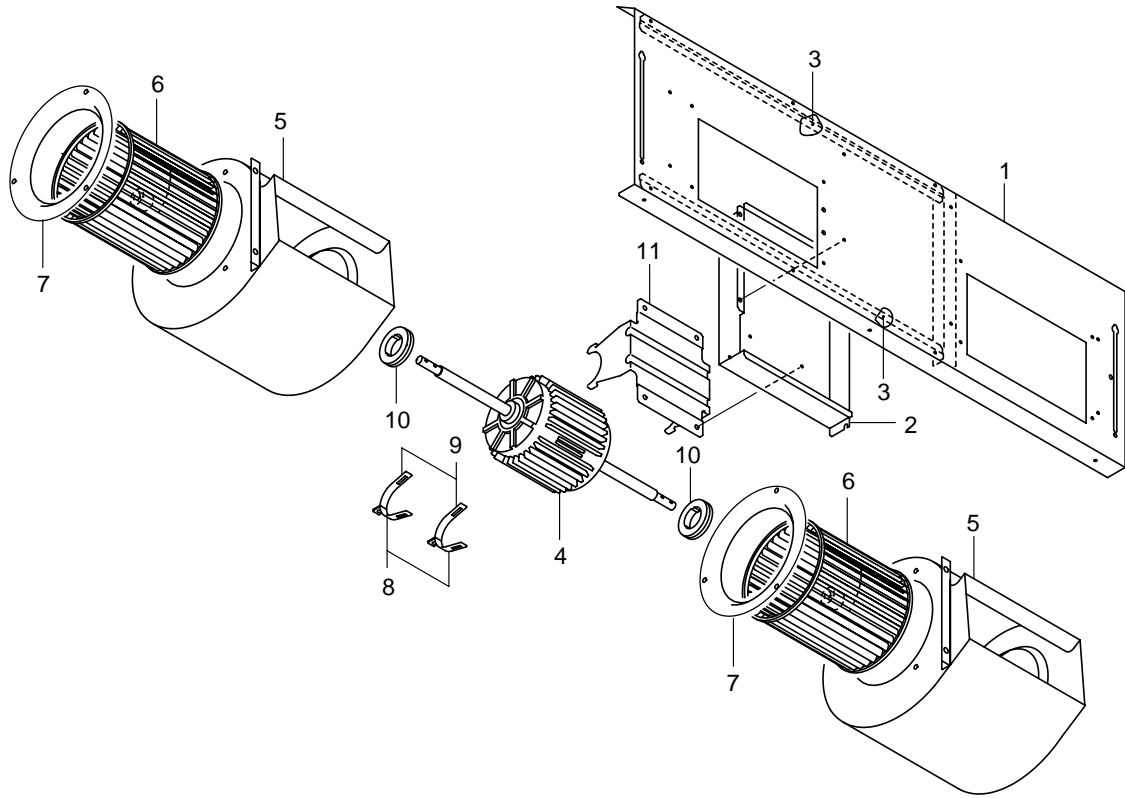
| No. | Part No. | Part Name | Dwg. No. | Q'ty / Set | | | Spec. | Price |
|-----|-------------|----------------------------|------------|-------------|-------------|-------------|-------|-------|
| | | | | -P40 VMH | -P50 VMH | -P63 VMH | | |
| 1 | R61 F85 140 | Fan stand 45 | W263051H03 | 1 | 1 | 1 | | |
| 2 | R61 F88 133 | Motor stand | W627910H03 | 1 | 1 | 1 | | |
| 3 | R61 Y24 221 | Motor P63H | P714693X01 | | | 1 | | |
| 4 | R61 F85 110 | Fan casing | W122291G01 | 1 | 1 | 1 | | |
| 5 | R61 F85 114 | Sirocco fan | W122292G02 | 1 | 1 | 1 | | |
| 6 | R61 F85 119 | Bell mouth | W866104H01 | 1 | 1 | 1 | | |
| 7 | R61 772 130 | Leg | R02G131H07 | 1 | 1 | 1 | | |
| 8 | R60 507 131 | Fixing plate | R02F328H09 | 2 | 2 | 2 | | |
| 9 | R60 507 132 | Fixing plate(with the nut) | R02F328G84 | 2 | 2 | 2 | | |
| 10 | R61 755 104 | Rubber bush | R31F676H01 | 2 | 2 | 2 | | |
| 11 | R61 F85 573 | Guide 71 | W866123H01 | 2 | 2 | 2 | | |
| 12 | R61 Y27 221 | Motor | P714692X01 | 1 | 1 | | P40H | |
| | | | | | | | | |
| | | | | | | | | |
| | | | | | | | | |
| | | | | | | | | |
| | | | | | | | | |
| | | | | | | | | |
| | | | | | | | | |

PEFY-P71,80VMH
BLOWER PARTS



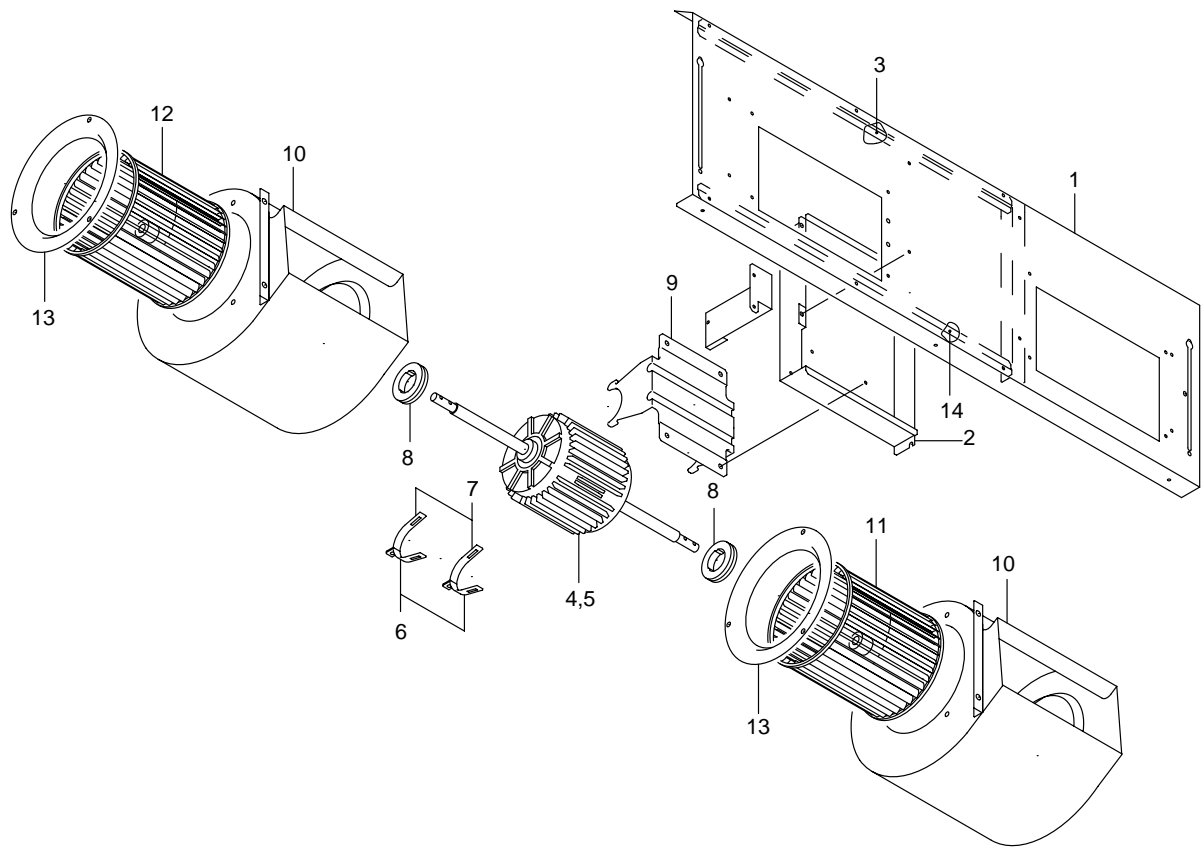
| No. | Part No. | Part Name | Dwg. No. | Q'ty / Set | | | | Spec. | Price |
|-----|-------------|----------------------------|------------|-------------|-------------|--|--|-------|-------|
| | | | | -P71 VMH | -P80 VMH | | | | |
| 1 | R61 F88 140 | Fan stand 80 | W263052H03 | 1 | 1 | | | | |
| 2 | R61 F85 133 | Motor stand | W627464H03 | 1 | 1 | | | | |
| 3 | R61 Y25 221 | Motor P71H | P714694X01 | 1 | | | | | |
| 4 | R61 Y26 221 | Motor P80H | P714695X01 | | 1 | | | | |
| 5 | R61 F85 110 | Fancasing | W122291G01 | 1 | 1 | | | | |
| 6 | R61 F85 114 | Sirocco fan | W122292G02 | 1 | 1 | | | | |
| 7 | R61 F85 119 | Bell mouth | W866104H01 | 1 | 1 | | | | |
| 8 | R61772 130 | Leg | R02G131H07 | 1 | 1 | | | | |
| 9 | R60 507 131 | Fixing plate | R02F328H09 | 2 | 2 | | | | |
| 10 | R60 507 132 | Fixing plate(with the nut) | R02F328G84 | 2 | 2 | | | | |
| 11 | R61 755 104 | Rubber bush | R31F676H01 | 2 | 2 | | | | |
| 12 | R61 F88 573 | Guide 80 | W866123H02 | 2 | 2 | | | | |
| | | | | | | | | | |
| | | | | | | | | | |
| | | | | | | | | | |
| | | | | | | | | | |
| | | | | | | | | | |
| | | | | | | | | | |
| | | | | | | | | | |

PEFY-P100,125,140VMH
BLOWER PARTS



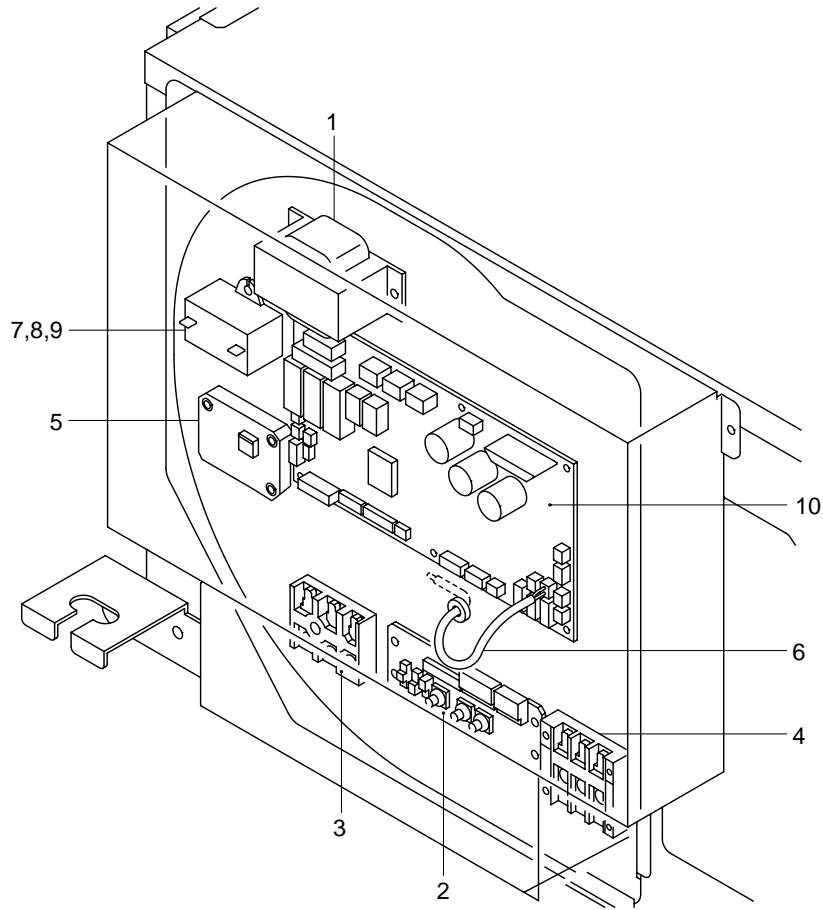
| No. | Part No. | Part Name | Dwg. No. | Q'ty / Set | | | Spec. | Price |
|-----|-------------|----------------------------|------------|------------|-----------|-----------|-------|-------|
| | | | | -P100 VMH | -P125 VMH | -P140 VMH | | |
| 1 | R61 G86 140 | Fan stnad 112 | W263037H04 | 1 | 1 | 1 | | |
| 2 | R61 F85 133 | Motor stand | W627464H03 | 1 | 1 | 1 | | |
| 3 | R61 F90 573 | Guide 112 | W866123H03 | 2 | 2 | 2 | | |
| 4 | R61 Y28 221 | Motor | P714696X01 | 1 | 1 | 1 | P100H | |
| 5 | R61 F85 110 | Fan casing | W122291G01 | 2 | 2 | 2 | | |
| 6 | R61 F85 114 | Sirocco fan | W122292G02 | 2 | 2 | 2 | | |
| 7 | R61 F85 119 | Bell mouth | W866104H01 | 2 | 2 | 2 | | |
| 8 | R60 508 131 | Fixing plate | R02K338H02 | 2 | 2 | 2 | | |
| 9 | R60 508 132 | Fixing plate(with the nut) | R02K338G82 | 2 | 2 | 2 | | |
| 10 | R61 Y01 104 | Rubber bush | W860050H02 | 2 | 2 | 2 | | |
| 11 | R60 508 130 | Leg | R02L922H02 | 1 | 1 | 1 | | |
| | | | | | | | | |
| | | | | | | | | |
| | | | | | | | | |
| | | | | | | | | |
| | | | | | | | | |
| | | | | | | | | |
| | | | | | | | | |
| | | | | | | | | |

PEFY-P200,250VMH
BLOWER PARTS



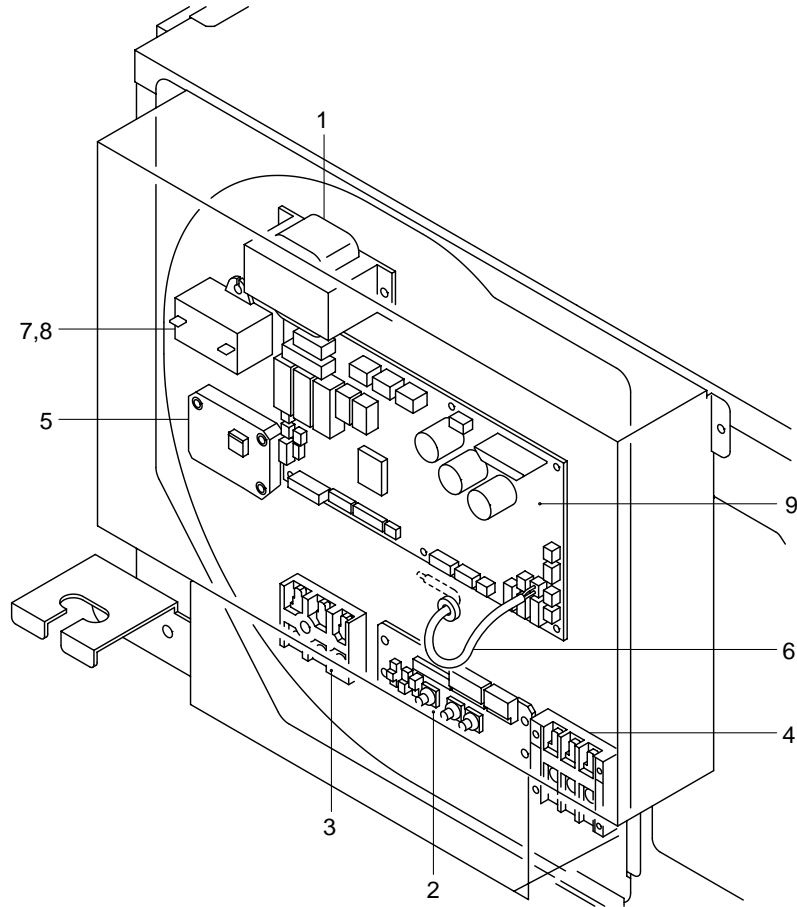
| No. | Part No. | Part Name | Dwg. No. | Q'ty / Set | | | | Spec. | Price |
|-----|-------------|----------------------------|------------|------------|-----------|--|--|-------|-------|
| | | | | -P200 VMH | -P250 VMH | | | | |
| 1 | R61 H42 140 | Fan stand | W631853G01 | 1 | 1 | | | | |
| 2 | R61 H42 133 | Motor stand | W630282H01 | 1 | 1 | | | | |
| 3 | R61 H42 573 | Guide | W866123H04 | 1 | 1 | | | | |
| 4 | R61 Y29 221 | Motor | P714679X01 | 1 | | | | | |
| 5 | R61 Y30 221 | Motor | P714680X01 | | 1 | | | | |
| 6 | R60 508 131 | Fixing plate | R02K338H02 | 2 | 2 | | | | |
| 7 | R60 508 132 | Fixing plate(with the nut) | R02K338G82 | 2 | 2 | | | | |
| 8 | R61 Y01 104 | Rubber bush | W860050H02 | 2 | 2 | | | | |
| 9 | R60 508 130 | Leg | R02L922H02 | 1 | 1 | | | | |
| 10 | R61 H20 110 | Fan casing | W264318G01 | 2 | 2 | | | | |
| 11 | R60 311 114 | Sirocco fan ass'y | R00C723G85 | 1 | 1 | | | | |
| 12 | R60 311 115 | Sirocco fan ass'y | R00C723G86 | 1 | 1 | | | | |
| 13 | R61 249 119 | Bell mouth | R02F474H03 | 2 | 2 | | | | |
| 14 | R61 H43 573 | Guide 224 | W866123H05 | 1 | 1 | | | | |
| | | | | | | | | | |
| | | | | | | | | | |
| | | | | | | | | | |
| | | | | | | | | | |
| | | | | | | | | | |

PEFY-P40,50,63,71VMH
CONTROL BOX PARTS



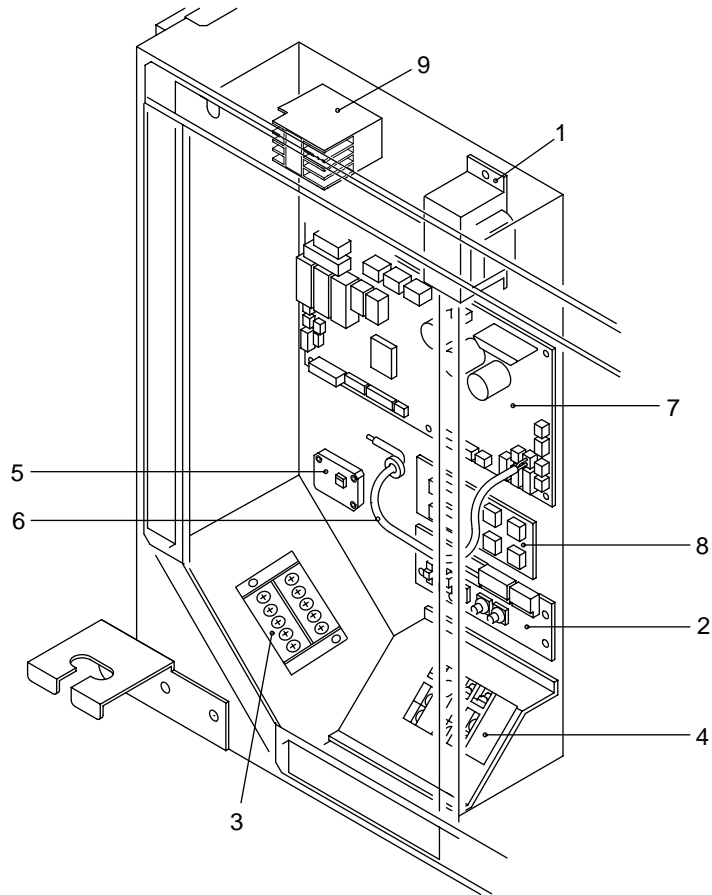
| No. | Part No. | Part Name | Dwg. No. | Q'ty / Set | | | | Spec. | Price |
|-----|-------------|-------------------------|------------|-------------|-------------|-------------|-------------|-------------------|-------|
| | | | | -P40 VMH | -P50 VMH | -P63 VMH | -P71 VMH | | |
| 1 | R61 Y08 260 | Transformer | P715268X02 | 1 | 1 | 1 | 1 | 240/23.5V-0.9A VH | |
| 2 | R61 Y21 280 | Board ass'y FP-AD-S | W254527G02 | 1 | 1 | 1 | 1 | | |
| 3 | R61 Y08 715 | Terminal bed | P436157X01 | 1 | 1 | 1 | 1 | <TB2> | |
| 4 | R61 978 247 | Terminal bed | P436109X01 | 1 | 1 | 1 | 1 | <TB5> | |
| 5 | R61 Y22 280 | Board ass'y FP-DSA | W848419G01 | 1 | 1 | 1 | 1 | | |
| 6 | R61 373 202 | Thermistor | P425455X01 | 1 | 1 | 1 | 1 | | |
| 7 | R61 E65 252 | Condenser 3UF | P412204X01 | 1 | 1 | | | 440AC | |
| 8 | R61 Y08 252 | Condenser 4UF | P412209X01 | | | 1 | | | |
| 9 | R61 F79 252 | Condenser 5UF | P412214X01 | | | | 1 | | |
| 10 | R61 Y14 281 | Board ass'y PEFY,PFPT-P | W254654G18 | 1 | 1 | 1 | 1 | | |
| | | | | | | | | | |
| | | | | | | | | | |
| | | | | | | | | | |
| | | | | | | | | | |
| | | | | | | | | | |
| | | | | | | | | | |
| | | | | | | | | | |
| | | | | | | | | | |

PEFY-P80,100,125,140VMH
CONTROL BOX PARTS



| No. | Part No. | Part Name | Dwg. No. | Q'ty / Set | | | | Spec. | Price |
|-----|-------------|-------------------------|------------|------------|-----------|-----------|-----------|-------------------|-------|
| | | | | -P80 VMH | -P100 VMH | -P125 VMH | -P140 VMH | | |
| 1 | R61 Y08 260 | Transformer | P715268X02 | 1 | 1 | 1 | 1 | 240/23.5V-0.9A VH | |
| 2 | R61 Y21 280 | Board ass'y FP-AD-S | W254527G02 | 1 | 1 | 1 | 1 | | |
| 3 | R61 Y08 715 | Terminal bed | P436157X01 | 1 | 1 | 1 | 1 | <TB2> | |
| 4 | R61 978 247 | Terminal bed | P436109X01 | 1 | 1 | 1 | 1 | <TB5> | |
| 5 | R61 Y22 280 | Board ass'y FP-DSA | W848419G01 | 1 | 1 | 1 | 1 | | |
| 6 | R61 373 202 | Thermistor | P425455X01 | 1 | 1 | 1 | 1 | | |
| 7 | R61 F79 252 | Condenser 5UF | P412214X01 | 1 | | | | | |
| 8 | R61 Y16 252 | Condenser 7UF | P412217X01 | | 1 | 1 | 1 | | |
| 9 | R61 Y14 281 | Board ass'y PEFY,PFPT-P | W254654G18 | 1 | 1 | 1 | 1 | | |
| | | | | | | | | | |
| | | | | | | | | | |
| | | | | | | | | | |
| | | | | | | | | | |
| | | | | | | | | | |
| | | | | | | | | | |
| | | | | | | | | | |
| | | | | | | | | | |
| | | | | | | | | | |
| | | | | | | | | | |
| | | | | | | | | | |
| | | | | | | | | | |
| | | | | | | | | | |
| | | | | | | | | | |
| | | | | | | | | | |

PEFY-P200,250VMH
CONTROL BOX PARTS



| No. | Part No. | Part Name | Dwg. No. | Q'ty / Set | | | | Spec. | Price |
|-----|-------------|-------------------------|------------|--------------|--------------|--|--|-------------------|-------|
| | | | | -P200 VMH | -P250 VMH | | | | |
| 1 | R61 Y08 260 | Transformer | P715268X02 | 1 | 1 | | | 240/23.5V-0.9A VH | |
| 2 | R61 Y21 280 | Board ass'y FP-AD-S | W254527G02 | 1 | 1 | | | | |
| 3 | R61 Y02 246 | Terminal bed | P436135X01 | 1 | 1 | | | LVD | |
| 4 | R61 978 247 | Terminal bed | P436109X01 | 1 | 1 | | | LVD | |
| 5 | R61 Y22 280 | Board ass'y FP-DSA | W848419G01 | 1 | 1 | | | | |
| 6 | R61 373 202 | Thermistor | P425455X01 | 1 | 1 | | | | |
| 7 | R61 Y14 281 | Board ass'y PEFY,PFFY-P | W254654G18 | 1 | 1 | | | | |
| 8 | R61 350 280 | LEV adaptor board ass'y | W601714G02 | 1 | 1 | | | | |
| 9 | R61 Y02 226 | Solenoid switch | S427019H02 | 1 | 1 | | | MSO-N11AR | |
| | | | | | | | | | |
| | | | | | | | | | |
| | | | | | | | | | |
| | | | | | | | | | |
| | | | | | | | | | |
| | | | | | | | | | |
| | | | | | | | | | |
| | | | | | | | | | |
| | | | | | | | | | |
| | | | | | | | | | |
| | | | | | | | | | |

