

SERVICE PARTS LIST FOR MITSUBISHI ELECTRIC PACKAGED AIR-CONDITIONERS

Series PU(H)Y-YMF-C(-BS,-BF,-BFA)

REVISED

Apr. 2008

BWE0305A

INDEX

PU(H)Y-200YMF-C

PU(H)Y-250YMF-C

PU(H)Y-200YMF-C-BS

PU(H)Y-250YMF-C-BS

PU(H)Y-200YMF-C-BF

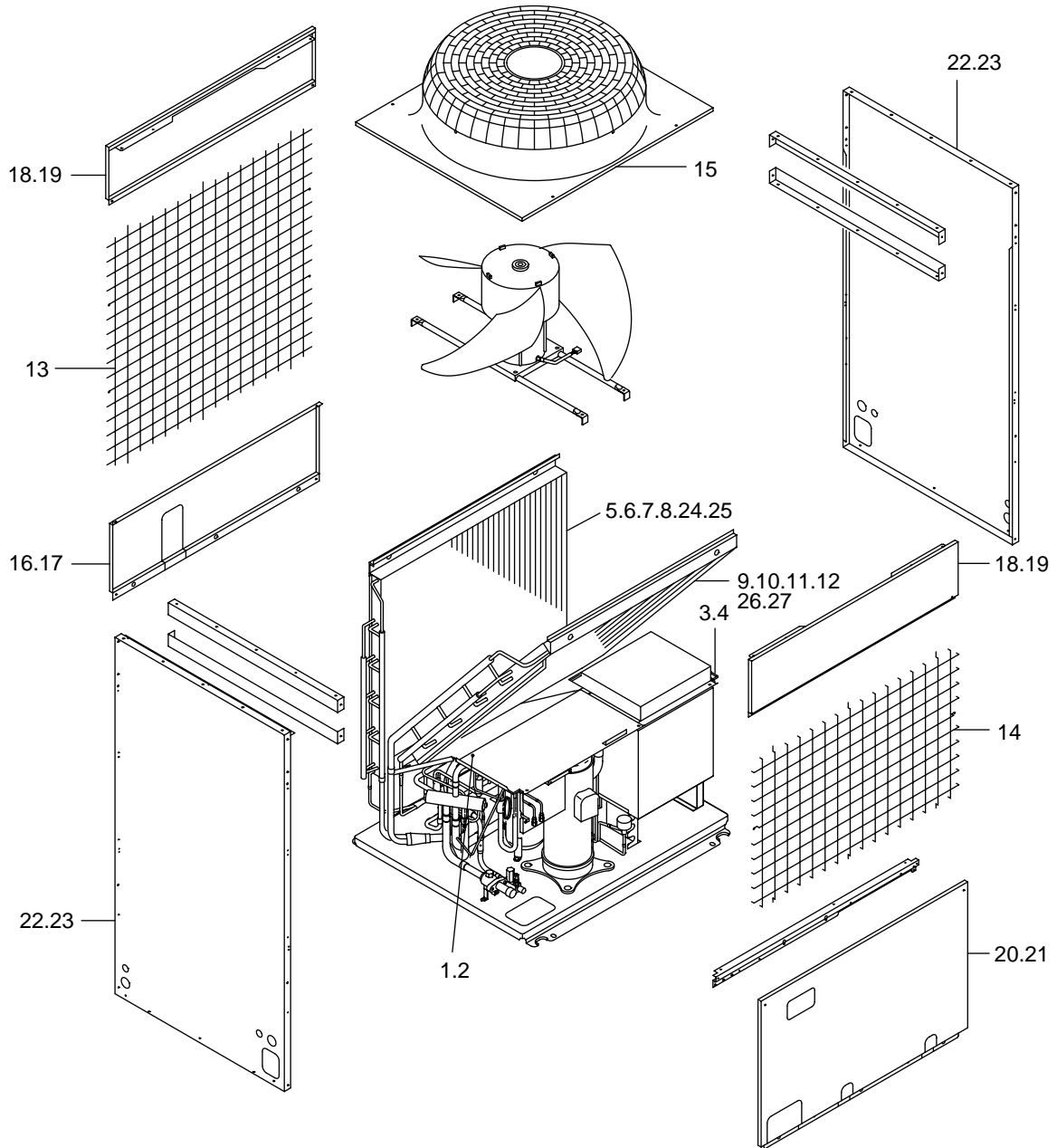
PU(H)Y-250YMF-C-BF

PU(H)Y-200YMF-C-BFA

PU(H)Y-250YMF-C-BFA



PU(H)Y-200YMF-C(-BS,-BF,-BFA) EXTERNAL PARTS
PU(H)Y-250YMF-C(-BS,-BF,-BFA)



No.	Part No.	G : RoHS Apply Only W : RoHS Apply by Running Change	Part Name	Spec.								Dwg. No.	Price	Revision History	
															-200YMF-C
1	R63 Y06 629	G	Partition board L ass'y		1	1					1	1	W639800G05		A
2	R61 Y09 629	W	Partition board L ass'y				1	1					W639800G06		A
3	R63 Y07 629	G	Partition board R ass'y		1	1					1	1	W639809G13		A
4	R61 Y10 629		Partition board R ass'y				1	1					W639809G14		A
5	R61 Y86 480		Heat exchanger B		1								W126050G04		
6	R61 Y05 481		Heat exchanger B				1						W126050G05		
7	R61 Y87 480		Heat exchanger B			1							W126026G29		A
8	R61 Y04 481		Heat exchanger B					1					W126026G32		A
9	R61 Y88 480		Heat exchanger F		1								W126049G04		
10	R61 Y06 481		Heat exchanger F				1						W126049G05		
11	R61 Y89 480		Heat exchanger F			1							W126025G21		A
12	R61 Y07 481		Heat exchanger F					1					W126025G22		A
13	R63 A42 638	G	Guard B ass'y		1	1	1	1	1	1	1	1	W265789G01		A
14	R63 E66 611	G	Guard F ass'y		1	1	1	1	1	1	1	1	W265788G01		A
15	R63 A52 118	G	Fan guard	With the Drum	1	1	1	1	1	1	1	1	W123195G01		A
16	R61 Y01 677	W	Panel B ass'y		1	1					1	1	W615886G16		A
17	R61 Y01 677	W	Panel B ass'y				1	1					W615886G16		A
18	R12 001 669	G	Panel FU		2	2					2	2	W633746G09		A
19	R12 002 669	G	Panel FU				2	2					W633746G10		A
20	R63 Y13 652	G	Panel F ass'y		1	1					1	1	W857425G50		A
21	R61 Y14 652	W	Panel F ass'y				1	1					W857425G51		A
22	R61 001 655	G	Panel S		2	2					2	2	W272421G04		A
23	R61 002 655	G	Panel S(BS)				2	2					W272421G05		A
24	R61 Y23 481		Heat exchanger B								1		W126050G06		
25	R63 Y19 481	G	Heat exchanger B									1	W126026G33		A
26	R61 Y25 481		Heat exchanger F								1		W126049G06		
27	R61 Y26 481		Heat exchanger F									1	W126025G23		A

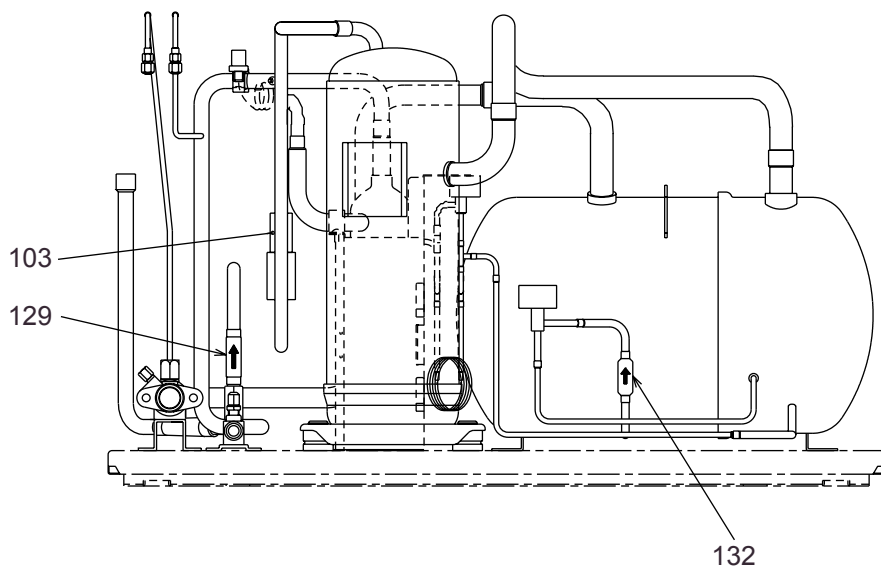
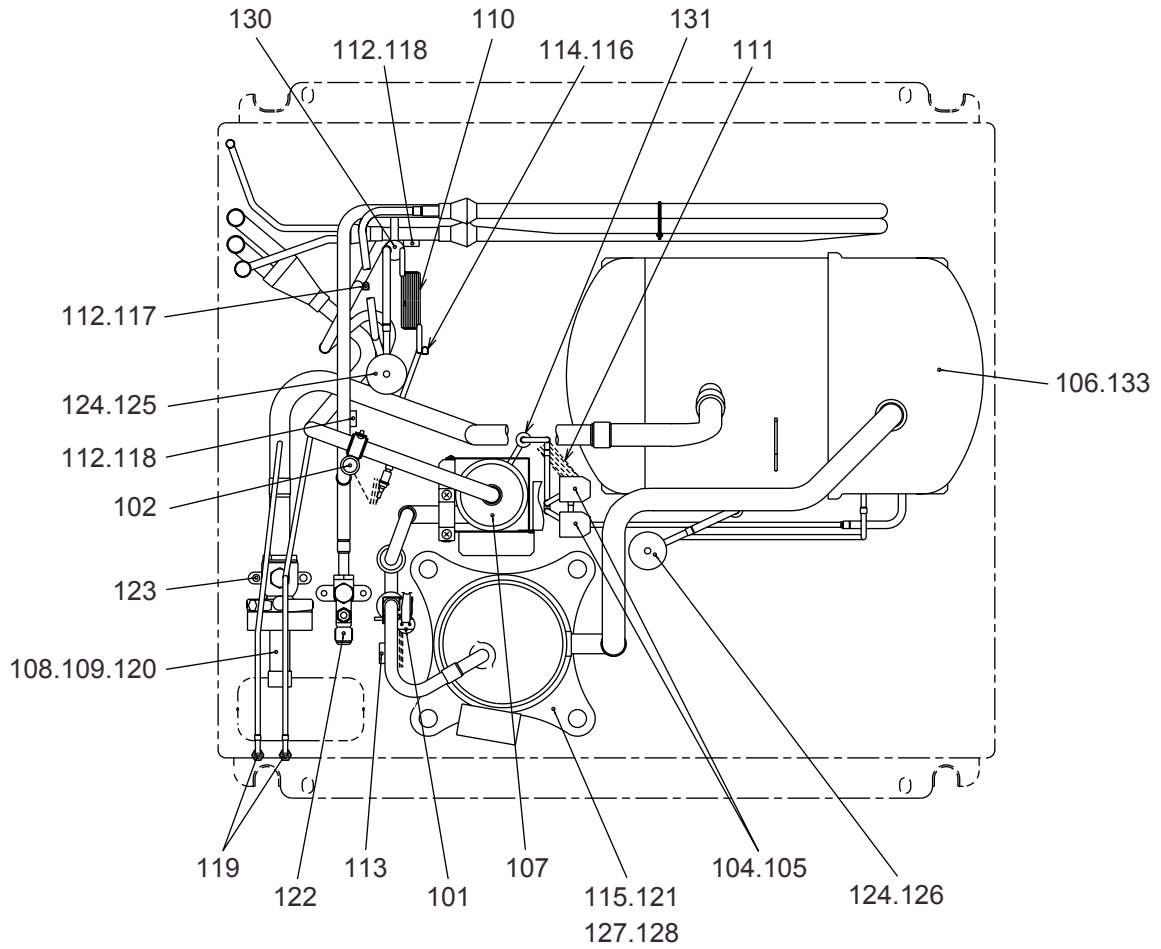
PU(H)Y-200YMF-C -BFA
 PU(H)Y-250YMF-C -BFA

EXTERNAL PARTS

No.	Part No.	G : RoHS Apply Only W : RoHS Apply by Running Change	Part Name	Spec.	-	-					Dwg. No.	Price	Revision History
1	R63 Y06 629	G	Partition board L ass'y		1	1					W639800G05		A
2	R61 Y09 629	W	Partition board L ass'y								W639800G06		A
3	R63 Y07 629	G	Partition board R ass'y		1	1					W639809G13		A
4	R61 Y10 629		Partition board R ass'y								W639809G14		A
5	R61 Y86 480		Heat exchanger B								W126050G04		
6	R61 Y05 481		Heat exchanger B								W126050G05		
7	R61 Y87 480		Heat exchanger B								W126026G29		A
8	R61 Y04 481		Heat exchanger B								W126026G32		A
9	R61 Y88 480		Heat exchanger F								W126049G04		
10	R61 Y06 481		Heat exchanger F								W126049G05		
11	R61 Y89 480		Heat exchanger F								W126025G21		A
12	R61 Y07 481		Heat exchanger F								W126025G22		A
13	R63 A42 638	G	Guard B ass'y		1	1					W265789G01		A
14	R63 E66 611	G	Guard F ass'y		1	1					W265788G01		A
15	R63 A52 118	G	Fan guard	With the Drum	1	1					W123195G01		A
16	R61 Y01 677	W	Panel B ass'y		1	1					W615886G16		A
17	R61 Y01 677	W	Panel B ass'y								W615886G16		A
18	R12 001 669	G	Panel FU		2	2					W633746G09		A
19	R12 002 669	G	Panel FU								W633746G10		A
20	R63 Y13 652	G	Panel F ass'y		1	1					W857425G50		A
21	R61 Y14 652	W	Panel F ass'y								W857425G51		A
22	R61 001 655	G	Panel S		2	2					W272421G04		A
23	R61 002 655	G	Panel S(BS)								W272421G05		A
24	R61 Y23 481		Heat exchanger B		1						W126050G06		
25	R63 Y19 481	G	Heat exchanger B			1					W126026G33		A
26	R61 Y25 481		Heat exchanger F		1						W126049G06		
27	R61 Y26 481		Heat exchanger F			1					W126025G23		A

PUY-200YMF-C(-BS,-BF,-BFA)
PUY-250YMF-C(-BS,-BF,-BFA)

FUNCTIONAL PARTS



PUY-200YMF-C (-BS,-BF)
 PUY-250YMF-C (-BS,-BF)

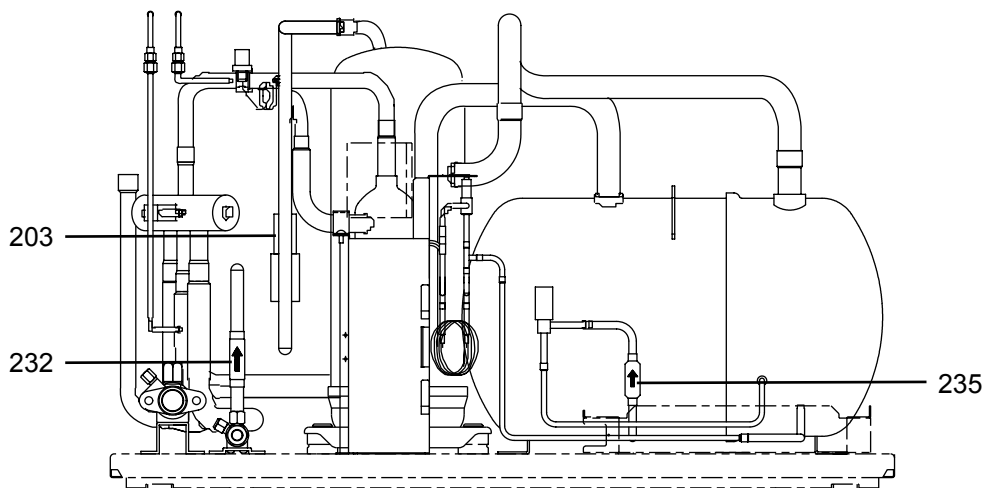
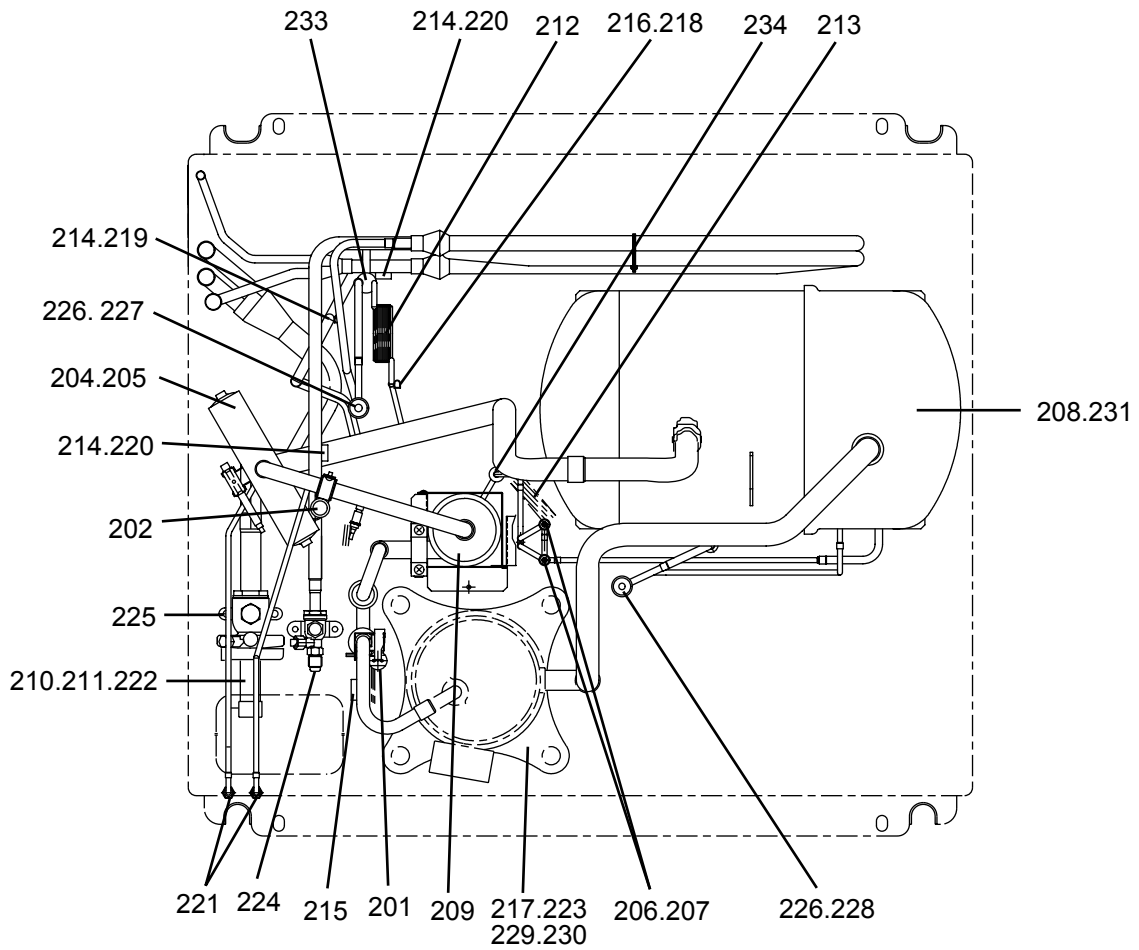
FUNCTIONAL PARTS

No.	Part No.	G : RoHS Apply Only W : RoHS Apply by Running Change		Spec.	-200YMF-C	-250YMF-C	-200YMF-C-BS	-250YMF-C-BS	-200YMF-C-BF	-250YMF-C-BF	Dwg. No.	Price	Revision History
		Part Name											
101	R63 Y06 208	G	Pressure switch	ACB-1TB 10W<63H>	1	1	1	1	1	1	P426258X02		A
102	R63 331 288	G	Pressure sensor	<63HS>	1	1	1	1	1	1	P419110X01		A
103	R63 F14 418	G	Check valve		1	1	1	1	1	1	P639130X01		A
104	R63 435 232	G	Solenoid valve	NEV-202DXF	2	2	2	2	2	2	P631807X02		A
105	R63 Y04 243	G	Solenoid valve coil	NEV,<SV1,2>	2	2	2	2	2	2	P631205X01		A
106	R63 Y31 484	G	Accumulator ass'y		1	1	1	1			W271964G02		A
107	R63 M23 487	G	Oil separator ass'y		1	1	1	1	1	1	W639808G03		A
108	R61 E90 494		Pipe ass'y		1		1		1		W619465G04		
109	R61 E91 494		Pipe ass'y			1		1		1	W619465G05		
110	R61 A45 428		Capillary tube processing	0.8X2.4-2000	1	1	1	1	1	1	W867824G01		
111	R63 Y07 425	G	Capillary tube ass'y	1.2X3-1000	1	1	1	1	1	1	W883531G01		A
112	R63 670 202	G	Thermistor	NTH3A14<TH5~8>	4	4	4	4	4	4	P425496X01		A
113	R63 671 202	G	Thermistor	<TH1>	1	1	1	1	1	1	P425439X01		A
114	R63 F14 200	G	Thermistor	<TH2>	1	1	1	1	1	1	P425565X01		A
115	R69 947 478	W	Scroll compressor	HHV92FAA-YB,<MC>	1	1	1	1	1	1	RF15144G08		
116	R63 A42 287	G	Sensor cover	EVA,6.35D	1	1	1	1	1	1	P227170X01		A
117	R61 A45 287	G	Sensor cover	EVA,12.7D	1	1	1	1	1	1	P227171X01		
118	R61 A43 287	G	Sensor cover	EVA,16D	2	2	2	2	2	2	P227172X01		
119	R63 800 413	G	Charging plug		2	2	2	2	2	2	BA50U666H04		A
120	R61 F14 514	G	Packing	T/# 1991-NF	1	1	1	1	1	1	P321009X01		
121	R61 Y08 262	G	Belt heater	240V 45W,<CH1>	1	1	1	1	1	1	P493642X02		
122	R61 694 410	W	Ball valve	1/2	1	1	1	1	1	1	P636175X01		
123	R61 Y07 410		Ball valve		1	1	1	1	1	1	P636271X01		
124	R63 G48 401	G	Linear expansion valve	DKV-18D124	2	2	2	2	2	2	P632342X01		A
125	R63 A45 401	G	Linear expansion valve coil	<LEV1>	1	1	1	1	1	1	P472017X01		A
126	R63 A45 402	G	Linear expansion valve coil	<SLEV>	1	1	1	1	1	1	P472016X01		A
127	R63 Y01 850	G	Insulator		1	1	1	1	1	1	W628447H02		A
128	R63 Y02 850	G	Insulator		1	1	1	1	1	1	W861746H02		A
129	R63 Y02 454	G	Strainer		1	1	1	1	1	1	W858399G02		A
130	R61 375 454	W	Strainer		1	1	1	1	1	1	W817243H06		
131	R63 155 454	G	Strainer	6.35D	1	1	1	1	1	1	W882822G01		A
132	R63 A42 454	G	Strainer	9.52D	1	1	1	1	1	1	W882823G01		A
133	R61 M02 484		Accumulator ass'y						1	1	W650658G02		

No.	Part No.	G : RoHS Apply Only W : RoHS Apply by Running Change		Spec.	-200YMF-C-BFA	-250YMF-C-BFA			Dwg. No.	Price	Revision History
			Part Name								
101	R63 Y06 208	G	Pressure switch	ACB-1TB 10W<63H>	1	1			P426258X02		A
102	R63 331 288	G	Pressure sensor	<63HS>	1	1			P419110X01		A
103	R63 F14 418	G	Check valve		1	1			P639130X01		A
104	R63 435 232	G	Solenoid valve	NEV-202DXF	2	2			P631807X02		A
105	R63 Y04 243	G	Solenoid valve coil	NEV,<SV1,2>	2	2			P631205X01		A
106	R63 Y31 484	G	Accumulator ass'y		1	1			W271964G02		A
107	R63 M23 487	G	Oil separator ass'y		1	1			W639808G03		A
108	R61 E90 494		Pipe ass'y		1				W619465G04		
109	R61 E91 494		Pipe ass'y			1			W619465G05		
110	R61 A45 428		Capillary tube processing	0.8X2.4-2000	1	1			W867824G01		
111	R63 Y07 425	G	Capillary tube ass'y	1.2X3-1000	1	1			W883531G01		A
112	R63 670 202	G	Thermistor	NTH3A14<TH5~8>	4	4			P425496X01		A
113	R63 671 202	G	Thermistor	<TH1>	1	1			P425439X01		A
114	R63 F14 200	G	Thermistor	<TH2>	1	1			P425565X01		A
115	R69 947 478	W	Scroll compressor	HHV92FAA-YB,<MC>	1	1			RF15144G08		
116	R63 A42 287	G	Sensor cover	EVA,6.35D	1	1			P227170X01		A
117	R61 A45 287	G	Sensor cover	EVA,12.7D	1	1			P227171X01		
118	R61 A43 287	G	Sensor cover	EVA,16D	2	2			P227172X01		
119	R63 800 413	G	Charging plug		2	2			BA50U666H04		A
120	R61 F14 514	G	Packing	T/# 1991-NF	1	1			P321009X01		
121	R61 Y08 262	G	Belt heater	240V 45W,<CH1>	1	1			P493642X02		
122	R61 694 410	W	Ball valve	1/2	1	1			P636175X01		
123	R61 Y07 410		Ball valve		1	1			P636271X01		
124	R63 G48 401	G	Linear expansion valve	DKV-18D124	2	2			P632342X01		A
125	R63 A45 401	G	Linear expansion valve coil	<LEV1>	1	1			P472017X01		A
126	R63 A45 402	G	Linear expansion valve coil	<SLEV>	1	1			P472016X01		A
127	R63 Y01 850	G	Insulator		1	1			W628447H02		A
128	R63 Y02 850	G	Insulator		1	1			W861746H02		A
129	R63 Y02 454	G	Strainer		1	1			W858399G02		A
130	R61 375 454	W	Strainer		1	1			W817243H06		
131	R63 155 454	G	Strainer	6.35D	1	1			W882822G01		A
132	R63 A42 454	G	Strainer	9.52D	1	1			W882823G01		A
133	R61 M02 484		Accumulator ass'y						W650658G02		

PUHY-200YMF-C(-BS,-BF,-BFA)
PUHY-250YMF-C(-BS,-BF,-BFA)

FUNCTIONAL PARTS



PUHY-200YMF-C (-BS,-BF)
PUHY-250YMF-C (-BS,-BF)

FUNCTIONAL PARTS

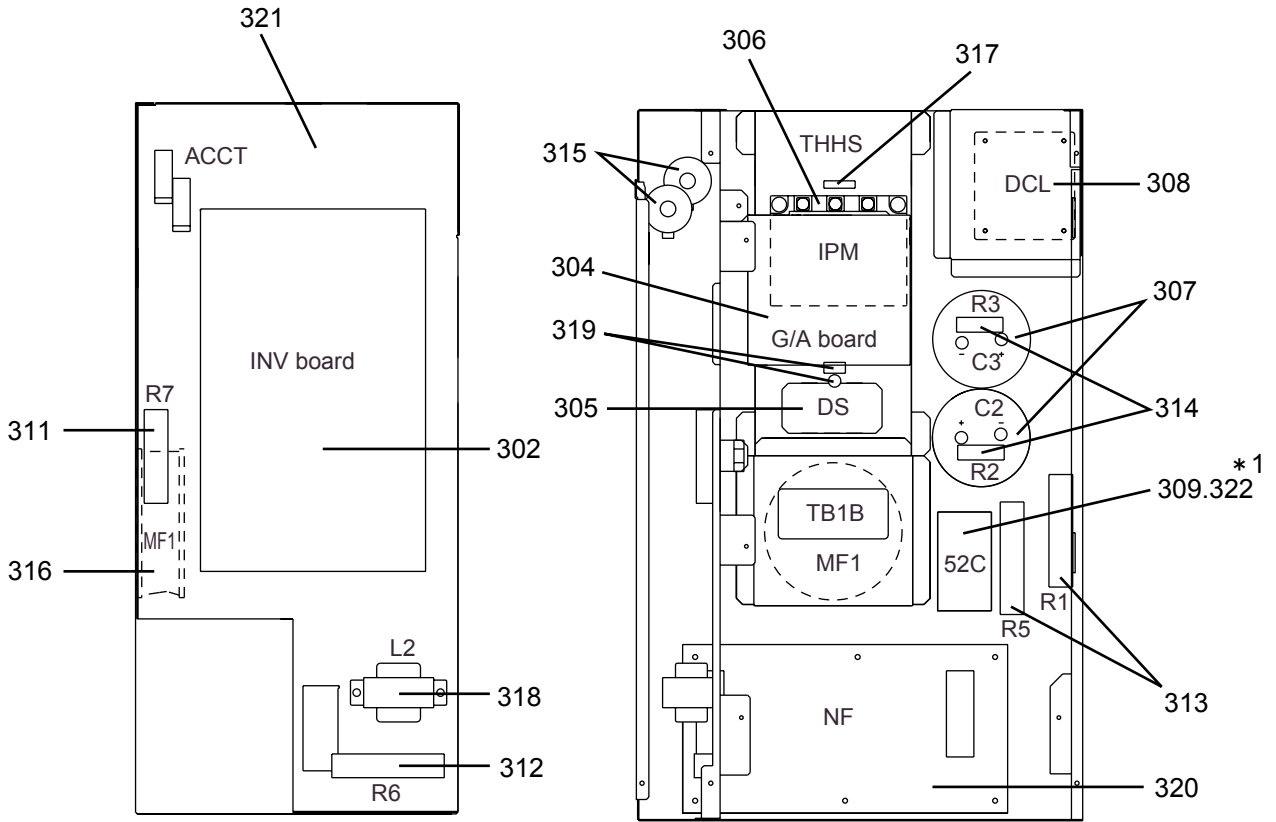
No.	Part No.	G : RoHS Apply Only W : RoHS Apply by Running Change		Spec.	-200YMF-C	-250YMF-C	-200YMF-C-BS	-250YMF-C-BS	-200YMF-C-BF	-250YMF-C-BF	Dwg. No.	Price	Revision History
			Part Name										
201	R63 Y06 208	G	Pressure switch	ABC-1TB 140W<63H>	1	1	1	1	1	1	P426258X02		A
202	R63 331 288	G	Pressure sensor	<63HS>	1	1	1	1	1	1	P419110X01		A
203	R63 F14 418	G	Check valve		1	1	1	1	1	1	P639130X01		A
204	R63 006 403	G	Four way valve		1	1	1	1	1	1	KB00F029G03		A
205	R63 002 242	G	Four way valve coil		1	1	1	1	1	1	W875295G05		A
206	R63 435 232	G	Solenoid valve	NEV-202DXF	2	2	2	2	2	2	P631807X02		A
207	R63 Y04 243	G	Solenoid valve coil	NEV,<SV1,2>	2	2	2	2	2	2	P631205X01		A
208	R63 Y31 484	G	Accumulator ass'y		1	1	1	1			W271964G02		A
209	R63 M23 487	G	Oil separator ass'y		1	1	1	1	1	1	W639808G03		A
210	R61 E90 494		Pipe ass'y		1		1		1		W619465G04		
211	R61 E91 494		Pipe ass'y			1		1		1	W619465G05		
212	R61 A45 428		Capillary tube processing	0.8X2.4-2000	1	1	1	1	1	1	W867824G01		
213	R63 Y07 425	G	Capillary tube ass'y	1.2X3-1000	1	1	1	1	1	1	W883531G01		A
214	R63 670 202	G	Thermistor	NTH3A14<TH5~8>	4	4	4	4	4	4	P425496X01		A
215	R63 671 202	G	Thermistor	<TH1>	1	1	1	1	1	1	P425439X01		A
216	R63 F14 200	G	Thermistor	<TH2>	1	1	1	1	1	1	P425565X01		A
217	R69 947 478	W	Scroll compressor	HHV92FAA-YB,<MC>	1	1	1	1	1	1	RF15144G08		
218	R63 A42 287	G	Sensor cover	EVA,6.35D	1	1	1	1	1	1	P227170X01		A
219	R61 A45 287	G	Sensor cover	EVA,12.7D	1	1	1	1	1	1	P227171X01		
220	R61 A43 287	G	Sensor cover	EVA,16D	2	2	2	2	2	2	P227172X01		
221	R63 800 413	G	Charging plug		2	2	2	2	2	2	BA50U666H04		A
222	R61 F14 514	G	Packing	T/# 1991-NF	1	1	1	1	1	1	P321009X01		
223	R61 Y08 262	G	Belt heater	240V 45W,<CH1>	1	1	1	1	1	1	P493642X02		
224	R61 694 410	W	Ball valve	1/2	1	1	1	1	1	1	P636175X01		
225	R61 Y07 410		Ball valve		1	1	1	1	1	1	P636271X01		
226	R63 G48 401	G	Linear expansion valve	DKV-18D124	2	2	2	2	2	2	P632342X01		A
227	R63 A45 401	G	Linear expansion valve coil	<LEV1>	1	1	1	1	1	1	P472017X01		A
228	R63 A45 402	G	Linear expansion valve coil	<SLEV>	1	1	1	1	1	1	P472016X01		A
229	R63 Y01 850	G	Insulator		1	1	1	1	1	1	W628447H02		A
230	R63 Y02 850	G	Insulator		1	1	1	1	1	1	W861746H02		A
231	R61 M02 484		Accumulator ass'y						1	1	W650658G02		
232	R63 Y02 454	G	Strainer		1	1	1	1	1	1	W858399G02		A
233	R61 375 454	W	Strainer		1	1	1	1	1	1	W817243H06		
234	R63 155 454	G	Strainer	6.35D	1	1	1	1	1	1	W882822G01		A
235	R63 A42 454	G	Strainer	9.52D	1	1	1	1	1	1	W882823G01		A

PUHY-200YMF-C -BFA
 PUHY-250YMF-C -BFA

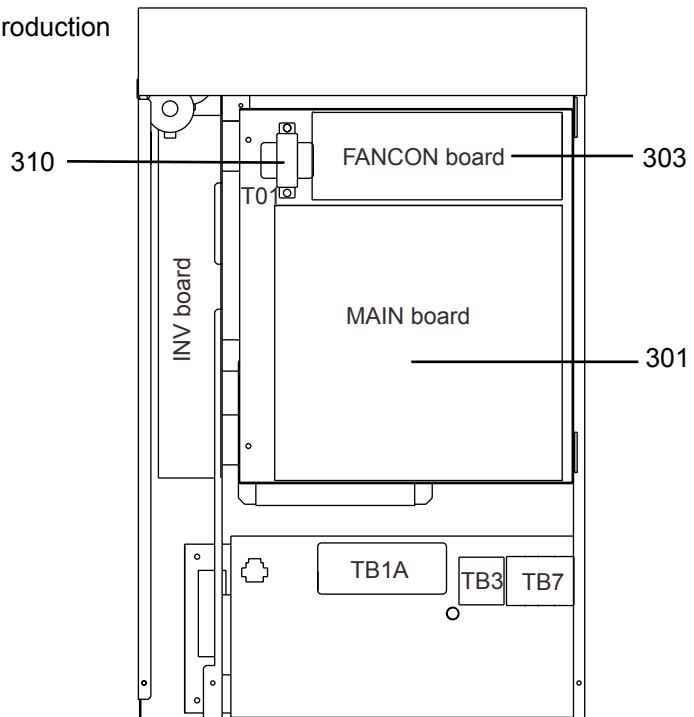
FUNCTIONAL PARTS

No.	Part No.	G : RoHS Apply Only W : RoHS Apply by Running Change		Spec.	-200YMF-C-BFA	-250YMF-C-BFA					Dwg. No.	Price	Revision History
			Part Name										
201	R63 Y06 208	G	Pressure switch	ABC-1TB 140W<63H>	1	1					P426258X02		A
202	R63 331 288	G	Pressure sensor	<63HS>	1	1					P419110X01		A
203	R63 F14 418	G	Check valve		1	1					P639130X01		A
204	R63 006 403	G	Four way valve		1	1					KB00F029G03		A
205	R63 002 242	G	Four way valve coil		1	1					W875295G05		A
206	R63 435 232	G	Solenoid valve	NEV-202DXF	2	2					P631807X02		A
207	R63 Y04 243	G	Solenoid valve coil	NEV,<SV1,2>	2	2					P631205X01		A
208	R63 Y31 484	G	Accumulator ass'y		1	1					W271964G02		A
209	R63 M23 487	G	Oil separator ass'y		1	1					W639808G03		A
210	R61 E90 494		Pipe ass'y		1						W619465G04		
211	R61 E91 494		Pipe ass'y			1					W619465G05		
212	R61 A45 428		Capillary tube processing	0.8X2.4-2000	1	1					W867824G01		
213	R63 Y07 425	G	Capillary tube ass'y	1.2X3-1000	1	1					W883531G01		A
214	R63 670 202	G	Thermistor	NTH3A14<TH5~8>	4	4					P425496X01		A
215	R63 671 202	G	Thermistor	<TH1>	1	1					P425439X01		A
216	R63 F14 200	G	Thermistor	<TH2>	1	1					P425565X01		A
217	R69 947 478	W	Scroll compressor	HHV92FAA-YB,<MC>	1	1					RF15144G08		
218	R63 A42 287	G	Sensor cover	EVA,6.35D	1	1					P227170X01		A
219	R61 A45 287	G	Sensor cover	EVA,12.7D	1	1					P227171X01		
220	R61 A43 287	G	Sensor cover	EVA,16D	2	2					P227172X01		
221	R63 800 413	G	Charging plug		2	2					BA50U666H04		A
222	R61 F14 514	G	Packing	T/# 1991-NF	1	1					P321009X01		
223	R61 Y08 262	G	Belt heater	240V 45W,<CH1>	1	1					P493642X02		
224	R61 694 410	W	Ball valve	1/2	1	1					P636175X01		
225	R61 Y07 410		Ball valve		1	1					P636271X01		
226	R63 G48 401	G	Linear expansion valve	DKV-18D124	2	2					P632342X01		A
227	R63 A45 401	G	Linear expansion valve coil	<LEV1>	1	1					P472017X01		A
228	R63 A45 402	G	Linear expansion valve coil	<SLEV>	1	1					P472016X01		A
229	R63 Y01 850	G	Insulator		1	1					W628447H02		A
230	R63 Y02 850	G	Insulator		1	1					W861746H02		A
231	R61 M02 484		Accumulator ass'y								W650658G02		
232	R63 Y02 454	G	Strainer		1	1					W858399G02		A
233	R61 375 454	W	Strainer		1	1					W817243H06		
234	R63 155 454	G	Strainer	6.35D	1	1					W882822G01		A
235	R63 A42 454	G	Strainer	9.52D	1	1					W882823G01		A

PU(H)Y-200YMF-C(-BS,-BF,-BFA) CONTROL BOX PARTS
 PU(H)Y-250YMF-C(-BS,-BF,-BFA)



* 1: Specifications differ depending on the production time of Control box.



PU(H)Y-200YMF-C (-BS,-BF)
 PU(H)Y-250YMF-C (-BS,-BF)

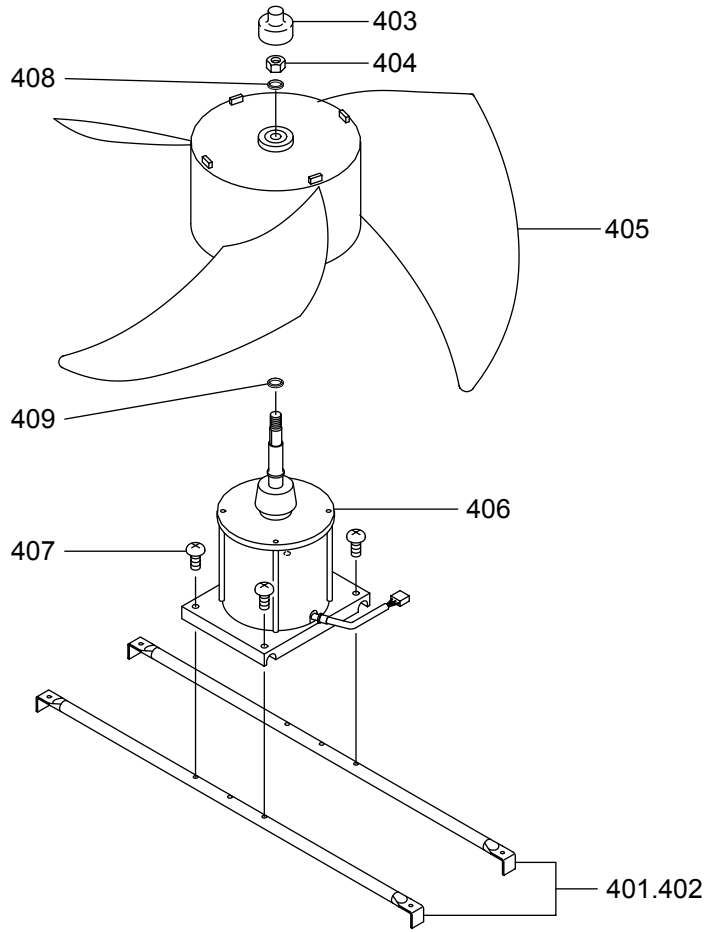
CONTROL BOX PARTS

No.	Part No.	G : RoHS Apply Only W : RoHS Apply by Running Change		Spec.	-200YMF-C	-250YMF-C	-200YMF-C-BS	-250YMF-C-BS	-200YMF-C-BF	-250YMF-C-BF	Dwg. No.	Price	Revision History
		Part Name											
301	R61 Y81 280		Main board		1	1	1	1	1	1	W266235G13		
302	R63 Y67 280	G	INV board		1	1	1	1	1	1	W639915G01		A
303	R63 Y65 280	G	Fan controller board		1	1	1	1	1	1	W639913G01		A
304	R63 Y66 280	G	G/A board		1	1	1	1	1	1	W639914G01		A
305	R63 Y12 320	G	Diode	DF60LB160	1	1	1	1	1	1	W876941G06		A
306	R63 Y04 249	G	IPM		1	1	1	1	1	1	W848413G10		A
307	R63 Y18 252	G	Capacitor	400WV,4700μF<C2,3>	2	2	2	2	2	2	P412265X01		A
308	R63 Y01 259	G	Reactor	1.92mH/34A<DCL>	1	1	1	1	1	1	P419149X01		A
309	R61 Y19 225		Magnet contactor	S-N18,AC230V<52C>	1	1	1	1	1	1	S427017H31		
310	R63 Y14 260	G	Transformer	240V/40V<T1>	1	1	1	1	1	1	P715302X01		A
311	R63 670 234	G	Resistor	30W,22Ω<R7>	1	1	1	1	1	1	P411113X01		A
312	R63 A42 234	G	Resistor		1	1	1	1	1	1	W237975K23		A
313	R63 Y05 234	G	Resistor	40W,50kΩ<R1,5>	2	2	2	2	2	2	P411133X01		A
314	R63 Y02 234	G	Resistor	10W,33kΩ,pitch=32<R2,3>	2	2	2	2	2	2	P411126X01		A
315	R63 Y02 249	G	ACCT	DJ-6	1	1	1	1	1	1	W639917G01		A
316	R63 Y15 118	G	Fan	109S25UL	1	1	1	1	1	1	W639916G01		A
317	R63 375 201	G	Thermistor	181-503-97134	1	1	1	1	1	1	P414092X01		A
318	R63 002 923	G	Choke coil		1	1	1	1	1	1	P715421X01		A
319	R63 L85 252	G	Capacitor ass'y		1	1	1	1	1	1	W886345G01		A
320	R63 Y08 293	G	Noise filter VF4030C-MX2		1	1	1	1	1	1	P419147X01		A
321	R61 Y18 281		Control box		1	1	1	1	1	1	W266294G05		
322	R63 Y28 225	G	Magnetic contactor	PAK-21J	1	1	1	1	1	1	S427020H12		A

No.	Part No.	G : RoHS Apply Only W : RoHS Apply by Running Change		Spec.	-200YMF-C-BFA	-250YMF-C-BFA				Dwg. No.	Price	Revision History
			Part Name									
301	R61 Y81 280		Main board		1	1				W266235G13		
302	R63 Y67 280	G	INV board		1	1				W639915G01		A
303	R63 Y65 280	G	Fan controller board		1	1				W639913G01		A
304	R63 Y66 280	G	G/A board		1	1				W639914G01		A
305	R63 Y12 320	G	Diode	DF60LB160	1	1				W876941G06		A
306	R63 Y04 249	G	IPM		1	1				W848413G10		A
307	R63 Y18 252	G	Capacitor	400WV,4700μF<C2,3>	2	2				P412265X01		A
308	R63 Y01 259	G	Reactor	1.92mH/34A<DCL>	1	1				P419149X01		A
309	R61 Y19 225		Magnet contactor	S-N18,AC230V<52C>	1	1				S427017H31		
310	R63 Y14 260	G	Transformer	240V/40V<T1>	1	1				P715302X01		A
311	R63 670 234	G	Resistor	30W,22Ω<R7>	1	1				P411113X01		A
312	R63 A42 234	G	Resistor		1	1				W237975K23		A
313	R63 Y05 234	G	Resistor	40W,50kΩ<R1,5>	2	2				P411133X01		A
314	R63 Y02 234	G	Resistor	10W,33kΩ,pitch=32<R2,3>	2	2				P411126X01		A
315	R63 Y02 249	G	ACCT	DJ-6	1	1				W639917G01		A
316	R63 Y15 118	G	Fan	109S25UL	1	1				W639916G01		A
317	R63 375 201	G	Thermistor	181-503-97134	1	1				P414092X01		A
318	R63 002 923	G	Choke coil		1	1				P715421X01		A
319	R63 L85 252	G	Capacitor ass'y		1	1				W886345G01		A
320	R63 Y08 293	G	Noise filter VF4030C-MX2		1	1				P419147X01		A
321	R61 Y18 281		Control box		1	1				W266294G05		
322	R63 Y28 225	G	Magnetic contactor	PAK-21J	1	1				S427020H12		A

PU(H)Y-200YMF-C(-BS,-BF)
 PU(H)Y-250YMF-C(-BS,-BF)

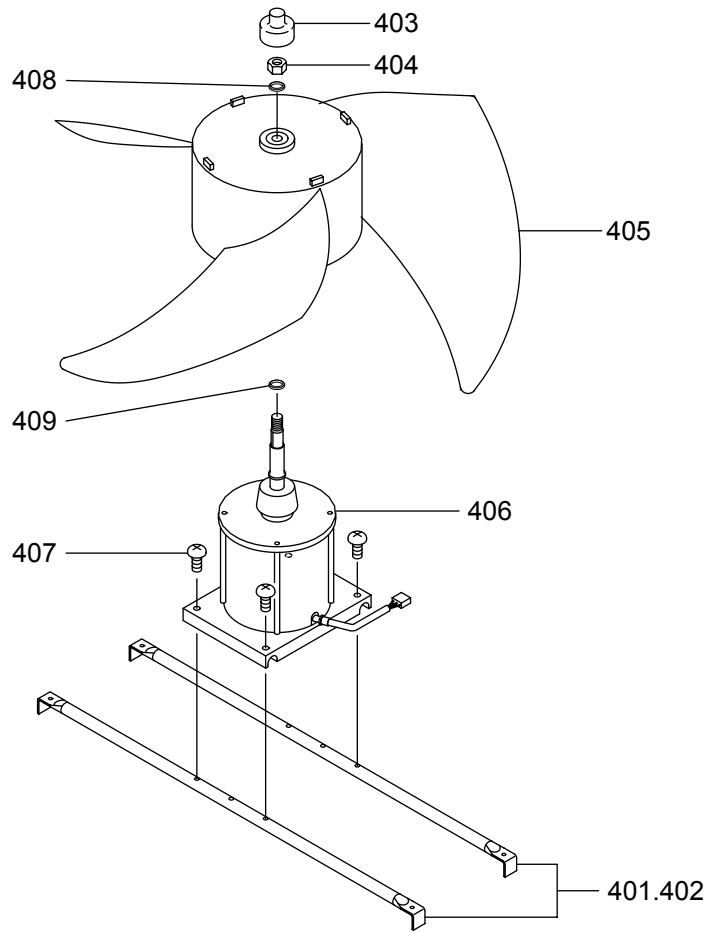
BLOWER PARTS



No.	Part No.	G : RoHS Apply Only W : RoHS Apply by Running Change		Spec.						Dwg. No.	Price	Revision History
			Part Name									
401	R63 A42 140	G	Fan stand		2	2				W856127G05		A
402	R63 A43 140	G	Fan stand				2	2		W856127G06		A
403	R61 A69 086	G	Cap		1	1	1	1	1	P221056X01		
404	R63 A42 122	G	Nut 16		1	1	1	1	1	P541016X01		A
405	R63 E66 115	G	Propeller fan	750D	1	1	1	1	1	W872619G01		A
406	R63 Y33 221	G	Motor	YD380VB<MF>	1	1	1	1	1	P714762X01		A
407	R63 E90 087	G	Screw	6X14	4	4	4	4	4	P521020X01		A
408	R61 A42 136	W	Washer	17X32	1	1	1	1	1	P562006X01		
409	R61 A45 136	W	Washer	20.5X40	1	1	1	1	1	P562007X01		

PU(H)Y-200YMF-C-BFA
 PU(H)Y-250YMF-C-BFA

BLOWER PARTS



No.	Part No.	G : RoHS Apply Only W : RoHS Apply by Running Change		Spec.	-200YMF-C-BFA	-250YMF-C-BFA				Dwg. No.	Price	Revision History
			Part Name									
401	R63 A42 140	G	Fan stand		2	2				W856127G05		A
402	R63 A43 140	G	Fan stand							W856127G06		A
403	R61 A69 086	G	Cap		1	1				P221056X01		
404	R63 A42 122	G	Nut 16		1	1				P541016X01		A
405	R63 E66 115	G	Propeller fan	750D	1	1				W872619G01		A
406	R63 Y33 221	G	Motor	YD380VB<MF>	1	1				P714762X01		A
407	R63 E90 087	G	Screw	6X14	4	4				P521020X01		A
408	R61 A42 136	W	Washer	17X32	1	1				P562006X01		
409	R61 A45 136	W	Washer	20.5X40	1	1				P562007X01		

