

SERVICE PARTS LIST FOR MITSUBISHI ELECTRIC PACKAGED AIR-CONDITIONERS

Series : PUHY-YMF-C(-BS,-BF,-BFA)

REVISED

Apr. 2009

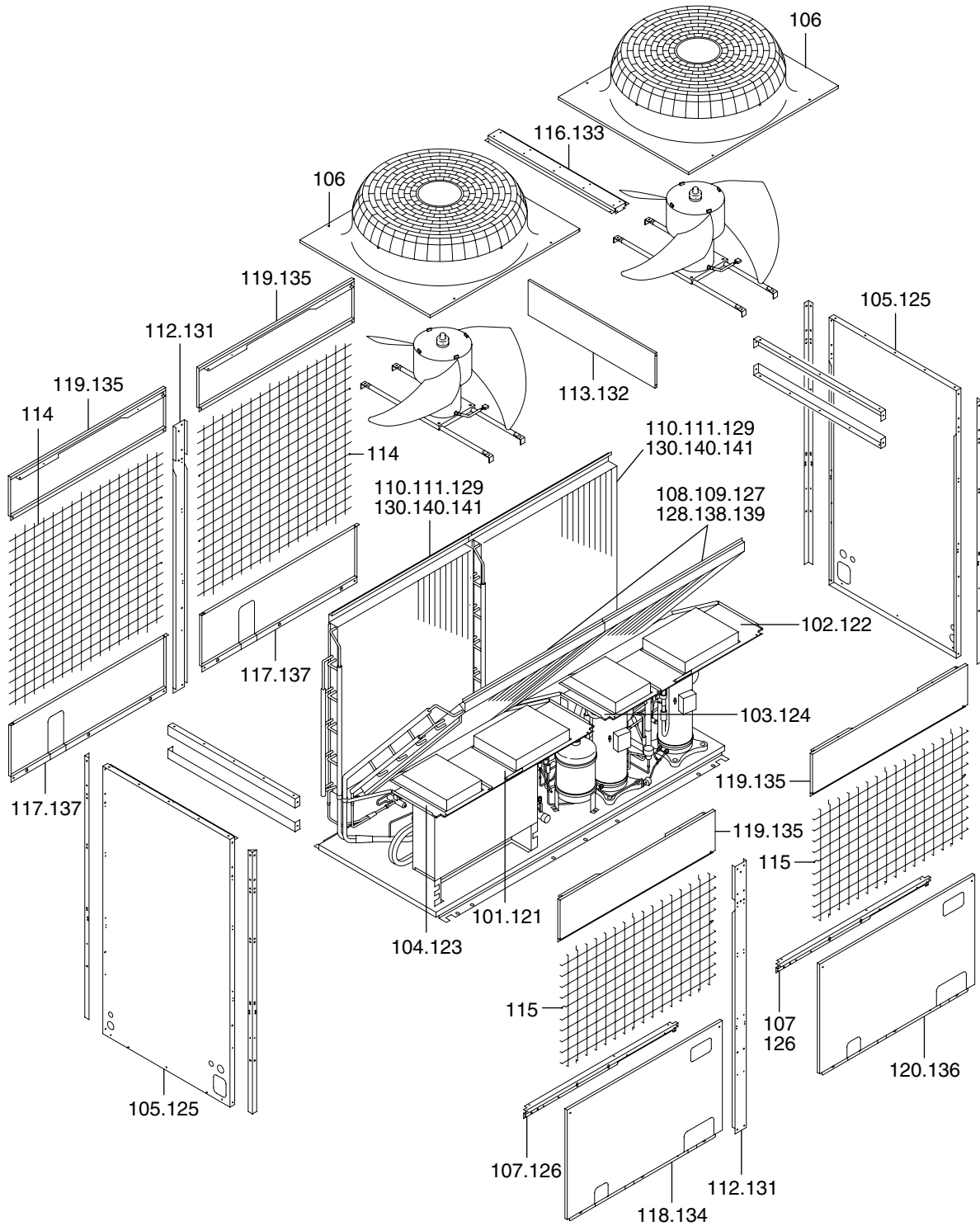
BWE0307A

INDEX
PUHY-400YMF-C
PUHY-500YMF-C
PUHY-400YMF-C-BS
PUHY-500YMF-C-BS
PUHY-400YMF-C-BF
PUHY-500YMF-C-BF
PUHY-400YMF-C-BFA
PUHY-500YMF-C-BFA



PUHY-400YMF-C(-BS,-BF,-BFA)
PUHY-500YMF-C(-BS,-BF,-BFA)

EXTERNAL PARTS



PUHY-400YMF-C(-BS,-BF)
 PUHY-500YMF-C(-BS,-BF)

EXTERNAL PARTS

No.	Part No.	G : RoHS Apply Only W : RoHS Apply by Running Change		Spec.	PUHY-400YMF-C	PUHY-500YMF-C	PUHY-400YMF-C-BS	PUHY-500YMF-C-BS	PUHY-400YMF-C-BF	PUHY-500YMF-C-BF	Dwg. No.	Price	Revision History
			Part Name										
101	R61 E66 667	W	Partition board R ass'y	(L)	1	1			1	1	W624525G15		
102	R61 E66 668	W	Partition board R ass'y	(R)	1	1			1	1	W624525G20		A
103	R61 E66 657	W	Partition board L ass'y	(R)	1	1			1	1	W624526G26		A
104	R61 E66 658	W	Partition board L ass'y	(L)	1	1			1	1	W624526G20		
105	R61 001 655	G	Panel S		2	2			2	2	W272421G04		A
106	R63 A52 118	G	Fan guard	With the Drum	2	2	2	2	2	2	W123195G01		A
107	R63 A42 659	G	Front panel		2	2			2	2	W615888H18		A
108	R61 Y85 480	W	Heat exchanger ass'y F	400YMF-B(C)	2						W265757G22		
109	R61 Y50 480	W	Heat exchanger ass'y F	500YMF-B(C)		2					W265759G31		
110	R61 Y47 480	W	Heat exchanger ass'y B	400YMF-B(C)	2						W265760G20		
111	R61 Y48 480	W	Heat exchanger ass'y B	500YMF-B(C)		2					W265761G30		
112	R61 E66 627	W	Stay M		2	2			2	2	W623717G07		
113	R63 E66 674	G	Reinforcement M		1	1			1	1	W861182H01		A
114	R63 A42 638	G	Guard B ass'y		2	2	2	2	2	2	W265789G01		A
115	R63 E66 611	G	Guard F ass'y		2	2	2	2	2	2	W265788G01		A
116	R63 E66 125	G	Beam M		1	1			1	1	W623718G01		A
117	R63 M43 677	G	Panel B ass'y		2	2			2	2	W857426G31		A
118	R63 Y15 652	G	Panel F		1	1			1	1	W623719G15		A
119	R12 001 669	G	Panel FU		4	4			4	4	W633746G09		A
120	R61 M54 652	W	Panel F ass'y		1	1			1	1	W862323G12		A
121	R61 E67 667	W	Partition board R ass'y	(L)			1	1			W624525G11		
122	R61 E67 668	G	Partition board R ass'y	(R)			1	1			W624525G19		A
123	R61 E67 658	W	Partition board L ass'y	(L)			1	1			W624526G14		
124	R61 E67 657	W	Partition board L ass'y	(R)			1	1			W624526G25		A
125	R61 002 655	G	Panel S				2	2			W272421G05		A
126	R63 A43 659	G	Front panel				2	2			W615888G09		A
127	R61 G48 481	W	Heat exchanger ass'y F	400YMF-B(C)-BS			2				W265757G26		
128	R61 G50 481	W	Heat exchanger ass'y F	500YMF-B(C)-BS				2			W265759G37		
129	R61 G48 480	W	Heat exchanger ass'y B	400YMF-B(C)-BS			2				W265760G23		
130	R61 G50 480	W	Heat exchanger ass'y B	500YMF-B(C)-BS				2			W265761G35		
131	R61 E67 627	W	Stay M				2	2			W623717G08		
132	R61 E68 674	W	Reinforcement M				1	1			W861182G02		
133	R63 E67 125	G	Beam M				1	1			W623718G03		A
134	R61 Y19 652	W	Panel F				1	1			W623719G16		A
135	R12 002 669	G	Panel FU				4	4			W633746G10		A
136	R61 M55 652	W	Panel F ass'y				1	1			W862323G13		A
137	R61 M44 677	W	Panel B ass'y				2	2			W857426G32		A
138	R61 Y75 480	W	Heat exchanger ass'y F	400YMF-C-BF(A)					2		W265757G27		
139	R61 Y76 480	W	Heat exchanger ass'y F	500YMF-C-BF(A)						2	W265759G38		
140	R61 Y77 480	W	Heat exchanger ass'y B	400YMF-C-BF(A)					2		W265760G24		
141	R61 Y78 480	W	Heat exchanger ass'y B	500YMF-C-BF(A)						2	W265761G36		

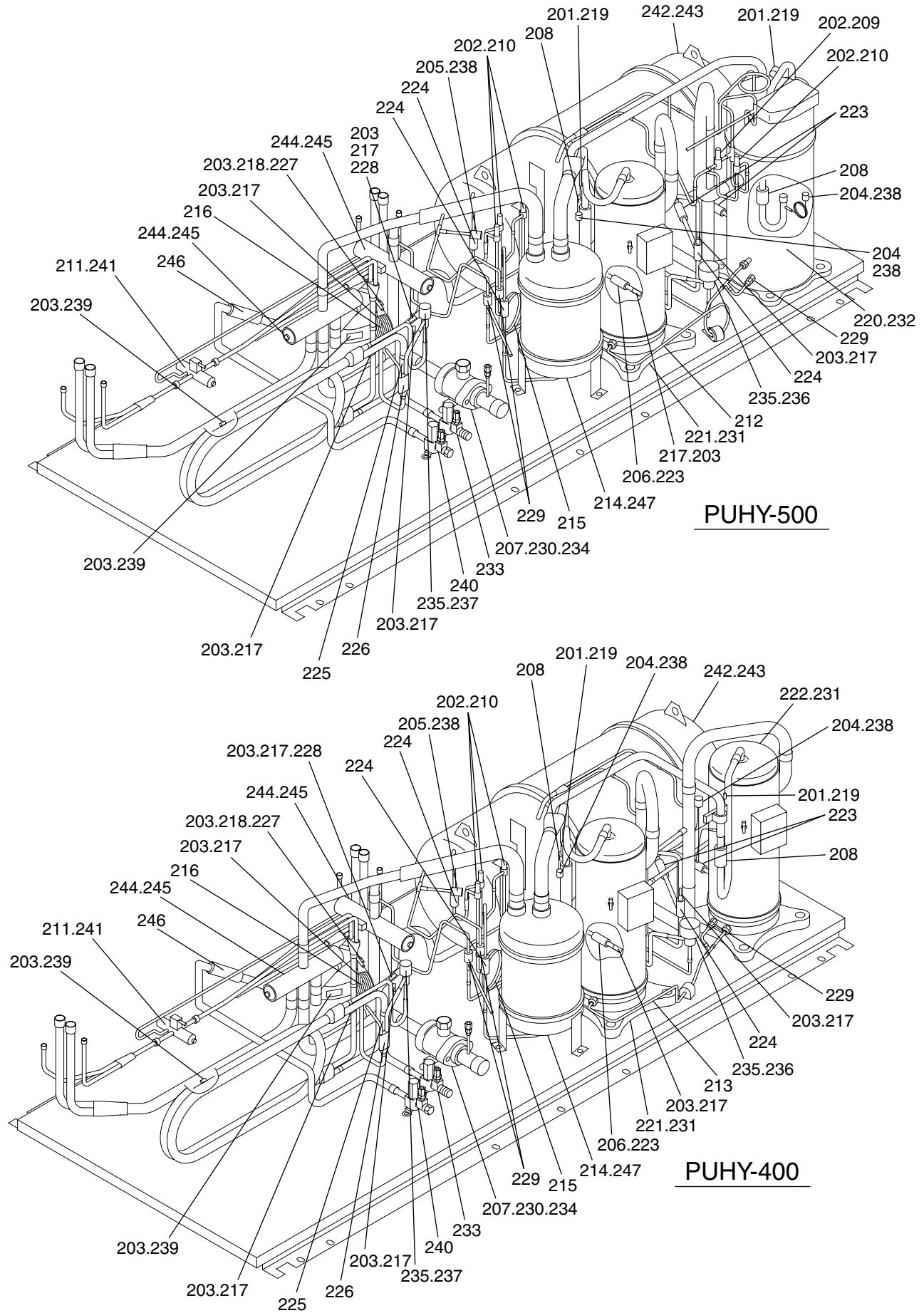
PUHY-400YMF-C-BFA
 PUHY-500YMF-C-BFA

EXTERNAL PARTS

No.	Part No.	G : RoHS Apply Only W : RoHS Apply by Running Change		Spec.	PUHY-400YMF-C-BFA	PUHY-500YMF-C-BFA				Dwg. No.	Price	Revision History
			Part Name									
101	R61 E66 667	W	Partition board R ass'y	(L)	1	1				W624525G15		
102	R61 E66 668	W	Partition board R ass'y	(R)	1	1				W624525G20		A
103	R61 E66 657	W	Partition board L ass'y	(R)	1	1				W624526G26		A
104	R61 E66 658	W	Partition board L ass'y	(L)	1	1				W624526G20		
105	R61 001 655	G	Panel S		2	2				W272421G04		A
106	R63 A52 118	G	Fan guard	With the Drum	2	2				W123195G01		A
107	R63 A42 659	G	Front panel		2	2				W615888H18		A
108	R61 Y85 480	W	Heat exchanger ass'y F	400YMF-B(C)						W265757G22		
109	R61 Y50 480	W	Heat exchanger ass'y F	500YMF-B(C)						W265759G31		
110	R61 Y47 480	W	Heat exchanger ass'y B	400YMF-B(C)						W265760G20		
111	R61 Y48 480	W	Heat exchanger ass'y B	500YMF-B(C)						W265761G30		
112	R61 E66 627	W	Stay M		2	2				W623717G07		
113	R63 E66 674	G	Reinforcement M		1	1				W861182H01		A
114	R63 A42 638	G	Guard B ass'y		2	2				W265789G01		A
115	R63 E66 611	G	Guard F ass'y		2	2				W265788G01		A
116	R63 E66 125	G	Beam M		1	1				W623718G01		A
117	R63 M43 677	G	Panel B ass'y		2	2				W857426G31		A
118	R63 Y15 652	G	Panel F		1	1				W623719G15		A
119	R12 001 669	G	Panel FU		4	4				W633746G09		A
120	R61 M54 652	W	Panel F ass'y		1	1				W862323G12		A
121	R61 E67 667	W	Partition board R ass'y	(L)						W624525G11		
122	R61 E67 668	G	Partition board R ass'y	(R)						W624525G19		A
123	R61 E67 658	W	Partition board L ass'y	(L)						W624526G14		
124	R61 E67 657	W	Partition board L ass'y	(R)						W624526G25		A
125	R61 002 655	G	Panel S							W272421G05		A
126	R63 A43 659	G	Front panel							W615888G09		A
127	R61 G48 481	W	Heat exchanger ass'y F	400YMF-B(C)-BS						W265757G26		
128	R61 G50 481	W	Heat exchanger ass'y F	500YMF-B(C)-BS						W265759G37		
129	R61 G48 480	W	Heat exchanger ass'y B	400YMF-B(C)-BS						W265760G23		
130	R61 G50 480	W	Heat exchanger ass'y B	500YMF-B(C)-BS						W265761G35		
131	R61 E67 627	W	Stay M							W623717G08		
132	R61 E68 674	W	Reinforcement M							W861182G02		
133	R63 E67 125	G	Beam M							W623718G03		A
134	R61 Y19 652	W	Panel F							W623719G16		A
135	R12 002 669	G	Panel FU							W633746G10		A
136	R61 M55 652	W	Panel F ass'y							W862323G13		A
137	R61 M44 677	W	Panel B ass'y							W857426G32		A
138	R61 Y75 480	W	Heat exchanger ass'y F	400YMF-C-BF(A)	2					W265757G27		
139	R61 Y76 480	W	Heat exchanger ass'y F	500YMF-C-BF(A)		2				W265759G38		
140	R61 Y77 480	W	Heat exchanger ass'y B	400YMF-C-BF(A)	2					W265760G24		
141	R61 Y78 480	W	Heat exchanger ass'y B	500YMF-C-BF(A)		2				W265761G36		

PUHY-400YMF-C(-BS,-BF,-BFA)
 PUHY-500YMF-C(-BS,-BF,-BFA)

FUNCTIONAL PARTS



PUHY-400YMF-C(-BS,-BF,-BFA)
 PUHY-500YMF-C(-BS,-BF,-BFA)

FUNCTIONAL PARTS

No.	Part No.	G : RoHS Apply Only W : RoHS Apply by Running Change		Spec.	PUHY-400YMF-C	PUHY-500YMF-C	PUHY-400YMF-C-BS	PUHY-500YMF-C-BS	PUHY-400YMF-C-BF	PUHY-500YMF-C-BF	Dwg. No.	Price	Revision History
			Part Name										
201	R63 347 865	G	L.TH spring		2	2	2	2	2	2	DU38D120H03		A
202	R63 Y04 243	G	Solenoid valve coil	NEV 400<SV1,4,6> 500<SV1,2,3,4,6>	3	5	3	5	3	5	P631205X01		A
203	R63 658 276	G	TH spring		9	9	9	9	9	9	BC38D815H01		A
204	R61 Y08 208	W	Pressure switch ass'y	<63H1,2>	2	2	2	2	2	2	W872429G02		
205	R63 331 288	G	Pressure sensor	<63HS>	1	1	1	1	1	1	P419110X01		A
206	R63 Y04 237	G	Liquid level detecting heater ass'y	<CH2,3>	1	1	1	1	1	1	W872422G01		A
207	R61 Y03 494	W	Pipe ass'y		1	1	1	1	1	1	W883580G05		
208	R61 436 418	W	Check valve		2	2	2	2	2	2	P639808X01		
209	R63 670 232	G	Solenoid valve	NEV-L202DXF<SV2>		1		1		1	P631148X01		A
210	R63 435 232	G	Solenoid valve	NEV-202DXF 400<SV1,4,6> 500<SV1,3,4,6>	3	4	3	4	3	4	P631807X02		A
211	R61 E66 421	W	Two way valve	VR40101	1	1	1	1	1	1	P631214X02		
212	R61 G78 485	W	Equalizer ass'y			1		1		1	W633751G03		A
213	R61 G74 485	W	Equalizer ass'y		1		1		1		W633750G03		A
214	R61 Y03 487		Oil separator		1	1	1	1			W266568G02		
215	R61 F62 425	W	Capillary tube ass'y	<1.6X3.2-700>	1	1	1	1	1	1	W861175G02		
216	R61 E66 426	W	Capillary tube ass'y	<0.8X2.4-2000>	1	1	1	1	1	1	W861128G02		
217	R63 670 202	G	Thermistor	NTH3A14<TH3~9>	7	7	7	7	7	7	P425496X01		A
218	R63 F14 200	G	Thermistor	<TH2>	1	1	1	1	1	1	P425565X01		A
219	R63 911 202	G	Thermistor	<TH11,12>	2	2	2	2	2	2	P425416X02		A
220	R69 950 478		Scroll compressor	ZHC165YDA-J<MC2>		1		1		1	EP10028G04		
221	R69 951 478	W	Scroll compressor	HHV92FAA-YJ<MC1>	1	1	1	1	1	1	RF15144G07		
222	R69 946 478	W	Scroll compressor	HH101YAA-J<MC2>	1		1		1		EP10004G02		
223	R63 A42 454	G	Strainer		3	3	3	3	3	3	W882823G01		A
224	R63 155 454	G	Strainer		3	3	3	3	3	3	W882822G01		A
225	R63 Y02 454	G	Strainer		1	1	1	1	1	1	W858399G02		A
226	R61 375 454	W	Strainer		1	1	1	1	1	1	W817243H06		
227	R63 A42 287	G	Sensor cover	EVA(6.35D)	1	1	1	1	1	1	P227170X01		A
228	R61 A45 287	G	Sensor cover	EVA(12.7D)	1	1	1	1	1	1	P227171X01		
229	R63 800 413	G	Charging plug		3	3	3	3	3	3	BA50U666H04		A
230	R61 K50 514	G	Packing		1	1	1	1	1	1	W881519H01		
231	R63 Y07 237	G	Belt heater	240V45W<CH11,12>	2	1	2	1	2	1	P493781X02		A
232	R63 Y08 237	G	Belt heater	240V56W<CH12>		1		1		1	P493782X01		A
233	R61 670 410	W	Ball valve	5/8	1	1	1	1	1	1	P636169X01		
234	R61 Y09 410	W	Ball valve	1Flange 10/8	1	1	1	1	1	1	P636321X01		A
235	R63 G48 401	G	Linear expansion valve	DKV-18D124	2	2	2	2	2	2	P632342X01		A
236	R63 E66 401	G	Linear expansion valve coil	<SLEV>	1	1	1	1	1	1	P472019X01		A
237	R63 A45 401	G	Linear expansion valve coil	<LEV1>	1	1	1	1	1	1	P472017X01		A
238	R61 E66 779	W	Rod holder	3771	3	3	3	3	3	3	S452002H09		
239	R61 800 202	W	Thermistor	NTH3A23-3<TH10a,b>	2	2	2	2	2	2	P425494X01		
240	R61 694 410	W	Ball valve	1/2	1	1	1	1	1	1	P636175X01		
241	R63 002 242	G	Four way valve coil	<SV5b>	1	1	1	1	1	1	W875295G05		A
242	R61 Y35 484		Accumulator		1	1	1	1			W271344G08		
243	R61 Y42 484	W	Accumulator						1	1	W650658G16		A
244	R63 E37 154	G	Four way valve		2	2	2	2	2	2	P633101X01		A
245	R63 Y03 242	G	Four way valve coil	<21S4a,21S4b>	2	2	2	2	2	2	P633078X01		A

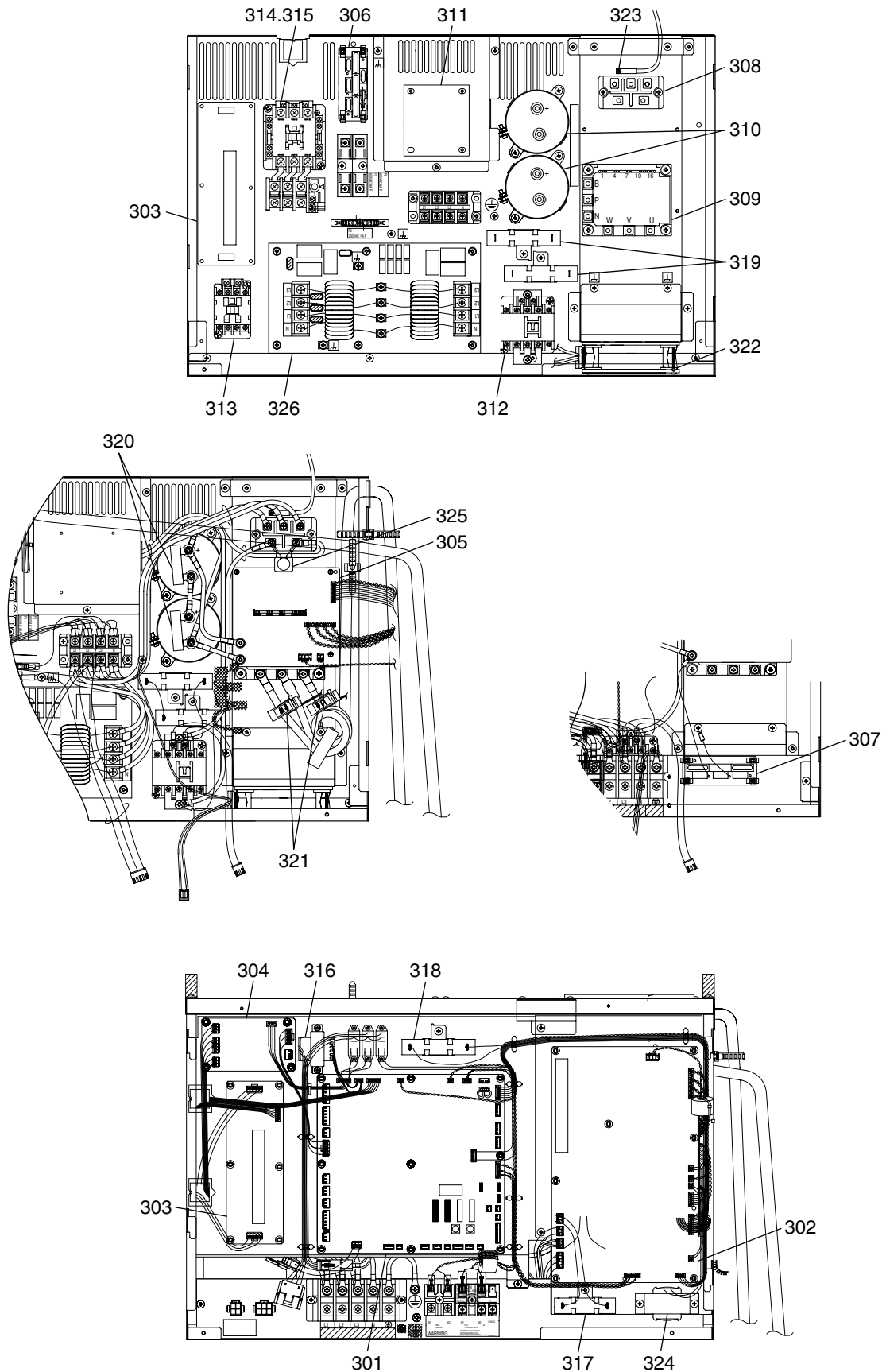
PUHY-400YMF-C(-BS,-BF,-BFA)
 PUHY-500YMF-C(-BS,-BF,-BFA)

FUNCTIONAL PARTS

No.	Part No.	G : RoHS Apply Only W : RoHS Apply by Running Change		Spec.	PUHY-400YMF-C-BFA	PUHY-500YMF-C-BFA				Dwg. No.	Price	Revision History
			Part Name									
201	R63 347 865	G	L.TH spring		2	2				DU38D120H03		A
202	R63 Y04 243	G	Solenoid valve coil	NEV 400<SV1,4,6> 500<SV1,2,3,4,6>	3	5				P631205X01		A
203	R63 658 276	G	TH spring		9	9				BC38D815H01		A
204	R61 Y08 208	W	Pressure switch ass'y	<63H1,2>	2	2				W872429G02		
205	R63 331 288	G	Pressure sensor	<63HS>	1	1				P419110X01		A
206	R63 Y04 237	G	Liquid level detecting heater ass'y	<CH2,3>	1	1				W872422G01		A
207	R61 Y03 494	W	Pipe ass'y		1	1				W883580G05		
208	R61 436 418	W	Check valve		2	2				P639808X01		
209	R63 670 232	G	Solenoid valve	NEV-L202DXF<SV2>		1				P631148X01		A
210	R63 435 232	G	Solenoid valve	NEV-202DXF 400<SV1,4,6> 500<SV1,3,4,6>	3	4				P631807X02		A
211	R61 E66 421	W	Two way valve	VR40101	1	1				P631214X02		
212	R61 G78 485	W	Equalizer ass'y			1				W633751G03		A
213	R61 G74 485	W	Equalizer ass'y		1					W633750G03		A
214	R61 Y03 487		Oil separator		1	1				W266568G02		
215	R61 F62 425	W	Capillary tube ass'y	<1.6X3.2-700>	1	1				W861175G02		
216	R61 E66 426	W	Capillary tube ass'y	<0.8X2.4-2000>	1	1				W861128G02		
217	R63 670 202	G	Thermistor	NTH3A14<TH3~9>	7	7				P425496X01		A
218	R63 F14 200	G	Thermistor	<TH2>	1	1				P425565X01		A
219	R63 911 202	G	Thermistor	<TH11,12>	2	2				P425416X02		A
220	R69 950 478		Scroll compressor	ZHC165YDA-J<MC2>		1				EP10028G04		
221	R69 951 478	W	Scroll compressor	HHV92FAA-YJ<MC1>	1	1				RF15144G07		
222	R69 946 478	W	Scroll compressor	HH101YAA-J<MC2>	1					EP10004G02		
223	R63 A42 454	G	Strainer		3	3				W882823G01		A
224	R63 155 454	G	Strainer		3	3				W882822G01		A
225	R63 Y02 454	G	Strainer		1	1				W858399G02		A
226	R61 375 454	W	Strainer		1	1				W817243H06		
227	R63 A42 287	G	Sensor cover	EVA(6.35D)	1	1				P227170X01		A
228	R61 A45 287	G	Sensor cover	EVA(12.7D)	1	1				P227171X01		
229	R63 800 413	G	Charging plug		3	3				BA50U666H04		A
230	R61 K50 514	G	Packing		1	1				W881519H01		
231	R63 Y07 237	G	Belt heater	240V45W<CH11,12>	2	1				P493781X02		A
232	R63 Y08 237	G	Belt heater	240V56W<CH12>		1				P493782X01		A
233	R61 670 410	W	Ball valve	5/8	1	1				P636169X01		
234	R61 Y09 410	W	Ball valve	1Flange 10/8	1	1				P636321X01		A
235	R63 G48 401	G	Linear expansion valve	DKV-18D124	2	2				P632342X01		A
236	R63 E66 401	G	Linear expansion valve coil	<SLEV>	1	1				P472019X01		A
237	R63 A45 401	G	Linear expansion valve coil	<LEV1>	1	1				P472017X01		A
238	R61 E66 779	W	Rod holder	3771	3	3				S452002H09		
239	R61 800 202	W	Thermistor	NTH3A23-3<TH10a,b>	2	2				P425494X01		
240	R61 694 410	W	Ball valve	1/2	1	1				P636175X01		
241	R63 002 242	G	Four way valve coil	<SV5b>	1	1				W875295G05		A
242	R61 Y35 484		Accumulator		1	1				W271344G08		
243	R61 Y42 484	W	Accumulator							W650658G16		A
244	R63 E37 154	G	Four way valve		2	2				P633101X01		A
245	R63 Y03 242	G	Four way valve coil	<21S4a,21S4b>	2	2				P633078X01		A

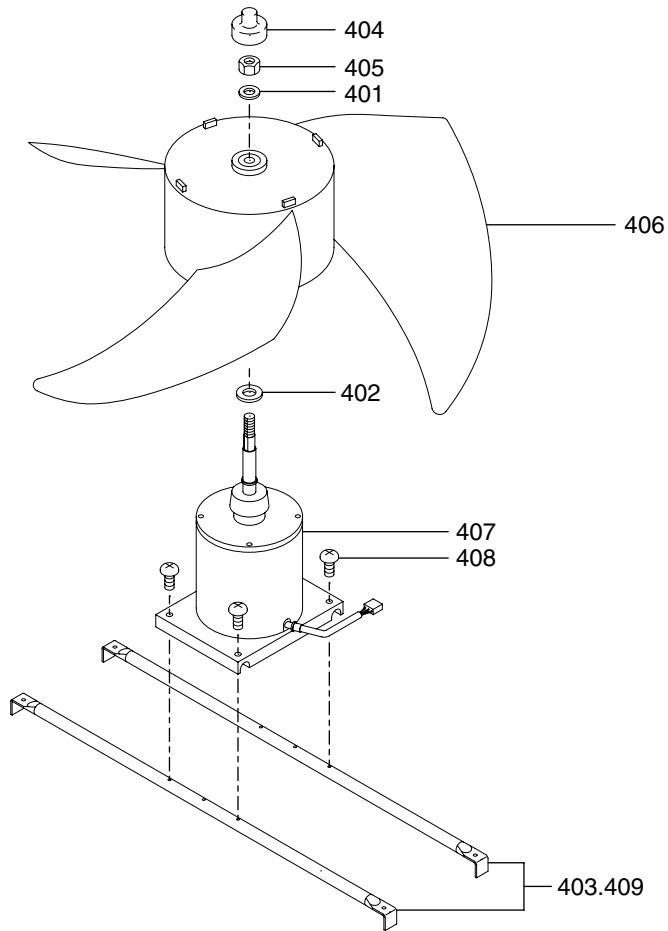
PUHY-400YMF-C(-BS,-BF,-BFA)
 PUHY-500YMF-C(-BS,-BF,-BFA)

CONTROL BOX PARTS



PUHY-400YMF-C(-BS,-BF,-BFA)
 PUHY-500YMF-C(-BS,-BF,-BFA)

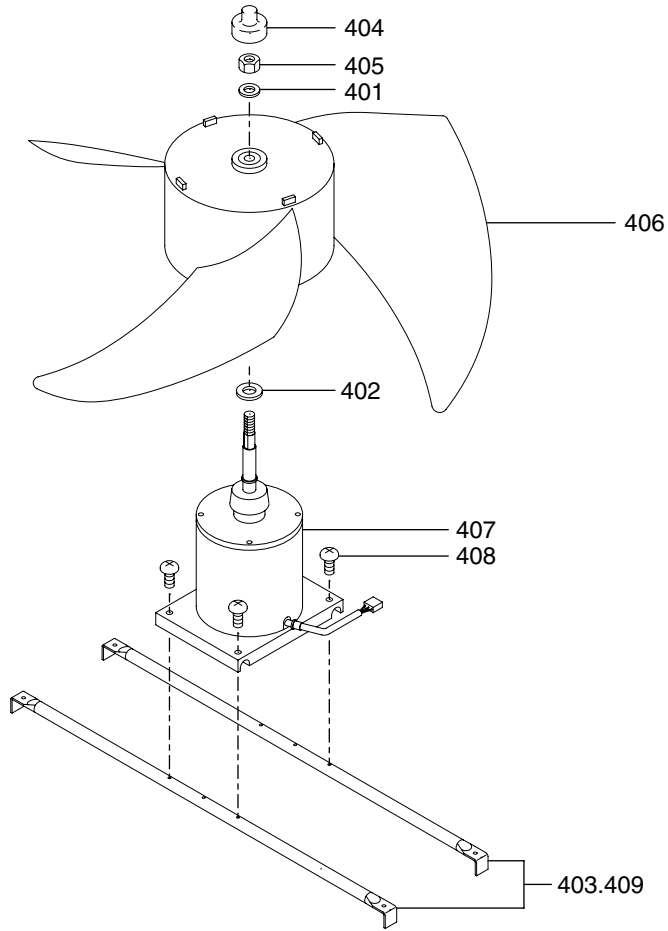
BLOWER PARTS



No.	Part No.	G : RoHS Apply Only W : RoHS Apply by Running Change		Spec.	PUHY-400YMF-C	PUHY-500YMF-C	PUHY-400YMF-C-BS	PUHY-500YMF-C-BS	PUHY-400YMF-C-BF	PUHY-500YMF-C-BF	Dwg. No.	Price	Revision History
		Part Name											
401	R61 A42 136	W	Washer	17x32	2	2	2	2	2	2	P562006X01		
402	R61 A45 136	W	Washer	20.5x40	2	2	2	2	2	2	P562007X01		
403	R63 A42 140	G	Fan stand		4	4			4	4	W856127G05		A
404	R61 A69 086	G	Cap		2	2	2	2	2	2	P221056X01		
405	R63 A42 122	G	Nut 16		2	2	2	2	2	2	P541016X01		A
406	R63 E66 115	G	Propeller fan	750D	2	2	2	2	2	2	W872619G01		A
407	R63 Y33 221	G	Motor	<MF2,3>	2	2	2	2	2	2	P714762X01		
408	R63 E90 087	G	Screw	6x14	8	8	8	8	8	8	P521020X01		A
409	R63 A43 140	G	Fan stand				4	4			W856127G06		A

PUHY-400YMF-C(-BS,-BF,-BFA)
 PUHY-500YMF-C(-BS,-BF,-BFA)

BLOWER PARTS



No.	Part No.	G : RoHS Apply Only W : RoHS Apply by Running Change		Spec.	PUHY-400YMF-C-BFA	PUHY-500YMF-C-BFA				Dwg. No.	Price	Revision History
			Part Name									
401	R61 A42 136	W	Washer	17x32	2	2				P562006X01		
402	R61 A45 136	W	Washer	20.5x40	2	2				P562007X01		
403	R63 A42 140	G	Fan stand		4	4				W856127G05		A
404	R61 A69 086	G	Cap		2	2				P221056X01		
405	R63 A42 122	G	Nut 16		2	2				P541016X01		A
406	R63 E66 115	G	Propeller fan	750D	2	2				W872619G01		A
407	R63 Y33 221	G	Motor	<MF2,3>	2	2				P714762X01		
408	R63 E90 087	G	Screw	6x14	8	8				P521020X01		A
409	R63 A43 140	G	Fan stand							W856127G06		A

