

SERVICE PARTS LIST FOR MITSUBISHI ELECTRIC PACKAGED AIR-CONDITIONERS

Series PUHY-YMF-B(-BS)

REVISED
Jul. 2003

INDEX

PUHY-400YMF-B

PUHY-500YMF-B

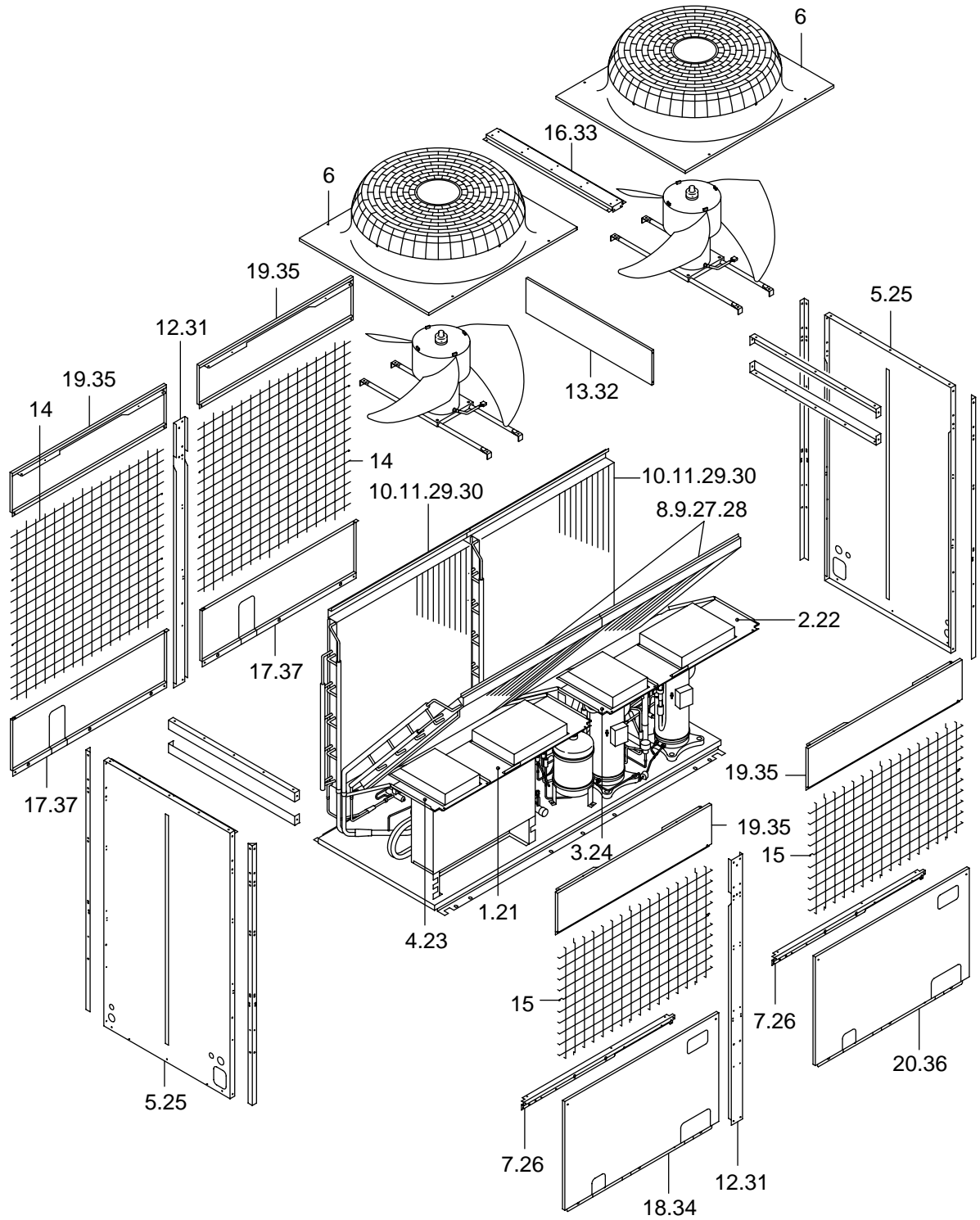
PUHY-400YMF-B-BS

PUHY-500YMF-B-BS



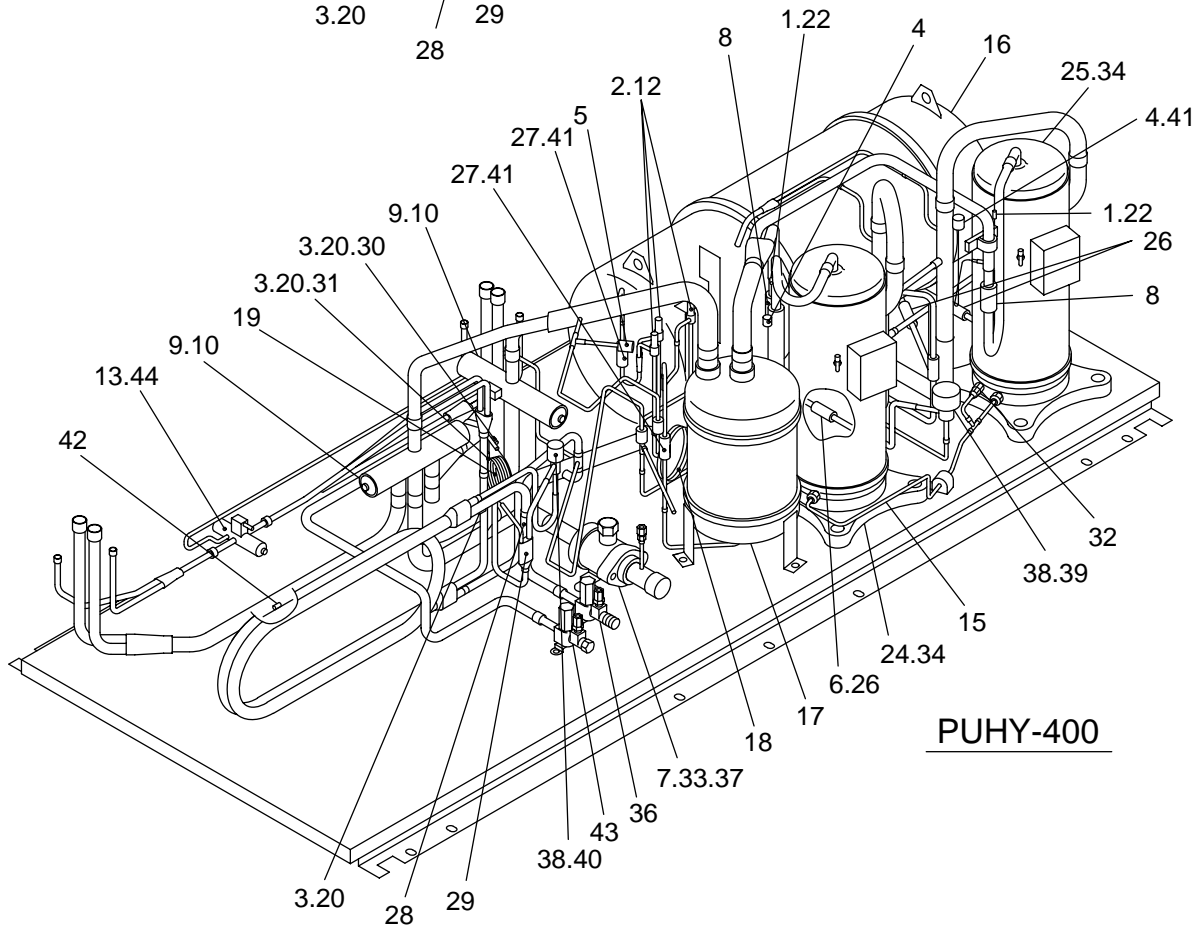
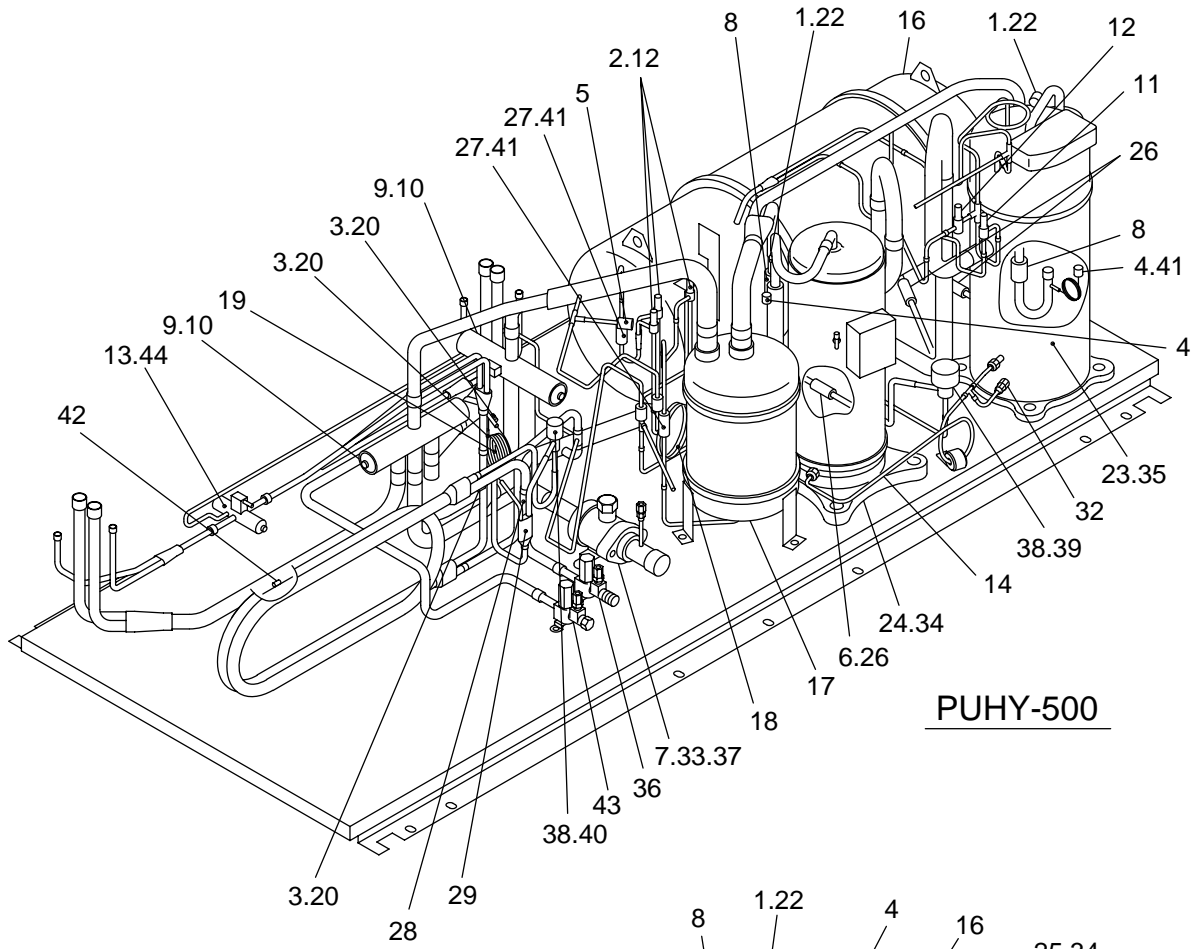
PUHY-400YMF-B(-BS)
PUHY-500YMF-B(-BS)

EXTERNAL PARTS



PUHY-400YMF-B(-BS)
PUHY-500YMF-B(-BS)

FUNCTIONAL PARTS



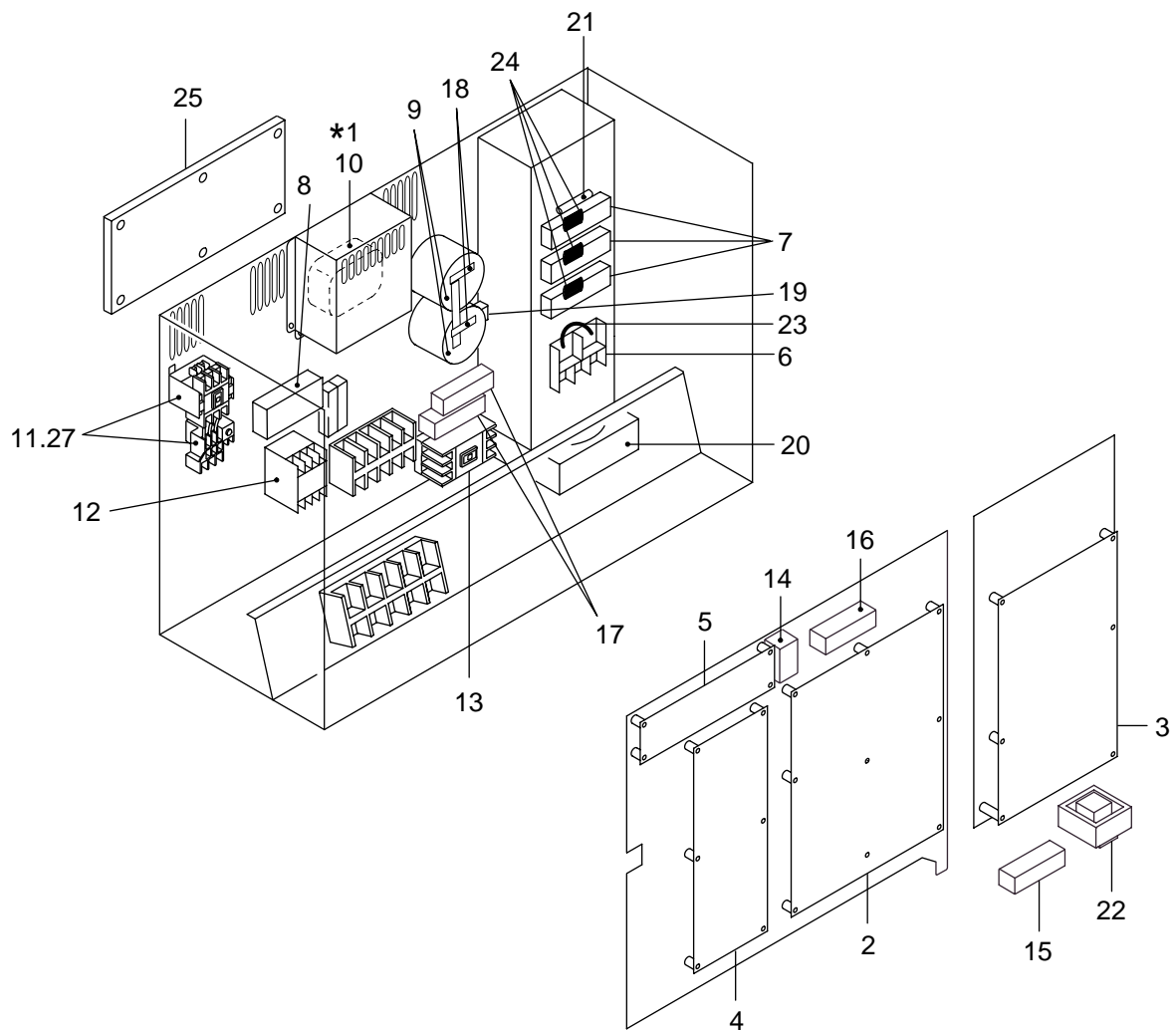
PUHY-400YMF-B(-BS)
PUHY-500YMF-B(-BS)

FUNCTIONAL PARTS

No.	Part No.	Part Name	Spec.	400YMF-B	500YMF-B	400YMF-BBS	500YMF-BBS			Dwg. No.	Price
1	R11 347 865	L.TH spring		2	2	2	2			U38D120H03	
2	R61 Y04 243	230V coil type NEV	230V ^{400<SV1,4,6>} _{500<SV1,2,3,4,6>}	3	5	3	5			P631205X01	
3	R13 658 276	TH spring		9	9	9	9			C38D815H01	
4	R61 Y08 208	Pressure switch ass'y	<63H1,2>	2	2	2	2			W872429G02	
5	R61 331 288	Pressure sensor	<63HS>	1	1	1	1			P419110X01	
6	R61 Y04 237	Liquid level detecting heater ass'y	<CH2,3>	1	1	1	1			W872422G01	
7	R61 Y03 494	Pipe ass'y		1	1	1	1			W883580G03	
8	R61 436 418	Check valve		2	2	2	2			P639808X01	
9	R61 Y02 154	Four way valve	With a coil	2	2	2	2			W893224G01	
10	R61 Y10 242	Four way valve coil	<21S4>	2	2	2	2			W893225G01	
11	R61 670 232	Solenoid valve	NEVL-202DXF <SV3>		1		1			P631148X01	
12	R61 435 232	Solenoid valve	NEV-202DXF	3	4	3	4			P631807X02	
13	R61 E66 421	Two way valve	VR40101	1	1	1	1			P631214X02	
14	R61 G78 485	Equalizer ass'y			1		1			W633751G01	
15	R61 G74 485	Equalizer ass'y		1		1				W633750G01	
16	R61 Y12 484	Accumulator		1	1	1	1			W265797G02	
17	R61 Y03 487	Oil separator	YBM	1	1	1	1			W266568G02	
18	R61 F62 425	Capillary tube ass'y	<1.6x3.2-700>	1	1	1	1			W861175G02	
19	R61 E66 426	Capillary tube ass'y	<0.8x2.4-2000>	1	1	1	1			W861128G02	
20	R61 670 202	Thermistor	NTH3A14 <TH3-9>	7	7	7	7			P425496X01	
21	R61 F14 200	Thermistor	<TH2>	1	1	1	1			P425565X01	
22	R61 911 202	Thermistor	<TH11,12>	2	2	2	2			P425416X02	
23	R69 950 478	Scroll compressor	ZHC165YDA-J <MC2>		1		1			EP10028G04	
24	R69 951 478	Scroll compressor	HHV92FAA-YJ <MC1>	1	1	1	1			RF15144G07	
25	R69 946 478	Scroll compressor	HH101YAA-J <MC2>	1		1				EP10004G02	
26	R61 A42 454	Strainer		3	3	3	3			W882823G01	
27	R61 155 454	Strainer		3	3	3	3			W882822G01	
28	R61 Y02 454	Strainer		1	1	1	1			W858399G02	
29	R61 375 454	Strainer		1	1	1	1			W817243H06	
30	R61 A42 287	Sensor cover EVA	6.35D	1	1	1	1			P227170X01	
31	R61 A45 287	Sensor cover EVA	12.7D	1	1	1	1			P227171X01	
32	R61 800 413	Charging plug		3	3	3	3			A50U666H04	
33	R61 G74 514	Packing		1	1	1	1			P321010X01	
34	R61 Y07 237	Belt heater	240V45W <CH11,12>	2	1	2	1			P493781X01	
35	R61 Y08 237	Belt heater	240V56W <CH12>		1		1			P493782X01	
36	R61 670 410	Ball valve	5/8	1	1	1	1			P636169X01	
37	R61 K10 410	Ball valve	1-1/4VB-12FJM	1	1	1	1			P636255X01	
38	R61 G48 401	Linear expansion valve	DKV-24	2	2	2	2			P632342X01	
39	R61 E66 401	Linear expansion valve coil	<SLEV>	1	1	1	1			P632312X01	
40	R61 A45 401	Linear expansion valve coil	<LEV1>	1	1	1	1			P632299X01	
41	R61 E66 779	Rod holder	3771	3	3	3	3			S452002H09	
42	R61 800 202	Thermistor	<TH10a, b>	2	2	2	2			P425494X01	
43	R61 694 410	Ball valve	1/2	1	1	1	1			P636175X01	
44	R61 Y07 242	Four way valve coil	<SV5B>	1	1	1	1			P633106X01	

PUHY-400YMF-B(-BS)
PUHY-500YMF-B(-BS)

CONTROL BOX PARTS



*1:It may be needed to process the hole for attaching parts into the metal plate of Control box.

