

# **SERVICE PARTS LIST FOR MITSUBISHI ELECTRIC PACKAGED AIR-CONDITIONERS**

**Series PUHN-P-YMF-B(-BS,-BF)  
PUHN-P-YMF-C(-BS,-BF)**  
**For use with the R407C**

**REVISED  
Jun. 2003**

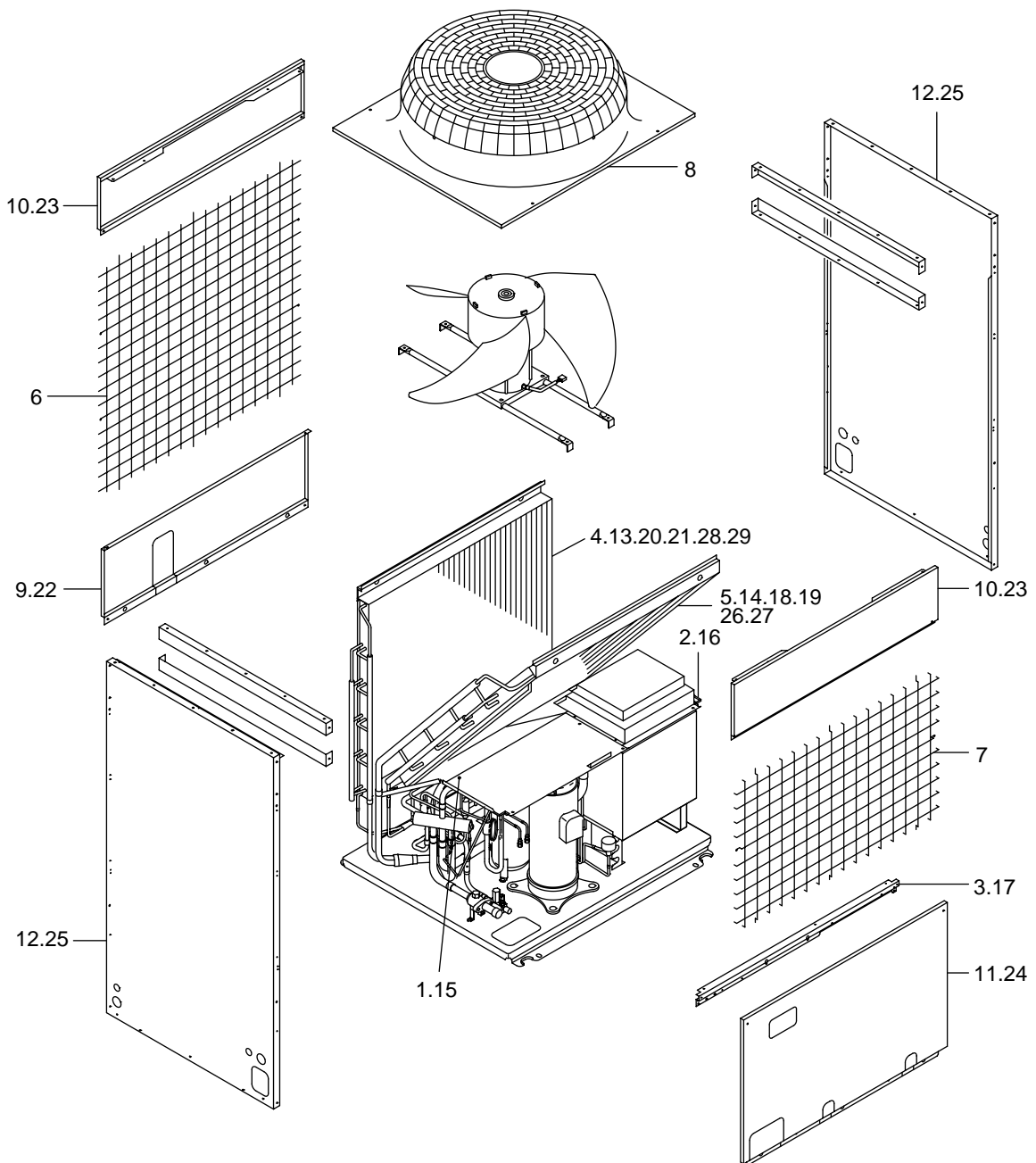
## **INDEX**

**PUHN-P200YMF-B  
PUHN-P250YMF-B  
PUHN-P200YMF-B-BS  
PUHN-P250YMF-B-BS  
PUHN-P200YMF-B-BF  
PUHN-P250YMF-B-BF  
PUHN-P200YMF-C  
PUHN-P250YMF-C  
PUHN-P200YMF-C-BS  
PUHN-P250YMF-C-BS  
PUHN-P200YMF-C-BF  
PUHN-P250YMF-C-BF**



PUHN-P200YMF-B (-BS,-BF)  
PUHN-P250YMF-B (-BS,-BF)  
PUHN-P200YMF-C (-BS,-BF)  
PUHN-P250YMF-C (-BS,-BF)

### EXTERNAL PARTS



PUHN-P200YMF-B (-BS,-BF)  
PUHN-P250YMF-B (-BS,-BF)

EXTERNAL PARTS

No.	Part No.	Part Name	Spec.	-P200YMF-B	-P250YMF-B	-P200YMF-B-BS	-P250YMF-B-BS	-P200YMF-B-BF	-P250YMF-B-BF	Dwg. No.	Price
1	R61 A64 667	Partition board L ass'y		1	1			1	1	W856139G34	
2	R61 F48 667	Partition board R ass'y		1	1			1	1	W856138G34	
3	R61 A42 659	Front panel		1	1			1	1	W615888H18	
4	R61 H13 481	Heat exchanger ass'y B		1						W125263G12	
5	R61 H13 409	Heat exchanger ass'y F		1						W125262G14	
6	R61 A42 638	Guard B ass'y		1	1	1	1	1	1	W265789G01	
7	R61 E66 611	Guard F ass'y		1	1	1	1	1	1	W265788G01	
8	R61 A52 118	Fan guard	With the Drum	1	1	1	1	1	1	W123195G01	
9	R61 M43 677	Panel B ass'y		1	1			1	1	W857426G21	
10	R61 L78 653	Panel FU		2	2			2	2	W633746H06	
11	R61 Y13 652	Panel F		1	1			1	1	W857425G26	
12	R61 N78 661	Panel S		2	2			2	2	W272421H01	
13	R61 K08 481	Heat exchanger ass'y B			1					W125265G16	
14	R61 K08 409	Heat exchanger ass'y F			1					W125264G16	
15	R61 A67 667	Partition board L ass'y				1	1			W856139G27	
16	R61 F49 667	Partition board R ass'y				1	1			W856138G27	
17	R61 A43 659	Front panel				1	1			W615888G09	
18	R61 H15 409	Heat exchanger ass'y F				1				W125262G16	
19	R61 H16 409	Heat exchanger ass'y F					1			W125264G19	
20	R61 H15 481	Heat exchanger ass'y B				1				W125263G14	
21	R61 H16 481	Heat exchanger ass'y B					1			W125265G19	
22	R61 M44 677	Panel B ass'y				1	1			W857426G28	
23	R61 N78 653	Panel FU				2	2			W633746G06	
24	R61 Y14 652	Panel F				1	1			W857425G38	
25	R61 N78 662	Panel S				2	2			W272421G02	
26	R61 Y21 481	Heat exchanger ass'y F						1		W125262G18	
27	R61 Y33 481	Heat exchanger ass'y F							1	W125264G22	
28	R61 Y29 481	Heat exchanger ass'y B						1		W125263G16	
29	R61 Y30 481	Heat exchanger ass'y B							1	W125265G22	

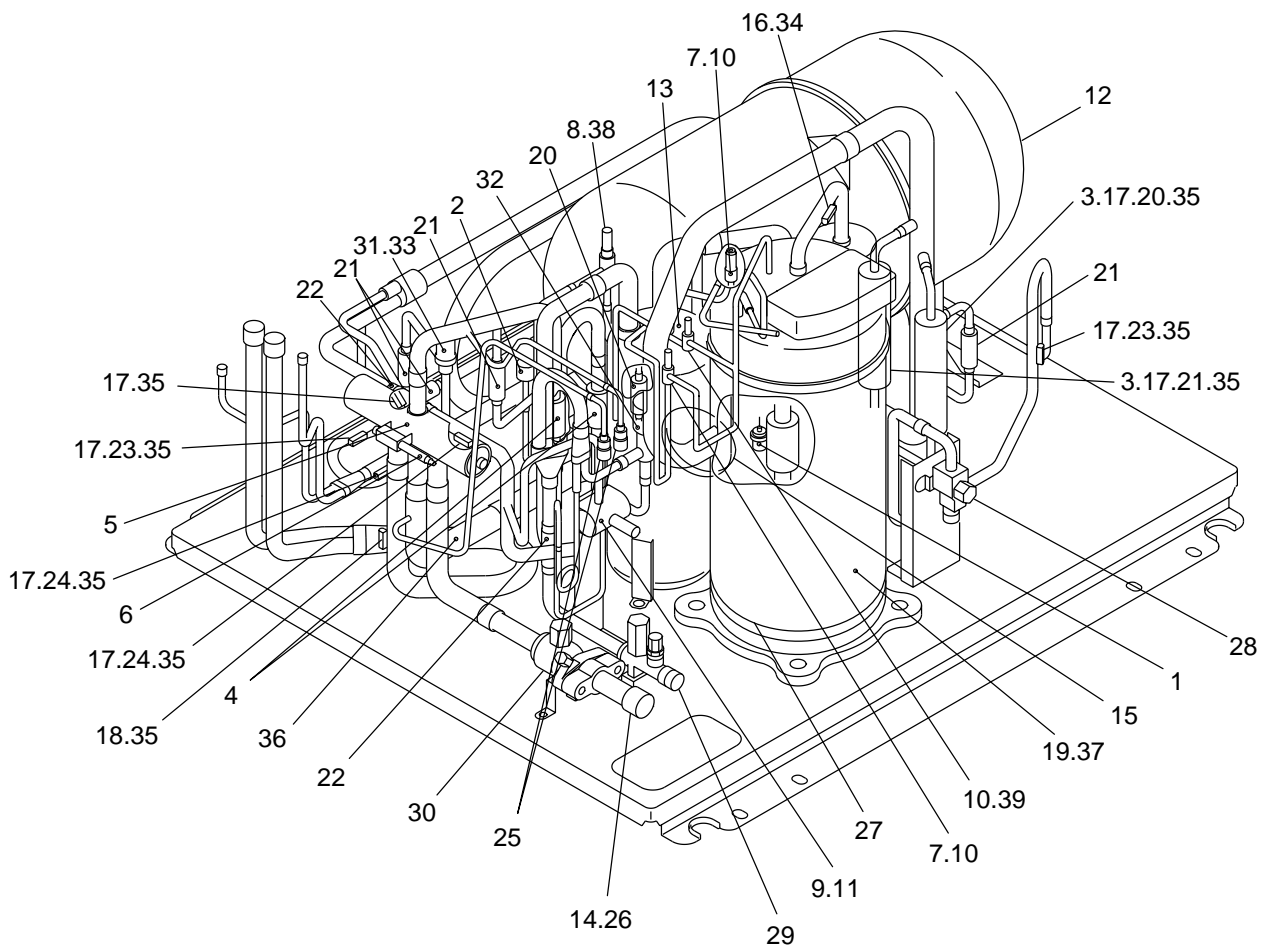
PUHN-P200YMF-C (-BS,-BF)  
 PUHN-P250YMF-C (-BS,-BF)

EXTERNAL PARTS

No.	Part No.	Part Name	Spec.	-P200YMF-C	-P250YMF-C	-P200YMF-C-BS	-P250YMF-C-BS	-P200YMF-C-BF	-P250YMF-C-BF	Dwg. No.	Price
1	R61 A64 667	Partition board L ass'y		1	1			1	1	W856139G34	
2	R61 F48 667	Partition board R ass'y		1	1			1	1	W856138G34	
3	R61 A42 659	Front panel		1	1			1	1	W615888H18	
4	R61 H13 481	Heat exchanger ass'y B		1						W125263G12	
5	R61 H13 409	Heat exchanger ass'y F		1						W125262G14	
6	R61 A42 638	Guard B ass'y		1	1	1	1	1	1	W265789G01	
7	R61 E66 611	Guard F ass'y		1	1	1	1	1	1	W265788G01	
8	R61 A52 118	Fan guard	With the Drum	1	1	1	1	1	1	W123195G01	
9	R61 M43 677	Panel B ass'y		1	1			1	1	W857426G21	
10	R61 L78 653	Panel FU		2	2			2	2	W633746H06	
11	R61 Y13 652	Panel F		1	1			1	1	W857425G26	
12	R61 N78 661	Panel S		2	2			2	2	W272421H01	
13	R61 K08 481	Heat exchanger ass'y B			1					W125265G16	
14	R61 K08 409	Heat exchanger ass'y F			1					W125264G16	
15	R61 A67 667	Partition board L ass'y				1	1			W856139G27	
16	R61 F49 667	Partition board R ass'y				1	1			W856138G27	
17	R61 A43 659	Front panel				1	1			W615888G09	
18	R61 H15 409	Heat exchanger ass'y F				1				W125262G16	
19	R61 H16 409	Heat exchanger ass'y F					1			W125264G19	
20	R61 H15 481	Heat exchanger ass'y B				1				W125263G14	
21	R61 H16 481	Heat exchanger ass'y B					1			W125265G19	
22	R61 M44 677	Panel B ass'y				1	1			W857426G28	
23	R61 N78 653	Panel FU				2	2			W633746G06	
24	R61 Y14 652	Panel F				1	1			W857425G38	
25	R61 N78 662	Panel S				2	2			W272421G02	
26	R61 Y21 481	Heat exchanger ass'y F						1		W125262G18	
27	R61 Y33 481	Heat exchanger ass'y F							1	W125264G22	
28	R61 Y29 481	Heat exchanger ass'y B						1		W125263G16	
29	R61 Y30 481	Heat exchanger ass'y B							1	W125265G22	

PUHN-P200YMF-B (-BS,-BF)  
PUHN-P250YMF-B (-BS,-BF)

### FUNCTIONAL PARTS



PUHN-P200YMF-B (-BS,-BF)  
PUHN-P250YMF-B (-BS,-BF)

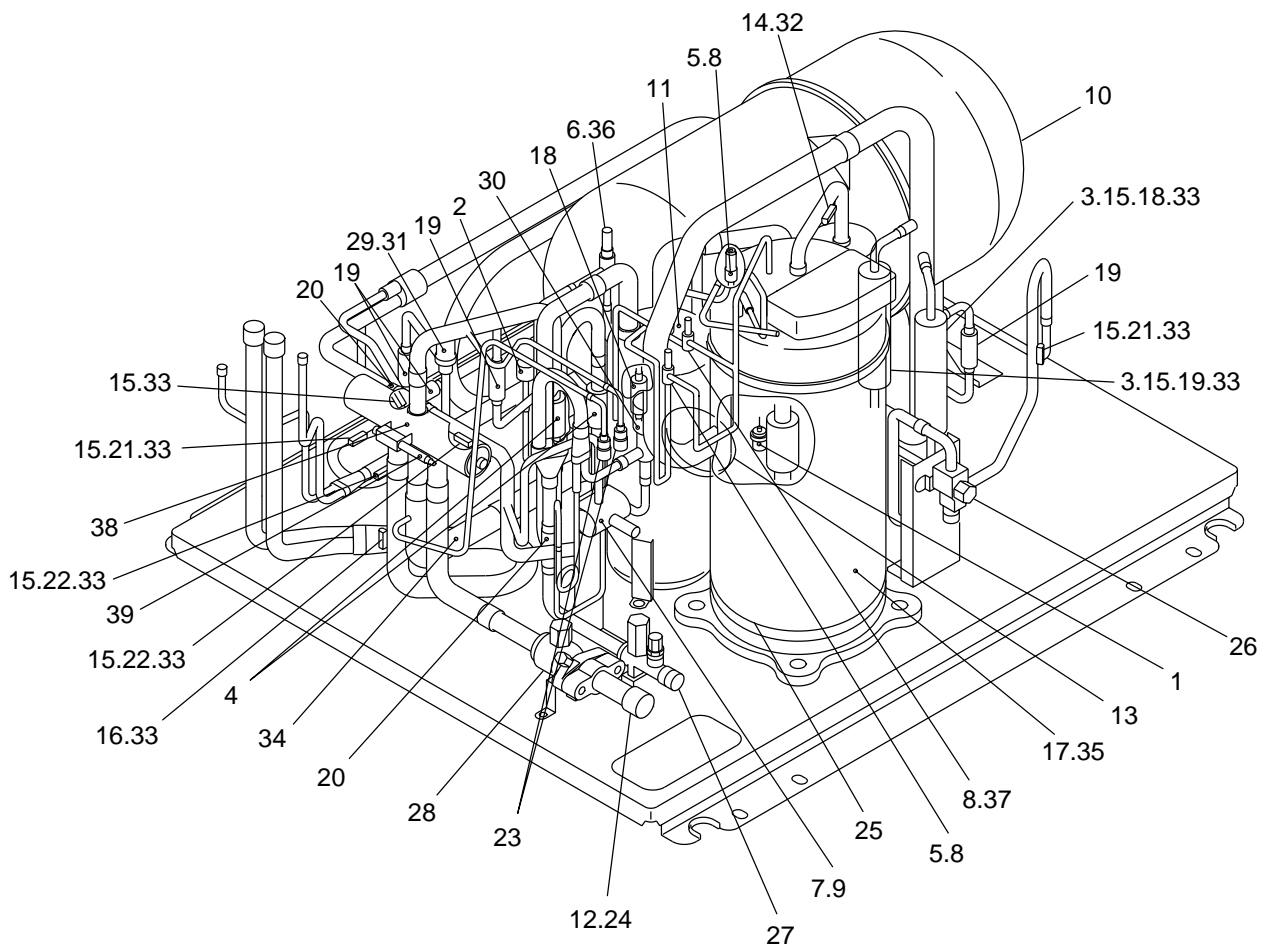
FUNCTIONAL PARTS

No.	Part No.	Part Name	Spec.	-P200YMF-B	-P250YMF-B	-P200YMF-B-BS	-P250YMF-B-BS	-P200YMF-B-BF	-P250YMF-B-BF	Dwg. No.	Price
1	R61 Y06 208	Pressure switch	<63H1>	1	1	1	1	1	1	P426258X02	
2	R61 G35 288	Pressure sensor	<63LS>	1	1	1	1	1	1	P419129X01	
3	R61 Y01 237	Liquid level detecting heater	<CH2,3>	1	1	1	1	1	1	P493553X02	
4	R61 F14 418	Check valve		2	2	2	2	2	2	P639130X01	
5	R61 Y02 154	Four way valve	With a coil	1	1	1	1	1	1	W893224G01	
6	R61 Y10 242	Four way valve coil	<21S4>	1	1	1	1	1	1	W893225G01	
7	R61 435 232	Solenoid valve	NEV202DXF	2	2	2	2	2	2	P631807X02	
8	R61 Y02 232	Solenoid valve	VF20100	1	1	1	1	1	1	P631243X01	
9	R61 449 232	Solenoid valve	SB18PF-M	1	1	1	1	1	1	P631818X03	
10	R61 Y04 243	Solenoid valve coil type NEV	<SV1~3>	3	3	3	3	3	3	P631205X01	
11	R61 Y03 232	Solenoid valve coil type SB18	<SV5b>	1	1	1	1	1	1	P631246X01	
12	R61 Y17 484	Accumulator ass'y		1	1	1	1	1	1	W250658G01	
13	R61 Y06 487	Oil separator ass'y		1	1	1	1	1	1	W266570G02	
14	R61 E91 494	Pipe ass'y		1	1	1	1	1	1	W619465G05	
15	R61 F48 425	Capillary tube ass'y	1.2X3.0-1000	1	1	1	1	1	1	W864648G02	
16	R61 911 202	Thermistor	<TH11>	1	1	1	1	1	1	P425416X02	
17	R61 670 202	Thermistor	(NTH3A14) <TH3-9,TH10b>	8	8	8	8	8	8	P425496X01	
18	R61 800 202	Thermistor	(NTH3A23-3) <TH10a>	1	1	1	1	1	1	P425494X01	
19	R69 966 478	Scroll compressor	ZEC133YAA	1		1		1		EP10034G04	
20	R61 155 454	Strainer	6.35D	2	2	2	2	2	2	W882822G01	
21	R61 A42 454	Strainer	9.52D	5	5	5	5	5	5	W882823G01	
22	R61 Y02 454	Strainer		2	2	2	2	2	2	W858399G02	
23	R61 A45 287	Sensor cover	(EVA)12.7D	2	2	2	2	2	2	P227171X01	
24	R61 A43 287	Sensor cover	(EVA)16D	2	2	2	2	2	2	P227172X01	
25	R61 F14 413	Check joint		2	2	2	2	2	2	P639131X01	
26	R61 F14 514	Packing		1	1	1	1	1	1	P321009X01	
27	R61 Y08 237	Belt heater	240V 56W <CH11>	1	1	1	1	1	1	P493782X01	
28	R61 Y05 410	Ball valve	1/2	1	1	1	1	1	1	P636253X01	
29	R61 F14 410	Ball valve	1/2	1	1	1	1	1	1	P636220X01	
30	R61 N12 410	Ball valve		1	1	1	1	1	1	P636269X01	
31	R61 G48 401	Linear expansion valve	DKV-18D124 <LEV1>	1	1	1	1	1	1	P632342X01	
32	R61 256 401	Linear expansion valve	(EDM-804) <LEV2>	1	1	1	1	1	1	P632292X01	
33	R61 A45 401	Linear expansion valve coil	(Red) <LEV1>	1	1	1	1	1	1	P632299X01	
34	R11 347 865	L.TH spring		1	1	1	1	1	1	U38D120H03	
35	R13 658 276	TH spring		8	8	8	8	8	8	C38D815H01	
36	R61 G49 494	Pipe		1	1	1	1	1	1	W864478H03	
37	R69 965 478	Scroll compressor	ZEC165YAA		1		1		1	EP10034G03	
38	R61 Y07 243	Solenoid valve coil	<SV4>	1	1	1	1	1	1	P631245X01	
39	R61 670 232	Solenoid valve	NEVL-202DXF	1	1	1	1	1	1	P631148X01	

No. : For use with R407C

PUHN-P200YMF-C (-BS,-BF)  
PUHN-P250YMF-C (-BS,-BF)

### FUNCTIONAL PARTS



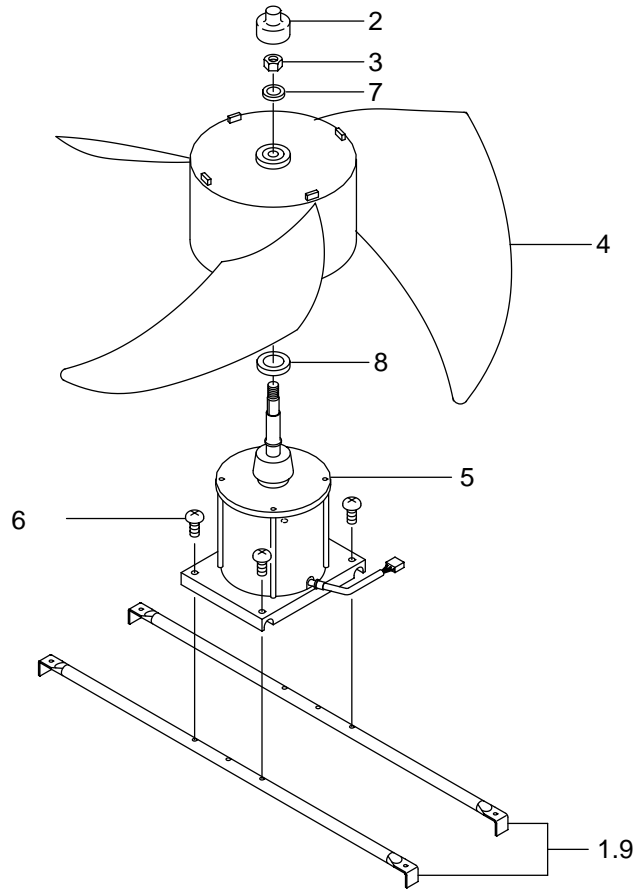
No.	Part No.	Part Name	Spec.	-P200YMF-C	-P250YMF-C	-P200YMF-C-BS	-P250YMF-C-BS	-P200YMF-C-BF	-P250YMF-C-BF	Dwg. No.	Price
1	R61 Y06 208	Pressure switch	<63H1>	1	1	1	1	1	1	P426258X02	
2	R61 G35 288	Pressure sensor	<63LS>	1	1	1	1	1	1	P419129X01	
3	R61 Y01 237	Liquid level detecting heater	<CH2,3>	1	1	1	1	1	1	P493553X02	
4	R61 F14 418	Check valve		2	2	2	2	2	2	P639130X01	
5	R61 435 232	Solenoid valve	NEV202DXF	2	2	2	2	2	2	P631807X02	
6	R61 Y02 232	Solenoid valve	VF20100	1	1	1	1	1	1	P631243X01	
7	R61 449 232	Solenoid valve	SB18PF-M	1	1	1	1	1	1	P631818X03	
8	R61 Y04 243	Solenoid valve coil type NEV	<SV1~3>	3	3	3	3	3	3	P631205X01	
9	R61 Y03 232	Solenoid valve coil type SB18	<SV5b>	1	1	1	1	1	1	P631246X01	
10	R61 Y17 484	Accumulator ass'y		1	1	1	1	1	1	W250658G01	
11	R61 Y06 487	Oil separator ass'y		1	1	1	1	1	1	W266570G02	
12	R61 E91 494	Pipe ass'y		1	1	1	1	1	1	W619465G05	
13	R61 F48 425	Capillary tube ass'y	1.2X3.0-1000	1	1	1	1	1	1	W864648G02	
14	R61 911 202	Thermistor	<TH11>	1	1	1	1	1	1	P425416X02	
15	R61 670 202	Thermistor	(NTH3A14) <TH3-9,TH10b>	8	8	8	8	8	8	P425496X01	
16	R61 800 202	Thermistor	(NTH3A23-3) <TH10a>	1	1	1	1	1	1	P425494X01	
17	R69 966 478	Scroll compressor	ZEC133YAA	1		1		1		EP10034G04	
18	R61 155 454	Strainer	6.35D	2	2	2	2	2	2	W882822G01	
19	R61 A42 454	Strainer	9.52D	5	5	5	5	5	5	W882823G01	
20	R61 Y02 454	Strainer		2	2	2	2	2	2	W858399G02	
21	R61 A45 287	Sensor cover	(EVA)12.7D	2	2	2	2	2	2	P227171X01	
22	R61 A43 287	Sensor cover	(EVA)16D	2	2	2	2	2	2	P227172X01	
23	R61 F14 413	Check joint		2	2	2	2	2	2	P639131X01	
24	R61 F14 514	Packing		1	1	1	1	1	1	P321009X01	
25	R61 Y08 237	Belt heater	240V 56W <CH11>	1	1	1	1	1	1	P493782X01	
26	R61 Y05 410	Ball valve	1/2	1	1	1	1	1	1	P636253X01	
27	R61 F14 410	Ball valve	1/2	1	1	1	1	1	1	P636220X01	
28	R61 N12 410	Ball valve		1	1	1	1	1	1	P636269X01	
29	R61 G48 401	Linear expansion valve	DKV-18D124 <LEV1>	1	1	1	1	1	1	P632342X01	
30	R61 256 401	Linear expansion valve	(EDM-804) <LEV2>	1	1	1	1	1	1	P632292X01	
31	R61 A45 401	Linear expansion valve coil	(Red) <LEV1>	1	1	1	1	1	1	P632299X01	
32	R11 347 865	L.TH spring		1	1	1	1	1	1	U38D120H03	
33	R13 658 276	TH spring		8	8	8	8	8	8	C38D815H01	
34	R61 G49 494	Pipe		1	1	1	1	1	1	W864478H03	
35	R69 965 478	Scroll compressor	ZEC165YAA		1		1		1	EP10034G03	
36	R61 Y07 243	Solenoid valve coil	<SV4>	1	1	1	1	1	1	P631245X01	
37	R61 670 232	Solenoid valve coil	NEVL-202DXF	1	1	1	1	1	1	P631148X01	
38	R61 E37 154	Four way valve		1	1	1	1	1	1	P633101X01	
39	R61 Y03 242	Four way valve coil	<21S4>	1	1	1	1	1	1	P633078X01	

No. : For use with R407C



PUHN-P200YMF-B (-BS,-BF)  
 PUHN-P250YMF-B (-BS,-BF)

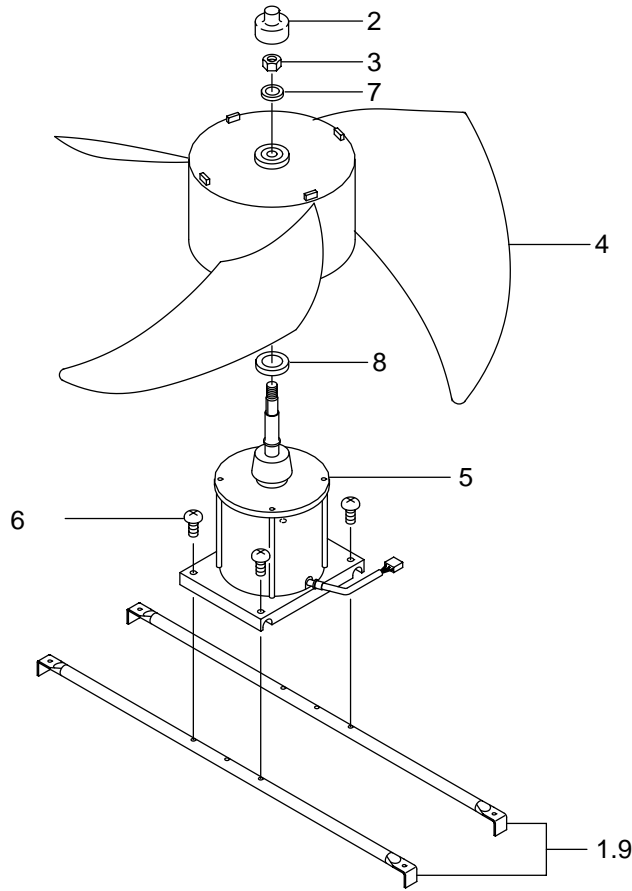
BLOWER PARTS



No.	Part No.	Part Name	Spec.							Dwg. No.	Price
				-P200YMF-B	-P250YMF-B	-P200YMF-B-BS	-P250YMF-B-BS	-P200YMF-B-BF	-P250YMF-B-BF		
1	R61 A42 140	Fan stand		2	2			2	2	W856127G05	
2	R61 A69 086	Cap		1	1	1	1	1	1	P221056X01	
3	R61 A42 122	Nut 16		1	1	1	1	1	1	P541016X01	
4	R61 E66 115	Propeller fan	750D	1	1	1	1	1	1	W872619G01	
5	R61 Y84 220	Motor	NFS-3508J1	1	1	1	1	1	1	P714535X03	
6	R61 E90 087	Screw	6X14	4	4	4	4	4	4	P521020X01	
7	R61 A42 136	Washer	17X32	1	1	1	1	1	1	P562006X01	
8	R61 A45 136	Washer	20.5X40	1	1	1	1	1	1	P562007X01	
9	R61 A43 140	Fan stand				2	2			W856127G06	

PUHN-P200YMF-C (-BS,-BF)  
 PUHN-P250YMF-C (-BS,-BF)

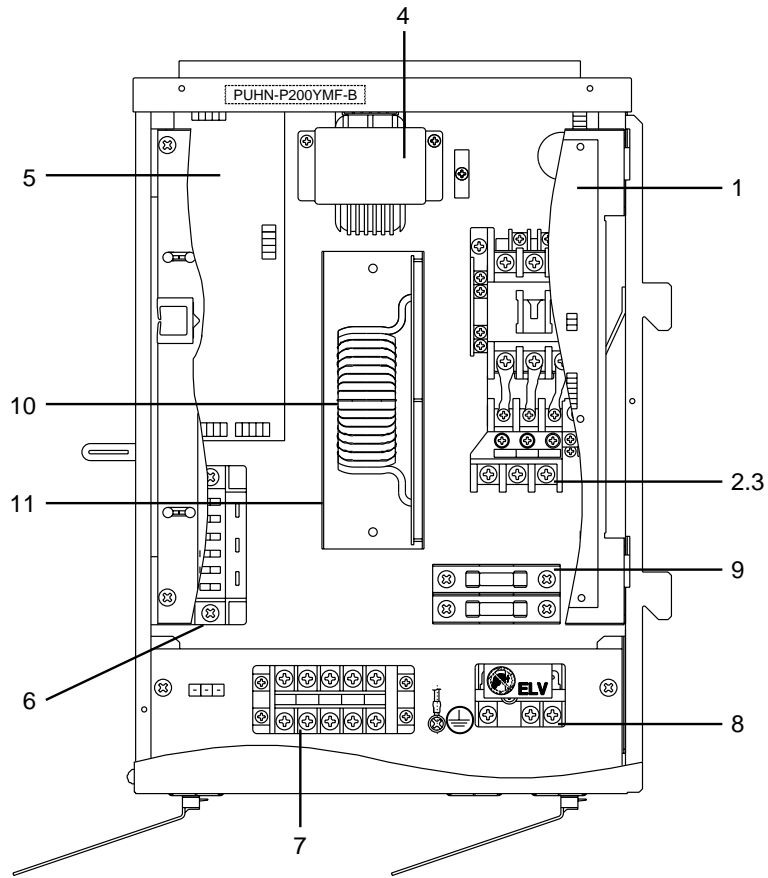
BLOWER PARTS



No.	Part No.	Part Name	Spec.							Dwg. No.	Price
				-P200YMF-C	-P250YMF-C	-P200YMF-C-BS	-P250YMF-C-BS	-P200YMF-C-BF	-P250YMF-C-BF		
1	R61 A42 140	Fan stand		2	2			2	2	W856127G05	
2	R61 A69 086	Cap		1	1	1	1	1	1	P221056X01	
3	R61 A42 122	Nut 16		1	1	1	1	1	1	P541016X01	
4	R61 E66 115	Propeller fan	750D	1	1	1	1	1	1	W872619G01	
5	R61 Y33 221	Motor		1	1	1	1	1	1	P714762X01	
6	R61 E90 087	Screw	6X14	4	4	4	4	4	4	P521020X01	
7	R61 A42 136	Washer	17X32	1	1	1	1	1	1	P562006X01	
8	R61 A45 136	Washer	20.5X40	1	1	1	1	1	1	P562007X01	
9	R61 A43 140	Fan stand				2	2			W856127G06	

PUHN-P200YMF-B (-BS,-BF)  
 PUHN-P250YMF-B (-BS,-BF)

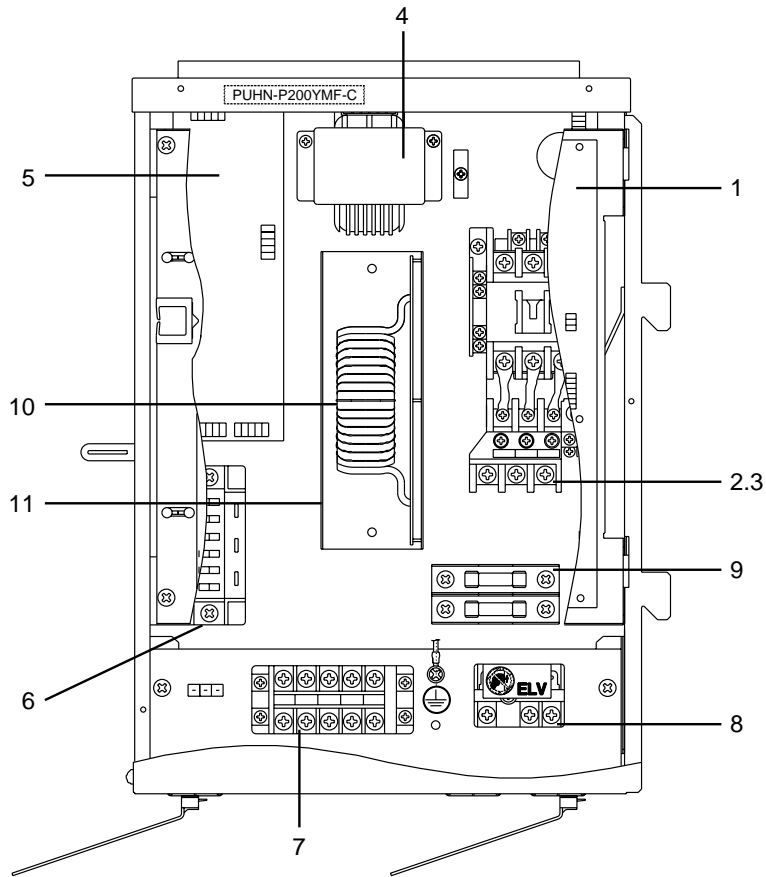
CONTROL BOX PARTS



No.	Part No.	Part Name	Spec.							Dwg. No.	Price
				-P200YMF-B	-P250YMF-B	-P200YMF-B-BS	-P250YMF-B-BS	-P200YMF-B-BF	-P250YMF-B-BF		
1	R61 Y58 280	Controller board		1	1	1	1	1	1	W266236G02	
2	R61 Y32 225	Magnetic starter	PAK-35JT-F	1		1		1		S427021H77	
3	R61 Y31 225	Magnetic starter	PAK-35JT-F		1		1		1	S427021H63	
4	R61 Y18 260	Transformer	230V/21.7V	1	1	1	1	1	1	P715326X01	
5	R61 Y47 280	FANCON board		1	1	1	1	1	1	W629556G01	
6	R61 Y07 320	SCR	PFB15AA120	1	1	1	1	1	1	S414032H01	
7	R61 Y02 246	Terminal bed	LVD	1	1	1	1	1	1	P436135X01	
8	R61 979 247	Terminal bed		1	1	1	1	1	1	P436110X01	
9	R61 Y04 241	Fuse	ATM8	2	2	2	2	2	2	S423005H01	
10	R61 Y06 293	NF	92110	1	1	1	1	1	1	P419153X02	
11	R61 Y01 131	Fixing plate		1	1	1	1	1	1	W880134H01	

PUHN-P200YMF-C (-BS,-BF)  
 PUHN-P250YMF-C (-BS,-BF)

CONTROL BOX PARTS



No.	Part No.	Part Name	Spec.							Dwg. No.	Price
				-P200YMF-C	-P250YMF-C	-P200YMF-C-BS	-P250YMF-C-BS	-P200YMF-C-BF	-P250YMF-C-BF		
1	R61 Y58 280	Controller board		1	1	1	1	1	1	W266236G02	
2	R61 Y32 225	Magnetic starter	PAK-35JT-F	1		1		1		S427021H77	
3	R61 Y31 225	Magnetic starter	PAK-35JT-F		1		1		1	S427021H63	
4	R61 Y18 260	Transformer	230V/21.7V	1	1	1	1	1	1	P715326X01	
5	R61 Y47 280	FANCON board		1	1	1	1	1	1	W629556G01	
6	R61 Y07 320	SCRM	PFB15AA120	1	1	1	1	1	1	S414032H01	
7	R61 Y02 246	Terminal bed	LVD	1	1	1	1	1	1	P436135X01	
8	R61 979 247	Terminal bed		1	1	1	1	1	1	P436110X01	
9	R61 Y04 241	Fuse	ATM8	2	2	2	2	2	2	S423005H01	
10	R61 Y06 293	NF	92110	1	1	1	1	1	1	P419153X02	
11	R61 Y01 131	Fixing plate		1	1	1	1	1	1	W880134H01	

