

# **SERVICE PARTS LIST FOR MITSUBISHI ELECTRIC PACKAGED AIR-CONDITIONERS**

**Series PUHN-YMF-B(-BS)**

**PUHN-YMF-C(-BS,-BF,-BFA)**

**REVISED**

**Mar. 2003**

## **INDEX**

**PUHN-200YMF-B**

**PUHN-250YMF-B**

**PUHN-200YMF-B-BS**

**PUHN-250YMF-B-BS**

**PUHN-200YMF-C**

**PUHN-250YMF-C**

**PUHN-200YMF-C-BS**

**PUHN-250YMF-C-BS**

**PUHN-200YMF-C-BF**

**PUHN-250YMF-C-BF**

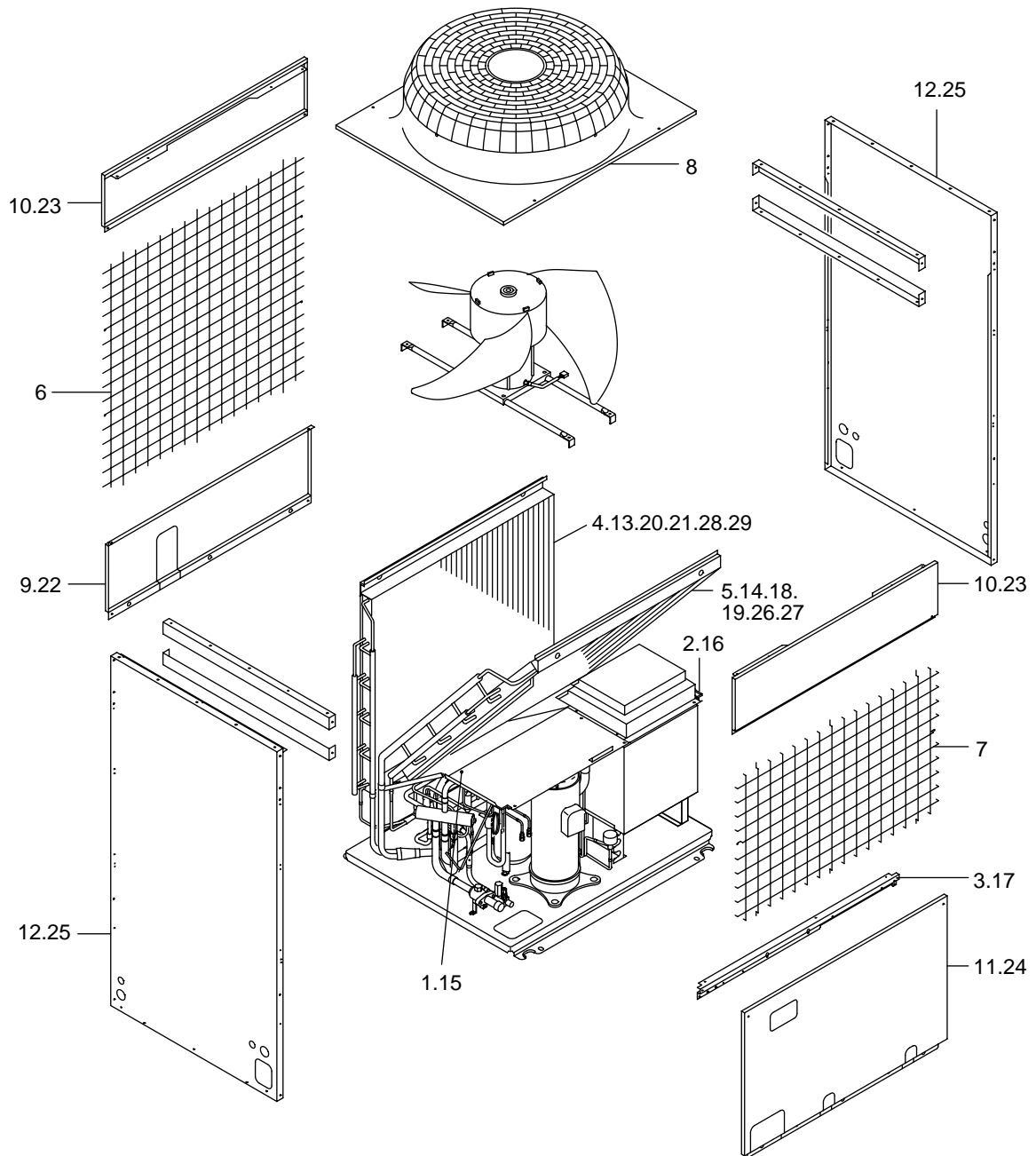
**PUHN-200YMF-C-BFA**

**PUHN-250YMF-C-BFA**



PUHN-200YMF-B(-BS)  
 PUHN-250YMF-B(-BS)  
 PUHN-200YMF-C(-BS,-BF,-BFA)  
 PUHN-250YMF-C(-BS,-BF,-BFA)

EXTERNAL PARTS

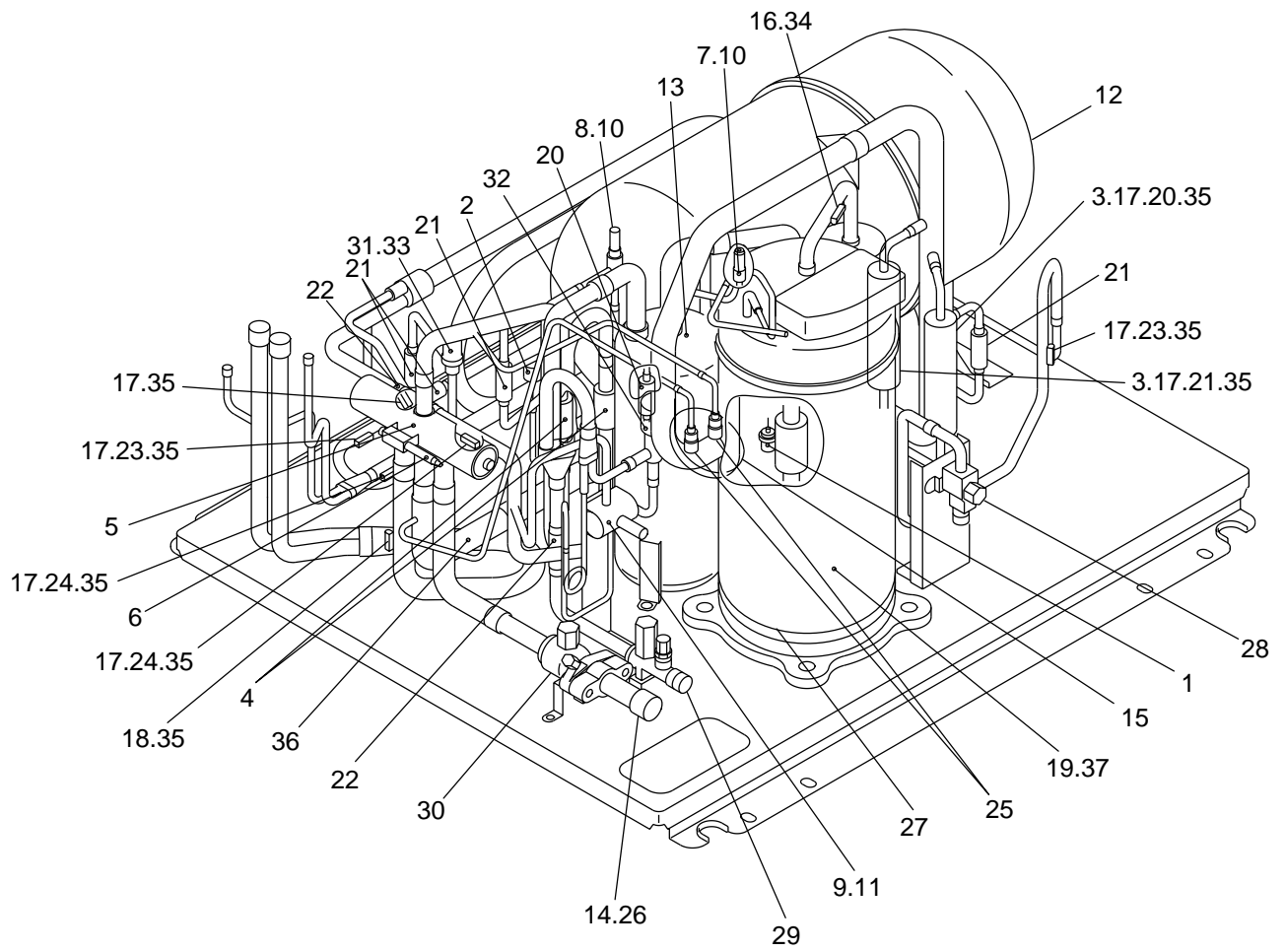




| No. | Part No.    | Part Name                  | Spec.         | -200YMF-C | -250YMF-C | -200YMF-C-BS | -250YMF-C-BS | -200YMF-C-BF | -250YMF-C-BF | -200YMF-C-BFA | -250YMF-C-BFA | Dwg. No.   | Price |
|-----|-------------|----------------------------|---------------|-----------|-----------|--------------|--------------|--------------|--------------|---------------|---------------|------------|-------|
|     |             |                            |               |           |           |              |              |              |              |               |               |            |       |
| 1   | R61 A64 667 | Partition board L ass'y    |               | 1         | 1         |              |              | 1            | 1            | 1             | 1             | W856139G34 |       |
| 2   | R61 F48 667 | Partition board R ass'y    |               | 1         | 1         |              |              | 1            | 1            | 1             | 1             | W856138G34 |       |
| 3   | R61 A42 659 | Front panel                |               | 1         | 1         |              |              | 1            | 1            | 1             | 1             | W615888H18 |       |
| 4   | R61 Y47 480 | Heat exchanger ass'y B(8)  |               | 1         |           |              |              |              |              |               |               | W265760G20 |       |
| 5   | R61 Y85 480 | Heat exchanger ass'y F(8)  |               | 1         |           |              |              |              |              |               |               | W265757G22 |       |
| 6   | R61 A42 638 | Guard B ass'y              |               | 1         | 1         | 1            | 1            | 1            | 1            | 1             | 1             | W265789G01 |       |
| 7   | R61 E66 611 | Guard F ass'y              |               | 1         | 1         | 1            | 1            | 1            | 1            | 1             | 1             | W265788G01 |       |
| 8   | R61 A52 118 | Fan guard                  | With the Drum | 1         | 1         | 1            | 1            | 1            | 1            | 1             | 1             | W123195G01 |       |
| 9   | R61 M43 677 | Panel B ass'y              |               | 1         | 1         |              |              | 1            | 1            | 1             | 1             | W857426G21 |       |
| 10  | R61 L78 653 | Panel FU                   |               | 2         | 2         |              |              | 2            | 2            | 2             | 2             | W633746H06 |       |
| 11  | R61 Y13 652 | Panel F                    |               | 1         | 1         |              |              | 1            | 1            | 1             | 1             | W857425G26 |       |
| 12  | R61 N78 661 | Panel S                    |               | 2         | 2         |              |              | 2            | 2            | 2             | 2             | W272421H01 |       |
| 13  | R61 Y48 480 | Heat exchanger ass'y B(10) |               | 1         |           |              |              |              |              |               |               | W265761G30 |       |
| 14  | R61 Y50 480 | Heat exchanger ass'y F(10) |               | 1         |           |              |              |              |              |               |               | W265759G31 |       |
| 15  | R61 A67 667 | Partition board L ass'y    |               |           |           | 1            | 1            |              |              |               |               | W856139G27 |       |
| 16  | R61 F49 667 | Partition board R ass'y    |               |           |           | 1            | 1            |              |              |               |               | W856138G27 |       |
| 17  | R61 A43 659 | Front panel                |               |           |           | 1            | 1            |              |              |               |               | W615888G09 |       |
| 18  | R61 G48 481 | Heat exchanger ass'y F(8)  |               |           |           | 1            |              |              |              |               |               | W265757G26 |       |
| 19  | R61 G50 481 | Heat exchanger ass'y F(10) |               |           |           |              |              | 1            |              |               |               | W265759G37 |       |
| 20  | R61 G48 480 | Heat exchanger ass'y B(8)  |               |           |           | 1            |              |              |              |               |               | W265760G23 |       |
| 21  | R61 G50 480 | Heat exchanger ass'y B(10) |               |           |           |              |              | 1            |              |               |               | W265761G35 |       |
| 22  | R61 M44 677 | Panel B ass'y              |               |           |           | 1            | 1            |              |              |               |               | W857426G28 |       |
| 23  | R61 N78 653 | Panel FU                   |               |           |           | 2            | 2            |              |              |               |               | W633746G06 |       |
| 24  | R61 Y14 652 | Panel F                    |               |           |           | 1            | 1            |              |              |               |               | W857425G38 |       |
| 25  | R61 N78 662 | Panel S                    |               |           |           | 2            | 2            |              |              |               |               | W272421G02 |       |
| 26  | R61 Y75 480 | Heat exchanger ass'y F(16) |               |           |           |              |              | 1            | 1            |               |               | W265757G27 |       |
| 27  | R61 Y76 480 | Heat exchanger ass'y F(20) |               |           |           |              |              | 1            | 1            |               |               | W265759G38 |       |
| 28  | R61 Y77 480 | Heat exchanger ass'y B(16) |               |           |           |              |              | 1            | 1            |               |               | W265760G24 |       |
| 29  | R61 Y78 480 | Heat exchanger ass'y B(20) |               |           |           |              |              | 1            | 1            |               |               | W265761G36 |       |
|     |             |                            |               |           |           |              |              |              |              |               |               |            |       |
|     |             |                            |               |           |           |              |              |              |              |               |               |            |       |
|     |             |                            |               |           |           |              |              |              |              |               |               |            |       |
|     |             |                            |               |           |           |              |              |              |              |               |               |            |       |
|     |             |                            |               |           |           |              |              |              |              |               |               |            |       |
|     |             |                            |               |           |           |              |              |              |              |               |               |            |       |
|     |             |                            |               |           |           |              |              |              |              |               |               |            |       |
|     |             |                            |               |           |           |              |              |              |              |               |               |            |       |
|     |             |                            |               |           |           |              |              |              |              |               |               |            |       |
|     |             |                            |               |           |           |              |              |              |              |               |               |            |       |
|     |             |                            |               |           |           |              |              |              |              |               |               |            |       |
|     |             |                            |               |           |           |              |              |              |              |               |               |            |       |
|     |             |                            |               |           |           |              |              |              |              |               |               |            |       |
|     |             |                            |               |           |           |              |              |              |              |               |               |            |       |
|     |             |                            |               |           |           |              |              |              |              |               |               |            |       |
|     |             |                            |               |           |           |              |              |              |              |               |               |            |       |
|     |             |                            |               |           |           |              |              |              |              |               |               |            |       |
|     |             |                            |               |           |           |              |              |              |              |               |               |            |       |
|     |             |                            |               |           |           |              |              |              |              |               |               |            |       |

PUHN-200YMF-B(-BS)  
PUHN-250YMF-B(-BS)

FUNCTIONAL PARTS



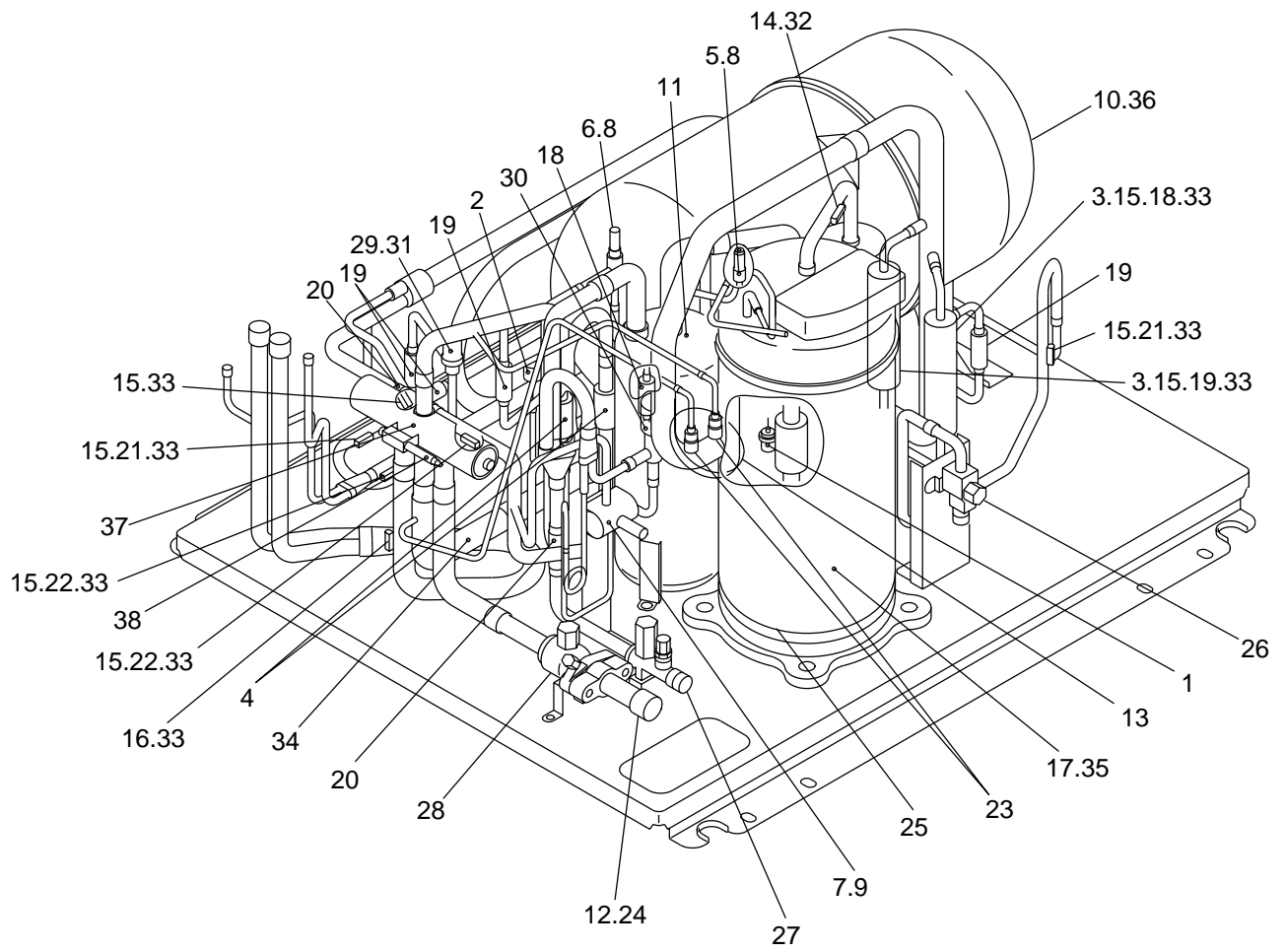
PUHN-200YMF-B(-BS)  
 PUHN-250YMF-B(-BS)

FUNCTIONAL PARTS

| No. | Part No.    | Part Name                     | Spec.                   | -200YMF-B | -250YMF-B | -200YMF-B-BS | -250YMF-B-BS |  |  | Dwg. No.   | Price |
|-----|-------------|-------------------------------|-------------------------|-----------|-----------|--------------|--------------|--|--|------------|-------|
| 1   | R61 Y06 208 | Pressure switch               | <63H1>                  | 1         | 1         | 1            | 1            |  |  | P426258X02 |       |
| 2   | R61 G35 288 | Pressure sensor               | <63LS>                  | 1         | 1         | 1            | 1            |  |  | P419129X01 |       |
| 3   | R61 Y01 237 | Liquid level detecting heater | <CH2,3>                 | 1         | 1         | 1            | 1            |  |  | P493553X02 |       |
| 4   | R61 436 418 | Check valve                   |                         | 2         | 2         | 2            | 2            |  |  | P639808X01 |       |
| 5   | R61 Y02 154 | Four way valve                | With a coil             | 1         | 1         | 1            | 1            |  |  | W893224G01 |       |
| 6   | R61 Y10 242 | Four way valve coil           | <21S4>                  | 1         | 1         | 1            | 1            |  |  | W893225G01 |       |
| 7   | R61 435 232 | Solenoid valve                | NEV202DXF               | 1         | 1         | 1            | 1            |  |  | P631807X02 |       |
| 8   | R61 800 232 | Solenoid valve                | NEV603DXF               | 1         | 1         | 1            | 1            |  |  | P631805X01 |       |
| 9   | R61 449 232 | Solenoid valve                | SB18PF-M                | 1         | 1         | 1            | 1            |  |  | P631818X03 |       |
| 10  | R61 Y04 243 | Solenoid valve coil type NEV  | <SV1,4>                 | 2         | 2         | 2            | 2            |  |  | P631205X01 |       |
| 11  | R61 Y03 232 | Solenoid valve coil type SB18 | <SV5b>                  | 1         | 1         | 1            | 1            |  |  | P631246X01 |       |
| 12  | R61 Y24 484 | Accumulator ass'y             |                         | 1         | 1         | 1            | 1            |  |  | W266582G04 |       |
| 13  | R61 Y06 487 | Oil separator ass'y           |                         | 1         | 1         | 1            | 1            |  |  | W266570G02 |       |
| 14  | R61 E91 494 | Pipe ass'y                    |                         | 1         | 1         | 1            | 1            |  |  | W619465G05 |       |
| 15  | R61 F48 425 | Capillary tube ass'y          | 1.2X3.0-1000            | 1         | 1         | 1            | 1            |  |  | W864648G02 |       |
| 16  | R61 911 202 | Thermistor                    | <TH11>                  | 1         | 1         | 1            | 1            |  |  | P425416X02 |       |
| 17  | R61 670 202 | Thermistor                    | (NTH3A14) <TH3-9,TH10b> | 8         | 8         | 8            | 8            |  |  | P425496X01 |       |
| 18  | R61 800 202 | Thermistor                    | (NTH3A23-3) <TH10a>     | 1         | 1         | 1            | 1            |  |  | P425494X01 |       |
| 19  | R69 954 478 | Scroll compressor             | ZH133YDA1               | 1         |           | 1            |              |  |  | EP10017G05 |       |
| 20  | R61 155 454 | Strainer                      | 6.35D                   | 2         | 2         | 2            | 2            |  |  | W882822G01 |       |
| 21  | R61 A42 454 | Strainer                      | 9.52D                   | 5         | 5         | 5            | 5            |  |  | W882823G01 |       |
| 22  | R61 Y02 454 | Strainer                      |                         | 2         | 2         | 2            | 2            |  |  | W858399G02 |       |
| 23  | R61 A45 287 | Sensor cover                  | (EVA)12.7D              | 2         | 2         | 2            | 2            |  |  | P227171X01 |       |
| 24  | R61 A43 287 | Sensor cover                  | (EVA)16D                | 2         | 2         | 2            | 2            |  |  | P227172X01 |       |
| 25  | R61 800 413 | Charging plug                 |                         | 2         | 2         | 2            | 2            |  |  | A50U666H04 |       |
| 26  | R61 F14 514 | Packing                       |                         | 1         | 1         | 1            | 1            |  |  | P321009X01 |       |
| 27  | R61 Y08 237 | Belt heater                   | 240V 56W <CH11>         | 1         | 1         | 1            | 1            |  |  | P493782X01 |       |
| 28  | R61 F48 410 | Ball valve                    | 1/2                     | 1         | 1         | 1            | 1            |  |  | P636222X01 |       |
| 29  | R61 694 410 | Ball valve                    | 1/2                     | 1         | 1         | 1            | 1            |  |  | P636175X01 |       |
| 30  | R61 A64 410 | Ball valve                    |                         | 1         | 1         | 1            | 1            |  |  | P636271X01 |       |
| 31  | R61 G48 401 | Linear expansion valve        | DKV-18D124 <LEV1>       | 1         | 1         | 1            | 1            |  |  | P632342X01 |       |
| 32  | R61 256 401 | Linear expansion valve        | (EDM-804) <LEV2>        | 1         | 1         | 1            | 1            |  |  | P632292X01 |       |
| 33  | R61 A45 401 | Linear expansion valve coil   | (Red) <LEV1>            | 1         | 1         | 1            | 1            |  |  | P632299X01 |       |
| 34  | R11 347 865 | L.TH spring                   |                         | 1         | 1         | 1            | 1            |  |  | U38D120H03 |       |
| 35  | R13 658 276 | TH spring                     |                         | 8         | 8         | 8            | 8            |  |  | C38D815H01 |       |
| 36  | R61 G49 494 | Pipe                          |                         | 1         | 1         | 1            | 1            |  |  | W864478H03 |       |
| 37  | R69 956 478 | Scroll compressor             | ZH165YDA1               |           | 1         |              | 1            |  |  | EP10028G07 |       |
|     |             |                               |                         |           |           |              |              |  |  |            |       |
|     |             |                               |                         |           |           |              |              |  |  |            |       |
|     |             |                               |                         |           |           |              |              |  |  |            |       |
|     |             |                               |                         |           |           |              |              |  |  |            |       |
|     |             |                               |                         |           |           |              |              |  |  |            |       |
|     |             |                               |                         |           |           |              |              |  |  |            |       |
|     |             |                               |                         |           |           |              |              |  |  |            |       |
|     |             |                               |                         |           |           |              |              |  |  |            |       |

PUHN-200YMF-C(-BS,-BF,-BFA)  
PUHN-250YMF-C(-BS,-BF,-BFA)

FUNCTIONAL PARTS

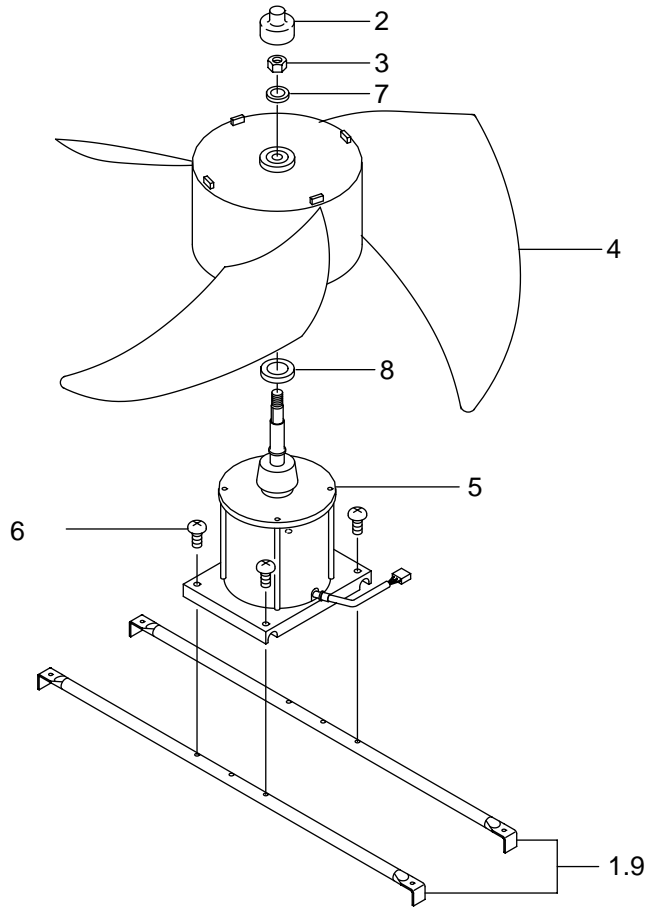


| No. | Part No.    | Part Name                     | Spec.                  | -200YMF-C | -250YMF-C | -200YMF-C-BS | -250YMF-C-BS | -200YMF-C-BF | -250YMF-C-BF | -200YMF-C-BFA | -250YMF-C-BFA | Dwg. No.   | Price |
|-----|-------------|-------------------------------|------------------------|-----------|-----------|--------------|--------------|--------------|--------------|---------------|---------------|------------|-------|
|     |             |                               |                        |           |           |              |              |              |              |               |               |            |       |
| 1   | R61 Y06 208 | Pressure switch               | <63H1>                 | 1         | 1         | 1            | 1            | 1            | 1            | 1             | 1             | P426258X02 |       |
| 2   | R61 G35 288 | Pressure sensor               | <63LS>                 | 1         | 1         | 1            | 1            | 1            | 1            | 1             | 1             | P419129X01 |       |
| 3   | R61 Y01 237 | Liquid level detecting heater | <CH2,3>                | 1         | 1         | 1            | 1            | 1            | 1            | 1             | 1             | P493553X02 |       |
| 4   | R61 436 418 | Check valve                   |                        | 2         | 2         | 2            | 2            | 2            | 2            | 2             | 2             | P639808X01 |       |
| 5   | R61 435 232 | Solenoid valve                | NEV202DXF              | 1         | 1         | 1            | 1            | 1            | 1            | 1             | 1             | P631807X02 |       |
| 6   | R61 800 232 | Solenoid valve                | NEV603DXF              | 1         | 1         | 1            | 1            | 1            | 1            | 1             | 1             | P631805X01 |       |
| 7   | R61 449 232 | Solenoid valve                | SB18PF-M               | 1         | 1         | 1            | 1            | 1            | 1            | 1             | 1             | P631818X03 |       |
| 8   | R61 Y04 243 | Solenoid valve coil type NEV  | <SV1,4>                | 2         | 2         | 2            | 2            | 2            | 2            | 2             | 2             | P631205X01 |       |
| 9   | R61 Y03 232 | Solenoid valve coil type SB18 | <SV5b>                 | 1         | 1         | 1            | 1            | 1            | 1            | 1             | 1             | P631246X01 |       |
| 10  | R61 Y24 484 | Accumulator ass'y             |                        | 1         | 1         | 1            | 1            |              |              | 1             | 1             | W266582G04 |       |
| 11  | R61 Y06 487 | Oil separator ass'y           |                        | 1         | 1         | 1            | 1            | 1            | 1            | 1             | 1             | W266570G02 |       |
| 12  | R61 E91 494 | Pipe ass'y                    |                        | 1         | 1         | 1            | 1            | 1            | 1            | 1             | 1             | W619465G05 |       |
| 13  | R61 F48 425 | Capillary tube ass'y          | 1.2X3.0-1000           | 1         | 1         | 1            | 1            | 1            | 1            | 1             | 1             | W864648G02 |       |
| 14  | R61 911 202 | Thermistor                    | <TH11>                 | 1         | 1         | 1            | 1            | 1            | 1            | 1             | 1             | P425416X02 |       |
| 15  | R61 670 202 | Thermistor                    | (NTH3A14)<TH3-9,TH10b> | 8         | 8         | 8            | 8            | 8            | 8            | 8             | 8             | P425496X01 |       |
| 16  | R61 800 202 | Thermistor                    | (NTH3A23-3)<TH10a>     | 1         | 1         | 1            | 1            | 1            | 1            | 1             | 1             | P425494X01 |       |
| 17  | R69 954 478 | Scroll compressor             | ZH133YDA1              | 1         | 1         |              |              | 1            | 1            |               |               | EP10017G05 |       |
| 18  | R61 155 454 | Strainer                      | 6.35D                  | 2         | 2         | 2            | 2            | 2            | 2            | 2             | 2             | W882822G01 |       |
| 19  | R61 A42 454 | Strainer                      | 9.52D                  | 5         | 5         | 5            | 5            | 5            | 5            | 5             | 5             | W882823G01 |       |
| 20  | R61 Y02 454 | Strainer                      |                        | 2         | 2         | 2            | 2            | 2            | 2            | 2             | 2             | W858399G02 |       |
| 21  | R61 A45 287 | Sensor cover                  | (EVA)12.7D             | 2         | 2         | 2            | 2            | 2            | 2            | 2             | 2             | P227171X01 |       |
| 22  | R61 A43 287 | Sensor cover                  | (EVA)16D               | 2         | 2         | 2            | 2            | 2            | 2            | 2             | 2             | P227172X01 |       |
| 23  | R61 800 413 | Charging plug                 |                        | 2         | 2         | 2            | 2            | 2            | 2            | 2             | 2             | A50U666H04 |       |
| 24  | R61 F14 514 | Packing                       |                        | 1         | 1         | 1            | 1            | 1            | 1            | 1             | 1             | P321009X01 |       |
| 25  | R61 Y08 237 | Belt heater                   | 2140V 56W<CH11>        | 1         | 1         | 1            | 1            | 1            | 1            | 1             | 1             | P493782X01 |       |
| 26  | R61 F48 410 | Ball valve                    | 1/2                    | 1         | 1         | 1            | 1            | 1            | 1            | 1             | 1             | P636222X01 |       |
| 27  | R61 694 410 | Ball valve                    | 1/2                    | 1         | 1         | 1            | 1            | 1            | 1            | 1             | 1             | P636175X01 |       |
| 28  | R61 Y07 410 | Ball valve                    |                        | 1         | 1         | 1            | 1            | 1            | 1            | 1             | 1             | P636271X01 |       |
| 29  | R61 G48 401 | Linear expansion valve        | DKV-18D124<LEV1>       | 1         | 1         | 1            | 1            | 1            | 1            | 1             | 1             | P632342X01 |       |
| 30  | R61 256 401 | Linear expansion valve        | (EDM-804)<LEV2>        | 1         | 1         | 1            | 1            | 1            | 1            | 1             | 1             | P632292X01 |       |
| 31  | R61 A45 401 | Linear expansion valve coil   | (Red)<LEV1>            | 1         | 1         | 1            | 1            | 1            | 1            | 1             | 1             | P632299X01 |       |
| 32  | R11 347 865 | L.TH spring                   |                        | 1         | 1         | 1            | 1            | 1            | 1            | 1             | 1             | U38D120H03 |       |
| 33  | R13 658 276 | TH spring                     |                        | 8         | 8         | 8            | 8            | 8            | 8            | 8             | 8             | C38D815H01 |       |
| 34  | R61 G49 494 | Pipe                          |                        | 1         | 1         | 1            | 1            | 1            | 1            | 1             | 1             | W864478H03 |       |
| 35  | R69 956 478 | Scroll compressor             | ZH165YDA1              |           | 1         |              |              | 1            | 1            |               |               | EP10028G07 |       |
| 36  | R61 Y17 484 | Accumulator                   |                        |           |           |              |              | 1            | 1            |               |               | W650658G01 |       |
| 37  | R61 E37 154 | Four way valve                |                        | 1         | 1         | 1            | 1            | 1            | 1            | 1             | 1             | P633101X01 |       |
| 38  | R61 Y03 242 | Four way valve coil           | <21S4>                 | 1         | 1         | 1            | 1            | 1            | 1            | 1             | 1             | P633078X01 |       |
|     |             |                               |                        |           |           |              |              |              |              |               |               |            |       |
|     |             |                               |                        |           |           |              |              |              |              |               |               |            |       |
|     |             |                               |                        |           |           |              |              |              |              |               |               |            |       |
|     |             |                               |                        |           |           |              |              |              |              |               |               |            |       |
|     |             |                               |                        |           |           |              |              |              |              |               |               |            |       |
|     |             |                               |                        |           |           |              |              |              |              |               |               |            |       |
|     |             |                               |                        |           |           |              |              |              |              |               |               |            |       |
|     |             |                               |                        |           |           |              |              |              |              |               |               |            |       |



PUHN-200YMF-B(-BS)  
 PUHN-250YMF-B(-BS)

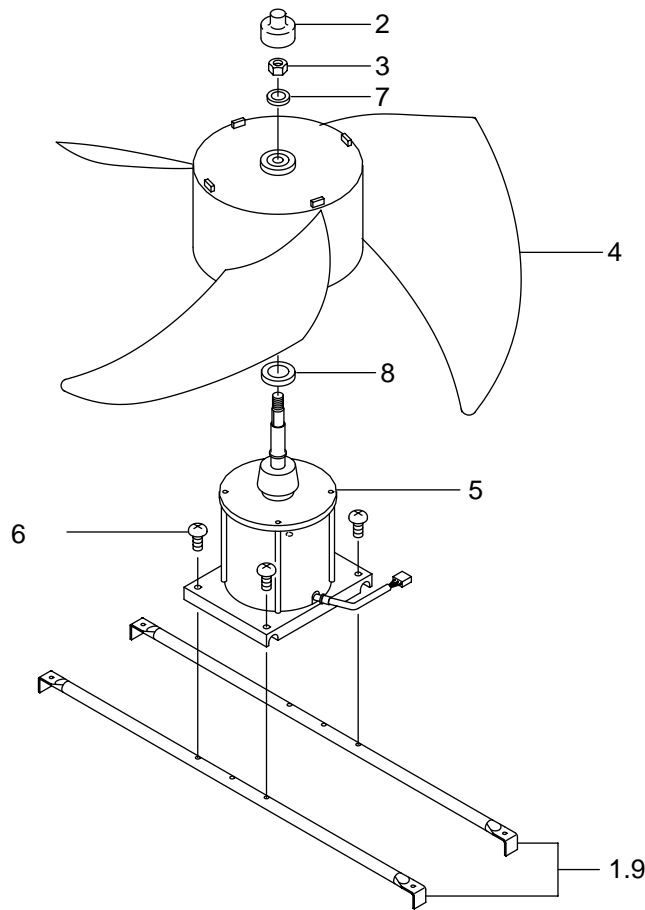
BLOWER PARTS



| No. | Part No.    | Part Name     | Spec.        | -200YMF-B | -250YMF-B | -200YMF-B+BS | -250YMF-B+BS |  |  | Dwg. No.   | Price |
|-----|-------------|---------------|--------------|-----------|-----------|--------------|--------------|--|--|------------|-------|
| 1   | R61 A42 140 | Fan stand     |              | 2         | 2         |              |              |  |  | W856127G05 |       |
| 2   | R61 A69 086 | Cap           |              | 1         | 1         | 1            | 1            |  |  | P221056X01 |       |
| 3   | R61 A42 122 | Nut 16        |              | 1         | 1         | 1            | 1            |  |  | P541016X01 |       |
| 4   | R61 E66 115 | Propeller fan | 750D         | 1         | 1         | 1            | 1            |  |  | W872619G01 |       |
| 5   | R61 Y84 220 | Motor         | (NFS-3508J1) | 1         | 1         | 1            | 1            |  |  | P714535X03 |       |
| 6   | R61 E90 087 | Screw         | 6X14         | 4         | 4         | 4            | 4            |  |  | P521020X01 |       |
| 7   | R61 A42 136 | Washer        | 17X32        | 1         | 1         | 1            | 1            |  |  | P562006X01 |       |
| 8   | R61 A45 136 | Washer        | 20.5X40      | 1         | 1         | 1            | 1            |  |  | P562007X01 |       |
| 9   | R61 A43 140 | Fan stand     |              |           |           | 2            | 2            |  |  | W856127G06 |       |
|     |             |               |              |           |           |              |              |  |  |            |       |
|     |             |               |              |           |           |              |              |  |  |            |       |
|     |             |               |              |           |           |              |              |  |  |            |       |
|     |             |               |              |           |           |              |              |  |  |            |       |
|     |             |               |              |           |           |              |              |  |  |            |       |
|     |             |               |              |           |           |              |              |  |  |            |       |
|     |             |               |              |           |           |              |              |  |  |            |       |
|     |             |               |              |           |           |              |              |  |  |            |       |
|     |             |               |              |           |           |              |              |  |  |            |       |
|     |             |               |              |           |           |              |              |  |  |            |       |
|     |             |               |              |           |           |              |              |  |  |            |       |

PUHN-200YMF-C(-BS,-BF,-BFA)  
 PUHN-250YMF-C(-BS,-BF,-BFA)

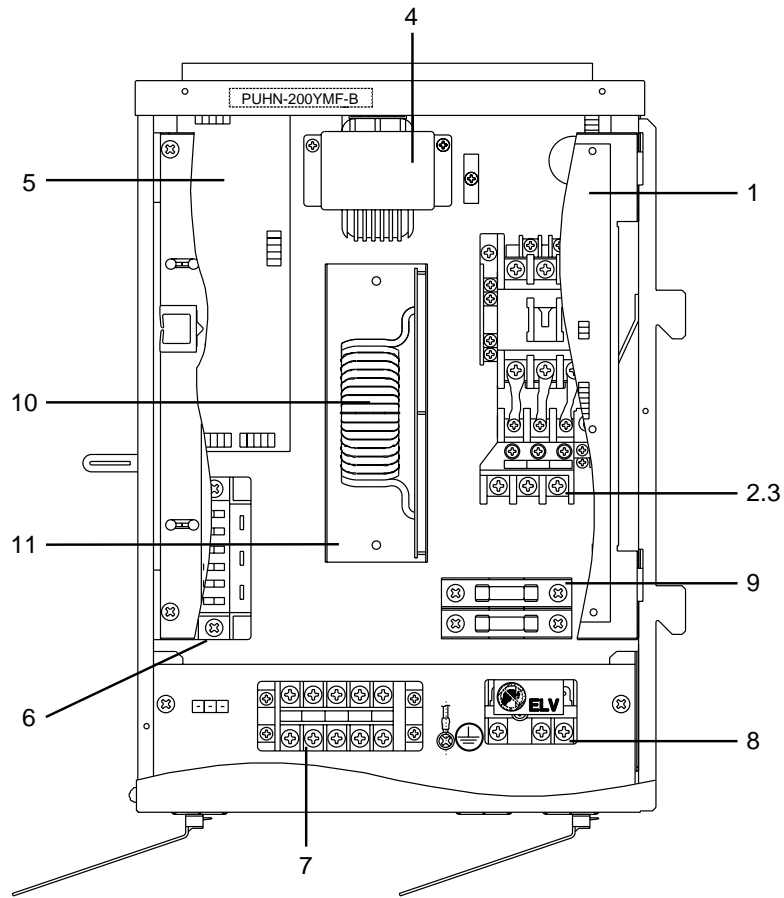
BLOWER PARTS



| No. | Part No.    | Part Name     | Spec.   | -200YMF-C | -250YMF-C | -200YMF-C-BS | -250YMF-C-BS | -200YMF-C-BF | -250YMF-C-BF | -200YMF-C-BFA | -250YMF-C-BFA | Dwg. No.   | Price |
|-----|-------------|---------------|---------|-----------|-----------|--------------|--------------|--------------|--------------|---------------|---------------|------------|-------|
|     |             |               |         |           |           |              |              |              |              |               |               |            |       |
| 1   | R61 A42 140 | Fan stand     |         | 2         | 2         |              |              | 2            | 2            | 2             | 2             | W856127G05 |       |
| 2   | R61 A69 086 | Cap           |         | 1         | 1         | 1            | 1            | 1            | 1            | 1             | 1             | P221056X01 |       |
| 3   | R61 A42 122 | Nut 16        |         | 1         | 1         | 1            | 1            | 1            | 1            | 1             | 1             | P541016X01 |       |
| 4   | R61 E66 115 | Propeller fan | 750D    | 1         | 1         | 1            | 1            | 1            | 1            | 1             | 1             | W872619G01 |       |
| 5   | R61 Y33 221 | Motor         |         | 1         | 1         | 1            | 1            | 1            | 1            | 1             | 1             | P714762X01 |       |
| 6   | R61 E90 087 | Screw         | 6X14    | 4         | 4         | 4            | 4            | 4            | 4            | 4             | 4             | P521020X01 |       |
| 7   | R61 A42 136 | Washer        | 17X32   | 1         | 1         | 1            | 1            | 1            | 1            | 1             | 1             | P562006X01 |       |
| 8   | R61 A45 136 | Washer        | 20.5X40 | 1         | 1         | 1            | 1            | 1            | 1            | 1             | 1             | P562007X01 |       |
| 9   | R61 A43 140 | Fan stand     |         |           |           | 2            | 2            |              |              |               |               | W856127G06 |       |
|     |             |               |         |           |           |              |              |              |              |               |               |            |       |
|     |             |               |         |           |           |              |              |              |              |               |               |            |       |
|     |             |               |         |           |           |              |              |              |              |               |               |            |       |
|     |             |               |         |           |           |              |              |              |              |               |               |            |       |
|     |             |               |         |           |           |              |              |              |              |               |               |            |       |
|     |             |               |         |           |           |              |              |              |              |               |               |            |       |
|     |             |               |         |           |           |              |              |              |              |               |               |            |       |
|     |             |               |         |           |           |              |              |              |              |               |               |            |       |
|     |             |               |         |           |           |              |              |              |              |               |               |            |       |
|     |             |               |         |           |           |              |              |              |              |               |               |            |       |
|     |             |               |         |           |           |              |              |              |              |               |               |            |       |

PUHN-200YMF-B(-BS)  
 PUHN-250YMF-B(-BS)

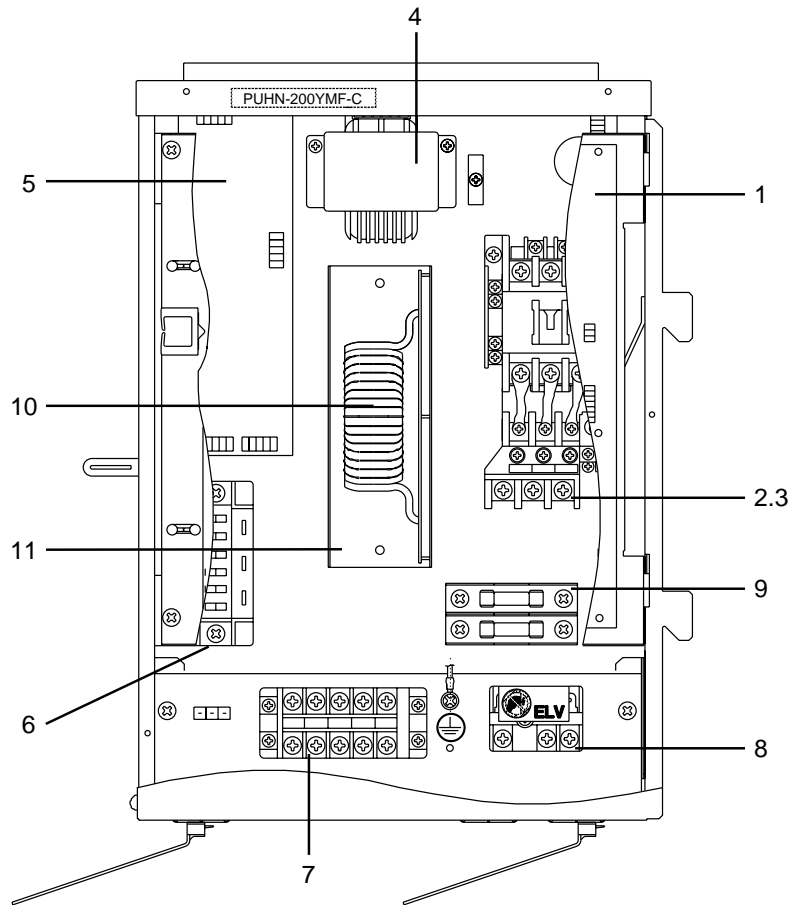
CONTROL BOX PARTS



| No. | Part No.    | Part Name        | Spec.      |           |           |              |              | Dwg. No.   | Price |
|-----|-------------|------------------|------------|-----------|-----------|--------------|--------------|------------|-------|
|     |             |                  |            | -200YMF-B | -250YMF-B | -200YMF-B-BS | -250YMF-B-BS |            |       |
| 1   | R61 Y58 280 | Controller board |            | 1         | 1         | 1            | 1            | W266236G02 |       |
| 2   | R61 Y32 225 | Magnetic starter | PAK-35JT-F | 1         |           | 1            |              | S427021H77 |       |
| 3   | R61 Y31 225 | Magnetic starter | PAK-35JT-F |           | 1         |              | 1            | S427021H63 |       |
| 4   | R61 Y18 260 | Transformer      | 230V/21.7V | 1         | 1         | 1            | 1            | P715326X01 |       |
| 5   | R61 Y47 280 | FANCON board     |            | 1         | 1         | 1            | 1            | W629556G01 |       |
| 6   | R61 Y07 320 | SCRM             | PFB15AA120 | 1         | 1         | 1            | 1            | S414032H01 |       |
| 7   | R61 Y02 246 | Terminal bed     | LVD        | 1         | 1         | 1            | 1            | P436135X01 |       |
| 8   | R61 979 247 | Terminal bed     |            | 1         | 1         | 1            | 1            | P436110X01 |       |
| 9   | R61 Y04 241 | Fuse             | ATM8       | 2         | 2         | 2            | 2            | S423005H01 |       |
| 10  | R61 Y06 293 | N/F              | 92110      | 1         | 1         | 1            | 1            | P419153X02 |       |
| 11  | R61 Y01 131 | Fixing plate     |            | 1         | 1         | 1            | 1            | W880134H01 |       |
|     |             |                  |            |           |           |              |              |            |       |
|     |             |                  |            |           |           |              |              |            |       |
|     |             |                  |            |           |           |              |              |            |       |
|     |             |                  |            |           |           |              |              |            |       |
|     |             |                  |            |           |           |              |              |            |       |
|     |             |                  |            |           |           |              |              |            |       |
|     |             |                  |            |           |           |              |              |            |       |
|     |             |                  |            |           |           |              |              |            |       |
|     |             |                  |            |           |           |              |              |            |       |
|     |             |                  |            |           |           |              |              |            |       |
|     |             |                  |            |           |           |              |              |            |       |
|     |             |                  |            |           |           |              |              |            |       |
|     |             |                  |            |           |           |              |              |            |       |
|     |             |                  |            |           |           |              |              |            |       |
|     |             |                  |            |           |           |              |              |            |       |

PUHN-200YMF-C(-BS,-BF,-BFA)  
 PUHN-250YMF-C(-BS,-BF,-BFA)

CONTROL BOX PARTS



| No. | Part No.    | Part Name        | Spec.      |           |           |              |              |              |              |               |               | Dwg. No. | Price      |  |
|-----|-------------|------------------|------------|-----------|-----------|--------------|--------------|--------------|--------------|---------------|---------------|----------|------------|--|
|     |             |                  |            | -200YMF-C | -250YMF-C | -200YMF-C-BS | -250YMF-C-BS | -200YMF-C-BF | -250YMF-C-BF | -200YMF-C-BFA | -250YMF-C-BFA |          |            |  |
| 1   | R61 Y58 280 | Controller board |            | 1         | 1         | 1            | 1            | 1            | 1            | 1             | 1             | 1        | W266236G02 |  |
| 2   | R61 Y32 225 | Magnetic starter | PAK-35JT-F | 1         |           | 1            |              | 1            |              | 1             |               | 1        | S427021H77 |  |
| 3   | R61 Y31 225 | Magnetic starter | PAK-35JT-F |           | 1         |              | 1            |              | 1            |               | 1             |          | S427021H63 |  |
| 4   | R61 Y18 260 | Transformer      | 230V/21.7V | 1         | 1         | 1            | 1            | 1            | 1            | 1             | 1             | 1        | P715326X01 |  |
| 5   | R61 Y47 280 | FANCON board     |            | 1         | 1         | 1            | 1            | 1            | 1            | 1             | 1             | 1        | W629556G01 |  |
| 6   | R61 Y07 320 | SCRM             | PFB15AA120 | 1         | 1         | 1            | 1            | 1            | 1            | 1             | 1             | 1        | S414032H01 |  |
| 7   | R61 Y02 246 | Terminal bed     | LVD        | 1         | 1         | 1            | 1            | 1            | 1            | 1             | 1             | 1        | P436135X01 |  |
| 8   | R61 979 247 | Terminal bed     |            | 1         | 1         | 1            | 1            | 1            | 1            | 1             | 1             | 1        | P436110X01 |  |
| 9   | R61 Y04 241 | Fuse             | ATM8       | 2         | 2         | 2            | 2            | 2            | 2            | 2             | 2             | 2        | S423005H01 |  |
| 10  | R61 Y06 293 | N/F              | 92110      | 1         | 1         | 1            | 1            | 1            | 1            | 1             | 1             | 1        | P419153X02 |  |
| 11  | R61 Y01 131 | Fixing plate     |            | 1         | 1         | 1            | 1            | 1            | 1            | 1             | 1             | 1        | W880134H01 |  |
|     |             |                  |            |           |           |              |              |              |              |               |               |          |            |  |
|     |             |                  |            |           |           |              |              |              |              |               |               |          |            |  |
|     |             |                  |            |           |           |              |              |              |              |               |               |          |            |  |
|     |             |                  |            |           |           |              |              |              |              |               |               |          |            |  |
|     |             |                  |            |           |           |              |              |              |              |               |               |          |            |  |
|     |             |                  |            |           |           |              |              |              |              |               |               |          |            |  |
|     |             |                  |            |           |           |              |              |              |              |               |               |          |            |  |
|     |             |                  |            |           |           |              |              |              |              |               |               |          |            |  |
|     |             |                  |            |           |           |              |              |              |              |               |               |          |            |  |
|     |             |                  |            |           |           |              |              |              |              |               |               |          |            |  |

