

Air-Conditioners For Building Application INDOOR UNIT

CE

PEFY-P-VML-A

PLFY-P-VLMD-A

PEFY-P-VMM-A

PDFY-P-VM-A

PEFY-P-VMH-A

PFFY-P-VLEM-A

PFFY-P-VLRM-A

OPERATION MANUAL

For safe and correct use, please read this operation manual thoroughly before operating the air-conditioner unit.

BEDIENUNGSHANDBUCH

Zum sicheren und einwandfreien Gebrauch der Klimaanlage dieses Bedienungshandbuch vor Inbetriebnahme gründlich durchlesen.

MANUEL D'UTILISATION

Pour une utilisation correcte sans risques, veuillez lire le manuel d'utilisation en entier avant de vous servir du climatiseur.

MANUAL DE INSTRUCCIONES

Lea este manual de instrucciones hasta el final antes de poner en marcha la unidad de aire acondicionado para garantizar un uso seguro y correcto.

ISTRUZIONI DI FUNZIONAMENTO

Leggere attentamente questi istruzioni di funzionamento prima di avviare l'unità, per un uso corretto e sicuro della stessa.

BEDIENINGSHANDLEIDING

Voor een veilig en juist gebruik moet u deze bedieningshandleiding grondig doorlezen voordat u de airconditioner gebruikt.

MANUAL DE OPERAÇÃO

Para segurança e utilização correctas, leia atentamente o manual de operação antes de pôr a funcionar a unidade de ar condicionado.

ΕΓΧΕΙΡΙΔΙΟ ΟΔΗΓΙΩΝ ΧΡΗΣΕΩΣ

Για ασφάλεια και σωστή χρήση, παρακαλείσθε διαβάσετε προσεχτικά αυτό το εγχειρίδιο χρήσεως πριν θέσετε σε λειτουργία τη μονάδα κλιματισμού.

РУКОВОДСТВО ПО ЭКСПЛУАТАЦИИ

Для обеспечения правильного и безопасного использования следует ознакомиться с инструкциями, указанными в данном руководстве по эксплуатации, тщательным образом до того, как приступить к использованию кондиционера.

İŞLETME ELKİTABI

Emniyetli ve doğru biçimde nasıl kullanılacağını öğrenmek için lütfen klima cihazını işletmeden önce bu elkitabını dikkatle okuyunuz.

操作手册

为了确保安全和正确使用，请在使用空调器之前仔细阅读本操作手册。

GB

D

F

E

I

NL

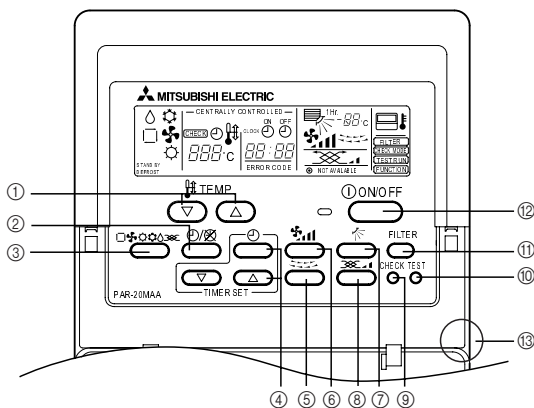
P

GR

RU

TR

#



- ① [Room temperature adjustment] Button
- ② [Timer/continuous] Button
- ③ [Selecting operation] Button
- ④ [Time selection] Button
[Time-setting] Button
- ⑤ [Louver] Button
- ⑥ [Fan speed adjustment] Button
- ⑦ [Up/down airflow direction] Button
- ⑧ [Ventilation] Button
- ⑨ [Checking/built-in] Button
- ⑩ [Test run] Button
- ⑪ [Filter] Button
- ⑫ [ON/OFF] Button
- ⑬ Position of built-in room temperature

- Never expose the remote controller to direct sunlight. Doing so can result in the erroneous measurement of room temperature.
- Never place any obstacle around the lower right-hand section of the remote controller. Doing so can result in the erroneous measurement of room temperature.

- ① Raumtemperatur-Tasten
- ② Zeitschalter-/Dauerbetrieb-Taste
- ③ Betriebsart-Taste
- ④ Zeitschalt-Taste
Zeiteinstell-Tasten
- ⑤ Klappen-Taste
- ⑥ Luftstromgeschwindigkeit-Taste
- ⑦ Vertikale Luftstromrichtung-Tasten
- ⑧ Belüftung-Tasten
- ⑨ Überprüfen/Eingebauten-Tasten
- ⑩ Testlauf-Tasten
- ⑪ Filter-Taste
- ⑫ Betrieb-/Stop-Taste
- ⑬ Position der eingebauten Raumtemperatur

- Die Fernbedienung nicht direkter Sonneneinstrahlung aussetzen. Die Raumtemperatur wird sonst nicht korrekt gemessen.
- Den rechten unteren Teil der Fernbedienung nicht blockieren. Die Raumtemperatur wird sonst nicht korrekt gemessen.

- ① Touche de [réglage de la température de la pièce]
- ② Touche de [fonctionnement continu/minuterie]
- ③ Touche de [sélection du mode de fonctionnement]
- ④ Touche de [sélection de l'heure]
Touche de [réglage de l'heure]
- ⑤ Touche de [pivotement]
- ⑥ Touche de [réglage de la vitesse du ventilateur]
- ⑦ Touche de [sens de la soufflerie vers le haut/vers le bas]
- ⑧ Touche [Ventilation]
- ⑨ Touche [Vérification/Intégré]
- ⑩ Touche [Essai de fonctionnement]
- ⑪ Touche de [filtre]
- ⑫ Touche [ON/OFF]
- ⑬ Position du capteur intégré de la température de la pièce

- Ne jamais laisser la commande à distance en plein soleil sinon les données de température ambiante risquent d'être erronées.
- Ne jamais placer d'obstacle devant la partie inférieure droite de la commande à distance sinon la lecture des températures ne sera pas correcte.

- ① Pulsante [Regolazione della temperatura ambiente]
- ② Pulsante [Timer/continuo]
- ③ Pulsante [Selezione modalità di funzionamento]
- ④ Pulsante [Selezione ora]
Pulsante [Impostazione dell'ora]
- ⑤ Pulsante [Regolazione deflettore]
- ⑥ Pulsante [Regolazione della velocità di ventilazione]
- ⑦ Pulsante [Regolazione della direzione di soffiaggio verso l'alto/il basso]
- ⑧ Pulsante [Ventilazione]
- ⑨ Pulsante [Controllo/Incorporata]
- ⑩ Pulsante [Prova di funzionamento]
- ⑪ Pulsante [Filtro]
- ⑫ Pulsante [ACCENSIONE/SPEGNIMENTO]
- ⑬ Posizione temperatura ambiente incorporata

- Non esporre mai il comando a distanza alla luce diretta del sole, in quanto questo può alterare la corretta rilevazione della temperatura ambiente.
- Non porre alcun ostacolo attorno alla sezione inferiore destra del comando a distanza, in quanto questo può alterare la corretta rilevazione della temperatura ambiente.

- ① Botón [Ajuste de la temperatura de la habitación]
- ② Botón [Temporizador/continuo]
- ③ Botón [Selección del modo de funcionamiento]
- ④ Botón [Selección de la hora]
Botón [Determinación de la hora]
- ⑤ Botón [Persiana]
- ⑥ Botón [Ajuste de la velocidad del ventilador]
- ⑦ Botón [Dirección de la corriente ascendente/descendente de aire]
- ⑧ Botón [Ventilación]
- ⑨ Botón [Comprobación/Incorporada]
- ⑩ Botón [Prueba de funcionamiento]
- ⑪ Botón [Filtro]
- ⑫ Botón [ON/OFF]
- ⑬ Posición de temperatura ambiente incorporada

- Nunca exponga el mando a distancia a la luz directa del sol. Si lo hace, se producirá una lectura errónea de la temperatura de la habitación.
- Nunca ponga ningún obstáculo alrededor de la sección inferior derecha del mando a distancia. Si lo hace, se producirá una lectura errónea de la temperatura de la habitación.

- ① [Aanpassen kamertemperatuur] Knop
 - ② [Timer/continuu] Knop
 - ③ [Standselectie] Knop
 - ④ [Tijdselectie] Knop
[Tijdstellings] Knop
 - ⑤ [Ventilatie-jaloezie] Knop
 - ⑥ [Aanpassen van de ventilatorsnelheid] Knop
 - ⑦ [Blaasrichting naar boven/ naar beneden] Knop
 - ⑧ Knop [Ventilatie]
 - ⑨ Knop [Controle/Ingebouwde]
 - ⑩ Knop [Proefdraaien]
 - ⑪ [Filter] Knop
 - ⑫ [ON/OFF (AAN/UIT)] Knop
 - ⑬ Plaats van ingebouwde kamertempatuursensor
- Laat de afstandsbediening nooit in direct zonlicht liggen. Als u dit toch doet kan het zijn dat de kamertemperatuur onjuist gemeten wordt.
 - Zet of hang nooit iets in de buurt van het gedeelte rechtsonder op de afstandsbediening. Als u dit toch doet kan het zijn dat de kamertemperatuur onjuist gemeten wordt.

- ① Tecla de [regulação da temperatura da peça]
 - ② Tecla de [temporização/contínuo]
 - ③ Tecla de [selecção de funcionamento]
 - ④ Tecla de [selecção da hora]
Tecla de [programação da hora]
 - ⑤ Tecla [Veneziana]
 - ⑥ Tecla de [regulação da velocidade da ventoinha]
 - ⑦ Tecla de [direcção do fluxo de ar para cima/para baixo]
 - ⑧ Botão [Ventilação]
 - ⑨ Botão [Verificação/Incorporada]
 - ⑩ Botão [Teste de funcionamento]
 - ⑪ Tecla [filtro]
 - ⑫ Tecla [ON/OFF] (Ligar/Desligar)
 - ⑬ Posição da temperatura ambiente incorporada
- Nunca exponha o controlo remoto à luz directa do sol, porque pode dar-lhe valores de temperatura da peça anormais.
 - Nunca coloque nenhum obstáculo em volta da secção inferior direita do controlo remoto, pois isso pode dar-lhe valores de temperatura da peça anormais.

- ① | ουμ ί [Ρύθμισης θερμοκρασίας δωματίου]
 - ② | ουμ ί [Χρονόμετρο/συνεχής]
 - ③ | ουμ ί [ῶκλογής λειτουργίας]
 - ④ | ουμ ί [ῶκλογής χρόνου]
| ουμ ί [Ρύθμισης ώρας]
 - ⑤ | ουμ ί [γρίλλιας]
 - ⑥ | ουμ ί [Ρύθμισης ταχύτητας ανεμιστήρα]
 - ⑦ | ουμ ί [Πάνω/κάτω κατεύθυνσης ροής αέρα]
 - ⑧ | ουμ ί [ῶξαερισμού]
 - ⑨ | ουμ ί [ῶλέγχου/ενσωματωμένου]
 - ⑩ | ουμ ί [Δοκιμαστικής λειτουργίας]
 - ⑪ | ουμ ί [φίλτρου]
 - ⑫ | ουμ ί [ON/OFF]
 - ⑬ Θέση του ενσωματωμένου θερμόμετρου δωματίου
- Μην εκτίθετε οτέ το χειριστήριο εξ α οστάσεως στο ηλιακό φώς. Αυτό μ ορεί να έχει σαν α οτέλεσμα λανθασμένες μετρήσεις της θερμοκρασίας δωματίου.
 - Μην το οθετείτε οτέ εμ όδια γύρω α ό το κάτω δεξιό τμήμα το χειριστηρίου εξ α οστάσεως. Αυτό μ ορεί να έχει σαν α οτέλεσμα λανθασμένες μετρήσεις της θερμοκρασίας δωματίου.

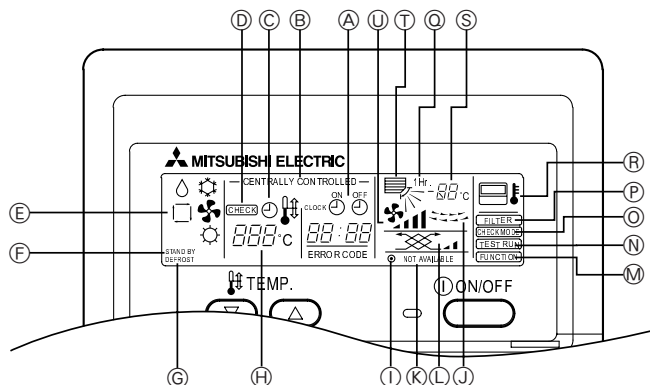
- ① Кнопка [Регули ование темпе ату ы в помещении]
 - ② Кнопка [Тайме /постоянно]
 - ③ Кнопка [Выбо опе ации]
 - ④ Кнопка [Выбо в емени]
Кнопка [Наст ойка в емени]
 - ⑤ Кнопка [жалюзи]
 - ⑥ Кнопка [Регули овки ско ости вентилято а]
 - ⑦ Кнопка [Нап авления потока воздуха вве х/вниз]
 - ⑧ Кнопка [Вентиляция]
 - ⑨ Кнопка [П ове ка/вст оенного датчика]
 - ⑩ Кнопка [Тестовый п огон]
 - ⑪ Кнопка [Фильт]
 - ⑫ Кнопка [ВКЛ./ВЫКЛ.]
 - ⑬ Позиция вст оенного датчика темпе ату ы помещения
- Никогда не подве гайте пульт дистанционного уп авления воздействию п ямых солнечных лучей. Это может п ивести к неп авильным заме нениям темпе ату ы в помещении.
 - Никогда не помещайте какое-либо п епятствие пе ед нижней п авой секцией пульта дистанционного уп авления. Это может п ивести к неп авильному заме ению темпе ату ы в помещении.

- ① [Oda Sıcaklığı Ayarı] Düğmesi
 - ② [Saatli/Sürekli Çalışma] Düğmesi
 - ③ [Program Seçme] Düğmesi
 - ④ [Saat Seçme] Düğmesi
[Saat Ayarı] Düğmesi
 - ⑤ [Pancur] Düğmesi
 - ⑥ [Ventilatör Hızı Ayarlama] Düğmesi
 - ⑦ [Hava Akımını Aşağı/Yukarı Yönlendirme] Düğmesi
 - ⑧ [Havalandırma] Düğme
 - ⑨ [Kontrol/Entegre] Düğme
 - ⑩ [Deneme Çalıştırması] Düğme
 - ⑪ [Filtre] Düğmesi
 - ⑫ [Açma/Kapama] Düğmesi
 - ⑬ Entegre oda sıcaklığı konumu
- Uzaktan kumanda ünitesini güneş ışığına maruz bırakmayın. Aksi taktirde oda sıcaklığının yanlış ölçülmesine neden olabilirsiniz.
 - Uzaktan kumanda ünitesinin sağ alt köşesinin önünü hiçbir şekilde kapatmayın. Aksi taktirde oda sıcaklığının yanlış ölçülmesine neden olabilirsiniz.

- ① [调节室温]按钮
 - ② [定时器/连续]按钮
 - ③ [运行模式选择]按钮
 - ④ [选择时间]按钮
[时间设定]按钮
 - ⑤ [风门片]按钮
 - ⑥ [风扇速度调节]按钮
 - ⑦ [上/下风向]按钮
 - ⑧ [通风]按钮
 - ⑨ [检查/内置]按钮
 - ⑩ [试运行]按钮
 - ⑪ [滤网]按钮
 - ⑫ [开/关]按钮
 - ⑬ 内置室温位置
- 切勿将遥控器暴露 in 直射阳光下，否则可能会引起室温测量误差。
 - 切勿在遥控器右下方放置任何障碍物，否则可能会引起室温测量误差。

GB Remote controller-Display
D Fernbedienung-Anzeige

F Affichage Commande à distance
I Display dell'unità del comando a distanza
E Controlador remoto-Indicador



- A Current time/Timer
- B Centralized control
- C Timer ON
- D Abnormality occurs
- E Operation mode: COOL, DRY, AUTO, FAN, HEAT
- F Preparing for Heating mode
- G Defrost mode
- H Set temperature
- I Power ON
- J Louver
- K Not available function
- L Ventilation
- M Function setting mode
- N Test run mode
- O Error check mode
- P Filter sign
- Q Set effective for 1 hr.
- R Sensor position
- S Room temperature
- T Airflow
- U Fan speed

- A Aktuelle Zeit/Timer (Zeitschalter)
- B Anzeige für Zentralsteuerung
- C Zeitschalter/Timer ON/EIN
- D Auftretende Abnormität
- E Betriebsart: KÜHLEN, LUFTTROCKNEN, AUTO, GEBLÄSE, HEIZEN
- F Vorbereitung zur Betriebsart Heizen
- G Betriebsart Enteisen
- H Eingestellten Temperatur
- I Netz ON/EIN
- J Luftklappe
- K Funktion nicht verfügbar
- L Ventilation
- M Betriebsart Funktion einstellen
- N Betriebsart Testlauf
- O Betriebsart Fehlerprüfung
- P Filterzeichen
- Q 1 Stunde wirksame Einstellung
- R Fühlerposition
- S Raumtemperatur
- T Luftstrom
- U Luftstromgeschwindigkeit

- A Heure/Programmeur
- B Contrôle centralisé
- C Programmeur activé (ON)
- D En cas d'anomalie
- E Mode de fonctionnement: REFROIDISSEMENT, DESHUMIDIFICATION, AUTOMATIQUE, SOUFFLERIE, CHAUFFAGE
- F Préparation pour le mode chauffage
- G Mode dégivrage
- H Réglage de la température
- I Mise sous tension (ON)
- J Lucarne
- K Fonction non disponible
- L Ventilation
- M Mode de réglage du fonctionnement
- N Mode d'essai de fonctionnement
- O Mode de vérification des erreurs
- P Signe du filtre
- Q Réglage après une heure
- R Position du capteur
- S Température de la pièce
- T Flux d'air
- U Vitesse du ventilateur

- A Ora corrente/Timer
- B Comando centralizzato
- C Timer attivato
- D Si verifica un'anomalia
- E Modo funzionamento: COOL, DRY, AUTO, FAN, HEAT
- F Preparazione della modalità di riscaldamento
- G Modalità di sbrinamento
- H Impostazione temperatura
- I Alimentazione attivata
- J Deflettore
- K Funzione non disponibile
- L Ventilazione
- M Modalità impostazione funzione
- N Modalità di prova di funzionamento
- O Modalità di controllo errore
- P Simbolo del filtro
- Q Impostazione effettiva di un'ora
- R Posizione del sensore
- S Temperature ambiente
- T Flujo de aire
- U Velocità di ventilazione

- A Hora actual/Temporizador
- B Control centralizado
- C Temporizador en ON
- D Se producen anomalías
- E Modo de funcionamiento: REFRIGERACIÓN, DESHUMIDIFICACIÓN, MODO AUTOMÁTICO, VENTILADOR, CALEFACCIÓN
- F Preparación para el modo Calefacción
- G Modo Descongelación
- H Temperatura programada
- I Activado
- J Rejilla
- K Función no disponible
- L Ventilación
- M Modo de configuración de funciones
- N Modo de prueba de funcionamiento
- O Modo de comprobación de errores
- P Señal del filtro
- Q Valor activado por una hora
- R Posición del sensor
- S Temperatura ambiente
- T Flusso d'aria
- U Velocidad del ventilador

(NL) Display afstandbediening
(P) Visualização do controlo remoto
(GR) Δηλεχειριστήριο-ῶ ἰδειξη

(RU) Дисплей конт олле а ДУ
(TR) Uzaktan kumanda ünitesi-Göstergesi
(中) 遥控器-显示部分

- A Huidige tijd/Timer
- B Centraal regelen
- C Timer AAN
- D Storing treedt op
- E Werkingstoestand: KOELEN, DROGEN, AUTO, VENTILATOR, VERWARMEN
- F Bezig voor te bereiden op verwarmingsmodus
- G Ontdooimodus
- H Instellen temperatuur
- I Voeding AAN
- J Jalouzie
- K Niet-beschikbare functie
- L Ventileren
- M Functie-instellingsmodus
- N Proefdraaimodus
- O Foutcontrolemodus
- P Filterteken
- Q Instellen effectief voor na één uur
- R Plaats van sensor
- S Kamertemperatuur
- T Luchtstroom
- U Ventilatorsnelheid

- A Текущее в емя/Тайме
- B Центр ализованного конт оля
- C Тайме ВКЛ. (ON)
- D В случае неполадки
- E Режим эксплуатации: ОХЛАЖДЕНИЕ, СУШКА, АВТО, ВЕНТИЛЯТОР, ОБОГРЕВ
- F Подготовка к ежиму обог ева
- G Режим азм аживания
- H Выбо а темпе ату ы
- I Питание ВКЛ. (ON)
- J Заслонка
- K Функция недоступна
- L Вентиляции
- M Режим установки функции
- N Режим тестового п огона
- O Режим п ове ки ошибки
- P Символ фильта
- Q Задействован в течение одного часа
- R Позиция датчика
- S Темпе ату а в помещении
- T Воздушный поток
- U Ско ости вентилято а

- A Hora actual/Temporizador
- B Controlado centralizado
- C Temporizador ON (Ligado)
- D Ocorre uma anomalia
- E Modo de funcionamento: ARREFECIMENTO, DESCONGELAÇÃO, AUTO, VENTOINHA, QUENTE
- F Preparar para o modo de Aquecimento
- G Modo de Descongelação
- H Temperatura programada
- I Corrente ON (Ligada)
- J Louver
- K Função não disponível
- L Ventilação
- M Modo de programação de Função
- N Modo de teste de funcionamento
- O Modo de verificação de erro
- P Sinal do filtro
- Q Em funcionamento durante uma hora
- R Posição do sensor
- S Temperatura ambiente
- T Fluxo de Ar
- U Velocidade da ventoinha

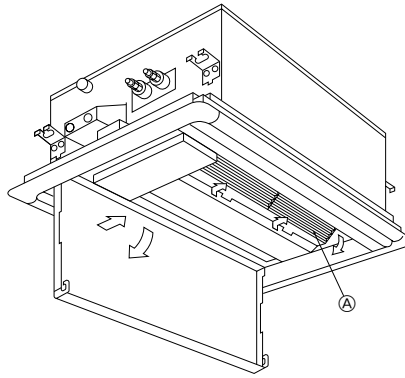
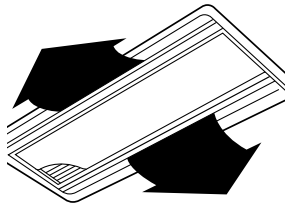
- A Mevcut saat/Zamanlayıcı
- B Merkezi Kontrol Altında
- C Zamanlayıcı AÇIK
- D Anormal durum oluştu.
- E Programlama modu: SOĞUTMA, KURUTMA, OTOMATİK, FAN, ISITMA
- F Isıtma moduna hazırlık
- G Buz giderme modu
- H İstenilen Sıcaklık
- I Elektrik AÇIK
- J Pancur
- K Kullanılmayan fonksiyon
- L Havalandırma
- M Fonksiyon ayarlama modu
- N Deneme çalıştırması modu
- O Hata kontrol modu
- P Filtre işareti
- Q Bir Saat Boyunca Etkin Kılma
- R Sensör konumu
- S Oda sıcaklığı
- T Hava Akımı
- U Vantilatör Hızı

- A Δρέχουσα ώρα/Χρονοδιακό της
- B ἰ εντρικού ελέγχου
- C Χρονοδιακό της √ N
- D Παρουσιάζεται ανωμαλία
- E Φάση λειτουργίας: ΨΥΞΗ, ∞ΦΥ° Ρ∞ΝΣΠ, ∞ΥΔ√ Μ∞ΔΠ ΛθπΔ√ ΥΡ°π∞, ∞Nθ ΜπΞΔΠΡ∞Σ, Θθ ΡΜ∞ΝΣΠ
- F Προετοιμασία για τη λειτουργία θέρμανσης
- G Λειτουργία α όψυξης
- H Ρύθμισης θερμοκρασίας
- I Λειτουργία √ N
- J ° ρίλιες
- K Μη διαθέσιμη λειτουργία
- L ῶξαερισμού
- M Ρύθμιση λειτουργίας
- N ἰ ατάσταση δοκιμαστικής λειτουργίας
- O ἰ ατάσταση ελέγχου σφαλμάτων
- P Σήμα φίλτρου
- Q Ρύθμιση ισχύει για μία ώρα
- R Θέση αισθητήρα
- S Θερμοκρασία δωματίου
- T Ροή αέρα
- U Δαχύτητας ανεμιστήρα

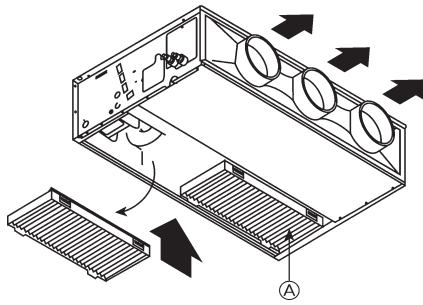
- A 当前时间/定时器
- B 中央控制
- C 定时器接通
- D 出现异常
- E 运行模式: COOL (冷气), DRY (电子除湿), AUTO (自动), FAN (风扇), HEAT (暖气)
- F 暖气模式准备中
- G 除霜模式
- H 设定温度
- I 电源接通
- J 叶栅
- K 无此功能
- L 通风
- M 功能设定模式
- N 试运行模式
- O 错误检查模式
- P 滤网符号
- Q 1小时有效设定
- R 传感器位置
- S 室温
- T 气流
- U 风扇速度

[Fig. A]

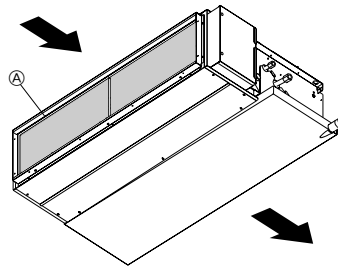
<PLFY-P-VLMD-A>



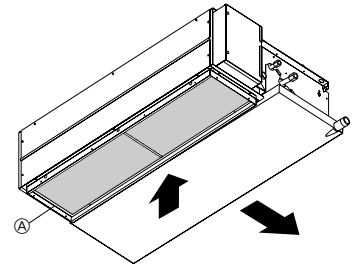
<PDFY-P-VM-A>



<PEFY-P-VMM-A>

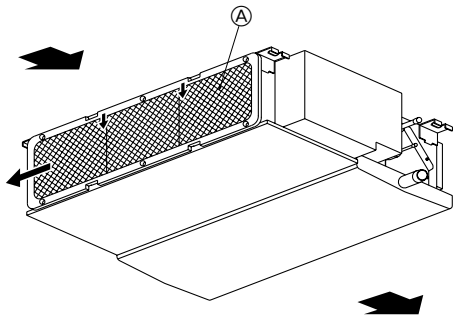


In case of rear inlet

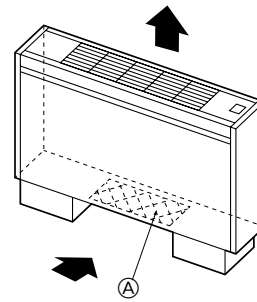


In case of bottom inlet

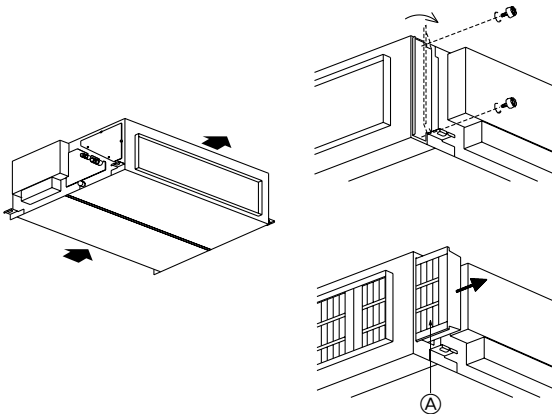
<PEFY-P-VML-A>



<PFFY-P-VLEM-A, VLRM-A>



<PEFY-P-VMH-A>



Ⓐ: Filter
 Filter
 Filtre
 Filtro
 Filtro
 Filter
 Filtro
 Φίλτρο
 Фильтр
 Filtre
 滤网

➔ : Air Flow
 Luftstrom
 Flux d'air
 Flujo de aire
 Flusso d'aria
 Luchtstroom
 Fluxo de Ar
 Ροή αέρα
 Воздушный поток
 Hava Akımı
 气流

Contents

1. Safety precautions	7	3.5. Adjustment of up/down airflow direction	9
1.1. Installation	7	3.6. Time setting	9
1.2. During operation	7	3.7. Timer setting	10
1.3. Disposing of the unit	8	3.8. Ventilation	10
2. Names and functions of various parts	8	3.9. Others	10
3. How to operate	8	4. The smart way to use	10
3.1. ON/OFF	8	5. Caring for the machine	11
3.2. Selecting operation	8	6. Troubleshooting	11
3.3. Room temperature adjustment	9	7. Installation, transferring works, and checking	12
3.4. Fan speed adjustment	9	8. Specifications	12

1. Safety precautions

- ▶ Before operating the unit, make sure you read all the “Safety precautions”.
- ▶ “Safety precautions” lists important points about safety. Please be sure to follow them.

Symbols used in the text






Warning:

Describes precautions that should be observed avoid the risk of injury or death to the user.

Caution:

Describes precautions that should be observed to prevent damage to the unit.

Symbols used in the illustrations

-  : Indicates an action that must be avoided.
-  : Indicates that important instructions must be followed.
-  : Indicates a part which must be grounded.
-  : Indicates that caution should be taken with rotating parts. (This symbol is displayed on the main unit label.) <Color: yellow>
-  : Beware of electric shock. (This symbol is displayed on the main unit label.) <Color: yellow>

-  **Warning:**
Carefully read the labels affixed to the main unit.

1.1. Installation

- ▶ After you have read this manual, keep it and the Installation Manual in a safe place for easy reference whenever a question arises. If the unit is going to be operated by another person, make sure that this manual is given to him or her.

Warning:

- The unit should not be installed by the user. Ask the dealer or an authorized company to install the unit. If the unit is installed improperly, water leakage, electric shock or fire may result.
- Use only accessories authorized by Mitsubishi Electric and ask your dealer or an authorized company to install them. If accessories are installed improperly, water leakage, electric shock or fire may result.
- The Installation Manual details the suggested installation method. Any structural alteration necessary for installation must comply with local building code requirements.
- Never repair the unit or transfer it to another site by yourself. If repair is performed improperly, water leakage, electric shock or fire may result. If you need to have the unit repaired or moved, consult your dealer.
- The appliance is not intended for use by young children or infirm persons without supervision.
- Young children should be supervised to ensure that they do not play with the appliance.

1) Outdoor unit

Warning:

- The outdoor unit must be installed on a stable, level surface, in a place where there is no accumulation of snow, leaves or rubbish.
- Do not stand on, or place any items on the unit. You may fall down or the item may fall, causing injury.

Caution:

The outdoor unit should be installed in a location where air and noise emitted by the unit will not disturb the neighbours.

2) Indoor unit

Warning:

The indoor unit should be securely installed. If the unit is loosely mounted, it may fall, causing injury.

3) Remote controller

Warning:

The remote controller should be installed in such a way that children cannot play with it.

4) Drain hose

Caution:

Make sure that the drain hose is installed so that drainage can go ahead smoothly. Incorrect installation may result in water leakage, causing damage to furniture.

5) Power line, fuse or circuit breaker

Warning:

- Make sure that the unit is powered by a dedicated supply. Other appliances connected to the same supply could cause an overload.
- Make sure that there is a main power switch.
- Be sure to adhere to the unit's voltage and fuse or circuit breaker ratings. Never use a piece of wire or a fuse with a higher rating than the one specified.

6) Grounding

Caution:

- The unit must be properly grounded. Never connect the grounding wire to a gas pipe, water pipe, lightning conductor or telephone grounding wire. If the unit is not grounded properly, electric shock may result.
- Check frequently that the ground wire from the outdoor unit is properly connected to both the unit's ground terminal and the grounding electrode.

1.2. During operation

Caution:

- Do not use any sharp object to push the buttons, as this may damage the remote controller.
- Do not twist or tug on the remote controller cord as this may damage the remote controller and cause malfunction.
- Never remove the upper case of the remote controller. It is dangerous to remove the upper case of the remote controller and touch the printed circuit boards inside. Doing so can result in fire and failure.
- Never wipe the remote controller with benzene, thinner, chemical rags, etc. Doing so can result in discoloration and failure. To remove heavy stains, soak a cloth in neutral detergent mixed with water, wring it out thoroughly, wipe the stains off, and wipe again with a dry cloth.
- Never block or cover the indoor or outdoor unit's intakes or outlets. Tall items of furniture underneath the indoor unit, or bulky items such as large boxes placed close to the outdoor unit will reduce the unit's efficiency.

Warning:

- Do not splash water over the unit and do not touch the unit with wet hands. An electric shock may result.
- Do not spray combustible gas close to the unit. Fire may result.
- Do not place a gas heater or any other open-flame appliance where it will be exposed to the air discharged from the unit. Incomplete combustion may result.

⚠ Warning:

- Do not remove the front panel or the fan guard from the outdoor unit when it is running. You could be injured if you touch rotating, hot or high-voltage parts.
- Never insert fingers, sticks etc. into the intakes or outlets, otherwise injury may result, since the fan inside the unit rotates at high speed. Exercise particular care when children are present.
- If you detect odd smells, stop using the unit, turn off the power switch and consult your dealer. Otherwise, a breakdown, electric shock or fire may result.
- When you notice exceptionally abnormal noise or vibration, stop operation, turn off the power switch, and contact your dealer.
- Do not over-cool. The most suitable inside temperature is one that is within 5 °C of the outside temperature.
- Do not leave handicapped people or infants sitting or standing in the path of the airflow from the air-conditioner. This could cause health problems.

⚠ Caution:

- Do not direct the airflow at plants or caged pets.
- Ventilate the room frequently. If the unit is operated continuously in a closed room for a long period of time, the air will become stale.

In case of failure

⚠ Warning:

- Never remodel the air conditioner. Consult your dealer for any repair service. Improper repair work can result in water leakage, electric shock, fire, etc.
- If the remote controller displays an error indication, the air conditioner does not run, or there is any abnormality, stop operation and contact

your dealer. Leaving the unit as it is under such conditions can result in fire or failure.

- If the power breaker is frequently activated, get in touch with your dealer. Leaving it as it is can result in fire or failure.
- If the refrigeration gas blows out or leaks, stop the operation of the air conditioner, thoroughly ventilate the room, and contact your dealer. Leaving the unit as it is can result in accidents due to oxygen deficiency.

When the air conditioner is not to be used for a long time

- If the air conditioner is not to be used for a long time due to a seasonal change, etc., run it for 4 - 5 hours with the air blowing until the inside is completely dry. Failing to do so can result in the growth of unhygienic, unhealthy mold in scattered areas throughout the room.
- When it is not to be used for an extended time, keep the [power supply] turned OFF.

If the power supply is kept on, several watts or several tens of watts will be wasted. Also, the accumulation of dust, etc., can result in fire.

- Keep the power switched ON for more than 12 hours before starting operation. Do not turn the power supply OFF during seasons of heavy use. Doing so can result in failure.

1.3. Disposing of the unit

⚠ Warning:

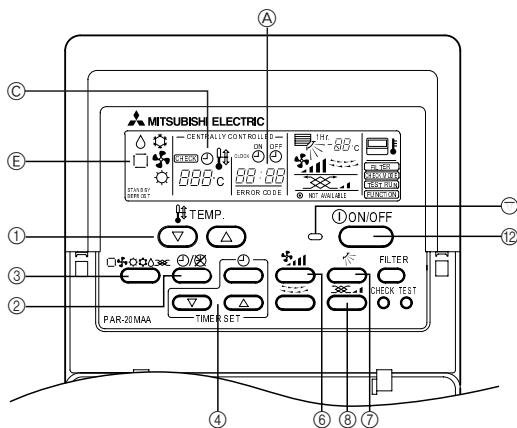
When you need to dispose of the unit, consult your dealer. If pipes are removed incorrectly, refrigerant (fluorocarbon gas) may blow out and come into contact with your skin, causing injury. Releasing refrigerant into the atmosphere also damages the environment.

2. Names and functions of various parts

Attachment and detachment of filter

[Fig. A] (P.6)

3. How to operate



Before starting operation

- Start running after the "H0" display has disappeared. The "H0" display briefly appears on the room temperature display (max. 3 minutes) when the power is turned on and after a power failure. This does not indicate any failure of the air conditioner.
- The operation modes of the indoor units' cooling operation, dry operation, and heating operation are different from those of the outdoor units. When the operation is started with cooling/dry (heating) and other indoor units connected to the counterpart outdoor units are already running in the same operation mode, the remote control displays "H0" or "H1" ("H0") mode. However, the operation comes to stop, and you cannot get a desired mode. When this occurs, you will be notified by the "H0" or "H1" ("H0") display that flashes in the liquid crystal display of the remote controller. Set to the operation mode of other indoor unit by the operation switch button. The above does not apply to the models that simultaneously run both the cooling operation and heating operation.
- The outdoor units stop when all the indoor units connected to the counterpart outdoor units stop.
- During heating operation, even if the indoor unit is set to operation while the outdoor unit is in defrosting operation, operation starts after the defrosting operation of the outdoor unit has ended.

⚠ Caution:

- In removing the filter, precautions must be taken to protect your eyes from dust. Also, if you have to climb up on a stool to do the job, be careful not to fall.
- Turn off the power supply when the filter is changed.

3.1. ON/OFF

Start an operation

1. Press the [ON/OFF] button
Operation lamp lights up and operation starts.

Stop an operation

1. Press the [ON/OFF] button again
Operation lamp goes off and operation stops.
- Once the buttons have been set, pressing of the [ON/OFF] button only can repeat the same operation thereafter.
 - During operation, the operation lamp above the [ON/OFF] button lights up.

⚠ Caution:

Even if the operation button is pressed immediately after the operation is once stopped, operation is not restarted for about 3 minutes. This function protects the machine. It automatically starts operation after the lapse of approximately 3 minutes.

3.2. Selecting operation

When selecting operation

1. Press the [selecting operation] button
Consecutive press of the selecting operation button switches the operation over to "H0", "H1", "H2", "H3", and "H4". For the contents of operation, check the display.

For cooling

Press the [selecting operation] button and bring up the "H0" display.

For dry

Press the [selecting operation] button and bring up the "H1" display.

- The indoor fan turns to the low-speed operation, disabling the change of fan speed.
- Dry operation cannot be carried out at a room temperature of less than 18 °C.

For fan

Press the [selecting operation] button and bring up the "H2" display.

- The fan operation functions to circulate the air in the room.
- The temperature of the room cannot be set by fan operation.

⚠ Caution:

Never expose your body directly to cool air for a long time. Excessive exposure to cool air is bad for your health, and should therefore be avoided.

Dry operation

The dry is a microcomputer-controlled dehumidifying operation which controls excessive air-cooling according to the room temperature of your choice. (Not usable for heating.)

1. Until reaching room temperature of your choice
The compressor and indoor fan function is linked motion according to the change of the room temperature and automatically repeat ON/OFF.
2. When reaching room temperature of your choice
Both the compressor and indoor fan stop.
When stop continues for 10 minutes, the compressor and indoor fan are operated for 3 minutes to keep the humidity low.

For heating

Press the **⊕** [selecting operation] button to bring up the “**☀**” display.

Regarding displays during heating operation “DEFROST”

Displayed only during the defrosting operation.

“STAND BY”

Displayed from the start of heating operation until the moment warm air blows out.

⚠ Caution:

- When the air conditioner is used together with burners, thoroughly ventilate the area. Insufficient ventilation can result in accidents due to oxygen deficiency.
- Never place a burner at a place where it is exposed to the airflow from the air conditioner.
Doing so can result in imperfect combustion of the burner.
- The microcomputer functions in the following cases:
- Air does not blow out when heating starts.
 - To prevent any cool air from escaping, the indoor fan is gradually switched in sequence from faint airflow/weak airflow/set airflow according to the temperature rise of the blown out air. Wait a moment until the airflow comes out naturally.
- The fan is not moving at the set speed.
 - In some models, the system switches over to faint airflow when the temperature of the room reaches the set temperature. In other cases, it stops to prevent any cool air from escaping during the defrosting operation.
- Air flows out even if operation is stopped.
 - Approximately 1 minute after the stop of operation, the indoor fan sometimes rotates to eliminate extra heat generated by the electric heater, etc. The fan speed comes to low or high.

3.3. Room temperature adjustment

To change room temperature

Press the **①** [room temperature adjustment] button and set the room temperature of your choice.

Pressing **▲** or **▼** once changes the setting by 1 °C. If the pressing is continued, the setting continues to change by 1 °C.

- Indoor temperature can be set within the following range.
Cooling/dry: 19 - 30 °C
Heating: 17 - 28 °C
- It is impossible to set the room temperature by the air-blow operation.
- * The range of room temperature display is 8 - 39 °C. Outside this range, the display flashes either 8 - 39 °C to inform you if the room temperature is lower or higher than the displayed temperature.

3.4. Fan speed adjustment

To change fan speed

Every time you press the **Ⓢ** [fan speed] button once, it switches from the low-speed to high-speed settings successively.

In the electronics dry operation, the indoor fan automatically turns to low-speed operation. Switching of fan speed is impossible. (Only the display on the remote controller changes.)

* Every time the fan speed adjustment button is once pressed, the fan speed is changed.

[PEFY-P200-250VMH]

Fan speed : 1 stage

Display:

[PEFY-P-VM, PEFY-P40~140VMH, PFFY-P-VLEM, PFFY-P-VLRM] [PDFY-P100-125VM, PEFY-P100~140-VMM series]

Fan speed : 2 stages

Display:

[PLFY-PVLM, PDFY-P20~80VM series]

Fan speed : 4 stages

Display:

[PEFY-P-VML, PEFY-P20~80-VMM series]

Fan speed : 3 stages

Display:

3.5. Adjustment of up/down airflow direction

To change the up/down airflow direction

Every time the **Ⓢ** [up/down airflow direction] button is pressed, the direction of the airflow changes.

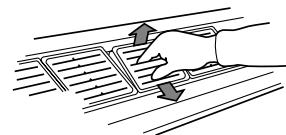
Display						
Mode	Fan speed					
Heating/Fan	High/Mid1/ Mid2/Low	①	②	③	④	⑤
	High					
Cooling	Mid1/Mid2/Low	①	②	③	④	⑤
Dry	Can not Change		↑			*1
Initial setting		-	Cooling Dry Fan	-	-	Heating

- *1
- It automatically returns to the “② 0°” when one hour passes.
 - The “1 Hr.” is displayed on the remote controller (It is disappeared when one hour passes.)

- This function is not available according to the models.
- In the following cases, it is different for the display and the unit.
 1. “DEFROST” or “STAND BY” is displayed
 2. Just starting in heating mode
 3. Thermostat OFF in heating mode

PFFY-P-VLEM

While pulling the blowout grill out toward you, raise the rear, remove it, change the direction, and set it in place.



⚠ Caution:

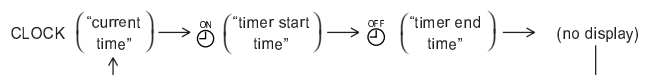
Avoid putting your hand into the air outlet of the indoor unit any more than necessary during operation. If you get your hands caught in the metal parts when adjusting the airflow-direction-adjustment board and blowout grill, or nip them in the autovane, there is a risk of injury and failure.

3.6. Time setting

- Set the current time after turning ON the power of the air conditioner or after restoration from a power failure.
- It can be set regardless of the operation of the indoor unit.
- During the time operation, the time-setting button becomes void, disabling time setting.

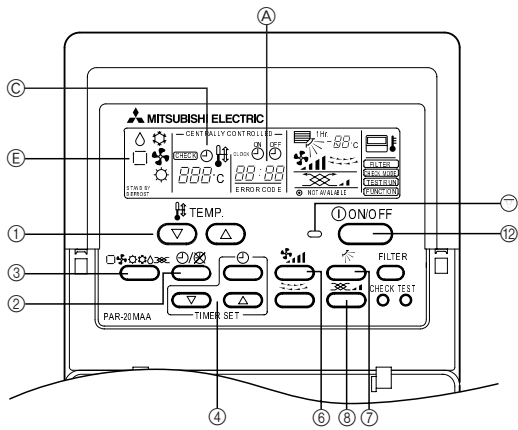
1. Press the **Ⓢ [time selection] button and bring up the **Ⓢ** “current time” display**

- Every time it is pressed, the display changes.

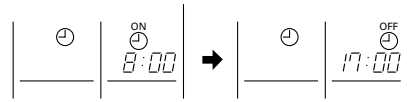


⚠ Caution:

When the current time is not yet set, the “CLOCK (current time)” display flashes, disabling the setting of timer operation.



Display example of timer setting



The example shows a timer set for operation start at 8:00 and end at 17:00.

- Press the ② [timer/continuous] button and bring up the ③ no display
- Press the ④ [time selection] button and bring up the ① "Timer start time" display
- Press the ④ (▲) (▼) button of the ④ [time selection] and set the starting time
When using it as an off-timer, set the starting time to "--:--".
The "--:--" is displayed next to 23:50.
- Press the ④ [time selection] button and bring up the ② "Timer end time" display
- Press the ④ (▲) (▼) button of the [time switch] and set the ending time
When using it as an on-timer, set the ending time to "--:--".
The "--:--" is displayed next to 23:50.
- Press the ② [timer/continuous] button and bring up the ③ " " display
Bringing up the ③ " " display completes the setting.

Every time the ④ (▲) (▼) button of the ④ [timer selection] is pressed once, it advances (or retrogresses) by 10 minutes.
If the button is pressed continuously, it advances (or retrogresses) continuously.
First set the hour digit and then set the minute digit.
When the ON/OFF timer mode is set, you can run (on-timer) or stop (off-timer) operation by pressing the ⑤ [ON/OFF] button even when there is remaining time.

Release

Press the ② [timer/continuous] button and disappear the " " display.

3.8. Ventilation

- The ventilator (OA processing unit or LOSSNAY) is automatically operated with the indoor unit when it interlocks to the indoor unit.
- Press the ⑧ [Ventilation] button when indoor unit stops, only the ventilator is operated.
- ⑧ [Ventilation] button is once pressed, the fan speed is changed.
- The fan of indoor unit runs even when only the ventilator is operated according to the model of indoor unit and ventilator occasionally.

3.9. Others

- CENTRALLY CONTROLLED** : Displayed when control is executed by a separately sold centralized control unit, etc.
- STAND BY DEFROST** : Displayed from the start of heating operation until the moment warm air blows out.
- CHECK** : This displays indication when some abnormality occurs in the unit.
- NOT AVAILABLE** : When a button is pressed for any function which the indoor unit cannot perform, this display flashes concurrently with the display of that function.
- Remote Controller** : In the system in which the [Sensor] display is indicated as the "remote controller", room temperature measurement is performed by the room temperature sensor built into the remote controller. Therefore, pay attention to the following:
- FILTER** : Displayed when it is time to clean the filter.
Press the ⑩ [Filter] button twice, then the display is disappeared.

2. Set the current time by pressing the ④ (▲) or (▼) button

- The time cannot be set while the ③ "timer on" is displayed.
- While the ① "CLOCK" time is displayed, press the time setting ④ (▲)/(▼) buttons and set the time.
- The setting advances one minute every time the ④ (▲) button is pressed once, and retrogresses one minute every time the ④ (▼) button is pressed once.
- When respective ④ (▲)/(▼) buttons are pressed continuously, the time display goes fast forward. It advances in the order of 1 minute unit - 10 minute unit - one hour unit.
- About 10 seconds after the button operation has been completed, the ③ "current time" and ① "CLOCK" displays disappear.

⚠ Caution:

- Remote controller is equipped with a simplified clock with a precision of about + or - one minute per month.
- The time must be readjusted (reset) every time the air conditioner is subjected to a power stop of the air conditioner or a power failure.

3.7. Timer setting

- If the timer is set, the unit starts (stops) at the set time, and the time mode is terminated.
- When you wish to confirm the starting and ending time, press the ④ [time selection] button while ③ " " is displayed.

Function of timer

On-timer

Set the on-timer for the time the working day begins in your company. When the set start time arrives, the air conditioner starts operation.

Off-timer

Use the off-timer as a reminder to turn off the air conditioner. When the set end-work time arrives, the air conditioner stops operation.

There are three methods for using the timer.

- ON/OFF Timer : When setting both starting and ending time
- On-timer : When only setting the starting time
(Ending time is set to "--:--")
- Off-timer : When only setting the ending time
(Starting time is set to "--:--")

4. The smart way to use

Even minimal steps to care for your air conditioner can help make its use far more effective in terms of air-conditioning effect, electricity charges, etc.

Set the right room temperature

- In cooling operation, a temperature difference of about 5 °C between indoors and outdoors is optimum.
- If the room temperature is raised by 1 °C during air-cooling operation, about 10 % electric power can be saved.
- Excessive cooling is bad for health. It also results in the waste of electric power.

Clean the filter thoroughly

- If the screen of the air filter becomes clogged, the airflow and air-conditioning effect can be significantly reduced.
Further, if the condition is left unattended, failure can result. It is particularly important to clean the filter at the beginning of the cooling and heating seasons. (When profuse dust and dirt have accumulated, clean the filter thoroughly.)

Prevent intrusion of heat during air-cooling

- To prevent the intrusion of heat during cooling operation, provide a curtain or a blind on the window to block out direct sunlight. Also, do not open the entrance or exit except in cases of dire necessity.

Carry out ventilation sometimes

- Since the air periodically gets dirty in a room that is kept closed for a long time, ventilation is sometimes necessary. When gas appliances are used together with the air conditioner, special precautions must be taken. If the "LOSSNAY" ventilation unit developed by our company is used, you can perform ventilation with less waste. For details on this unit, consult with your dealer.

5. Caring for the machine

Before care-taking, turn the power supply OFF.

⚠ Caution:

- Before you start cleaning, stop operation and turn OFF the power supply. Remember that the fan is rotating inside at high speed, posing a serious risk of injury.
- Indoor units are equipped with filters to remove the dust of sucked-in air. Clean the filters using the methods shown in the following sketches. (The standard filter should normally be cleaned once a week, and the long-life filter at the beginning of each season.)
- The life of the filter depends on where the unit is installed and how it is operated.

How to clean

- Clear dust away lightly or clean it up with a vacuum cleaner. In the case of severe staining, wash the filter in lukewarm water mixed with dissolved neutral detergent or water, and then rinse off the detergent completely. After washing, dry it and fix it back into place.

⚠ Caution:

- Do not dry the filter by exposing it to direct sunlight or warming it using fire, etc. Doing so can result in the deformation of the filter.
- Washing it in hot water (more than 50 °C) can also result in deformation.

⚠ Caution:

Never pour water or flammable sprays onto the air conditioner. Cleaning using these methods can result in the failure of the air conditioner, electric shock, or fire.

6. Troubleshooting

Before you ask for repair service, check the following points:

State of Machine	Remote Controller	Cause	Troubleshooting
It does not run.	"●" display is not lit up No display appears even when the [ON/OFF] button is pressed.	Power failure	Press the [ON/OFF] button after power restoration.
		The power supply is turned OFF.	Turn the power supply ON.
		The fuse in the power supply is gone.	Replace fuse.
		The earth leakage breaker is gone.	Put in the earth leakage breaker.
Air flows out but it does not cool enough or heat enough.	The liquid crystal display shows that it is in the state of operation.	Improper temperature adjustment	After checking the set temperature and inlet temperature on the liquid crystal display, refer to [Room temperature adjustment], and operate the adjustment button.
		The filter is filled with dust and dirt.	Clean up the filter. (Refer to [Caring for the machine].)
		There are some obstacles at the air inlet and outlet of the indoor and outdoor units. Windows and doors are open.	Remove. Close.
Cool air or warm air does not come out.	The liquid crystal display shows that it is in operation.	The restart-preventing circuit is in operation for 3 minutes.	Wait for a while. (To protect the compressor, a 3-minute restart-preventing circuit is built into the indoor unit. Therefore, there are occasions sometimes when the compressor does not start running immediately. There are cases when it does not run for as long as 3 minutes.)
		Indoor unit operation was started anew during the heating and defrosting operation.	Wait for a while. (Heating operation starts after ending defrosting operation.)
It runs briefly, but soon stops.	The "check" and check code flashes on the liquid crystal display.	There are some obstacles at the air inlet and outlet of the indoor and outdoor units.	Rerun after removal
		The filter is filled with dust and dirt.	Rerun after cleaning the filter. (Refer to [Caring for the machine].)
The sound of the exhaust and rotation of the motor can still be heard after stop of running.	All lights are out except the powered display of "●".	When other indoor units are engaged in cooling operation, the machine stops after running a drain-up mechanism for 3 minutes when air-cooling operation is stopped.	Wait for 3 minutes.
The sound of the exhaust and the rotation of the motor can be heard intermittently after stop of running.	All lights are out except the powered display of "●".	When other indoor units are engaged in cooling operation, drained water is brought in. If the drain water is collected, the drain-up mechanism initiates a draining operation.	It soon stops. (If the noise occurs more than 2-3 times in an hour, ask for repair service.)
Warm air comes out intermittently when the thermostat is OFF or during fan operation.	The liquid crystal display shows that it is in the state of operation.	When other indoor units are engaged in heating operation, the control valves are opened and closed from time to time to maintain the stability of the system.	It soon stops. (If the room temperature rises uncomfortably high in a small room, stop operation.)

- If operation stops due to a power failure, the [restart-preventing circuit at power failure] operates and disables unit operation even after power restoration. In this case, press the [ON/OFF] button again and start operation.

If malfunctions persist after you have checked the above, turn the power supply OFF and contact your dealer with information about the product name, the nature of the malfunction, etc. If the display of "[check]" and (4 digit) check code flashes, tell the dealer contents of the display (check code). Never attempt to repair by yourself.

The following symptoms are not air conditioner failures:

- The air blown out from the air conditioner can sometimes give off odors. This is due to cigarette smoke contained in the air of the room, the smell of cosmetics, the walls, furniture, etc., absorbed in the air conditioner.
- A hissing noise can be heard immediately after the air conditioner is started or stopped. This is the sound of the refrigeration flowing inside the air conditioner. This is normal.
- The air conditioner sometimes snaps or clicks at the beginning or end of cooling/heating operation. This is the sound of friction on the front panel and other sections due to expansion and contraction caused by temperature change. This is normal.

7. Installation, transferring works, and checking

Regarding place for installation

Consult with your dealer for details on installation and transferring the installation.

Caution:

Never install the air conditioner where there is a risk of leakage of flammable gas.

If gas leaks and accumulates around the unit, fire can result.

Never install the air conditioner at the following place:

- where there is a lot of machine oil
- near the ocean and beach areas where there is salt air.
- where humidity is high
- where there are hot springs nearby
- where there is sulphurous gas
- where there is a high-frequency processing machinery (a high-frequency welder, etc.)
- where acid solution is frequently used
- where special sprays are frequently used
- Install the indoor unit horizontally. Otherwise, water leakage can result.
- Take sufficient measures against noise when installing the air conditioners at hospitals or communication-related businesses.

If the air conditioner is used in any of the above-mentioned environments, frequent operational failure can be expected. It is advisable to avoid these types of installation sites.

For further details, consult with your dealer.

Regarding electrical work

Caution:

- The electrical work must be undertaken by a person who is qualified as an electrical engineer according to the [technical standard respecting electrical installation], [internal wiring rules], and the installation instruction manual with the absolute use of exclusive circuits. The use of other products with the power source can result in burnt-out breakers and fuses.

- Never connect the grounding wire to a gas pipe, water pipe, arrester, or telephone grounding wire. For details, consult with your dealer.
- In some types of installation sites, the installation of an earth leakage breaker is mandatory. For details, consult with your dealer.

Regarding transfer of installation

- When removing and reinstalling the air conditioner when you enlarge your home, remodel, or move, consult with your dealer in advance to ascertain the cost of the professional engineering work required for transferring the installation.

Caution:

When moving or reinstalling the air conditioner, consult with your dealer. Defective installation can result in electric shock, fire, etc.

Regarding noise

- In installing work, choose a place that can fully bear the weight of the air conditioner, and where noise and vibration can be reduced.
- Choose a place where cool or warm air and noise from the outdoor air outlet of the air conditioner does not inconvenience the neighbors.
- If any alien object is placed near the outdoor air outlet of the air conditioner, decreased performance and increased noise can result. Avoid placing any obstacles adjacent to the air outlet.
- If the air conditioner produces any abnormal sound, consult with your dealer.

Maintenance and inspection

- If the air conditioner is used throughout several seasons, the insides can get dirty, reducing the performance.

Depending upon the conditions of usage, foul odors can be generated and drainage can deteriorate due to dust and dirt, etc.

8. Specifications

PLFY-P-VLMD-A series

Item	Model	P20VLMD-A	P25VLMD-A	P32VLMD-A	P40VLMD-A	P50VLMD-A
Power source		~220-240V 50Hz				
Cooling capacity*1 / Heating capacity*1	kW	2.2/2.5	2.8/3.2	3.6/4.0	4.5/5.0	5.6/6.3
Dimension*2	Height	338 (8)	338 (8)	338 (8)	338 (8)	338 (8)
	Width	768 (1,060)	768 (1,060)	768 (1,060)	1,008 (1,300)	1,008 (1,300)
	Depth	606 (670)	606 (670)	606 (670)	606 (670)	606 (670)
Net weight	kg	24 (7)	24 (7)	25 (7)	33.5 (8)	35 (8)
Fan Airflow rate (Low-Middle2-Middle1-High)	m ³ /min	6.0-6.5-7.3-8.0	6.0-6.5-7.3-8.0	6.5-7.0-7.8-8.5	9.0-10.5-11.5-12.5	10.0-11.0-12.0-13.0
Noise level (Low-Middle2-Middle1-High)	dB(A)	28-30-33-35	28-30-33-35	29-31-34-36	29-32-34-36	32-34-36-38
Filter		Long life filter				

Item	Model	P63VLMD-A	P80VLMD-A	P100VLMD-A	P125VLMD-A
Power source		~220-240V 50Hz			
Cooling capacity*1 / Heating capacity*1	kW	7.1/8.0	9.0/10.0	11.2/12.5	14.0/16.0
Dimension*2	Height	338 (8)	338 (8)	338 (8)	338 (8)
	Width	1,358 (1,650)	1,358 (1,650)	1,708 (2,000)	1,708 (2,000)
	Depth	606 (670)	606 (670)	606 (670)	606 (670)
Net weight	kg	39 (10)	39 (10)	56 (11.5)	56 (11.5)
Fan Airflow rate (Low-Middle2-Middle1-High)	m ³ /min	13.0-14.0-16.0-18.0	15.0-17.0-19.0-21.0	21.0-23.0-26.0-29.0	24.0-27.0-30.0-33.0
Noise level (Low-Middle2-Middle1-High)	dB(A)	32-34-37-39	36-38-41-43	37-39-41-43	40-42-44-46
Filter		Long life filter			

PEFY-P-VML-A series

Item	Model	P20VML-A	P25VML-A	P32VML-A
Power source		~220-240V 50/60Hz		
Cooling capacity*1 / Heating capacity*1	kW	2.2/2.5	2.8/3.2	3.6/4.0
Dimension	Height / Width / Depth	225/720/550	225/720/550	225/720/550
Net weight	kg	18	18	18
Fan	Airflow rate (Low-Middle-High)	5.4-6.5-7.9	5.4-6.5-7.9	6.0-7.5-9.5
	External static pressure	Pa	5	5
Noise level (Low-Middle-High)	dB(A)	29-33-36	29-33-36	30-35-40
Filter		Standard filter		

Notes: *1 Cooling/Heating capacity indicates the maximum value at operation under the following condition.

Cooling: Indoor: 27 °C DB/19 °C WB

Outdoor: 35 °C DB

Heating: Indoor: 20 °C DB

Outdoor: 7 °C DB/6 °C WB

*2 The figure in () indicates panel's.

PEFY-P-VMM-A series

Item	Model	P20VMM-A	P25VMM-A	P32VMM-A	P40VMM-A	P50VMM-A
Power source		~220-240V 50Hz				
Cooling capacity*1 / Heating capacity*1	kW	2.2/2.5	2.8/3.2	3.6/4.0	4.5/5.0	5.6/6.3
Dimension	Height / Width / Depth	295/815/700	295/815/700	295/815/700	295/935/700	295/935/700
Net weight	kg	27	27	27	33	33
Fan	Airflow rate (Low-Middle-High)	m ³ /min	6.0-7.2-8.5	6.0-7.2-8.5	7.5-9.0-10.5	10.0-12.0-14.0
	External static pressure*2	Pa	30/50/100	30/50/100	30/50/100	30/50/100
Noise level (Low-Middle-High)	dB(A)	27-30-32	27-30-32	28-32-35	31-34-37	31-35-38
Filter		Standard filter				

Item	Model	P63VMM-A	P71VMM-A	P80VMM-A
Power source		~220-240V 50Hz		
Cooling capacity*1 / Heating capacity*1	kW	7.1/8.0	8.0/9.0	9.0/10.0
Dimension	Height / Width / Depth	295/1,175/700	295/1,175/700	295/1,175/700
Net weight	kg	42	42	42
Fan	Airflow rate (Low-Middle-High)	m ³ /min	13.5-16.2-19.0	14.5-18.0-21.0
	External static pressure*2	Pa	30/50/100	30/50/100
Noise level (Low-Middle-High)	dB(A)	31-35-38	32-36-39	32-36-39
Filter		Standard filter		

Item	Model	P100VMM-A	P125VMM-A	P140VMM-A
Power source		~220-240V 50Hz		
Cooling capacity*1 / Heating capacity*1	kW	11.2/12.5	14.0/16.0	16.0/18.0
Dimension	Height / Width / Depth	325/1,415/740	325/1,415/740	325/1,715/740
Net weight	kg	62	65	70
Fan	Airflow rate (Low-High)	m ³ /min	23.0-33.0	28.0-40.0
	External static pressure*2	Pa	50/130	50/130
Noise level (Low-High)	dB(A)	40-44	42-45	42-45
Filter		Standard filter		

PEFY-P-VMH-A series

Item	Model	P40VMH-A	P50VMH-A	P63VMH-A	P71VMH-A	P80VMH-A
Power source		~220-240V 50/60Hz				
Cooling capacity*1 / Heating capacity*1	kW	4.5/5.0	5.6/6.3	7.1/8.0	8.0/9.0	9.0/10.0
Dimension	Height / Width / Depth	380/750/900	380/750/900	380/750/900	380/1,000/900	380/1,000/900
Net weight	kg	44	44	45	50	50
Fan	Airflow rate (Low-High)	m ³ /min	10.0-14.0	10.0-14.0	13.5-19.0	15.5-22.0
	External static pressure*3	Pa	50/100/200	50/100/200	50/100/200	50/100/200
		230, 240 V	100/150/200	100/150/200	100/150/200	100/150/200
Noise level (Low-High)	dB(A)	220 V	27-34	27-34	32-38	32-39
	230, 240 V	31-37	31-37	36-41	35-41	38-43
Filter		Long life filter (option)				

Item	Model	P100VMH-A	P125VMH-A	P140VMH-A
Power source		~220-240V 50/60Hz		
Cooling capacity*1 / Heating capacity*1	kW	11.2/12.5	14.0/16.0	16.0/18.0
Dimension	Height / Width / Depth	380/1,200/900	380/1,200/900	380/1,200/900
Net weight	kg	70	70	70
Fan	Airflow rate (Low-High)	m ³ /min	26.5-38.0	26.5-38.0
	External static pressure*3	Pa	50/100/200	50/100/200
		230, 240 V	100/150/200	100/150/200
Noise level (Low-High)	dB(A)	220 V	34-42	34-42
	230, 240 V	38-44	38-44	38-44
Filter		Long life filter (option)		

Item	Model	P200VMH-A	P250VMH-A
Power source		3N~380-415V 50/60Hz	
Cooling capacity*1 / Heating capacity*1	kW	22.4/25.0	28.0/31.5
Dimension	Height / Width / Depth	470/1,250/1,120	470/1,250/1,120
Net weight	kg	100	100
Fan	Airflow rate	m ³ /min	58.0
	External static pressure*4	Pa	110/220
		400, 415V	130/260
Noise level	dB(A)	380V	42
	400, 415V	44	52
Filter		Long life filter (option)	

Notes: *1 Cooling/Heating capacity indicates the maximum value at operation under the following condition.

Cooling: Indoor: 27 °C DB/19 °C WB Outdoor: 35 °C DB

Heating: Indoor: 20 °C DB Outdoor: 7 °C DB/6 °C WB

*2 The external static pressure is set to 50 Pa at factory shipment.

*3 The external static pressure is set to 100 Pa (at 220 V)/150 Pa (at 230, 240 V) at factory shipment.

*4 The external static pressure is set to 220 Pa (at 380 V)/260 Pa (at 400, 415 V) at factory shipment.

PFFY-P-VLEM-A/PFFY-P-VLRM-A series

Item	Model	P20VLEM-A	P25VLEM-A	P32VLEM-A	P40VLEM-A	P50VLEM-A	P63VLEM-A
Power source		~220-240V 50Hz / ~208V-230V 60Hz					
Cooling capacity*1 / Heating capacity*1	kW	2.2/2.5	2.8/3.2	3.6/4.0	4.5/5.0	5.6/6.3	7.1/8.0
Dimension	Height / Width / Depth	mm	630/1,050/220	630/1,050/220	630/1,170/220	630/1,170/220	630/1,410/220
Net weight		kg	23	23	25	26	30
Fan	Airflow rate (Low-High)	m ³ /min	5.5-6.5	5.5-6.5	7.0-9.0	9.0-11.0	12.0-14.0
Noise level (Low-High)*5		dB(A)	34-40	34-40	35-40	38-43	40-46
Filter		Standard filter					

Item	Model	P20VLRM-A	P25VLRM-A	P32VLRM-A	P40VLRM-A	P50VLRM-A	P63VLRM-A
Power source		~220-240V 50Hz / ~208V-230V 60Hz					
Cooling capacity*1 / Heating capacity*1	kW	2.2/2.5	2.8/3.2	3.6/4.0	4.5/5.0	5.6/6.3	7.1/8.0
Dimension	Height / Width / Depth	mm	639/886/220	639/886/220	639/1,006/220	639/1,006/220	639/1,246/220
Net weight		kg	18.5	18.5	20	21	25
Fan	Airflow rate (Low-High)	m ³ /min	5.5-6.5	5.5-6.5	7.0-9.0	9.0-11.0	12.0-14.0
Noise level (Low-High)*5		dB(A)	34-40	34-40	35-40	38-43	40-46
Filter		Standard filter					

PDFY-P-VM-A series

Item	Model	P20VM-A	P25VM-A	P32VM-A	P40VM-A	P50VM-A
Power source		~220-240V 50Hz / ~220V 60Hz				
Cooling capacity*1/Heating capacity*1	kW	2.2/2.5	2.8/3.2	3.6/4.0	4.5/5.0	5.6/6.3
Dimension*2	Height	mm	295 (58)	295 (58)	295 (58)	295 (58)
	Width	mm	710 (790)	710 (790)	710 (790)	960 (1,040)
	Depth	mm	735 (600)	735 (600)	735 (600)	735 (600)
Net weight		kg	25.5 (5)	25.5 (5)	27 (5)	32 (6)
Fan	Airflow rate (Low-Middle2-Middle1-High)	m ³ /min	6.0-6.5-7.5-8.5	6.0-6.5-7.5-8.5	6.0-6.5-7.5-8.5	10.0-11.0-12.5-14.0
	External static pressure*3	Pa	30/50/100	30/50/100	30/50/100	30/50/100
Noise level (Low-Middle2-Middle1-High)*4		dB(A)	28-30-33-36	28-30-33-36	28-30-33-36	34-36-37-39
Filter		Long life filter				

Item	Model	P63VM-A	P71VM-A	P80VM-A	P100VM-A	P125VM-A
Power source		~220-240V 50Hz / ~220V 60Hz				
Cooling capacity*1/Heating capacity*1	kW	7.1/8.0	8.0/9.0	9.0/10.0	11.2/12.5	14.5/16.3
Dimension*2	Height	mm	295 (58)	295 (58)	295 (58)	335 (58)
	Width	mm	1,160 (1,240)	1,160 (1,240)	1,160 (1,240)	1,510 (1,590)
	Depth	mm	735 (600)	735 (600)	735 (600)	775 (600)
Net weight		kg	39 (7)	39 (7)	39 (7)	52 (8.5)
Fan	Airflow rate (Low-Middle2-Middle1-High)	m ³ /min	12.5-14.0-16.0-18.0	13.5-15.5-17.5-19.5	14.5-16.5-18.5-21.0	19.5-28.0
	External static pressure*3	Pa	30/50/100	30/50/100	30/50/100	50/100/130
Noise level (Low-Middle2-Middle1-High)*4		dB(A)	30-34-36-39	32-35-37-40	34-37-40-42	34-42 <37-44>
Filter		Long life filter				

Notes: *1 Cooling/Heating capacity indicates the maximum value at operation under the following condition.

Cooling:Indoor: 27 °C DB/19 °C WB Outdoor: 35 °C DB
 Heating:Indoor: 20 °C DB Outdoor: 7 °C DB/6 °C WB

*2 The figure in () indicates panel's.

*3 The external static pressure is set to 50 Pa at factory shipment.

*4 The figure in < > indicates noise level at 240 V/50 Hz.

Operation temperature

Cooling mode: 15 °C WB - 24 °C WB

Heatingmode: 15 °C DB - 27 °C DB

*5 The figures represent a 240 V/50 Hz unit measured at a point which is 1 m away from the front of the unit and at a height of 1 m from the floor.

The noise is approximately 1 dB(A) less for a 230 V unit and approximately 2 dB(A) less for a 220 V unit. The noise is approximately 3 dB(A) less when the measurement point is 1.5 m away from the front of the unit and at a height of 1.5 m from the floor.

This product is designed and intended for use in the residential, commercial and light-industrial environment.

The product at hand is based on the following EU regulations:

- Low Voltage Directive 73/23/EEC
- Electromagnetic Compatibility Directive 89/336/EEC

Please be sure to put the contact address/telephone number on this manual before handing it to the customer.