

# **SERVICE PARTS LIST FOR MITSUBISHI ELECTRIC PACKAGED AIR-CONDITIONERS**

**Series PDFY-P-VM-A**

**Feb. 2001**

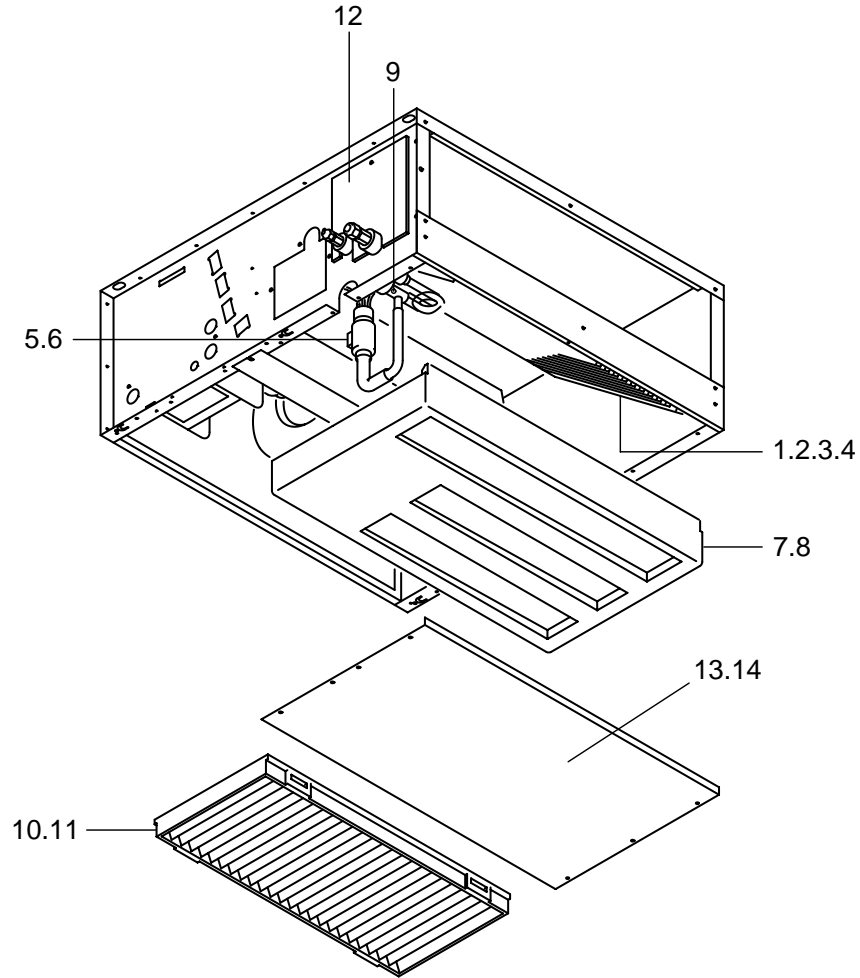
## **INDEX**

**P D F Y - P 2 0 , 2 5 , 3 2 , 4 0 , 5 0 V M - A**

**P D F Y - P 6 3 , 7 1 , 8 0 V M - A**

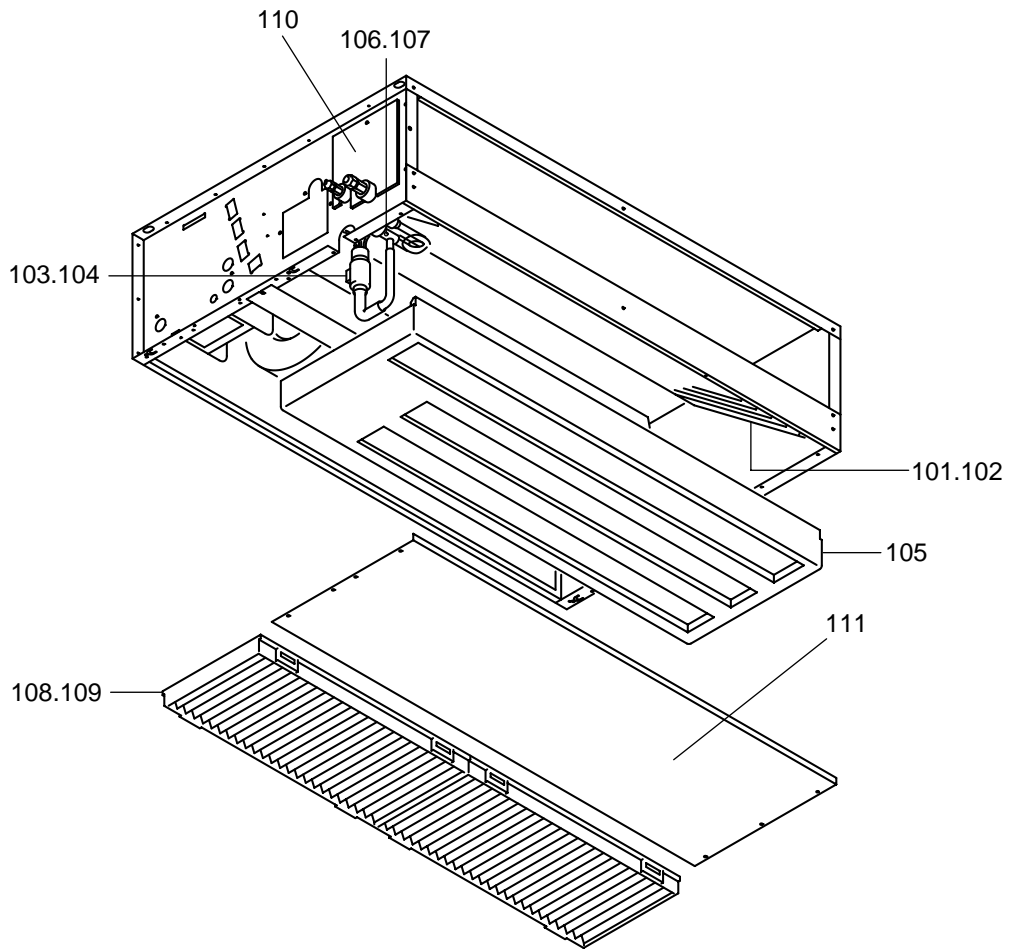
**P D F Y - P 1 0 0 , 1 2 5 V M - A**

PDFY-P20,25,32,40,50VM-A  
EXTERNAL PARTS



No.	Part No.	Part Name	Dwg. No.	Q'ty / Set					Spec.	Price
				-P20 VM-A	-P25 VM-A	-P32 VM-A	-P40 VM-A	-P50 VM-A		
1	R61 Y58 480	Heat exchanger ass'y	W264387G08	1	1					
2	R61 Y59 480	Heat exchanger ass'y	W264387G09			1				
3	R61 Y60 480	Heat exchanger ass'y	W264387G10				1			
4	R61 Y61 480	Heat exchanger ass'y	W264387G04					1		
5	R61 358 203	Thermistor (gas)	P425458X02	1	1	1	1	1	<TH23>	
6	R61 358 202	Thermistor (liquid)	P425459X02	1	1	1	1	1	<TH22>	
7	R61 Y11 529	Drain pan	W256135G16	1	1	1				
8	R61 Y12 529	Drain pan	W256135G17				1	1		
9	R61 358 401	Linear expansion valve	P632255X01	1	1	1	1	1	(EDM-402)<LEV>	
10	R61 K66 500	Long life filter	P717602X02	1	1	1				
11	R61 K66 501	Long life filter	P717603X02				2	2		
12	R61 H65 667	cover 2	W850425G01	1	1	1	1	1		
13	R61 389 661	Bottom plate	W849589H01	1	1	1				
14	R61 H66 661	Bottom plate	W849589H02				1	1		

PDFY-P63,71,80VM-A  
EXTERNAL PARTS

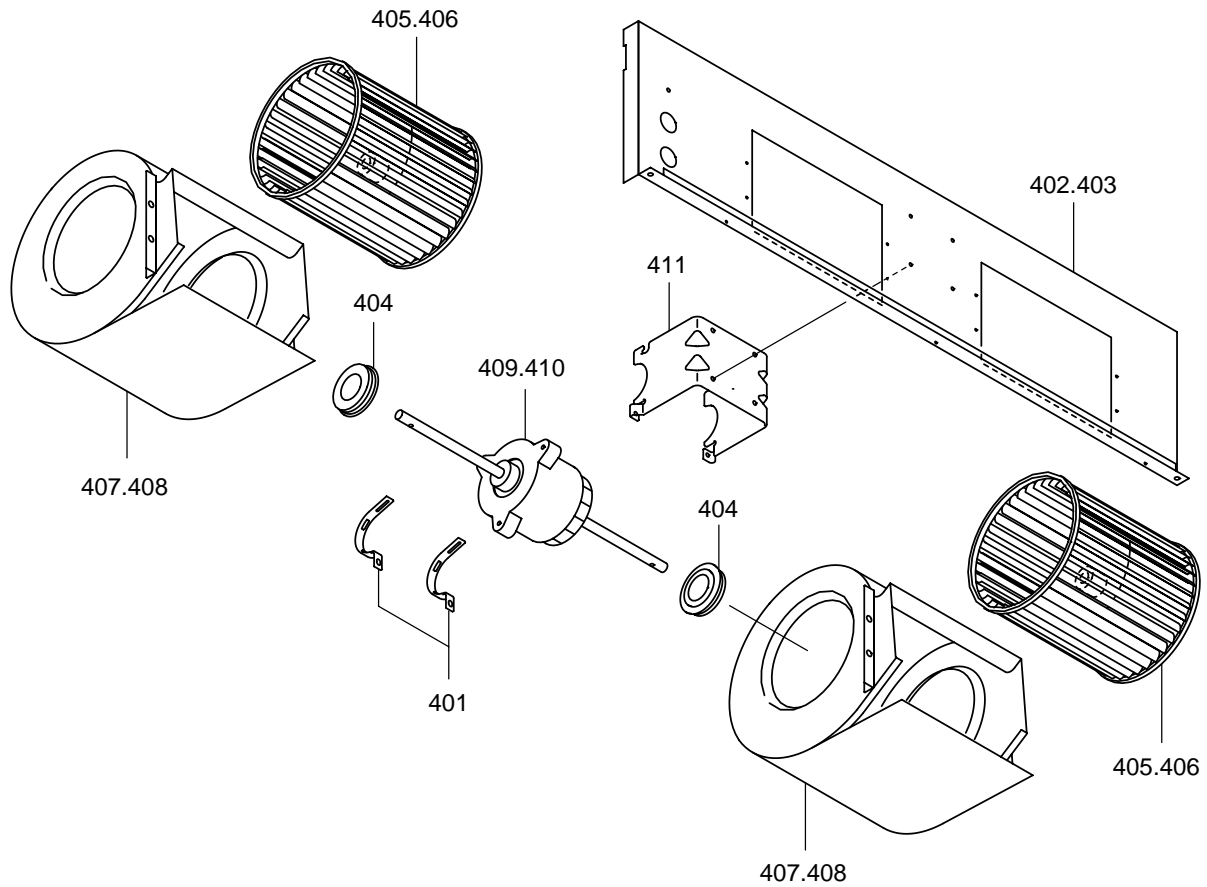


No.	Part No.	Part Name	Dwg. No.	Q'ty / Set				Spec.	Price
				-P63 VM-A	-P71 VM-A	-P80 VM-A			
101	R61 Y62 480	Heat exchanger ass'y	W264387G05	1					
102	R61 Y63 480	Heat exchanger ass'y	W264387G07		1	1			
103	R61 358 203	Thermistor (gas)	P425458X02	1	1	1	<TH23>		
104	R61 358 202	Thermistor (liquid)	P425459X02	1	1	1	<TH22>		
105	R61 Y13 529	Drain pan	W256135G18	1	1	1			
106	R61 358 401	Linear expansion valve	P632255X01	1			(EDM-402)<LEV>		
107	R61 361 401	Linear expansion valve	P632257X01		1	1	(EDM-804)<LEV>		
108	R61 K66 501	Long life filter	P717603X02	1	1	1	(449X280)		
109	R61 K66 500	Long life filter	P717602X02	1	1	1	(649X280)		
110	R61 H65 667	cover 2	W850425G01	1	1	1			
111	R61 H67 661	Bottom plate	W849589H03	1	1	1			



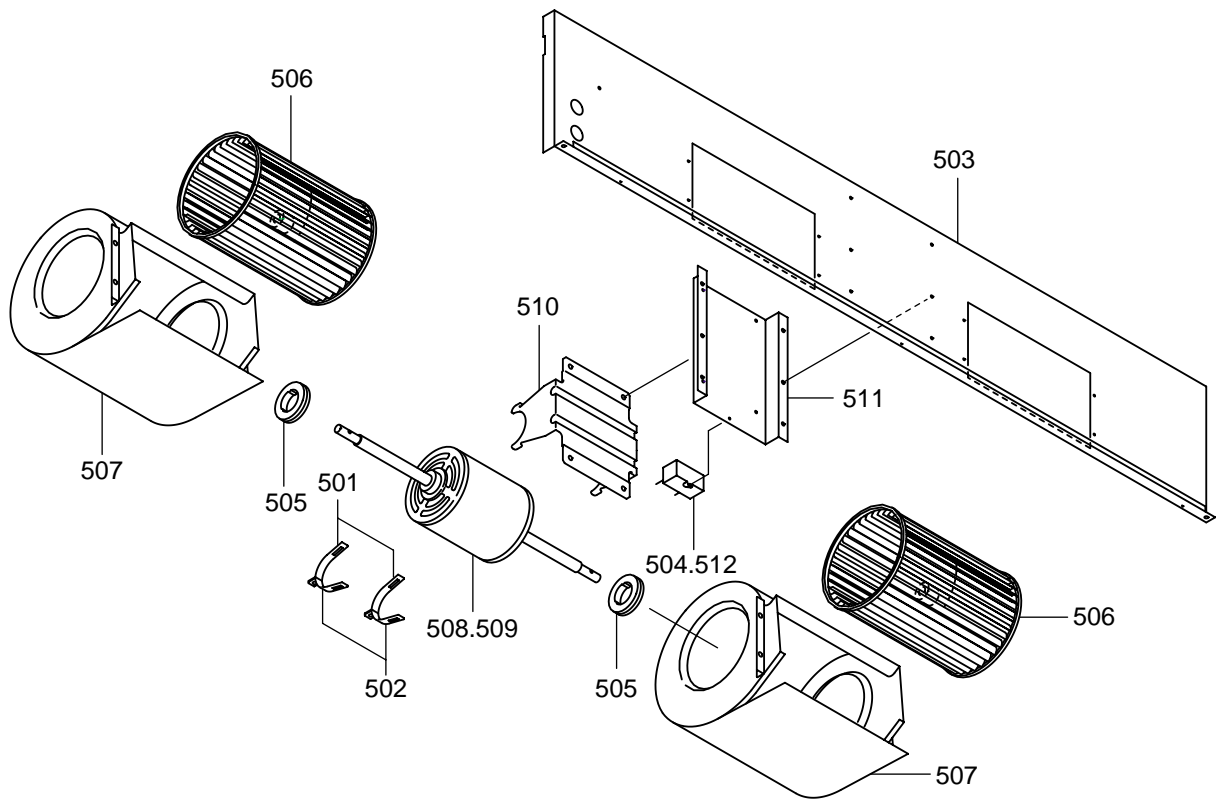


PDFY-P40,50,63,71,80VM-A  
BLOWER PARTS



No.	Part No.	Part Name	Dwg. No.	Qty / Set					Spec.	Price
				-P40 VM-A	-P50 VM-A	-P63 VM-A	-P71 VM-A	-P80 VM-A		
401	R61 652 131	Fixing plate	W353715H01	2	2	2	2	2		
402	R61 Y12 140	Fan stand 56	W631855H01	1	1					
403	R61 Y13 140	Fan stand 90	W631854H01			1	1	1		
404	R61 979 104	Rubber bush	W843446H02	2	2	2	2	2		
405	R61 G22 114	Sirocco fan	W122296G01	2	2				(18-18PL)	
406	R61 G21 114	Sirocco fan	W122297G01			2	2	2	(18-23PL)	
407	R61 979 110	Fan casing	P712236X01	2	2				(18-18PL)	
408	R61 975 110	Fan casing	P712237X01			2	2	2	(18-23PL8)	
409	R61 979 220	Motor	P714079X02	1	1				(D104P85MW)<MF>	
410	R61 980 220	Motor	P714078X02			1	1	1	(D104P95MW)<MF>	
411	R61 975 130	Motor support	W252768H01	1	1	1	1	1		

PDFY-P100,125VM-A  
BLOWER PARTS



No.	Part No.	Part Name	Dwg. No.	Q'ty / Set				Spec.	Price
				-P100 VM-A	-P125 VM-A				
501	R60 507 131	Fixing plate	R02F328H09	2	2				
502	R60 507 132	Fixing plate	R02F328G84	2	2			(with nut)	
503	R61 Y11 140	Fan stand 140	W631856H01	1	1				
504	R61 F79 252	condenser 5	P412214X01	1				(5μF440VAC)<C>	
505	R61 755 104	Rubber bush	R31F676H01	2	2				
506	R61 Y01 114	Sirocco fan	P712189X02	2	2			(20-23L)	
507	R61 397 110	Fan casing	P712196X01	2	2			(20-23L)	
508	R61 Y18 221	Motor	P714641X02	1					
509	R61 Y19 221	Motor	P714642X02		1				
510	R61 772 130	Leg	R02G131H07	1	1				
511	R61 Y16 140	Motor stand	W873582G01	1	1				
512	R61 Y10 252	Condenser 8	P412225X01		1			(8μF440VAC)<C>	









