

# **SERVICE PARTS LIST FOR MITSUBISHI ELECTRIC PACKAGED AIR-CONDITIONERS**

**Series PEFY-P -VHM-A**

REVISED  
**June. 2003**

## **INDEX**

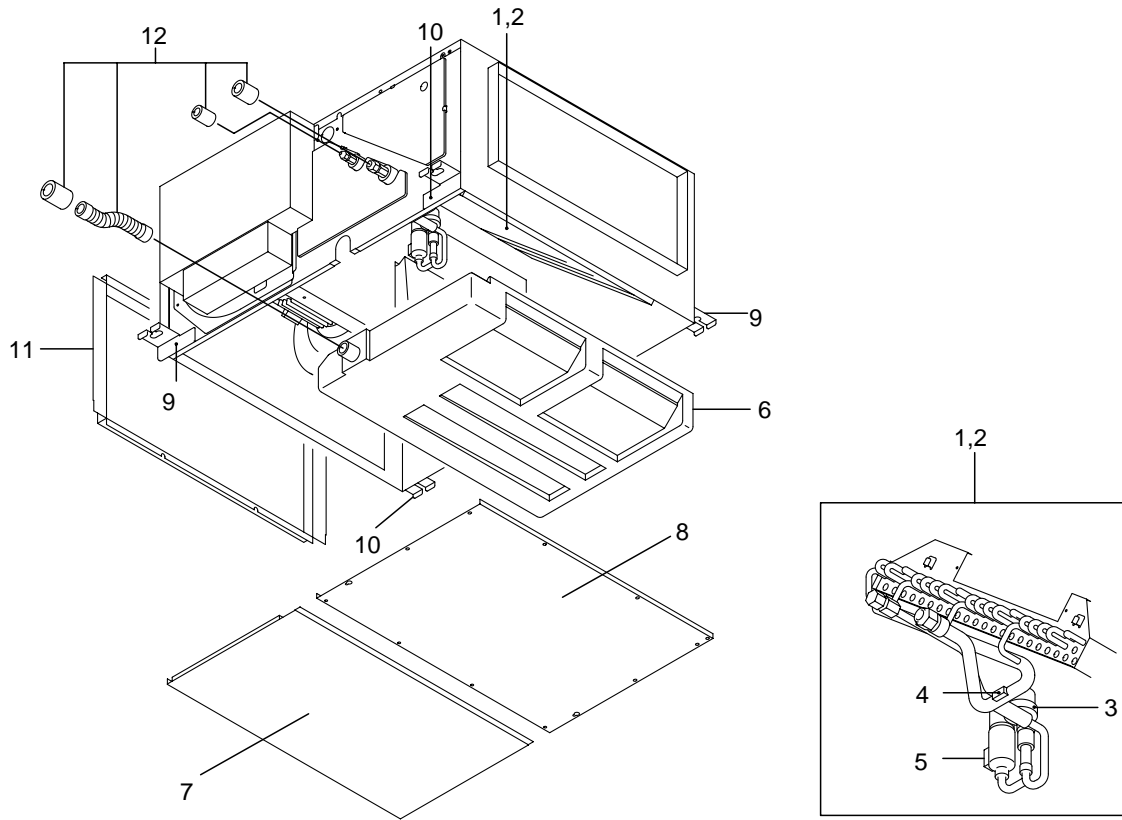
**PEFY-P40, P50, P63VMH-A**

**PEFY-P71, P80VMH-A**

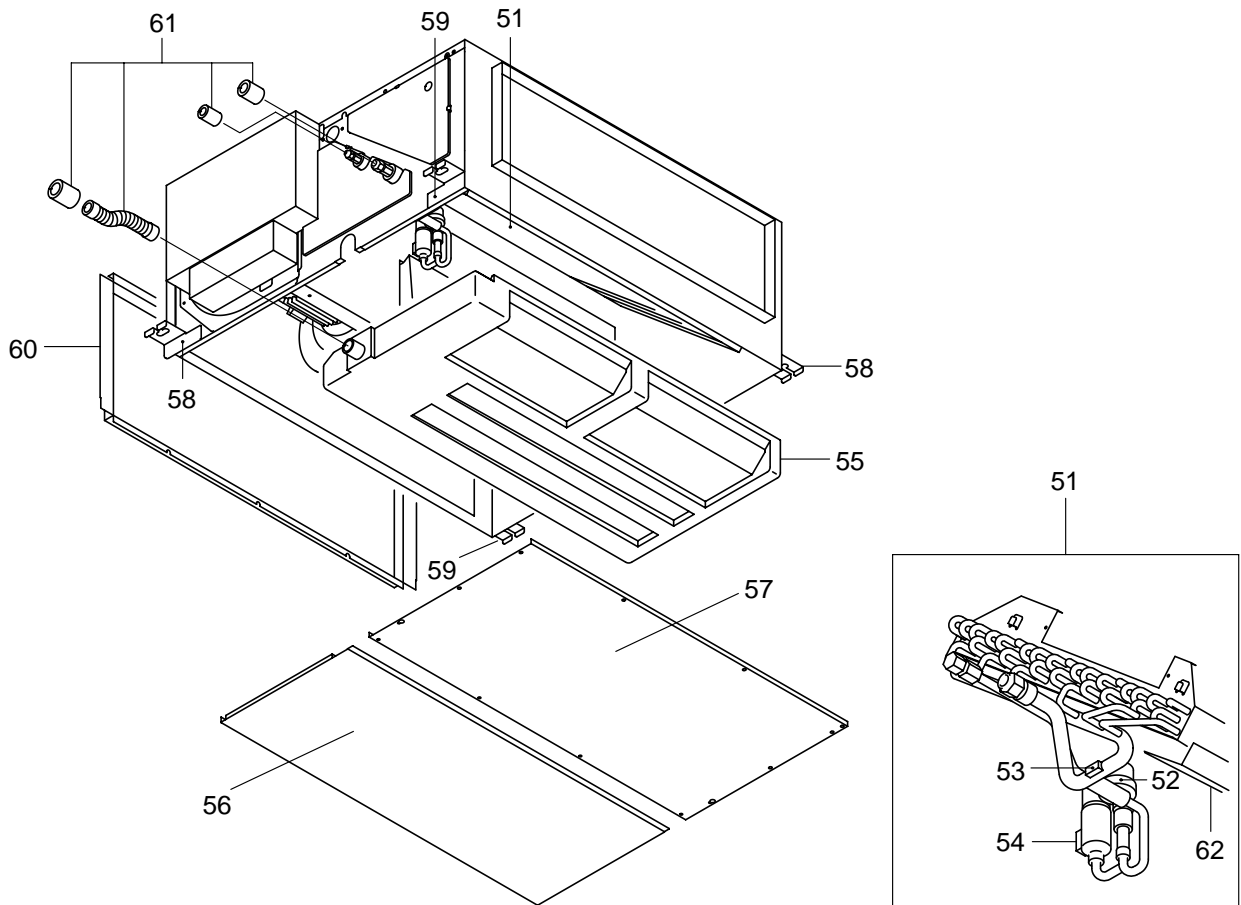
**PEFY-P100, P125, P140VMH-A**

**PEFY-P200, P250VMH-A**

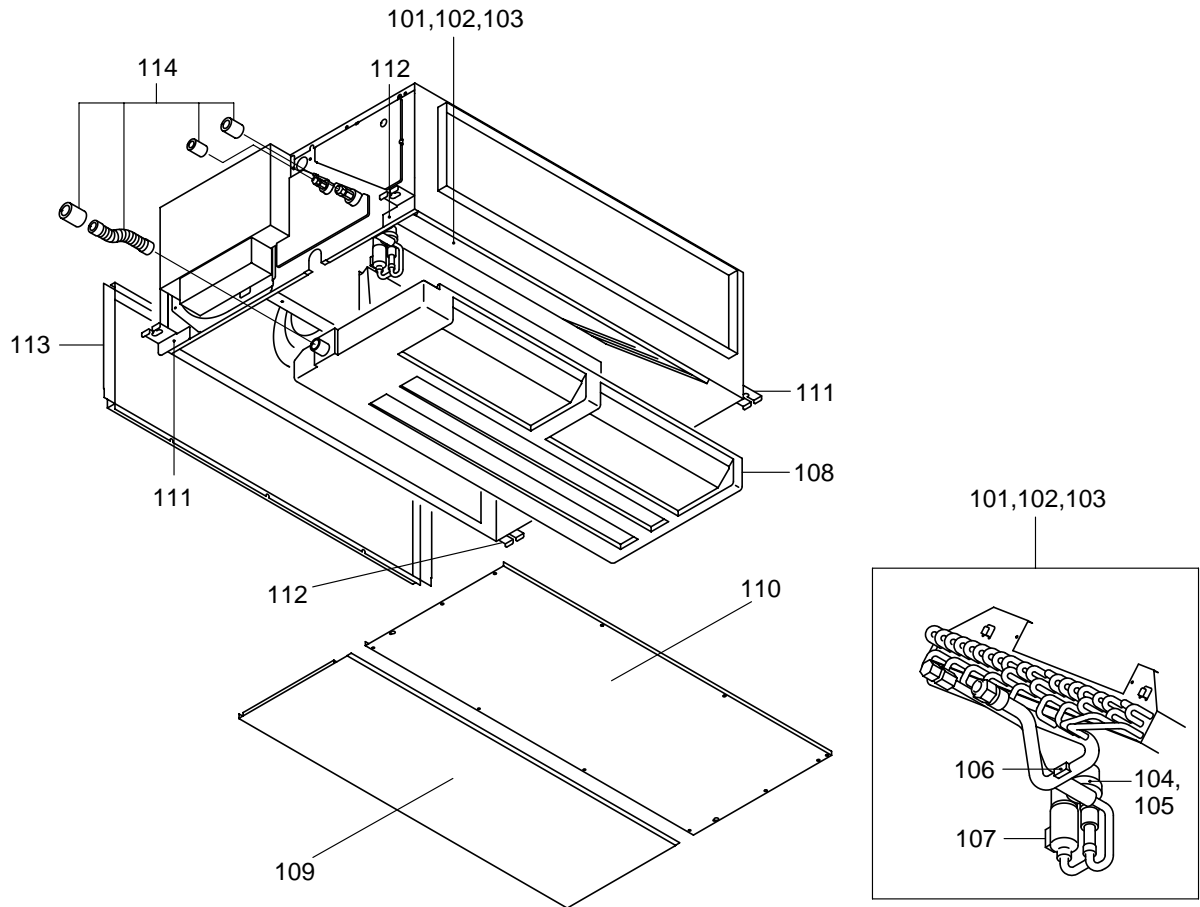




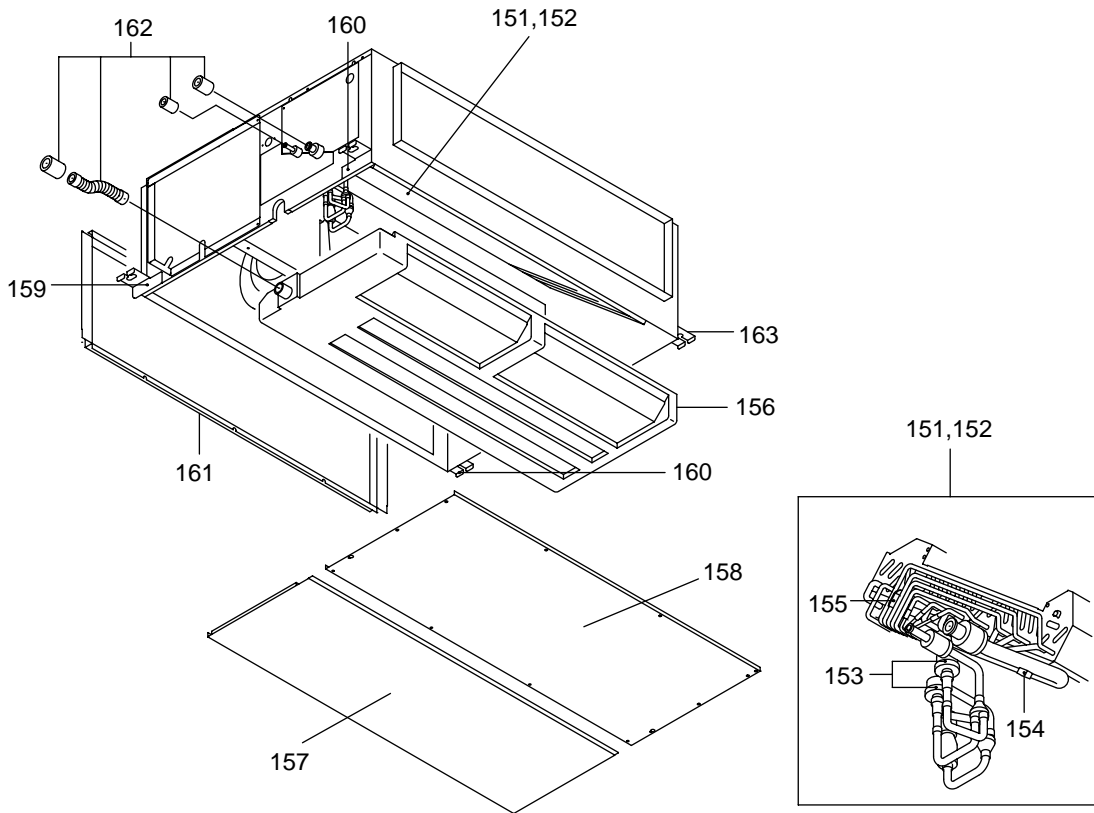
No.	Part No.	Part Name	Spec.				Dwg. No.	Price
				-P40VMH-A	-P50VMH-A	-630VMH-A		
1	R61 F92 480	Heat exchanger ass'y P45		1			W263072G42	
2	R61 F93 480	Heat exchanger ass'y P56			1	1	W263072G43	
3	R61 358 401	Linear expansion valve	EDM-402	1	1	1	P632255X01	
4	R61 358 203	Thermistor	<TH23>	1	1	1	P425458X02	
5	R61 358 202	Thermistor	<TH22>	1	1	1	P425459X02	
6	R61 F85 529	Drain pan71		1	1	1	W122290G07	
7	R61 F85 661	Bottom plate ass'y 45		1	1	1	W627491G04	
8	R61 F92 661	Bottom plate A45 ass'y		1	1	1	W628696G01	
9	R61 F85 326	Hanging metal fittings D		2	2	2	W398771H03	
10	R61 F86 326	Hanging metal fittings D		2	2	2	W398771H04	
11	R61 F85 457	Flange ass'y 45		1	1	1	W627459G01	
12	R61 F85 525	Drain hose set		1	1	1	P645065X01	



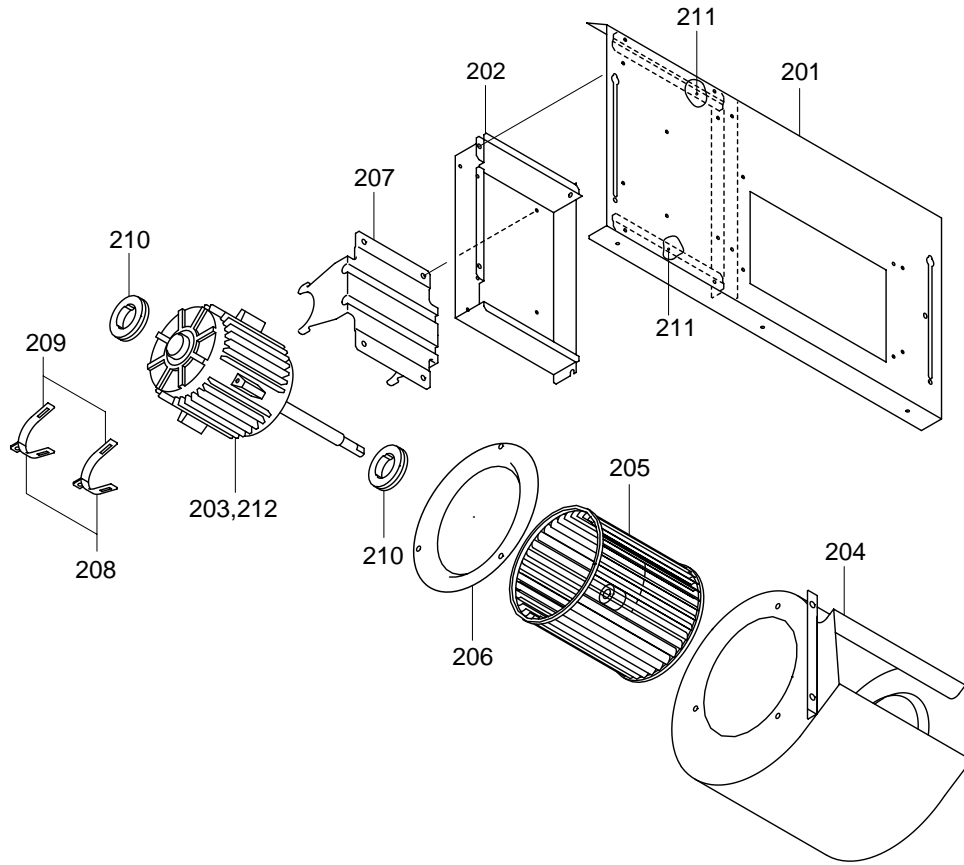
No.	Part No.	Part Name	Spec.	-P71VMH-A	-P80VMH-A					Dwg. No.	Price
51	R61 F94 480	Heat exchanger ass'y P80		1	1					W263072G44	
52	R61 361 401	Linear expansion valve	EDM-804	1	1					P632257X01	
53	R61 358 203	Thermistor	<TH23>	1	1					P425458X02	
54	R61 358 202	Thermistor	<TH22>	1	1					P425459X02	
55	R61 F88 529	Drain pan 90		1	1					W122290G08	
56	R61 F88 661	Bottom plate ass'y 80		1	1					W627491G05	
57	R61 F94 661	Bottom plate A80 ass'y		1	1					W628696G02	
58	R61 F85 326	Hanging metal fittings D		2	2					W398771H03	
59	R61 F86 326	Hanging metal fittings D		2	2					W398771H04	
60	R61 F88 457	Flange ass'y 80		1	1					W627459G02	
61	R61 F85 525	Drain hose set		1	1					P645065X01	
62	R61 F88 667	Partition board		1	1					W868141G01	



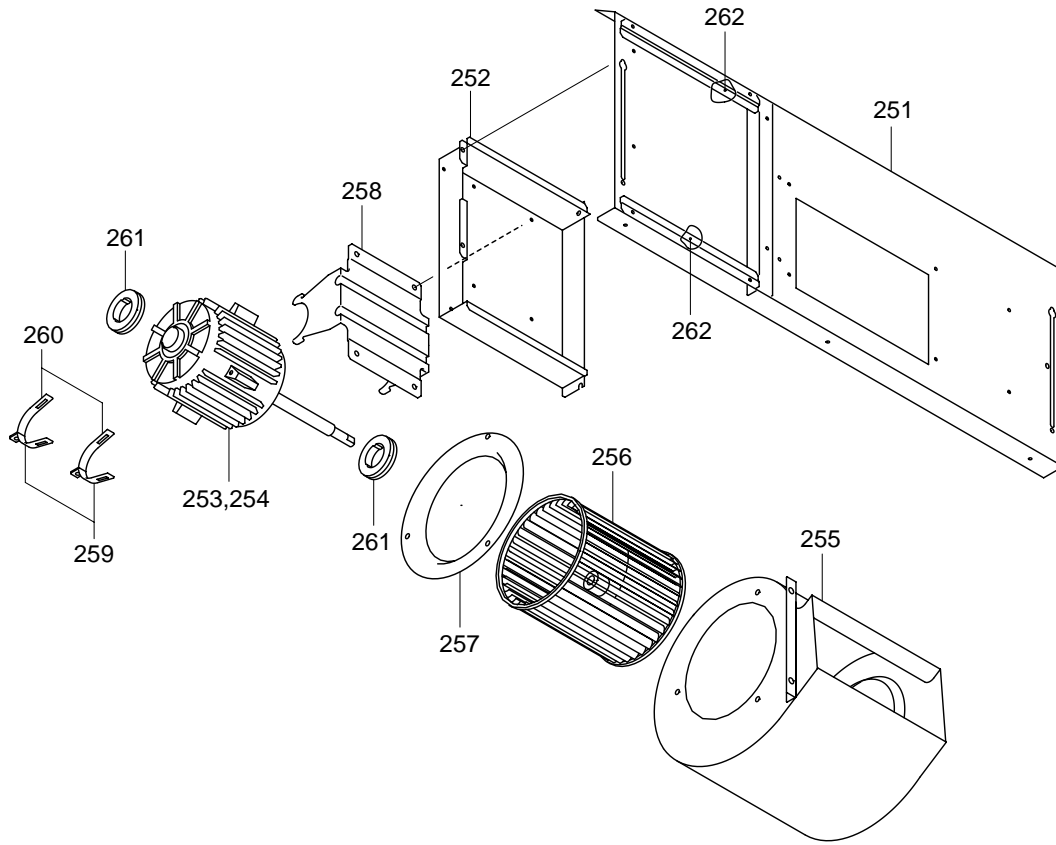
No.	Part No.	Part Name	Spec.	-P100VMH-A	-P125VMH-A	-P140VMH-A				Dwg. No.	Price
101	R61 F95 480	Heat exchanger ass'y P112		1						W263072G45	
102	R61 F96 480	Heat exchanger ass'y P140			1					W263072G46	
103	R61 G87 480	Heat exchanger ass'y P160				1				W263072G36	
104	R61 361 401	Linear expansion valve	EDM-804	1	1					P632257X01	
105	R61 364 401	Linear expansion valve	EDM-1004			1				P632259X01	
106	R61 358 203	Thermistor	<TH23>	1	1	1				P425458X02	
107	R61 358 202	Thermistor	<TH22>	1	1	1				P425459X02	
108	R61 F90 529	Drain pan 140		1	1	1				W122290G09	
109	R61 F90 661	Bottom plate ass'y112		1	1	1				W627491G06	
110	R61 F95 661	Bottom plate A112 ass'y		1	1	1				W628696G03	
111	R61 F85 326	Hanging metal fittings D		2	2	2				W398771H03	
112	R61 F86 326	Hanging metal fittings D		2	2	2				W398771H04	
113	R61 F90 457	Flange ass'y 112		1	1	1				W627459G03	
114	R61 F85 525	Drain hose set		1	1	1				P645065X01	



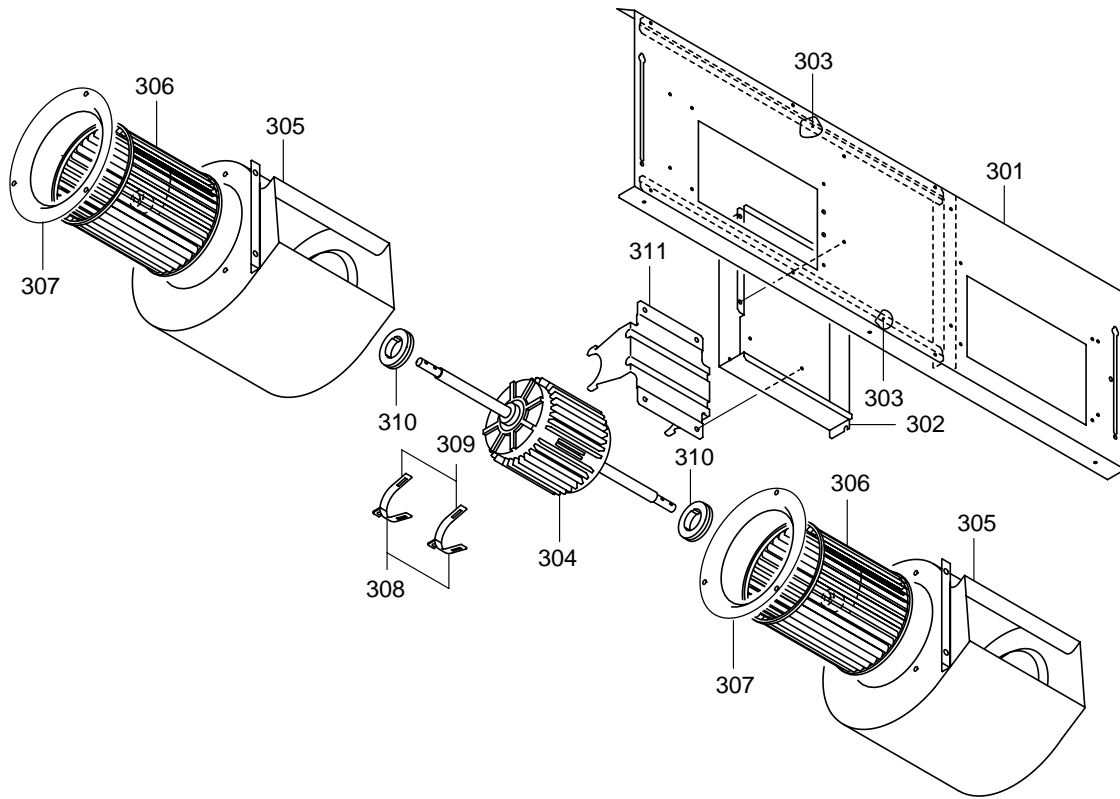
No.	Part No.	Part Name	Spec.	-P200VMH-A	-P250VMH-A					Dwg. No.	Price
151	R61 Y01 481	Heat exchanger ass'y P224		1						W268110G03	
152	R61 Y02 481	Heat exchanger ass'y P280			1					W268110G04	
153	R61 361 401	Linear expansion valve	EDM-804	2	2					P632257X01	
154	R61 358 203	Thermistor		1	1					P425458X02	
155	R61 358 202	Thermistor		1	1					P425459X02	
156	R61 H42 529	Drain pan 224		1	1					W125114G01	
157	R61 H42 661	Bottom plate ass'y 224		1	1					W627491G07	
158	R61 H43 661	Bottom plate A224 ass'y		1	1					W628696G04	
159	R61 F85 326	Hanging metal fittings D		1	1					W398771H03	
160	R61 F86 326	Hanging metal fittings D		2	2					W398771H04	
161	R61 H42 457	Flange ass'y		1	1					W630285G01	
162	R61 H20 525	Drain hose set		1	1					P645068X01	
163	R61 H42 326	Hanging metal fittings		1	1					W871827G01	



No.	Part No.	Part Name	Spec.	-P40VMH-A	-P50VMH-A	-P63VMH-A	Dwg. No.	Price
201	R61 F85 140	Fan stand 45		1	1	1	W263051H03	
202	R61 Y15 140	Motor stand		1	1	1	W627910H05	
203	R61 Y24 221	Motor P63H				1	P714693X02	
204	R61 F85 110	Fan casing		1	1	1	W122291G01	
205	R61 F85 114	Sirocco fan		1	1	1	W122292G02	
206	R61 F85 119	Bell mouth		1	1	1	W866104H01	
207	R61 772 130	Leg		1	1	1	R02G131H07	
208	R60 507 131	Fixing plate		2	2	2	R02F328H09	
209	R60 507 132	Fixing plate(with the nut)		2	2	2	R02F328G84	
210	R61 755 104	Rubber bush		2	2	2	R31F676H01	
211	R61 F85 573	Guide 71		2	2	2	W866123H01	
212	R61 Y27 221	Motor	P40H	1	1		P714692X02	

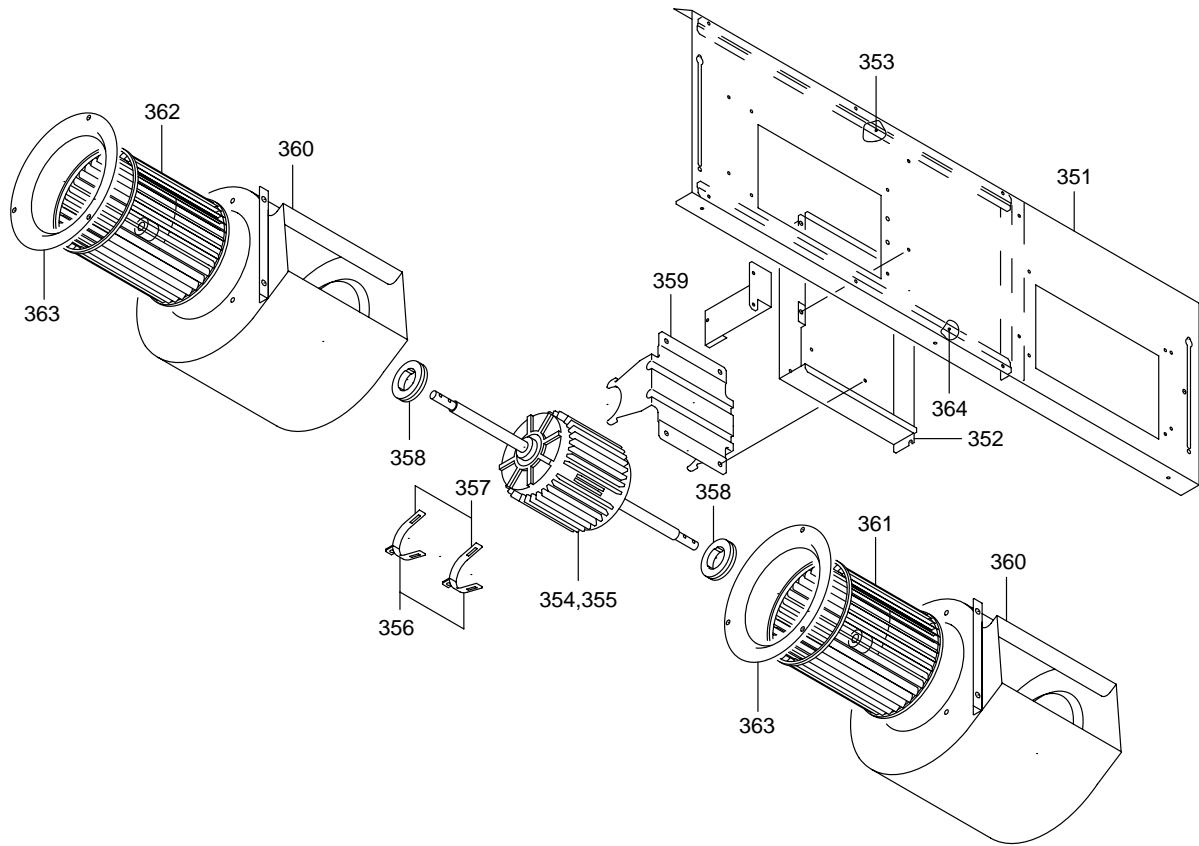


No.	Part No.	Part Name	Spec.	-P71VMH-A	-P80VMH-A					Dwg. No.	Price
251	R61 F88 140	Fan stand 80		1	1					W263052H03	
252	R61 F85 133	Motor stand		1	1					W627464H05	
253	R61 Y25 221	Motor P71H		1						P714694X02	
254	R61 Y26 221	Motor P80H			1					P714695X02	
255	R61 F85 110	Fancasing		1	1					W122291G01	
256	R61 F85 114	Sirocco fan		1	1					W122292G02	
257	R61 F85 119	Bell mouth		1	1					W866104H01	
258	R61 772 130	Leg		1	1					R02G131H07	
259	R60 507 131	Fixing plate		2	2					R02F328H09	
260	R60 507 132	Fixing plate(with the nut)		2	2					R02F328G84	
261	R61 755 104	Rubber bush		2	2					R31F676H01	
262	R61 F88 573	Guide 80		2	2					W866123H02	

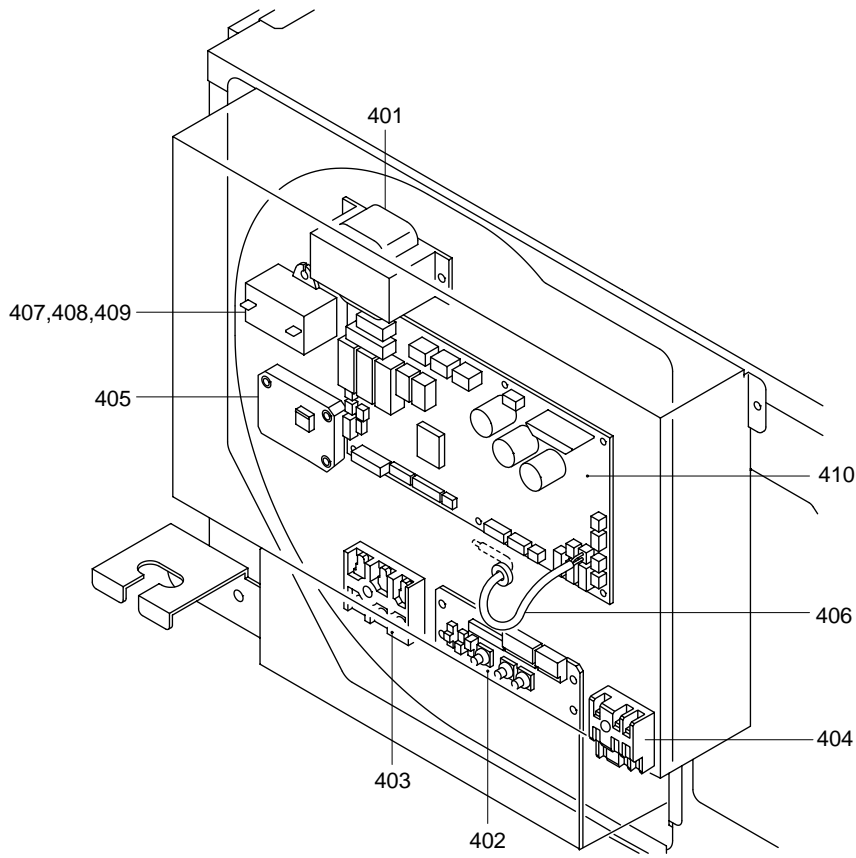


No.	Part No.	Part Name	Spec.				Dwg. No.	Price
				-P100VMH-A	-P125VMH-A	-P140VMH-A		
301	R61 G86 140	Fan stand 112		1	1	1	W263037H04	
302	R61 F85 133	Motor stand		1	1	1	W627464H05	
303	R61 F90 573	Guide 112		2	2	2	W866123H03	
304	R61 Y28 221	Motor	P100H	1	1	1	P714696X02	
305	R61 F85 110	Fan casing		2	2	2	W122291G01	
306	R61 F85 114	Sirocco fan		2	2	2	W122292G02	
307	R61 F85 119	Bell mouth		2	2	2	W866104H01	
308	R60 508 131	Fixing plate		2	2	2	R02K338H02	
309	R60 508 132	Fixing plate(with the nut)		2	2	2	R02K338G82	
310	R61 Y01 104	Rubber bush		2	2	2	W860050H02	
311	R60 508 130	Leg		1	1	1	R02L922H02	



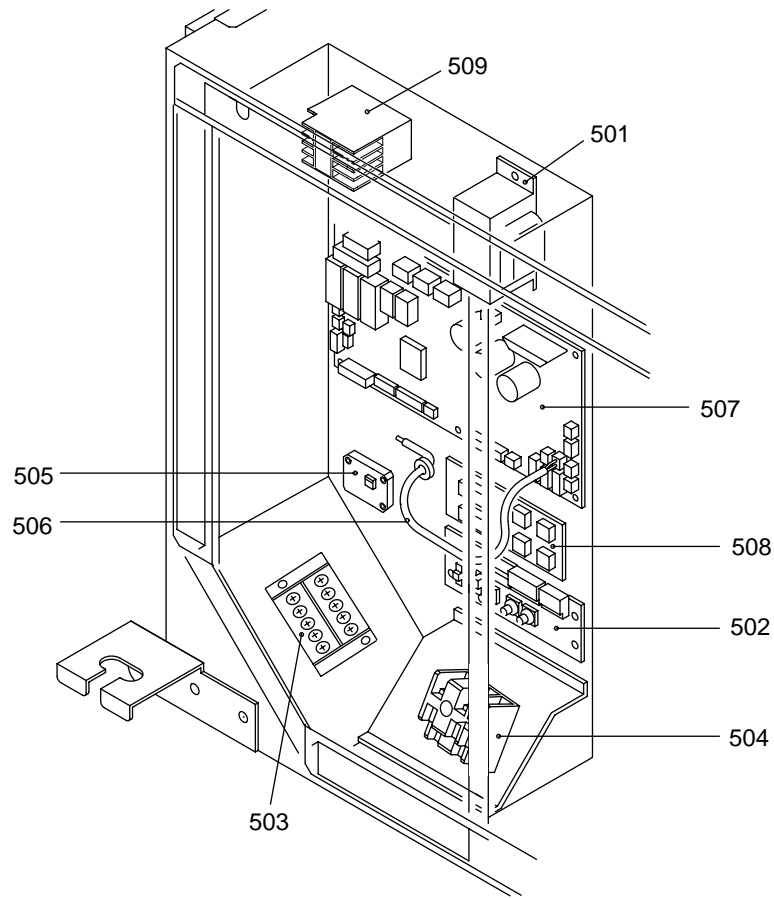


No.	Part No.	Part Name	Spec.	-P200VMH-A	-P250VMH-A					Dwg. No.	Price
351	R61 H42 140	Fan stand		1	1					W631853G01	
352	R61 H42 133	Motor stand		1	1					W630282H04	
353	R61 H42 573	Guide		1	1					W866123H04	
354	R61 Y29 221	Motor		1						P714679X01	
355	R61 Y30 221	Motor			1					P714680X01	
356	R60 508 131	Fixing plate		2	2					R02K338H02	
357	R60 508 132	Fixing plate(with the nut)		2	2					R02K338G82	
358	R61 Y01 104	Rubber bush		2	2					W860050H02	
359	R60 508 130	Leg		1	1					R02L922H02	
360	R61 H20 110	Fan casing		2	2					W264318G01	
361	R60 311 114	Sirocco fan ass'y		1	1					R00C723G85	
362	R60 311 115	Sirocco fan ass'y	P40H	1	1					R00C723G86	
363	R61 249 119	Bell mouth		2	2					R02F474H03	
364	R61 H43 573	Guide 224		1	1					W866123H05	



No.	Part No.	Part Name	Spec.					Dwg. No.	Price
				-P40VMH-A	-P50VMH-A	-P63VMH-A	-P71VMH-A		
401	R61 Y08 260	Transformer	240/23.5V-0.9A VH	1	1	1	1	P715268X02	
402	R61 Y77 280	Board ass'y AD		1	1	1	1	W849036G06	
403	R61 Y08 715	Terminal bed	<TB2>	1	1	1	1	P436157X01	
404	R61 336 246	Terminal bed	<TB5>,<TB15>	1	1	1	1	P436114X03	
405	R61 Y22 280	Board ass'y FP-DSA		1	1	1	1	W848419G01	
406	R61 373 202	Thermistor		1	1	1	1	P425455X01	
407	R61 E65 252	Condenser 3UF	440AC	1	1			P412204X01	
408	R61 Y08 252	Condenser 4UF				1		P412209X01	
409	R61 F79 252	Condenser 5UF					1	P412214X01	
410	R61 Y78 280	Board ass'y RY		1	1	1	1	W849036G05	





No.	Part No.	Part Name	Spec.	-P200VMH-A	-P250VMH-A					Dwg. No.	Price
501	R61 Y08 260	Transformer	240/23.5V-0.9A VH	1	1					P715268X02	
502	R61 Y77 280	Board ass'y AD		1	1					W849036G06	
503	R61 Y05 246	Terminal bed	LVD	1	1					P436151X01	
504	R61 336 246	Terminal bed	LVD	1	1					P436114X03	
505	R61 Y22 280	Board ass'y FP-DSA		1	1					W848419G01	
506	R61 373 202	Thermistor		1	1					P425455X01	
507	R61 Y78 280	Board ass'y RY		1	1					W849036G05	
508	R61 350 280	LEV adaptor board ass'y		1	1					W601714G02	
509	R61 Y02 226	Solenoid switch	MSO-N11AR	1	1					S427019H02	

