

TECHNICAL & SERVICE MANUAL

Series **PLFY** Ceiling Cassettes **R407C** / **R22**

Indoor unit

[Model names]

PLFY-P32VKM-A

PLFY-P40VKM-A

PLFY-P50VKM-A

PLFY-P63VKM-A

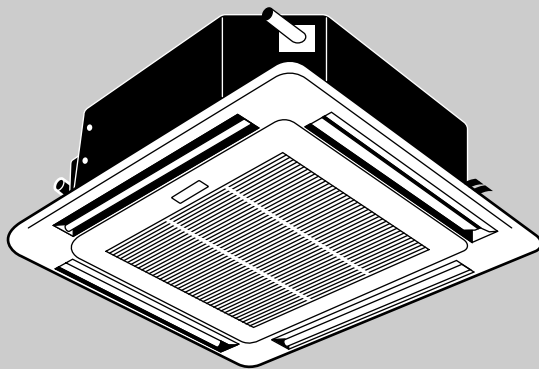
[Service Ref.]

PLFY-P32VKM-A.UK

PLFY-P40VKM-A.UK

PLFY-P50VKM-A.UK

PLFY-P63VKM-A.UK



INDOOR UNIT

CONTENTS

1. SAFETY PRECAUTION.....	3
2. PART NAMES AND FUNCTIONS	5
3. SPECIFICATION	7
4. OUTLINES AND DIMENSIONS	9
5. WIRING DIAGRAM	10
6. REFRIGERANT SYSTEM DIAGRAM.....	11
7. TROUBLE SHOOTING	12
8. DISASSEMBLY PROCEDURE	17
9. PARTS LIST.....	20
10. OPTIONAL PARTS	Back cover

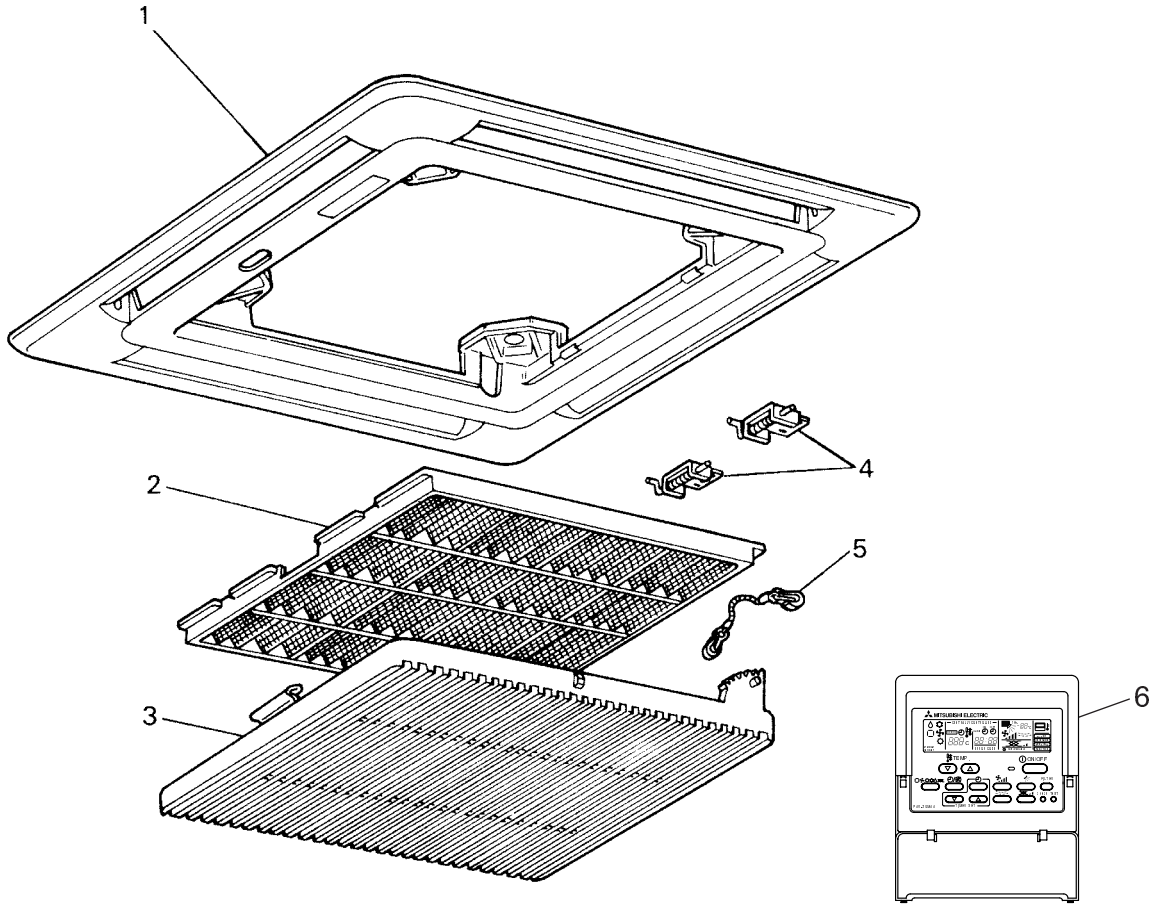
PANEL PARTS

PLFY-P32VKM-A.UK

PLFY-P40VKM-A.UK

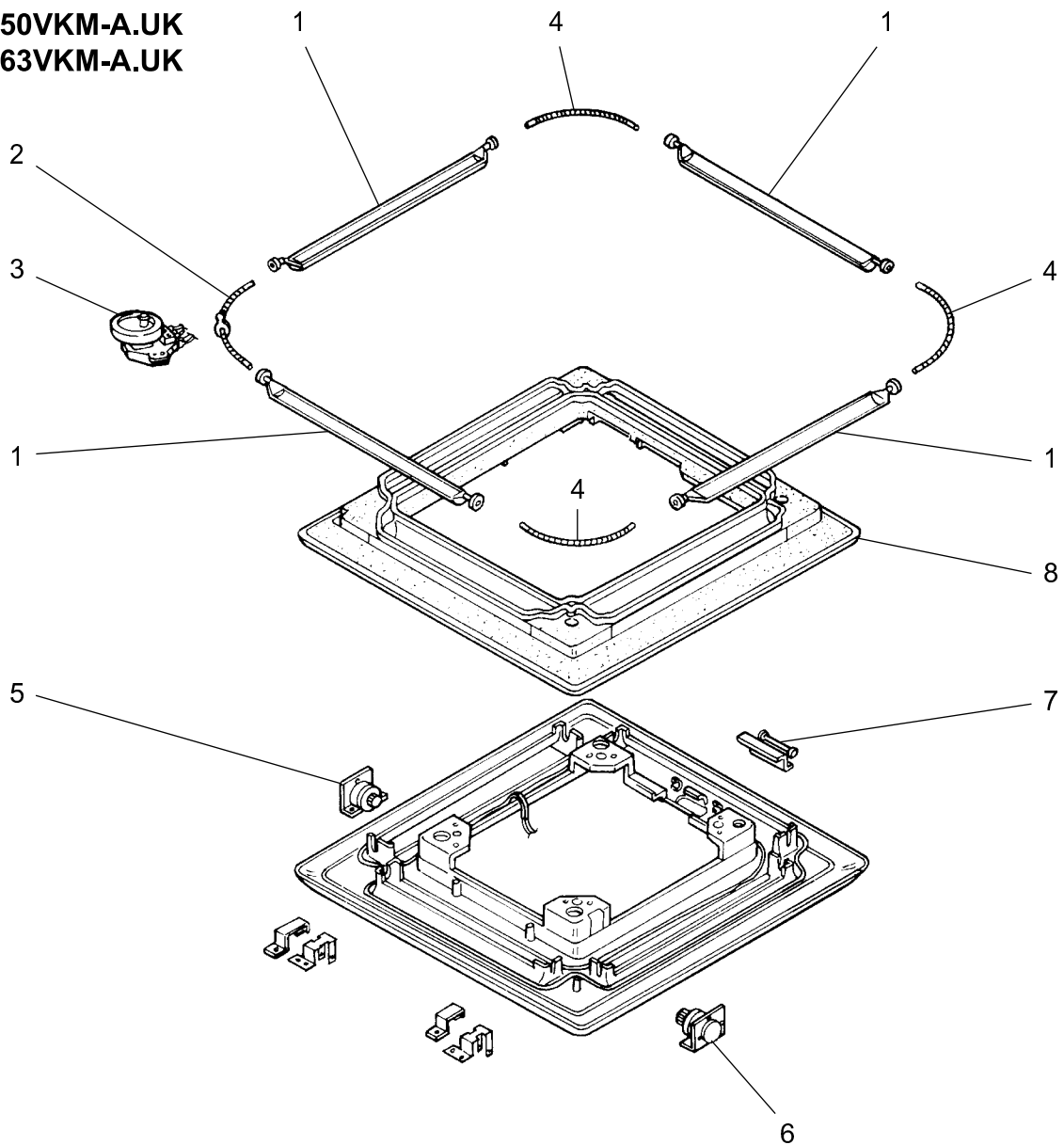
PLFY-P50VKM-A.UK

PLFY-P63VKM-A.UK



No.	Part No.	Part Name	Specification	Q'ty/set	Remarks (Drawing No.)	Wiring Diagram Symbol	Recom- mended Q'ty	Price	
				PLFY-P32/P40/ P50/P63				Unit	Amount
				VKM-A.UK					
1	S70 29H 003	AIR OUTLET GRILLE		1					
2	S70 29H 500	AIR FILTER		1					
3	S70 29H 691	INTAKE GRILLE		1					
4	S70 29H 061	HINGE		2					
5	S70 29H 098	GRILLE HANGER		1					
6	S70 030 713	MA-REMOTE CONTROLLER	65WRC5	1	<PAR-20MAA>	R.B			

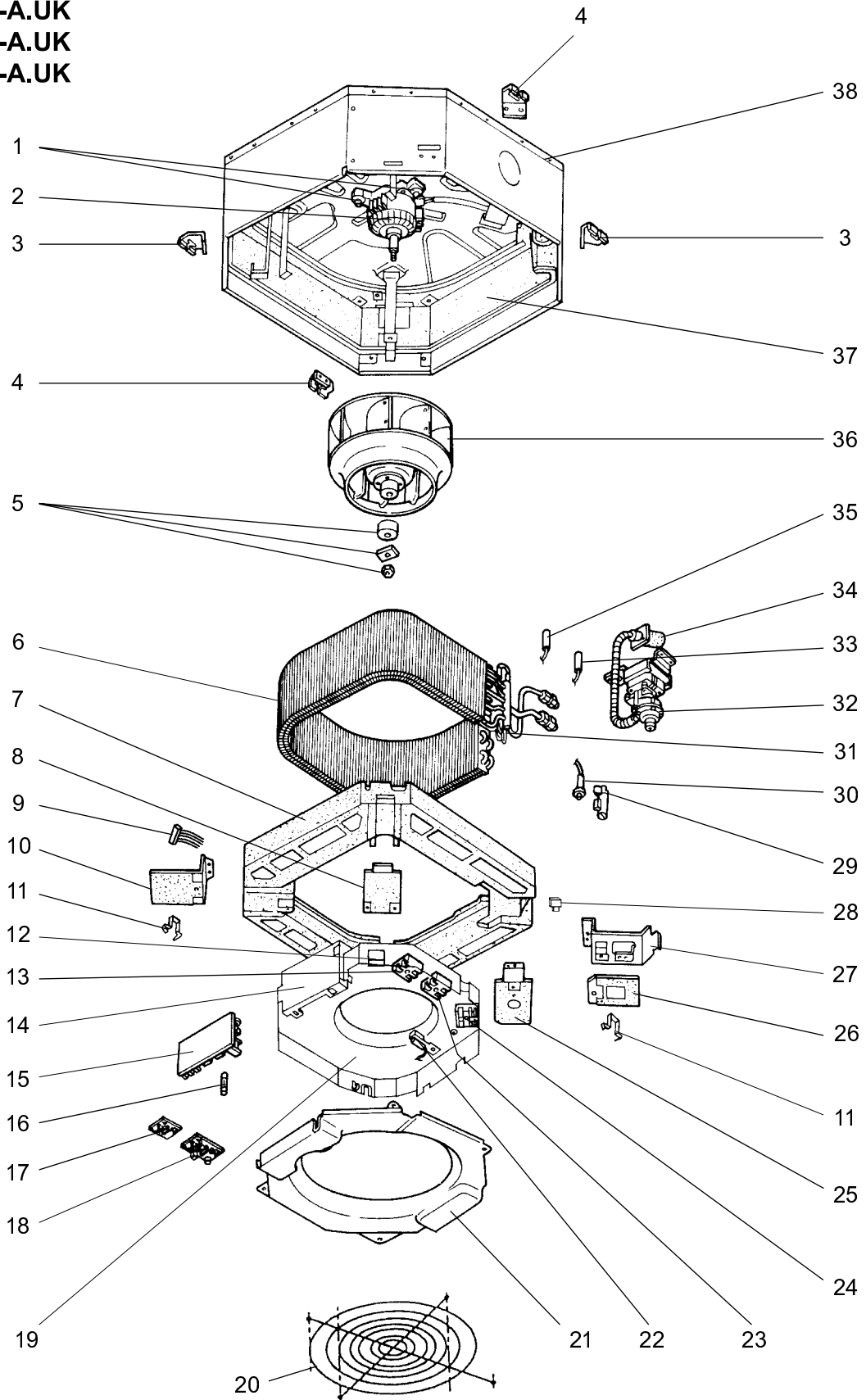
PANEL PARTS
PLFY-P32VKM-A.UK
PLFY-P40VKM-A.UK
PLFY-P50VKM-A.UK
PLFY-P63VKM-A.UK



Part number that is circled is not shown in the figure.

No.	Part No.	Part Name	Specification	Q'ty/set	Remarks (Drawing No.)	Wiring Diagram Symbol	Recom- mended Q'ty	Price	
				PLFY-P32/P40 /P50/P63 VKM-A.UK				Unit	Amount
1	S70 29H 002	AUTO VANE		4					
2	S70 31H 063	SPRING JOINT 2		1					
3	S70 29H 223	VANE MOTOR		1		MV			
4	S70 29H 063	SPRING JOINT 1		1	<3/SET>				
5	S70 29H 041	GRILLE GEAR LEFT		1					
6	S70 29H 040	GRILLE GEAR RIGHT		1					
7	S70 29H 056	PUSH BUTTON		1					
8	S70 29H 085	AIR GUIDE		1					
⑨	S70 29H 049	LID (UP)		1					

FUNCTIONAL PARTS
PLFY-P32VKM-A.UK
PLFY-P40VKM-A.UK
PLFY-P50VKM-A.UK
PLFY-P63VKM-A.UK



No.	Part No.	Part Name	Specification	Q'ty/set				Remarks (Drawing No.)	Wiring Diagram Symbol	Recom- mended Q'ty	Price	
				PLFY- · VKM-A.UK							Unit	Amount
				P32	P40	P50	P63					
1	S70 001 133	MOTOR MOUNT		3	3	3	3					
2	S70 E00 762	FAN MOTOR	PA1-30VF	1	1	1	1		MF			
3	S70 100 130	LEG		2	2	2	2					
4	S70 101 130	LEG		2	2	2	2					
5	S70 001 097	NUT/WASHER/CAP		1	1	1	1					
6	S70 12B 480	HEAT EXCHANGER		1	1							
	S70 14B 480	HEAT EXCHANGER				1						
	S70 15B 480	HEAT EXCHANGER					1					
7	S70 A00 529	DRAIN PAN		1	1	1	1					
8	S70 002 660	CORNER SUPPORT(2)		1	1	1	1					
9	S70 E02 304	ADDRESS CABLE		1	1	1	1					
10	S70 001 660	CORNER SUPPORT(1)		1	1	1	1					
11	S70 001 099	PANEL HOOKS		2	2	2	2	(PART OF GRILLE)				
12	S70 29H 255	FAN MOTOR CAPACITOR	2.5 μ F 400V	1	1	1	1		C			
13	S70 521 716	POWER SUPPLY TERMINAL BLOCK	(L, N, \oplus)	1	1	1	1		TB2			
14	S70 001 656	B.BOX PLATE ASSY		1	1	1	1					
15	S70 080 310	INDOOR CONTROLLER BOARD		1					I.B			
	S70 090 310	INDOOR CONTROLLER BOARD			1				I.B			
	S70 100 310	INDOOR CONTROLLER BOARD				1			I.B			
	S70 110 310	INDOOR CONTROLLER BOARD					1		I.B			
16	S70 001 239	FUSE	250V 6.3A	1	1	1	1	(PART OF BOARD)	FUSE			
17	S70 05B 294	ADDRESS BOARD		1	1	1	1		A.B			
18	S70 E02 313	POWER BOARD		1	1	1	1		P.B			
19	S70 003 501	ELECTRICAL PARTS COVER		1	1	1	1					
20	S70 A00 675	FAN GUARD		1	1	1	1					
21	S70 002 502	BELL MOUTH		1	1	1	1					
22	S70 E10 202	ROOM TEMPERATURE THERMISTOR		1	1	1	1		TH21			
23	S70 512 716	REMOTE CONTROLLER TERMINAL BLOCK	P2 (1,2)	1	1	1	1		TB15			
24	S70 B02 716	TRANSMISSION TERMINAL BLOCK	(M1, M2, S)	1	1	1	1		TB5			
25	S70 003 660	CORNER SUPPORT(3)		1	1	1	1					
26	S70 001 657	VA COVER ASSY		1	1	1	1					
27	S70 004 660	CORNER SUPPORT(4)		1	1	1	1					
28	S70 A48 524	DRAIN PLUG		1	1	1	1					
29	S70 006 533	SENSOR HOLDER		1	1	1	1					
30	S70 31K 266	DRAIN SENSOR		1	1	1	1		DS			
31	S70 12A 401	LINEAR EXPANSION VALVE		1	1	1	1		LEV			
32	S70 55K 355	DRAIN PUMP		1	1	1	1		DP			
33	S70 060 202	GAS PIPE THERMISTOR		1	1	1	1		TH23			
34	S70 29H 523	DRAIN SOCKET		1	1	1	1					
35	S70 12B 202	LIQUID PIPE THERMISTOR		1	1	1	1		TH22			
36	S70 41N 114	TURBO FAN		1	1	1	1					
37	S70 001 659	INNER COVER		1	1	1	1					
38	S70 002 687	BASE		1	1	1	1					

10**OPTIONAL PARTS****10-1. Multi function casement**

Part No.	PAC-SE21TM-E
----------	--------------

10-2. Air outlet shutter plate

Part No.	PAC-SE14SP-E
----------	--------------

10-3. High efficiency filter (PAC-SE21TM-E is required in using this optional part.)

Part No.	PAC-SE13KF-E
----------	--------------

10-4. Wide panel

Part No.	PAC-SE06WP-E
----------	--------------

10-5. Space panel

Part No.	PAC-SE01AS-E
----------	--------------